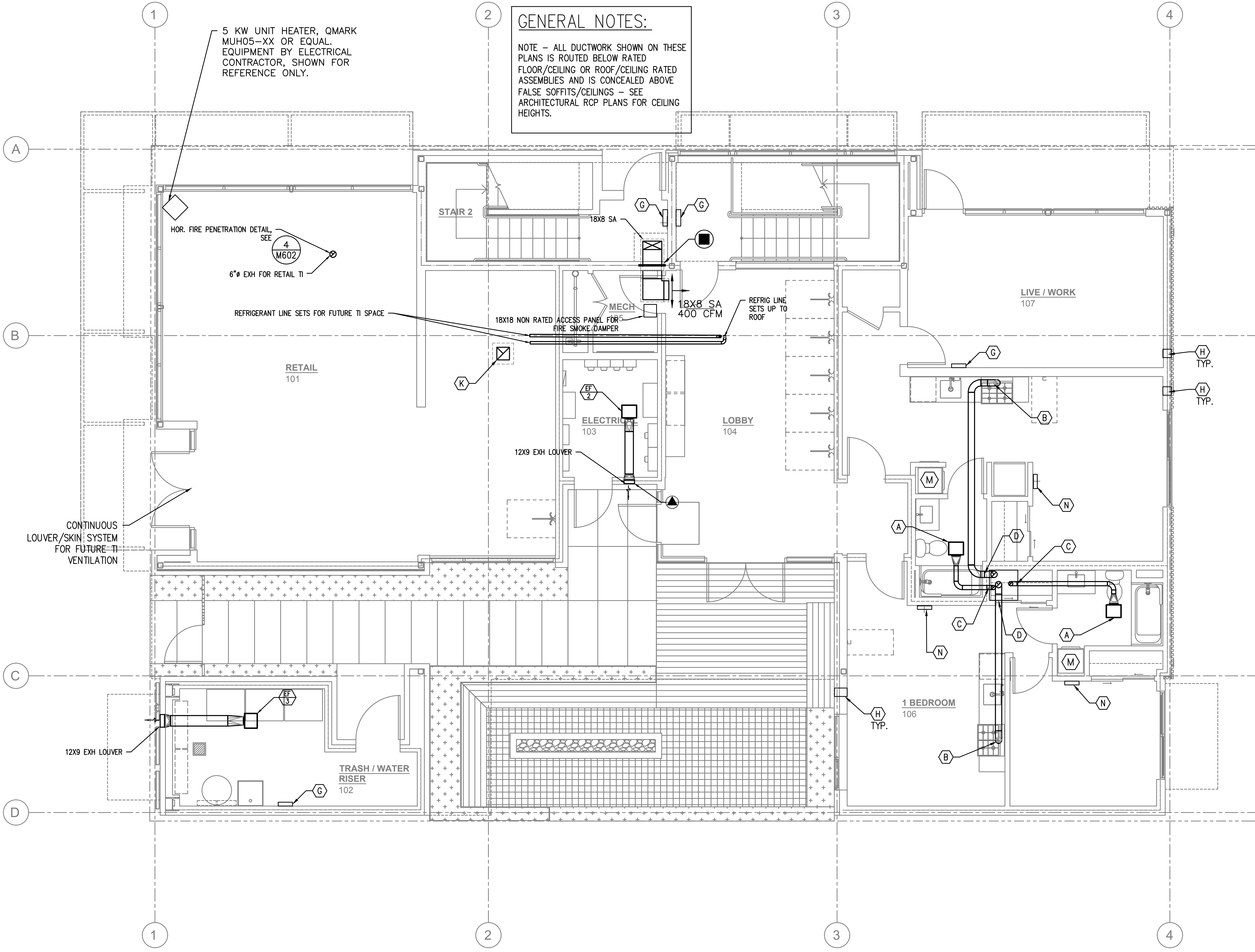


**GENERAL NOTES:**  
NOTE - ALL DUCTWORK SHOWN ON THESE  
PLANS IS ROUTED BELOW RATED  
FLOOR/CEILING OR ROOF/CEILING RATED  
ASSEMBLIES AND IS CONCEALED ABOVE  
FALSE SOFFITS/CEILINGS - SEE  
ARCHITECTURAL RCP PLANS FOR CEILING  
HEIGHTS.

5 KW UNIT HEATER, QMARK  
MUH05-XX OR EQUAL.  
EQUIPMENT BY ELECTRICAL  
CONTRACTOR, SHOWN FOR  
REFERENCE ONLY.

- KEY NOTES:**
- (A) PANASONIC WHISPERGREEN CEILING FAN WITH 4" DUCT TO ROOF OR EXTERIOR WALL TERMINATION VIA SOFFIT(S) PROVIDED. BACK DRAFT DAMPER INTEGRAL TO FAN. FAN TO OPERATE AT LOW SPEED CONTINUOUS (30 CFM) AND INCREASE TO 60 CFM WHEN BUILT-IN MOTION SENSOR IS ACTIVATED. INSULATED FINAL 5' OF DUCTWORK. NO DUCTWORK SHALL PENETRATE RATED ASSEMBLY. SEE (1) (M601) (EF 1)
  - (B) 6" HOOD DUCT TO ROOF/EXTERIOR WALL TERMINATION VIA SOFFIT(S) PROVIDED. BACK DRAFT DAMPER INTEGRAL TO HOOD. INSULATED FINAL 5' OF DUCTWORK. NO DUCTWORK SHALL PENETRATE RATED ASSEMBLY. HOOD FAN TO OPERATE INTERMITTENTLY.
  - (C) FOR 4" UL FIRE PENETRATION DETAIL, SEE (2) (M600)
  - (D) FOR 6" FIRE PENETRATION DETAIL, SEE (1) (M600)
  - (E) 4" BATH EXHAUST AND 6" RANGE EXHAUST UP TO TO ROOF.
  - (F) LINE SETS FOR FUTURE TI SPLIT SYSTEMS, FROM LEVEL 1 RETAIL SPACE TO ROOF.
  - (G) 1.5KW WALL HEATER QMARK AMH4404F OR EQUAL. EQUIPMENT BY ELECTRICAL CONTRACTOR, SHOWN FOR REFERENCE ONLY.
  - (H) FOR AC PORT DETAIL, SEE (4) (M601)
  - (I) FOR REFRIGERANT ROOF PENETRATION, SEE (3) (M601)
  - (J) FOR ROOFTOP OUTLET HOOD SEE (2) (M601)
  - (K) 12X12 GREASE EXHAUST (WITH FIRE WHIP IN 22X22 SHAFT SPACE) ROUTED FROM ROOF (CAPPED) TO TI SPACE (CAPPED FOR FUTURE TI). PROVIDE VENTED CURB ADAPTER AND CAP FOR FUTURE GREASE EXHAUST FAN.
  - (L) SUPPLY AIR OR RETURN GRILLE, SIZED FOR BOTH FREE AREA AND FOR ACTUATOR ACCESS. SEE (1) (M607) FOR GRILLE INSTALLATION, AND SEE (2) (M607) FOR TYPICAL F/S INSTALLATION AND CONTROLS.
  - (M) CONDENSING DRYERS - NO VENTING REQUIRED.
  - (N) 1.5KW (2 KW IN STUDIO UNITS) CADET WALL HEATERS FOR LIVING UNITS. 120V. EQUIPMENT BY ELECTRICAL CONTRACTOR. SHOWN FOR REFERENCE ONLY. PROVIDE WILL WALL MOUNTED T-STAT.

**VENTILATION CALCULATIONS:**  
ALL DWELLING UNITS ARE VENTILATED BY NATURAL VENTILATION WITH OPERABLE WINDOWS (NO LIMITERS), BATHROOM EXHAUST FANS RUN CONTINUOUSLY (SIZED PER ASHRAE 62.2).  
COMMON SPACES AND HALLWAYS ARE VENTILATED BY RTU'S SHALL TO EXCEED THE MINIMUM 0.06 CFM/SQ FT REQUIREMENT  
SEE VENTILATION SCHEDULES FOR OTHER UNITS



**1 MECH PLAN - LEVEL 1**  
SCALE: 1/4" = 1'-0"

**MLK & FAILING  
BUILDING 4**

3850 NE MARTIN LUTHER  
KING JR BLVD  
PORTLAND, OR 97212

DRAWING TITLE  
**MECH PLAN -  
LEVEL 2**

REVISIONS

1-24-20



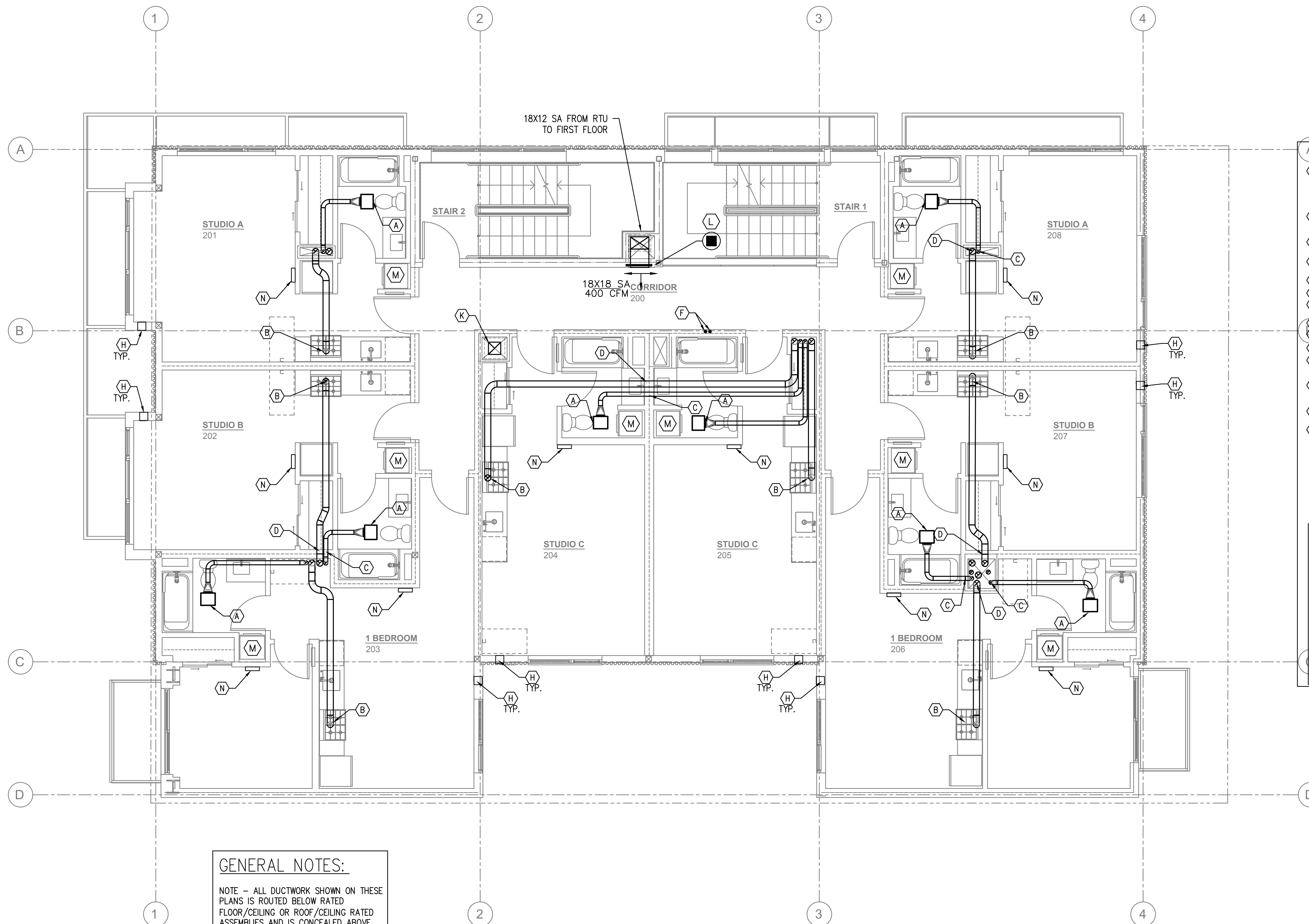
© 2020 WILLIAM KAVEN ARCHITECTURE  
This document is an instrument of service prepared by  
William Kaven Architecture, which owns all common  
law, statutory and other rights with regard to it,  
including copyright. This document may be used only  
for permitted purposes in connection with the indicated  
project. Other uses are prohibited without the express  
written consent of William Kaven Architecture.

DATE June 17, 2022  
JOB NO. 18.16

DRAWING NO.

**M2.02**

CONSTRUCTION



- KEY NOTES:**
- (A) PANASONIC WHISPERGREEN CEILING FAN WITH 4" DUCT TO ROOF OR EXTERIOR WALL TERMINATION VIA SOFFIT(S) PROVIDED. BACK DRAFT DAMPER INTEGRAL TO FAN. FAN TO OPERATE AT LOW SPEED CONTINUOUS (30 CFM) AND INCREASE TO 60 CFM WHEN BUILT-IN MOTION SENSOR IS ACTIVATED. INSULATED FINAL 5' OF DUCTWORK. NO DUCTWORK SHALL PENETRATE RATED ASSEMBLY. SEE (1) M601 (EF 1)
  - (B) 6" HOOD DUCT TO ROOF/EXTERIOR WALL TERMINATION VIA SOFFIT(S) PROVIDED. BACK DRAFT DAMPER INTEGRAL TO HOOD. INSULATED FINAL 5' OF DUCTWORK. NO DUCTWORK SHALL PENETRATE RATED ASSEMBLY. HOOD FAN TO OPERATE INTERMITTENTLY.
  - (C) FOR 4" UL FIRE PENETRATION DETAIL, SEE (2) M600
  - (D) FOR 6" FIRE PENETRATION DETAIL, SEE (1) M600
  - (E) 4" BATH EXHAUST AND 6" RANGE EXHAUST UP TO TO ROOF.
  - (F) LINE SETS FOR FUTURE T1 SPLIT SYSTEMS, FROM LEVEL 1 RETAIL SPACE TO ROOF.
  - (G) 1.5KW WALL HEATER QMARK AMH4404F OR EQUAL EQUIPMENT BY ELECTRICAL CONTRACTOR. SHOWN FOR REFERENCE ONLY.
  - (H) FOR AC PORT DETAIL, SEE (4) M601
  - (I) FOR REFRIGERANT ROOF PENETRATION, SEE (3) M601
  - (J) FOR ROOFTOP OUTLET HOOD SEE (2) M601
  - (K) 12X12 GREASE EXHAUST (WITH FIRE WHAP IN 22X22 SHAFT SPACE) ROUTED FROM ROOF (CAPPED) TO T1 SPACE (CAPPED FOR FUTURE T1). PROVIDE VENTED CURB ADAPTER AND CAP FOR FUTURE GREASE EXHAUST FAN.
  - (L) SUPPLY AIR OR RETURN GRILLE, SIZED FOR BOTH FREE AREA AND FOR ACTUATOR ACCESS. SEE (1) M602 FOR GRILLE INSTALLATION, AND SEE (2) M602 FOR TYPICAL F/S INSTALLATION AND CONTROLS.
  - (M) CONDENSING DRYERS - NO VENTING REQUIRED.
  - (N) 1.5KW (2 KW IN STUDIO UNITS) CADET WALL HEATERS FOR LIVING UNITS. 120V. EQUIPMENT BY ELECTRICAL CONTRACTOR. SHOWN FOR REFERENCE ONLY. PROVIDE WILL WALL MOUNTED T-STAT.

**VENTILATION CALCULATIONS:**

ALL DWELLING UNITS ARE VENTILATED BY NATURAL VENTILATION WITH OPERABLE WINDOWS (NO LIMITERS), BATHROOM EXHAUST FANS RUN CONTINUOUSLY (SIZED PER ASHRAE 62.2).

COMMON SPACES AND HALLWAYS ARE VENTILATED BY RTU'S SHALL TO EXCEED THE MINIMUM 0.06 CFM/SQ FT REQUIREMENT

SEE VENTILATION SCHEDULES FOR OTHER UNITS

**GENERAL NOTES:**

NOTE - ALL DUCTWORK SHOWN ON THESE PLANS IS ROUTED BELOW RATED FLOOR/CEILING OR ROOF/CEILING RATED ASSEMBLIES AND IS CONCEALED ABOVE FALSE SOFFITS/CEILINGS - SEE ARCHITECTURAL RCP PLANS FOR CEILING HEIGHTS.

**1 MECH PLAN - LEVEL 2**  
SCALE: 1/4" = 1'-0"

**GENERAL NOTES:**

NOTE - ALL DUCTWORK SHOWN ON THESE  
PLANS IS ROUTED BELOW RATED  
FLOOR/CEILING OR ROOF/CEILING RATED  
ASSEMBLIES AND IS CONCEALED ABOVE  
FALSE SOFFITS/CEILINGS - SEE  
ARCHITECTURAL RCP PLANS FOR CEILING  
HEIGHTS.

18X12 SA FROM RTU  
TO FIRST FLOOR

18X18 SA  
400 CFM

COORDINATE SHAFT SIZE  
WITH ARCHITECT TO  
ACCOMMODATE 12X12  
GREASE DUCT  
WITH 4" INSULATION AND 1'  
CLEAR SPACE IN ADDITION  
TO UNIT VENTS

**KEY NOTES:**

- (A) PANASONIC WHISPERGREEN CEILING FAN WITH 4" DUCT TO ROOF OR EXTERIOR WALL TERMINATION VIA SOFFIT(S) PROVIDED. BACK DRAFT DAMPER INTEGRAL TO FAN. FAN TO OPERATE AT LOW SPEED CONTINUOUS (30 CFM) AND INCREASE TO 60 CFM WHEN BUILT-IN MOTION SENSOR IS ACTIVATED. INSULATED FINAL 5' OF DUCTWORK. NO DUCTWORK SHALL PENETRATE RATED ASSEMBLY. SEE (1) (M601) (EF 1)
- (B) 6" HOOD DUCT TO ROOF/EXTERIOR WALL TERMINATION VIA SOFFIT(S) PROVIDED. BACK DRAFT DAMPER INTEGRAL TO HOOD. INSULATED FINAL 5' OF DUCTWORK. NO DUCTWORK SHALL PENETRATE RATED ASSEMBLY. HOOD FAN TO OPERATE INTERMITTENTLY.
- (C) FOR 4" UL FIRE PENETRATION DETAIL, SEE (2) (M600)
- (D) FOR 6" FIRE PENETRATION DETAIL, SEE (1) (M600)
- (E) 4" BATH EXHAUST AND 6" RANGE EXHAUST UP TO TO ROOF.
- (F) LINE SETS FOR FUTURE TI SPLIT SYSTEMS, FROM LEVEL 1 RETAIL SPACE TO ROOF.
- (G) 1.5KW WALL HEATER QMARK AMH4404F OR EQUAL EQUIPMENT BY ELECTRICAL CONTRACTOR. SHOWN FOR REFERENCE ONLY.
- (H) FOR AC PORT DETAIL, SEE (4) (M601)
- (I) FOR REFRIGERANT ROOF PENETRATION, SEE (3) (M601)
- (J) FOR ROOFTOP OUTLET HOOD SEE (2) (M601)
- (K) 12X12 GREASE EXHAUST (WITH FIRE WHAP IN 22X22 SHAFT SPACE) ROUTED FROM ROOF (CAPPED) TO TI SPACE (CAPPED FOR FUTURE TI). PROVIDE VENTED CURB ADAPTER AND CAP FOR FUTURE GREASE EXHAUST FAN.
- (L) SUPPLY AIR OR RETURN GRILLE, SIZED FOR BOTH FREE AREA AND FOR ACTUATOR ACCESS. SEE (1) (M602) FOR GRILLE INSTALLATION, AND SEE (2) (M602) FOR TYPICAL F/S INSTALLATION (M602) AND CONTROLS.
- (M) CONDENSING DRYERS - NO VENTING REQUIRED.
- (N) 1.5KW (2 KW IN STUDIO UNITS) CADET WALL HEATERS FOR LIVING UNITS. 120V. EQUIPMENT BY ELECTRICAL CONTRACTOR. SHOWN FOR REFERENCE ONLY. PROVIDE WILL WALL MOUNTED 1-STAT.

**VENTILATION CALCULATIONS:**

ALL DWELLING UNITS ARE VENTILATED BY NATURAL VENTILATION WITH OPERABLE WINDOWS (NO LIMITERS), BATHROOM EXHAUST FANS RUN CONTINUOUSLY (SIZED PER ASHRAE 62.2).

COMMON SPACES AND HALLWAYS ARE VENTILATED BY RTU'S TO EXCEED THE MINIMUM 0.06 CFM/SQ FT REQUIREMENT

SEE VENTILATION SCHEDULES FOR OTHER UNITS

CITY STAMP

PROJECT

# MLK & FAILING BUILDING 4

3850 NE MARTIN LUTHER KING JR BLVD  
PORTLAND, OR 97212

DRAWING TITLE  
**MECH PLAN - LEVEL 4**

REVISIONS

1-24-20



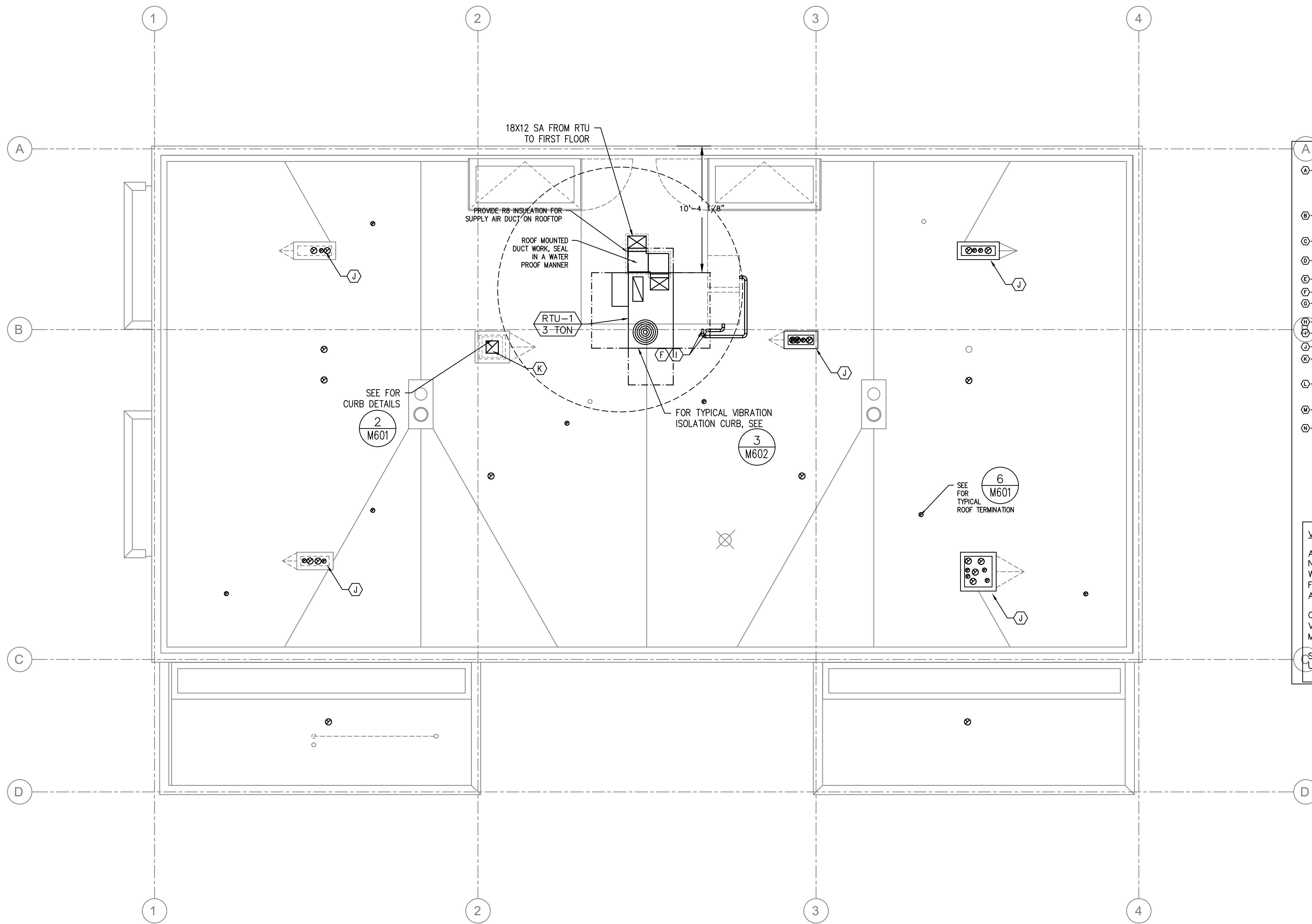
© 2020 WILLIAM KAVEN ARCHITECTURE  
This document is an instrument of service prepared by William Kaven Architecture, which owns all common law, statutory and other rights with regard to it, including copyright. This document may be used only for permitted purposes in connection with the indicated project. Other uses are prohibited without the express written consent of William Kaven Architecture.

DATE June 17, 2022  
JOB NO. 18.16

DRAWING NO.

# M2.04

CONSTRUCTION



- KEY NOTES:**
- (A) PANASONIC WHISPERGREEN CEILING FAN WITH 4" DUCT TO ROOF OR EXTERIOR WALL TERMINATION VIA SOFFIT(S) PROVIDED. BACK DRAFT DAMPER INTEGRAL TO FAN. FAN TO OPERATE AT LOW SPEED CONTINUOUS (30 CFM) AND INCREASE TO 80 CFM WHEN BUILT-IN MOTION SENSOR IS ACTIVATED. INSULATED FINAL 5' OF DUCTWORK. NO DUCTWORK SHALL PENETRATE RATED ASSEMBLY. SEE 1 M601 EF 1
  - (B) 6" HOOD DUCT TO ROOF/EXTERIOR WALL TERMINATION VIA SOFFIT(S) PROVIDED. BACK DRAFT DAMPER INTEGRAL TO HOOD. INSULATED FINAL 5' OF DUCTWORK. NO DUCTWORK SHALL PENETRATE RATED ASSEMBLY. HOOD FAN TO OPERATE INTERMITTENTLY.
  - (C) FOR 4" UL FIRE PENETRATION DETAIL, SEE 2 M600
  - (D) FOR 6" FIRE PENETRATION DETAIL, SEE 1 M600
  - (E) 4" BATH EXHAUST AND 6" RANGE EXHAUST UP TO TO ROOF.
  - (F) LINE SETS FOR FUTURE T1 SPLIT SYSTEMS, FROM LEVEL 1 RETAIL SPACE TO ROOF.
  - (G) 1.5KW WALL HEATER QMARK AMH4404F OR EQUAL EQUIPMENT BY ELECTRICAL CONTRACTOR. SHOWN FOR REFERENCE ONLY.
  - (H) FOR AC PORT DETAIL, SEE 4 M601
  - (I) FOR REFRIGERANT ROOF PENETRATION, SEE 3 M601
  - (J) FOR ROOFTOP OUTLET HOOD SEE 2 M601
  - (K) 12X12 GREASE EXHAUST (WITH FIRE WHIP IN 22X22 SHAFT SPACE) ROUTED FROM ROOF (CAPPED) TO T1 SPACE (CAPPED FOR FUTURE T1). PROVIDE VENTED CURB ADAPTER AND CAP FOR FUTURE GREASE EXHAUST FAN.
  - (L) SUPPLY AIR OR RETURN GRILLE, SIZED FOR BOTH FREE AREA AND FOR ACTUATOR ACCESS. SEE 1 M602 FOR GRILLE INSTALLATION, AND SEE 2 M602 FOR TYPICAL F/S INSTALLATION AND CONTROLS.
  - (M) CONDENSING DRYERS - NO VENTING REQUIRED.
  - (N) 1.5KW (2 KW IN STUDIO UNITS) CADET WALL HEATERS FOR LIVING UNITS. 120V. EQUIPMENT BY ELECTRICAL CONTRACTOR. SHOWN FOR REFERENCE ONLY. PROVIDE WILL WALL MOUNTED T-STAT.

**VENTILATION CALCULATIONS:**

ALL DWELLING UNITS ARE VENTILATED BY NATURAL VENTILATION WITH OPERABLE WINDOWS (NO LIMITERS), BATHROOM EXHAUST FANS RUN CONTINUOUSLY (SIZED PER ASHRAE 62.2).

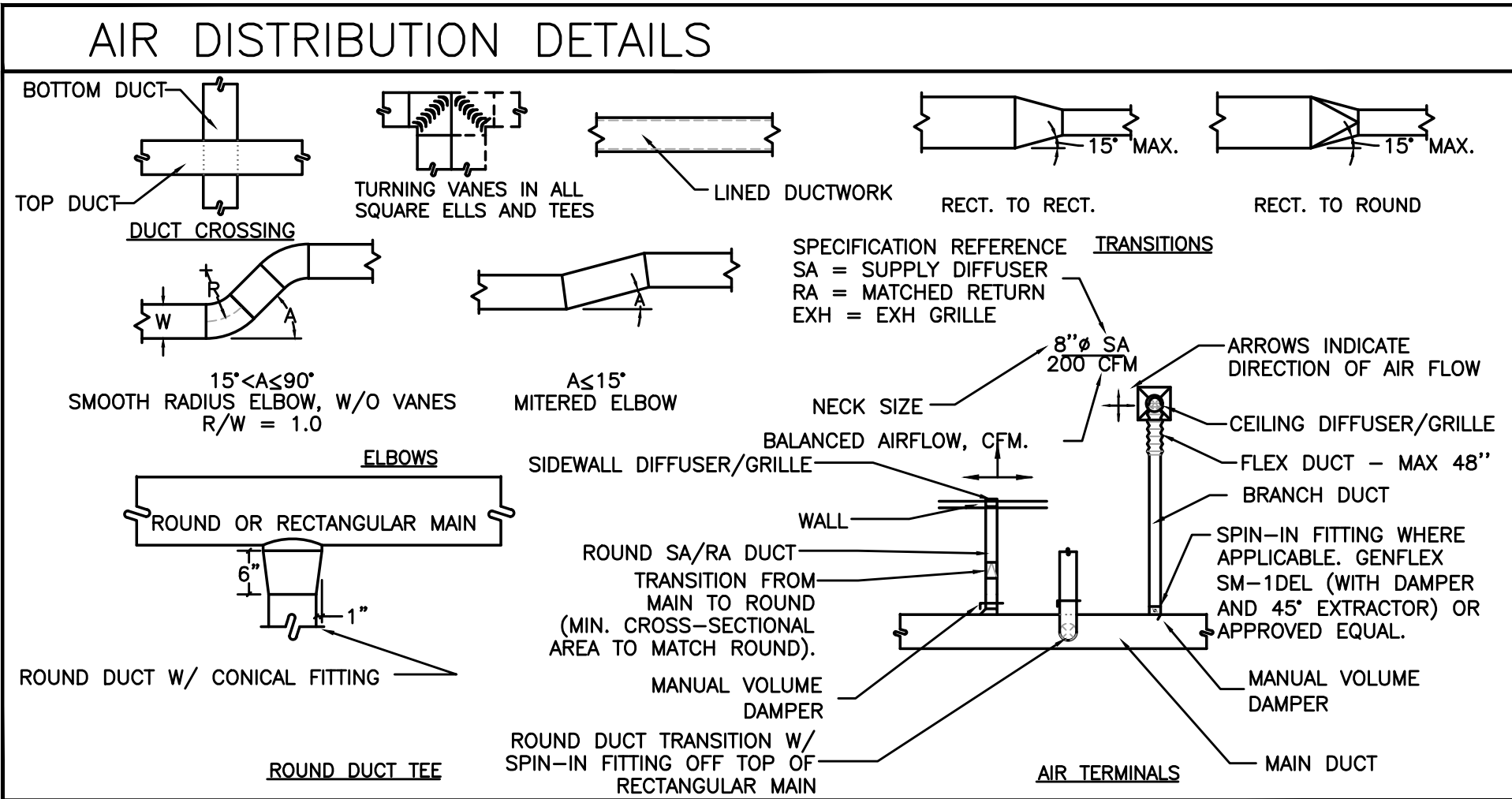
COMMON SPACES AND HALLWAYS ARE VENTILATED BY RTU'S SIZED TO EXCEED THE MINIMUM 0.06 CFM/SQ FT REQUIREMENT

SEE VENTILATION SCHEDULES FOR OTHER UNITS

**1 MECH PLAN - ROOF**  
M2.04 SCALE: 1/4" = 1'-0"

# MECHANICAL LEGEND

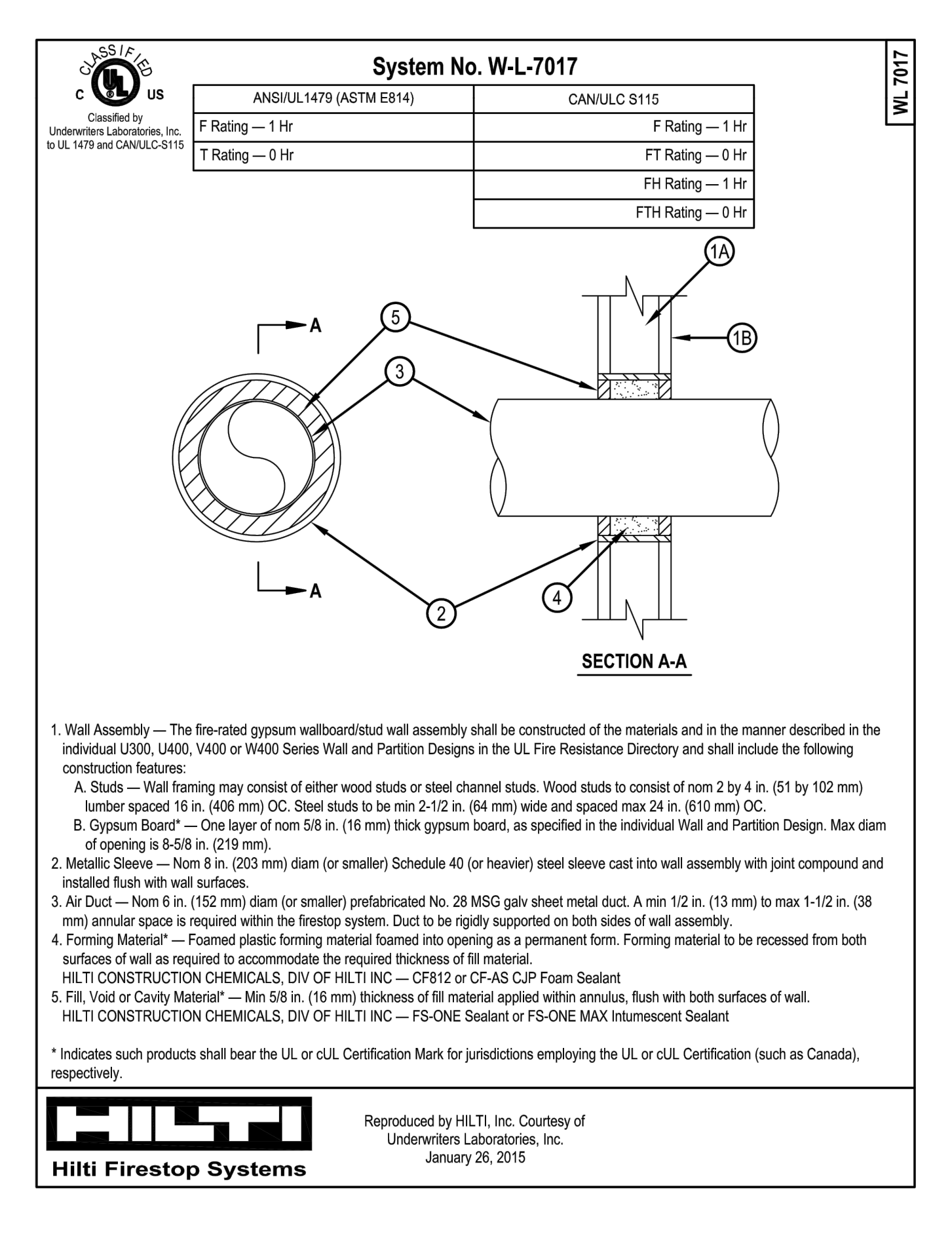
	SUPPLY AIR DIFFUSER		ABOVE FINISH FLOOR
	RETURN AIR GRILLE		AIR HANDLING UNIT
	EXHAUST AIR GRILLE		BOTTOM OF DUCT
	PERFORATED RETURN AIR PANEL		BRAKE HORSEPOWER
	DIRECTIONAL AIR FLOW		BRITISH THERMAL UNITS
	MANUAL VOLUME DAMPER		CUBIC FEET PER MINUTE
	SUPPLY OR OUTSIDE AIR DUCT UP & DOWN		CONNECTION
	RETURN AIR DUCT UP & DOWN		CONTINUATION
	EXHAUST AIR DUCT UP & DOWN		DOMESTIC COLD WATER
	SUPPLY OR OUTSIDE AIR DUCT UP & DOWN		DRY BULB
	RETURN AIR DUCT UP & DOWN		DIAMETER
	EXHAUST AIR DUCT UP & DOWN		DISTRIBUTION
	SUPPLY OR OUTSIDE AIR DUCT UP & DOWN		EXHAUST AIR
	RETURN AIR DUCT UP & DOWN		ENTERING DRY BULB TEMPERATURE
	EXHAUST AIR DUCT UP & DOWN		ENTERING WET BULB TEMPERATURE
	VAV TERMINAL UNIT		ENTERING WATER TEMPERATURE
	WT TERMINAL UNIT		FINISH FLOOR
	EXISTING		FIXTURE
	CONNECT TO EXISTING		FEET PER MINUTE
	THERMOSTAT OR TEMP. SENSOR		FEET PER SECOND
	NOTE		FEET / FOOT
	EQUIPMENT DESIGNATOR		GAUGE
	BALL VALVE		GALLONS PER MINUTE
	GATE VALVE		HEIGHT
	CHECK VALVE		HORSEPOWER
	BALANCING VALVE		INSIDE DIAMETER
	THERMOMETER		INCHES
	DIRECTION OF FLOW		LENGTH
	PUMP		LBS.
	STRAINER		LEAVING DRY BULB
	PRESSURE GAUGE		LEAVING WET BULB
	PETE'S PLUG		LEAVING WATER TEMPERATURE
	DOUBLE CHECK ASSEMBLY		MAXIMUM
	PRESSURE REDUCING VALVE		THOUSANDS OF BTUs PER HOUR
	UNION		MINIMUM
	2-WAY CONTROL VALVE		NORMALLY CLOSED
	3-WAY CONTROL VALVE		NOT IN MECHANICAL
	CAP		NUMBER
	SMOKE DETECTOR		NORMALLY OPEN
	MOTORIZED DAMPER		OUTSIDE AIR
			PERSON
			POUNDS PER SQUARE INCH
			PRESSURE / TEMPERATURE
			RETURN AIR
			RECTANGULAR
			REQUIRED
			SUPPLY AIR
			STATIC PRESSURE
			SQUARE
			TEMPERATURE
			TYPICAL
			VARIABLE AIR VOLUME
			WET BULB
			WATER PRESSURE DROP
			DIAMETER
			EXISTING
			DEMOLISH
			NEW WORK
			(HWS) HEATING WATER SUPPLY
			(HWR) HEATING WATER RETURN
			FIRE DAMPER
			FIRE / SMOKE DAMPER
			SMOKE DAMPER
			SEISMIC BRACING
			LATERAL BRACING
			LONGITUDINAL BRACING
			LONGITUDINAL & LATERAL BRACING



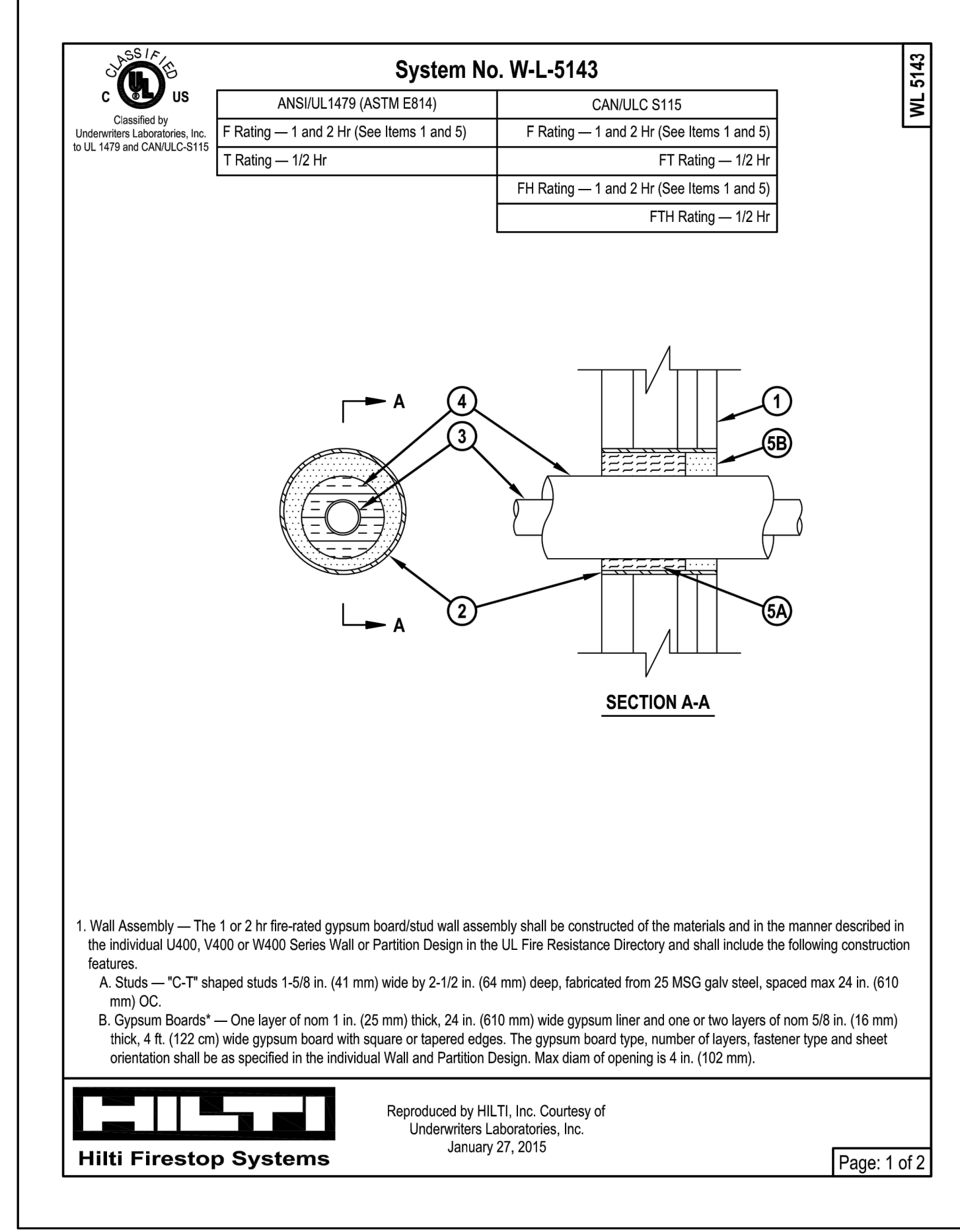
# ROOFTOP HVAC UNITS

MARK NUMBER	RTU-1 3 TON
SYSTEM	CORRIDORS
TYPE	C.V.
DISCHARGE	VERTICAL
TOTAL CFM	1200
ECONOMIZER	100% OSA
MIN. OSA	100%
MAX OSA (FULL OCCUPANCY)	NA
CO2 CONTROL	NA
EXTERNAL SP. (H2O)	0.75
TOTAL SP. (H2O)	---
RPM	2181
WHEEL TYPE/ SIZE	F.C. 10" (DIRECT)
MOTOR HP.	1.0 HP
POWER EXH FAN/ACCESSORY	NONE
MIN FILTER SIZE	2-16X25
FILTER TYPE	2" - 30%
GAS INPUT/OUTPUT (MBH)	115 / 82
EFF. (AFUE)	80.0%
STAGES/TYPE	2-HIGH HEAT**
TOTAL CLG. (TONS)	3.0
SENSIBLE CLG. (MBH)	28.3
ENT. EVAP AIR TEMP (DB/WB.)	90/67
LVG. EVAP AIR TEMP (DB/WB.)	55/54
AMBIENT AIR (F)	95
EER/SEER	12.5 / 15.0
REFRIGERANT	410A
REFRIGERANT CHARGE	XX
DESIGN WEIGHT (LBS.)	605
SMOKE DETECTOR (SUPPLY DUCT)	NO
SPRING ISOLATION ROOF CURB	YES
CONVENIENCE OUTLET - ALWAYS POWERED	YES
VOLTAGE/PHASE - ***	208/3
MCA/MOCP - ***	29/35 AMPS
BASIS OF DESIGN - CARRIER MODEL	48HCTA04A0A5

\* - UNIT TO RUN CONTINUOUSLY  
 \*\* - PROVIDE STAINLESS STEEL HEAT EXCHANGER.  
 \*\*\*- ELECTRICAL DATA LISTED FOR REFERENCE ONLY, COORDINATE WITH ELECTRICAL DEIGN BUILD CONTRACTOR FOR VOLTAGE AND PHASE REQUIREMENTS



1 FIRE PENETRATION DETAIL - 6" DUCTS  
 M600 DETAIL

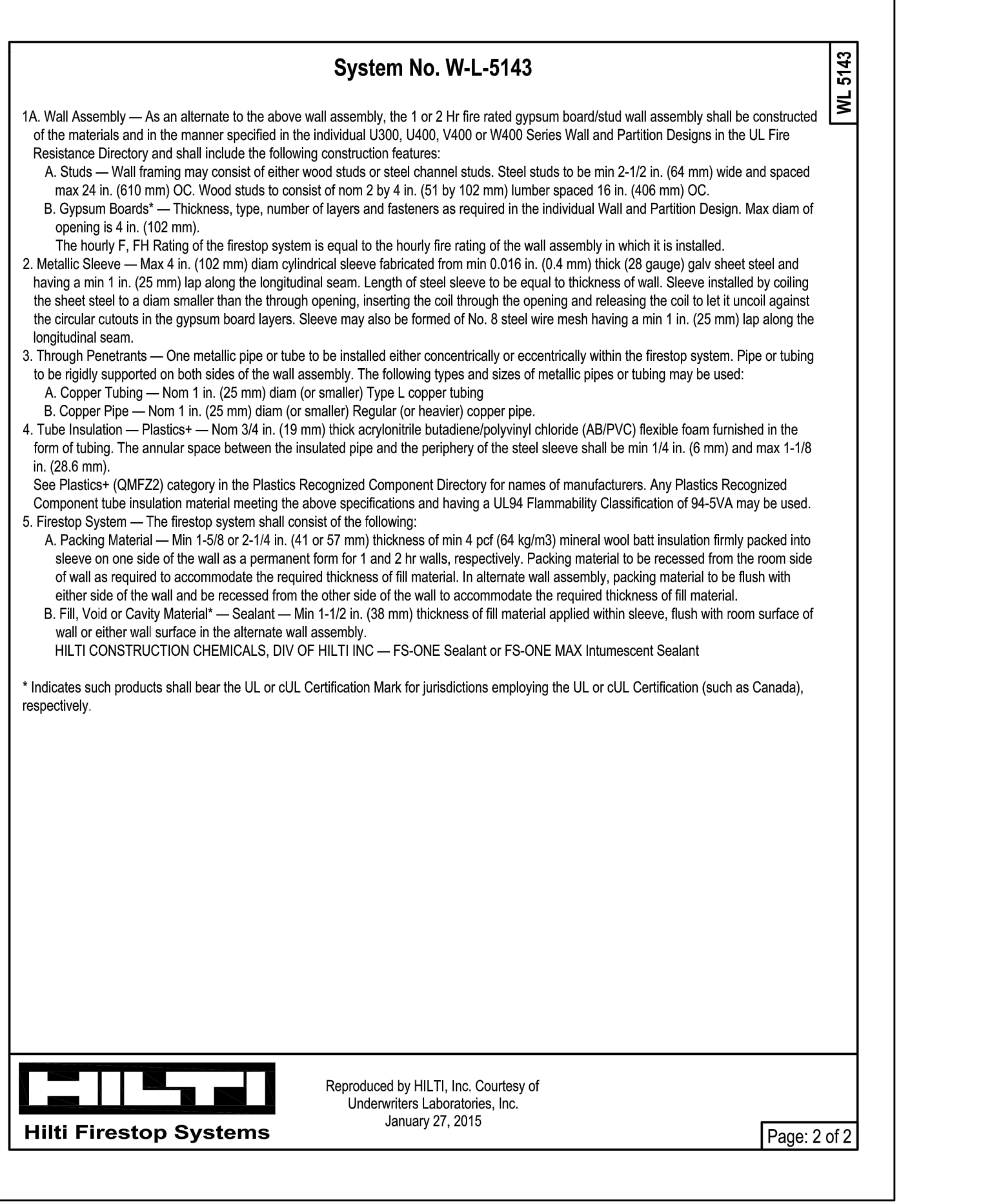


2 FIRE PENETRATION DETAIL - 4" DUCTS  
 M600 DETAIL

### EXHAUST FANS

MARK NUMBER	EF 1	EF 2	EF 3
TYPE	CEILING CABINET	CEILING CABINET	CEILING CABINET
SYSTEM	BATHROOM	ELECTRICAL ROOM	TRASH/WATER RISER
CFM	30/80	200	300
TOTAL SP. (IN H2O)	0.20	0.125	0.125
RPM	1062/1146	740	2500
TIP SPEED (FPM)	NA	--	--
MOTOR WATTS OR HP	5/11.7 W	127 W	135 W
CONTROLLED BY	**	T-STAT	CONTINUOUS
INTERLOCK WITH	MOTION SENSOR	NONE	NONE
FAN SPEED CONTROLLER	YES	YES	YES
WHEEL TYPE	BI	BI	BI
BACK DRAFT DAMPER	YES	GRAVITY	GRAVITY
ISOLATION	RUBBER	RUBBER	RUBBER
DESIGN WEIGHT (LBS)	25	23	25
MAX. SONES	0.3/0.6	1.7	4.5
MAX AMPS - ***	0.27	1.8	1.34
POWER (VOLTS/PHASE/HZ) - ***	120/1/60	120/60/1	120/60/1
BASIS OF DESIGN:	PANASONIC * FV-05-11VKS/L2	BROAN L200	GREENHECK SP-A390

\* - FAN TO RUN AT LOW SPEED CONTINUOUSLY, AND INCREASE TO HIGH SPEED UPON ACTIVATION OF THE MOTION SENSOR.  
 \*\*\*- ELECTRICAL DATA LISTED FOR REFERENCE ONLY, COORDINATE WITH ELECTRICAL DEIGN BUILD CONTRACTOR FOR VOLTAGE AND PHASE REQUIREMENTS



2 FIRE PENETRATION DETAIL - 4" DUCTS  
 M600 DETAIL

CITY STAMP

PROJECT

**MLK & FAILING  
BUILDING 4**

3850 NE MARTIN LUTHER  
KING JR BLVD  
PORTLAND, OR 97212

DRAWING TITLE  
**MECHANICAL  
DETAILS**

REVISIONS

1-24-20



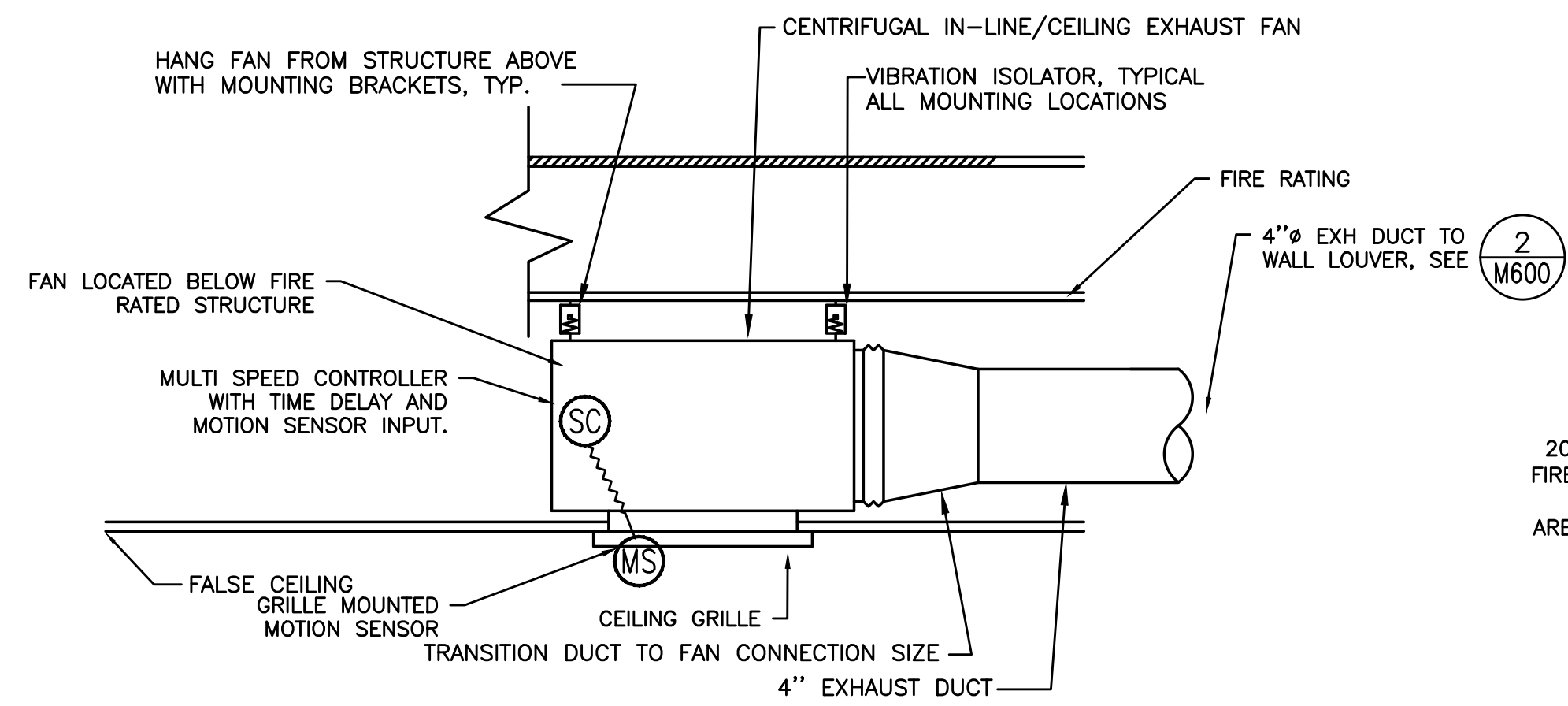
© 2020 WILLIAM KAVEN ARCHITECTURE  
This document is an instrument of service prepared by William Kaven Architecture, which owns all common law, statutory and other rights with regard to it, including copyright. This document may be used only for permitted purposes in connection with the indicated project. Other uses are prohibited without the express written consent of William Kaven Architecture.

DATE June 17, 2022  
JOB NO. 18.16

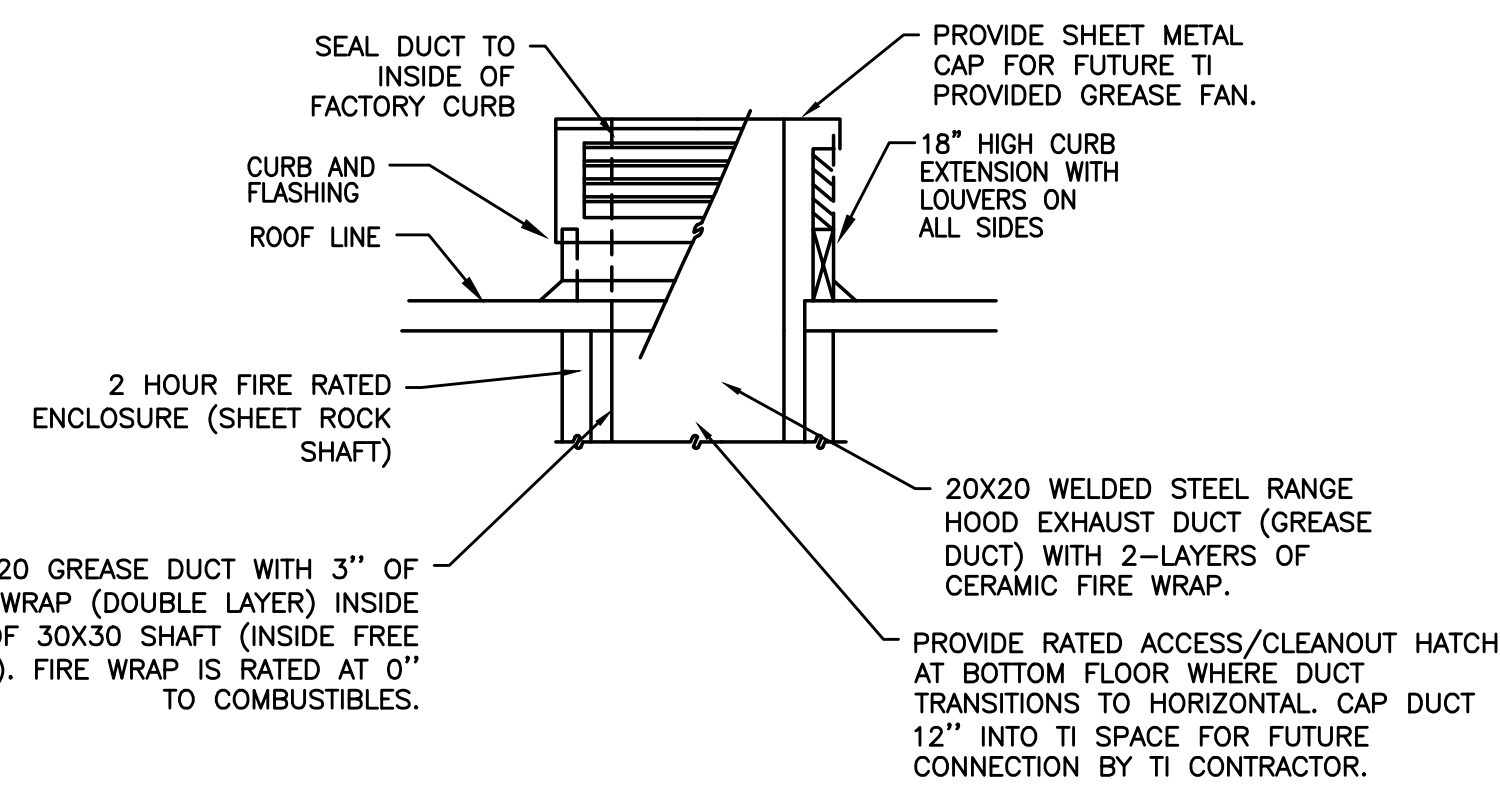
DRAWING NO.

**M6.01**

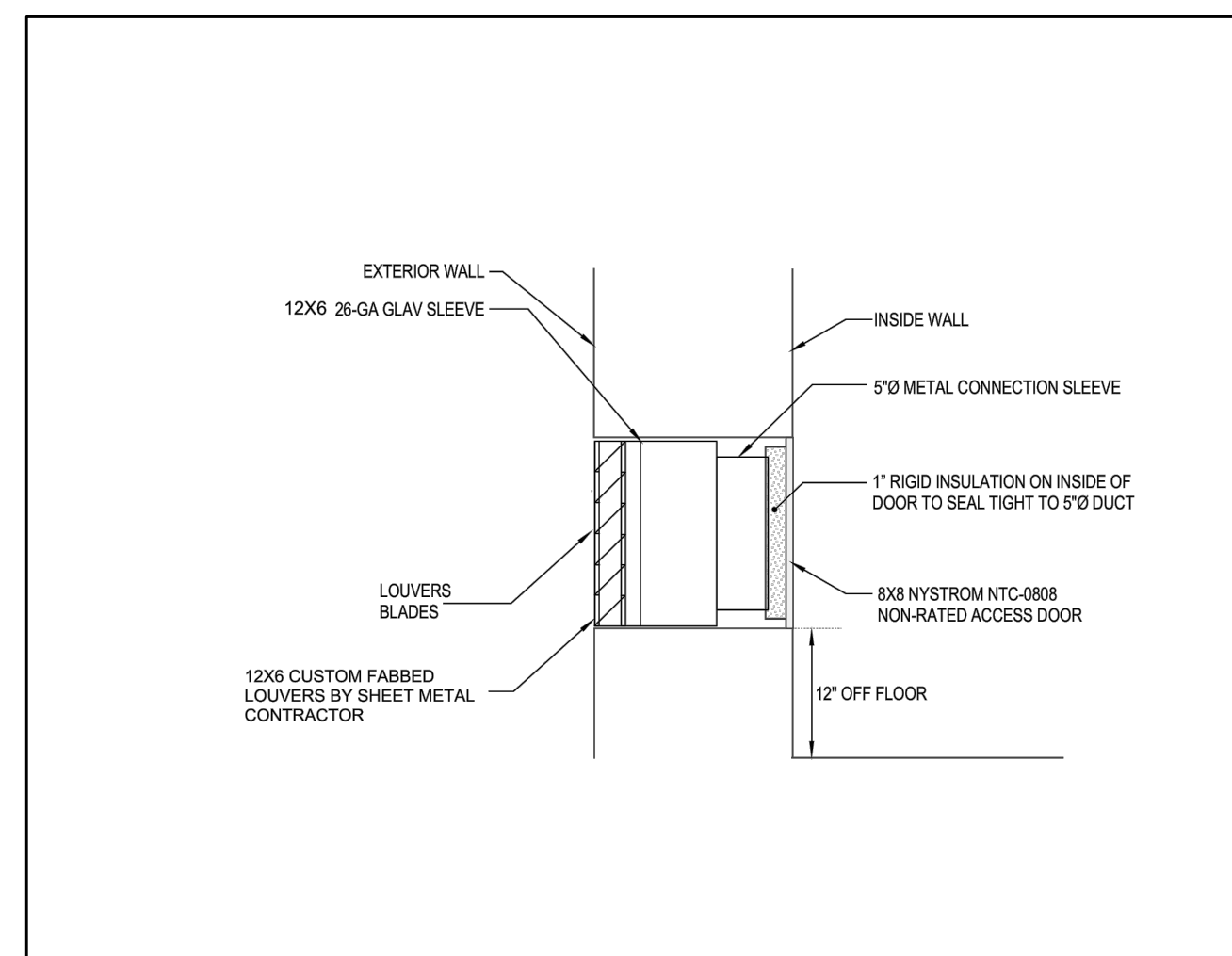
CONSTRUCTION



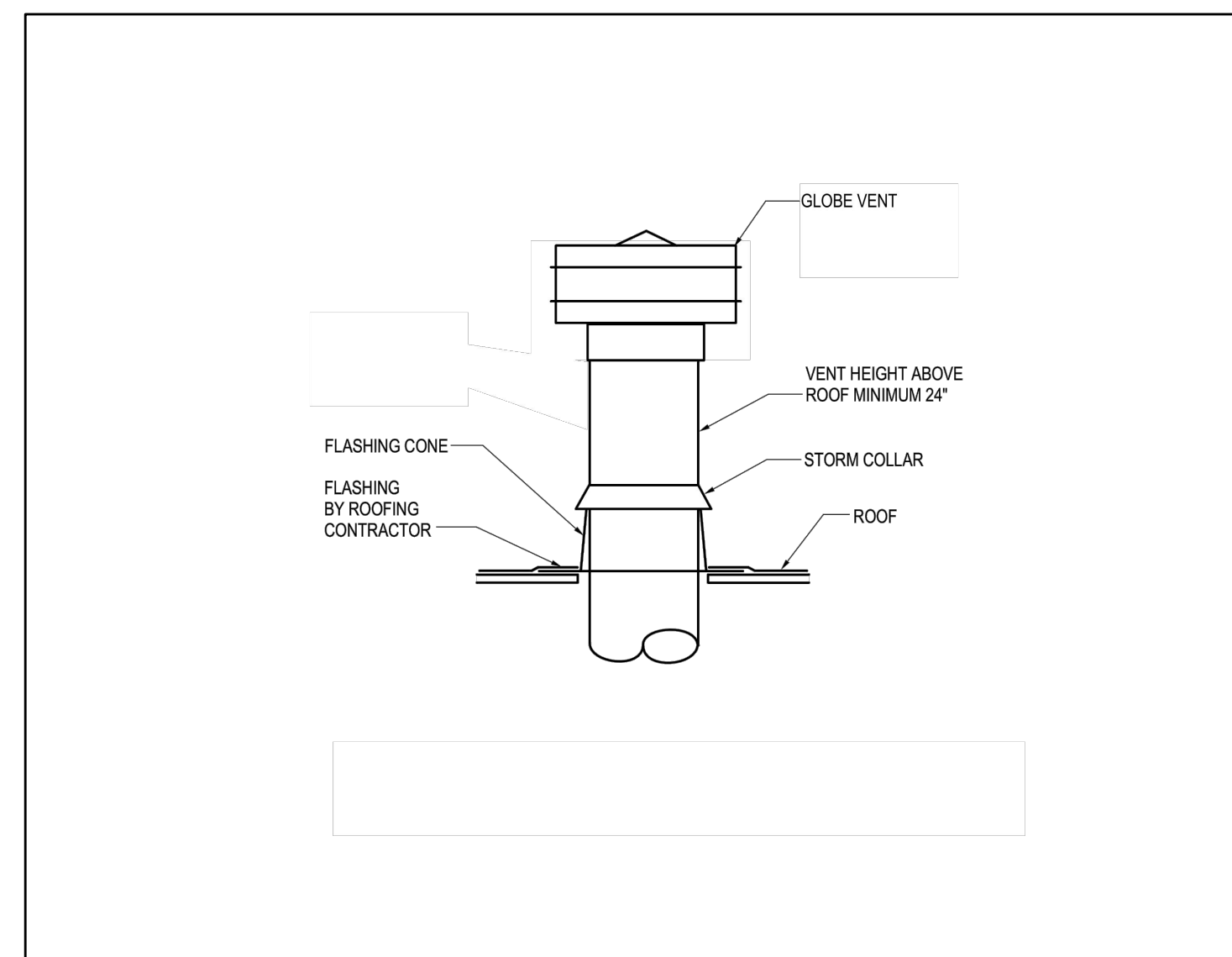
**1 RESTROOM EXHAUST FAN**  
M601 SCALE: DETAIL



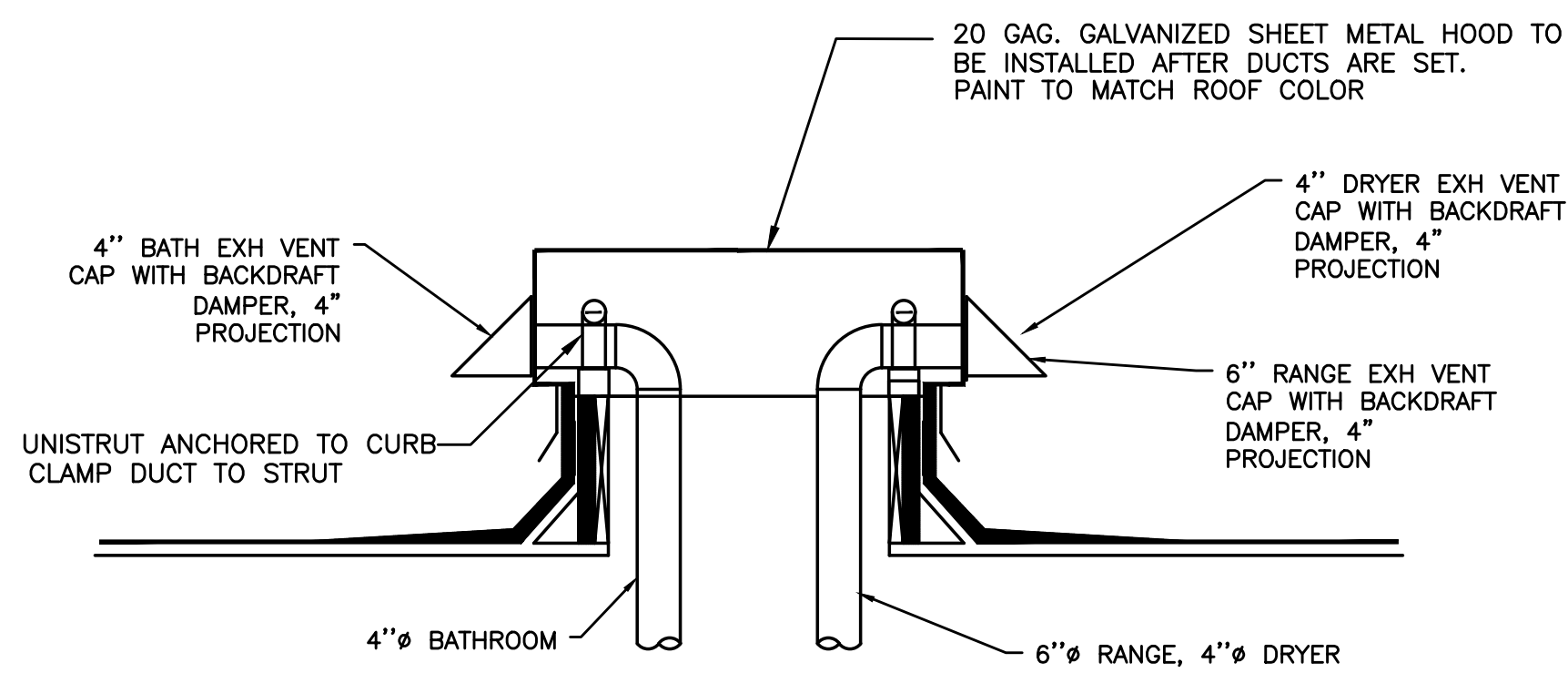
**2 GREASE DUCT/CURB TERMINATION**  
M601 NOT TO SCALE



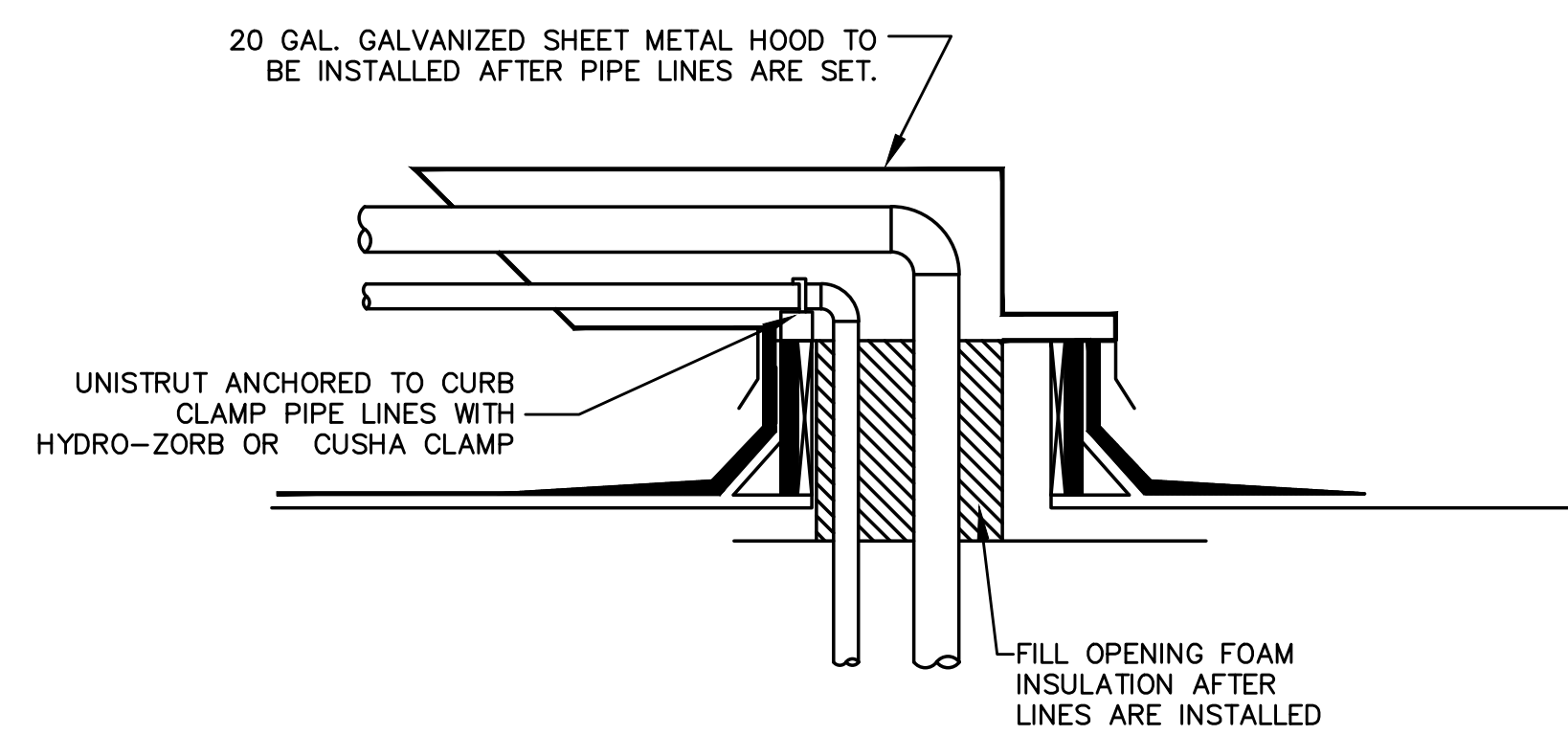
**4 AC VENT PORT WITH ACCESS DOOR**  
M601 NOT TO SCALE



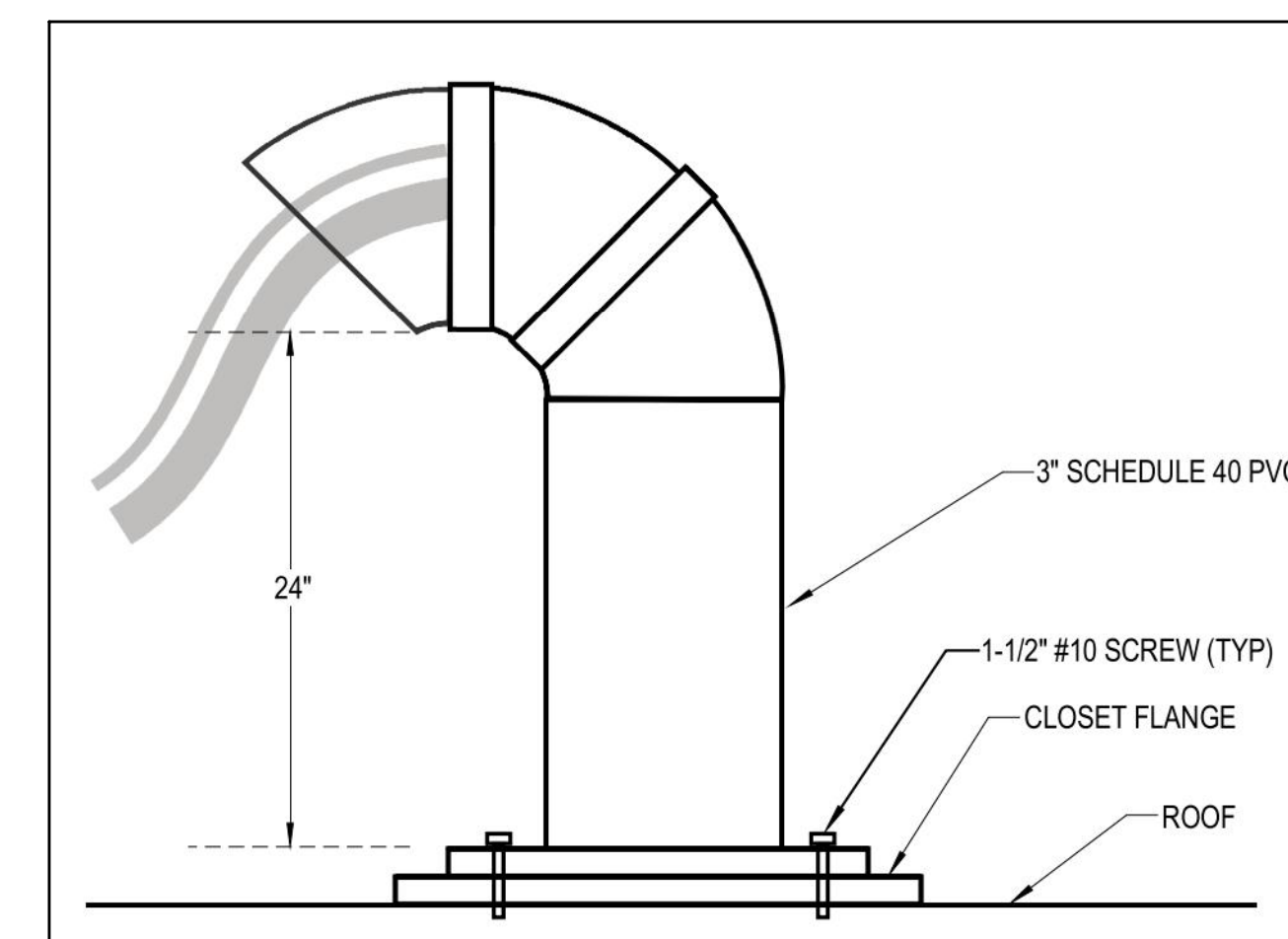
**6 ROOFTOP OUTLET HOOD - SINGLE DUCT**  
M601 NOT TO SCALE



**5 ROOFTOP OUTLET HOOD**  
M601 NOT TO SCALE



**3 REFRIGERANT ROOF PENETRATIONS**  
M601 DETAIL



OR

CITY STAMP

PROJECT

**MLK & FAILING  
BUILDING 4**

3850 NE MARTIN LUTHER  
KING JR BLVD  
PORTLAND, OR 97212

DRAWING TITLE  
**MECHANICAL  
DETAILS**

REVISIONS

1-24-20



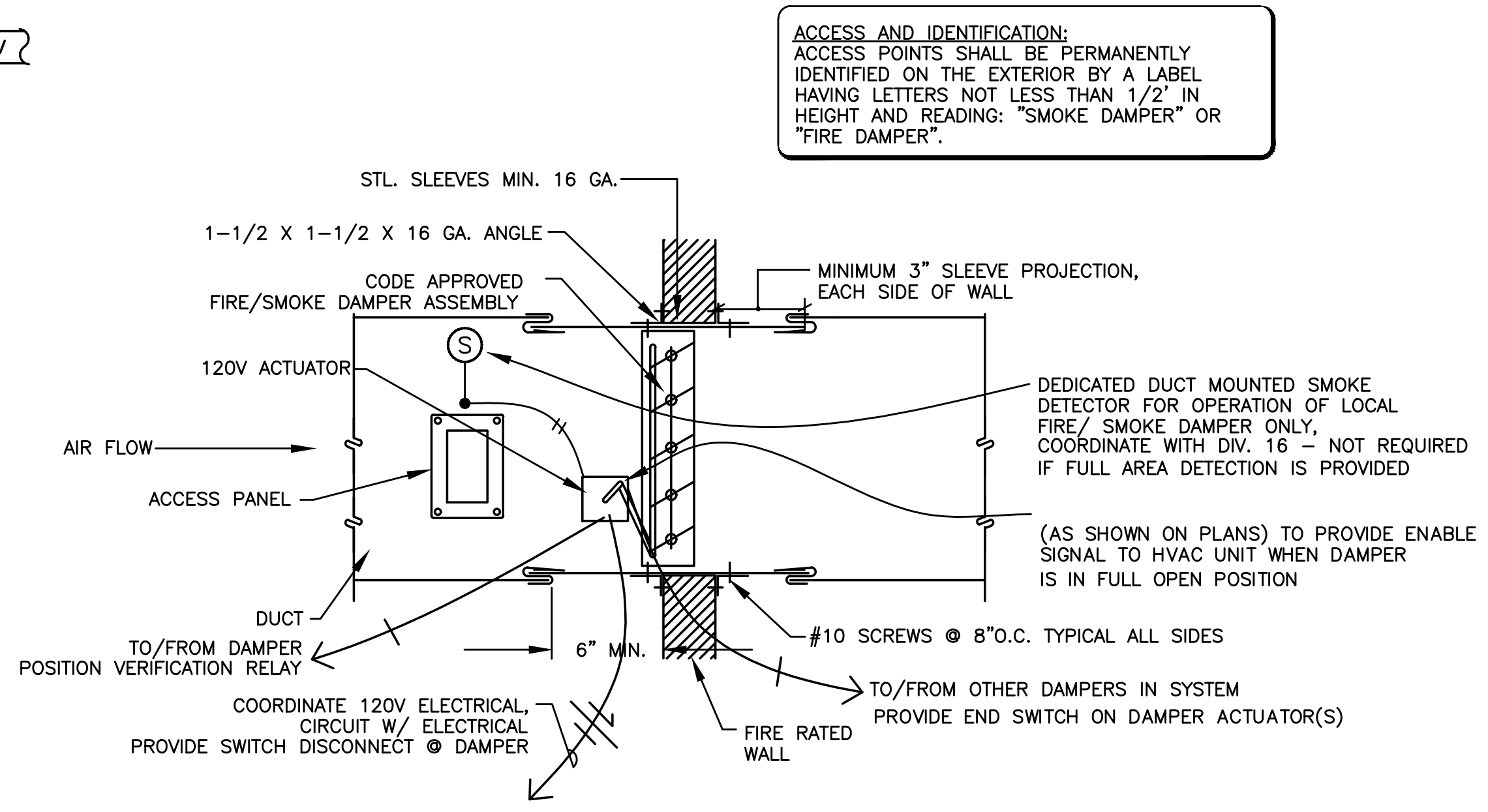
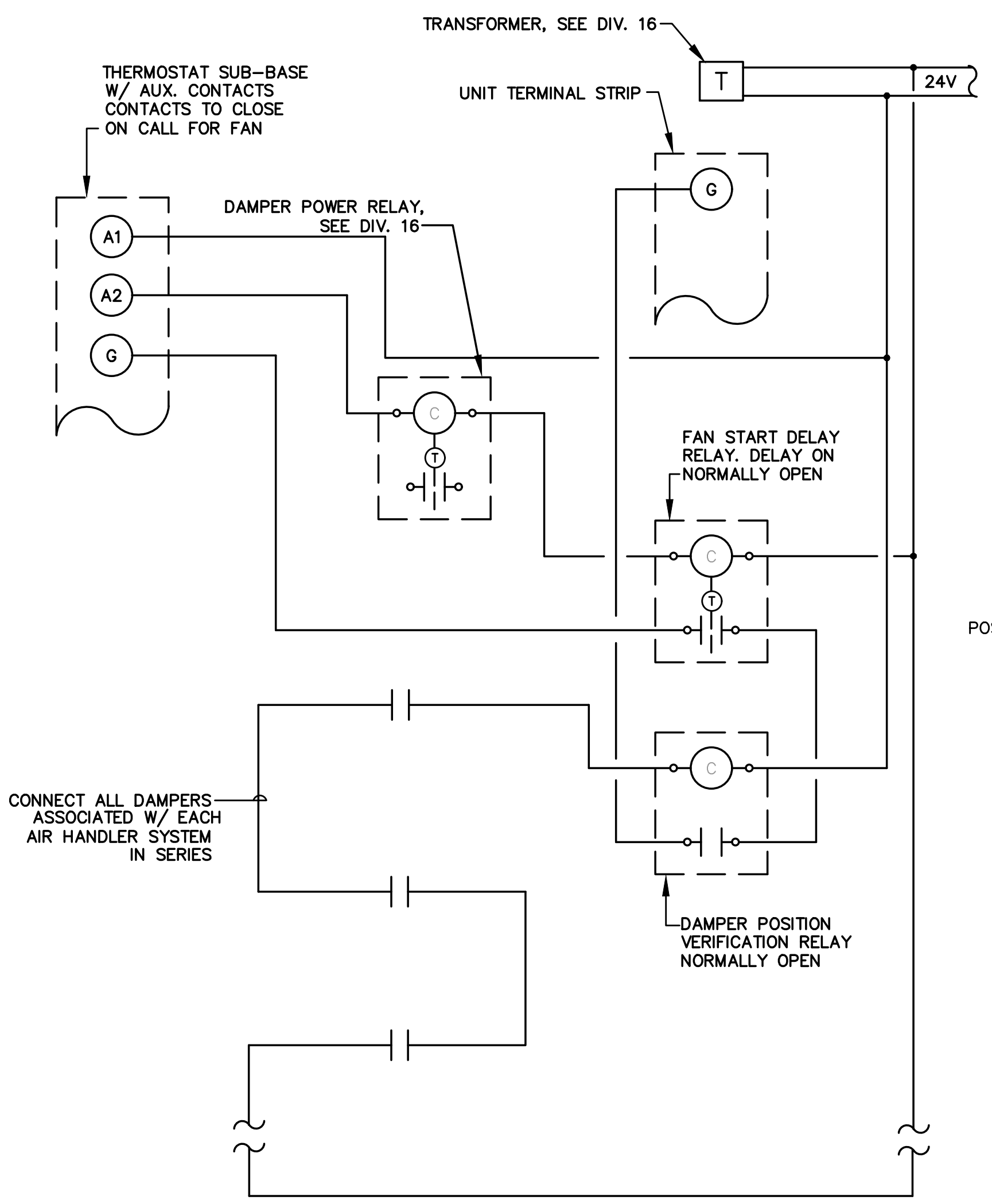
©2020 WILLIAM KAVEN ARCHITECTURE  
This document is an instrument of service prepared by  
William Kaven Architecture, which owns all common  
law, statutory and other rights with regard to it,  
including copyright. This document may be used only  
for permitted purposes in connection with the indicated  
project. Other uses are prohibited without the express  
written consent of William Kaven Architecture.

DATE June 17, 2022  
JOB NO. 18.16

DRAWING NO.

**M6.02**

CONSTRUCTION



**2 FIRE/SMOKE DAMPER W/SMOKE DETECTOR**  
M602 NOT TO SCALE

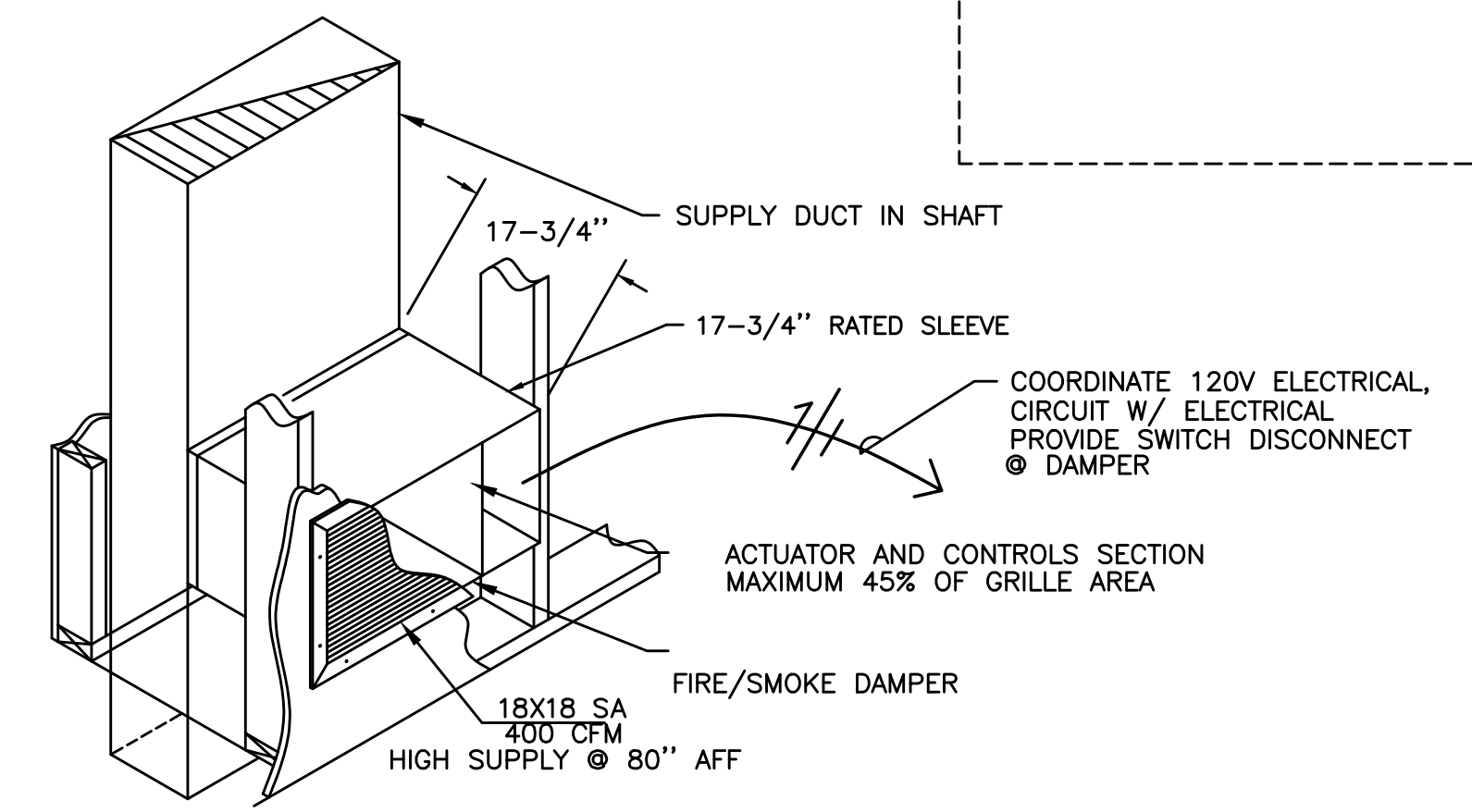
**NOTE:**

PROVIDE ALL REQUIRED CONTROL WIRING TO ACCOMPLISH:  
**FIRE/SMOKE DAMPER** - FIRE/SMOKE DAMPER TO CLOSE UPON ACTIVATION OF LOCAL SMOKE DETECTOR  
**EXHAUST DUCTS/FANS** - FIRE/SMOKE DAMPER TO CLOSE UPON SHUTDOWN OF ASSOCIATED EXHAUST FAN.  
**SUPPLY OR RETURN DUCTS/FANS** - FIRE/SMOKE DAMPER TO CLOSE UPON SHUTDOWN OF ASSOCIATED AIR HANDLING UNIT.

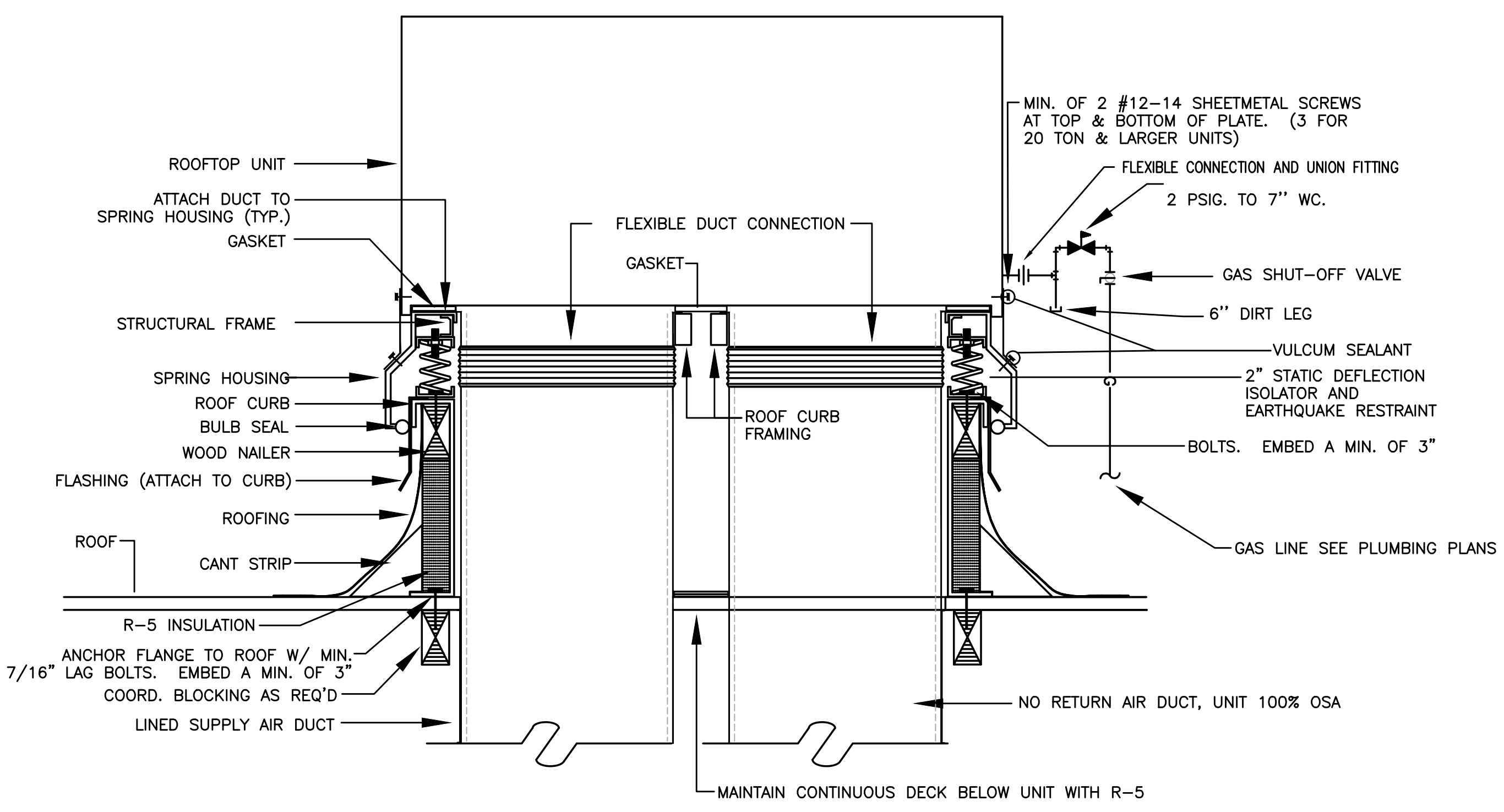
**GENERAL NOTES:**

PROVIDE ACCESS IN CEILING OR WALL FOR DAMPER AND SMOKE DETECTOR  
SEE ELECTRICAL DRAWINGS FOR WIRING INSTALLATION

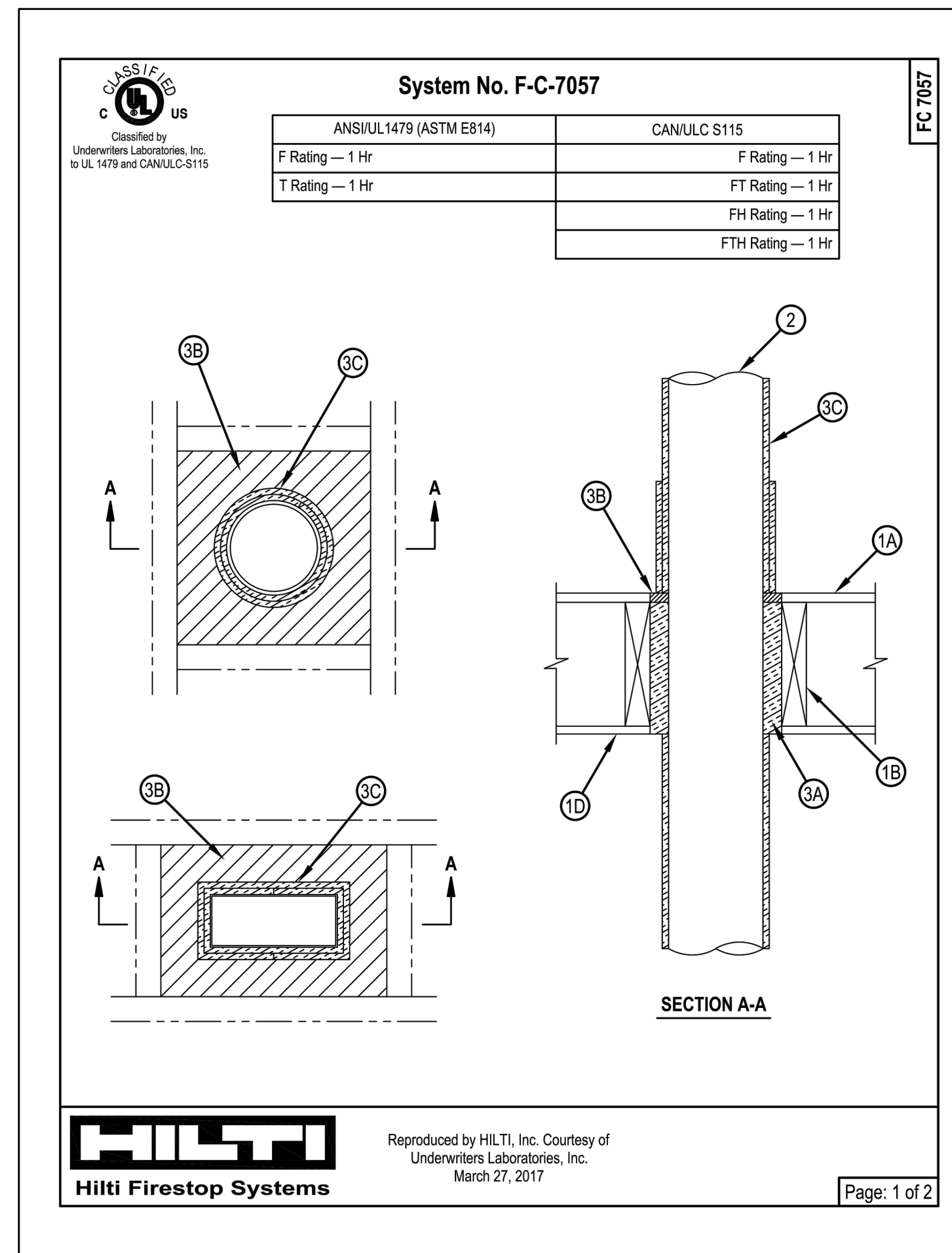
ACCESS FOR FSD THROUGH THE FACE OF SUPPLY GRILL



**1 HIGH SUPPLY W/ FIRE/SMOKE DAMPER**  
M602 SCALE: DETAIL



**3 ROOF TOP UNIT W/ VIBRATION ISOLATION CURB**  
M602 SCALE: DETAIL



**4 FIRE PENETRATION DETAIL - 6" DUCTS - HORIZONTAL**  
M602 DETAIL