

KEY NOTES:

- (A) — PANASONIC WHISPERGREEN CEILING FAN WITH 4"Ø DUCT TO ROOF OR EXTERIOR WALL TERMINATION VIA SOFFIT(S) PROVIDED. BACK DRAFT DAMPER INTEGRAL TO FAN, FAN TO OPERATE AT LOW SPEED CONTINUOUS (30CFM) AND INCREASE TO 80CFM WHEN BUILT-IN MOTION SENSOR IS ACTIVATED. INSULATED FINAL 5' OF DUCTWORK. NO DUCTWORK SHALL PENETRATE RATED ASSEMBLY. SEE (1) (M601) (EF 1)
- (B) — 6"Ø HOOD DUCT TO ROOF/EXTERIOR WALL TERMINATION VIA SOFFIT(S) PROVIDED. BACK DRAFT DAMPER INTEGRAL TO HOOD. INSULATED FINAL 5' OF DUCTWORK. NO DUCTWORK SHALL PENETRATE RATED ASSEMBLY. HOOD FAN TO OPERATE INTERMITTENTLY. SEE (2) (M600)
- (C) — FOR 4" UL FIRE PENETRATION DETAIL, SEE (1) (M600)
- (D) — FOR 6" FIRE PENETRATION DETAIL, SEE (1) (M600)
- (E) — 4" BATH EXHAUST AND 6" RANGE EXHAUST UP TO TO ROOF.
- (F) — LINE SETS FOR FUTURE TI SPLIT SYSTEMS, FROM LEVEL 1 RETAIL SPACE TO ROOF.
- (G) — 1.5KW WALL HEATER QMARK AWH4404F OR EQUAL. EQUIPMENT BY ELECTRICAL CONTRACTOR. SHOWN FOR REFERENCE ONLY.
- (H) — FOR AC PORT DETAIL, SEE (4) (M601)
- (I) — FOR REFRIGERANT ROOF PENETRATION, SEE (3) (M601)
- (J) — FOR ROOFTOP OUTLET HOOD SEE (5) (M601)
- (K) — 12X12 GREASE EXHAUST (WITH FIRE WRAP IN 22X22 SHAFT SPACE) ROUTED FROM ROOF (CAPPED) TO TI SPACE (CAPPED FOR FUTURE TI). PROVIDE VENTED CURB ADAPTER AND CAP FOR FUTURE GREASE EXHAUST FAN.
- (L) — SUPPLY AIR OR RETURN GRILLE, SIZED FOR BOTH FREE AREA AND FOR ACTUATOR ACCESS, SEE (1) (M602) FOR GRILLE INSTALLATION, AND SEE (2) (M602) FOR TYPICAL F/S INSTALLATION AND CONTROLS.
- (M) — EXTERIOR EXHAUST PLENUM — SEE (2) (M601) MAINTAIN 36" CLEAR TO OPERABLE WINDOWS AND DOORS.
- (N) — 1.5KW (2 KW IN STUDIO UNITS) CADET WALL HEATERS FOR LIVING UNITS, 120V. EQUIPMENT BY ELECTRICAL CONTRACTOR. SHOWN FOR REFERENCE ONLY.

VENTILATION CALCULATIONS:

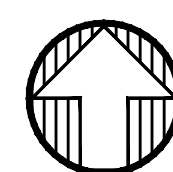
ALL DWELLING UNITS ARE VENTILATED BY NATURAL VENTILATION WITH OPERABLE WINDOWS (NO LIMITERS), BATHROOM EXHAUST FANS RUN CONTINUOUSLY (SIZED PER ASHRAE 62.2).

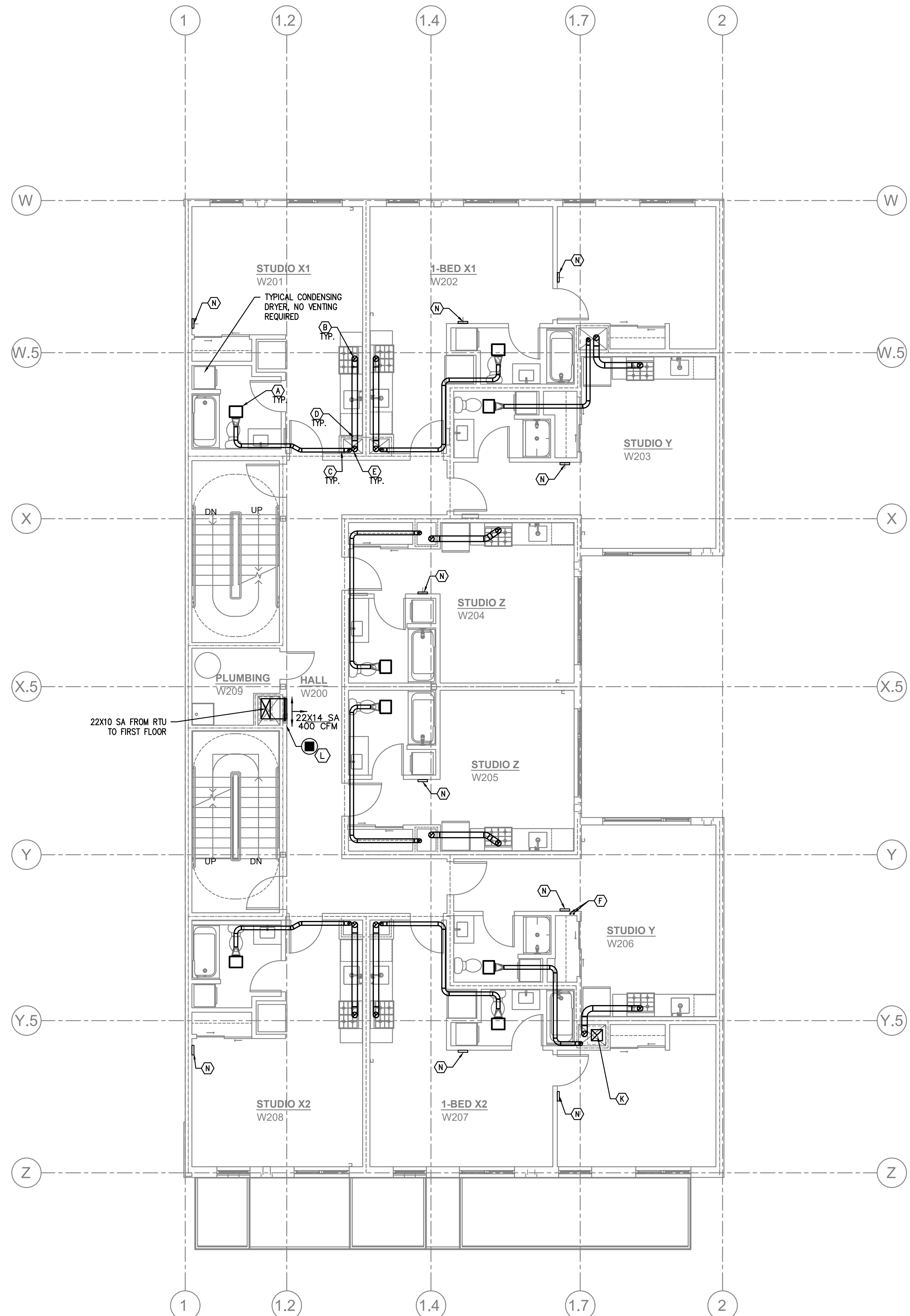
COMMON SPACES AND HALLWAYS ARE VENTILATED BY RTU'S SIZED TO EXCEED THE MINIMUM 0.06 CFM/SQ FT REQUIREMENT

SEE VENTILATION SCHEDULES FOR OTHER UNITS

MINIMUM 18X12 EXHAUST LOUVER COORDINATE EXACT SIZE WITH ARCHITECT

STORE FRONT LOUVERS FOR FUTURE TI SPACE, COORDINATE SIZE AND STYLE WITH ARCHITECT





KEY NOTES:

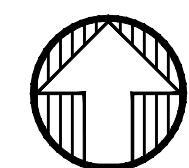
- (A) — PANASONIC WHISPERGREEN CEILING FAN WITH 4" DUCT TO ROOF OR EXTERIOR WALL. TERMINATION VIA SOFFIT(S) PROVIDED. BACK DRAFT DAMPER INTEGRAL TO FAN, FAN TO OPERATE AT LOW SPEED CONTINUOUS (30CFM) AND INCREASE TO 80CFM WHEN BUILT-IN MOTION SENSOR IS ACTIVATED. INSULATED FINAL 5' OF DUCTWORK. NO DUCTWORK SHALL PENETRATE RATED ASSEMBLY. SEE 1 EF 1
- (B) — 6" HOOD DUCT TO ROOF/EXTERIOR WALL TERMINATION VIA SOFFIT(S) PROVIDED. BACK DRAFT DAMPER INTEGRAL TO HOOD. INSULATED FINAL 5' OF DUCTWORK. NO DUCTWORK SHALL PENETRATE RATED ASSEMBLY. HOOD FAN TO OPERATE INTERMITTENTLY.
- (C) — FOR 4" UL FIRE PENETRATION DETAIL, SEE 2 M600
- (D) — FOR 6" FIRE PENETRATION DETAIL, SEE 1 M600
- (E) — 4" BATH EXHAUST AND 6" RANGE EXHAUST UP TO TO ROOF.
- (F) — LINE SETS FOR FUTURE TI SPLIT SYSTEMS, FROM LEVEL 1 RETAIL SPACE TO ROOF.
- (G) — 1.5KW WALL HEATER QMARK AWH4404F OR EQUAL. EQUIPMENT BY ELECTRICAL CONTRACTOR. SHOWN FOR REFERENCE ONLY.
- (H) — FOR AC PORT DETAIL, SEE 4 M601
- (I) — FOR REFRIGERANT ROOF PENETRATION, SEE 3 M601
- (J) — FOR ROOFTOP OUTLET HOOD SEE 5 M601
- (K) — 12X12 GREASE EXHAUST (WITH FIRE WRAP IN 22X22 SHAFT SPACE) ROUTED FROM ROOF (CAPPED) TO TI SPACE (CAPPED FOR FUTURE TI). PROVIDE VENTED CURB ADAPTER AND CAP FOR FUTURE GREASE EXHAUST FAN.
- (L) — SUPPLY AIR OR RETURN GRILLE, SIZED FOR BOTH FREE AREA AND FOR ACTUATOR ACCESS, SEE 1 M602 FOR GRILLE INSTALLATION, AND SEE 2 M602 FOR TYPICAL F/S INSTALLATION AND CONTROLS.
- (M) — EXTERIOR EXHAUST PLENUM — SEE 2 M601 MAINTAIN 36" CLEAR TO OPERABLE WINDOWS AND DOORS.
- (N) — 1.5KW (2 KW IN STUDIO UNITS) CADET WALL HEATERS FOR LIVING UNITS, 120V. EQUIPMENT BY ELECTRICAL CONTRACTOR. SHOWN FOR REFERENCE ONLY.

VENTILATION CALCULATIONS:

ALL DWELLING UNITS ARE VENTILATED BY NATURAL VENTILATION WITH OPERABLE WINDOWS (NO LIMITERS), BATHROOM EXHAUST FANS RUN CONTINUOUSLY (SIZED PER ASHRAE 62.2).

COMMON SPACES AND HALLWAYS ARE VENTILATED BY RTU'S SIZED TO EXCEED THE MINIMUM 0.06 CFM/SQ FT REQUIREMENT

SEE VENTILATION SCHEDULES FOR OTHER UNITS



1 LEVEL 2 — MECH PLAN
M202 SCALE: 3/16" = 1'-0"



PROJECT

30th + Division - West

2923
 SE Division St

DRAWING TITLE

**LEVEL 2 -
 MECH PLAN**

REVISIONS

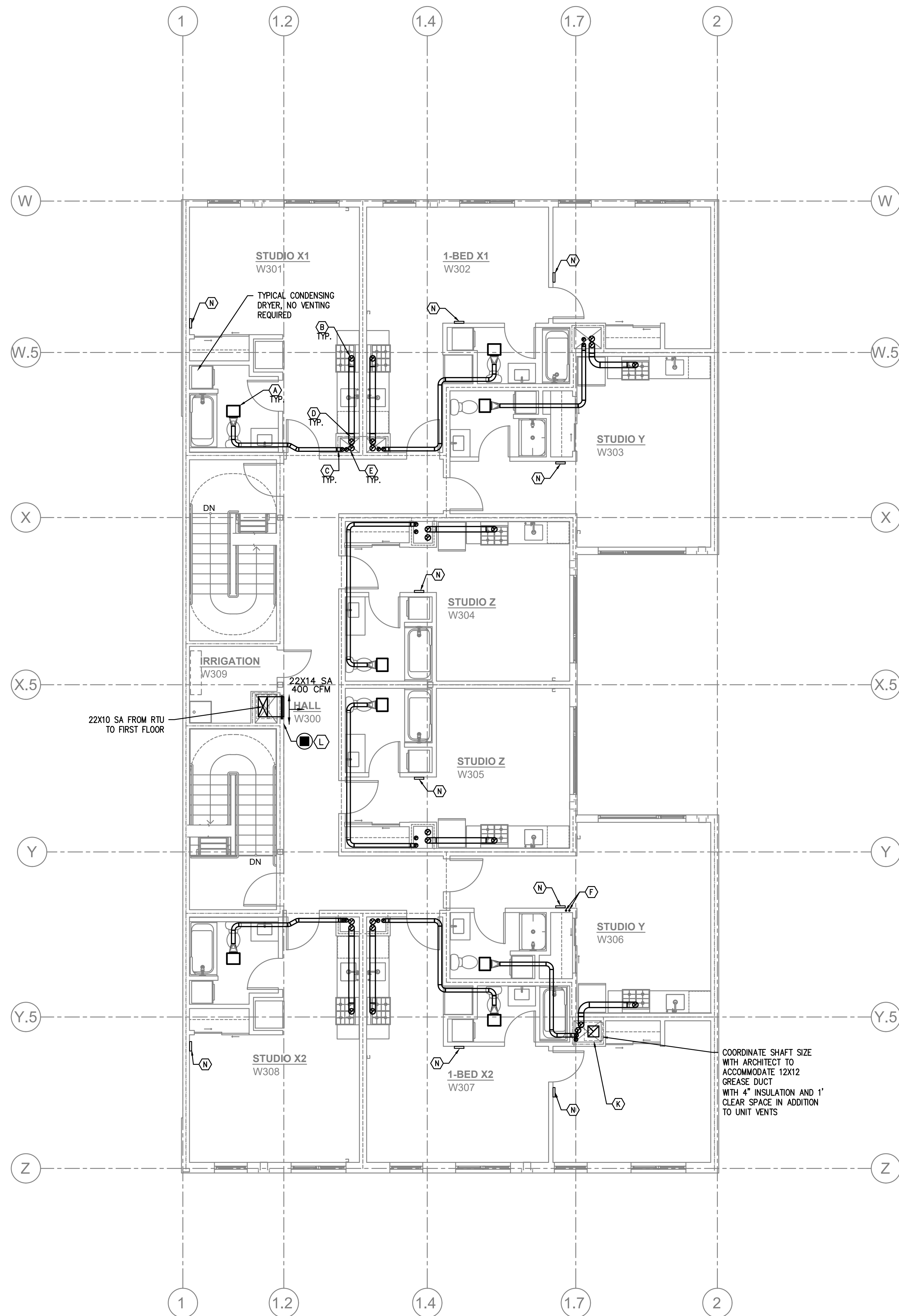
© 2021 WILLIAM KAVEN ARCHITECTURE
 This document is an instrument of service prepared by
 William Kaven Architecture, which owns all common
 law, statutory and other rights with regard to it,
 including copyright. This document may be used only
 for permitted purposes in connection with the indicated
 project. Other uses are prohibited without the express
 written consent of William Kaven Architecture.

DATE	MARCH 05, 2021
JOB NO.	19.01

DRAWING NO.

M202

CONSTRUCTION



KEY NOTES:

- (A) — PANASONIC WHISPERGREEN CEILING FAN WITH 4"Ø DUCT TO ROOF OR EXTERIOR WALL TERMINATION VIA SOFFIT(S) PROVIDED. BACK DRAFT DAMPER INTEGRAL TO FAN, FAN TO OPERATE AT LOW SPEED CONTINUOUS (30CFM) AND INCREASE TO 80CFM WHEN BUILT-IN MOTION SENSOR IS ACTIVATED. INSULATED FINAL 5' OF DUCTWORK. NO DUCTWORK SHALL PENETRATE RATED ASSEMBLY. SEE 1 M601 EF 1
- (B) — 6"Ø HOOD DUCT TO ROOF/EXTERIOR WALL TERMINATION VIA SOFFIT(S) PROVIDED. BACK DRAFT DAMPER INTEGRAL TO HOOD. INSULATED FINAL 5' OF DUCTWORK. NO DUCTWORK SHALL PENETRATE RATED ASSEMBLY. HOOD FAN TO OPERATE INTERMITTENTLY.
- (C) — FOR 4" UL FIRE PENETRATION DETAIL, SEE 2 M600
- (D) — FOR 6" FIRE PENETRATION DETAIL, SEE 1 M600
- (E) — 4" BATH EXHAUST AND 6" RANGE EXHAUST UP TO TO ROOF.
- (F) — LINE SETS FOR FUTURE TI SPLIT SYSTEMS, FROM LEVEL 1 RETAIL SPACE TO ROOF.
- (G) — 1.5KW WALL HEATER QMARK AWH4404F OR EQUAL. EQUIPMENT BY ELECTRICAL CONTRACTOR. SHOWN FOR REFERENCE ONLY.
- (H) — FOR AC PORT DETAIL, SEE 4 M601
- (I) — FOR REFRIGERANT ROOF PENETRATION, SEE 3 M601
- (J) — FOR ROOFTOP OUTLET HOOD SEE 5 M601
- (K) — 12X12 GREASE EXHAUST (WITH FIRE WRAP IN 22X22 SHAFT SPACE) ROUTED FROM ROOF (CAPPED) TO TI SPACE (CAPPED FOR FUTURE TI). PROVIDE VENTED CURB ADAPTER AND CAP FOR FUTURE GREASE EXHAUST FAN.
- (L) — SUPPLY AIR OR RETURN GRILLE, SIZED FOR BOTH FREE AREA AND FOR ACTUATOR ACCESS, SEE 1 M602 FOR GRILLE INSTALLATION, AND SEE 2 M602 FOR TYPICAL F/S INSTALLATION AND CONTROLS.
- (M) — EXTERIOR EXHAUST PLENUM — SEE 2 M601 MAINTAIN 36" CLEAR TO OPERABLE WINDOWS AND DOORS.
- (N) — 1.5KW (2 KW IN STUDIO UNITS) CADET WALL HEATERS FOR LIVING UNITS, 120V. EQUIPMENT BY ELECTRICAL CONTRACTOR. SHOWN FOR REFERENCE ONLY.

VENTILATION CALCULATIONS:

ALL DWELLING UNITS ARE VENTILATED BY NATURAL VENTILATION WITH OPERABLE WINDOWS (NO LIMITERS), BATHROOM EXHAUST FANS RUN CONTINUOUSLY (SIZED PER ASHRAE 62.2).

COMMON SPACES AND HALLWAYS ARE VENTILATED BY RTU'S SIZED TO EXCEED THE MINIMUM 0.06 CFM/SQ FT REQUIREMENT

SEE VENTILATION SCHEDULES FOR OTHER UNITS

COORDINATE SHAFT SIZE WITH ARCHITECT TO ACCOMMODATE 12X12 GREASE DUCT WITH 4" INSULATION AND 1' CLEAR SPACE IN ADDITION TO UNIT VENTS



PROJECT

30th + Division - West

2923
SE Division St

DRAWING TITLE

**LEVEL 3 -
MECH PLAN**

REVISIONS

© 2020 WILLIAM KAVEN ARCHITECTURE
This document is an instrument of service prepared by William Kaven Architecture, which owns all common law, statutory and other rights with regard to it, including copyright. This document may be used only for permitted purposes in connection with the indicated project. Other uses are prohibited without the express written consent of William Kaven Architecture.

DATE	MARCH 05, 2021
JOB NO.	19.01

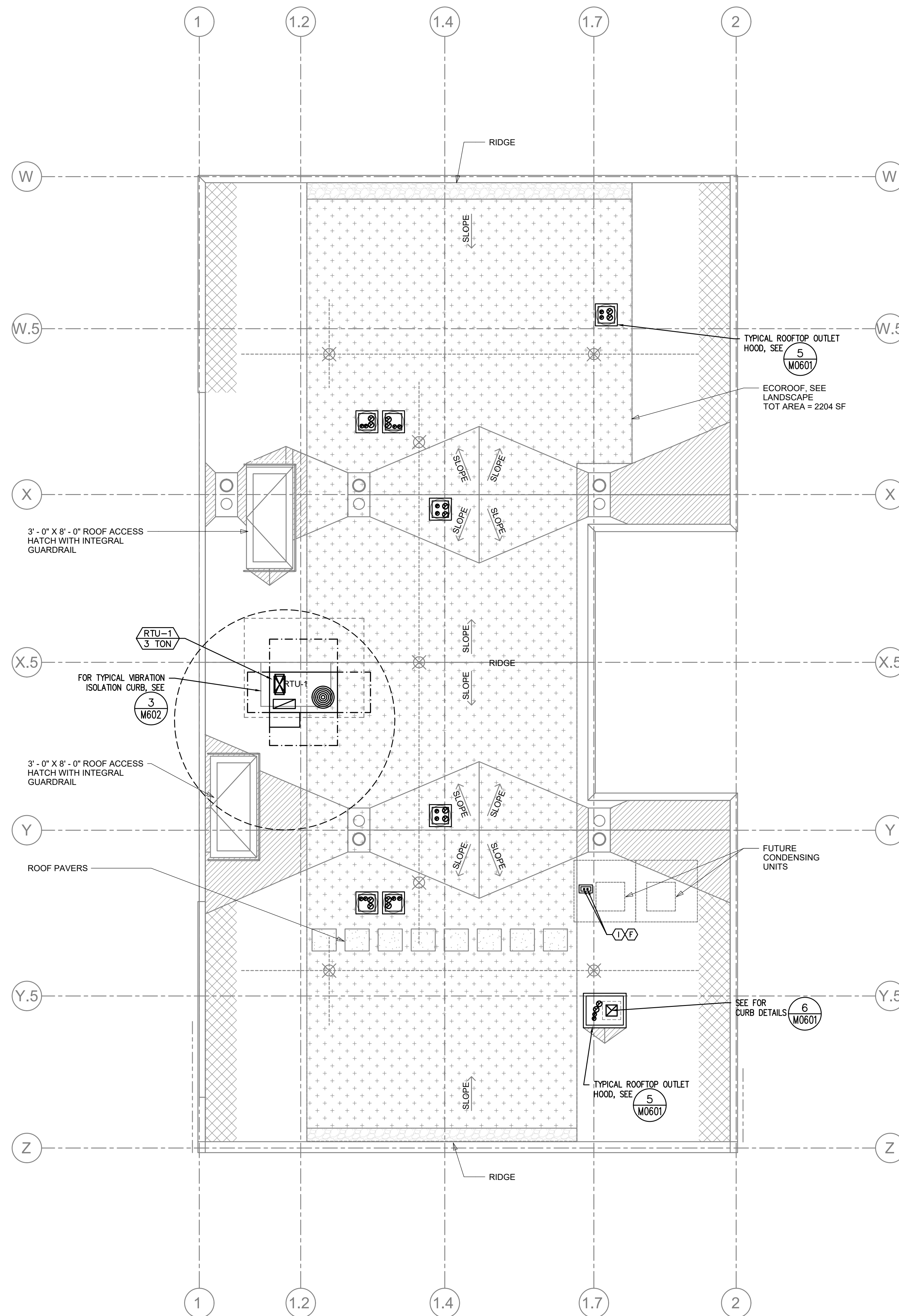
DRAWING NO.

M203

CONSTRUCTION



1 LEVEL 3 — MECH PLAN
M203 SCALE: 3/16" = 1'-0"



KEY NOTES:

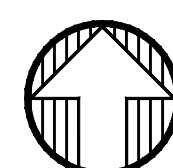
- (A) — PANASONIC WHISPERGREEN CEILING FAN WITH 4"Ø DUCT TO ROOF OR EXTERIOR WALL TERMINATION VIA SOFFIT(S) PROVIDED. BACK DRAFT DAMPER INTEGRAL TO FAN, FAN TO OPERATE AT LOW SPEED CONTINUOUS (30CFM) AND INCREASE TO 80CFM WHEN BUILT-IN MOTION SENSOR IS ACTIVATED. INSULATED FINAL 5' OF DUCTWORK. NO DUCTWORK SHALL PENETRATE RATED ASSEMBLY. SEE (1) (M601) (EF) (1)
- (B) — 6"Ø HOOD DUCT TO ROOF/EXTERIOR WALL TERMINATION VIA SOFFIT(S) PROVIDED. BACK DRAFT DAMPER INTEGRAL TO HOOD. INSULATED FINAL 5' OF DUCTWORK. NO DUCTWORK SHALL PENETRATE RATED ASSEMBLY. HOOD FAN TO OPERATE INTERMITTENTLY. SEE (2) (M600)
- (C) — FOR 4" UL FIRE PENETRATION DETAIL, SEE (1) (M600)
- (D) — FOR 6" FIRE PENETRATION DETAIL, SEE (1) (M600)
- (E) — 4" BATH EXHAUST AND 6" RANGE EXHAUST UP TO TO ROOF.
- (F) — LINE SETS FOR FUTURE TI SPLIT SYSTEMS, FROM LEVEL 1 RETAIL SPACE TO ROOF.
- (G) — 1.5KW WALL HEATER QMARK AWH4404F OR EQUAL. EQUIPMENT BY ELECTRICAL CONTRACTOR. SHOWN FOR REFERENCE ONLY.
- (H) — FOR AC PORT DETAIL, SEE (4) (M601)
- (I) — FOR REFRIGERANT ROOF PENETRATION, SEE (3) (M601)
- (J) — FOR ROOFTOP OUTLET HOOD SEE (5) (M601)
- (K) — 12X12 GREASE EXHAUST (WITH FIRE WRAP IN 22X22 SHAFT SPACE) ROUTED FROM ROOF (CAPPED) TO TI SPACE (CAPPED FOR FUTURE TI). PROVIDE VENTED CURB ADAPTER AND CAP FOR FUTURE GREASE EXHAUST FAN.
- (L) — SUPPLY AIR OR RETURN GRILLE, SIZED FOR BOTH FREE AREA AND FOR ACTUATOR ACCESS, SEE (1) (M602) FOR GRILLE INSTALLATION, AND SEE (2) (M602) FOR TYPICAL F/S INSTALLATION AND CONTROLS.
- (M) — EXTERIOR EXHAUST PLENUM — SEE (2) (M601) MAINTAIN 36" CLEAR TO OPERABLE WINDOWS AND DOORS.
- (N) — 1.5KW (2 KW IN STUDIO UNITS) CADET WALL HEATERS FOR LIVING UNITS, 120V. EQUIPMENT BY ELECTRICAL CONTRACTOR. SHOWN FOR REFERENCE ONLY.

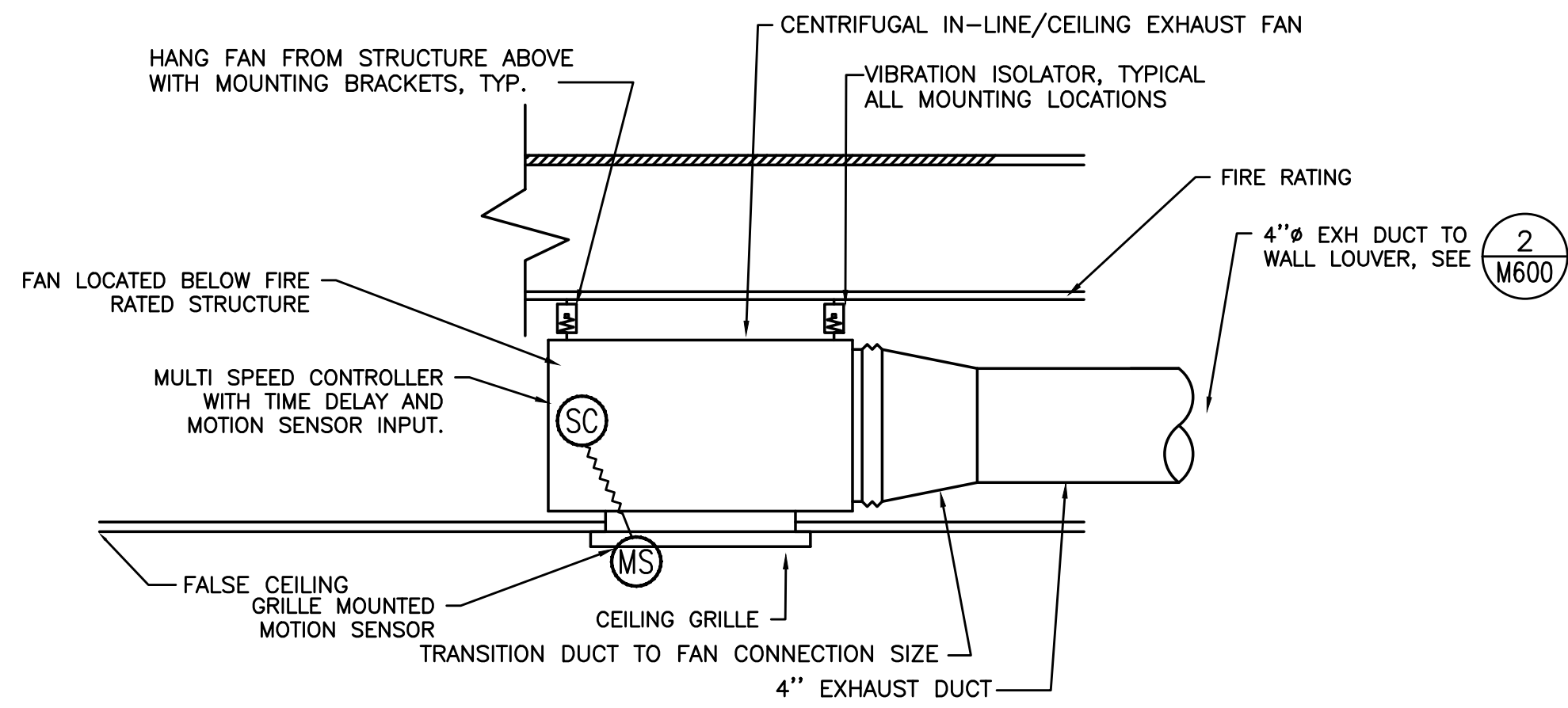
VENTILATION CALCULATIONS:

ALL DWELLING UNITS ARE VENTILATED BY NATURAL VENTILATION WITH OPERABLE WINDOWS (NO LIMITERS), BATHROOM EXHAUST FANS RUN CONTINUOUSLY (SIZED PER ASHRAE 62.2).

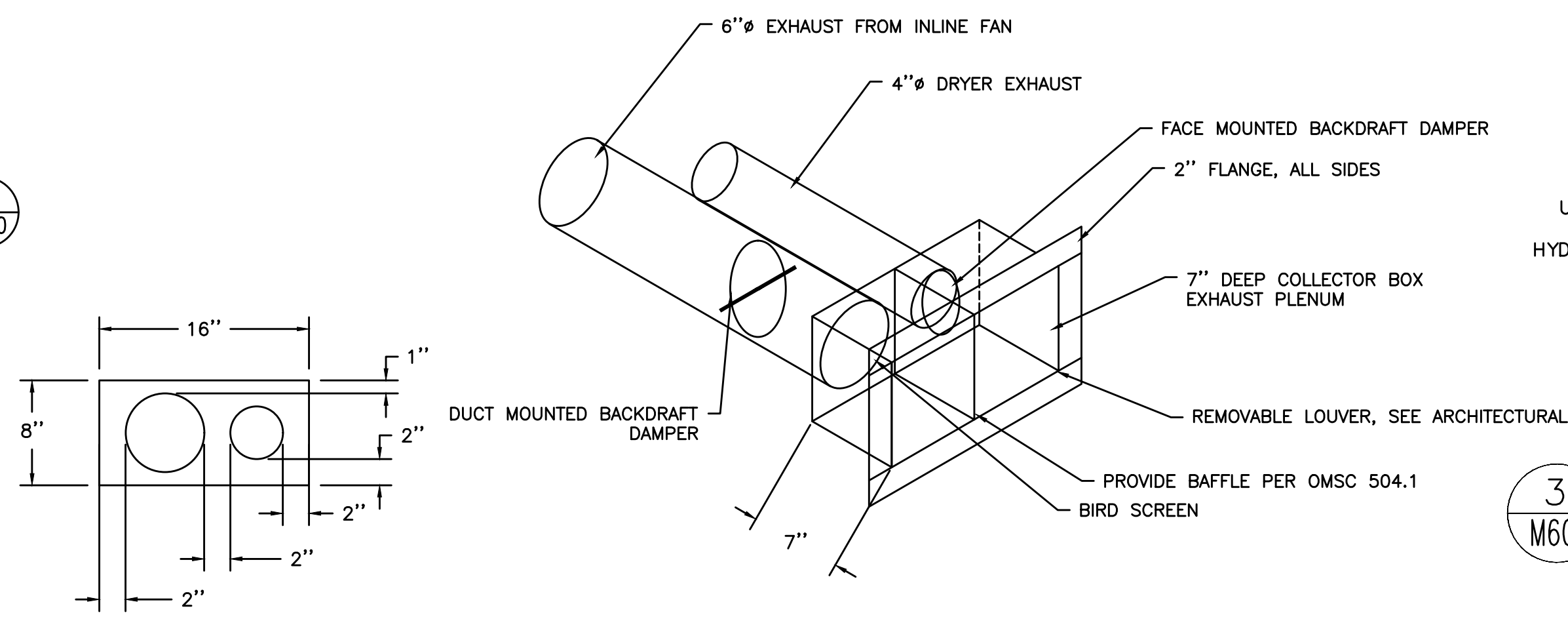
COMMON SPACES AND HALLWAYS ARE VENTILATED BY RTU'S SIZED TO EXCEED THE MINIMUM 0.06 CFM/SQ FT REQUIREMENT

SEE VENTILATION SCHEDULES FOR OTHER UNITS

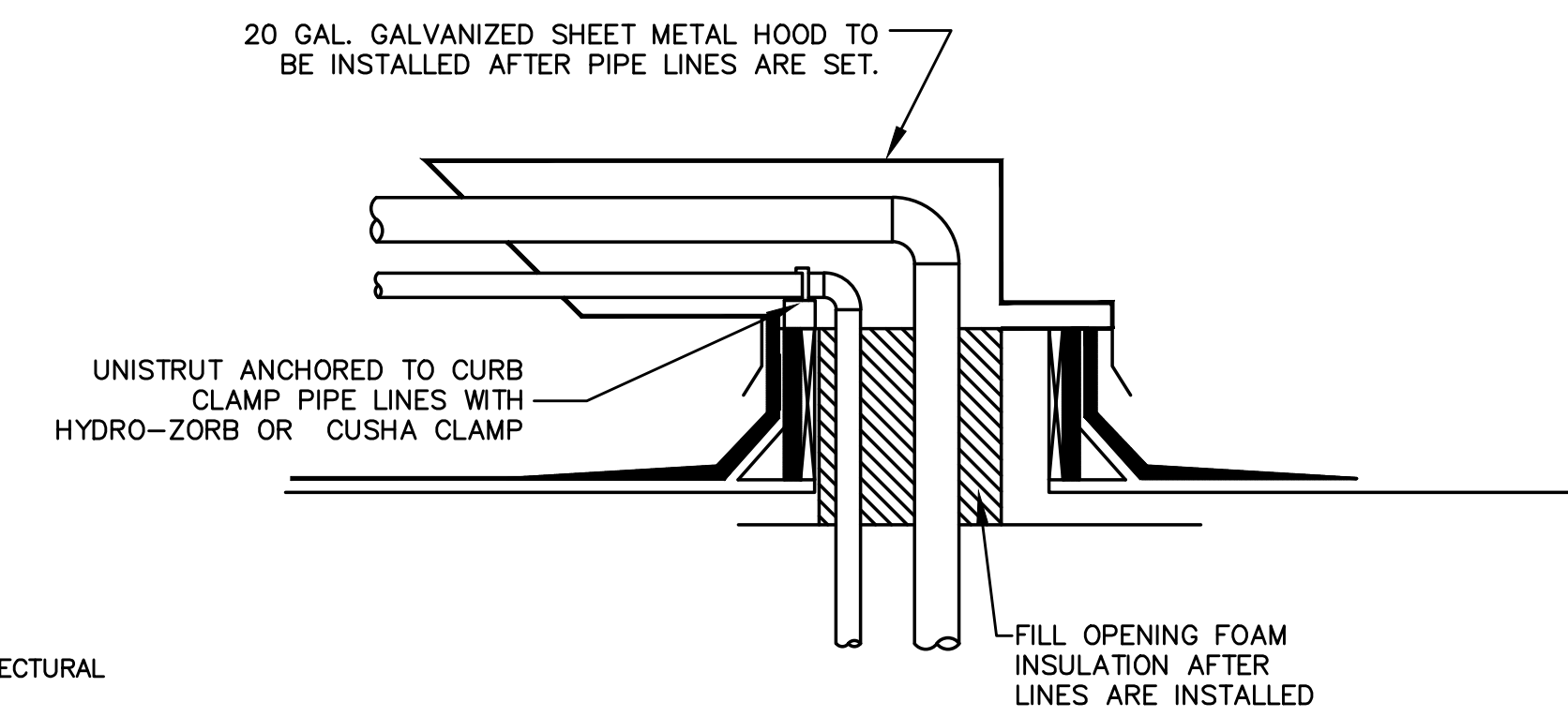




1 RESTROOM EXHAUST FAN
SCALE: DETAIL

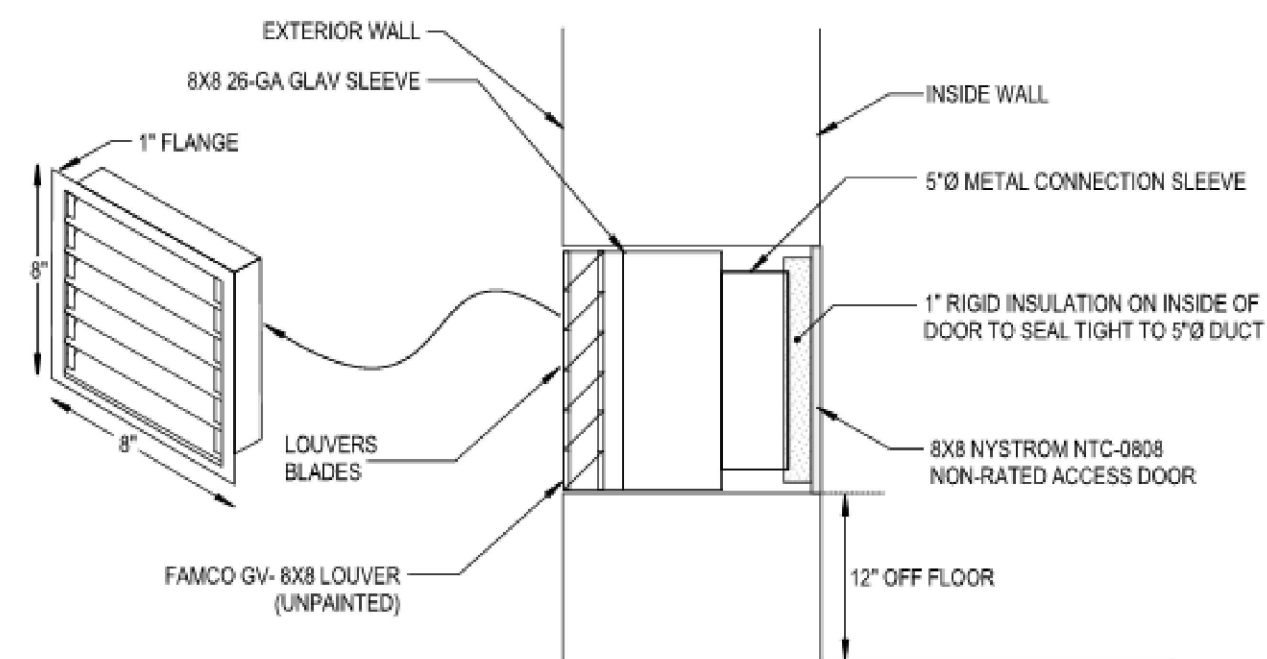
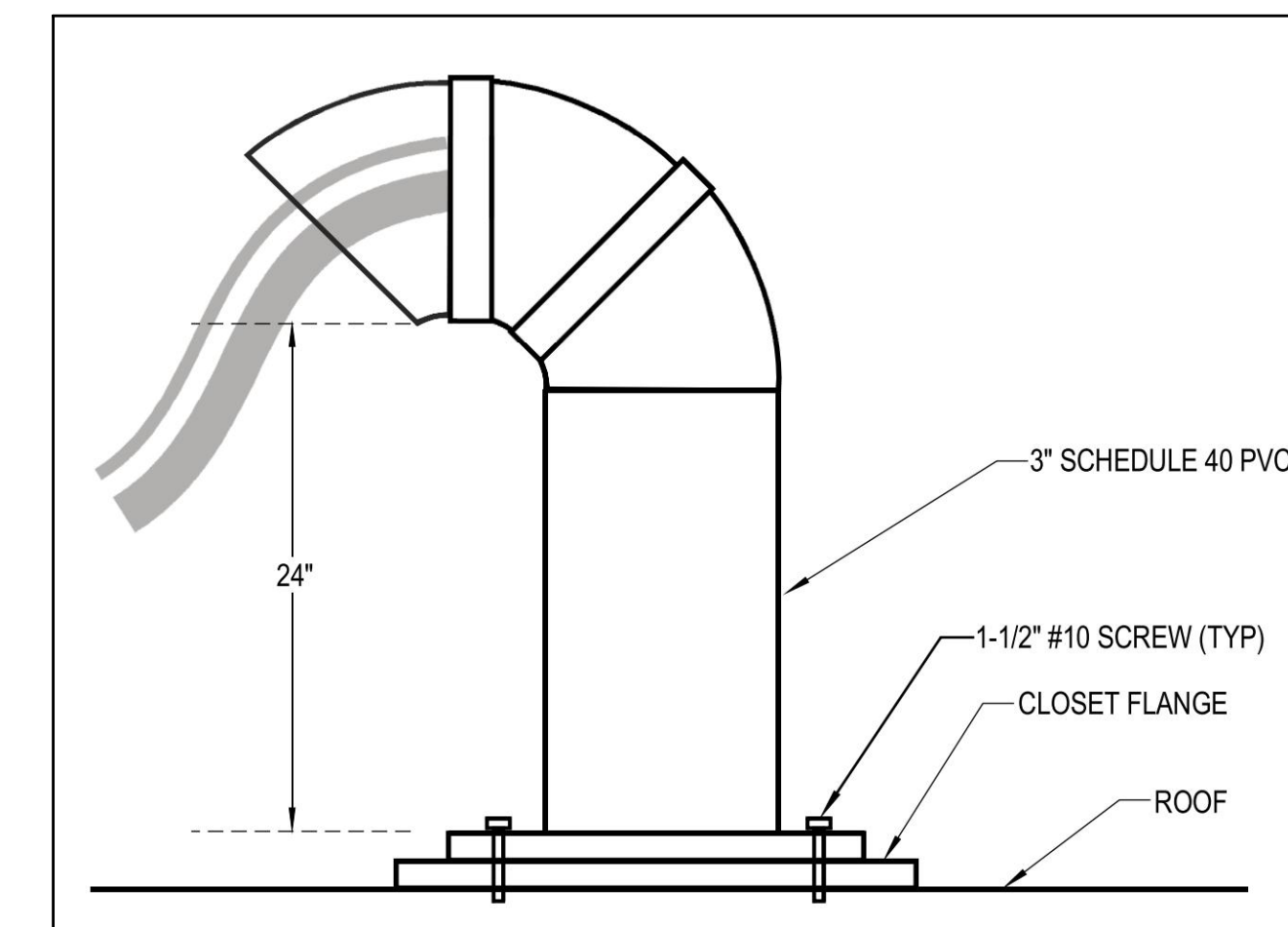


2 SIDE WALL DWELLING UNIT VENTING
NOT TO SCALE

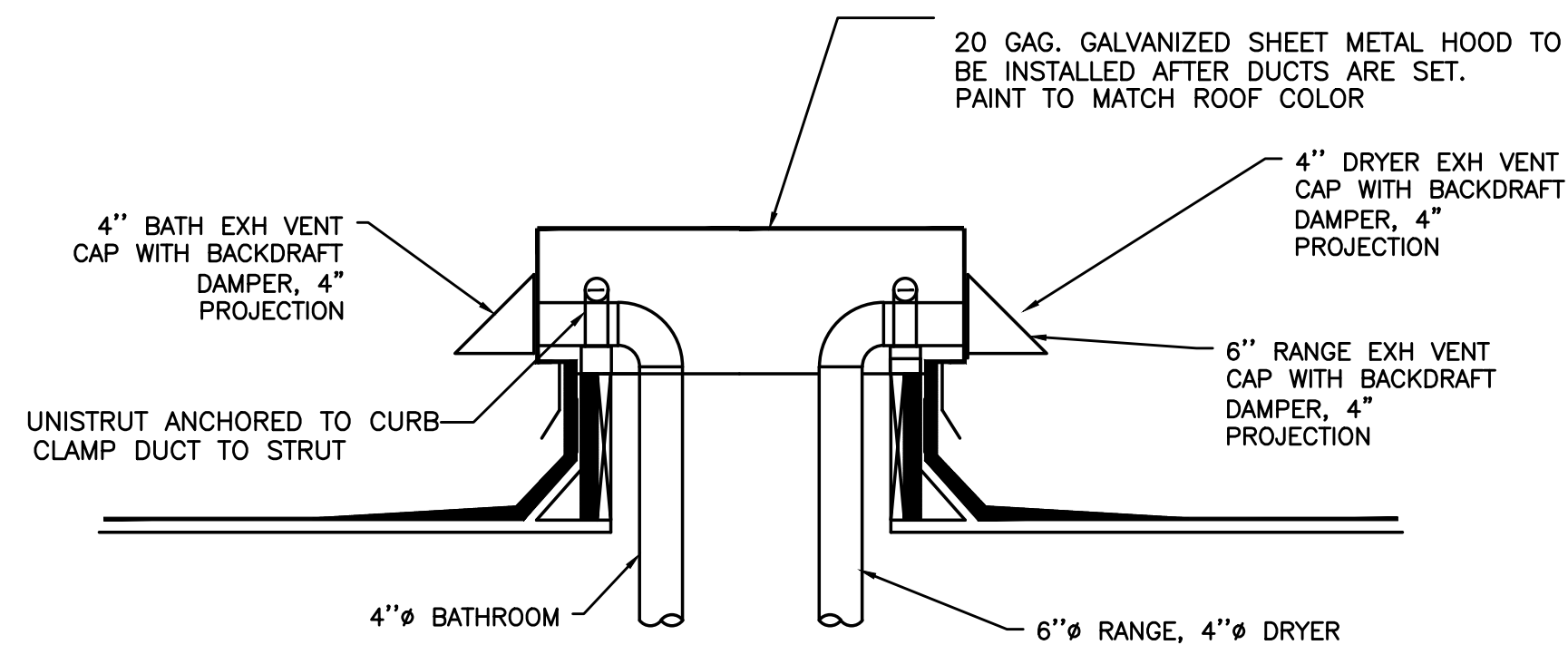


3 REFRIGERANT ROOF PENETRATIONS
DETAIL

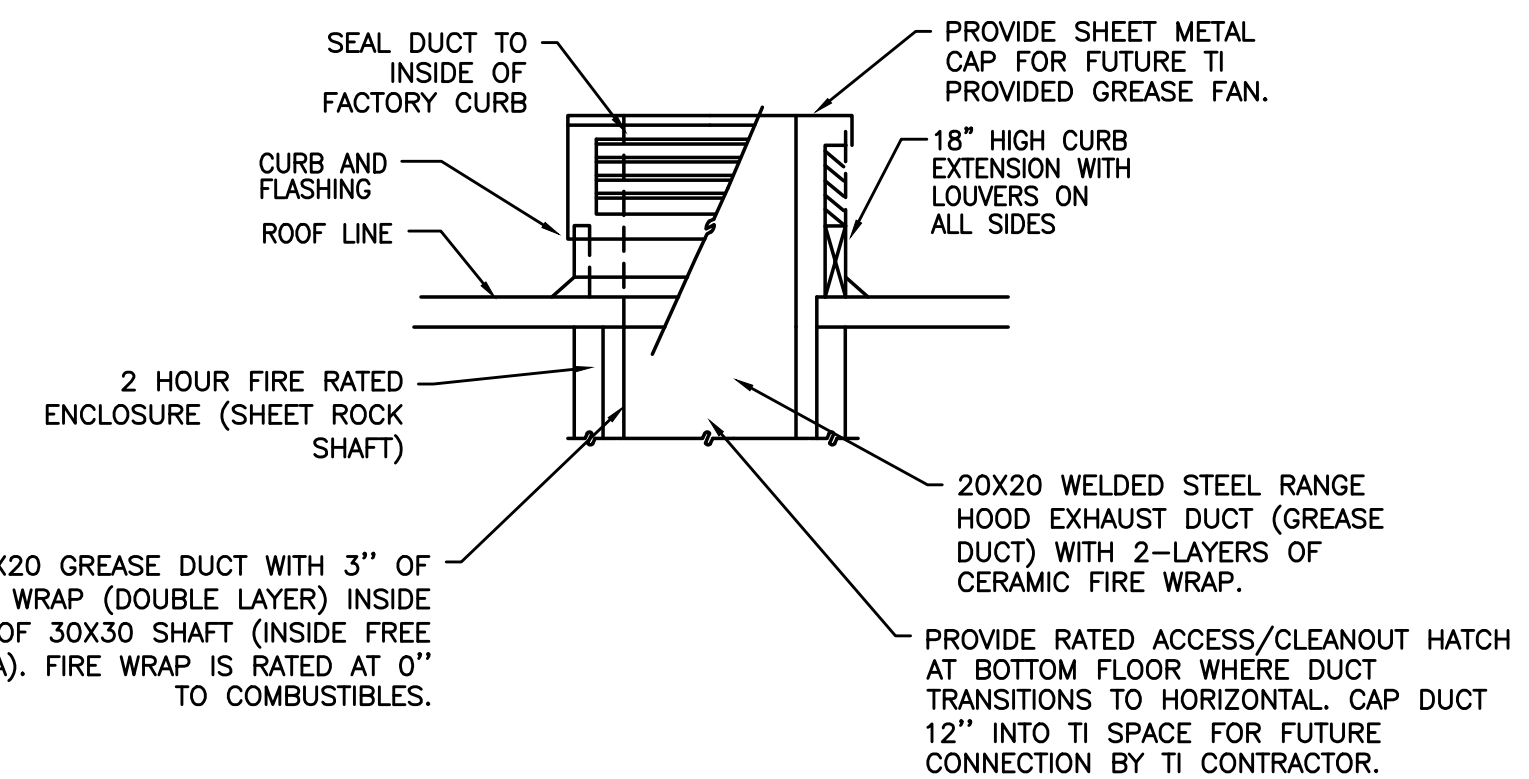
OR



4 AC VENT PORT WITH ACCESS DOOR
NOT TO SCALE



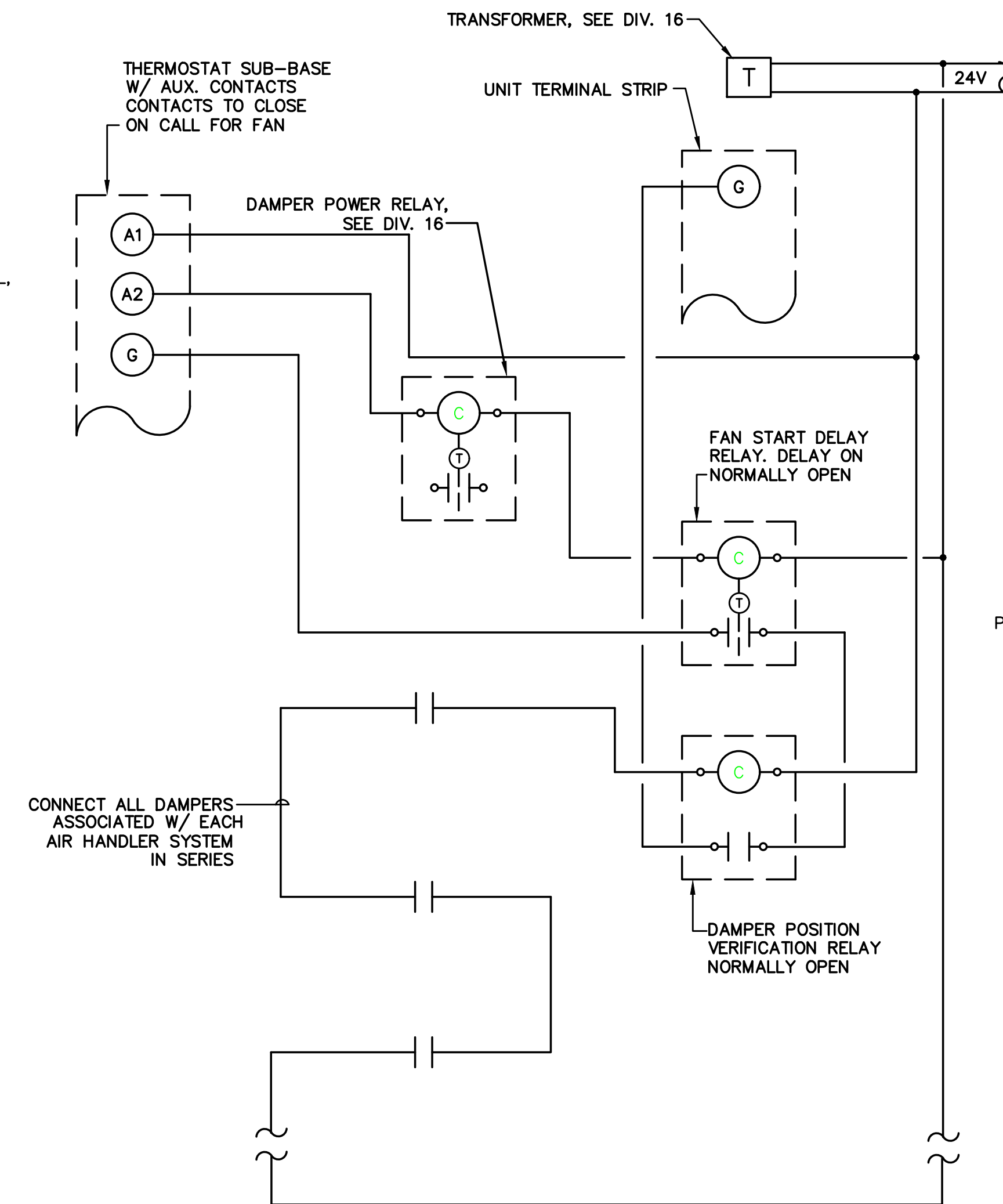
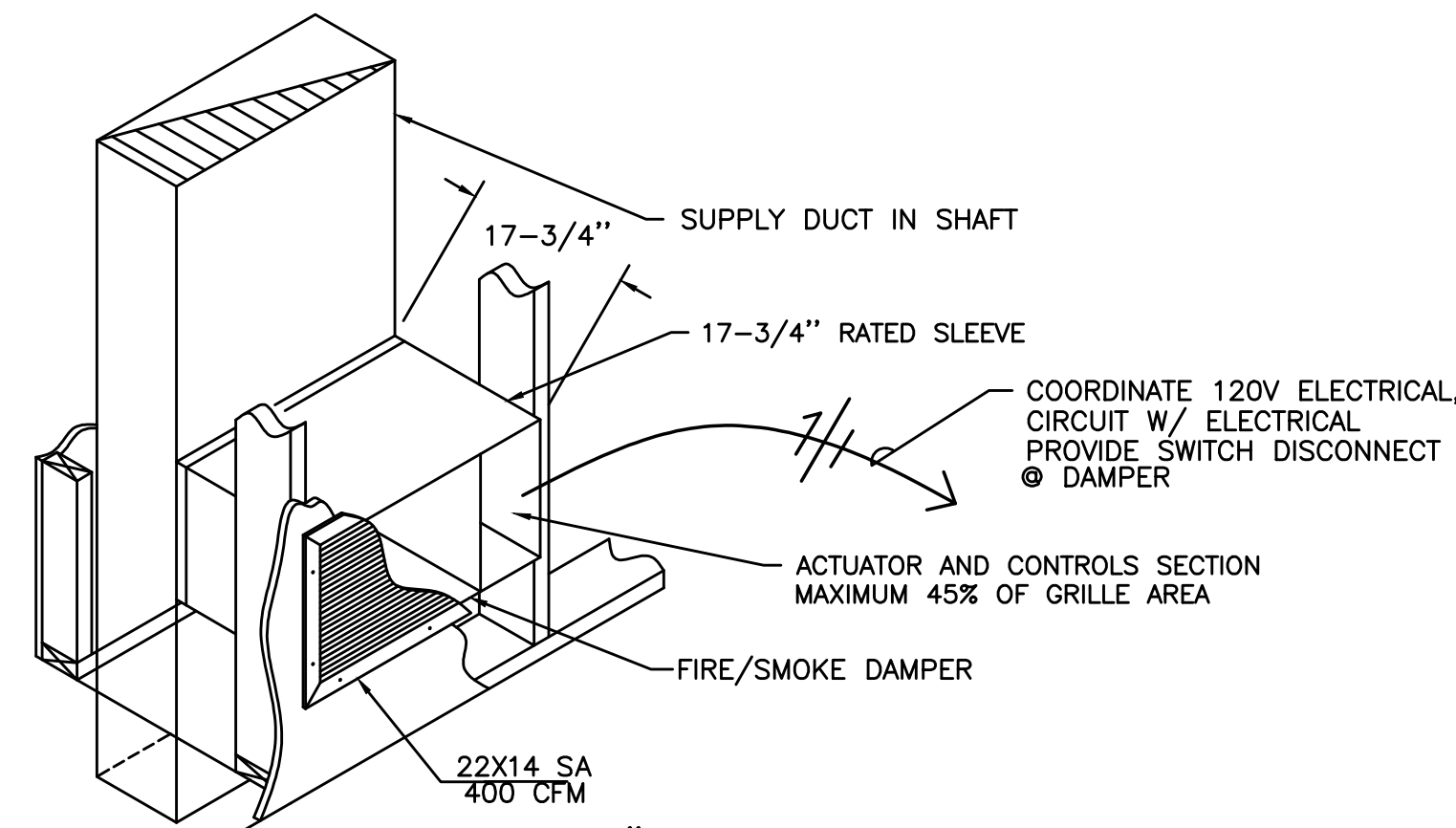
5 ROOFTOP OUTLET HOOD
NOT TO SCALE



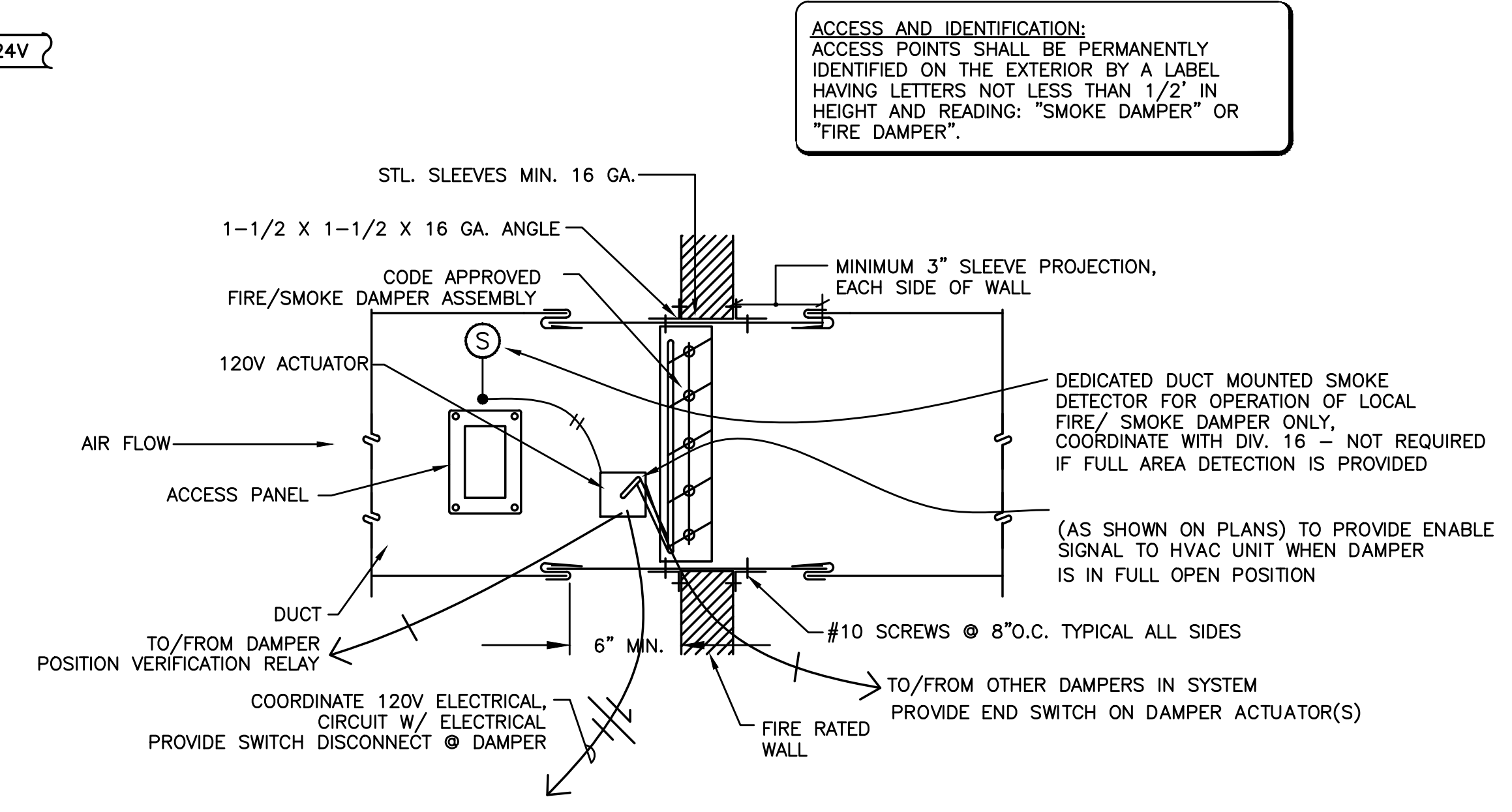
6 GREASE DUCT/CURB TERMINATION
NOT TO SCALE



1 HIGH SUPPLY W/ FIRE/SMOKE DAMPER
SCALE: DETAIL



2 FIRE/SMOKE DAMPER W/SMOKE DETECTOR
NOT TO SCALE



NOTE:
PROVIDE ALL REQUIRED CONTROL WIRING TO ACCOMPLISH:
FIRE/SMOKE DAMPER - FIRE/SMOKE DAMPER TO CLOSE UPON ACTIVATION OF LOCAL SMOKE DETECTOR
EXHAUST DUCTS/FANS - FIRE/SMOKE DAMPER TO CLOSE UPON SHUTDOWN OF ASSOCIATED EXHAUST FAN.
SUPPLY OR RETURN DUCTS/FANS - FIRE/SMOKE DAMPER TO CLOSE UPON SHUTDOWN OF ASSOCIATED AIR HANDLING UNIT.

GENERAL NOTES:
PROVIDE ACCESS IN CEILING OR WALL FOR DAMPER AND SMOKE DETECTOR
SEE ELECTRICAL DRAWINGS FOR WIRING INSTALLATION

3 ROOF TOP UNIT W/ VIBRATION ISOLATION CURB
SCALE: DETAIL

