

Grilles, Registers, Diffusers Submittals

No Exceptions Make Corrections Rejected
 Submit Specified Item Revise & Submit

Checking is only to verify general conformance and compliance with the design concept and contract documents. Subcontractor or supplier is responsible for dimensions, errors and omissions in these drawings or lists which he shall confirm and correlate at the jobsite with his work or fabrication and with that of other trades affected by his work. He shall be responsible for any deviation from the contract documents or these drawings or lists unless he has obtained written approval to do so, and shall be responsible for the satisfactory completion of his work.

CS Construction

1506 NE 1st Street, unit #1 Bend, OR 97701 (541) 617-9190

Date: 6/8/15 By: Matt Freeman

Submittal #3 - 23 30 00 Air Distribution

Job Name: Jewell Elementary School
Job Location: Bend, OR
Date Printed: 6/4/2015
Spec Section: 15 - HVAC

Contact: 2220 SE NINTH AVENUE
PORTLAND,, OR 97214

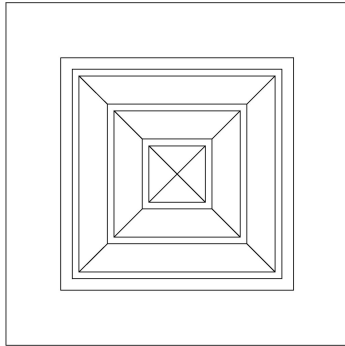


All-In-One
Detailed Submittal Schedule
Grilles, Registers, Diffusers

#	Qty	Model	Tag	Description	Unit Sz.	Border	Pattern	Panel Sz.	Panel Neck	Panel Neck Width	Finish	Accessories
1	2	PDDR	(R/A 24x24 T/B) 08x08	Perfor Diffuser,(Non)/Ducted Return-Flush Face,Stl	8, 8	3		24, 24	24	24	B12	DCT
Desc: 3 - T-Bar Lay-In for 1" and 9/16" Flat Tee B12 - White - Powder Coat												
2	7	PDDR	(R/A 24x24 T/B) 22x22	Perfor Diffuser,(Non)/Ducted Return-Flush Face,Stl	22, 22	3		24, 24	24	24	B12	N-DCT
Desc: 3 - T-Bar Lay-In for 1" and 9/16" Flat Tee B12 - White - Powder Coat												
3	1	SMD	(S/A 24x24 T/B) 06"	Steel Louvered Directional Diffuser	6, 6	3P	4A	24, 24	24	24	B12	SR3, 6
Desc: 3P - 1" (25) T-Bar Panel 4A - 4-Way - Style A for Square Inlet Neck B12 - White - Powder Coat												
4	8	SMD	(S/A 24x24 T/B) 12?	Steel Louvered Directional Diffuser	12, 12	3P	4A	24, 24	24	24	B12	3
Desc: 3P - 1" (25) T-Bar Panel 4A - 4-Way - Style A for Square Inlet Neck B12 - White - Powder Coat												

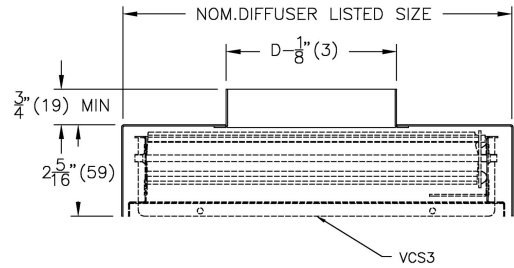
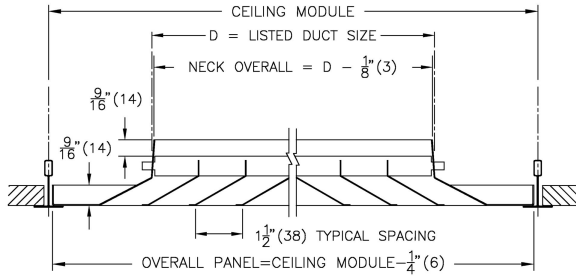
SMD Steel Modular Directional Diffuser

Core Style: 4A 4-Way, Style A for Square Inlet Neck



Border: 3P Steel T-Bar Panel Lay-In 1" (25)

Accessory: SR3 Square to Round Adapter with VCS3 Damper



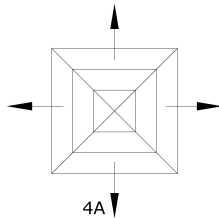
Notes:

- Cores sized in increments of 3" (76) in both directions
- SR3 Square to Round Adaptor (Shipped loose), with Steel Opposed Blade Damper (mounted to Diffuser)
- Directional core removable at diffuser face
- Factory tolerance $\pm 1/32"$ (1)

Material:

- Steel Construction
- Panel: Steel
- SR Adapter: Steel
- Damper: Steel

Plan View:



Finish:

- B12: White Powder Coat

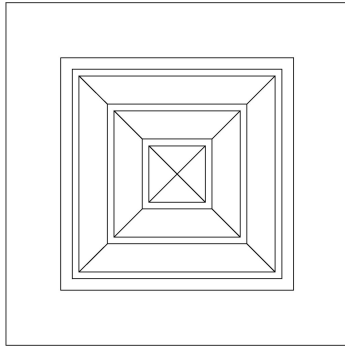
PROJECT: Jewell Elementary School
ENGINEER:
DESCRIPTION: Steel Louvered Directional Diffuser
SMD/11/6/6/3P/4A/24/24/SR3/6//B12

SUBMITTAL NO: 258515-B
CUSTOMER:

SUBMITTAL DATE: 6/4/2015

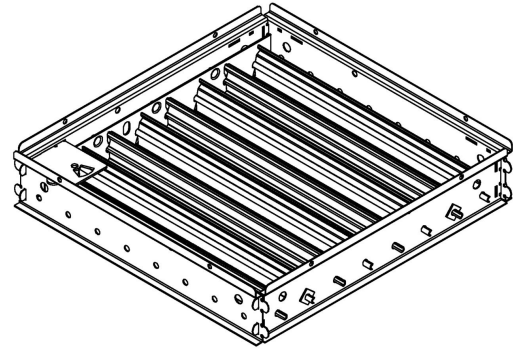
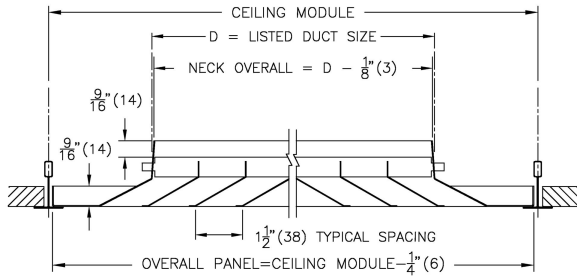
SMD Steel Modular Directional Diffuser

Core Style: 4A 4-Way, Style A for Square Inlet Neck



Border: 3P Steel T-Bar Panel Lay-In 1" (25)

Accessory: VCS3 Opposed Blade Damper



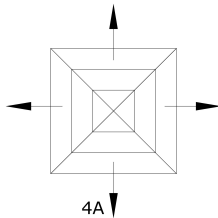
Notes:

- Cores sized in increments of 3" (76) in both directions
- Opposed Blade damper is face operable, shipped mounted
- Directional core removable at diffuser face
- Factory tolerance $\pm 1/32$ " (1)

Material:

- Steel Construction
- Panel: Steel
- Damper: Steel

Plan View:



Finish:

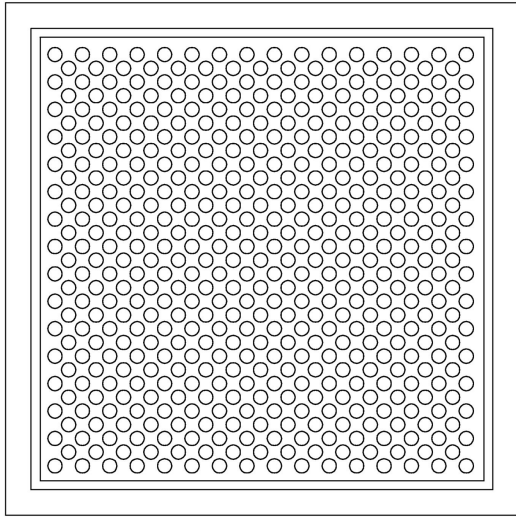
- B12: White Powder Coat

PROJECT: Jewell Elementary School
ENGINEER:
DESCRIPTION: Steel Louvered Directional Diffuser
 SMD//1/12/12/3P/4A/24/24/3//B12

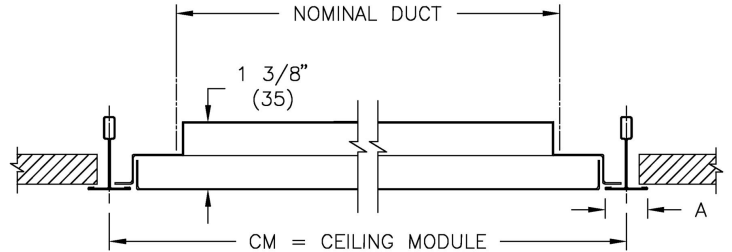
SUBMITTAL NO: 258515-B
CUSTOMER:

SUBMITTAL DATE: 6/4/2015

PDDR Non-Ducted Steel Perforated Flush Face Return Diffuser



Plenum Return



Material:

- Steel Construction

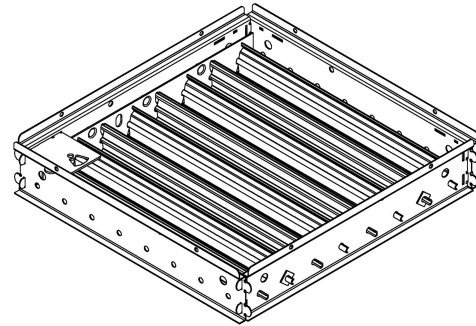
Finish:

- B12: White Powder Coat

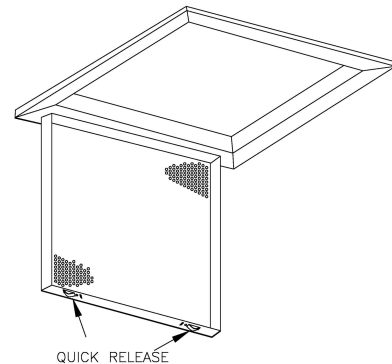
Notes:

- Hinged, removable perforated faceplate with quick-release spring latches
- Frame 3: T-bar lay-in for 1" and 9/16" flat tee
- Maximum backpan height is 1 3/8" (35)
- Factory tolerance ± 1/32" (1)

Damper: VCS3 Opposed Blade Damper (Steel Construction)



Detail View:

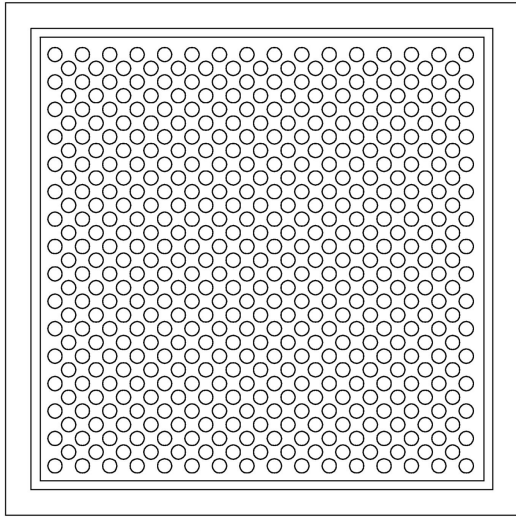


PROJECT: Jewell Elementary School
ENGINEER:
DESCRIPTION: Perfor Diffuser, (Non)/Ducted Return-Flush Face, Stl
 PDDR//I/22/22/3/N-DCT/24/24/VCS3///B12

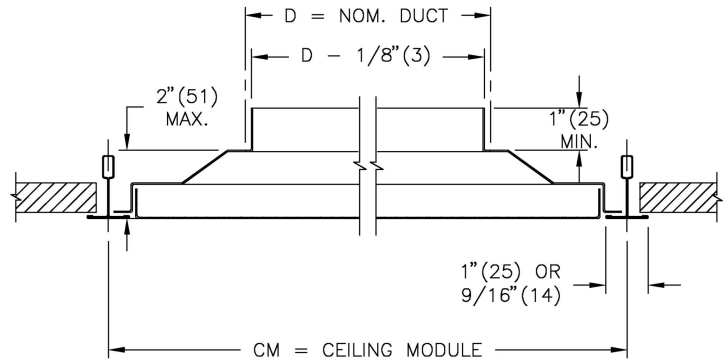
SUBMITTAL NO: 260645-A
CUSTOMER:

SUBMITTAL DATE: 6/4/2015

PDDR Ducted Steel Perforated Flush Face Return Diffuser



Ducted Return



Material:

- Steel Construction

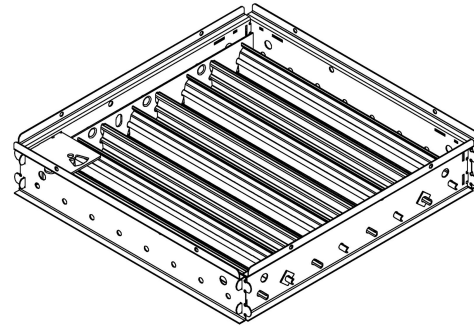
Finish:

- B12: White Powder Coat

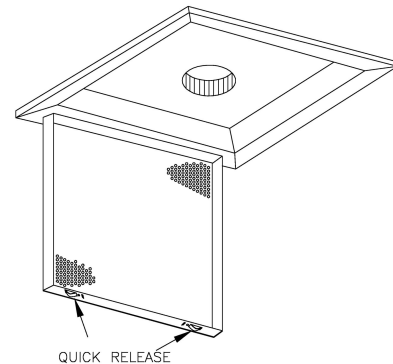
Notes:

- Hinged, removable perforated faceplate with quick-release spring latches
- Frame 3: T-bar lay-in for 1" and 9/16" flat tee
- Maximum backpan height is 2" (51)
- Factory tolerance $\pm 1/32"$ (1)

Damper: VCS3 Opposed Blade Damper (Steel Construction)



Detail View:



PROJECT: Jewell Elementary School
ENGINEER:
DESCRIPTION: Perfor Diffuser, (Non)/Ducted Return-Flush Face, Stl
 PDDR//I/8/3/DCT/24/24/VCS3//B12

SUBMITTAL NO: 258531-A
CUSTOMER:

SUBMITTAL DATE: 6/4/2015