

**SUBMITTALS**  
**JEWELL**  
**ELEMENTARY**  
**SCHOOL**  
**JT PLUMBING**  
**05/18/15**

No Exceptions     Make Corrections     Rejected  
 Submit Specified Item     Revise & Submit

Checking is only to verify general conformance and compliance with the design concept and contract documents. Subcontractor or supplier is responsible for dimensions, errors and omissions in these drawings or lists which he shall confirm and correlate at the jobsite with his work or fabrication and with that of other trades affected by his work. He shall be responsible for any deviation from the contract documents or these drawings or lists unless he has obtained written approval to do so, and shall be responsible for the satisfactory completion of his work.

CS Construction  
1506 NE 1<sup>st</sup> Street , unit #1 Bend, OR 97701 (541) 617-9190  
5/29/15 Matt Freeman  
Date: \_\_\_\_\_ By: \_\_\_\_\_

**DF-1**

# ELKAY<sup>®</sup>

## SPECIFICATIONS

### Vandal-Resistant EZH2O<sup>®</sup> Bottle Filling Station with Bi-Level Filtered Vandal-Resistant Cooler Models LVRCTL8WS & LVRCTLDWS

RATED FOR INDOOR USE ONLY

#### PRODUCT SPECIFICATION

Unit shall include bi-level electric water cooler with bottle filling station. LVRCTL8WS shall deliver 8 GPH of 50°F drinking water at 90°F ambient and 80°F inlet water. LVRCTLDWS shall deliver non-chilled drinking water. Units shall be stainless steel construction and include vandal-resistant pushbutton activation. Cooler shall include vandal-resistant bubbler. Bottle filling unit shall include an automatic 20-second shut-off timer. Shall include Green Ticker™ displaying count of plastic bottles saved from waste. Bottle filler shall provide 1.1 - 1.5 gpm flow rate with laminar flow to minimize splashing. Shall include the WaterSentry<sup>®</sup> Plus 3000-gallon capacity filter, certified to NSF/ANSI 42 and 53, with visual monitor to indicate when replacement is necessary. Unit shall meet ADA guidelines. Unit shall be lead free design which is certified to NSF/ANSI 61 and 372 and meets federal and state low lead requirements. Unit shall be certified to UL399 and CAN/CSA 22.2 No 120.

#### STANDARD FEATURES

- Vandal-resistant pushbutton activation
- Automatic 20-second shut-off on Bottle Filler
- WaterSentry<sup>®</sup> Plus 3000-gallon capacity Filtration System, certified to NSF/ANSI 42 and 53 (Lead, Class 1 Particulate, Chlorine, Taste and Odor)
- Quick Fill Rate: 1.1 gpm (LVRCTL8WS); 1.5 gpm (LVRCTLDWS)
- Laminar Flow provides minimal splash
- Real Drain System eliminates standing water
- Visual User interface display includes:
  - Innovative Green Ticker™ counts bottles saved from waste
  - LED Visual Filter Monitor shows when replacement is necessary
  - Includes Vandal-resistant bubbler
- Cooler panel finish: Stainless Steel

#### COOLING SYSTEM (Models LVRCTL8WS only)

- Compressor: Hermetically sealed, reciprocating type, single phase. Sealed-in lifetime lubrication.
- Condenser: Fan cooled, copper tube with aluminum fins. Fan motor is permanently lubricated.
- Cooling unit: Combination tube-tank type. Self-cleansing. Continuous copper tubing with stainless steel tank. Fully insulated with EPS foam which meets UL requirements for self-extinguishing material.
- Refrigerant Control: Refrigerant R134a is controlled by accurately calibrated capillary tube.
- Temperature Control: Easily accessible enclosed adjustable thermostat is factory preset. Requires no adjustment other than for altitude requirements.



Models LVRCTL8WSK  
or LVRCTLDWSK

#### CONSTRUCTION

- Stainless steel basin with integral drain
- Galvanized structural steel cooler chassis provides structural integrity
- Stainless steel construction bottle filler
- Cooler cabinet is stainless steel construction
- Vandal-resistant bubbler is one-piece, heavy-duty chrome plated

**REPLACEMENT FILTERS:** Available as singles and multi-packs. Order part numbers:

- 51300C (single)
- 51300C\_3PK (three)
- 51300C\_12PK (twelve)
- 51300C\_24PK (twenty-four)
- 51300C\_48PK (forty-eight)

#### WARRANTY

5 Year limited warranty on the unit's refrigeration system. Electrical components and water system are warranted for 12 months from date of installation or 18 months from factory shipment, whichever date falls first.

#### CAPACITIES CHART

CAPACITIES CHART						UL <sup>®</sup> US	ADA	NSF/ANSI 61 & 372 Certified	GreenSpec <sup>®</sup> LISTED
Model	Voltage / Hertz	Chilling Capacity**	F.L. Amps	Rated Watts	Approx. Shipping Wt. (lb)	UL399 and CAN/CSA 22.2 No. 120 Certified	ADA Compliant	ANSI/NSF 61 & 372 Certified	GreenSpec <sup>®</sup> Listed
LVRCTL8WSK	115V / 60Hz	8 GPH	5.0	370	114	•	•	•	•
LVRCTL8WS2K	220V / 50Hz	6.7 GPH	2.5	370	114	++	•	•	•
LVRCTL8WS3K	220V / 60Hz	8 GPH	2.5	370	114	++	•	•	•
LVRCTLDWSK	115V / 60Hz	-	1.0	15	86	•	•	•	•
LVRCTLDWS2K	220V / 50Hz	-	0.5	15	86	++	•	•	•
LVRCTLDWS3K	220V / 60Hz	-	0.5	15	86	++	•	•	•

\*\*Based on 80°F inlet water and 90°F ambient air temp for 50°F chilled drinking water.

++Complies; not third party certified

This specification describes an Elkay product with design, quality and functional benefits to the user. When making a comparison of other producers' offerings, be certain these features are not overlooked

In keeping with our policy of continuing product improvement, Elkay reserves the right to change specification without notice. Please visit [elkay.com](http://elkay.com) for the most current version.

2222 Camden Court  
Oak Brook, IL 60523  
630-572-3192  
[elkay.com](http://elkay.com)

© 2014 Elkay  
SPEC14-86 (11/2014)

**Vandal-Resistant EZH2O® Bottle Filling Station  
with Bi-Level Filtered Vandal-Resistant Cooler  
Models LVRCTL8WS & LVRCTLDDWS**

**ELKAY®  
ROUGH-IN DIMENSIONS**

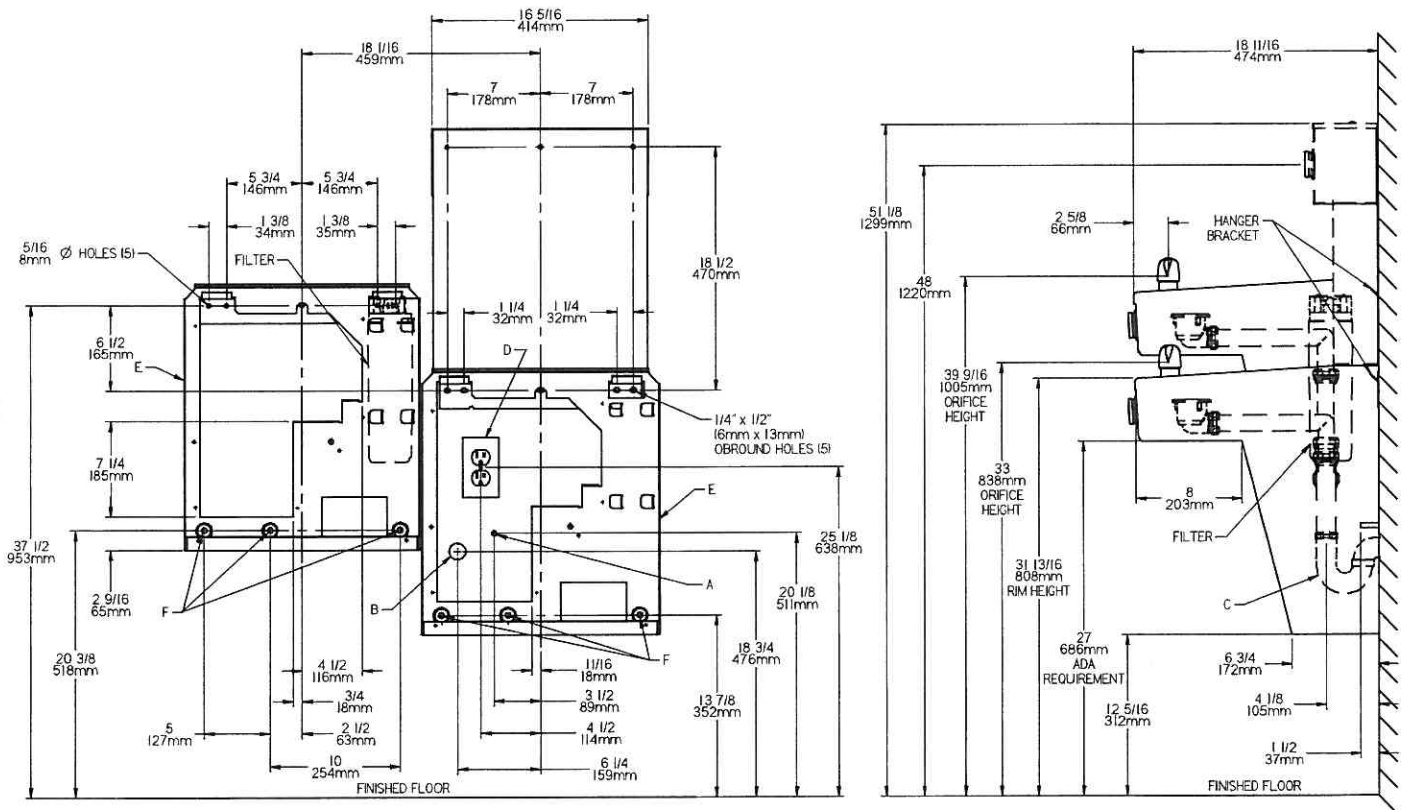
**RATED FOR INDOOR USE ONLY**

**IMPORTANT! INSTALLER PLEASE NOTE:**

These units are designed and built to provide water to the user which has not been altered by materials in the cooler waterway. The grounding of electrical equipment such as telephone, computers, etc. to water lines is a common procedure. This grounding may be in the building but may also occur away from the building. This grounding can cause electrical feedback into a water cooler creating an electrolysis which results in a metallic taste or an increase in the metal content of the water. This condition is avoidable by installing the cooler using the proper materials as shown.

**NOTICE:**

This water cooler must be connected to the water supply using a dielectric coupling. The cooler is furnished with a non-metallic strainer which meets this requirement. The drain trap which is provided by the installer should also be plastic to completely isolate the cooler from the building plumbing system.



**REDUCE HEIGHT BY 3" FOR INSTALLATION OF CHILDREN'S ADA COOLER**

**LEGEND:**

- A = Recommended Water Supply location, Shut-off Valve (not furnished) to accept 3/8" O.D. unplated copper tube. Up to 3" (38mm) maximum out from wall.
  - B = Recommended Waste Outlet location. To accommodate 1-1/2" nominal drain. Drain stub 2" (51mm) out from wall.
  - C = 1-1/2" Trap (not furnished).
  - D = Electrical Supply (3) Wire Recessed Box Duplex Outlet.
  - E = Insure proper ventilation by maintaining 6" (152mm) minimum clearance from cabinet louvers to wall.
  - F = 7/16" (11mm) Bolt Holes for fastening to wall.
- NOTE: Installations Must Use Ground Fault Circuit Interrupter. (GFCI)

Job Name: \_\_\_\_\_

Model: \_\_\_\_\_ Qty. \_\_\_\_\_

Contact: \_\_\_\_\_

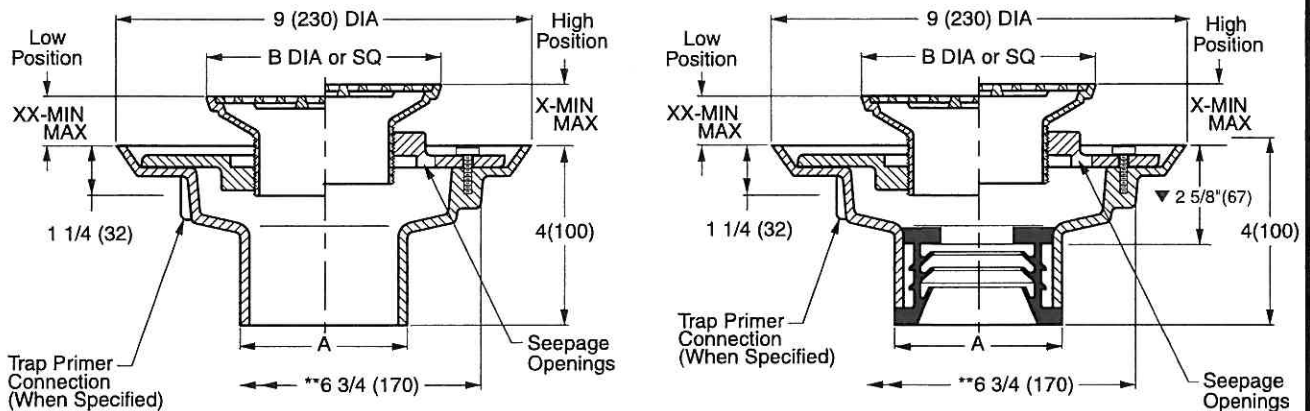
Approval Signature: \_\_\_\_\_

Notes: \_\_\_\_\_

**FD-1**

# FLOOR OR SHOWER DRAINS WITH ADJUSTABLE STRAINER HEADS

**FUNCTION:** General service floor drain for use in showers, toilets, kitchens and other finished areas where foot traffic is expected. The round top strainer head is used for all types of poured finished floors. The square top is particularly adaptable to floors that are finished in material of square or straight line pattern. Reversible flashing collar permits adjustment of the strainer to meet finished floor level.



A (Pipe Size) = 02(50), 03(75), 04(100), 05(125) or 06(150)

**NO-HUB OUTLET**

- Fig. 2005Y.....(A) ROUND TOP
- Fig. 2005Y.....(B) SQUARE TOP

**SPEEDI-SET OUTLET**

- Fig. 2005L.....(A) ROUND TOP
- Fig. 2005L.....(B) SQUARE TOP

Outlet Size	Nickel Bronze Strainer Head
▲ 02(50)	05(125) DIA or SQ
▲ 03(75)	06(150) DIA or SQ
▲ 04(100)	08(205) DIA or SQ

Strainer Size B	*Collar In High Position X		*Collar In Low Position XX		Free Area SQ IN (SQ CM)	
	MIN	MAX	MIN	MAX	ROUND	SQUARE
<input checked="" type="checkbox"/> 05 (125)	1 1/4(32)	2 1/4(57)	3/4(19)	1 5/8(41)	7(45)	6.5(42)
<input type="checkbox"/> 06 (150)	1 1/4(32)	2 1/4(57)	3/4(19)	1 5/8(41)	9(58)	12.5(81)
<input type="checkbox"/> 07 (180)	1 1/4(32)	2 1/4(57)	7/8(22)	1 7/8(48)	14(90)	11(71)
<input type="checkbox"/> 08 (205)	1 1/2(38)	2 1/2(64)	1(25)	1 7/8(48)	17(110)	14(90)
<input type="checkbox"/> *09 (230)	1 1/2(38)	2 3/8(60)	1(25)	1 7/8(48)	18(116)	16(103)
<input type="checkbox"/> *10 (255)	1 1/2(38)	2 3/8(60)	1(25)	1 7/8(48)	23(48)	16(103)

- ▼ This dimension to internal stop of speedi-set gasket.
- \* Add 3/8"(10) to all min/max dimensions for round strainers.
- \* Collar is reversible to obtain extreme high and low strainer positions.
- \*\* Not available for 5"(125) size strainer.
- \*\* MIN 6 3/4"(170) hole required for core drilled application.

**REGULARLY FURNISHED:**  
 Duco Cast Iron Body with Flashing Collar and Adjustable Strainer Head as Indicated by Suffix Letter Selected.

- VARIATIONS:**
- Flapper Type Backwater Valve -V
  - Hinged Grate -H
  - L Speedi-Set Service Weight 2(50), 3(75) & 4"(100) only
  - LXH Speedi-Set Extra Heavy 2(50), 3(75) & 4"(100) only
  - Sediment Bucket -B
  - Trap Primer Connection -P050 1/2" (13) & -P075 3/4" (19)
  - Vandal Proof Screws -U
  - Wide Flanged Strainer (Specify Fig. DX2005)
  - T Threaded Outlet
  - Heelproof Grate -HP -AHP (Round) or -BHP (Square)

- OPTIONAL MATERIALS:**
- Bronze Body -BB
  - Chrome Plated Strainer -CP
  - Galvanized Cast Iron Body -G
  - Nickel Bronze Strainer -NB
  - Polished Bronze Strainer -PB
  - Stainless Steel (Specify Fig. 9700-A)

NOTE: Dimensions shown in parentheses are in millimeters.

▲ Meets ASME Standard A112.6.3-2001 02(50), 03(75) or 04"(100) sizes only.

SEE PM0457 FOR OPTIONAL STRAINER HEADS.

DRAWING NUMBER: S2005  
 SIZE: A  
 SCALE: NONE  
 DATE: 5-17-85  
 APPROVED BY: TD  
 CHECKED BY: TD  
 DRAWN BY: PJ  
 FIGURE NUMBER: 2005

WE CAN ASSUME NO RESPONSIBILITY FOR USE OF SUPERSEDED OR VOID DATA  
 DIMENSIONS ARE SUBJECT TO MANUFACTURERS TOLERANCE AND CHANGE WITHOUT NOTICE

Q	11-18-11	Rev. Dwg., Var.	TBW	CR	WEIGHT POUNDS	VOLUME CUBIC FEET	FIGURE NUMBER
P	11-20-09	Revised Variations	RN	BW			2005
N	12/18/08	Addition to Variations	JJ	BW			
M	10/24/06	NO-HUB to SPEEDI-SET	RN	CL			
REV.	DATE	DESCRIPTION	BY	CKD. BY			



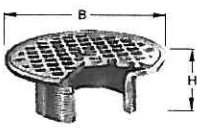
LOCATION

# OPTIONAL STRAINER HEADS

DRAWING NUMBER: PM0457 SH 1 of 2  
 SIZE: A  
 SCALE: NONE  
 DATE: 5-17-85  
 APPROVED BY: TD  
 CHECKED BY: TD  
 DRAWN BY: PJ  
 2010 SERIES OPTIONAL STRAINER HEADS  
 DIMENSIONS ARE SUBJECT TO MANUFACTURERS TOLERANCE AND CHANGE WITHOUT NOTICE

ASSUME NO RESPONSIBILITY OR USE OF SUPERSEDED OR VOID DATA

### ROUND STRAINER



**MATERIALS:**  
 Chrome Plated -CP  
 Polished Bronze -PB  
 Nickel Bronze -NB

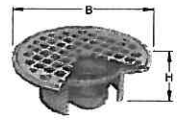
**VARIATIONS:**  
 \*Hinged Grate (Specify Suffix -AH)  
 Sediment Bucket -B  
 Vandal Proof Screws -U

B DIA	05 (125)	06 (150)	07 (180)	08 (205)	09 (230)	10 (255)
H	2 (51)	2 (51)	2 1/4 (57)	2 1/2 (64)	2 1/2 (64)	2 3/4 (70)
X MIN	1 1/4 (32)	1 1/4 (32)	1 1/4 (32)	1 1/2 (38)	1 1/2 (38)	1 1/2 (38)
X MAX	2 1/4 (57)	2 1/4 (57)	2 1/4 (57)	2 1/2 (64)	2 1/2 (64)	2 3/4 (70)

Specify Type, Size & Finish eg: A05NB  
 \*Not available for 05" (125) size

**SUFFIX -A**

### FLAPPER TYPE BACKWATER VALVE



**FUNCTION:** Provides backwater protection at point where protection is needed.

**MATERIALS:**  
 Chrome Plated -CP  
 Polished Bronze -PB  
 Nickel Bronze -NB

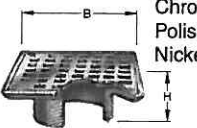
**VARIATIONS:**  
 \*Hinged Grate (Specify Suffix -AH)  
 Vandal Proof Screws -U

B DIA	05 (125)	06 (150)	07 (180)	08 (205)
H	2 (51)	2 (51)	2 1/4 (57)	2 1/2 (64)
X MIN	1 1/4 (32)	1 1/4 (32)	1 1/4 (32)	1 1/2 (38)
X MAX	2 1/4 (57)	2 1/4 (57)	2 1/4 (57)	2 1/2 (64)

Specify Type, Size & Finish eg: AV05NB  
 \*Not available for 05" (125) size

**SUFFIX -AV**

### SQUARE STRAINER



**MATERIALS:**  
 Chrome Plated -CP  
 Polished Bronze -PB  
 Nickel Bronze -NB

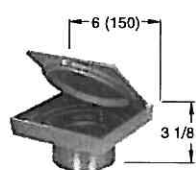
**VARIATIONS:**  
 Flapper Type Backwater Valve (Specify Suffix -BV) 05 (125), 06 (150), 07 (180) or 08" (205) sizes only  
 \*Hinged Grate (Specify Suffix -BH)  
 Sediment Bucket -B  
 Vandal Proof Screws -U

B DIA	05 (125)	06 (150)	07 (180)	08 (205)	09 (230)	10 (255)
H	2 (51)	2 (51)	2 1/4 (57)	2 1/2 (64)	2 1/4 (57)	2 1/4 (57)
X MIN	1 1/4 (32)	1 1/4 (32)	1 1/4 (32)	1 1/2 (38)	1 1/2 (38)	1 1/2 (38)
X MAX	2 1/4 (57)	2 1/4 (57)	2 1/4 (57)	2 1/2 (64)	2 1/4 (57)	2 3/8 (60)

Specify Type, Size & Finish eg: B05NB  
 \*Not available for 05" (125) size

**SUFFIX -B**

### STRAINER HEAD w/SQUARE HINGED COVER



**MATERIALS:**  
 Chrome Plated -CP  
 Polished Bronze -PB  
 Nickel Bronze -NB

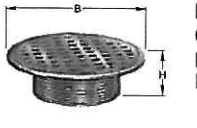
**VARIATIONS:**  
 Gasketed Water Tight Cover -GC  
 Secured Cover -SC  
 Secondary Strainer Grate -SG

Specify Type, Size & Finish eg: BSNB

**SUFFIX -BS**

### REINFORCED ROUND STRAINER

**FUNCTION:** Used in finished floors where light wheeled loads are anticipated.



**MATERIALS:**  
 Chrome Plated -CP  
 Polished Bronze -PB  
 Nickel Bronze -NB

**VARIATIONS:**  
 Flapper Type Backwater Valve (Specify Suffix -CV)  
 Sediment Bucket -B  
 Vandal Proof Screws -U

B DIA	05 (125)	06 (150)	08 (205)	10 (255)
H	2 (51)	2 (51)	2 1/2 (64)	2 3/4 (70)
MIN	1 1/4 (32)	1 1/4 (32)	1 1/2 (38)	1 7/8 (48)
MAX	2 1/4 (57)	2 1/4 (57)	2 1/2 (64)	2 3/4 (70)

Specify Type, Size & Finish eg: C06NB

**SUFFIX -C**

### REINFORCED TRACTOR STRAINER

**FUNCTION:** Used in finished floors where medium weight wheeled loads are anticipated and loose set non-tilt tractor grate is desired.



**MATERIALS:**  
 Cast Iron -CI  
 Chrome Plated -CP  
 Polished Bronze -PB  
 Nickel Bronze -NB

**VARIATIONS:**  
 Flapper Type Backwater Valve (Specify Suffix -DV or -EV)  
 Sediment Bucket -B  
 Vandal Proof Screws -U

SUFFIX	B DIA	H	X	
-D	07 (180)	3 1/4 (83)	2 5/8 (67)	3 1/2 (89)
-E	09 (230)	3 1/2 (89)	2 3/4 (70)	3 1/2 (89)

Specify Type, Size & Finish eg: D09PB  
 E09PB

**SUFFIX -D-E**

### TILE FLANGE

**FUNCTION:** Provides integral flange set 5/32" (4) below rim to receive floor covering. Flange may have option of tapped holes for securing pan and gasket.



**MATERIALS:**  
 Chrome Plated -CP  
 Polished Bronze -PB  
 Nickel Bronze -NB

**VARIATIONS:**  
 Flapper Type Backwater Valve (Specify Suffix -FV)  
 Holes in Flange -SH  
 Sediment Bucket -B  
 Vandal Proof Screws -U

X	
MIN	MAX
1 1/4 (32)	2 1/8 (54)

Specify Type, Size & Finish eg: F06NB

**SUFFIX -F**

### ADJUSTABLE STRAINER HEAD

**FUNCTION:** Used in a non-traffic area when a funnel type strainer head is required and space does not allow use of the 3500 series funnel. The extended rim allows use as an anti-flood and anti-splash drip pan.



**VARIATIONS:**  
 Flapper Type Backwater Valve (Specify Suffix -F37V or F38V)

**MATERIALS:**  
 Cast Iron -CI  
 Chrome Plated -CP  
 Galvanized Cast Iron -G  
 Polished Bronze -PB  
 Nickel Bronze -NB

SUFFIX	-F37	-F38
B DIA	07 (180)	09 (230)
H	3 1/4 (83)	3 1/2 (89)
X MIN	2 5/8 (67)	2 3/4 (70)
X MAX	3 1/2 (89)	3 1/2 (89)

Specify Type, Size & Finish eg: F37NB F38CP

**SUFFIX -F37-F38**

REV.	DATE	DESCRIPTION	BY	CKD. BY	<b>FIGURE NUMBER</b> 2010 SERIES OPTIONAL STRAINER HEADS 1 of 2

NOTE: Dimensions shown in parenthesis are in millimeters.

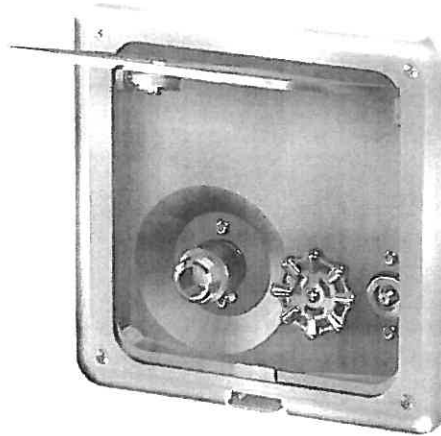
**HB-1**





## Hose & Supply Boxes 8101 Series

Lumaloy Recessed Hose Box (Single Temperature)



8104

Fixture May Show Some Available Options

Please visit [www.acorneng.com](http://www.acorneng.com) for most current specifications.

### Lumaloy Recessed Hose Box (Single Temperature)

**Lumaloy, Recessed Hose Boxes** are CUPC® certified by IAPMO for U.S. and Canada. Boxes are designed for attractive service in both interior and exterior walls not subject to freezing. Recessed design prevents accidents which are common to surface-mounted or protruding hose valves.

**Hose Box** is a one piece cast construction and is furnished with two stainless steel angles for anchoring to the wall construction.

**Door and Frame** are of cast Lumaloy. Door includes a recessed cam latch, which is operable with a loose key by others or with the removable wheel handle on the valve.

**Valve and Stop Body** is cast bronze with exposed parts chrome-plated. Valve and Stop feature tamper-resistant lockshield bonnet and replaceable cartridge containing all wearing parts including the seat. The body casting is gasketed where it joins the box and is securely anchored with stainless steel tamper-resistant screws. Supply inlet is 3/4" NPT female. Outlet is 3/4" male hose thread.

**-SSLF** stainless steel lead free option provides a rough finish, cast stainless steel valve body, stainless steel stop assembly, stainless steel lockshield cartridge and meets the lead free requirements where the wetted surface of this product contacted by water contains less than .25% lead. On models that include vacuum breakers, a lead-free brass vacuum breaker is provided.

**Screwdriver Stop** in supply permits servicing the control valve without shutting down the water supply. Vacuum breaker models prevent contamination of the potable water supply. Vacuum breakers are atmospheric type and conform to the requirements of ASSE Standard 1011. Check local code authority for vacuum breaker requirements.

### GUIDE SPECIFICATION

Box shall be one piece cast construction, fabricated from Lumaloy with plain finish. Frame and door shall have a prime coat finish. Door shall have a recessed cam latch operable with a loose key by others or with the removable wheel handle on the valve. Valve shall be a replaceable cartridge type with vandal-resistant lockshield bonnet, removable loose key wheel handle and screwdriver operated stop.

# Hose & Supply Boxes 8101 Lumalay Recessed Hose Box (Single Temperature)



**BASE MODEL NUMBER (Must Specify)**

**PRODUCT OPTIONS (Must Specify)**

**HOSE BOX LESS DOOR AND FRAME**

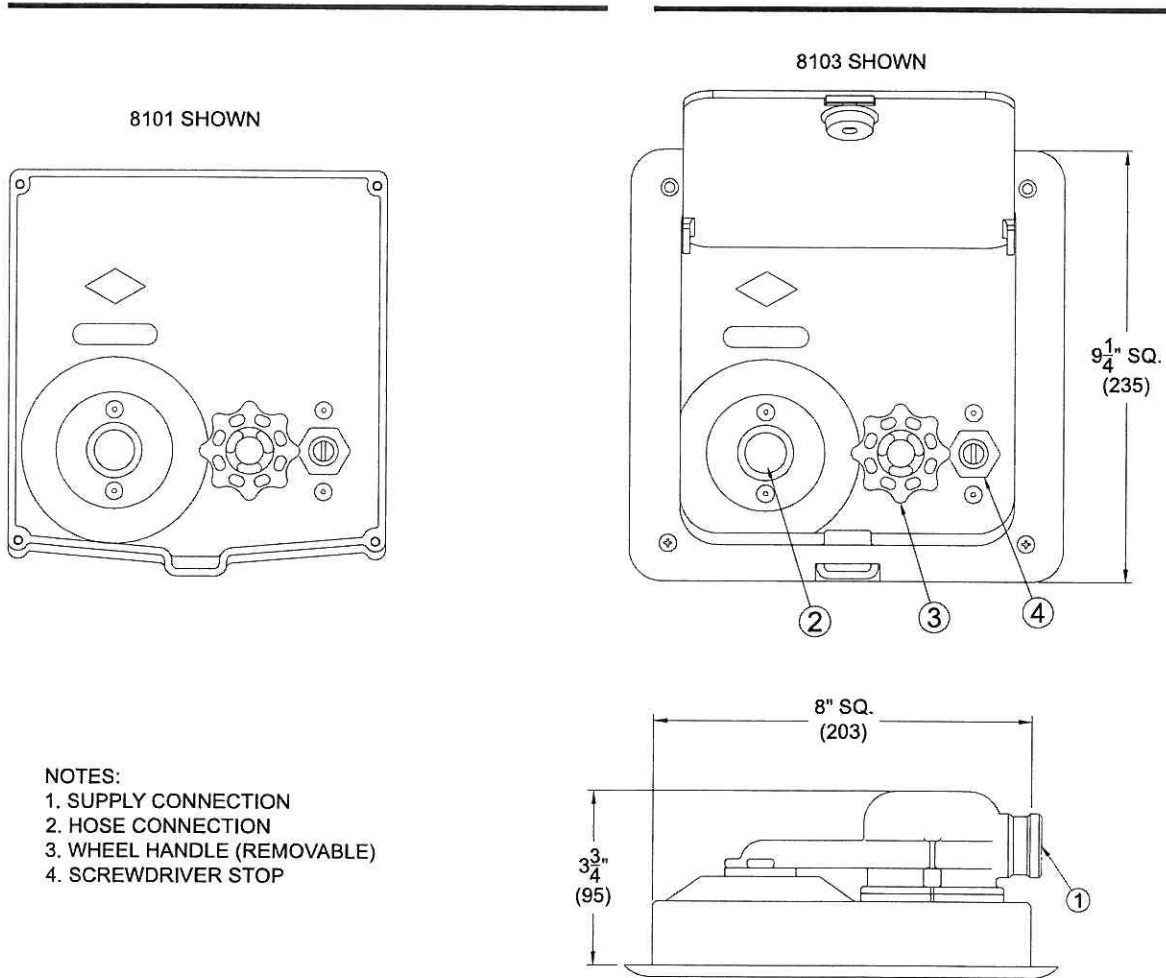
-SSLF    Stainless Steel Lead Free

- 8101 Single Temperature Less Vacuum Breaker
- 8102 Single Temperature With Vacuum Breaker

**HOSE BOX WITH DOOR AND FRAME**

- 8103 Single Temperature Less Vacuum Breaker
- 8104 Single Temperature With Vacuum Breaker

Please visit [www.acorneng.com](http://www.acorneng.com)  
for most current specifications.



- NOTES:**
1. SUPPLY CONNECTION
  2. HOSE CONNECTION
  3. WHEEL HANDLE (REMOVABLE)
  4. SCREWDRIVER STOP

<p><b>Important:</b> Installation instructions and current rough-in are furnished with each fixture. Do not rough in without certified dimensions. Dimensions are subject to manufacturer's tolerance of plus or minus 1/4" and change without notice. Acorn assumes no responsibility for use of void or superseded data. © Copyright 2006 Acorn Engineering Company</p>	
<p style="text-align: center;"><b>Selection Summary</b></p> <p>Model No. &amp; Option _____</p> <p>Quantity _____</p>	<p style="text-align: center;"><b>Approved for Manufacturing</b></p> <p>Company _____ Title _____</p> <p>Signature _____ Date _____</p>

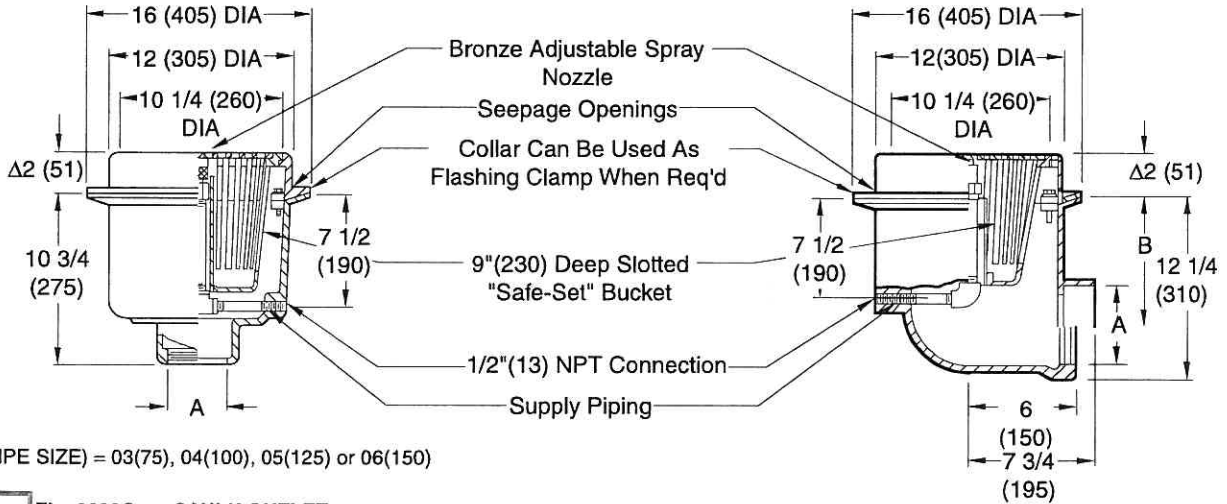
**CW-1**

# SPECIAL PURPOSE DRAINS

## COMBINATION GARBAGE CAN WASHER AND DRAIN

**FUNCTION:** Used in areas where it is desired to wash the interior of garbage and other cans, and prevent the solids from entering the waste line. The exclusive Smith design combines an engineered floor drain with a "single orifice" can washing nozzle. The spray from the nozzle is adjustable from a solid stream to a driving fine mist, providing a means for thoroughly scouring the interior of the can. The slotted sediment bucket catches all debris, and provides ample drainage. "Safe-Set" design insures bucket replacement after cleaning since top grate cannot be inserted unless bucket is in place.

Free Area  
 28.5 SQ IN  
 (184) SQ CM



A (PIPE SIZE) = 03(75), 04(100), 05(125) or 06(150)

- Fig. 2690C ... CAULK OUTLET
- Fig. 2690T ... THREADED OUTLET

- Fig. 2693C ... CAULK OUTLET
- Fig. 2693T ... THREADED OUTLET

add 3/8"(10) when bronze top is specified.

**NOTE:** For water supply central boxes, see Fig. 3380 & 3385.

**NOTE:** Dimensions shown in parentheses are in millimeters.

A SIZE	02 (50)	03 (75)	04 (100)	05 (125)	06 (150)
B	10 1/4 (260)	9 3/4 (250)	9 1/4 (235)	8 3/4 (220)	8 1/4 (210)

**REGULARLY FURNISHED:**  
 All Galvanized Cast Iron Body with Flashing Collar, Loose Set Grate, Sediment Bucket, Pipe Assembly with Bronze Adjustable Spray Nozzle.

- VARIATIONS:**
- NO-HUB Adaptor (Specify Fig. 2646Y)
  - Stainless Steel Mesh
  - Lined Bucket -LB
  - Square Top -S

- OPTIONAL MATERIALS:**
- Duco Cast Iron -CI
  - Nickel Bronze Top -NB\*
  - Polished Bronze Top -PB\*

\*When Specified, "Safe-Set" not available.

DRAWING NUMBER S2690  
 SIZE A  
 SCALE: NONE  
 DATE: 5-17-85  
 APPROV. BY: TD  
 CHECKED BY: TD  
 DRAWN BY: CM  
 FIGURE NUMBER 2690, 2693  
 DIMENSIONS ARE SUBJECT TO MANUFACTURERS TOLERANCE AND CHANGE WITHOUT NOTICE  
 WE CAN ASSUME NO RESPONSIBILITY FOR USE OF SUPERSEDED OR VOID DATA

REV.	DATE	DESCRIPTION	BY	CKD. BY	WEIGHT POUNDS	VOLUME CUBIC FEET	FIGURE NUMBER
D	5-25-99	Changed Millimeters	CMD	BS			2690, 2693
C	4-14-97	Added Millimeters	EMB	BS			
B	7-5-94	Revised	CMB	BS			
A	11-18-93	Submittal Update	EMB	BS			

**SMITH® JAY R. SMITH MFG. CO.®**  
 DIVISION OF SMITH INDUSTRIES, INC.  
 POST OFFICE BOX 3237  
 MONTGOMERY, ALABAMA 36109-0237 (USA)  
 TEL: 334-277-8520 FAX: 334-272-7396 www.jrsmith.com

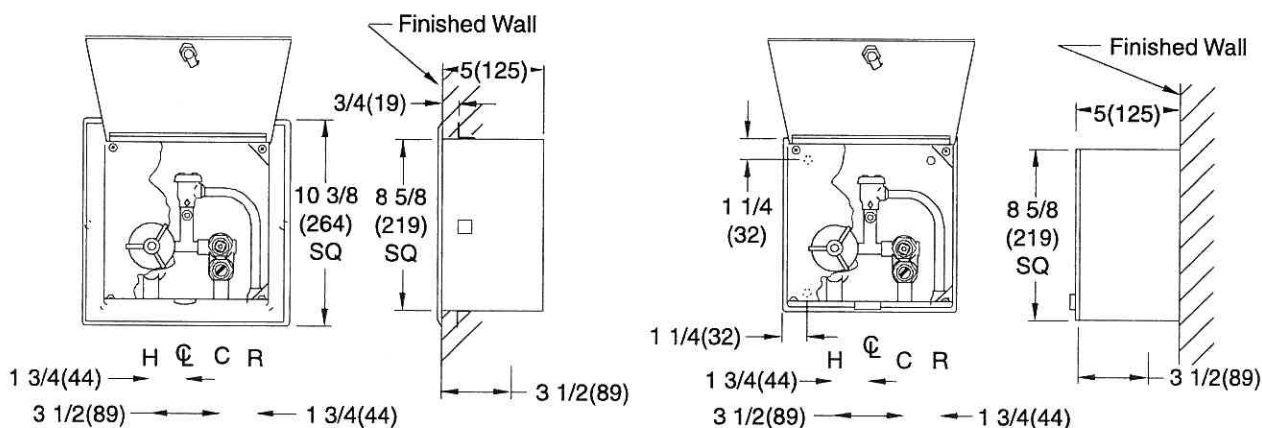


LOCATION

Blank space for location information.

# WATER SUPPLY CONTROL BOXES FOR FLUSHING RIM & CAN WASHING DRAINS

**FUNCTION:** With potable water supply protected by the integral atmospheric vacuum breaker used to supply hot, cold or tempered water to can washing drains, flushing rim drains or other devices requiring a water supply. All operating parts are protected from vandalism by means of the hinged door which is provided with a cylinder lock. Both the hot and cold water supplies are provided with integral screw driver stops allowing maintenance of the control valves without shutting down the main water supply. Fig. 3380 is furnished with plaster grounds and is usually flush mounted in plaster walls. Fig. 3385 is surface mounted and is usually used in brick or masonry construction.



**NOTE:** Dimensions shown in parentheses are in millimeters.

**REGULARLY FURNISHED:**

**Box** - Type 304 stainless steel with cylinder type key lock and piano hinged cover. All exposed surfaces are polished to a No. 4 satin finish.  
**Internal Parts** - Control valves, screwdriver stops and atmospheric type vacuum breaker are all bronze. Component parts are assembled with type "L" copper tubing and all connections are silver brazed. H & C inlet and remote outlet fittings are 1/2"(6) NPT female. All are provided with integral ears secured to the control box with stainless steel vandal-proof screws, preventing damage during installation.

**3380, 3385**

FIGURE NUMBER

REV.	DATE	DESCRIPTION	BY	CKD. BY
B A	8-26-96 1-3-94	Added Millimeters Submittal Update	EMB EMB	BS BS

WEIGHT POUNDS	VOLUME CUBIC FEET	FIGURE NUMBER
		<b>3380, 3385</b>

DRAWING NUMBER  
S3380

SIZE  
A

SCALE:  
NONE

DATE:  
9-19-85

APPROVED BY:  
SJM

CHECKED BY:  
JD

DRAWN BY:  
PJ

WE CAN ASSUME NO RESPONSIBILITY FOR USE OF SUPERSEDED OR VOID DATA

DIMENSIONS ARE SUBJECT TO MANUFACTURERS TOLERANCE AND CHANGE WITHOUT NOTICE

**FAUCET DESCRIPTION**

- Brass construction, rough chrome finish
- Integral vacuum-breaker
- 3/4" Garden hose threaded spout
- 1/2" IPS eccentric connections
- "Service stops"
- "Wall mounting bracket"
- Vandal resistant torx head screws

**OPERATION**

- Lever style handles with hot and cold color indicators


**FLOW**

- Unrestricted

**CARTRIDGE**

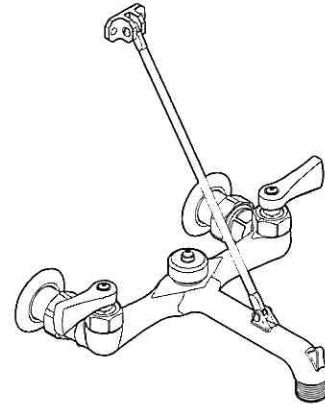
- Brass shell ceramic disc cartridge
- 1/4 turn operation

**STANDARDS**

- Third party certified by IAPMO and CSA to meet ASME A112.18.1M and all applicable specifications referenced therein
- ADA  for lever handles

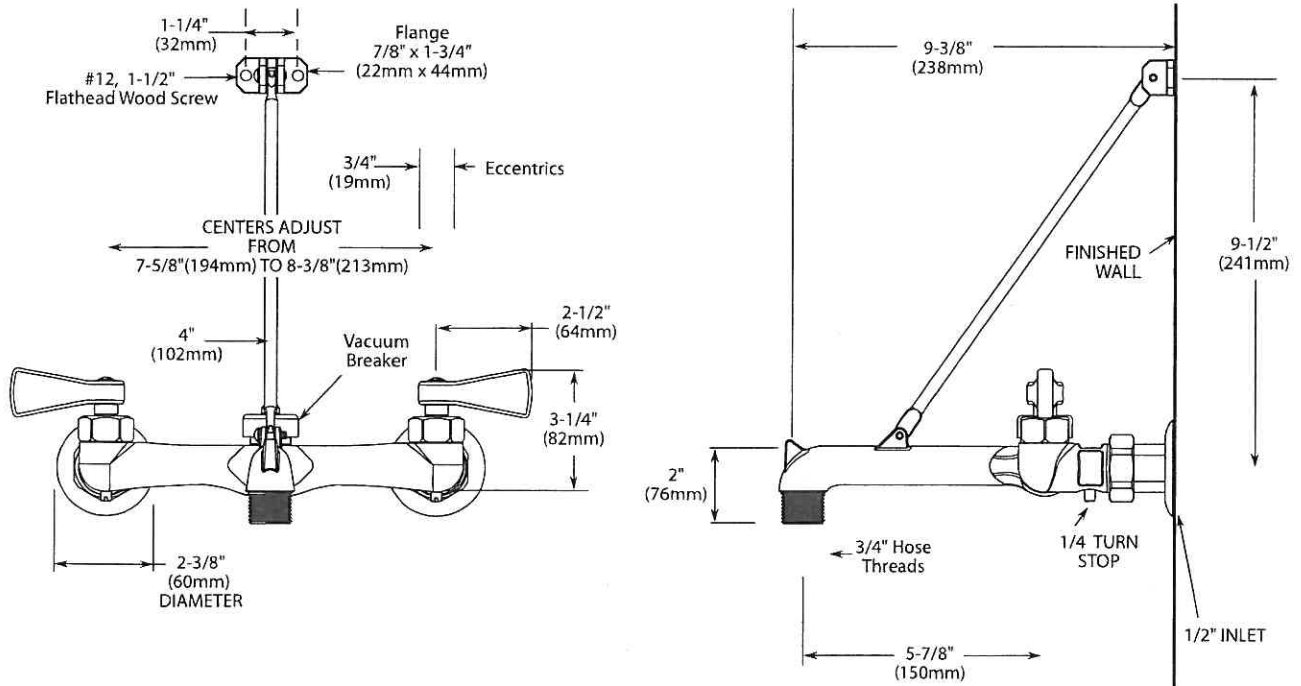
**WARRANTY**

- Warranted for 5 years against material or manufacturing defects



**Two-Handle Service Sink Faucet**

**Model: 8230** (Chrome)



**CRITICAL DIMENSIONS**

(DO NOT SCALE)



► **Service Faucet**



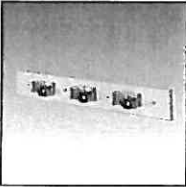
Model No.	UPC
63.600A	6 71031 00277 8
Heavy duty, chrome plated brass dual handle sink faucet with top reinforcing bar and pail hook on spout.	

► **Hose and Hose Holder**



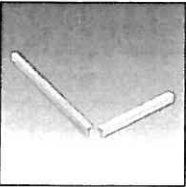
Model No.	UPC
65.700	6 71031 00196 2
Heavy duty 5/8" dia. reinforced 31" rubber hose with brass couplings on one end. Spring loaded, molded rubber hose holder mounts on stainless steel wall plate.	

► **Mop Hanger**



Model No.	UPC
65.600	6 71031 00195 5
Three spring-loaded rubber holders mounted to a 3" x 24" stainless steel wall plate. Click here for more information.	

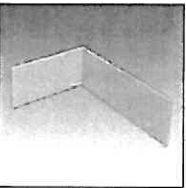
► **Bumper Guards**



Available in high impact resistant molded vinyl (3 versions) or stainless steel (2 versions).

Model No.	UPC
<b>High Impact-resistant vinyl</b>	
63.401 20-3/4" Long	6 71031 00290 7
<b>Stainless steel</b>	
63.403 20-3/4" Long	6 71031 00409 3

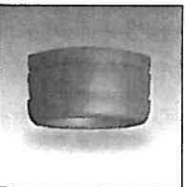
► **DURAGUARD™ Wall Guards**



Protects wall surfaces from splashing and damage from impacts, 12" height, 20 gauge #304 stainless steel.

Model No.	UPC
67.2424 Two panels & bracket for 24" x 24" corner	6 71031 00293 8
67.24C One panel & corner bracket	6 71031 00295 2

► **Optional Seals**



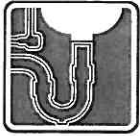
For installations with the following pipe connections:

Model No.	UPC
65.308 For 2" PVC, ABS and iron	6 71031 00303 4
65.309 For 3" PVC, ABS and iron,(Included w/mop basin)	6 71031 00304 1
65.311 For 3" soil pipe (No-Hub)	6 71031 00305 8



# **TRAP COVER**





# LAV GUARD<sup>2</sup>

FAST FIT UNDERSINK PIPING COVERS

All New  
E-Z Series

ADA-compliant undersink protection



## Submittal Sheet

### General Description:

LAV GUARD<sup>2</sup> E-Z Series waste and supply piping covers satisfy ADA compliance requirements. Built-in E-Z Grip internal fasteners and internal, E-Z Tear-To-Fit trimming feature allow for fast installation without tools. Series #100 E-Z kits are designed to fit on all tubular and cast brass P-trap assemblies. Series #400 kits are the "original" LAV GUARD design and fit schedule 40 ABS and PVC P-trap assemblies — regardless of their geometry or rotational offset. Valve cover completely encloses angle valve and supply tube for both handled and keyed type water stops.

Material	Molded vinyl
Nominal Wall	1/8" constant
Durometer	70 -80 - Shore A
UV Protection	Will not fade or discolor
Durability	Virtually indestructible
Trimming (E-Z Series)	Internal, E-Z Tear-To-Fit trim feature
Fasteners (E-Z Series)	Internal E-Z Grip fasteners (reusable)
Color	China white
Paintability	Apply Latex paint
Burning Characteristics ASTM D-635	Self extinguished 0 sec (ATB) 0 mm (AEB)
Bacteria/Fungus Resistance	ASTM G21 and G22/ Result: 0 growth
Maintenance	Use common detergents

Manufactured under one or more of the following U.S. or Canadian patents. Other patents pending.  
5,303,730 5,360,031 5,524,669 5,564,463 5,678,598 5,699,828 5,915,412  
5,915,413 5,901,739 5,960,820 2,075,324 2,119,427 2,136,027 2,158,083

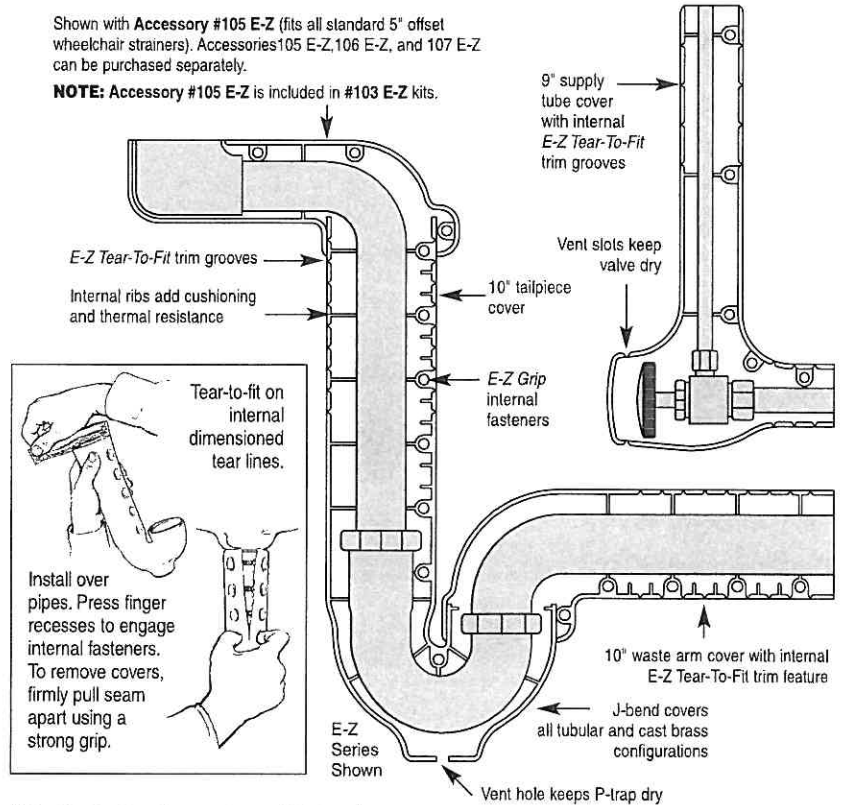


IPS Corporation, 202 Industrial Park Lane, Collierville, TN 38017  
(901) 853-5001 (800) 340-5969 FAX: (901) 853-5008  
e-mail: info@truebro.com Internet: http://www.truebro.com



Shown with **Accessory #105 E-Z** (fits all standard 5" offset wheelchair strainers). Accessories 105 E-Z, 106 E-Z, and 107 E-Z can be purchased separately.

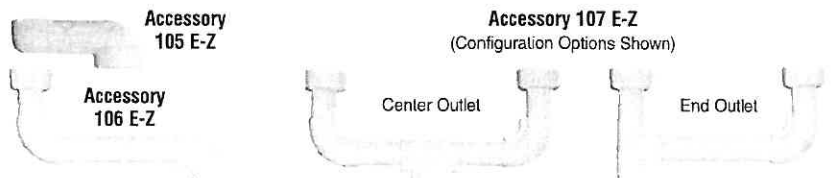
**NOTE:** Accessory #105 E-Z is included in #103 E-Z kits.



**#100 E-Z Series** (shown above right) for tubular and cast brass P-trap assemblies.  
**#400W\* Series** (original design) for schedule 40 P-trap assemblies.

<input type="checkbox"/> <b>Model #99 E-Z</b> One angle valve and supply cover	<input checked="" type="checkbox"/> <b>Model #102 E-Z</b> One P-trap cover, two angle valves and covers	<input type="checkbox"/> <b>Accessory #105-K</b> Kohler 6" offset
<input type="checkbox"/> <b>Model #100 E-Z</b> One P-trap cover	<input type="checkbox"/> <b>Model #402W*</b> One P-trap cover, two angle valves and covers	<input type="checkbox"/> <b>Accessory #106 E-Z</b> One basket strainer cover and offset waste cover (adjustable to 18")
<input type="checkbox"/> <b>Model #400W*</b> One P-trap cover	<input type="checkbox"/> <b>Model #103 E-Z</b> One P-trap cover, two angle valves and supply covers, one 5" offset tailpiece wheelchair strainer cover	<input type="checkbox"/> <b>Accessory #107 E-Z</b> Two basket strainer covers and center or end outlet waste cover (adjustable)
<input type="checkbox"/> <b>Model #101 E-Z</b> One P-trap cover, one angle valve cover	<input type="checkbox"/> <b>Accessory #105 E-Z</b> One 5" offset tailpiece wheelchair strainer assembly	<input type="checkbox"/> <b>Accessory #Ex99 E-Z</b> One 16" extension for water supply
<input type="checkbox"/> <b>Model #401W*</b> One P-trap cover, one angle valve cover	<input type="checkbox"/> <b>Accessory #Ex100 E-Z</b> One 16" extension for drain waste arm or tailpiece	

\*All #400W series items are the "original" LAV GUARD<sup>2</sup> design and construction. Specifications may change without notice.



Job/Location \_\_\_\_\_

Designer \_\_\_\_\_

TRUEBRO reserves the right to make product and material changes at any time without notice.

**SH-1**

### Submittal Sheet Model 38H1, ~~8F~~—ADA Compliant

Date: \_\_\_\_\_ Job Name: \_\_\_\_\_  
 Customer: \_\_\_\_\_ Bid #: \_\_\_\_\_  
 Modifications: \_\_\_\_\_ Quantity: \_\_\_\_\_

<b>Color</b>	White
<b>Ext. Dim.</b>	38" W x 42" D x 80 3/4" H
<b>Warranty</b>	10 Year Limited Warranty
<b>Weight</b>	150 Lbs. ± 10 Lbs
<b>Material</b>	Gelcoat

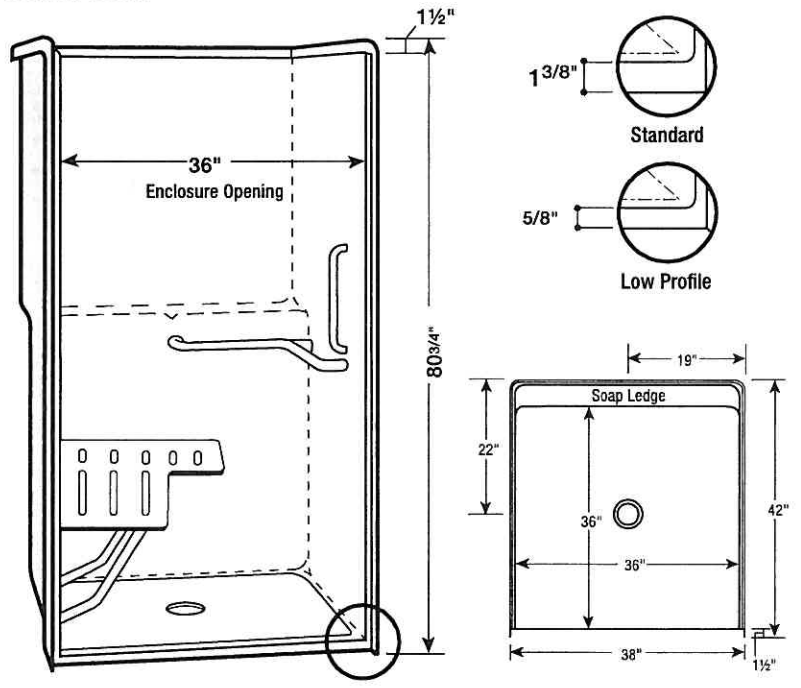
#### STANDARD FEATURES

1. Meets Federal ADA requirements.
2. One-piece construction allows for easy installation
3. Sandwich-Wall Construction
4. Sanitary Ware Gel Coat
5. Full-width soap and shampoo ledge across the back wall
6. Anti-slip floor provides added safety (meets ASTM -462)
7. Clear floor space is 36" x 36"

#### OPTIONAL FEATURES

- Low Profile bottom
- Pre-installed through-bolted curtain rod
- Removable threshold
- Pre-installed through-bolted flangeless grab bar(s)
- Pre-installed four-legged fold-down seat
- Barrier-free ramps
- Barrier-free splash guard

**Model 38H1**



**Dimensional Tolerance ± 1/4". Dimensions needed for site preparation should be measured from the unit.**

**Model 38H1:** Is ADA and ANSI 117 compliant and features a fold-down seat with phenolic plate and stainless steel support tubing, as well as a 1 1/4" diameter "L" shaped stainless steel grab bar and 18" vertical bar as shown above. Please specify Left- or Right- hand plumbing.\*

**Model 38BF:** Is ADA ready, but it does not include a seat or bar. The seat and bar can be added at a later time for ADA compliance.\*\*

**Low Profile Option:** This option brings the threshold height on the 38" transfer shower to 1/2" after the installation of flooring. However, a 14"x14" area must be blocked out around the drain to allow the drain to sit below the subfloor.

\* Because the 38H1 is a transfer shower, the ADA guidelines allow a half-inch threshold.

\*\* Revised ADA guidelines allow the installation of a barrier-free shower (no seat and no bar) provided the seat and grab bar can be added later. The two-legged or the four-legged fold-down seat may be installed after the initial construction.

_____	_____	_____	_____
Plumbing Contractor Approval	Date	General Contractor Approval	Date
_____	_____	_____	_____
Engineer Approval	Date	Architect Approval	Date

## DESCRIPTION

- Chrome plated metal construction
- Pressure balancing cycle valve design with 1/4 turn stops
- 3 function transfer valve
- 1/2" CC connections
- Shower arm has 1/2" IPS male thread
- Contains: showerhead, hand-held shower with non-positive pause, 69" metal hose, 30" slide bar, drop ell, vacuum breaker and mounting hardware
- **Slide bar is NOT DESIGNED TO BE A GRAB BAR**
- Supplied with vandal resistant screws
- Quick cleaning rubber nozzles

## OPERATION

- Temperature and transfer valve both have ADA compliant lever style handles
- Handle operates counterclockwise through a 270° arc with off at 6 o'clock, and maximum hot at the 9 o'clock position.
- Shut off in clockwise direction
- Adjustable temperature limit stop
- Pressure balancing mechanism maintains selected discharge temperature to ± 2°
- Transfer valve operates 3 distinct functions
- Single function spray pattern
- Easy to operate pause button (reduces the flow of water to a trickle)


## FLOW

- **8342** (2.5gpm/9.5 lpm)
- **8342EP15** (1.5gpm/5.7 lpm); **WaterSense® Certified**

## CARTRIDGE

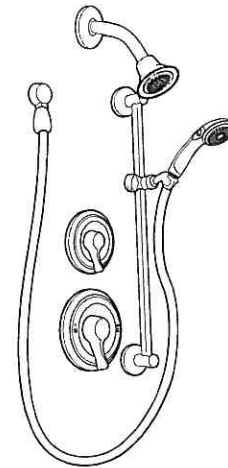
- 1222HD brass cartridge design in temperature control valve
- Accommodates back-to-back installations
- Ceramic disc cartridge in transfer valve
- Brass construction with stainless steel materials

## STANDARDS

- Third party certified to WaterSense® (only applies to 1.5 gpm), ASME A112.18.1/CSA B125.1 and all applicable requirements referenced therein including ASSE 1016
- **ADA**  for lever handle

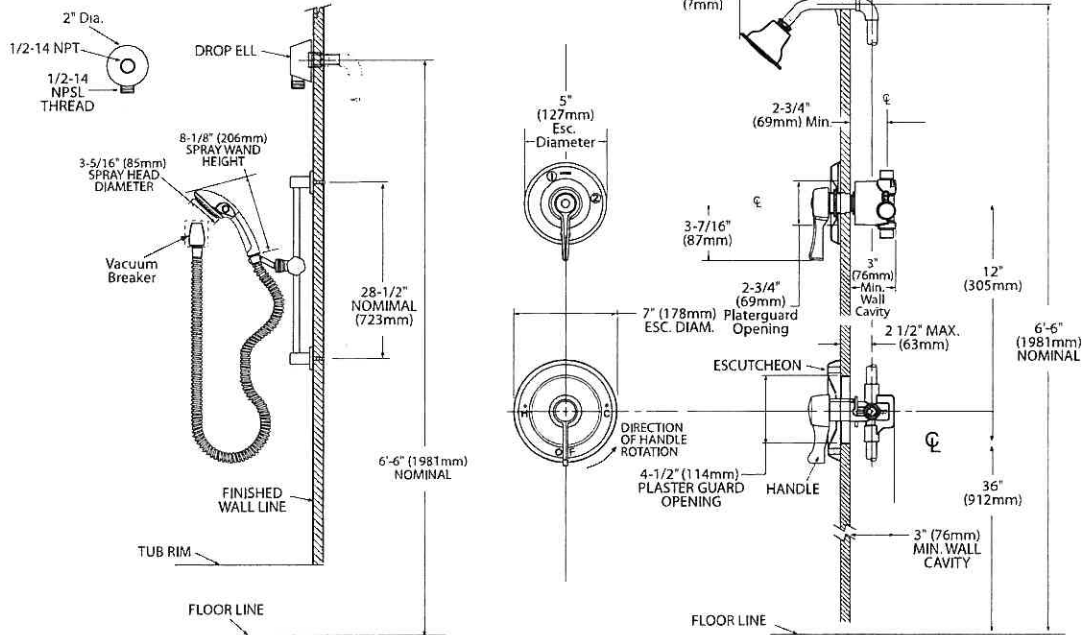
## WARRANTY

- Warranted for 5 years against material or manufacturing defects



**Three-Function  
Commercial Shower System**

Model: 8342, ~~8342EP15~~



**NOTE:** This valve is not intended to be used as a shut-off valve. To prevent the potential of cross flow, check valves must be integral to the supply valve or installed in both hot and cold water supply lines.

## CRITICAL DIMENSIONS

(DO NOT SCALE)

**Oatey**® 4700 W. 160th St.  
Cleveland, OH 44135  
PH:800-321-9532  
FX:800-321-9535  
www.oatey.com

**TECHNICAL SPECIFICATION**

**140 SERIES / 101 PNC SERIES  
BRASS AND PLASTIC  
NO-CALK SHOWER DRAIN**



**TECHNICAL SPECIFICATION:** Oatey Brass and Plastic No-Calk Shower Drains are designed for use with preformed shower stall bases. The drain body is sealed to the shower base with a fiber and rubber washer. 2" Schedule 40 DWV pipe is secured with a mechanically compressed gasket that does not require caulking. Drain top accommodates 4-1/4" Universal Snap-Tite Strainers available in a variety of designer finishes.



**PHYSICAL/CHEMICAL PROPERTIES**

Drain Body Material      Cast Brass Metal  
   ABS Plastic = Black  
   PVC Plastic = White

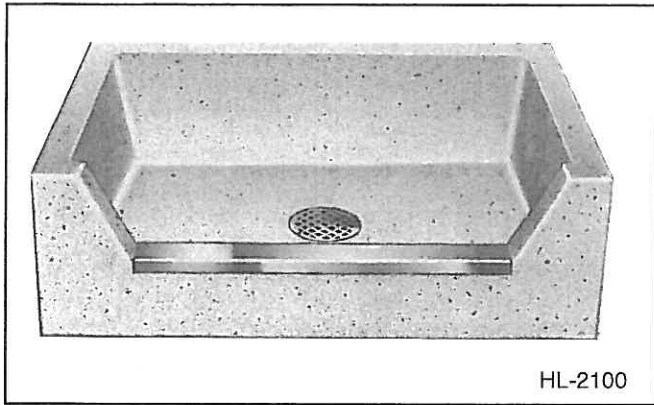
- Made of Cast Brass or Plastic
- Ideal for Slab Construction
- Available with 4.25" Stainless Steel or UltraShine PVD Polished Brass Snap-Tite Strainer
- Compression gasket tightens around 2" Schedule 40 DWV pipe with caulking nut and wrench
- Can be used with 1-1/2" Schedule 40 DWV pipe and 1-1/2" or 2" Copper DWV pipe when caulking gasket is replaced

**COMMON APPLICATIONS**

Oatey No-Calk Shower Drains are designed for use with preformed shower stall bases. The drain body is sealed to the shower base with a fiber and rubber washer. 2" Schedule 40 DWV pipe is secured with a mechanically compressed gasket that does not require caulking. Drain top accommodates 4-1/4" Universal Snap-Tite Strainers available in a variety of designer finishes.

	<b>PRODUCT NUMBER</b>	<b>DESCRIPTION</b>	<b>PACK</b>	<b>CARTON WEIGHT</b>
	42150	Brass No-Calk Shower Drain w/Stainless Steel Strainer	12	20 lbs.
	42084	ABS No-Calk Shower Drain w/Stainless Steel Strainer	12	7 lbs.
	42099	PVC No-Calk Shower Drain w/Stainless Steel Strainer	12	8 lbs.
	42077	ABS No-Calk Shower Drain w/White Plastic Strainer	12	6 lbs.
	42075	PVC No-Calk Shower Drain w/White Plastic Strainer	12	8 lbs.
	42080	PVC No-Calk Shower Drain w/ UltraShine® PVD Polished Brass Strainer	12	8 lbs.
<b>NO-CALK SHOWER DRAIN ACCESSORIES</b>				
	42163	Caulking Gasket for 1-1/2" Schedule 40 DWV	12	1 lb.
	42156	Caulking Gasket for 2" Schedule 40 DWV	12	1 lb.
	42157	Rubber Caulking gasket to fit 2" No-hub cast iron pipe	12	1 lb.
	42159	Caulking Gasket for 1-1/2" Copper DWV	12	1 lb.
	42158	Caulking Gasket for 2" Copper DWV	12	1 lb.
	42239	NO-CALK shower drain wrench- carded	4	5lbs.

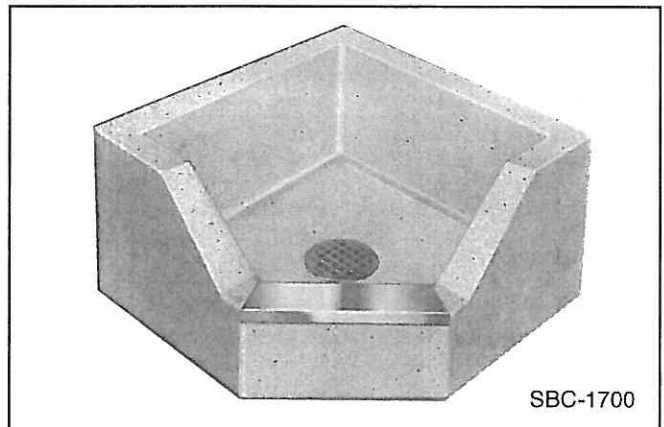
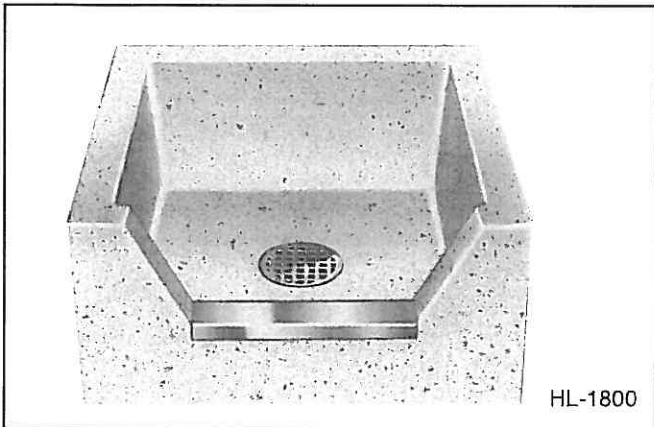
**MS-1**



**STERN**  
**WILLIAMS**  
**HiLow<sup>®</sup> CORLOW<sup>®</sup>**  
 MOP SERVICE BASINS  
**ARCHITECTURAL SPECIFICATIONS**

**HiLow<sup>®</sup>**

**CORLOW<sup>®</sup>**



**6" FRONT DROP  
 WITH STAINLESS STEEL CAP**

MODEL	SIZE
HL-1800	24"x24"x12"
HL-1900	32"x32"x12"
HL-2000	36"x36"x12"
HL-2100	36"x24"x12"

**6" FRONT DROP  
 WITH STAINLESS STEEL CAP ALL SIDES**

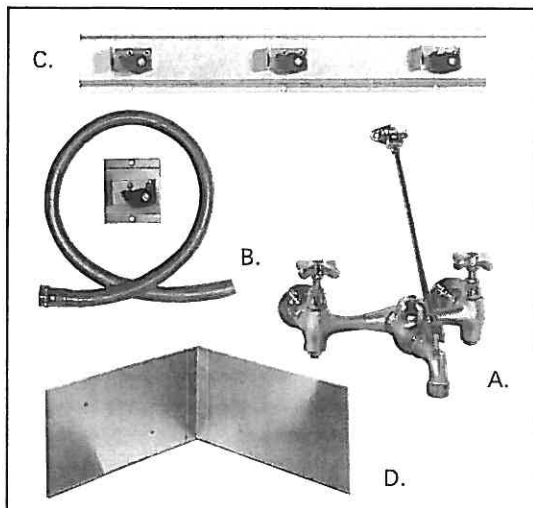
MODEL	SIZE
HL-1810	24"x24"x12"
HL-1910	32"x32"x12"
HL-2010	36"x36"x12"
HL-2110	36"x24"x12"

**6" FRONT DROP  
 WITH STAINLESS STEEL CAP**

MODEL	SIZE
SBC-1700	24"x24"x12"
SBC-1702*	24"x24"x12"
SBC-1725	32"x32"x12"
SBC-1750	36"x36"x12"

\*NOTE: 2 tiling flanges extending 1" above shoulder on 2 sides.

Model No. ( ) Size ( ), as manufactured by Stern-Williams Co., Inc. Shoulders shall not be less than 9-3/4" high inside measurement, and not less than 1-1/4" wide. All models have 6" drop at threshold. Drain shall be cast brass with stainless steel strainer cast integral and shall provide for a caulked lead connection not less than 1" deep to a 3" pipe. Receptor composed of pearl gray marble chips and white Portland cement ground smooth, grouted and sealed to resist stains. Stainless steel cap of one piece 20 ga. 302 stainless steel cast integral on threshold.



**QUALITY OPTIONAL FITTINGS**

- A. **T-10-VB** Mop-Service sink fitting with vacuum breaker, adjustable top brace, 3/4" hose thread on spout with bucket hook inlets 8" on center, chrome finish.
- T-15 VB** same as above with polished chrome finish.
- B. **T-35** Hose and wall hook. Hose 36" long, with 3/4" chrome couplings. Wall bracket of stainless steel.
- C. **T-40** Stainless Steel Mop Hanger of stainless steel with #4 finish. . . 24" long, with 3 rubber spring loaded grips.
- D. **BP** Splash Catcher Panels of 20 ga. type 304 stainless steel.

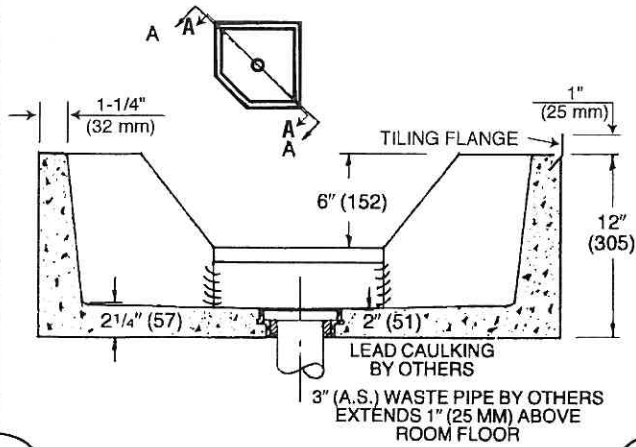
**JOB**

**ARCHITECT**

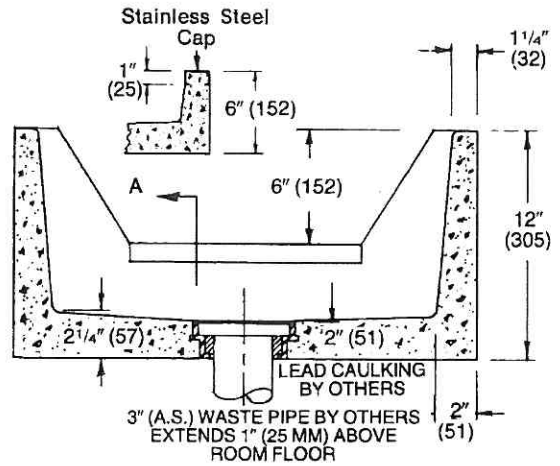
**LOCATION**

**ENGINEER**

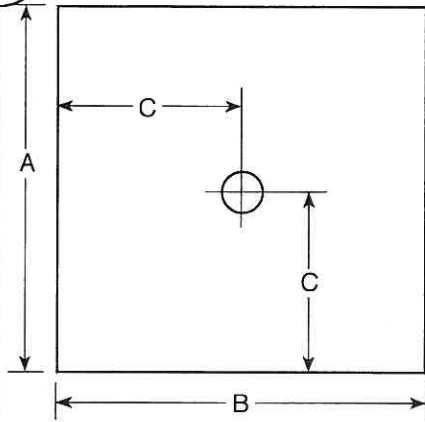
### CROSS SECTION SERIES 1700



### CROSS SECTION SERIES 1800, 1900, 2000, 2100



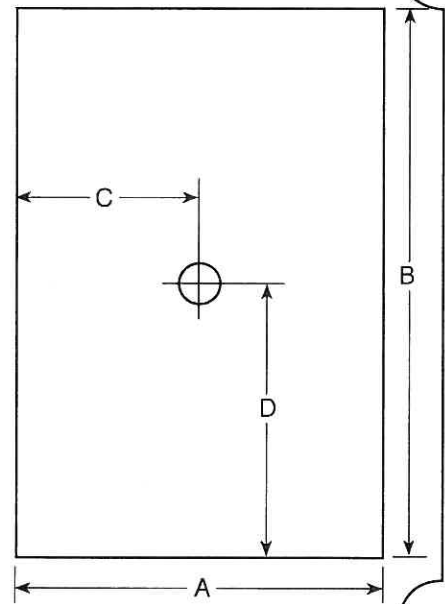
### ROUGH-IN SERIES 1800, 1900, 2000, 2100



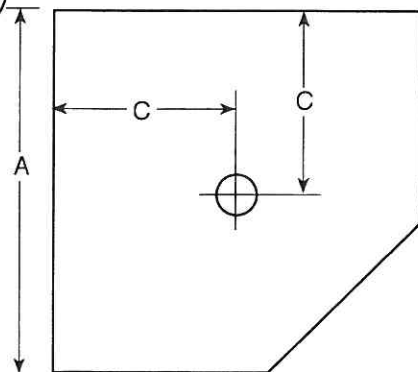
MODEL	A		B		C	
	IN	MM	IN	MM	IN	MM
1800	24	610	24	610	12	305
1900	32	813	32	813	16	406
2000	36	915	36	915	18	457

MODEL	A		B		C	
	IN	MM	IN	MM	IN	MM
1810	24	610	24	610	12	305
1910	32	813	32	813	16	406
2010	36	915	36	915	18	457

MODEL	A		B		C		D	
	IN	MM	IN	MM	IN	MM	IN	MM
2100	24	610	36	915	12	305	18	457
2110	24	610	36	915	12	305	18	457



### ROUGH-IN MODEL 1700 SERIES



MODEL	A		B		C	
	IN	MM	IN	MM	IN	MM
SBC-1700	24	610	24	610	12	305
SBC-1702	24	610	24	610	12	305
SBC-1725	32	813	32	813	12	305
SBC-1750	36	915	36	915	12	305

Note: All dimensions subject to manufacturing variance of plus or minus 1/4" (6 MM).



## FAUCET DESCRIPTION

- Brass construction, rough chrome finish
- Integral vacuum-breaker
- 3/4" Garden hose threaded spout
- 1/2" IPS eccentric connections
- "Service stops"
- "Wall mounting bracket"
- Vandal resistant torx head screws

## OPERATION

- Lever style handles with hot and cold color indicators


## FLOW

- Unrestricted

## CARTRIDGE

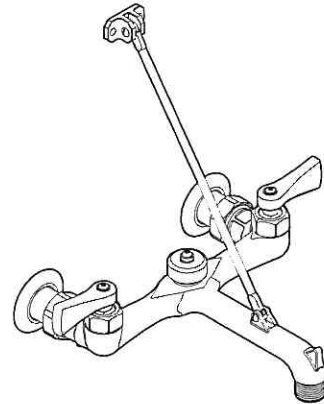
- Brass shell ceramic disc cartridge
- 1/4 turn operation

## STANDARDS

- Third party certified by IAPMO and CSA to meet ASME A112.18.1M and all applicable specifications referenced therein
- ADA  for lever handles

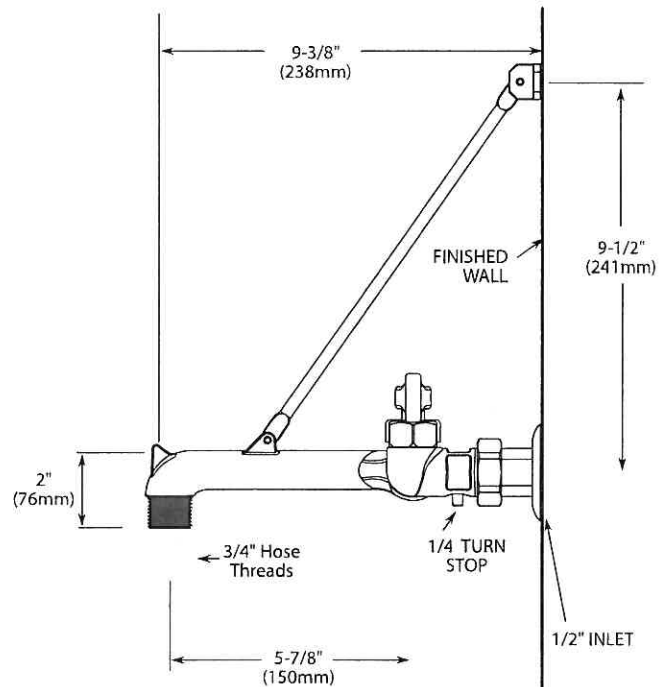
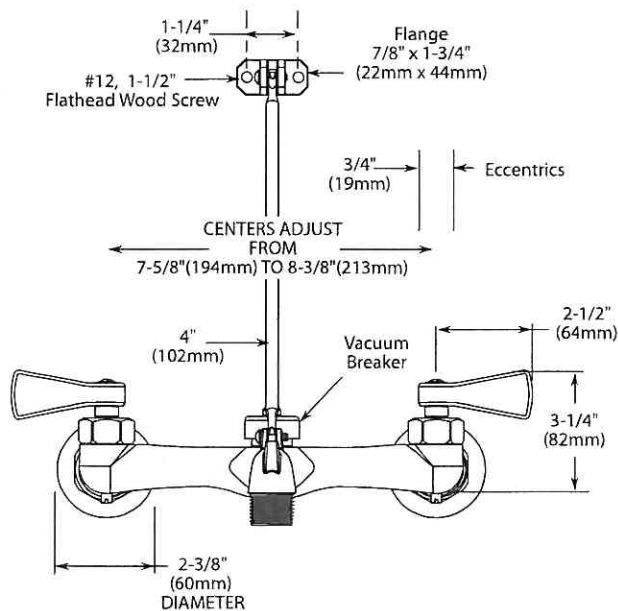
## WARRANTY

- Warranted for 5 years against material or manufacturing defects



**Two-Handle Service Sink Faucet**

**Model: 8230 (Chrome)**



## CRITICAL DIMENSIONS

(DO NOT SCALE)

**UR-1**

### WASHBROOK® FloWise® UNIVERSAL URINAL

- Vitreous china
- Ultra High Efficiency, Low Consumption. Operates in the range of 0.125gpf to 1.0gpf (0.5 Lpf to 3.8 Lpf)
- Flushing rim
- Elongated 14" rim from finished wall
- Washout flush action
- Extended sides for privacy
- 3/4" inlet spud
- Outlet connection threaded 2" inside (NPTF)
- 2 wall hangers
- Fixture only
- Strainer included
- Meets ASME flush requirements at 0.125 to 1.0 gpf

- 6590.001** Universal Top spud
- 6515.001** Universal Back spud

#### Nominal Dimensions:

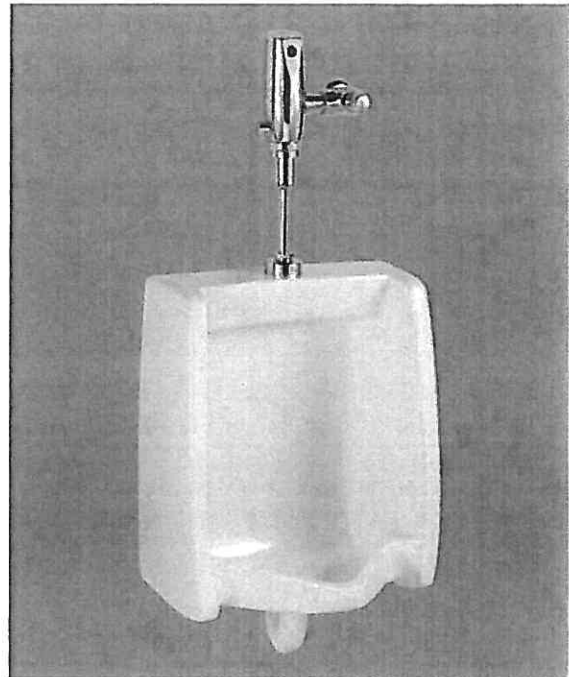
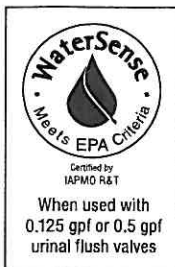
360 x 480 x 664mm  
(14-1/8" x 18-7/8" x 26-1/8")

Recommended working pressure – between  
20 psi at valve when flushing and 80 psi static

#### Compliance Certifications -

##### Meets or Exceeds the Following Specifications:

- ASME A112.19.2-2008/CSA B45.1-08 for Vitreous China Fixtures

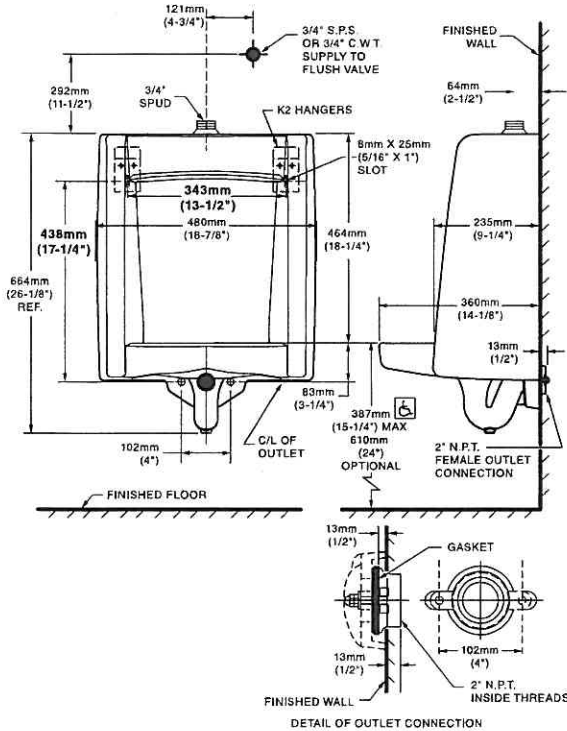


SEE REVERSE FOR ROUGHING-IN DIMENSIONS

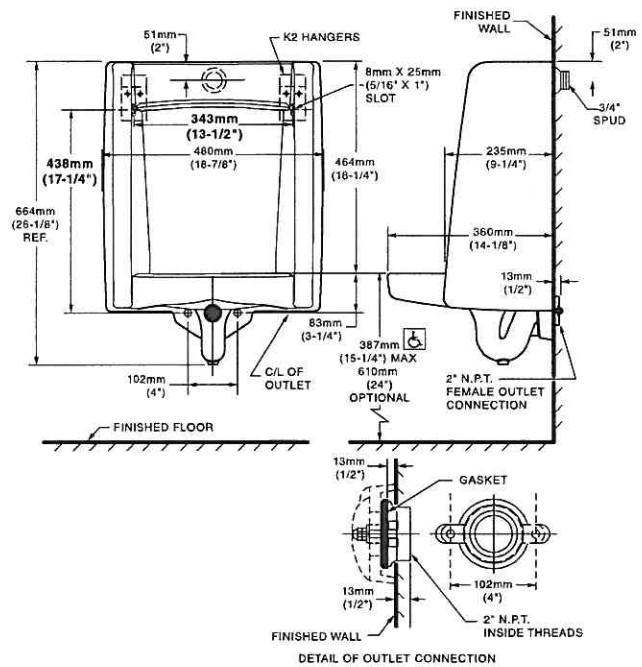
#### To Be Specified:

- Color:  White
- Flush Valve:
  - 1.0 gpf Flush Valve: Sensor-Operated:
    - American Standard Selectronic® #6063.101.002 DC Power (Top Spud)
    - American Standard Selectronic® #6062.310.007 AC Power (Back Spud)
  - 1.0 gpf Flush Valve: Manual-Operated:
    - American Standard # 6045.101.002
  - 0.5 gpf Flush Valve: Sensor-Operated:
    - American Standard Selectronic® #6063.051.002 DC Power (Top Spud)
    - American Standard Selectronic® #6062.305.007 AC Power (Back Spud)
  - 0.5 gpf Flush Valve: Manual-Operated:
    - American Standard #6045.051.002
  - 0.125 gpf Flush Valve: Sensor-Operated:
    - American Standard Selectronic® #6063.013.002 DC Power (Top Spud)
    - American Standard Selectronic® #6062.301.007 AC Power (Back Spud)
  - 0.125 gpf Flush Valve: Manual-Operated:
    - American Standard #6045.013.002

6590.001 TOP SPUD



6515.001 BACK SPUD



MEETS THE AMERICANS WITH DISABILITIES ACT GUIDELINES AND ANSI A117.1 ACCESSIBLE AND USABLE BUILDINGS AND FACILITIES - CHECK LOCAL CODES.

- When installed so top of rim is 387mm (15-1/4") from finished floor.

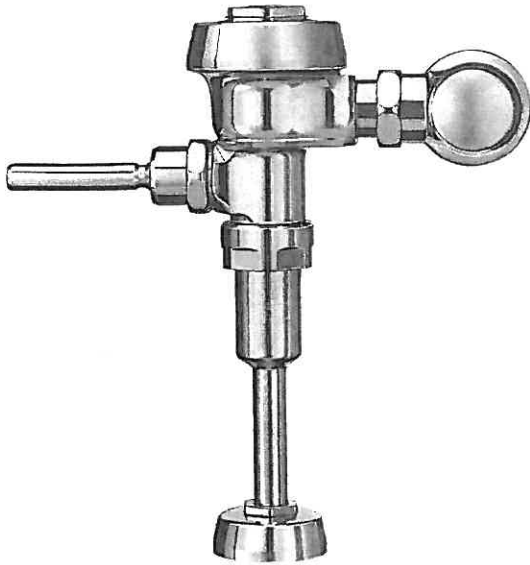
**NOTES:**  
FLUSH VALVE NOT INCLUDED AND MUST BE ORDERED SEPARATELY.  
PROVIDE SUITABLE REINFORCEMENT FOR ALL WALL SUPPORTS.

**IMPORTANT:** Dimensions of fixtures are nominal and may vary within the range of tolerances established by ANSI Standard A112.19.2. These measurements are subject to change or cancellation. No responsibility is assumed for use of superseded or voided pages.



# Royal® Model Flushometer

# 186 HEU



### Description

Exposed high-efficiency urinal Flushometer, for 3/4" top spud high-efficiency urinals.

### Flush Cycle

- Model 186-0.125 High-Efficiency (0.125 gpf/0.5 Lpf)
- Model 186-0.25 High-Efficiency (0.25 gpf/1.0 Lpf)
- Model 186-0.5 High-Efficiency (0.5 gpf/1.9 Lpf)

### Specifications

Quiet, Exposed, Diaphragm Type, Chrome Plated Urinal Flushometer with the following features:

- For Flushing Volume 0.125 and 0.25: Dual Linear Filtered Bypass Diaphragm
- For Flushing Volume 0.5: Dual Filtered Fixed Bypass Diaphragm
- ADA Compliant Metal Oscillating Non-Hold-Open Handle with Triple Seal Handle Packing
- 3/4" I.P.S. Screwdriver Bak-Chek® Angle Stop w/ Free Spinning Vandal Resistant Stop Cap
- Adjustable Tailpiece
- High Back Pressure Vacuum breaker flush connection w/ one-piece bottom hex coupling nut
- Spud Coupling and Flange for 3/4" Top Spud
- Sweat Solder Adapter w/Cover Tube & Cast Wall Flange w/Set Screw
- High Copper, Low Zinc Brass Castings for Dezincification Resistance
- Non-Hold-Open Handle, Fixed Metering Bypass and No External Volume Adjustment to Ensure Water Conservation
- Flush Accuracy Controlled by CID Technology
- Diaphragm, Handle Packing, Stop Seat and Vacuum Breaker molded from PERMEX Synthetic Rubber Compound for Chloramine Resistance
- 100% of the energy used in manufacturing is offset w/ Renewable Energy Sources – Wind Energy

Valve Body, Cover, Tailpiece and Control Stop shall be in conformance with ASTM Alloy Classification for Semi-Red Brass. Valve shall be in compliance to the applicable sections of ASSE 1037 and ANSI/ASME A112.19.2.

### Variations

- HL-3** 3" Metal Oscillating Push Button on front of valve  
(does not meet ADA requirements)
- SG** SaniGuard® Antimicrobial Coating Protects Handle\*

\* SaniGuard does not protect users or others against disease-causing bacteria.

### Special Finishes

- PVDPB** Polished Brass
- PVDBN** Brushed Nickel
- PVDSF** Satin Chrome

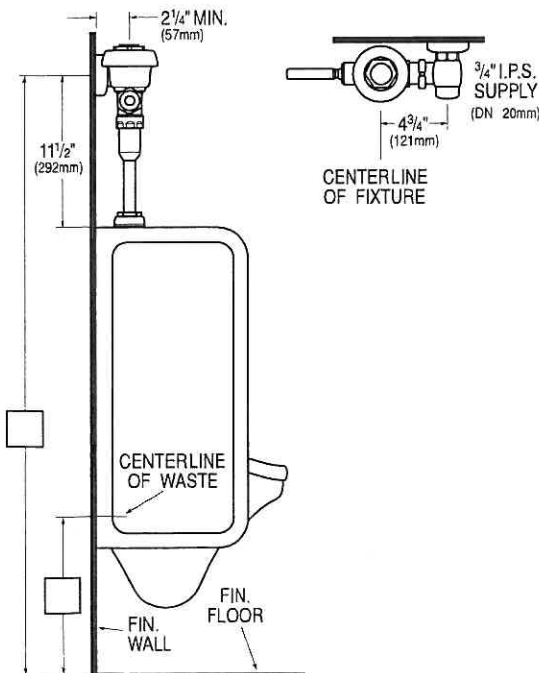
### Accessories

See Accessories Section of the Sloan catalog for details on these and other flushometer variations.

### Fixtures

Contact Sloan for Sloan brand matching fixture options.

Made In The  
**USA**



This space for Architect/Engineer approval

Job Name \_\_\_\_\_ Date \_\_\_\_\_

Model Specified \_\_\_\_\_ Quantity \_\_\_\_\_

Variations Specified \_\_\_\_\_

Customer/Wholesaler \_\_\_\_\_

Contractor \_\_\_\_\_

Architect \_\_\_\_\_

The information contained in this document is subject to change without notice.

**SLOAN**

SLOAN • 10500 SEYMOUR AVENUE • FRANKLIN PARK, IL 60131  
Ph: 1-800-982-5839 • Fax: 1-800-447-8329 • www.sloanvalve.com

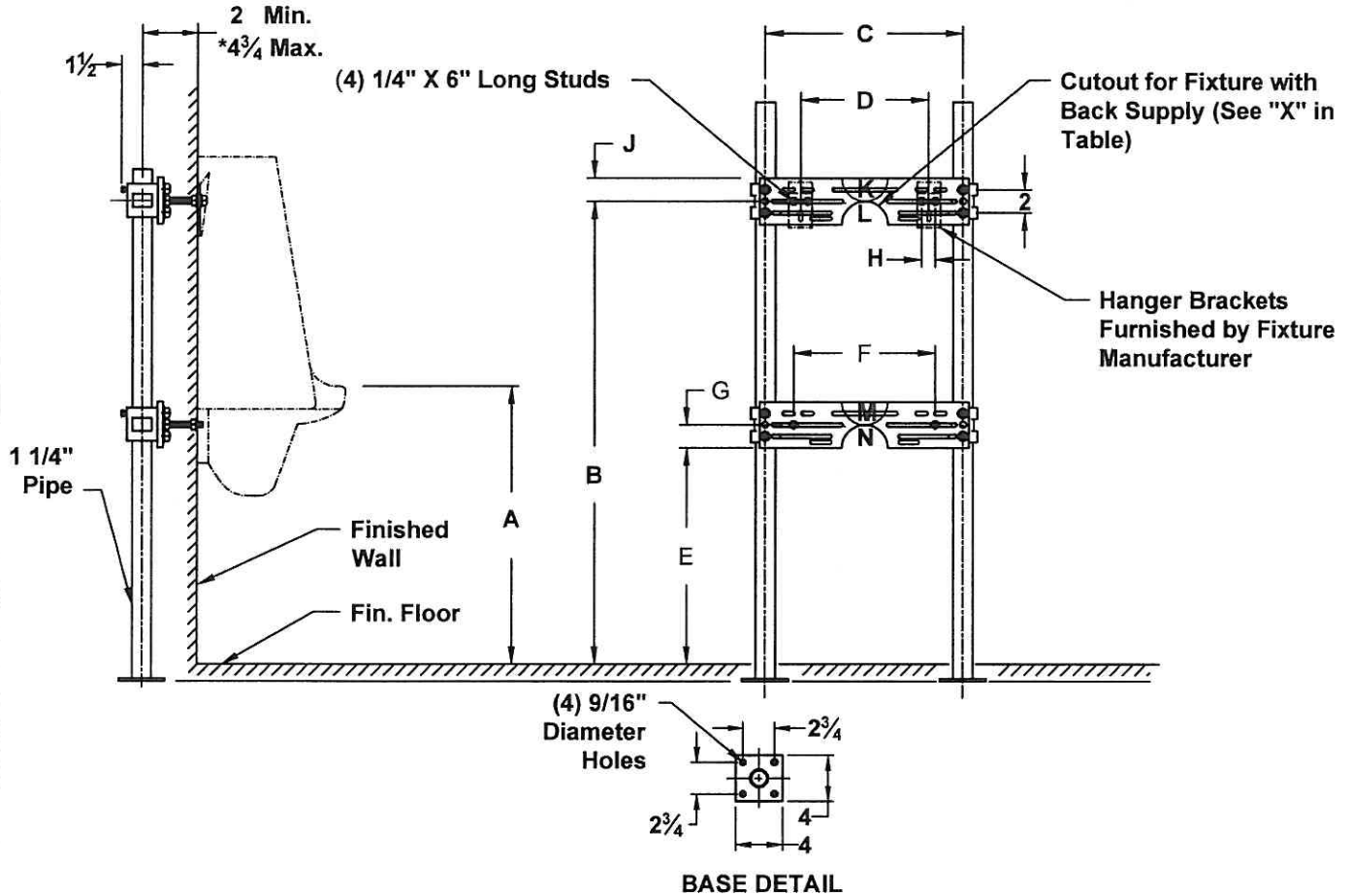


**JAY R. SMITH MFG. CO.**  
 DIVISION OF SMITH INDUSTRIES, INC.  
 POST OFFICE BOX 3237  
 MONTGOMERY, ALABAMA 36109-0237 (USA)  
 TEL: 334-277-8520 TELEX: 782306 FAX: 334-272-7396



LOCATION

**FIXTURE SUPPORT FLOOR MOUNTED TYPE**  
 WITH SUPPORT PLATES AND FIXTURE MOUNTING STUDS  
 FOR URINALS WITH CONCEALED WALL HANGERS



FIXTURE MANUFACTURER	NUMBER	A	B	C	D	E	F	G
American Standard	6590.001	15 1/4	30 1/4	17	13 1/2	11 3/4	8	1
<b>FIXTURE NAME</b>	6590.005	<b>H</b>	<b>J</b>	<b>K</b>	<b>L</b>	<b>M</b>	<b>N</b>	
Washbrook "Flowise 0.5"	6590.525	1 3/16	2	X	----	----	X	

**NOTE:** Uses two(2) 70085-86-6 universal support plates.

**NOTE:** \*This dimension can be increased when fixture support is to be installed behind the wall. (Specify when required and wall thickness).

**NOTE:** The rough-in dimensions listed on this drawing are based on current information available to Jay R. Smith by the fixture manufacturers. We recommend that you verify these dimensions with the fixture manufacturer. We will not accept responsibility for rough-in dimension changes by the fixture manufacturer.

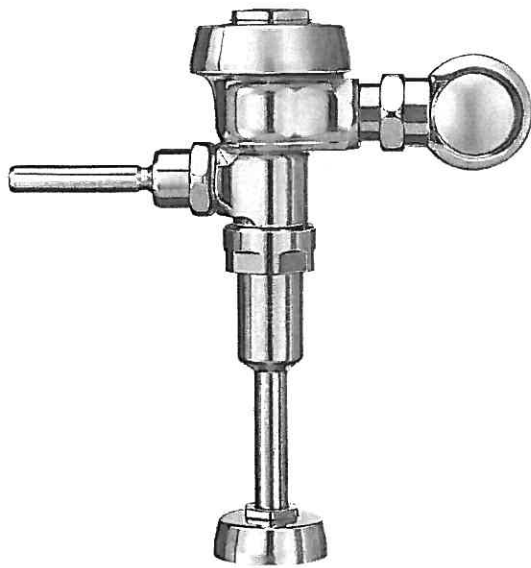
DRAWING NUMBER: S0637-AMER-STD-6590-005  
 SIZE: A  
 SCALE: NONE  
 DATE: 11-14-2002  
 APPROVED: [Signature]  
 CHECKED BY: CL  
 DRAWN BY: CR  
 FIGURE NUMBER: 0637  
 DIMENSIONS ARE SUBJECT TO MANUFACTURERS TOLERANCE AND CHANGE WITHOUT NOTICE  
 WE CAN ASSUME NO RESPONSIBILITY FOR USE OF SUPERSEDED OR VOID DATA

A	11-06-2008	REDRAWN/UPDATED	CR	CR
REV.	DATE	DESCRIPTION	BY	CKD. BY

WEIGHT POUNDS	VOLUME CUBIC FEET

**FIGURE NUMBER**  
**0637**

**UR-2**



# Royal® Model Flushometer

# 186 HEU

### Description

Exposed high-efficiency urinal Flushometer, for 3/4" top spud high-efficiency urinals.

### Flush Cycle

- Model 186-0.125 High-Efficiency (0.125 gpf/0.5 Lpf)
- Model 186-0.25 High-Efficiency (0.25 gpf/1.0 Lpf)
- Model 186-0.5 High-Efficiency (0.5 gpf/1.9 Lpf)

### Specifications

Quiet, Exposed, Diaphragm Type, Chrome Plated Urinal Flushometer with the following features:

- For Flushing Volume 0.125 and 0.25: Dual Linear Filtered Bypass Diaphragm
- For Flushing Volume 0.5: Dual Filtered Fixed Bypass Diaphragm
- ADA Compliant Metal Oscillating Non-Hold-Open Handle with Triple Seal Handle Packing
- 3/4" I.P.S. Screwdriver Bak-Chek® Angle Stop w/ Free Spinning Vandal Resistant Stop Cap
- Adjustable Tailpiece
- High Back Pressure Vacuum breaker flush connection w/ one-piece bottom hex coupling nut
- Spud Coupling and Flange for 3/4" Top Spud
- Sweat Solder Adapter w/Cover Tube & Cast Wall Flange w/Set Screw
- High Copper, Low Zinc Brass Castings for Dezincification Resistance
- Non-Hold-Open Handle, Fixed Metering Bypass and No External Volume Adjustment to Ensure Water Conservation
- Flush Accuracy Controlled by CID Technology
- Diaphragm, Handle Packing, Stop Seat and Vacuum Breaker molded from PERMEX Synthetic Rubber Compound for Chloramine Resistance
- 100% of the energy used in manufacturing is offset w/ Renewable Energy Sources – Wind Energy

Valve Body, Cover, Tailpiece and Control Stop shall be in conformance with ASTM Alloy Classification for Semi-Red Brass. Valve shall be in compliance to the applicable sections of ASSE 1037 and ANSI/ASME A112.19.2.

### Variations

- HL-3** 3" Metal Oscillating Push Button on front of valve  
(does not meet ADA requirements)
- SG** SaniGuard® Antimicrobial Coating Protects Handle\*

\* SaniGuard does not protect users or others against disease-causing bacteria.

### Special Finishes

- PVDPB** Polished Brass
- PVDBN** Brushed Nickel
- PVDSF** Satin Chrome

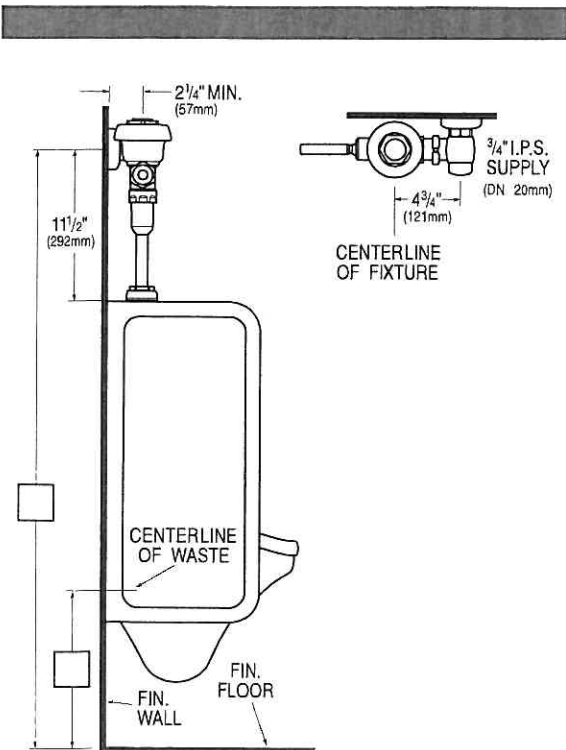
### Accessories

See Accessories Section of the Sloan catalog for details on these and other flushometer variations.

### Fixtures

Contact Sloan for Sloan brand matching fixture options.

Made In The  
**USA**



This space for Architect/Engineer approval

Job Name \_\_\_\_\_ Date \_\_\_\_\_

Model Specified \_\_\_\_\_ Quantity \_\_\_\_\_

Variations Specified \_\_\_\_\_

Customer/Wholesaler \_\_\_\_\_

Contractor \_\_\_\_\_

Architect \_\_\_\_\_

The information contained in this document is subject to change without notice.



SLOAN • 10500 SEYMOUR AVENUE • FRANKLIN PARK, IL 60131  
Ph: 1-800-982-5839 • Fax: 1-800-447-8329 • www.sloanvalve.com



**WC-1, WC-2**



# AFWALL® MILLENNIUM™ FloWise® ELONGATED FLUSHOMETER TOILET

VITREOUS CHINA LESS EVERCLEAN®

BARRIER FREE

## AFWALL® MILLENNIUM™ FloWise® ELONGATED FLUSHOMETER TOILET LESS EVERCLEAN®

- Wall-mounted flushometer valve toilet
- Vitreous china
- Conventional glaze
- High Efficiency, Low Consumption. Operates in the range of 1.1 gpf to 1.6 gpf (4.2 Lpf to 6.0 Lpf)
- Meets definition of HET (High Efficiency Toilet) when used with a high efficiency flush valve (1.1 gpf - 1.6 gpf or 1.28/1.1 gpf dual flush)
- Maximum Performance (MaP) score of 1,000 grams at 1.1 gpf - 1.6 gpf
- Condensation channel
- Concealed trapway design
- Elongated bowl
- Powerful direct-fed siphon jet action
- 1-1/2" inlet spud
- Fully-glazed 2-1/8" trapway
- 10" x 12" water surface area
- Static weight load of 1,000 lbs.\*
- 100% factory flush tested

- 2257.101** Elongated bowl only, top spud
- 2257.101.NAF** Elongated bowl only, top spud, NAFTA Compliant
- 2633.101** Elongated bowl only, top spud with slotted rim for bedpan holding
- 2634.101** Elongated bowl only, back spud

### System MaP\* Score:

- 1,000 grams of miso @ 1.1 gpf to 1.6 gpf when used with an American Standard flush valve

\* Maximum Performance (MaP) testing performed by IAPMO R&T Lab. MaP Report conducted by Veritec Consulting, Inc. and Koeller and Company.

### Component Parts:

- 047007-0070A** Inlet Spud (furnished with bowl)

### Nominal Dimensions:

660 x 356 x 381mm  
(26" x 14" x 15")

Recommended working pressure—between 25 psi at valve when flushing and 80 psi static

Fixture only, less seat, bolt caps, and flushometer valve

### Compliance Certifications -

#### Meets or Exceeds the Following Specifications:

- ASME A112.19.2/CSA B45.1 for Vitreous China Fixtures

\* This product is not recommended for bariatric use.



SEE REVERSE FOR ROUGHING-IN DIMENSIONS

### To Be Specified:

- Color:  White
- Seat:
  - American Standard #5901.100 Heavy duty open front less cover
  - American Standard #5905.100 Extra heavy duty open front less cover
- Flushometer Valve:
  - 1.6 gpf:
    - Sensor-Operated: American Standard Selectronic® DC Power #6065.161.002 (Top Spud) AC Power #6067.161.002 (Top Spud)
    - Manual: American Standard #6047.161.002 (Top Spud)
  - 1.28 gpf:
    - Sensor-Operated: American Standard Selectronic® DC Power #6065.121.002 (Top Spud) AC Power #6067.121.002 (Top Spud)
    - Manual: American Standard #6047.121.002 (Top Spud)
  - 1.6 / 1.1 gpf Dual Flush:
    - Sensor-Operated: American Standard Selectronic® DC Power #6065.761.002 (Top Spud) AC Power #6067.761.002 (Top Spud)
  - 1.28 / 1.1 gpf Dual Flush:
    - Sensor-Operated: American Standard Selectronic® DC Power #6065.721.002 (Top Spud) AC Power #6067.721.002 (Top Spud)

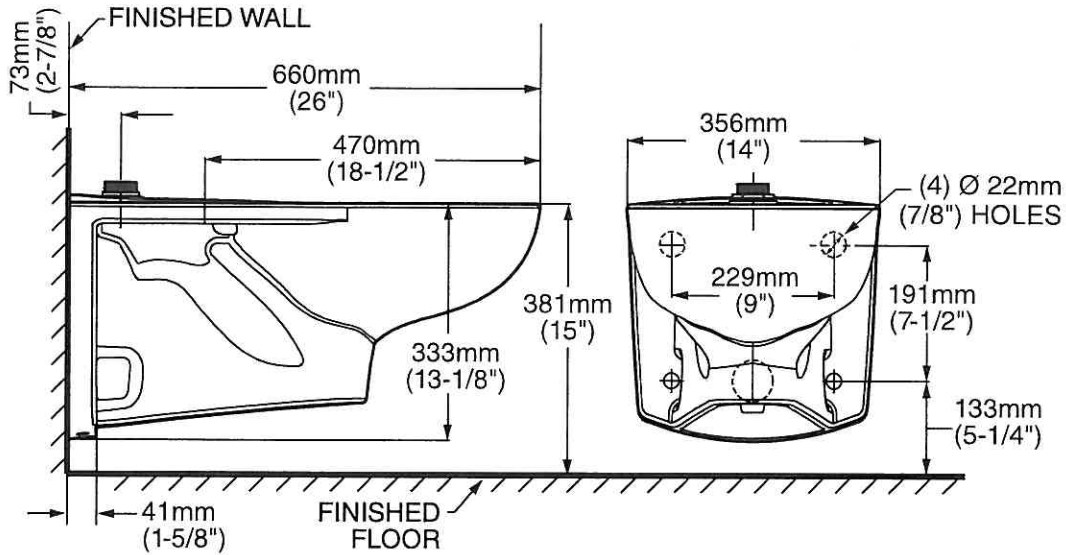


MEETS THE AMERICANS WITH DISABILITIES ACT GUIDELINES AND ANSI A117.1 REQUIREMENTS FOR ACCESSIBLE AND USABLE BUILDING FACILITIES - CHECK LOCAL CODES.

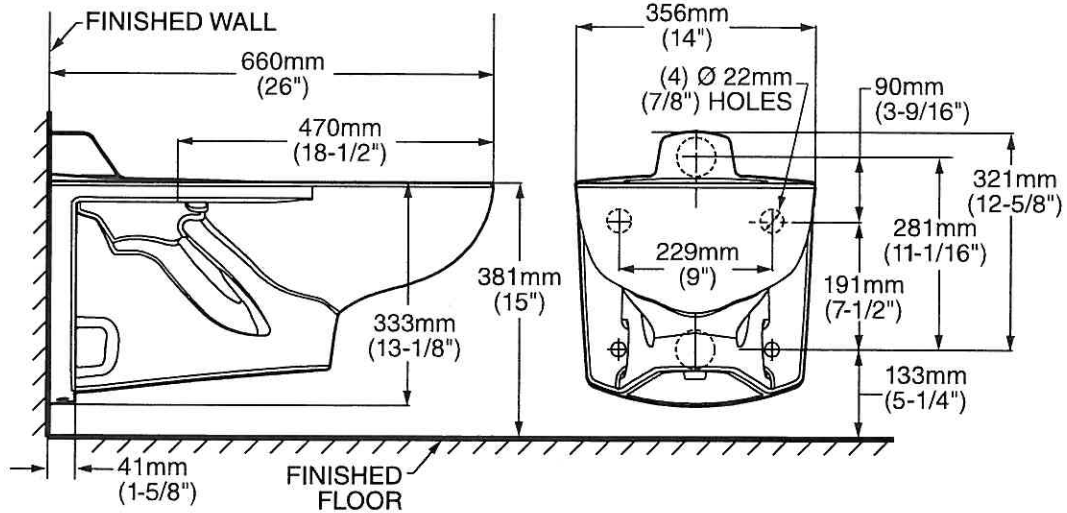
- When installed so top of seat is 432 to 483mm (17" to 19") from the finished floor.



2257.101/2633.101



2634.101



NOTES:

● Toilet designed to meet ADA accessibility standards when top of seat height set at 432 to 483mm (17" to 19") from finished floor.

PRODUCT 2257 SHOWN, 2366 SAME EXCEPT WITH SLOTTED RIM FOR BED PAN HOLDING.

WASTE OUTLET SEAL RING MUST BE NEOPRENE OR GRAPHITE-FELT (WAX RING NOT RECOMMENDED).

SUGGESTED 2mm (1/16) CLEARANCE BETWEEN FACE OF WALL AND BACK OF BOWL.

TO COMPLY WITH AREA CODE GOVERNING THE HEIGHT OF VACUUM BREAKER ON THE FLUSHOMETER VALVE, THE PLUMBER MUST

VERIFY DIMENSIONS SHOWN FOR SUPPLY ROUGHING.

FLUSHOMETER VALVE NOT INCLUDED WITH FIXTURE AND MUST BE ORDERED SEPARATELY.

CARRIER FITTING AS REQUIRED TO BE FURNISHED BY OTHERS.

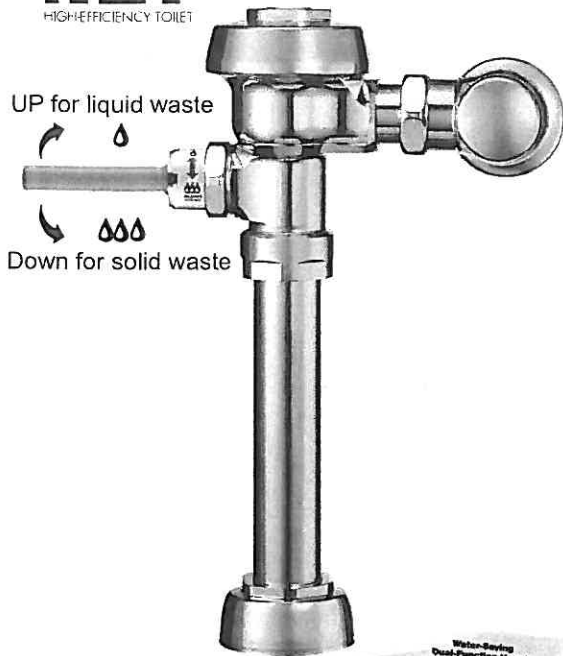
PROVIDE SUITABLE REINFORCEMENT FOR ALL WALL SUPPORT.

**IMPORTANT:** Dimensions of fixtures are nominal and may vary within the range of tolerances established by ANSI Standard A112.19.2. These measurements are subject to change or cancellation. No responsibility is assumed for use of superseded or voided pages

# UPPERCUT®

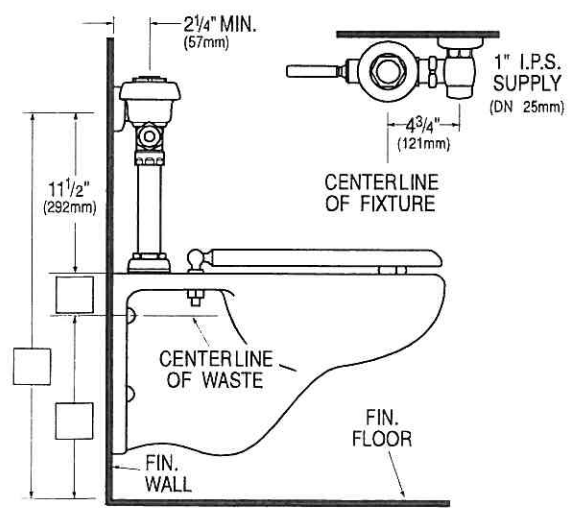
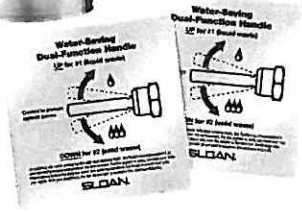
The Fastest Way to Start Saving Water!

**HET**  
HIGH-EFFICIENCY TOILET



UP for liquid waste

Down for solid waste



## Dual-Flush Flushometer

# WES-111

### Description

Exposed Water Closet Flushometer with Dual Flush Feature, for floor mounted or wall hung top spud bowls.

### Flush Cycle

WES-111 High Efficiency (Down 1.6 gpf/6.0 Lpf, Up 1.1 gpf/4.2 Lpf)

### Specifications

Dual Flush, Quiet, Exposed, Diaphragm Type, Chrome Plated Closet Flushometer with the following features:

- Lifting Handle UP initiates reduced flush (1.1 gpf/4.2 Lpf), eliminating liquid and paper waste, saving a ½-gallon of water
- Pushing Handle DOWN initiates full flush (1.6 gpf/6.0 Lpf), eliminating all waste
- Reduces water volume by up to 30% when activated UPWARDS
- Antimicrobial Coating protects handle\*
- PERMEX® Synthetic Rubber Diaphragm with Dual Filtered Fixed Bypass
- Distinctive Green ADA Compliant Metal Non-Hold-Open Handle with Triple Seal Handle Packing signifies Water Conserving Device
- 1" I.P.S. Screwdriver Bak-Chek® Angle Stop with Free Spinning Vandal Resistant Stop Cap
- Adjustable Tailpiece
- High Back pressure vacuum breaker flush connection w/ one-piece bottom hex coupling nut
- Spud Coupling and Flange for 1½" Top Spud
- Sweat Solder Adapter with Cover Tube and Cast Set Screw Wall Flange
- High Copper, Low Zinc Brass Castings for Dezincification Resistance
- Non-Hold-Open Handle, Fixed Metering Bypass and No External Volume Adjustment to Ensure Water Conservation
- Flush Accuracy Controlled by CID Technology
- Diaphragm, Handle Packing, Stop Seat and Vacuum Breaker molded from PERMEX® Rubber Compound for Chloramine Resistance
- Includes two (2) adhesive backed Metal Wall Plates etched with Instructions

Valve Body, Cover, Tailpiece and Control Stop shall be in conformance with ASTM Alloy Classification for Semi-Red Brass. Valve shall be in compliance to the applicable sections of ASSE 1037.

\* Antimicrobial coating does not protect users or others against disease-causing bacteria

### Variations

- TP Trap Primer
- YG Extended Bumper on Angle Stop (for seat with cover)
- YO Bumper on Angle Stop (for open front seat without cover)

### Accessories

See Accessories Section of the Sloan catalog for details on these and other Flushometer variations.

### Fixtures

Consult Sloan for Sloan brand matching fixture options.

Manufactured in the U.S.A. by Sloan Valve Company under one or more of the following patents: 7,607,635; 8,033,522; 8,042,787. Other Pats. Pending.

Made In The  
**USA**



This space for Architect/Engineer approval

The information contained in this document is subject to change without notice.

# SLOAN®

SLOAN • 10500 SEYMOUR AVENUE • FRANKLIN PARK, IL 60131  
Ph: 1-800-9-VALVE-9 • Fax: 1-800-447-8329 • www.sloanvalve.com



# COMMERCIAL HEAVY-DUTY PLASTIC TOILET SEAT

MODEL #

COLOR #

~~1955CT~~/1955SSCT

## DESCRIPTION:

Open front less cover, elongated, heavy-duty, injection molded solid plastic toilet seat. Features four molded-in bumpers, non self-sustaining (1955CT) or self-sustaining (1955SSCT) check hinges with non-corrosive 300 Series stainless steel posts and pintles and STA-TITE® Commercial Fastening System™. This seat complies with IAPMO/ANSI Z124.5-2013 Plastic Toilet Seats as a class Commercial Heavy Duty.

## SPECIFICATIONS:

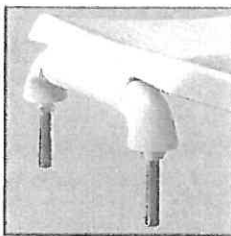
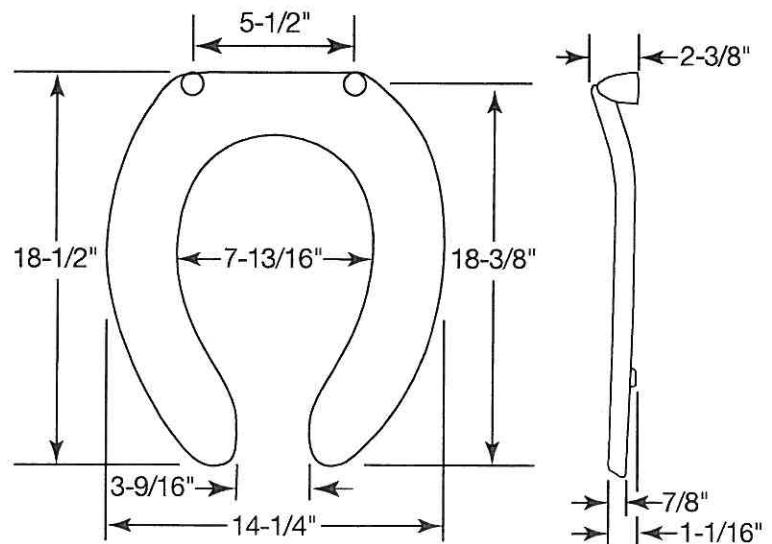
Size:	Elongated
Material:	Plastic
Style:	Open Front less Cover
Bumpers:	Four
Hinges:	Plastic Non Self-Sustaining (1955CT) or Self-Sustaining (1955SSCT) with 300 Series Stainless Steel Posts and Pintles
Fastening System:	STA-TITE® Commercial Fastening System™

## FEATURES:

STA-TITE® Commercial Fastening System™

Non-Corrosive 300 Series Stainless Steel Posts and Pintles

## DIMENSIONS:



PLASTIC HINGES WITH  
STAINLESS STEEL POSTS  
AND PINTLES



STA-TITE® COMMERCIAL  
FASTENING SYSTEM™

Proudly Made in the USA

Bemis Manufacturing Co., Sheboygan Falls, WI 53085  
www.ToiletSeats.com

Phone: 800-558-7651 Fax: 800-292-3647



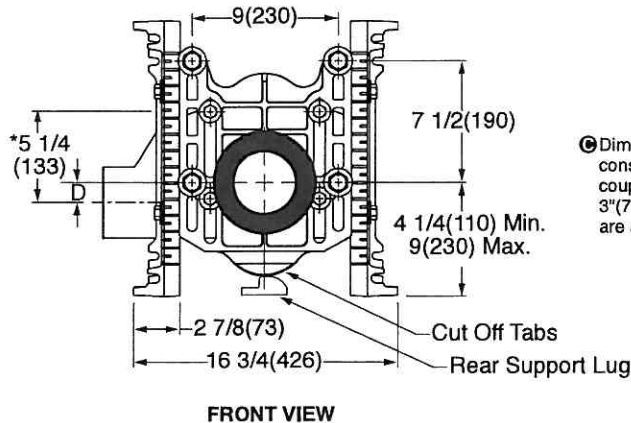
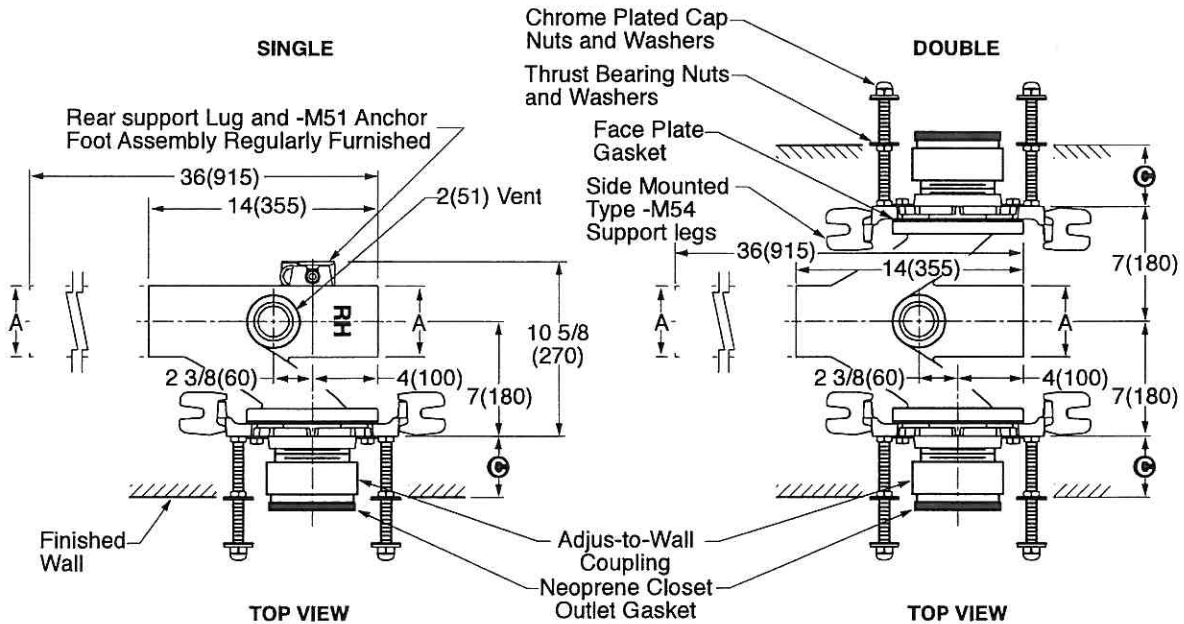
LOCATION

# ADJUSTABLE FIXTURE SUPPORTS FOR SIPHON JET WATER CLOSETS

DRAWING NUMBER: s0211Y, 0221Y (-M54)  
 SIZE: A  
 SCALE: NONE  
 DATE: 4-3-12  
 APPROVED BY: JM  
 CHECKED BY: AM  
 DRAWN BY: CR  
 FIGURE NUMBER: 0211Y (-M54), 0221Y (-M54)

WE CAN ASSUME NO RESPONSIBILITY FOR USE OF SUPERSEDED OR VOID DATA

DIMENSIONS ARE SUBJECT TO MANUFACTURERS TOLERANCE AND CHANGE WITHOUT NOTICE



A SIZE	D	
	MIN	MAX
4(100)	5/8(16)	3 3/8(87)

- NOTES:**
1. Base Support must be securely anchored to the floor (with one 1/2"(13) bolt per base support provided by installer.)
  2. All single supports shall have the rear support lug anchored by contractor to assure a rigid installation. The rear support completes the 3 point anchoring system for ultimate stability of the installation.
  3. Dimensions shown in parentheses are in millimeters.
  4. \*Dimension to top of vent.

Ⓞ Dimension = 4"(100) (Regularly Furnished) consisting of nipple and Adjus-to-Wall coupling permitting adjustment from 3"(76) min. to 4"(100) max. Longer nipples are available, specify Ⓞ dimension.

- Fig. 0211LY (-M54) ..... NO-HUB Left Hand
- Fig. 0211RY (-M54) ..... NO-HUB Right Hand
- Fig. 0211DY (-M54) ..... NO-HUB Double
- Fig. 0221LY (-M54) ..... NO-HUB Left Hand Long Barrel
- Fig. 0221RY (-M54) ..... NO-HUB Right Hand Long Barrel
- Fig. 0221DY (-M54) ..... NO-HUB Double Long Barrel

REV.	DATE	DESCRIPTION	BY	CKD. BY	WEIGHT POUNDS	VOLUME CUBIC FEET	FIGURE NUMBER
C	10-27-14	Added 0221Y (-M54)	TBW	CL			0211Y (-M54) 0221Y (-M54)
B	8-5-13	Rev. Notes	TBW	JM			
A	9-14-12	Rev. Drawing, Notes	TBW	CL			



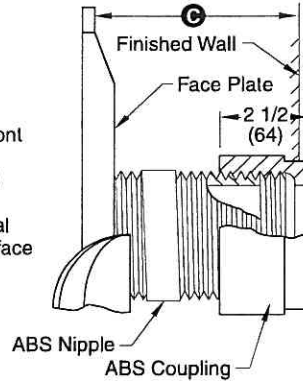
# MODIFICATIONS & VARIATIONS

## ⊙ DIMENSION - ADJUS-TO-WALL TYPE OUTLET CONNECTION

The Smith Adjus-to-Wall outlet connection provides adjustment at the face of the wall at the time the fixture is set; thus, compensating for wall construction variations. The ⊙ dimension is measured from the front of the face plate to the finished wall. To properly determine the length of nipple required, deduct 1" (25) from the ⊙ dimension. When the ⊙ dimension exceeds 7" (180), the -M40 Wide Pipe Chase Support is recommended. The Adjus-to-Wall coupling will provide 1/2" (13) horizontal adjustment in either direction with the coupling extended 5/16" (8) past face of the finished wall.

⊙ dimension = 4" (100) (regularly furnished) consisting of nipple and adjus-to-wall coupling permitting adjustment from 3" (76) min. to 4" (100) max.

\*ABS (Regularly Furnished) other length PVC.



### NIPPLE LENGTHS AVAILABLE

LENGTH	MIN	⊙	MAX
2 1/2 (64)	2 1/4 (57)	3 1/4 (83)	
*3 1/4 (83)	3 (76)	4 (100)	
*8 1/4 (210)	8 (205)	9 (230)	
10 (255)	9 3/4 (250)	10 3/4 (275)	
12 (305)	11 3/4 (300)	12 3/4 (325)	
15 (380)	14 3/4 (376)	15 3/4 (400)	
18 (455)	17 3/4 (450)	18 3/4 (475)	

NOTE: When nipple lengths between 3 1/4" (83) and 8 1/4" (210) are specified, the 8 1/4" (210) nipple will be supplied. Nipple must be cut to specified length by others.

## RECOMMENDED SETTING OF CLOSET OUTLET CONNECTION AND FIXTURE STUDS

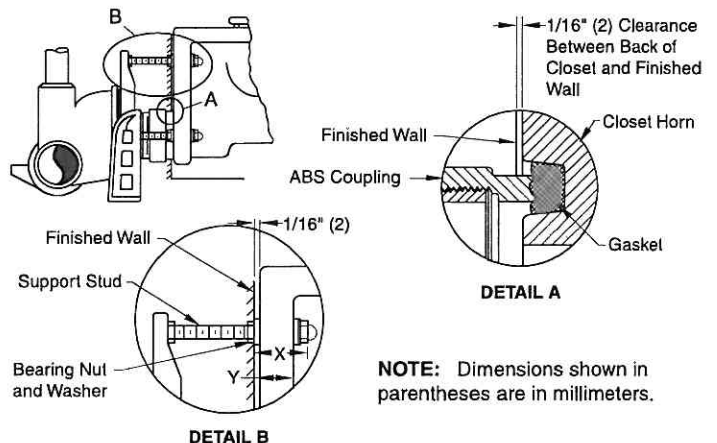
Manufacturers have slight differences in the depth of the closet horn and flange thickness of their closets. Usually the fixture support closet connection should extend 5/16" (8) beyond face of finished wall (Dimension "R") and the fixture studs 2 1/4" (57) (Dimension "X"). For exact dimensions please use the formulas below.

**DETAIL A** Formula for "R" is:  $S + 1/16" (2) - D = R$ .

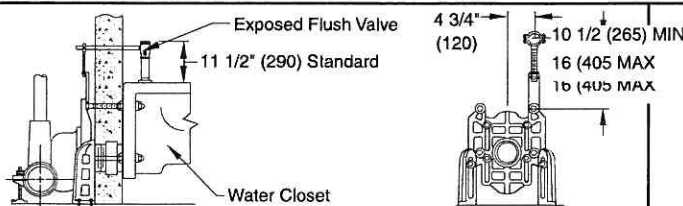
S = Depth of closet horn  
 1/16" (2) = Distance closet is to set away from finished wall.  
 D = 1/2" (13) for felt gasket and 3/8" (10) for neoprene gasket.  
 R = Distance coupling should extend beyond finished wall.  
 NOTE: When the fixture is installed, closet gasket must be compressed sufficiently to assure a gas and water-tight seal.

**DETAIL B** Formula for "X" is:  $Y + 1/16" (2) + 9/16" (14) = X$ .

Y = Thickness of closet wall flange.  
 1/16" (2) = Distance closet is to set away from finished wall.  
 X = Distance supporting stud should extend beyond finished wall.  
 NOTE: Bearing nuts and washers must be set to take full loading from the fixture allowing 1/16" (2) clearance between fixture and wall.

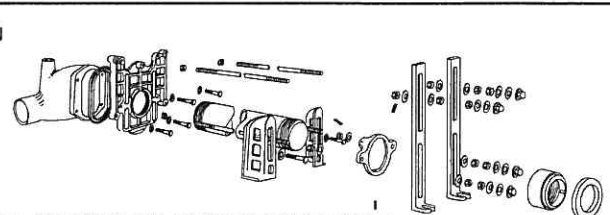


NOTE: Dimensions shown in parentheses are in millimeters.

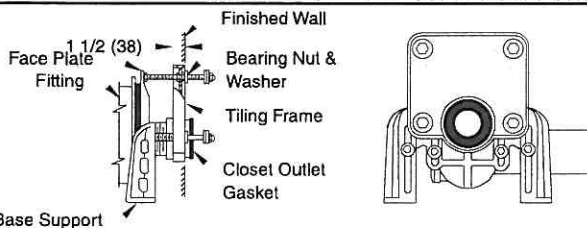


Provides support and alignment for the supply pipe to an exposed flush valve; must be specified for either 1" (25) copper tube or 1" (25) iron pipe.

### SUFFIX -M12 EXPOSED FLUSH VALVE SUPPLY SUPPORT



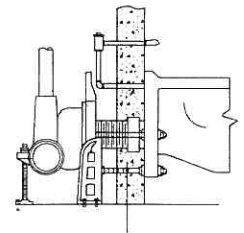
### -M40 WATER CLOSET SUPPORT FOR WIDE PIPE CHASE (USE WHEN ⊙ DIMENSION EXCEEDS 7" (180))



### SUFFIX -M13 TILING FRAME - POLYSTYRENE

## CONCEALED FLUSH VALVES

A concealed flush valve when used with a blowout water closet support will not clear the face plate. Therefore 4 1/2" (115) to 6 1/2" (165) is required from back of wall to face plate to permit the installation of the concealed flush valve piping.



DRAWING NUMBER: S0200BS  
 SIZE: A  
 SCALE: NONE  
 DATE: 2-28-86  
 APPROVED BY: JD  
 CHECKED BY: CR  
 DRAWN BY: VGD  
 0200/0300 Series Back Sheet  
 DIMENSIONS ARE SUBJECT TO MANUFACTURERS TOLERANCE AND CHANGE WITHOUT NOTICE  
 WE CAN ASSUME NO RESPONSIBILITY FOR USE OF SUPERSEDED OR VOID DATA

REV.	DATE	DESCRIPTION	BY	CKD. BY	WEIGHT POUNDS	VOLUME CUBIC FEET	FIGURE NUMBER
C	12-10-03	Revised Notes	RN	CL			0200/0300 Series Back Sheet
B	6-1-95	Added Millimeters	EMB	BS			
A	7-1-93	Submittal Update	EMB	BS			



**WF-1**

- cUPC Certified
- Serves One to Four Users at a Time
- Unique, Repairable, Solid Surface Material
- Vandal Resistant – Easy to Clean
- Saves Water, Energy and Space
- ADA/TAS Compliant
- Available with Air Metering, TouchTime®, Infrared or Battery Infrared Control

## Specifications

### Size and Capacity

Accommodates 1 to 4 users at a time, using less water, energy and space than four lavs equipped with conventional faucets. The pre-assembled bowl and sprayhead module is equipped with four independent streamformers, each controlled by a separate push button or infrared sensor.

### Flow Control/Rate

Operating water pressure range is 20–80 psi. A flow restrictor keeps the flow rate at a constant .5 GPM under any pressure.

## Construction

### Bowl and Pedestal

Constructed of Terreon®, a densified solid surface material composed of polyester resin, or TerreonRE®, a densified solid surface material composed of a bio-based resin and preconsumer recycled granules. Terreon and TerreonRE are resistant to chemicals, stains, burns and impact. Surface damage can be easily repaired with everyday cleansers or fine grit abrasives. Terreon and TerreonRE are NAHB certified to meet ANSI Z124.3, Z124.6 and ANSI/ICPA SS-1-2001. Terreon and TerreonRE are GREENGUARD® certified as low-emitting materials. Pedestal frame and access panel are constructed of heavy gauge type 304 stainless steel.

### Vandal Resistance

The sprayhead is molded as an integral part of the bowl. All streamformers, escutcheons, push buttons/infrared sensors are secured from inside the sprayhead. All valves, water supplies and waste connections are concealed inside the pedestal. The front access panel is removable only with a hex key. The Terreon and TerreonRE bowls are resistant to stains, burrs and impact. Surface damage is easily repaired and repair work is virtually undetectable.

## Standard Equipment

### Valves and Fittings

In addition to the bowl and pedestal, the following valves and fittings are standard: Navigator® thermostatic mixing valve with stop valves, flexible stainless steel supply hoses, drain spud and lock nut. Stop valves mounted onto nominal copper tubing.

## Activation Controls

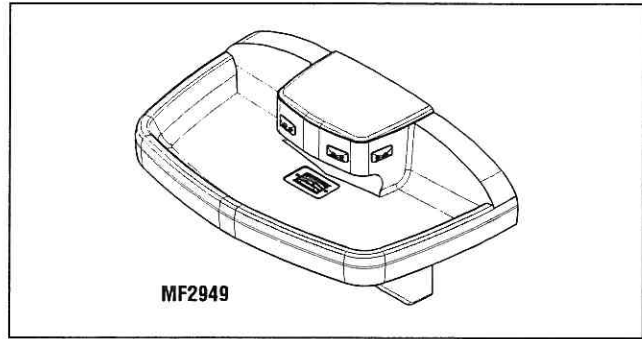
### Air Valve Hand Control

Each push button pneumatically actuates a non-hold-open, air metering, single-temperature valve with field adjustable timing from 0–45 seconds. Factory preset at 10 seconds. Each push button activates a flow of tempered water from the non-sectional sprayhead. Push button requires less than five pounds of pressure.

### Infrared Control

Each of the stream formers is controlled by a separate solenoid valve. Hands placed within the bowl are detected by an infrared sensor which activates a flow of tempered water from one station. Shut-off is automatic after hands are removed from the detection area. The infrared sensor uses a conical-shaped transmitting beam, having a detection area adapted to, but not exceeding, the bowl perimeter. The adaptive infrared sensor automatically adapts to the bowl after power is turned on. The infrared sensor is not affected by varying color tones or darkness. Direct sunlight or bright washroom lights will not activate the system. Infrared models also include solenoid valves and a low-voltage transformer as standard equipment:

- Solenoid – 24V, 50/60 Hz, 5/16" tube fitting. Few moving parts, and resistant to most chemicals, minerals, and impurities often present in municipal water supplies.
- Low-Voltage Transformer – Class II UL/CSA listed, 110/24 VAC plug-in transformer. Plugs into a standard GFCI protected electrical outlet. Location of transformer per local electrical code.



### Battery Infrared Control

Each battery-powered sensor uses a zone-focused infrared transmitting beam, creating a large detection area not exceeding the bowl perimeter. The sensor is not affected by varying skin tones or darkness. When hands enter the detection area, the sensor starts water flow by opening the solenoid valve electronically. When hands leave the detection area, the sensor stops the flow of water by closing the valve. The 6-volt DC electronically activated solenoid valve has few moving parts, providing reliable operation that is unaffected by most chemicals and minerals often present in municipal water supplies. Each station is powered by a single lithium battery. Battery type is Duracell® DL 223A or equivalent (included). Battery type is Duracell® DL 223A 6 volt lithium or equivalent with a life expectancy of 4-5 years or approximately 200,000 cycles.

### TouchTime Hand Control

Each low-voltage button actuates a non-hold-open, slow-closing anti-hammer solenoid valve that is timed from an electronic potted assembly. Each push button activates one valve which, in turn, activates one station. TouchTime controls water flow at each station through the use of solid state, digital circuitry. Timing is electronically controlled at 15 seconds. Push button requires less than five pounds of pressure.

## Code Compliance and Certifications

### ANSI Standards

Terreon and TerreonRE are certified by NAHB to meet ANSI Z124.3, Z124.6 and ANSI/ICPA SS-1-2001.

### cUPC Certified

Terreon Washfountains are Uniform Plumbing Code (UPC), International Plumbing Code (IPC) and National Plumbing Code of Canada (NPC) approved through the International Association of Plumbing and Mechanical Officials (IAPMO). Manufactured in compliance with IGC 156-2009, CSA B45 Series-2002 (R08) & ASME A112.18.1-2005/CSA B125.1-2005.

### Barrier-Free

The Terreon and TerreonRE Wall-Hung Quadra-Founts® are designed to comply with the most current ADA and TAS guidelines on reaches, clearances and operation when mounted at recommended height dimensions by the installer.



Standard product selections contained within this document are third party **CERTIFIED** to NSF/ANSI 372 meeting the Lead-Free content requirement. Any product configured with custom options will be **COMPLIANT** with NSF/ANSI 372 meeting the Lead-Free content requirement.



<b>Standard Selections</b> (Must select one from each category)			
<b>Pedestal Height (select one)</b>			
<input type="checkbox"/> STD/JUV	Standard Height or Juvenile Height		
<input type="checkbox"/> OBC	Ontario Building Code Height		
<b>Valves (select one)</b>			
<input type="checkbox"/> IR	Adaptive Infrared	<input type="checkbox"/> BIR3	Battery Infrared
<input type="checkbox"/> AST	Air Metering	<input checked="" type="checkbox"/> TT	Touchtime® Metering
<b>Soap Dispenser (select one)</b>			
<input type="checkbox"/> LSD	Liquid Soap Dispenser	<input checked="" type="checkbox"/> NSD	No Soap Dispenser
<b>Color of Terreon Bowl (select one)</b>			
<i>Standard Colors</i>			
<input type="checkbox"/> CHAR‡	Charcoal Gray	<input type="checkbox"/> O-TAUPE	Organic Taupe
<input type="checkbox"/> COBBLE	Cobblestone	<input type="checkbox"/> PEBBLE	Pebble Beach
<input type="checkbox"/> DRIFT†	Driftwood	<input type="checkbox"/> PEP-WHT	Peppered White
<input type="checkbox"/> DUNE†	Sand Dune	<input type="checkbox"/> SAND	Sandtrap
<input type="checkbox"/> E-GRAY	Empire Gray	<input type="checkbox"/> S-CREEK	Stone Creek
<input type="checkbox"/> GRAPH‡	Graphite	<input type="checkbox"/> S-MIST	Silver Mist
<input type="checkbox"/> LANNON	Lannonstone	<input type="checkbox"/> WHT-SAND	White Sand
<input type="checkbox"/> LONDON	London Gray		
<input type="checkbox"/> MOONSTONE†	Moonstone		
<i>Designer Colors** (available at an additional charge)</i>			
<input type="checkbox"/> ARC-CHIP	Arctic Chip	<input type="checkbox"/> RIVER	Riverstone
<input type="checkbox"/> COFFEE	Coffee Bean		
<i>TerreonRE Colors** (available at an additional charge)</i>			
<input type="checkbox"/> BIRCH-BARK	Birch Bark	<input type="checkbox"/> MOONDUST	Moondust
<input type="checkbox"/> DUSK	Dusk	<input type="checkbox"/> OAT	Oat
<b>Supply (select one)</b>			
<input type="checkbox"/> TL	Single tempered Line		
<input checked="" type="checkbox"/> TMA	Navigator® Thermostatic Mixing Assembly (Hot & Cold Supplies)		

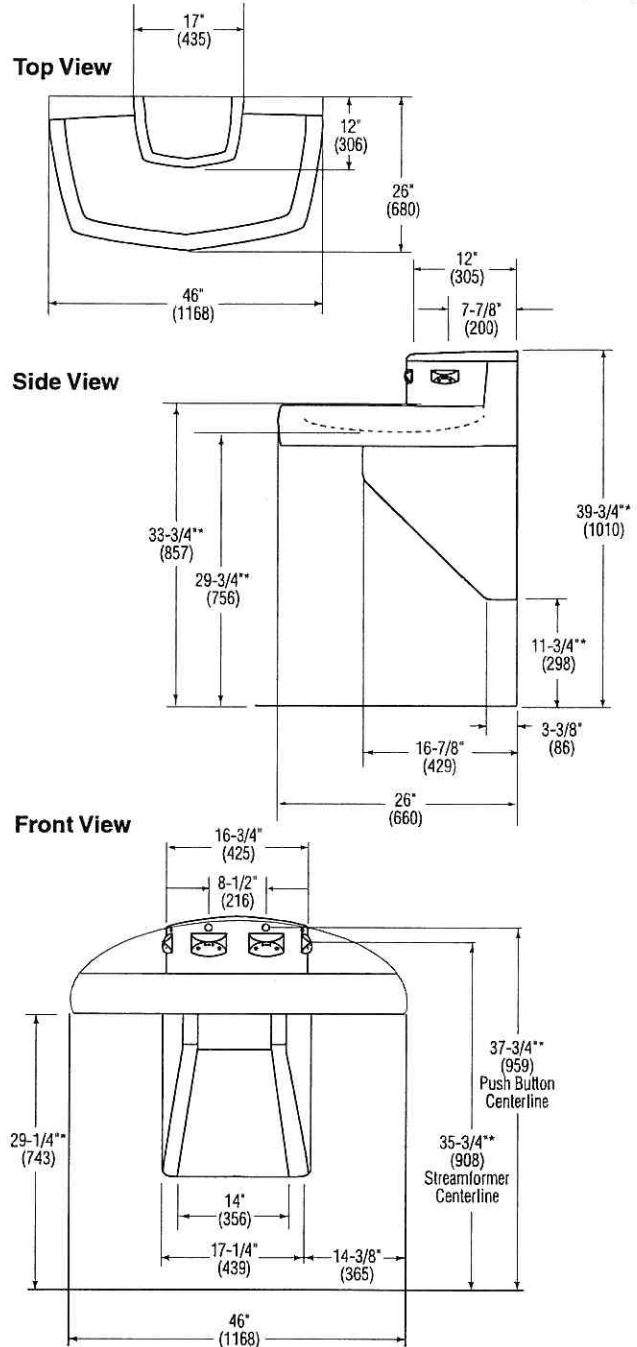
\*\*Non-cancellable, non-returnable.

†This color contains large, randomly distributed chips.

‡ Requires tempered supply (less than 110°F) or optional TMA

## Dimensions

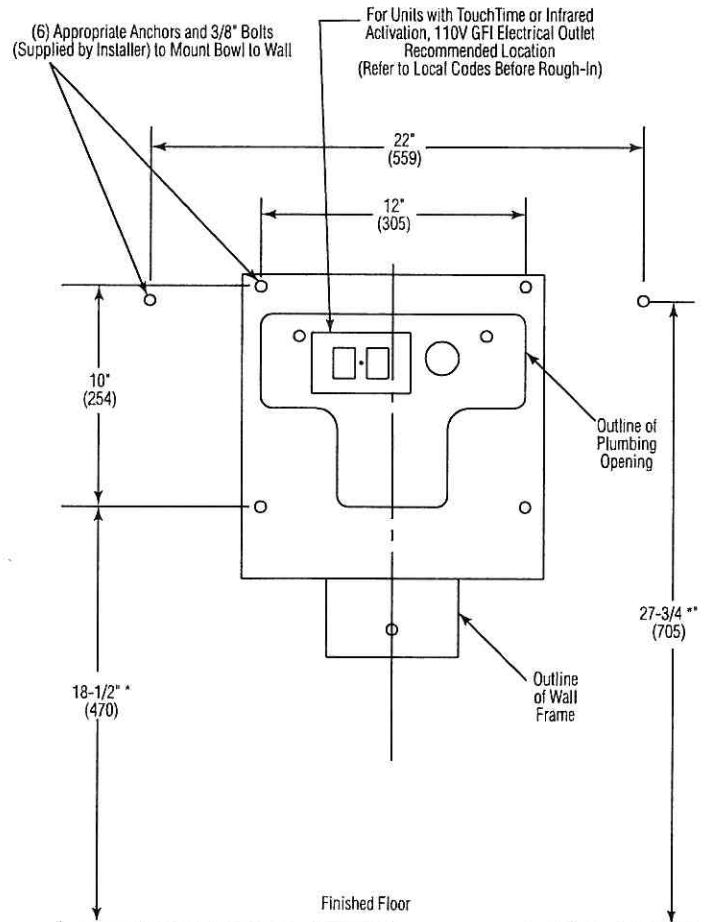
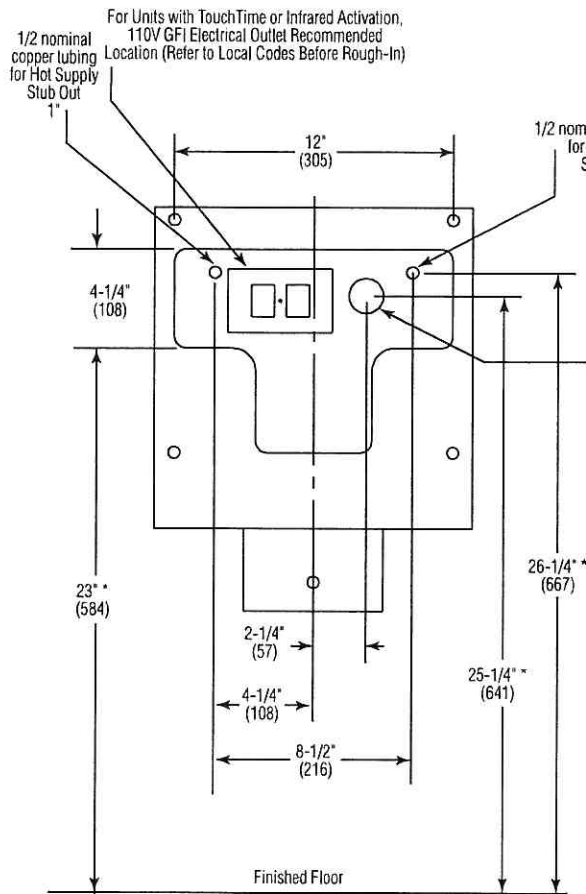
(mm)



\* Subtract 1" from these dimensions for Ontario Building Code height or 4" for Juvenile Height Model.

### Rough-Ins

(mm)



\* Subtract 1" from these dimensions for Ontario Building Code height or 4" for Juvenile Height Model.

# TILE FLOOR CLEANOUT

K

**SMITH® JAY R. SMITH MFG. CO.®**  
 DIVISION OF SMITH INDUSTRIES, INC.  
 POST OFFICE BOX 3237  
 MONTGOMERY, ALABAMA 36109-0237 (USA)  
 TEL: 334-277-8520 FAX: 334-272-7396 www.jrsmith.com

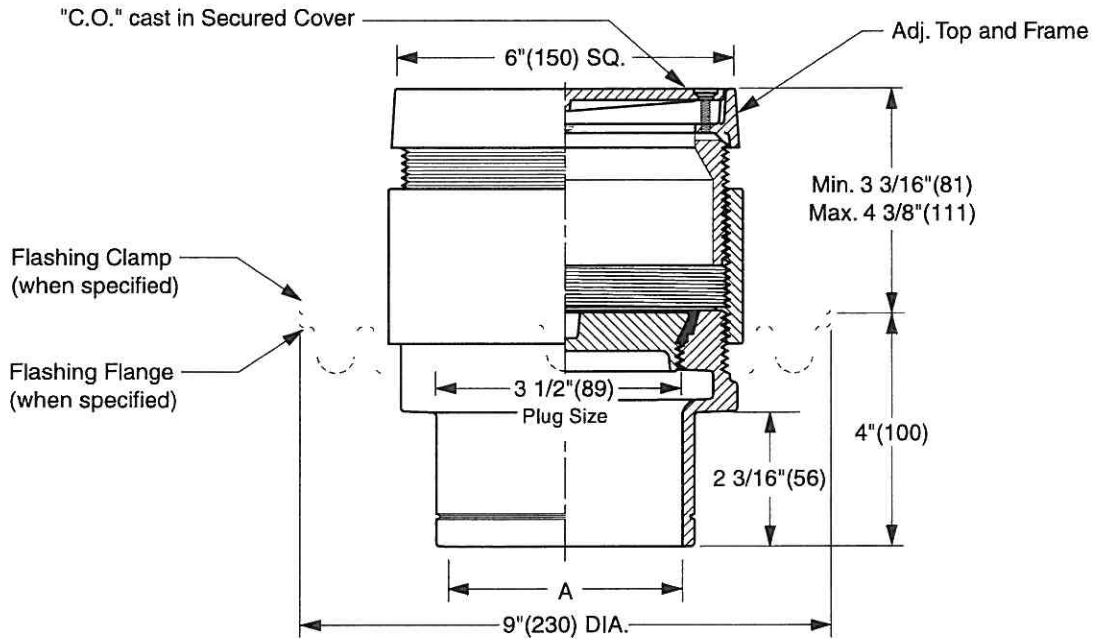


LOCATION

## FINISHED FLOOR CLEANOUTS WITH "TWIS-TO-FLOOR®" ADJUSTABLE TOPS

### SQUARE NICKEL BRONZE TOP

**FUNCTION:** For use in finished floors bearing foot and medium load wheeled traffic. The square top is particularly adaptable to floors that are finished of material in straight line patterns. Allows for easy floor level adjustment.



TWIS-TO-FLOOR® ADJUSTMENT

NO-HUB OUTLET

"A" (Pipe Size) = 02(50), 03(75), 04(100) or 05(125)

- Fig. 4040S.....Gasket Seal - ABS Plug
- Fig. 4041S.....Gasket Seal - Bronze Plug
- Fig. 4043S.....Taper Thread - Bronze Plug
- Fig. 4044S.....Taper Thread - ABS Plug

(Twis-to-Floor® design shown with gasketed plug.)

**REGULARLY FURNISHED:**

Duco Cast Iron Cleanout with Square Adjustable Scoriated Secured Nickel Bronze Top. Closure Plug Type as Indicated By Figure Number Selected.

**VARIATIONS:**

- Flashing Flange -F
- Flange with Flashing Clamp -F-C
- Vandal Proof Top -U

**OPTIONAL MATERIALS:**

- Galvanized Cast Iron -G
- Polished Bronze Top -PB

**NOTE:** Dimensions shown in parentheses are in millimeters.

DRAWING NUMBER  
S4040

SIZE  
A

SCALE:  
NONE

DATE:  
2-16-70

APPROVED BY:  
JM

CHECKED BY:  
BH

DRAWN BY:  
RK

**4040 SERIES**

WE CAN ASSUME NO RESPONSIBILITY FOR USE OF SUPERSEDED OR VOID DATA

DIMENSIONS ARE SUBJECT TO MANUFACTURERS TOLERANCE AND CHANGE WITHOUT NOTICE

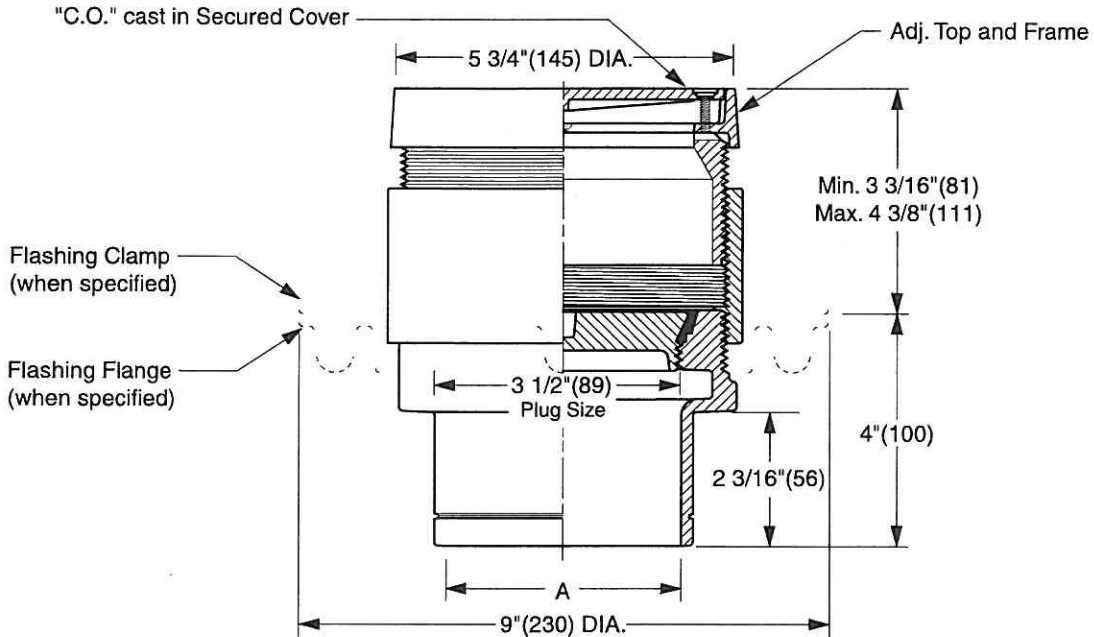
K J H	07/26/02 05/03/01 10/17/00	Corrected Clamp & Flange view Edited Outlet Text New design	JJ JJ JJ	CL CL BS	WEIGHT POUNDS	VOLUME CUBIC FEET	<b>FIGURE NUMBER</b>  <b>4040 SERIES</b>
REV.	DATE	DESCRIPTION	BY	CKD. BY			

# **CARPETED FLOOR CLEANOUT**

# FINISHED FLOOR CLEANOUTS WITH "TWIS-TO-FLOOR®" ADJUSTABLE TOPS

## ROUND NICKEL BRONZE TOP

**FUNCTION:** For use in finished floors bearing foot and medium load wheeled traffic. Allows for easy floor level adjustment.



TWIS-TO-FLOOR® ADJUSTMENT

NO-HUB OUTLET

"A" (Pipe Size) = 02(50), 03(75), 04(100) or 05(125)

**NOTE:** For applications using core drilling, the largest diameter of the cleanout assembly is 6 5/16" (160).

- Fig. 4020S.....Gasket Seal - ABS Plug
- Fig. 4021S.....Gasket Seal - Bronze Plug
- Fig. 4023S.....Taper Thread - Bronze Plug
- Fig. 4024S.....Taper Thread - ABS Plug

(Twis-to-Floor® design shown with gasketed plug.)

**REGULARLY FURNISHED:**  
 Duco Cast Iron Cleanout with Round Adjustable Scoriated Secured Nickel Bronze Top. Closure Plug Type as Indicated By Figure Number Selected.

- VARIATIONS:**
- Flashing Flange -F
  - Flange with Flashing Clamp -F-C
  - Carpet Clamping Type -X
  - Carpet Marker Type -Y
  - Vandal Proof Top -U
  - Wide Flange (DX)

- OPTIONAL MATERIALS:**
- Galvanized Cast Iron -G
  - Polished Bronze Top -PB

**NOTE:** Dimensions shown in parentheses are in millimeters.

DRAWING NUMBER S4020  
 SIZE A  
 SCALE: NONE  
 DATE: 2-16-70  
 APPROVED BY: JM  
 CHECKED BY: BH  
 DRAWN BY: RK  
**4020 SERIES**  
 FIGURE NUMBER

WE CAN ASSUME NO RESPONSIBILITY FOR USE OF SUPERSEDED OR VOID DATA

REV.	DATE	DESCRIPTION	BY	CKD. BY	WEIGHT POUNDS	VOLUME CUBIC FEET	FIGURE NUMBER
N	11-20-09	Revised Variations	RN	BW			<b>4020 SERIES</b>
M	12/18/08	Addition to Variations	JJ	BW			
L	12/17/04	Added Core-Drilling Note	JJ	CL			
K	07/26/02	Corrected Clamp & Flange view	JJ	CL			



# **CONCRETE FLOOR CLEANOUT**

**SMITH® JAY R. SMITH MFG. CO.®**  
 DIVISION OF SMITH INDUSTRIES, INC.  
 POST OFFICE BOX 3237  
 MONTGOMERY, ALABAMA 36109-0237 (USA)  
 TEL: 334-277-8520 FAX: 334-272-7396 www.jrsmith.com

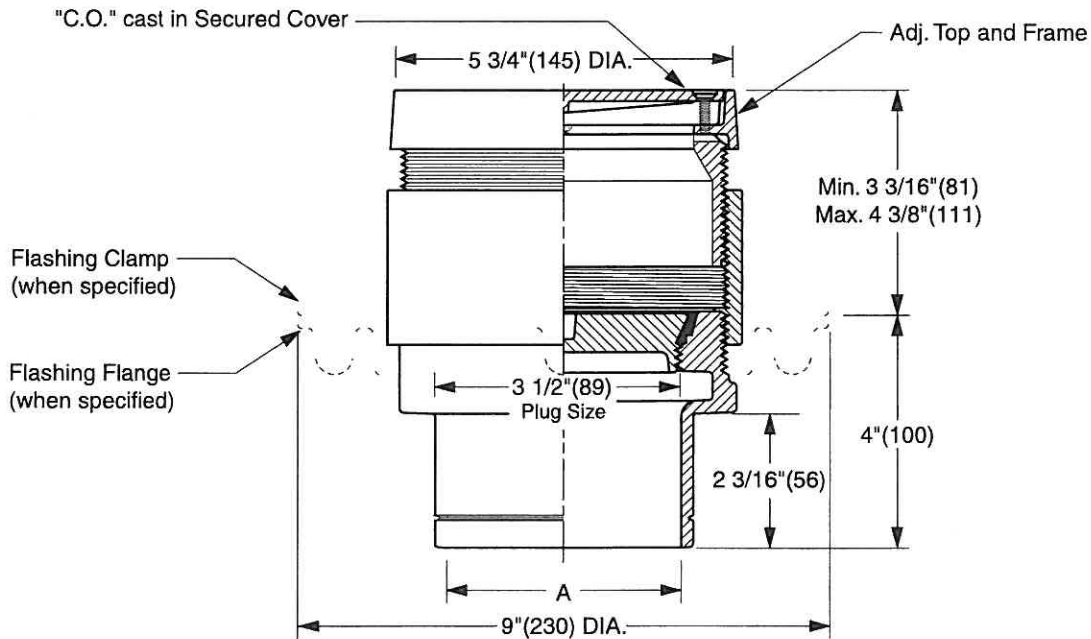


LOCATION

## FINISHED FLOOR CLEANOUTS WITH "TWIS-TO-FLOOR®" ADJUSTABLE TOPS

### ROUND NICKEL BRONZE TOP

**FUNCTION:** For use in finished floors bearing foot and medium load wheeled traffic. Allows for easy floor level adjustment.



TWIS-TO-FLOOR® ADJUSTMENT

NO-HUB OUTLET

"A" (Pipe Size) = 02(50), 03(75), 04(100) or 05(125)

**NOTE:** For applications using core drilling, the largest diameter of the cleanout assembly is 6 5/16"(160).

- Fig. 4020S.....Gasket Seal - ABS Plug
- Fig. 4021S.....Gasket Seal - Bronze Plug
- Fig. 4023S.....Taper Thread - Bronze Plug
- Fig. 4024S.....Taper Thread - ABS Plug

(Twis-to-Floor® design shown with gasketed plug.)

**REGULARLY FURNISHED:**  
 Duco Cast Iron Cleanout with Round Adjustable Scoriated Secured Nickel Bronze Top. Closure Plug Type as Indicated By Figure Number Selected.

- VARIATIONS:**
- Flashing Flange -F
  - Flange with Flashing Clamp -F-C
  - Carpet Clamping Type -X
  - Carpet Marker Type -Y
  - Vandal Proof Top -U
  - Wide Flange (DX)

- OPTIONAL MATERIALS:**
- Galvanized Cast Iron -G
  - Polished Bronze Top -PB

**NOTE:** Dimensions shown in parentheses are in millimeters.

DRAWING NUMBER S4020  
 SIZE A  
 SCALE: NONE  
 DATE: 2-16-70  
 APPROVED BY: JM  
 CHECKED BY: BH  
 DRAWN BY: RK  
**4020 SERIES**  
 FIGURE NUMBER

WE CAN ASSUME NO RESPONSIBILITY FOR USE OF SUPERSEDED OR VOID DATA

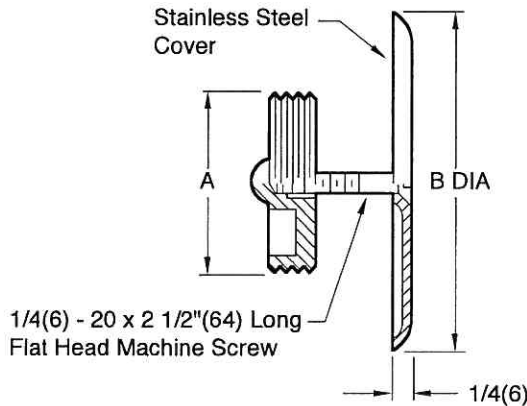
N	11-20-09	Revised Variations	RN	BW	WEIGHT	VOLUME	FIGURE NUMBER
M	12/18/08	Addition to Variations	JJ	BW	POUNDS	CUBIC FEET	<b>4020 SERIES</b>
L	12/17/04	Added Core-Drilling Note	JJ	CL			
K	07/26/02	Corrected Clamp & Flange view	JJ	CL			
REV.	DATE	DESCRIPTION	BY	CKD. BY			

# WALL CLEANOUT

# CLEANOUT PLUGS AND COVERS

## TAPER THREAD PLUG WITH ROUND COVER

**FUNCTION:** Used in Female Pipe Size openings in Drainage piping where a cleanout is required. Countersunk plugs have slot sized to receive 1/2"(13) thick steel bar stock. Face-of-wall cover is desirable on finished walls.



### COUNTERSUNK PLUG

- Fig. 4470T . . . . . LESS COVER AND SCREW
- Fig. 4472T . . . . . WITH COVER AND SCREW

A SIZE	B DIA
0150(40), 02(50), 0250(65)	4 1/4(110)
03(80), 0350(90), 04(100)	5 1/2(140)
05(125)	7(180)
06(150)	9 1/4(235)
08(200), 10(250)	11 1/4(285)

**NOTE:** Dimensions shown in parentheses are in millimeters.

**REGULARLY FURNISHED:**  
 Cast Bronze Taper Thread Plug with Stainless Steel Round Cover and Screw as indicated by Figure Number.

- VARIATIONS:**
- Longer Screw (Specify Length)
  - "T" Handle Plug -TH  
 Plug tapped 1/4"(6) - 20 Thread
  - Vandal Proof Screw -U

- OPTIONAL MATERIALS:**
- Polished Bronze Cover -PB
  - Prime Coated Steel Cover -PC
  - Stainless Steel Plug  
 (See Fig. 9775)

**4470, 4472**

DIMENSIONS ARE SUBJECT TO MANUFACTURERS TOLERANCE AND CHANGE WITHOUT NOTICE

FIGURE NUMBER	10-7-14	Revised Variations Added Millimeters Submittal Update Chg'd Title	TBW	BW	WEIGHT POUNDS	VOLUME CUBIC FEET	FIGURE NUMBER
	1-11-96		EMB	BS			
REV.	DATE	DESCRIPTION	BY	CKD. BY	<b>4470, 4472</b>		
C	7-27-94		EMB	BS			
	6-15-94		BS	BS			

# **WATER HAMMER ARRESTORS**



**Precision Plumbing Products**

*"Specify with Confidence - Install with Pride"*

**LEAD FREE**

**THREADED WATER HAMMER ARRESTORS**

[www.pppinc.net](http://www.pppinc.net)

**ONLY ONE MOVING PART!**

**WATER HAMMER ARRESTORS ARE SPECIFIED FOR COMMERCIAL, INDUSTRIAL AND RESIDENTIAL USES.**

**PPP WATER HAMMER ARRESTORS SPECIFIED FOR MANY INSTALLATIONS!**



A maintenance-free installation is assured when using this type of arrestor...the only moving part is the free-moving piston furnished with "O"ring seals which have been tested for reliability in excess of normal operating ranges.

**SC-500A - SC-2000F**

**FLUID HAMMER IN FLUID TRANSMISSION LINES** – a definition.

Fluid Hammer is a series of hydraulic shock waves generated within the confines of a piping system due to the sudden stopping of fluid flow. This condition is caused by fast closing of positive valves incorporated within the system. The effect of fluid hammer is damaging if allowed to exist for any length of time and will result in broken pipes and damage to other components in the system.

U.S. Patent No. 3,633,627

**40 Years of outstanding performance**



Complies with low lead law.



## SPECIFICATIONS & INSTALLATIONS



**INSTALLATION:** May be installed in new or existing plumbing systems with a standard pipe tee.

**MAINTENANCE:** Maintenance free – the piston is the only moving part.

**TEMPERATURE RANGE:** -40° F to + 212° F (-4.4° C to + 100° C)

**CONSTRUCTION:** Barrel-fabricated of type "L" hard drawn copper.

**Cap:** Copper or free turning brass.

**Piston:** Machined of Composite Material

**Threaded Adapter:** Machined of C69300 Low Lead Brass

**A Seals:** "O"rings: EPDM.

**Seal Lubricant:** Dow-Corning Silicone Compound #111, FDA listed for use in potable water systems.

**Nickel Plated:** For Salt Water Application.

**OPERATING PRESSURE:** Designed to operate on all domestic and commercial systems.

Normal operating pressure 0 to 80 PSIG. Max spike pressure 400 PSIG. System Pressures above 80 PSI consult factory.

### SIZING INFORMATION

For equipment and fixtures not listed below, size in accordance with load values (WSFU) assigned the same.

Extract from: PDI WH201-06

FIXTURE	TYPE OF SUPPLY CONTROL	WEIGHT IN FIXTURE UNITS			
		Public		Private	
		C.W.	H.W.	C.W.	H.W.
Water Closet	Flush Valve	8	-	5	-
Water Closet	Flush Tank	5	-	2.5	-
Pedestal Urinal	Flush Valve	4	-	-	-
Stall or Wall Urinal	Flush Valve	4	-	-	-
Lavatory	Faucet	1 1/2	1 1/2	1	1
Bath tub	Faucet	2	3	1 1/2	1 1/2
Shower Head	Mixing Valve	2	3	1	2
Bathroom Group	Flush Valve Closet	-	-	8	3
Bathroom Group	Flush Tank Closet	-	-	6	3
Separate Shower	Mixing Valve	-	-	1	2
Service Sink	Faucet	3	3	-	-
Laundry Tubs (1-3)	Faucet	-	-	3	3
Comb. Fixture	Faucet	-	-	3	3

### PDI SIZING AND SELECTION TABLE

PIPE SIZE	FIXTURE UNITS	CROSS REF. PDI
1/2"	1-11	A
3/4"	12-32	B
1"	33-60	C
1 1/4"	61-113	D
1 1/2"	114-154	E
2"	155-330	F

Extract from: PDI WH201

**NO ACCESS PANEL REQUIRED  
(CONSULT LOCAL CODES)**

### DIMENSIONAL AND AIR LOADING DATA

PART NUMBER	A O.A.L.	B N.P.T.	NITROGEN PRELOAD PSI
SC-500A	6 1/4"	1/2" brass	60
SC-750B	7 1/4"	3/4" brass	60
SC-1000C	9 1/4"	1" brass	60
SC-1250D	9 1/2"	1" brass	60
SC-1500E	11 1/4"	1" brass	60
SC-2000F	12"	1" brass	60

### PROJECT SUBMITTAL

Project: \_\_\_\_\_

Contractor: \_\_\_\_\_

Engineer: \_\_\_\_\_

Date Submitted: \_\_\_\_\_

Prepared By: \_\_\_\_\_

### Precision Plumbing Products

Division of JL Industries, Inc.



JL Industries, Inc.

802 SE 199th Avenue  
Portland, Oregon 97233

T (503) 256-4010  
F (503) 253-8165

www.pppinc.net



Complies with low lead law.