

EXISTING EASEMENT AREA
PRESERVED AS A
"COMMON GARDEN"
PER DOCUMENT NO.
2010-077118
TOTAL EASEMENT AREA: 2,880 SF

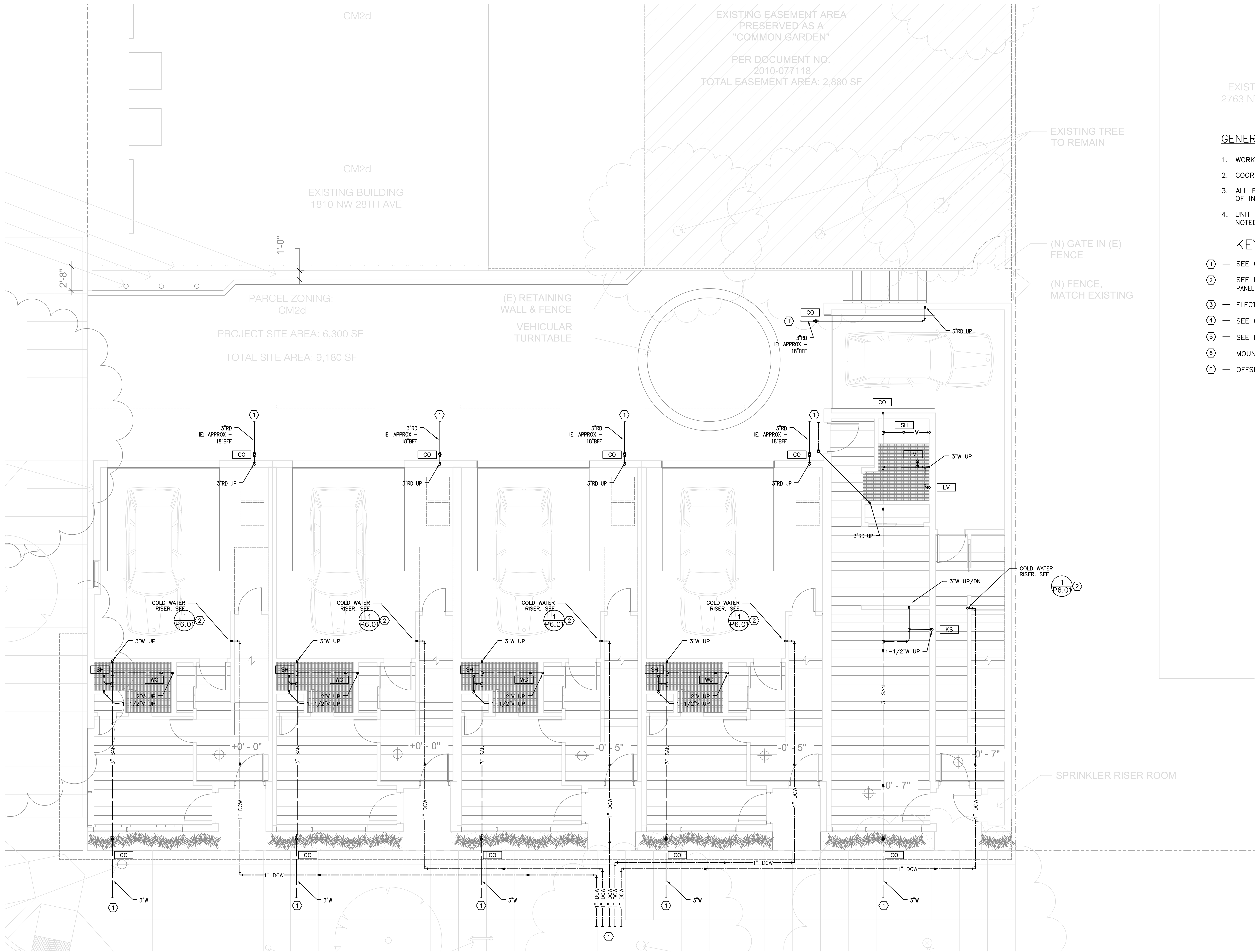
EXIST
2763 N

GENERAL NOTES

1. WORK SHALL COMPLY WITH CURRENT OREGON SPECIALTY COD
2. COORDINATE INSTALLATION WITH OTHER TRADES
3. ALL PIPING IN EXTERIOR WALLS TO BE INSTALLED ON WARM SIDE OF INSULATION.
4. UNIT HOT/COLD WATER PIPING TO FIXTURES IS 1/2" PEX UNLESS NOTED OTHERWISE.

KEYED NOTES:

- ① — SEE CIVIL FOR CONTINUATION
- ② — SEE DOMESTIC SUPPLY RISER DIAGRAM 1/P2.04. PROVIDE ACCURATE PANEL W/ UNIT SHUT-OFFS, TO BE LOCATED IN CLOSET OR BATHROOM WALL
- ③ — ELECTRIC WATER HEATER. SEE DETAIL 2/P2.04.
- ④ — SEE OVERFLOW NOZZLE DETAIL 4/P6.01.
- ⑤ — SEE ISLAND SINK DETAIL 3/P2.04.
- ⑥ — MOUNT HOSE BIBB AT APPROX 18" ABOVE FINISHED FLOOR LEVEL
- ⑦ — OFFSET PIPING IN JOIST SPACE AS REQUIRED.



skylab

ARCHITECTURE INTERIOR DESIGN 413 SW 13TH AVE, STE 200 PORTLAND, OR 97205

SKYLABARCHITECTURE.COM OFFICE 503 525 9315

© 2020 Skylab Architecture. This document is an instrument of service and the property of the Architect and may not be duplicated, displayed, or reproduced without the written consent of Skylab Architecture.

28 THURMAN
RESIDENTIAL

ADDRESS
2771 NW Thurman Street
Portland, OR 97210

PROJECT #
18051

DATE
December 17, 2021

ISSUANCE
PERMIT SET

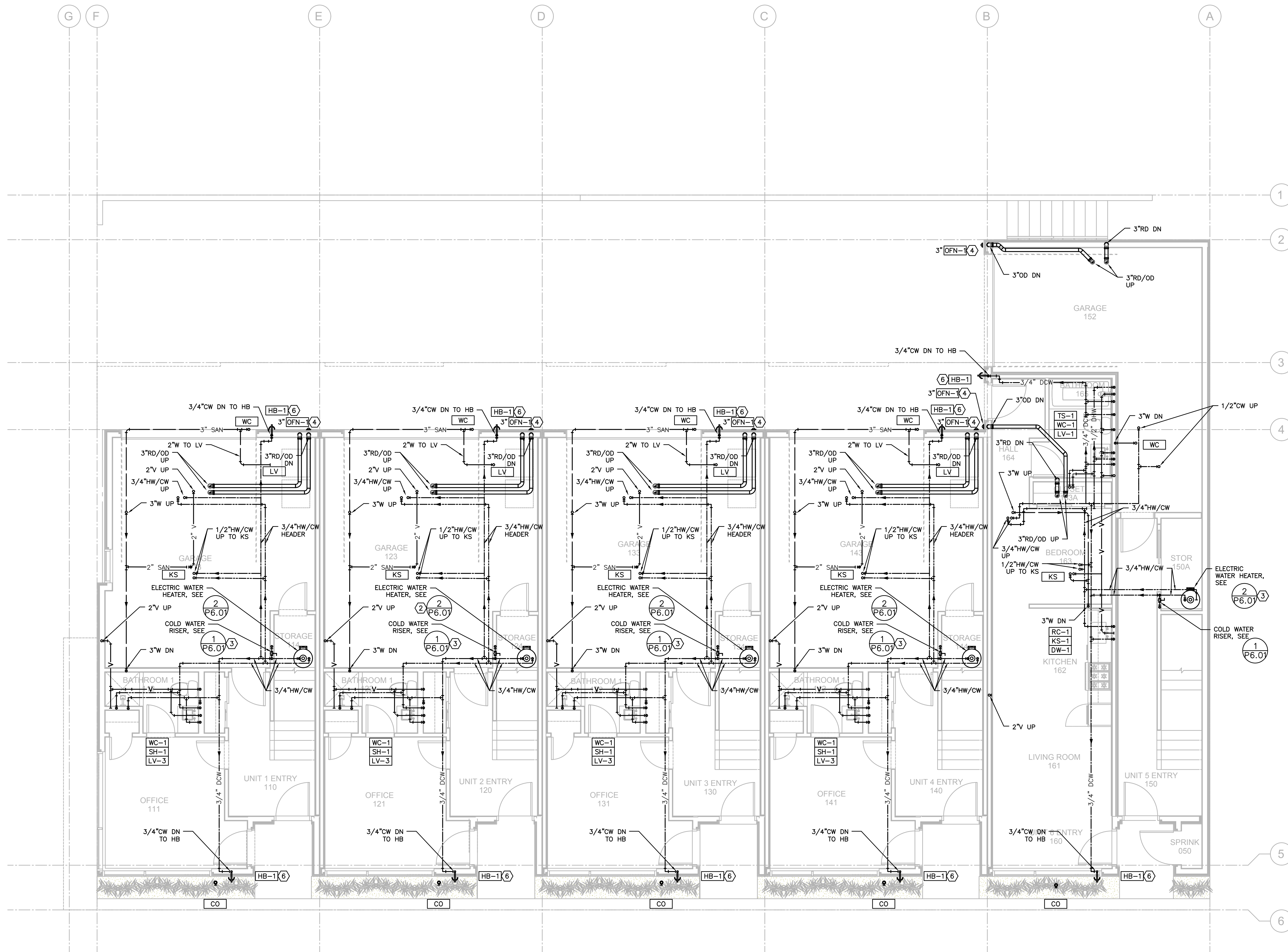
REVISIONS



MFA INC. Consulting Engineers
2007 S.E. Ash St.
Portland, OR 97214
PHN: (503) 234-0548
FAX: (503) 234-0677
WWW.MFA-ENG.COM
CONTACT: MARK DEITER

SHEET
PLUMBING SITE PLAN

P1.00



GENERAL NOTES

1. WORK SHALL COMPLY WITH CURRENT OREGON SPECIALTY COD
2. COORDINATE INSTALLATION WITH OTHER TRADES
3. ALL PIPING IN EXTERIOR WALLS TO BE INSTALLED ON WARM SIDE OF INSULATION.
4. UNIT HOT/COLD WATER PIPING TO FIXTURES IS 1/2" PEX UNLESS NOTED OTHERWISE.

KEYED NOTES:

- ① — SEE CIVIL FOR CONTINUATION
- ② — SEE DOMESTIC SUPPLY RISER DIAGRAM 1/P2.04. PROVIDE ACCURATE PANEL W/ UNIT SHUT-OFFS, TO BE LOCATED IN CLOSET OR BATHROOM WALL
- ③ — ELECTRIC WATER HEATER. SEE DETAIL 2/P2.04.
- ④ — SEE OVERFLOW NOZZLE DETAIL 4/P6.01.
- ⑤ — SEE ISLAND SINK DETAIL 3/P2.04.
- ⑥ — MOUNT HOSE BIBB AT APPROX 18" ABOVE FINISHED FLOOR LEVEL
- ⑦ — OFFSET PIPING IN JOIST SPACE AS REQUIRED.

1 LEVEL 1 PLUMBING PLAN
 P1.01 SCALE: 1/4" = 1'-0"



ARCHITECTURE INTERIOR DESIGN 413 SW 13TH AVE, STE 200 PORTLAND, OR 97205
 SKYLABARCHITECTURE.COM OFFICE 503 525 9315
© 2020 Skylab Architecture. This document is an instrument of service and the property of the Architect and may not be duplicated, displayed, or reproduced without the written consent of Skylab Architecture.

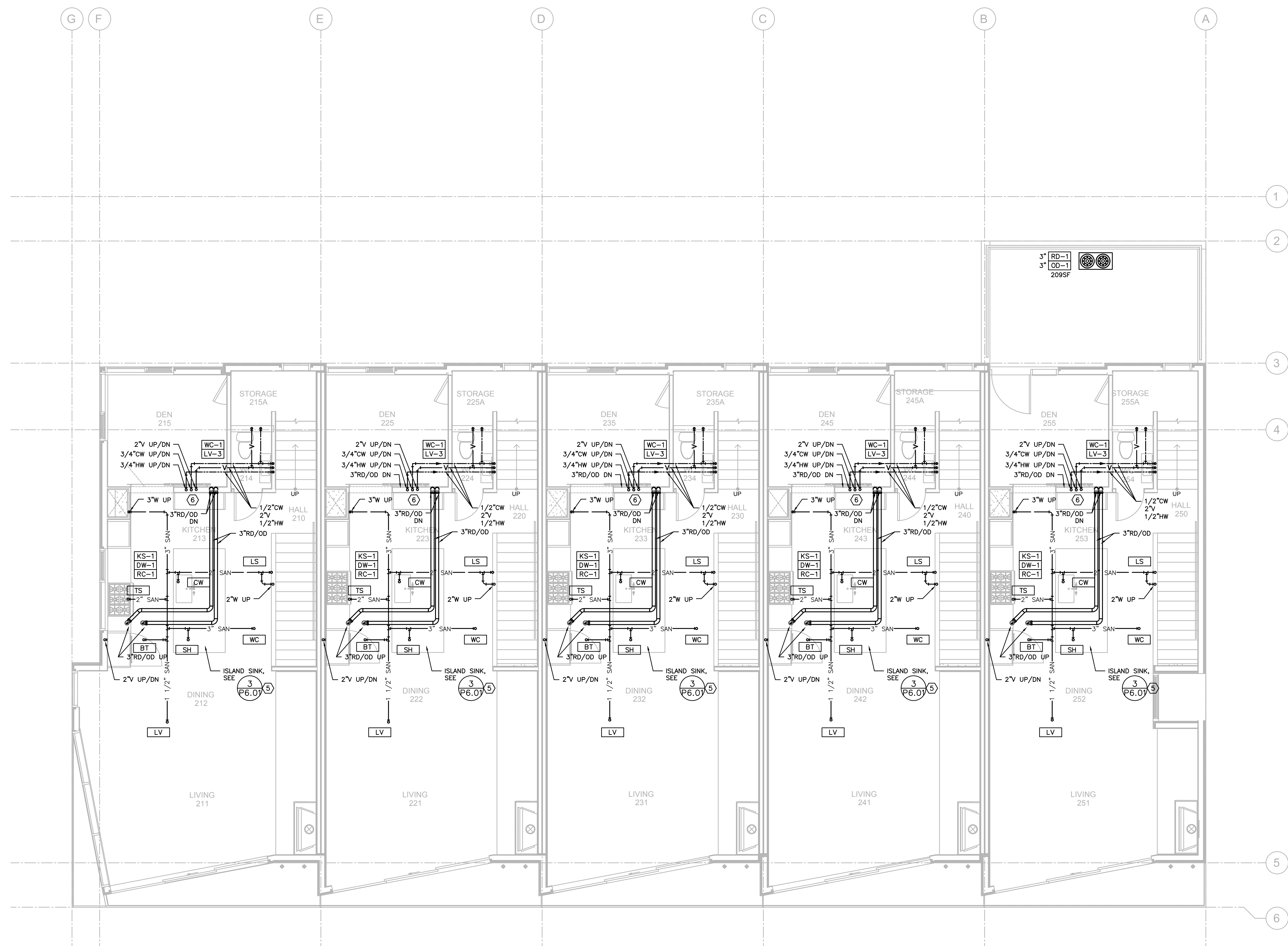
28 THURMAN
 RESIDENTIAL
ADDRESS
 2771 NW Thurman Street
 Portland, OR 97210
PROJECT #
 18051
DATE
 December 17, 2021
ISSUANCE
 PERMIT SET
REVISIONS



MEDIA INC. Consulting Engineers
 2007 S.E. Ash St.
 Portland, OR 97214
 PHN: (503) 234-0548
 FAX: (503) 234-0677
 WWW.MEDIA-ENG.COM
 CONTACT: MARK CENTER

SHEET
 LEVEL 1 PLUMBING PLAN

P1.01



GENERAL NOTES

1. WORK SHALL COMPLY WITH CURRENT OREGON SPECIALTY CODE
2. COORDINATE INSTALLATION WITH OTHER TRADES
3. ALL PIPING IN EXTERIOR WALLS TO BE INSTALLED ON WARM SIDE OF INSULATION.
4. UNIT HOT/COLD WATER PIPING TO FIXTURES IS 1/2" PEX UNLESS NOTED OTHERWISE.

KEYED NOTES:

- ① — SEE CIVIL FOR CONTINUATION
- ② — SEE DOMESTIC SUPPLY RISER DIAGRAM 1/P2.04. PROVIDE ACCURATE PANEL W/ UNIT SHUT-OFFS, TO BE LOCATED IN CLOSET OR BATHROOM WALL
- ③ — ELECTRIC WATER HEATER. SEE DETAIL 2/P2.04.
- ④ — SEE OVERFLOW NOZZLE DETAIL 4/P6.01.
- ⑤ — SEE ISLAND SINK DETAIL 3/P2.04.
- ⑥ — MOUNT HOSE BIBB AT APPROX 18" ABOVE FINISHED FLOOR LEVEL
- ⑦ — OFFSET PIPING IN JOIST SPACE AS REQUIRED.

1 LEVEL 2 PLUMBING PLAN
 P1.02 SCALE: 1/4" = 1'-0"



ARCHITECTURE INTERIOR DESIGN 413 SW 13TH AVE, STE 200 PORTLAND, OR 97205
 SKYLABARCHITECTURE.COM OFFICE 503 525 9315
© 2020 Skylab Architecture. This document is an instrument of service and the property of the Architect and may not be duplicated, displayed, or reproduced without the written consent of Skylab Architecture.

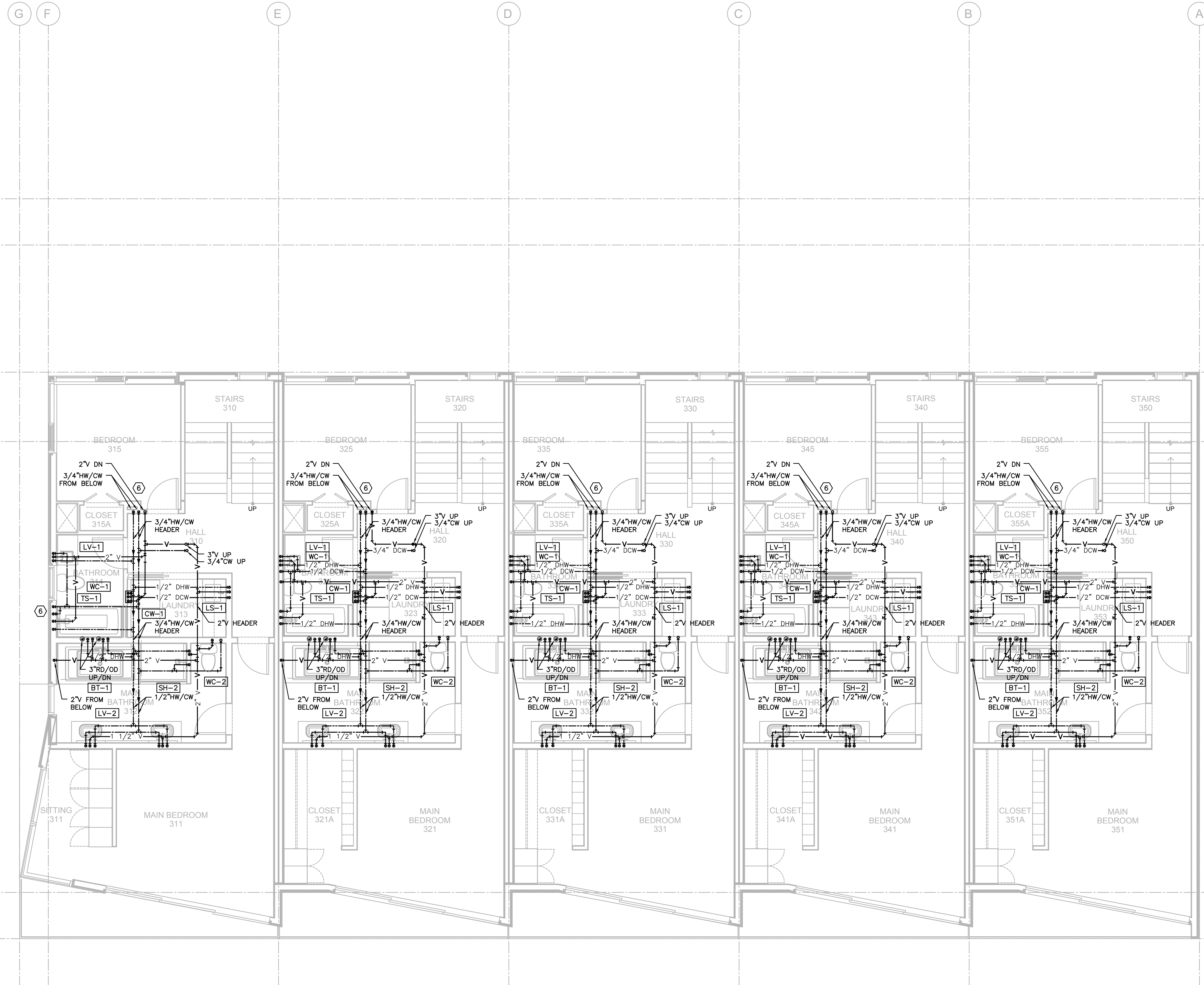
28 THURMAN
 RESIDENTIAL
 ADDRESS 2771 NW Thurman Street Portland, OR 97210
 PROJECT # 18051
 DATE December 17, 2021
 ISSUANCE PERMIT SET
 REVISIONS



MFA INC. Consulting Engineers
 2007 S.E. Ash St. Portland, OR 97214
 PHN: (503) 234-0548 FAX: (503) 234-0677
 WWW.MFA-ENG.COM CONTACT: MARK DEITER

SHEET LEVEL 2 PLUMBING PLAN

P1.02



GENERAL NOTES

1. WORK SHALL COMPLY WITH CURRENT OREGON SPECIALTY COD
2. COORDINATE INSTALLATION WITH OTHER TRADES
3. ALL PIPING IN EXTERIOR WALLS TO BE INSTALLED ON WARM SIDE OF INSULATION.
4. UNIT HOT/COLD WATER PIPING TO FIXTURES IS 1/2" PEX UNLESS NOTED OTHERWISE.

KEYED NOTES:

- ① — SEE CIVIL FOR CONTINUATION
- ② — SEE DOMESTIC SUPPLY RISER DIAGRAM 1/P2.04. PROVIDE ACC PANEL W/ UNIT SHUT-OFFS, TO BE LOCATED IN CLOSET OR BATHROOM WALL
- ③ — ELECTRIC WATER HEATER. SEE DETAIL 2/P2.04.
- ④ — SEE OVERFLOW NOZZLE DETAIL 4/P6.01.
- ⑤ — SEE ISLAND SINK DETAIL 3/P2.04.
- ⑥ — MOUNT HOSE BIBB AT APPROX 18" ABOVE FINISHED FLOOR LEVEL
- ⑦ — OFFSET PIPING IN JOIST SPACE AS REQUIRED.

1 LEVEL 3 PLUMBING PLAN
 P1.03 SCALE: 1/4" = 1'-0"



ARCHITECTURE INTERIOR DESIGN 413 SW 13TH AVE, STE 200 PORTLAND, OR 97205
 SKYLABARCHITECTURE.COM OFFICE 503 525 9315
© 2020 Skylab Architecture. This document is an instrument of service and the property of the Architect and may not be duplicated, displayed, or reproduced without the written consent of Skylab Architecture.

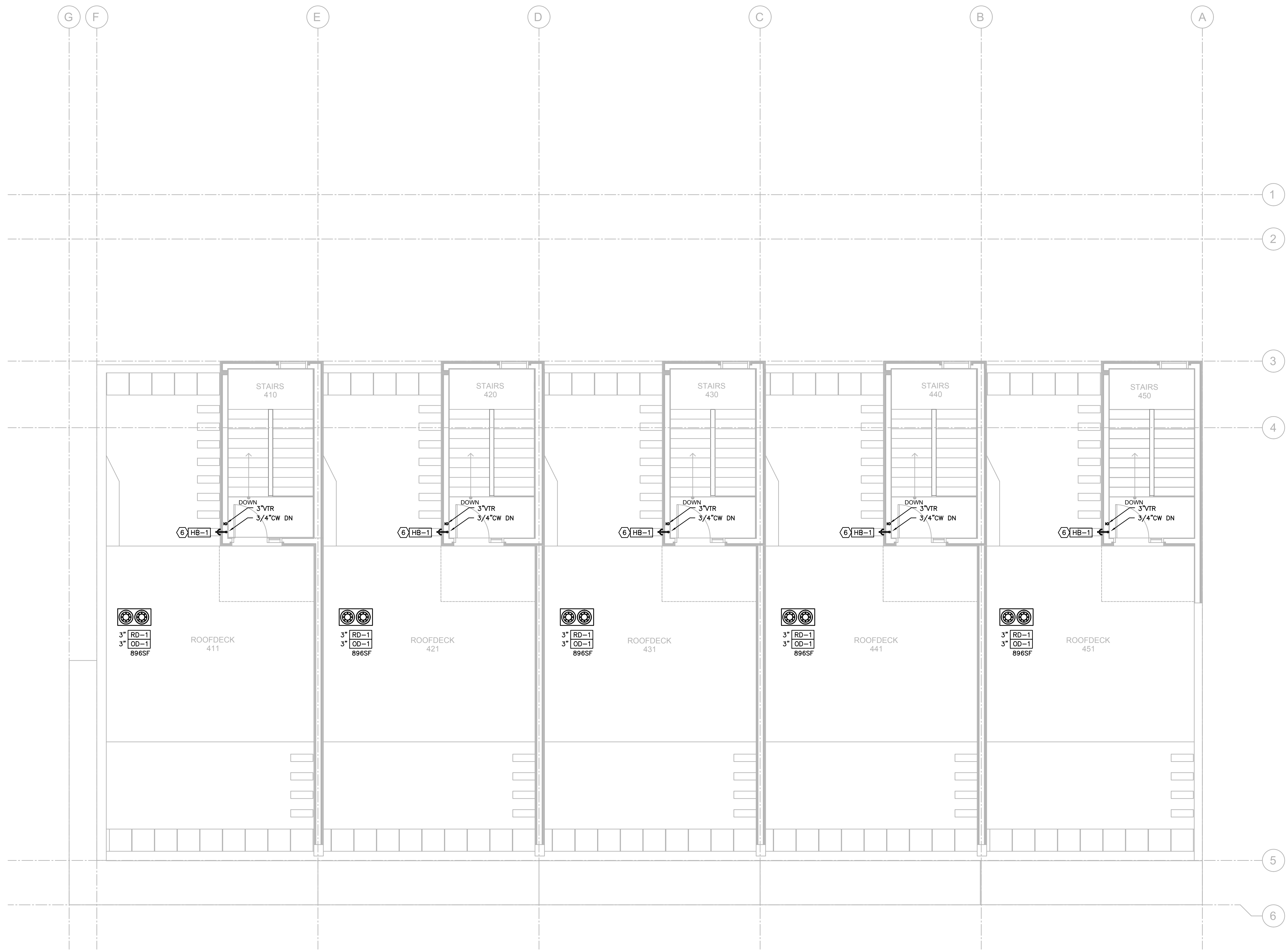
28 THURMAN
 RESIDENTIAL
 ADDRESS 2771 NW Thurman Street Portland, OR 97210
 PROJECT # 18051
 DATE December 17, 2021
 ISSUANCE PERMIT SET
 REVISIONS



MEDIA INC. Consulting Engineers
 2007 S.E. Ash St. Portland, OR 97214
 PHN: (503) 234-0548 FAX: (503) 234-0677
 WWW.MEDIA-ENG.COM CONTACT: MARK CENTER

SHEET LEVEL 3 PLUMBING PLAN

P1.03



GENERAL NOTES

1. WORK SHALL COMPLY WITH CURRENT OREGON SPECIALTY COD
2. COORDINATE INSTALLATION WITH OTHER TRADES
3. ALL PIPING IN EXTERIOR WALLS TO BE INSTALLED ON WARM SIDE OF INSULATION.
4. UNIT HOT/COLD WATER PIPING TO FIXTURES IS 1/2" PEX UNLESS NOTED OTHERWISE.

KEYED NOTES:

- ① — SEE CIVIL FOR CONTINUATION
- ② — SEE DOMESTIC SUPPLY RISER DIAGRAM 1/P2.04. PROVIDE ACCURATE PANEL W/ UNIT SHUT-OFFS, TO BE LOCATED IN CLOSET OR BATHROOM WALL
- ③ — ELECTRIC WATER HEATER. SEE DETAIL 2/P2.04.
- ④ — SEE OVERFLOW NOZZLE DETAIL 4/P6.01.
- ⑤ — SEE ISLAND SINK DETAIL 3/P2.04.
- ⑥ — MOUNT HOSE BIBB AT APPROX 18" ABOVE FINISHED FLOOR LEVEL
- ⑦ — OFFSET PIPING IN JOIST SPACE AS REQUIRED.

1 LEVEL 4 PLUMBING PLAN
 SCALE: 1/4" = 1'-0"



ARCHITECTURE INTERIOR DESIGN 413 SW 13TH AVE, STE 200 PORTLAND, OR 97205

SKYLABARCHITECTURE.COM OFFICE 503 525 9315

© 2020 Skylab Architecture. This document is an instrument of service and the property of the Architect and may not be duplicated, displayed, or reproduced without the written consent of Skylab Architecture.

28 THURMAN
RESIDENTIAL

ADDRESS
2771 NW Thurman Street
Portland, OR 97210

PROJECT #
18051

DATE
December 17, 2021

ISSUANCE
PERMIT SET

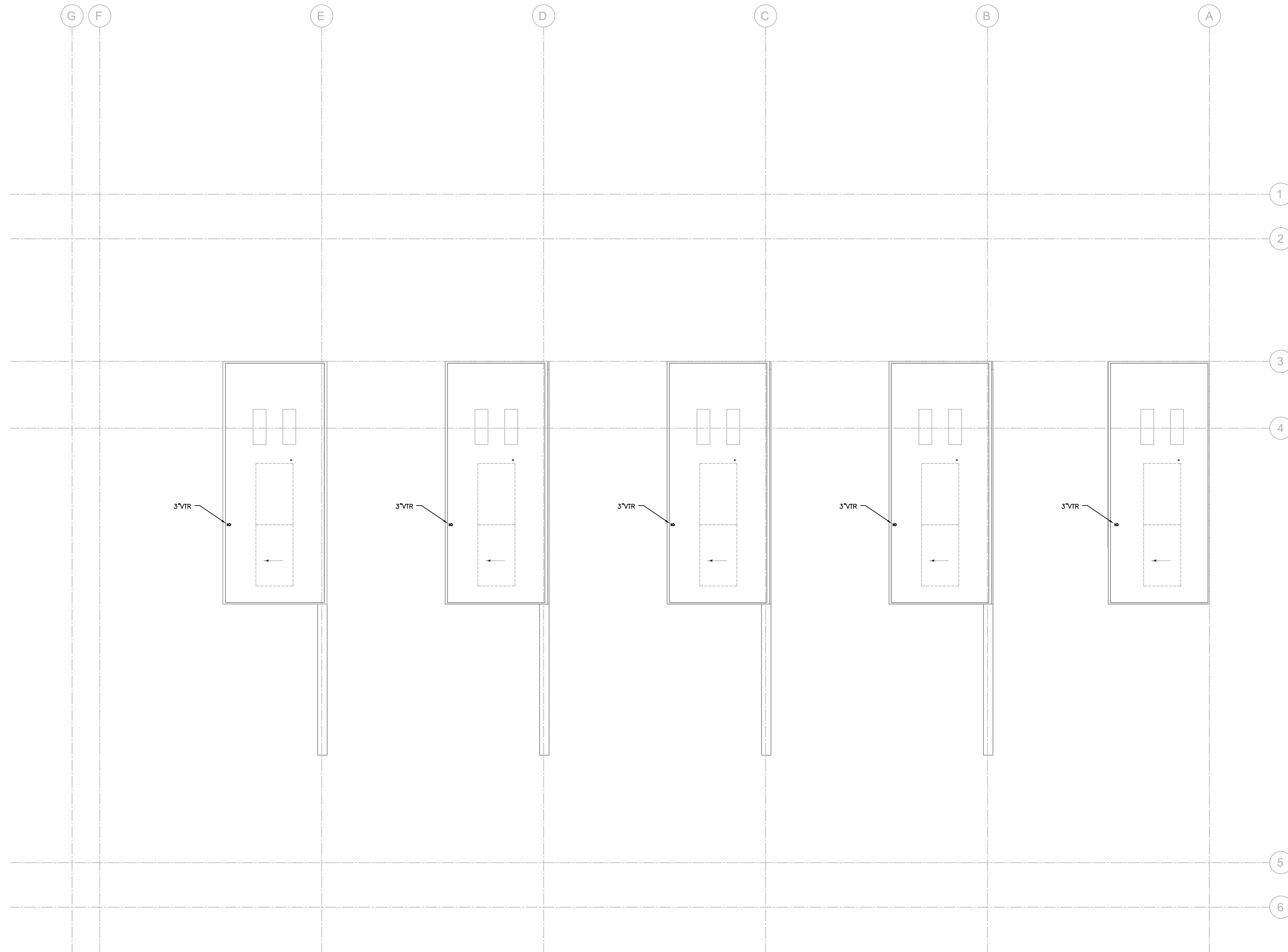
REVISIONS



MEDIA INC.
 Consulting Engineers
 2007 S.E. Ash St.
 Portland, OR 97214
 PHN: (503) 234-0548
 FAX: (503) 234-0677
 WWW.MEDIA-ENG.COM
 CONTACT: MARK CENTER

SHEET
LEVEL 4 PLUMBING PLAN

P1.04



GENERAL NOTES

1. WORK SHALL COMPLY WITH CURRENT OREGON SPECIALTY CODE
2. COORDINATE INSTALLATION WITH OTHER TRADES
3. ALL PIPING IN EXTERIOR WALLS TO BE INSTALLED ON WARM SIDE OF INSULATION.
4. UNIT HOT/COLD WATER PIPING TO FIXTURES IS 1/2" PEX UNLESS NOTED OTHERWISE.

KEYED NOTES:

- ① — SEE CIVIL FOR CONTINUATION
- ② — SEE DOMESTIC SUPPLY RISER DIAGRAM 1/P2.04. PROVIDE ACCURATE PANEL W/ UNIT SHUT-OFFS, TO BE LOCATED IN CLOSET OR BATHROOM WALL
- ③ — ELECTRIC WATER HEATER. SEE DETAIL 2/P2.04.
- ④ — SEE OVERFLOW NOZZLE DETAIL 4/P6.01.
- ⑤ — SEE ISLAND SINK DETAIL 3/P2.04.
- ⑥ — MOUNT HOSE BIBB AT APPROX 18" ABOVE FINISHED FLOOR LEVEL
- ⑦ — OFFSET PIPING IN JOIST SPACE AS REQUIRED.

1 ROOF PLUMBING PLAN
 P1.05 SCALE: 1/4" = 1'-0"



ARCHITECTURE INTERIOR DESIGN 413 SW 13TH AVE, STE 200 PORTLAND, OR 97205

SKYLABARCHITECTURE.COM OFFICE 503 525 9315

© 2020 Skylab Architecture. This document is an instrument of service and the property of the Architect and may not be duplicated, displayed, or reproduced without the written consent of Skylab Architecture.

28 THURMAN
RESIDENTIAL

ADDRESS
2771 NW Thurman Street
Portland, OR 97210

PROJECT #
18051

DATE
December 17, 2021

ISSUANCE
PERMIT SET

REVISIONS

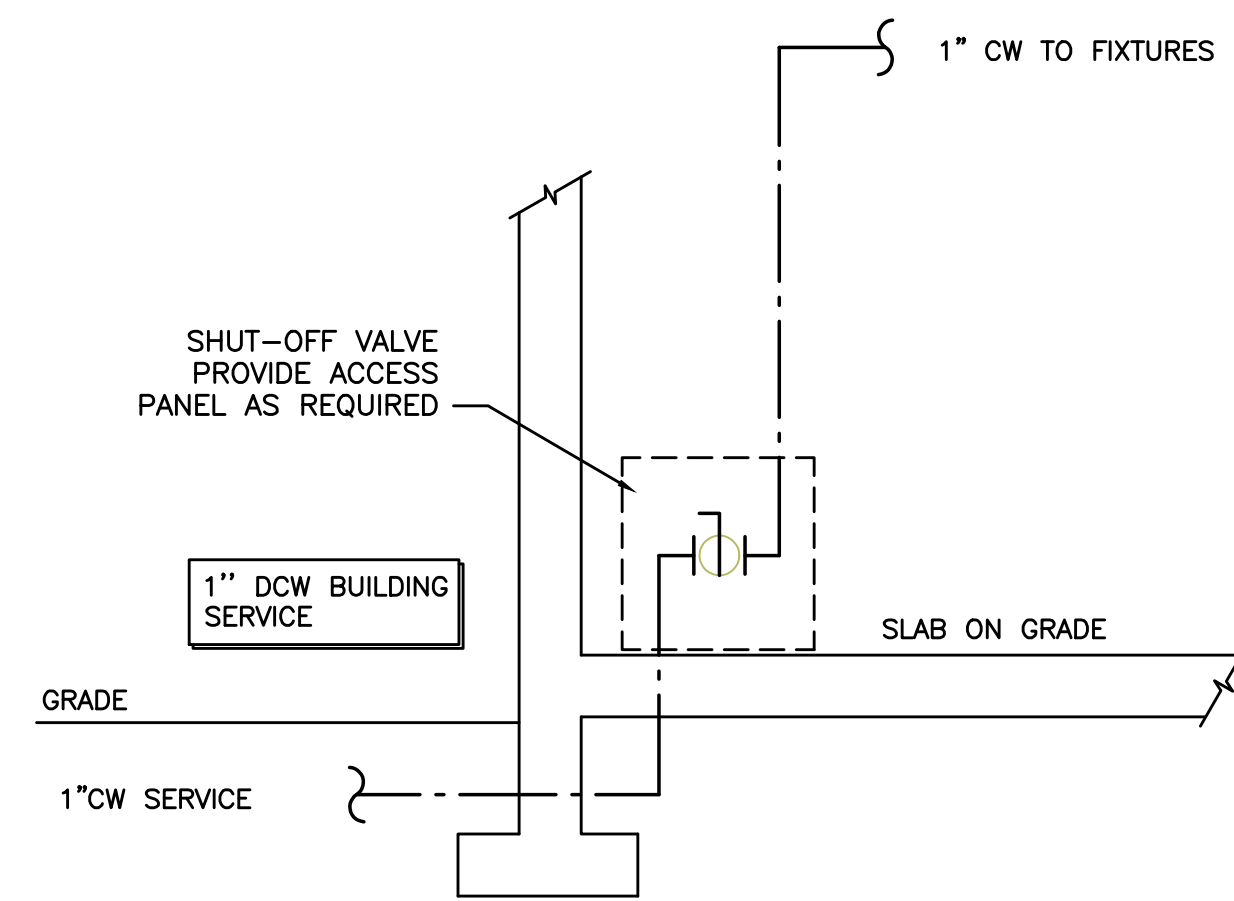
1-11-22



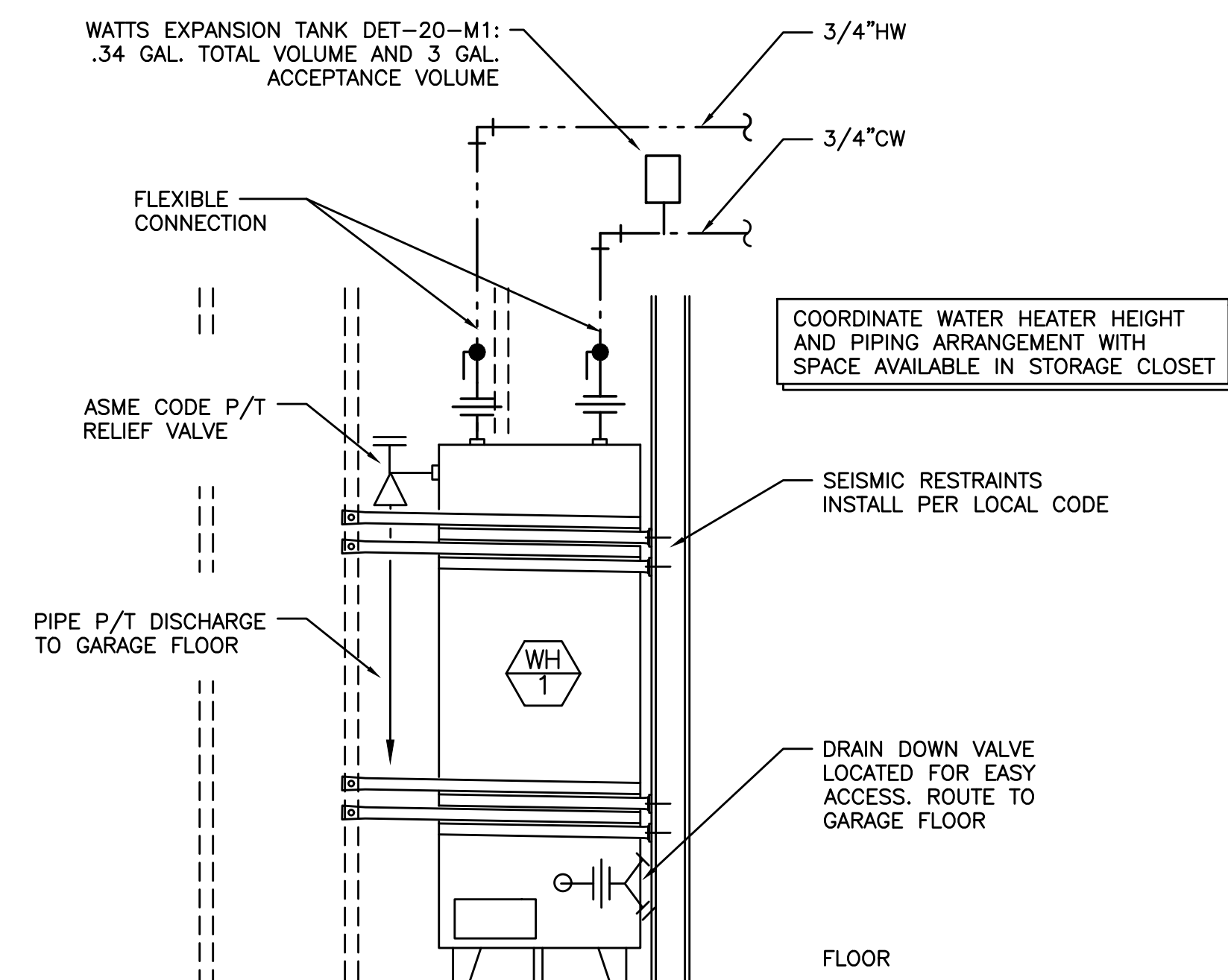
MFI Consulting Engineers
 2007 S.E. Ash St.
 Portland, OR 97214
 PHN: (503) 234-0548
 FAX: (503) 234-0677
 WWW.MFI-ENG.COM
 CONTACT: MARK DENYER

SHEET
ROOF PLUMBING PLAN

P1.05

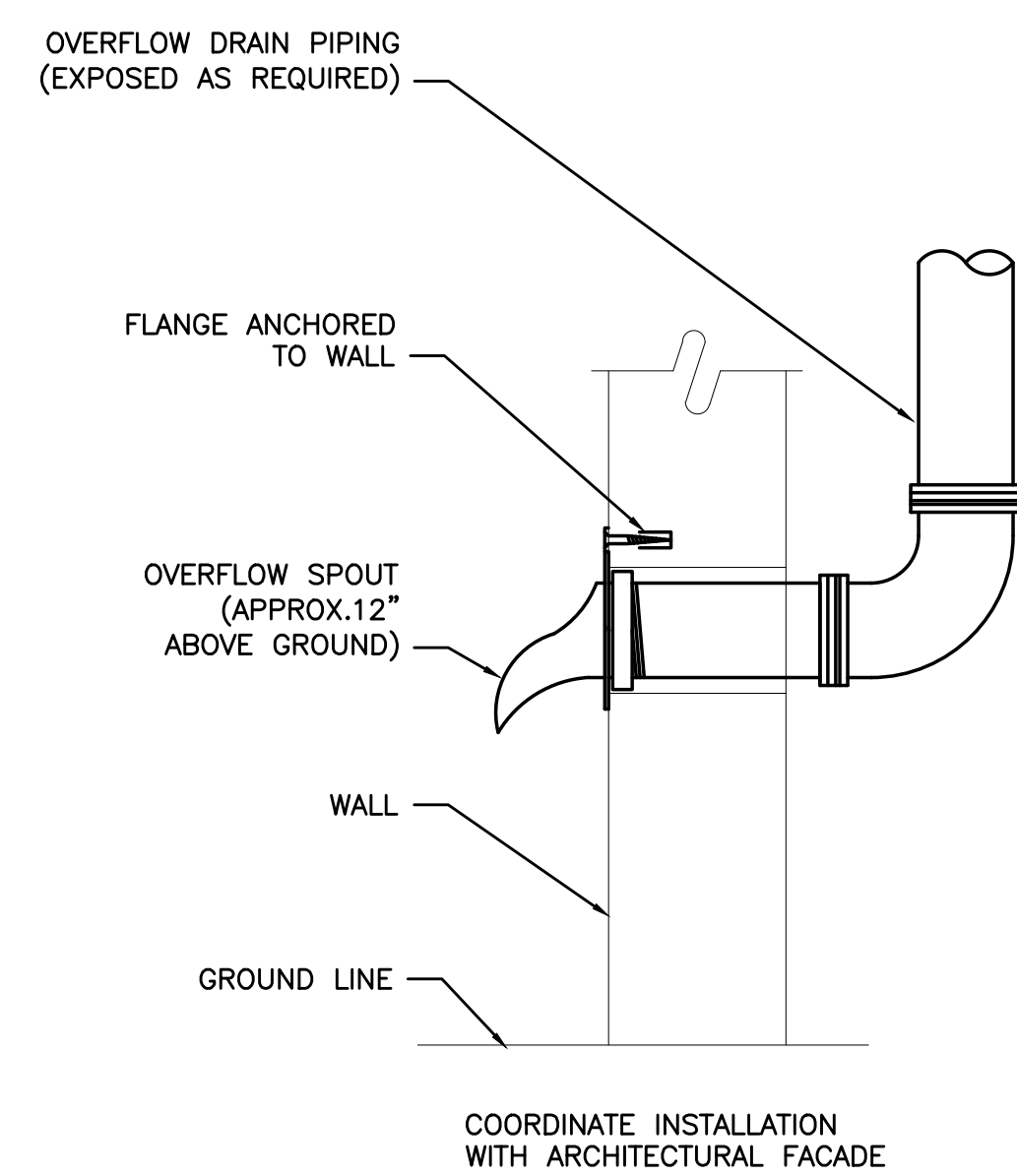


1 DOMESTIC WATER RISER
 P6.01 SCALE: DETAIL

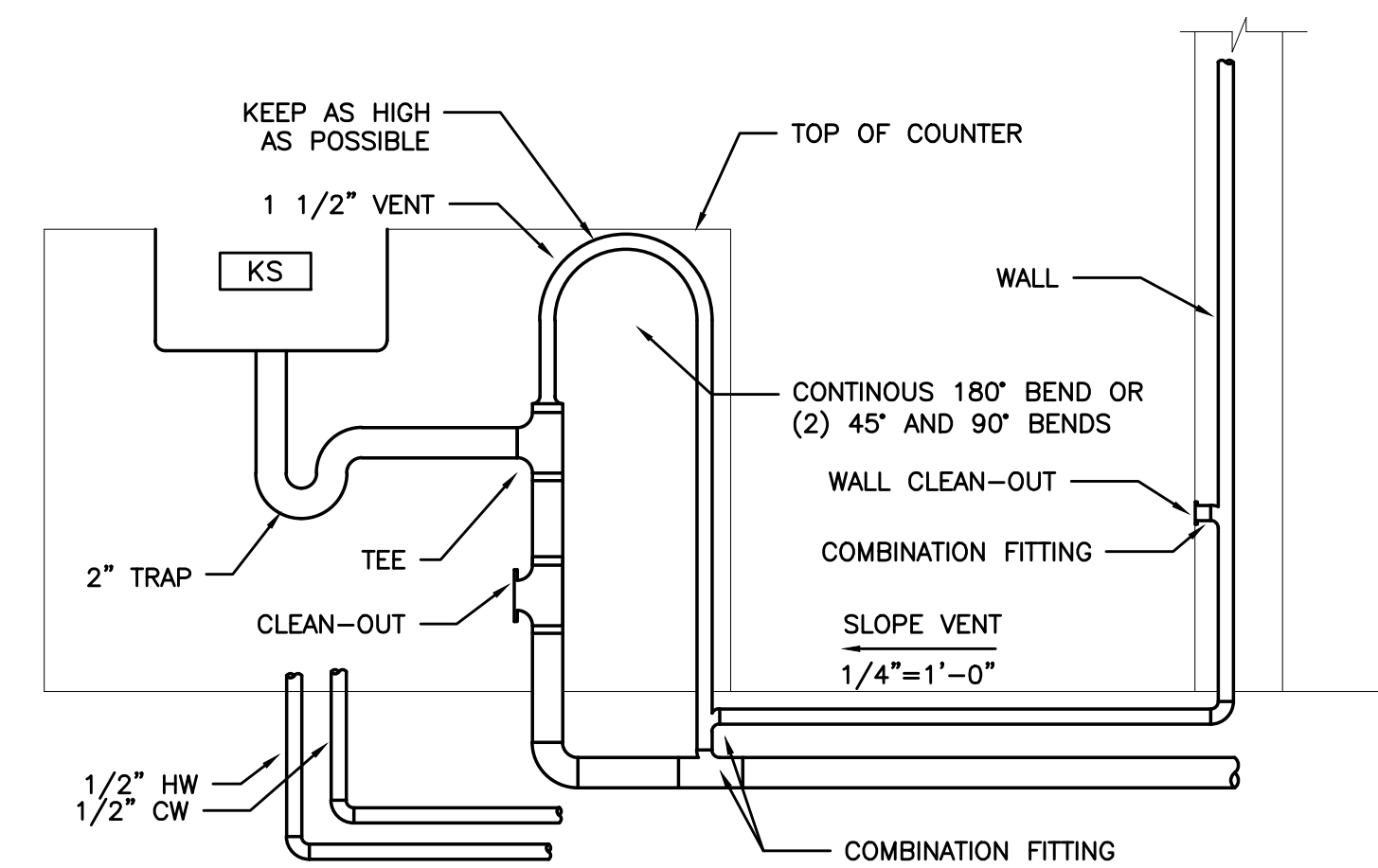


COORDINATE ELECTRICAL CONNECTION WITH ELECTRICAL CONTRACTOR PROVIDE HARD WIRED CONNECTION

2 ELECTRIC WATER HEATER
 P6.01 NOT TO SCALE



4 OVERFLOW NOZZLE
 P6.01 NOT TO SCALE



3 ISLAND SINK DETAIL
 P6.01 SCALE: DETAIL

MEDIA INC.
 Consulting Engineers
 2007 S.E. Ash St.
 Portland, OR 97214
 PHN: (503) 234-0548
 FAX: (503) 234-0677
 WWW.MEDIA-ENG.COM
 CONTACT: MARK DENTON

skylab
 ARCHITECTURE
 INTERIOR DESIGN

413 SW 13TH AVE, STE 200
 PORTLAND, OR 97205

SKYLABARCHITECTURE.COM OFFICE 503 525 9315

© 2020 Skylab Architecture. This document is an instrument of service and the property of the Architect and may not be duplicated, displayed, or reproduced without the written consent of Skylab Architecture.

28 THURMAN
 RESIDENTIAL

ADDRESS
 2771 NW Thurman Street
 Portland, OR 97210

PROJECT #
 18051

DATE
 December 17, 2021

ISSUANCE
 PERMIT SET

REVISIONS

1-11-22



SHEET
 PLUMBING DETAILS

P6.01