

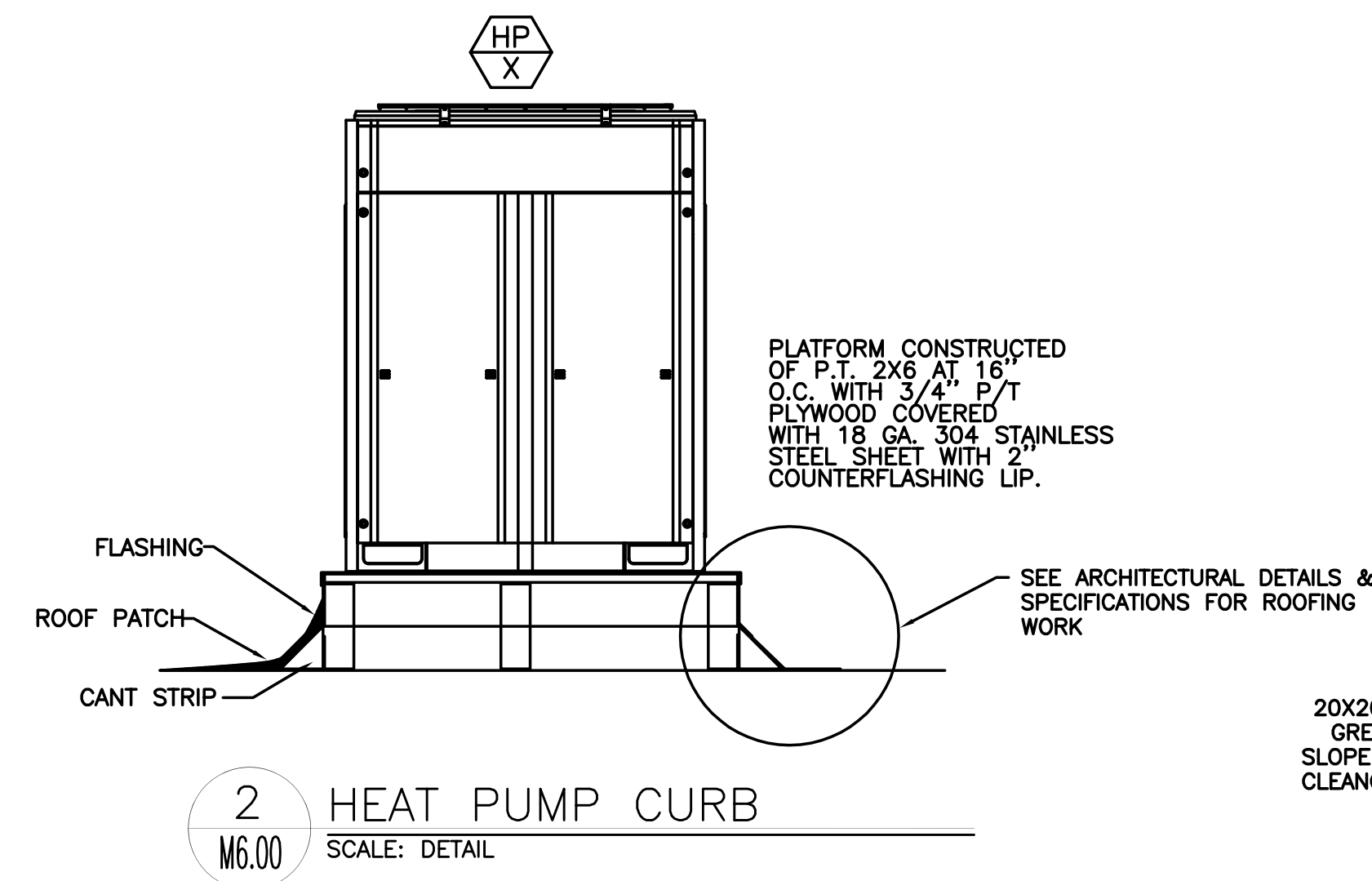
MECHANICAL LEGEND

	SUPPLY AIR DIFFUSER		ABOVE FINISH FLOOR
	RETURN AIR GRILLE		AIR HANDLING UNIT
	EXHAUST AIR GRILLE		BOTTOM OF DUCT
	PERFORATED RETURN AIR PANEL		BRAKE HORSEPOWER
	DIRECTIONAL AIR FLOW		BRITISH THERMAL UNITS
	MANUAL VOLUME DAMPER		CUBIC FEET PER MINUTE
	SUPPLY OR OUTSIDE AIR DUCT UP & DOWN		CONNECTION
	RETURN AIR DUCT UP & DOWN		CONTINUATION
	EXHAUST AIR DUCT UP & DOWN		DOMESTIC COLD WATER
	VAV TERMINAL UNIT		DRY BULB
	WT TERMINAL UNIT		DIAMETER
	EXISTING		DISTRIBUTION
	CONNECT TO EXISTING		EXHAUST AIR
	THERMOSTAT OR TEMP. SENSOR		ENTERING DRY BULB TEMPERATURE
	NOTE		ENTERING WET BULB TEMPERATURE
	EQUIPMENT DESIGNATOR		ENTERING WATER TEMPERATURE
	BALL VALVE		FINISH FLOOR
	GATE VALVE		FEET PER MINUTE
	CHECK VALVE		FEET PER SECOND
	BALANCING VALVE		FEET / FOOT
	THERMOMETER		GAUGE
	DIRECTION OF FLOW		GALLONS PER MINUTE
	PUMP		HEIGHT
	STRAINER		HORSEPOWER
	PRESSURE GAUGE		INSIDE DIAMETER
	PET'S PLUG		INCHES
	DOUBLE CHECK ASSEMBLY		LENGTH
	PRESSURE REDUCING VALVE		POUNDS
	UNION		LEAVING DRY BULB
	2-WAY CONTROL VALVE		LEAVING WET BULB
	3-WAY CONTROL VALVE		LEAVING WATER TEMPERATURE
	CAP		MAXIMUM
	SMOKE DETECTOR		THOUSANDS OF BTUs PER HOUR
	MOTORIZED DAMPER		MINIMUM
			NOISE CRITERIA
			NORMALLY CLOSED
			NOT IN MECHANICAL
			NUMBER
			NORMALLY OPEN
			OUTSIDE AIR
			PERSON
			POUNDS PER SQUARE INCH
			PRESSURE / TEMPERATURE
			RETURN AIR
			RECTANGULAR
			REQUIRED
			SUPPLY AIR
			STATIC PRESSURE
			SQUARE
			TEMPERATURE
			TYPICAL
			VARIABLE AIR VOLUME
			WIDTH
			WET BULB
			WATER PRESSURE DROP
			DIAMETER
			(E) EXISTING
			(D) DEMOLISH
			NEW WORK
			HWS (HWS) HEATING WATER SUPPLY
			HWR (HWR) HEATING WATER RETURN
			FIRE DAMPER
			FIRE / SMOKE DAMPER
			SMOKE DAMPER
			SEISMIC BRACING
			LATERAL BRACING
			LONGITUDINAL BRACING
			LONGITUDINAL & LATERAL BRACING

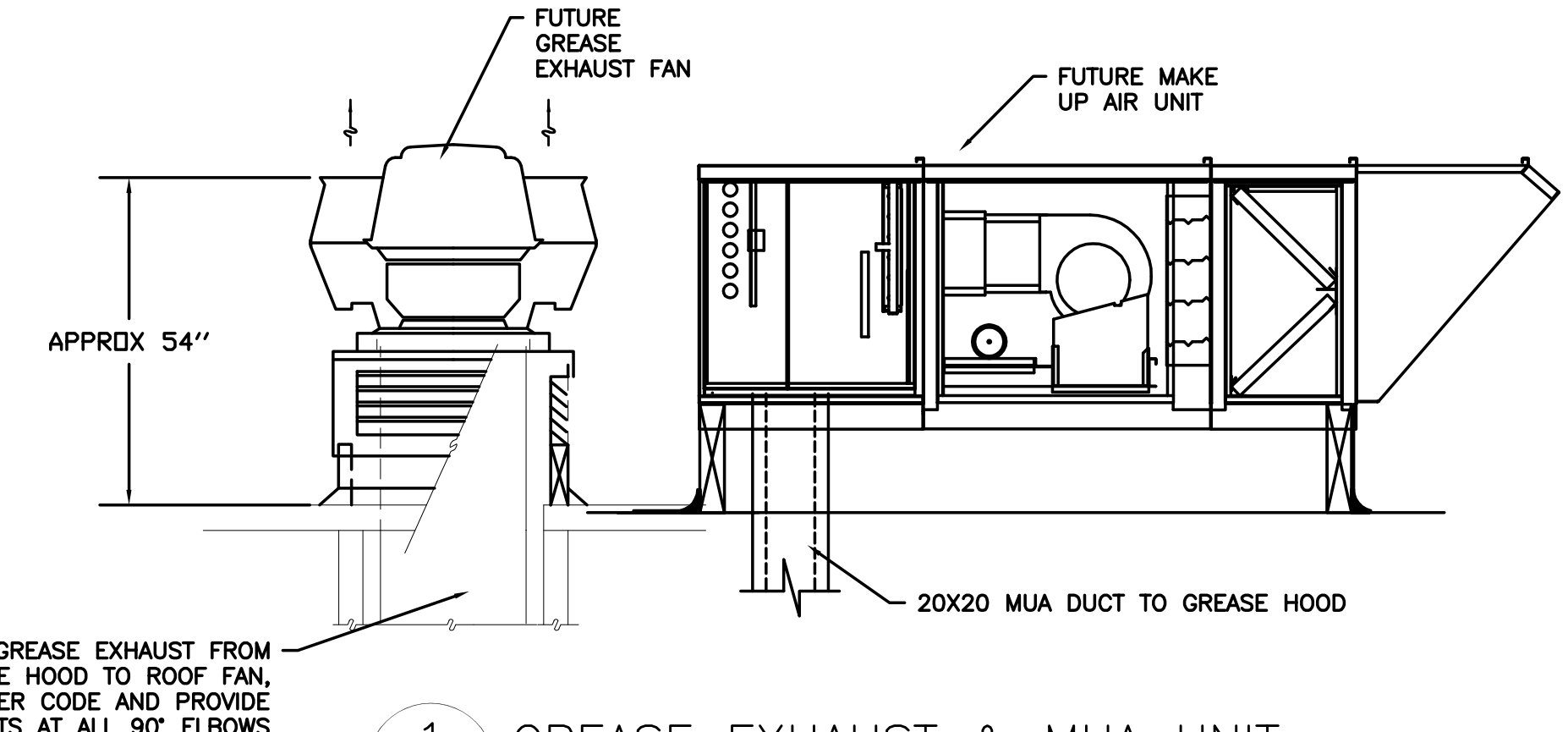
OUTDOOR UNITS - HEAT PUMPS

MARK NUMBER	HP
SYSTEM - VRV - HEAT RECOVERY	WHOLE BUILDING
TYPE	HEAT RECOVERY HEAT PUMP
DAIKIN MODEL (BASIS OF DESIGN)	REYQ456TJU
DAIKIN UNIT COMBINATION	REYQ144 (2) & REYQ168
NORMAL COOLING CAPACITY	38 TONS
NORMAL HEATING CAPACITY	435,000 BTUH
MAX PIPING LENGTH	540 FT
REFRIGERANT	410 A
REFRIGERANT CHARGE	25.8+25.8+25.8 LBS
OUTDOOR DESIGN TEMPS	92/22
WEIGHT	2186
EER - NON DUCTED	12.4
IEER - NON DUCTED/DUCTED	16.2/15.9
HEATING COP - NON / DUCTED	3.2/3.2
HEATING COP 17F - NON / DUCTED	2.3/2.1
POWER - VOLTS/HZ/PH -*	460/60/3
COMPRESSOR TYPE	INVERTOR
MCA -*	31.9+31.9+36.1
MOCP -*	40+40+40
RLA -*	SEE CUT SHEET
HEIGHT	67"
WIDTH	147"
DEAPTH	30.5"

* - ELECTRICAL INFO IS FOR REFERENCE ONLY. UNIT VOLTAGE TO BE COORDINATED WITH DESIGN BUILD ELECTRICAL CONTRACTOR.

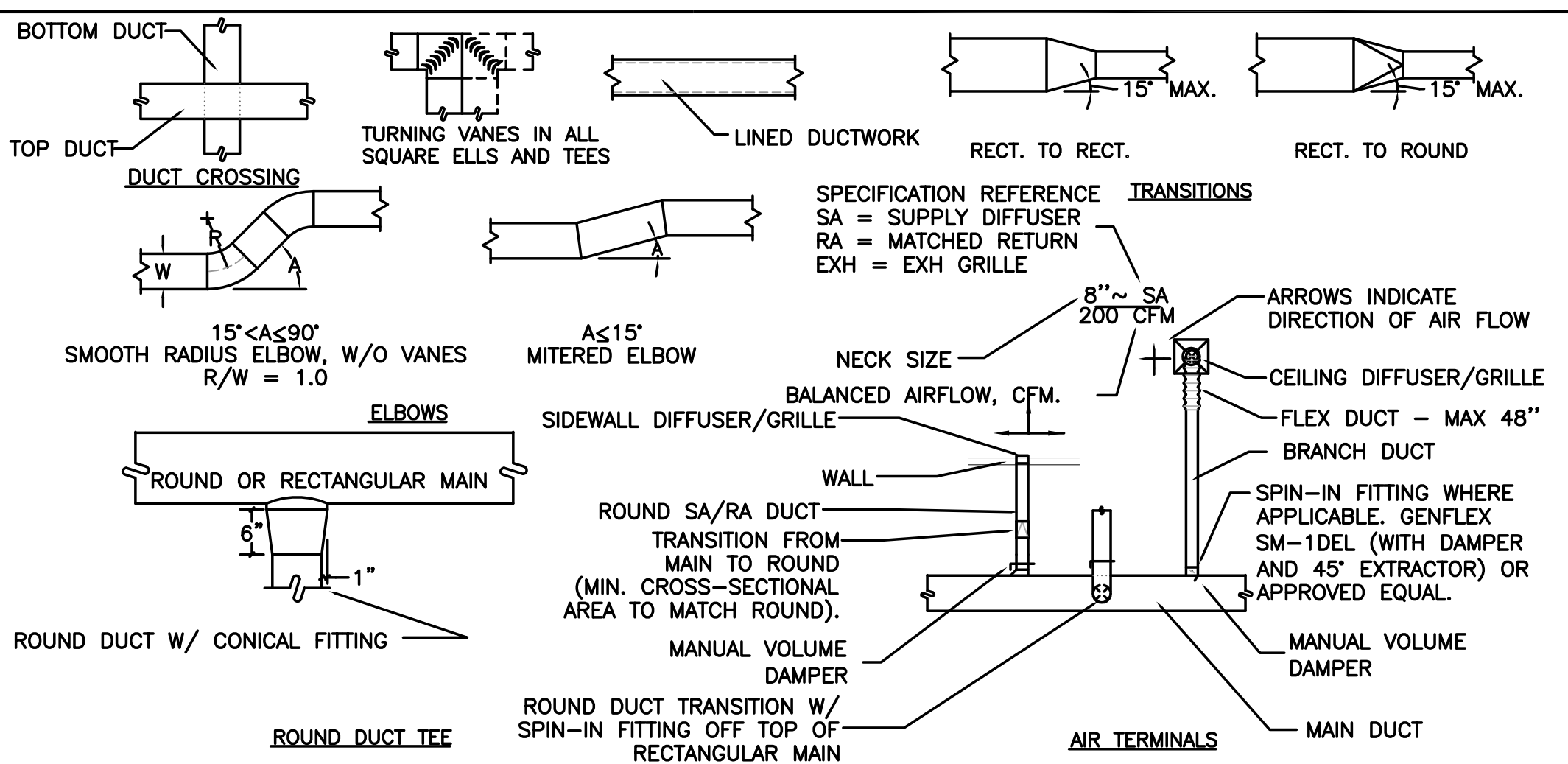


2 HEAT PUMP CURB
SCALE: DETAIL



1 GREASE EXHAUST & MUA UNIT
SCALE: APPROX 1/2"=1'-0"

AIR DISTRIBUTION DETAILS



43 Southwest 13th Ave. Suite 200
Portland, Oregon 97205 USA
+1 503 226 6315 Office
+1 503 226 0028 Fax
www.skylabarchitecture.com

MFA INC. Consulting Engineers
2007 S.E. Ash St.
Portland, OR 97214
PHN: (503) 234-0548
FAX: (503) 234-0877
WWW.MFA-ENG.COM
CONTACT: Mark Denyer/Ron Mart

Not for Construction

HoodRiver Waterfront
DD Set
Location:
Lot 4 Industrial
Hood River OR 97301
Project No:
15120
Issue:
DD Set
Date:
Oct 9, 2015
Revision:

M6.00

THIS DRAWING IS INTENDED TO ASSIST THE DESIGNER/CONTRACTOR AND SHOULD BE USED AS A BASIS OF DESIGN ONLY. DESIGNER/CONTRACTOR SHALL BE RESPONSIBLE FOR COMPLETE DESIGN DOCUMENTS AND PERMITS AS REQUIRED BY ALL NATIONAL, STATE AND LOCAL CODES AND ORDINANCES.

THIS DRAWING IS NOT INTENDED TO BE USED FOR CONSTRUCTION OR FOR ANY PERMITTING APPLICATIONS

© 2015 SkyLab Architecture. This document is an Instrument of Service and the property of the Architect and may not be duplicated, displayed, or reproduced without the written consent of SkyLab Architecture.