

SAVANA STUDIO USA
 100 East 13th Street
 Suite 20
 Vancouver WA 98660
 (360) 600-0042

ZACHARY E. RAY
 ARCHITECT
 P.O. Box 66428 Portland, Oregon 97290-6428
 Pfx: 503-112-4235 Email: zerarcht@gmail.com

for: FOODLANDIA LLC
 Mr. Omar Ghassan
 6819 SE Madison Street
 Hillsboro, Oregon 97123

FOODLANDIA
 2635 SE CENTURY BLVD.
 Hillsboro, Oregon 97123

ELECTRICAL
 DETAILS

REV.	DATE	DESCRPT.
△	01.11.2022	REVIEW COMMENTS

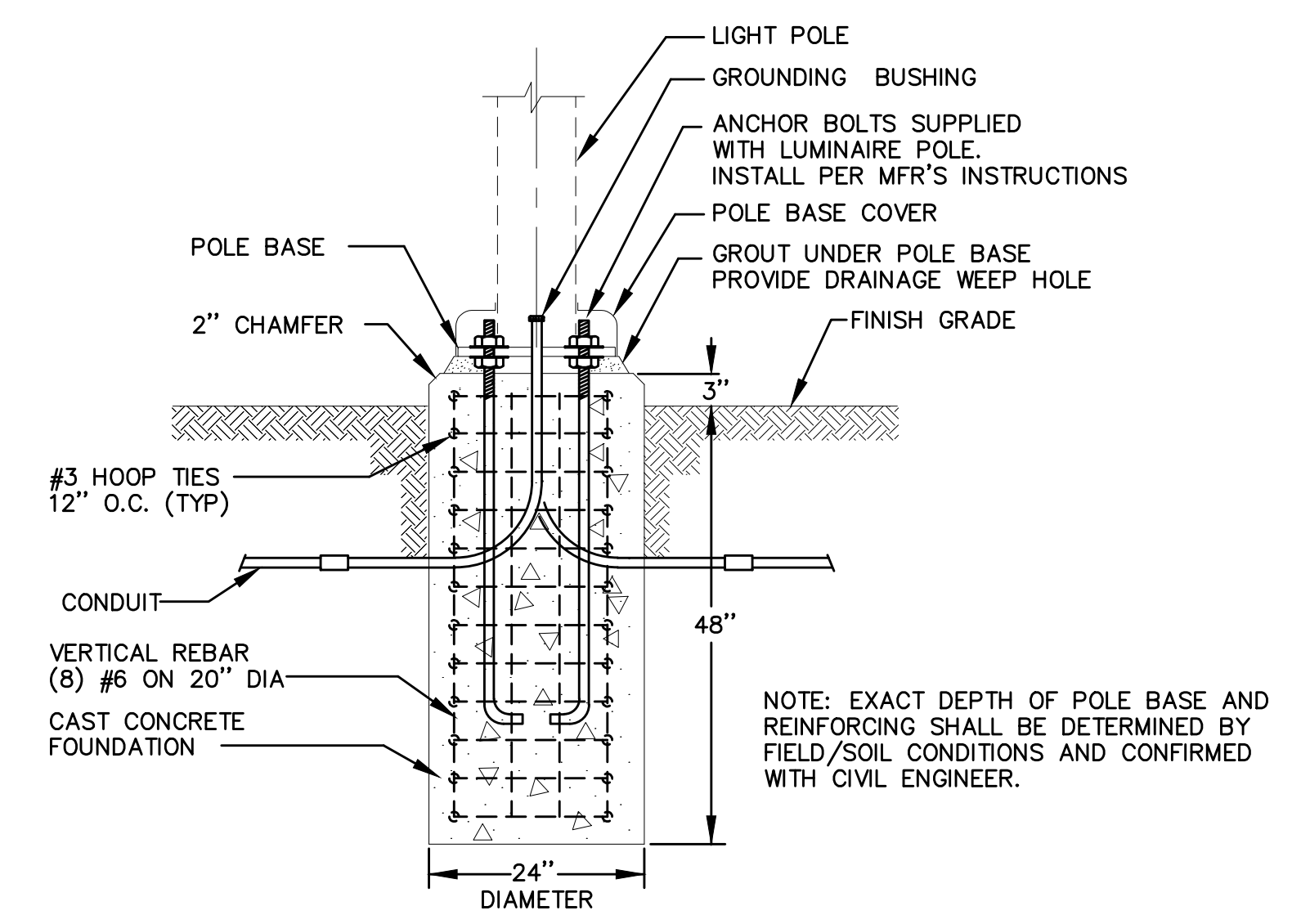


M Consulting Engineers
 2007 S.E. Ash St.
 Portland, OR 97214
 PHN: (503) 234-0548
 FAX: (503) 234-0677
 CONTACT: MFIA
 WWW.MFIA-ENG.COM

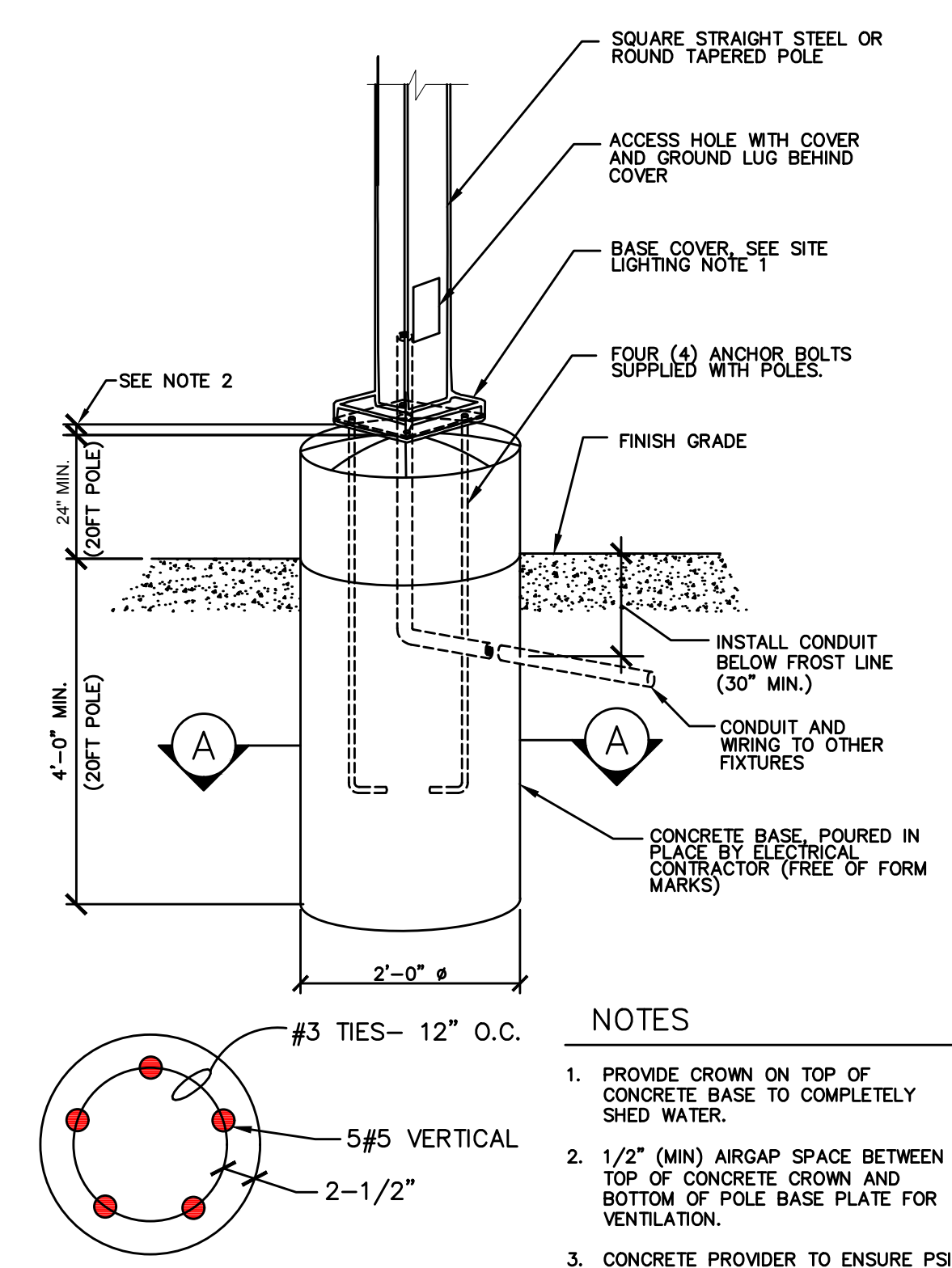
E1.2

Drawn by: DMT

March 8, 2021



1 POLE BASE DETAIL (AT GRADE) (TYPICAL)
 E1.2 NO SCALE



SECTION A-A
 NOT TO SCALE

2 POLE BASE DETAIL (ABOVE GRADE) (TYPICAL)
 E1.2 NO SCALE

- NOTES
1. PROVIDE CROWN ON TOP OF CONCRETE BASE TO COMPLETELY SHED WATER.
 2. 1/2" (MIN) AIRGAP SPACE BETWEEN TOP OF CONCRETE CROWN AND BOTTOM OF POLE BASE PLATE FOR VENTILATION.
 3. CONCRETE PROVIDER TO ENSURE PSI SUFFICIENT TO SUPPORT WIND RATING FOR POLE HEIGHT PER CODE REQUIREMENTS.