

**(CSL)****LED Contemporary Surface Light**

wet location

**OVERVIEW**

Lumen Range (AC/DC)	1080 / 260
CCT	5000K
Wattage	11
Efficacy (LPW)	98

QUICK LINKS[Ordering Guide](#)[Dimensions](#)**FEATURES & SPECIFICATIONS****Construction**

- Die-cast aluminum housing
- UV-stabilized, vandal resistant, polycarbonate lens
- Available in Bronze, White, Black, and Satin Aluminum

Optical System

- 11 watts, 5000K CCT LED
- Dissipates 1080 lumens in AC mode and 260 lumens in DC mode
- Can be used as a Normally-ON or Normally-OFF luminaire as well as on a switched circuit.
- Minimum CRI of 70

Electrical

- Standard Universal Voltage - 120/277VAC dual primary at 60Hz
- Charge rate/power "ON" LED indicator light and push-to-test switch for mandated code compliance testing .
- Internal solid-state transfer switch automatically connects the internal battery to LED board for minimum 90-minute emergency illumination.

- Fully automatic solid-state, two rate charger initiates battery charging to recharge a discharged battery in 24 hours.
- Self-diagnostic feature performs monthly and bi-annual tests to ensure reliable operation and meets electrical and life safety codes.
- Photocell control sensor included as standard for use as dusk-to-dawn luminaire.
- Field-selectable wiring allows for AC operation of unit to be controlled using a wall-switch, photocell or other switching mechanism.

Battery

- Maintenance-free NiCad Battery
- Standard Operating temperatures: 0°C to 40°C (32°F to 104°F)
- CT - Cold Temp Operation Option: -20°C to 50°C (-4°F to 122°F)

Installation

- Universal J-box mounting pattern on back plate for wall mount
- Can be surface mounted using the ½" conduit entry point at top of housing

Warranty

- 3 year warranty on all electronics and housing.
- 2 year pro-rated warranty on battery.

Listings

- UL 924
- cULus
- NFPA 101
- NEC





LED Contemporary Surface Light

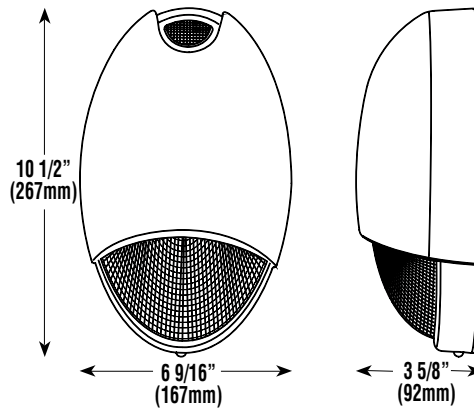
ORDERING GUIDE

[Back to Quick Links](#)

TYPICAL ORDER EXAMPLE: **CSL ACEM DB CT**

Family	Battery	Housing Color	Controls
CSL - Contemporary Surface Light	ACEM - Normally on with Emergency Lighting	DB - Dark Bronze W - White BK - Black SA - Satin Aluminum	CT - Cold Temp Operation

PRODUCT DIMENSIONS



LED PATRIOT® WALL SCNCE (XPWS3)



US patent 7828456, 8002428 and CAN 2736757 & 2736757 and MX patent 29631 and ISRL 49679 and AUS 2008312668 and US & Int'l. patents pending

SMARTTEC™ -LSI drivers feature integral sensor which reduces drive current, when ambient temperatures exceed rated temperature

ENERGY SAVING CONTROL OPTIONS - DIM- 0-10 volt dimming enabled with controls by others.

OPTIONAL INTEGRAL MOTION SENSOR - Passive infrared motion sensor activates switching of luminaire light levels. High level light is activated when passersby enter target zone and increased to full bright in 1-2 seconds. Low light level (30% of maximum drive current) is activated when target zone is absent of motion activity for 5 minutes and is gradually ramped down (10 seconds) to low level. Sensor detection range 110° horizontal x 93° vertical x 10 meters maximum distance.

EXPECTED LIFE - Minimum 60,000 hours to 100,000 hours depending upon the ambient temperature of the installation location. See LSI web site for specific guidance.

LEDS - Available with 28 or 48 select high-brightness LEDs in Cool White (5000K) or Neutral White (4000K) color temperature, 70 CRI.

OPTICS/DISTRIBUTIONS - Ultra-high efficiency reflectors provide three distributions. Choose from Wide Throw (WT), Forward Throw (FT) or Wall Wash (WW).

HOUSING - One-piece die-cast aluminum housing is smoothly contoured rectangular shape. Mounting hardware is stainless steel or electro-zinc plated steel. Housing and optical unit are sealed with extruded silicone gasket; supply conductors with molded EPDM bushing.

OPTICAL UNIT - Clear tempered optical-grade flat glass lens sealed to the aluminum optic housing creates an IP65 rated unit. Pressure stabilizing breather allows super-tight protection while preventing cycling from building up internal pressures and vacuums that can stress optical unit seals.

WALL MOUNTING - Galvanized-steel universal wall mounting plate easily mounts directly to 4" octagonal or square junction box. EPDM gasket is supplied to be installed between mounting plate and junction box, sealing junction box from entrance of water. Universal plate permits fixture to be mounted in uplighting (indoor only) or downlighting position.

POLE MOUNTING - XPMA (for square) or XPMA (for round) allows mounting to poles in single and D180 configurations. Use with 3" reduced drilling pattern.

ELECTRICAL - Two-stage surge protection (including separate surge protection built into electronic driver) meets IEEE C62.41.2-2002, Location Category C. Available with universal voltage power supply 120-277VAC (50/60Hz input) or 347-480VAC.

DRIVER - Available in 350mA and 450mA drive currents (Drive currents are factory programmed). Components are fully encased in potting material for IP65 moisture resistance. Driver complies with IEC and FCC standards. Driver can be easily accessed.

EMERGENCY OPTIONS - Optional integral emergency battery-back-up options are available. BB option operates in 0°C to 60°C ambient temperature and CWBB operates in -20°C to 60°C ambient temperature. When primary AC power failure occurs, both options operate 10 LEDs for minimum of 90 minutes.

OPERATING TEMPERATURE - -40°C to +50°C (-40°F to +122°F)

FINISH - Fixtures are finished with LSI's DuraGrip® polyester powder coat finishing process. The DuraGrip finish withstands extreme weather changes without cracking or peeling.

WARRANTY - LSI LED fixtures carry a limited 5-year warranty.

PHOTOMETRICS - Please visit our web site at www.lsi-industries.com for detailed photometric data.

SHIPPING WEIGHT (in carton) - 30 lbs./13.6Kg

LISTING - ETL listed to ANSI/UL1598, UL8750 and other U.S. and international safety standards. Suitable for wet locations in downlight position. Optional Class 1 Division 2 (groups A, B, C & D) hazardous location rating is available (Select HL option). For a list of the specific products in this series that are DLC listed, please consult the LED Lighting section of our website or the Design Lights website at www.designlights.org.

DOE LIGHTING FACTS

Department of Energy has verified representative product test data and results in accordance with its Lighting Facts Program. Visit www.lightingfacts.com for specific catalog strings.

LIGHT OUTPUT - XPWS3						
		Distribution/Lumens (Nominal)				
Milliamps	# of LEDs	Type FT	Type WT	Type WW	Watts	
Cool White 350 mA	28	3100	3000	3200	34	
	48	5100	5100	5200	55	
	450 mA	28	3700	3600	3800	44
		48	6200	6100	6300	72
Neutral White 450 mA	28	2900	2900	3100	34	
	48	4900	4800	4900	55	
	28	3500	3500	3700	44	
	48	5800	5700	5800	72	

LED Chips are frequently updated therefore values may increase.

Also available in traditional light sources

This product, or selected versions of this product, meet the standards listed below. Please consult factory for your specific requirements.



Intertek
wet location
(downlight only)



IP65



LED PATRIOT® WALL SCNCE (XPWS3)

LUMINAIRE ORDERING INFORMATION

TYPICAL ORDER EXAMPLE: **XPWS3 FT LED 48 450 CW UE WHT BB**

Prefix	Distribution	Light Source	# of LEDs	Drive Current	Color Temperature	Input Voltage	Finish	Optional Controls	Optional Sensor/Options
XPWS3 - LED Patriot Wall Sconce	WT - Wide Throw FT - Forward Throw WW - Wall Wash	LED	28 48	350 - 350mA 450 - 450mA	CW - Cool White (5000K) NW - Neutral White (4000K)	UE - Universal Voltage (120-277) 347-480	BLK - Black BRZ - Bronze GPT - Graphite MSV - Metallic Silver PLP - Platinum Plus SVG - Satin Verde Green WHT - White	Wireless Control System^{1,2} (blank) - None PCM - Platinum Control System PCMH - Host/Satellite Platinum Control System GCM - Gold Control System GCMH - Host/Satellite Gold Control System DIM - 0-10 volt dimming (required for satellite fixtures) Stand-Alone Control (blank) - None DIM - 0-10 volt dimming ³ (from external signal)	Sensor IMS - Integral Motion Sensor ⁴ PCI120 - 120V Button-Type Photocell ⁵ PCI208 - 208V Button-Type Photocell ⁵ PCI240 - 240V Button-Type Photocell ⁵ PCI277 - 277V Button-Type Photocell ⁵ PCI347 - 347V Button-Type Photocell ⁵ Options BB - Battery Back-up ⁶ CWBB - Cold Weather Battery Back-up ⁶ EMR2 - Two Emergency 12V Circuit Provisions with (2) 35 Watt Halogen Lamps ⁷ HL - Class 1, Division 2 Hazardous Location Rating, ETL Listed to UL844 ⁸ XPM - Pole Mounting Adaptor w/ Fixture Back Plate for Use with Square Poles ⁹ XPMAR4 - Pole Mounting Adaptor w/ Fixture Back Plate for Use with 4" O.D. Round Poles ⁹ XPMAR5 - Pole Mounting Adaptor w/ Fixture Back Plate for Use with 5" O.D. Round Poles ⁹

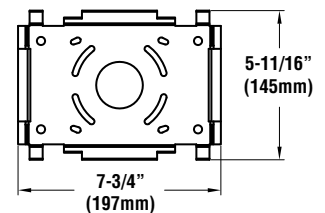
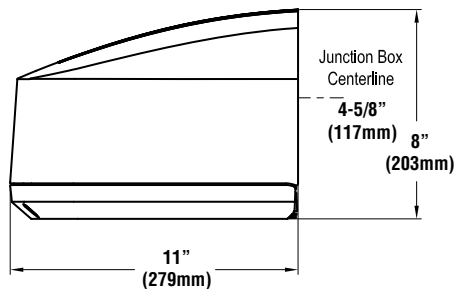
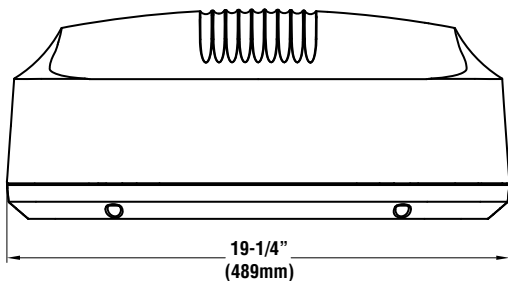
ACCESSORY ORDERING INFORMATION¹ (Accessories are field installed)

Description	Order Number	Description	Order Number
XPWS3 Polycarbonate Shield	244657	DFK208, 240 - Double Fusing	DFK208,240 ¹⁰
XPWS3 SW BLK - Surface Wiring Box (Available in black only)	356915BLK	DFK480 - Double Fusing	DFK480 ¹⁰
FK120 - Single Fusing	FK120 ¹⁰	FK347 - Single Fusing	FK347 ¹⁰
FK277 - Single Fusing	FK277 ¹⁰		

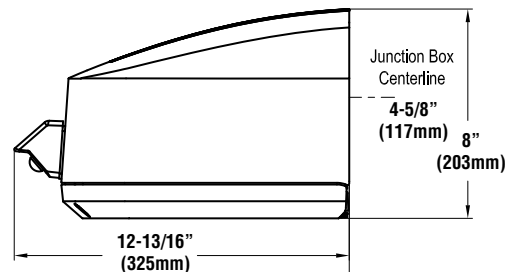
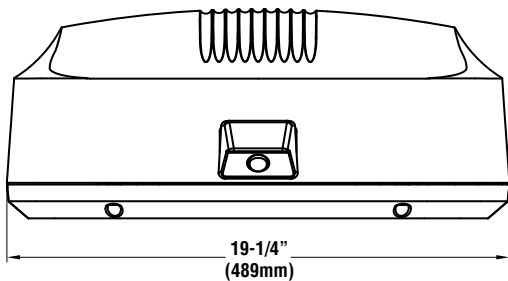
FOOTNOTES:

- For wireless controls information and accessories, see Controls section.
- Requires a SiteManager and override switch. Not compatible with battery back-up, IMS, EMR2 or HL Option.
- Not compatible with IMS option.
- Not compatible with wireless controls system or DIM.
- Not compatible with EMR2 or HL option.
- Available with UE voltage only. Not compatible with wireless controls system, EMR2 or HL option.
- Utilizes GZ4 sockets. 12 volt separate circuits required. Not available with wireless controls system, battery back-up, photocell, HL, XPM or XPMAR option.
- Not available with wireless controls system, battery back-up, photocell or EMR2 option.
- Not available with EMR2 option. Designed for 3" reduced drilling pattern. For S or D180 mounting configuration only.
- Fusing to be installed in a compatible junction box supplied by contractor.

DIMENSIONS



Universal Mounting Plate



Shown with IMS Option



Project Name _____ Fixture Type _____
Catalog # _____

07/28/16
© 2016
LSI INDUSTRIES INC.

BUG LISTING

XPWS3 - Type FT

Drive Current	Color Temp.*	Lumens	Watts	LER	BUG Rating
350	CW	3055	34	90	B1-U0-G1
		5094	55	93	B1-U0-G1
	NW	2919	34	86	B1-U0-G1
		4863	55	88	B1-U0-G1
450	CW	3730	44	85	B1-U0-G1
		6159	72	86	B2-U0-G1
	NW	3529	44	80	B1-U0-G1
		5775	72	80	B1-U0-G1

XPWS3 - Type WT

Drive Current	Color Temp.*	Lumens	Watts	LER	BUG Rating
350	CW	2977	34	88	B1-U0-G1
		5095	55	93	B2-U0-G1
	NW	2873	34	86	B1-U0-G1
		4791	55	87	B1-U0-G1
450	CW	3636	44	83	B1-U0-G1
		6144	72	85	B2-U0-G1
	NW	3465	44	79	B1-U0-G1
		5678	72	79	B2-U0-G1

XPWS3 - Type WW

Drive Current	Color Temp.*	Lumens	Watts	LER	BUG Rating
350	CW	3161	34	93	B2-U0-G0
		5209	55	95	B2-U0-G0
	NW	3074	34	90	B1-U0-G0
		4881	55	89	B2-U0-G0
450	CW	3844	44	87	B2-U0-G0
		6315	72	88	B2-U0-G0
	NW	3708	44	84	B2-U0-G0
		5751	71	81	B2-U0-G0

* Color Temperature: NW-4000K, CW-5000K





COMMERCIAL LED BOLLARD (CBR7)

The CBR7 LED Commercial Bollard is an excellent choice for retrofit, as well as new construction applications. It is designed with a standard selection of distributions & color temperatures to meet most commercial requirements. It is ideal for retail, parks, schools, office buildings and more general lighting applications.

Features & Specifications

Optical System

- Available in two optical distributions, symmetrical and asymmetrical.
- Optically clear vandal-resistant extruded polycarbonate lens seals the luminaire's optical chamber to IP65.
- Available in 5000K, 4000K, and 3,000K color temperatures per ANSI C78.377. Consult Factory for other color temperature requirements.
- Optional internal louvers available to conceal the light source.
- Minimum CRI of 70. Consult Factory for Higher CRI requirements.

Electrical

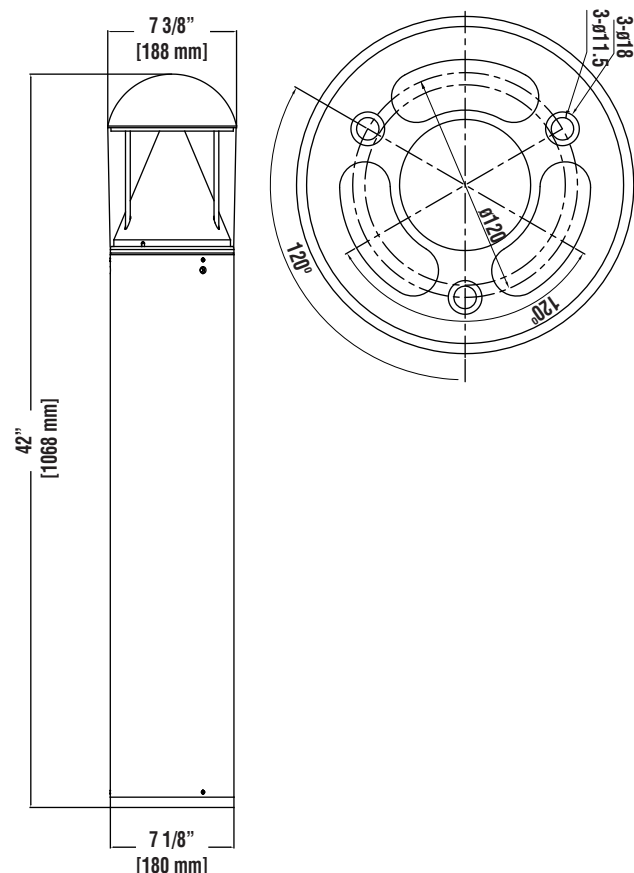
- High-performance driver features over-voltage, under voltage, short-circuit and over temperature protection.
- 0-10 volt dimming (10% - 100%) standard.
- Standard Universal Voltage (120-277 Vac) Input 50/60 Hz. Optional High Voltage 347 Vac Input available.
- L70 Calculated Life: > 147k Hours projected @ 25°C per IESNA TM-21-11.
- Total harmonic distortion: <20%
- Operating temperature: -40°C to +40°C (-40°F to +104°F)
- Power factor: >.90
- Input power stays constant over life.
- High-efficacy LEDs with integrated circuit board mount to the housing to maximize heat dissipation and promote long life.
- Driver components are fully encased in potting material for moisture resistance. Driver complies with FCC standards. Driver and key electronic components can easily be accessed.
- Electrical components are mounted on a removable power tray.
- Field replaceable surge protection device meets a minimum Category C Low operation (per ANSI/IEEE C62.41.2).
- Optional 120v-277v integral emergency battery pack is available to meet critical life safety lighting requirements. The 90-minute batteries provide constant power to the LED system, ensuring code compliance. A test switch/indicator button is installed on the housing for ease of maintenance.



IP65



Product Dimensions



CBR7 Commercial LED BOLLARD

Features & Specifications (Cont.)

Construction

- Precision cast aluminum dome head for maximum durability and consistency.
- 7" one-piece extruded aluminum seamless shaft.
- Fixtures are finished with LSI's DuraGrip® polyester powder coat finishing process. The DuraGrip finish withstands extreme weather changes without cracking or peeling. Other standard LSI finishes available. Consult factory.
- Shipping weight: 30 lbs in carton.

Installation

Base plate installs with three heavy-duty 3/8" x 8" galvanized steel anchor bolts.

Warranty

- LSI LED Fixtures carry a 5-year warranty.
- 1 Year warranty on optional Battery Back Up. Test regularly in accordance with local codes.

Listings

- Listed to UL 1598 and UL 8750.
- RoHS Compliant.

ELECTRICAL DATA*						
Lumens	Distribution	120V	208	240V	277V	347V
10L	LV	0.15	0.08	0.07	0.06	0.05
	A	0.18	0.11	0.09	0.08	0.07
	S	0.15	0.08	0.07	0.06	0.05

*Electrical data at 25C (77F). Actual wattage may differ by +/-10%.

PERFORMANCE								
Lumens	Distribution	3000K		4000K		5000K		Wattage
		Delivered Lumens	Efficacy	Delivered Lumens	Efficacy	Delivered Lumens	Efficacy	
10L	LV	450	26	489	29	507	30	17
	A	1,095	50	1,190	55	1,232	57	22
	S	1,179	69	1,281	75	1,310	77	17

*LED Chips are frequently updated therefore values are nominal.

TYPICAL ORDER EXAMPLE: **CBR7 LED 10L PC S UNV 40 BB BRZ**

Prefix	Source	Lumen Package	Lens	Distribution	Voltage	Driver	EM	Color Temp	CRI	Finish	Options
CBR7 (Commercial Bollard Round 7")	LED	10L - 1,000 lm	PC - Polycarbonate	LV - Symmetric (louver) ³ A - Assymmetric (cone) ³ S - Symmetric (cone) ³	UNV - Universal voltage (120-277V)	(Blank) - 0-10V Dimming (10-100%)	(Blank) - Standard BB - Battery Backup	30 - 3000k ¹ 40 - 4000k 50 - 5000k	(Blank) - 80 CRI	BRZ - Bronze BLK - Black	HSS - House Side Shield LAB - Less Anchor Bolts

Accessories

Adaptor Baseplate CBR7 BRZ ⁴
Adaptor Baseplate CBR7 BLK ⁴
RPL Driver CBR7 UNV
RPL Driver CBR7 HV
RPL Baseplate CBR7 BRZ
RPL Baseplate CBR7 BLK
RPL PC Lens CBR7
Anchor Bolt Kit 3/8" x 8" CBR7

FOOTNOTES:

- 1 - Consult Factory for Lead Time
- 2 - Surge Protection is Standard on all fixtures.
- 3 - Refer to Luminaire Output chart for actual lumen values.
- 4 - Adaptor Baseplate is required for use with some existing Anchor Bolts. Consult Factory for specific compatibility.

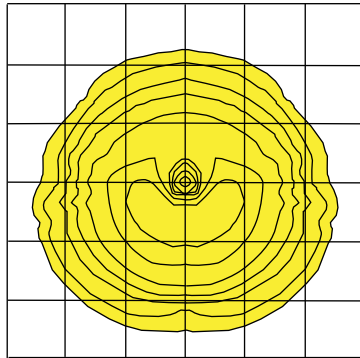


CBR7

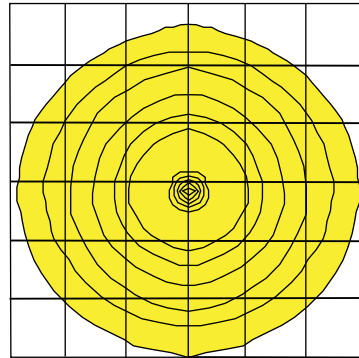
Commercial LED BOLLARD

Photometry

All published luminaire photometric testing performed to IESNA LM-79 standards by NVLAP, certified laboratory. ISO footcandle plots below demonstrate the CBR7 light patterns only. Not for total fixture output. For complete specifications and IES files, see website.



Asymmetric



Symmetric



DESCRIPTION

The Halo Surface LED Downlight (SLD) incorporates WaveStream™ technology to create an ultra-low profile surface mounting luminaire with the performance and look of a traditional downlight. SLD4 is designed for installation in many 3-1/2" and 4" round or octagon junction boxes. Dedicated LED wiring connector meets high-efficacy code requirement in recessed downlighting. Suitable for residential or commercial installations. Ideal for closets, storage areas, attics and basements. Compliant with NFPA® 70, NEC® Section 410.16 (A)(3) and 410.16 (C)(5).

Catalog #		Type
Project	UNIT KITCHEN, BATH, HALL	U1
Comments		Date
Prepared by		

SPECIFICATION FEATURES

CONSTRUCTION

- Die cast aluminum trim ring and die formed aluminum frame

OPTICS

- WaveStream™ technology provides uniform luminance from a low profile flat lens
- AccuAim™ optics provide directional control for the "cone-of-light" beam distribution of a traditional downlight
- Precision molded lens features high transmission polymer with UV stabilized protecting film

DESIGNER TRIMS

Accessories (sold separately)

SLD designer trims are accessory rings that attach to the SLD for a permanent finish. Refer to SLD accessories specification sheet for details.

- White (Paintable)
- Satin Nickel
- Tuscan Bronze

ELECTRICAL JUNCTION BOX MOUNTING

- SLD may be used in compatible electrical junction boxes in direct contact with insulation including spray foam insulation
- Suitable for installation in many 3-1/2" and 4" octagon and round electrical junction boxes.
Note: Driver consumes 3 cubic inches of junction box.
- Installer must ensure compatibility of fit, wiring and proper mounting in the electrical junction box. This includes all applicable national and local electrical and building codes
- Proprietary Slot-N-Lock quick installation system for junction box installation

- T-bracket with Slot-N-Lock mounting tabs included

LED

- Trilateral linear LED assembly is integrated in trim perimeter.
- Color Temperature: 2700K, 3000K, 3500K, 4000K
- CRI options: 80 and 90
 - 90 CRI can be used for California Title 24 compliance/certified to Title 20
 - 80 CRI can be used to comply with California Title 24 Non-Residential Lighting Controls as a LED luminaire.
- L70 at 50,000 hours projected in accordance with TM-21

WARRANTY

Cooper Lighting Solutions provides a five year limited warranty on the SLD LED

LED CHROMATICITY

- A tight chromaticity specification ensures LED color uniformity, sustainable Color Rendering Index (CRI) and Correlated Color Temperature (CCT) over the useful life of the LED
- LED chromaticity of 3 SDCM exceeds ENERGY STAR® color standards per ANSI C78.377-2008
- 90 CRI model features high color performance with R9 greater than 50
- Every Halo LED is quality tested, measured, and serialized in a permanent record to register lumens, wattage, CRI and CCT.
- Halo LED serialized testing and measurement ensures color and lumen consistency on a per-unit basis, and validates long-term product consistency over time

ELECTRICAL CONNECTIONS

Junction Box

- Compatible with many 3-1/2" x 2" and 4" x 1-1/2" round and octagon boxes (2-1/8" deep boxes recommended)
- Supply Wire Adapter with LED quick connector included

LED DRIVER

- Driver is a 120V input high efficiency, dimmable electronic power supply providing DC power to the LED array
- Driver features high power factor, low THD, and has integral thermal protection in the event of over temperature or internal failure.
- Driver is replaceable if it should be required

DIMMING

- Designed for continuous dimming capability to nominally 5% with many 120V Leading Edge (LE) and Trailing Edge (TE) phase control dimmers. Dimming to 5% is best assured using dimmers with low end trim adjustment. Consult dimmer manufacturer for compatibility and conditions of use. (Note some dimmers require a neutral in the wallbox.)

COMPLIANCE

- cULus Listed ceiling and wall
- cULus Damp Location listed ceiling and wall
- cULus Wet Location Listed, ceiling only (shower rated)
- Suitable for use in closets, compliant with NFPA® 70, NEC® Section 410.16 (A)(3) and 410.16 (C)(5)
- SLD may be used in compatible electrical junction boxes in direct contact with insulation including spray foam insulation continued...



SLD4058xxWHJB

80CRI
2700K, 3000K, 3500K,
and 4000K

SLD4059xxWHJB

90CRI
2700K, 3000K, 3500K,
and 4000K

4" Surface LED Downlight

Suitable for ceiling or wall electrical junction boxes

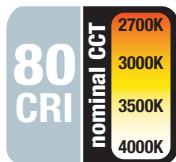
ENERGY DATA

	80 CRI	90 CRI
Lumens (4000K models)	800	710
Input Voltage	120V	120V
Frequency	50/60 Hz	50/60 Hz
Input Current	0.10 A	0.10 A
Input Power	12.2 W	12 W
Efficiency (4000K models)	66 lm/W	59 lm/W
THD	≤ 20%	
Power Factor	≥ 0.90	
T Ambient	-30 - +40°C	
Sound Rating	Class A	

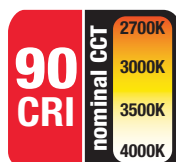
NOMENCLATURE

SLD405 8 30 WH JB

405 = 4" SLD
8 = >80 CRI
30 = 3000K
WH = Matte White
JB = Junction Box kit only



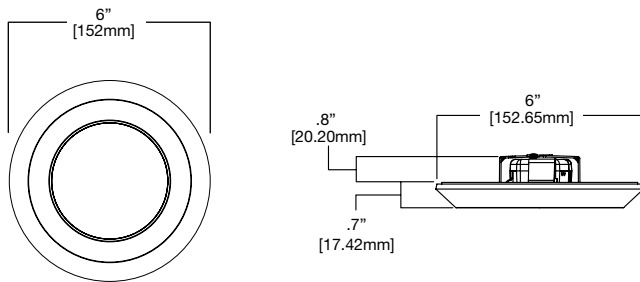
Refer to ENERGY STAR® Certified Products List. Can be used to comply with California Title 24 Non-Residential Lighting Controls requirements as a LED Luminaire.



Refer to ENERGY STAR® Certified Products List. Can be used to comply with California Title 24 High Efficacy requirements. Certified to California Title 20 Appliance Efficiency Database.

- EMI/RFI: meets FCC 47CFR Part 15 Class B limits, and is suitable for use in residential and commercial installations
- Airtight certified per ASTM E283 (not exceeding 2.0 CFM under 57 Pascals pressure difference)
- 90 CRI: Can be used to comply with California Title 24 High Efficacy requirements. Certified to California Title 20 Appliance Efficiency Database.
- 80 CRI: Can be used to comply with California Title 24 Non-Residential Lighting Controls requirements as a LED luminaire.
- Can be used for International Energy Conservation Code (IECC) and Washington State Energy Code high efficiency luminaire compliance
- ENERGY STAR® Certified luminaire - consult ENERGY STAR® Certified Product List
- Contains no mercury or lead and RoHS compliant.
- Photometric testing in accordance with IES LM-79
- Lumen maintenance projections in accordance with IES LM-80 and TM-21

DIMENSIONS



ORDERING INFORMATION

SAMPLE NUMBER: SLD405830WHJB

Order junction box separately, as supplied by others, to complete installation.

Models	Color Rendering Index	Color Temperature (CCT)	Finish	JB
SLD405= 4" Surface LED Downlight, 120V	8=80 CRI 9=90 CRI	27=2700K 30=3000K 35=3500K 40=4000K	WH=White	JB=Junction Box kit

Accessories

Designer Trims

Fit over the SLD4 for a designer finish

SLD4TRMSN=4" SLD Satin Nickel

SLD4TRMTBZ=4" SLD Tuscan Bronze

SLD4TRMWH=4" SLD White (paintable)

J-Box Spacer Extension Ring

Add 15/16" depth when SLD driver cannot fit into installed junction box

SLD4EXT=4" Surface LED J-Box Extender, 7.75" O.D.

RAD Adapters

When junction box is mounted flat on a ceiling or beam surface (not recessed in ceiling)

SLD4RAD=4" SLD Round Surface J-Box Adapter,

6.15" O.D. (For 4-inch round or octagon junction boxes)

Spare Parts

SLD4ACCKIT=4" Accessory Parts Replacement Kit (Screwbase adapter, torsion springs, friction blades)

SLD4BRKT=4" Junction Box Bracket & Screws

Refer to SLD Accessories specification sheet for further information.



SLD4058xxWHJB

80CRI

2700K, 3000K, 3500K,
and 4000K

SLD4059xxWHJB

90CRI

2700K, 3000K, 3500K,
and 4000K

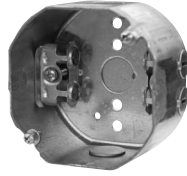
**4" Surface LED
Downlight**

**Suitable for
ceiling or wall
electrical junction boxes**

COMPATIBLE WITH COOPER LIGHTING SOLUTIONS' CROUSE-HINDS JUNCTION BOXES



TP316
for non-metallic cable
4" x 4" x 2-1/8"
(102mm x 102mm x 54mm)



TP317
for metal clad cable
4" x 4" x 2-1/8"
(102mm x 102mm x 54mm)

- **TP316** - for non-metallic cable
- **TP317** - for metal clad cable
- UL Listed
- Refer to www.crouse-hinds.com

COMPATIBLE WITH MANY OTHER JUNCTION BOXES*



4" octagon light fixture/fan steel box
4" x 4" x 2-1/8"
(102mm x 102mm x 54mm)



4" octagon steel box
4" x 4" x 1-1/2"
(102mm x 102mm x 38mm)



4" round new work non-metallic box with hanger bar assembly
4" diameter x 2-3/16" (102mm x 56mm)



4" round new work non-metallic light fixture/fan box
4" diameter x 2-3/16"
(102mm x 56mm)



3-1/2" round new work non-metallic ceiling box
3-1/2" diameter x 2-3/4"
(89mm x 70mm)



3-1/2" round old work non-metallic box
4-1/4" O.D. flange, 3-1/2" I.D. x 2-5/8"
(108mm O.D., 89mm I.D. x 67mm)



4" round surface mount box
4" diameter x 1-1/2"
(102mm x 38mm)
Requires SLD4RAD adapter

*This is a representative list of compatible junction boxes only. Information contained in this literature about other manufacturers' products is from published information made available by the manufacturer and is deemed to be reliable, but has not been verified. Cooper Lighting Solutions makes no specific recommendation on product selection and there are no warranties of performance or compatibility implied. Installer must determine that site conditions are suitable to allow proper installation of the SLD mounting bracket in the box.

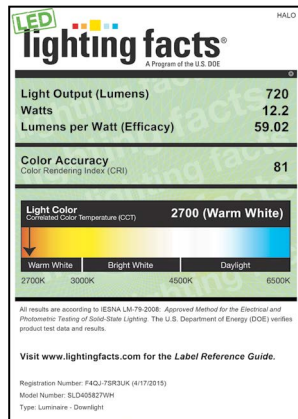
PRODUCT DATA

Cat No.	CRI	CCT	Lumens	Power (W)	LPW
SLD405827WH	81	2700	720	12.2	59
SLD405830WH	81	3000	750	12.2	61
SLD405835WH	81	3500	780	12.2	64
SLD405840WH	81	4000	800	12.2	66
SLD405927WH	92	2700	650	12	54
SLD405930WH	92	3000	670	12	56
SLD405935WH	92	3500	690	12	58
SLD405940WH	92	4000	710	12	59

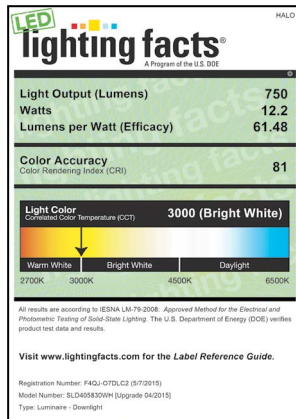
Performance values are presented as typical for the model(s) indicated. Field results may vary.

LIGHTING FACTS®

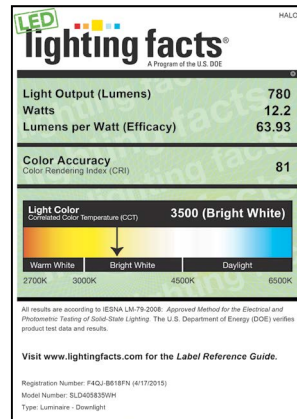
SLD405827WH - 80 CRI



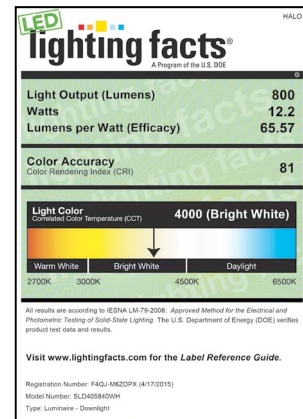
SLD405830WH - 80 CRI



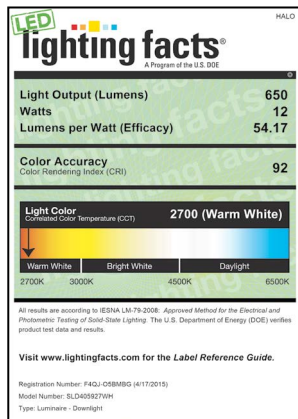
SLD405835WH - 80 CRI



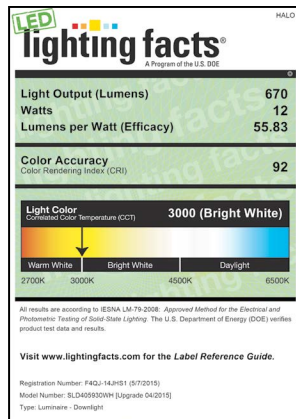
SLD405840WH - 80 CRI



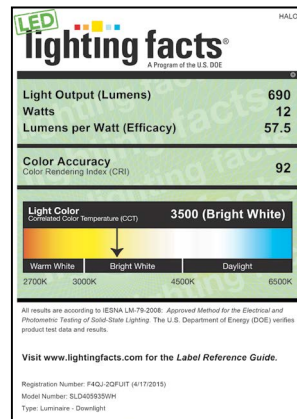
SLD405927WH - 90 CRI



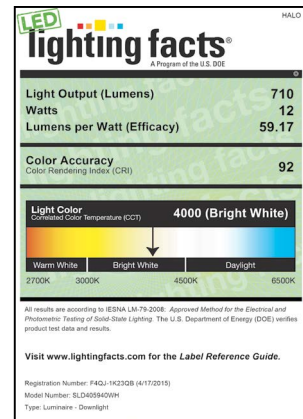
SLD405930WH - 90 CRI



SLD405935WH - 90 CRI



SLD405940WH - 90 CRI



**BEDFORD
FM3511**
FLUSH MOUNT

PROJECT

TYPE U2
Unit Bedroom

DESCRIPTION

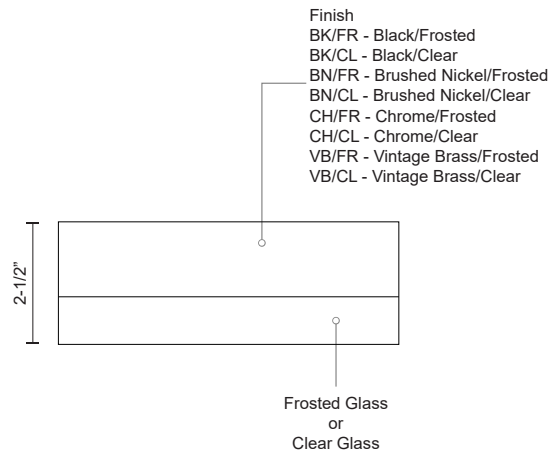
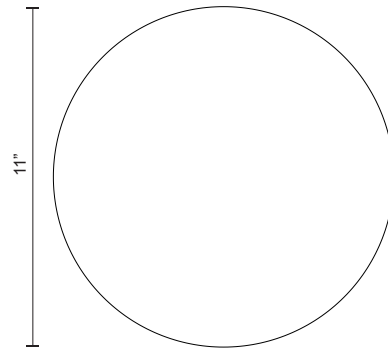
Single LED round flush mount ceiling fixture with two finishes. Round glass polished surface and painted white interior with chrome/vintage brass finish or round glass frosted and painted white interior with brushed nickel/black finish. Equipped with our powerful 120V AC LED technology.



SPECIFICATION DETAILS

* For custom options, consult factory for details.

Fixture Dimensions	D11" x H2-1/2"
Light Source	LED
Wattage	20W
Total Lumens	1600lm
Delivered Lumens	BN/FR-971lm; CH/CL-734lm; VB/CL-1039lm;
Voltage	120V
Color Temperature	3000K
CRI (Ra)	>90
Optional Color Temps	2700K - 5000K Available, Minimum Order Quantities Apply
LED Rated Life	50,000 hours
Dimming	100% - 10%, ELV Dimmer (Not Included)
Glass Details	Clear or Frosted Glass
Location	Dry
Warranty	5 Years



KUZCO

19054 28TH AVENUE
SURREY - BC V3Z 6M3
CANADA

WWW.KUZCOLIGHTING.COM

COMMENT



DESCRIPTION

An extruded square diffuser surrounds the LED source of the geometric vanity fixture and gently spreads light. Enclosed at the ends by two thick caps the design is characterized by minimal details and clever features. During installation the lamp assembly may slide on the mounting track to allow for ideal positioning. Adding to the versatile function are the multiple fixture lengths and mounting orientations. Optional installation without backplate for smaller junction boxes.



VL62220-CH
Chrome

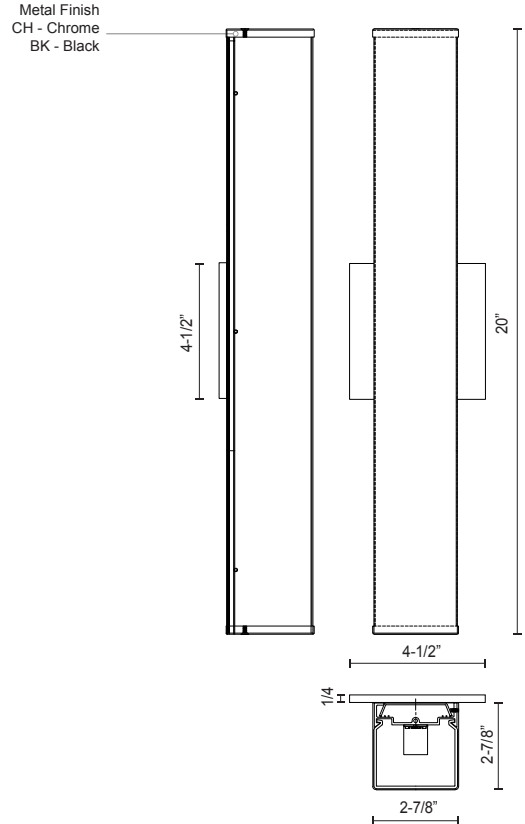


VL62220-BK
Black

SPECIFICATION DETAILS

* For custom options, consult factory for details.

Fixture Dimensions	W20" x H2-7/8" x E2-7/8"
Light Source	LED
Wattage	20W
Total Lumens	1600lm
Delivered Lumens	BK-1189lm; CH-1232lm;
Voltage	120V
Color Temperature	3000K
CRI (Ra)	>90
Optional Color Temps	2700K - 5000K Available, Minimum Order Quantities Apply
LED Rated Life	50,000 hours
Dimming	100% - 10%, ELV Dimmer (Not Included)
Diffuser Details	White Acrylic Diffuser
Location	Damp
Warranty	5 Years
ADA Compliant	Yes
Canopy Dimensions	W4-1/2" x H4-1/2" x E1/4"





TYPE U4
UNIT DINING AREA

Customer Service: 1-800-653-6556 or cs@destinationlighting.com

M-F: 7am-5pm & Sunday: 11am-4pm (PST)

LED Flush Ceiling Light Satin Nickel White Acrylic Shade 14-Inch

Price: \$88.49



Product Number: 640627
Manufacturer: Design Classics Lighting
Model Number: 5014-9030T16-09
Collection: Linen
Manufacturer Finish: Satin Nickel
Manufacturer Shade Color: White
Shade Shape: Drum
Total Wattage: 18.5 w.
Voltage Type: Line Voltage
Average Rated Life1: 50,000 hrs
Dimmable: With LED / CFL Dimmer
Height: 3.5 in.
Width: 14 in.
Wattage: 18.5
Bulb Type: LED
Base Type: Integrated LED
Number Of Bulbs: 1
Bulb Included: Yes
Width Top: 14 in.
Width Bottom: 14 in.

EnergyStar Compliant: Yes
Shade Material: Acrylic
Material: Steel, Plastic
Shipping: UPS Regular
Certification Agencies: ETL, CETL
Damp Location: Yes
Weight: 2.4 lbs
Kelvin Temperature: 3000
Lumens: 1700
Made In America: No
Title 24: Yes

4.8 ★★★★★
 Google
 Customer Reviews

NORDIC EW3105

WALL

PROJECT

TYPE U5
UNIT ENTRIES, PATIOS



EW3105-BK
Black



EW3105-GY
Grey



EW3105-SV
Silver

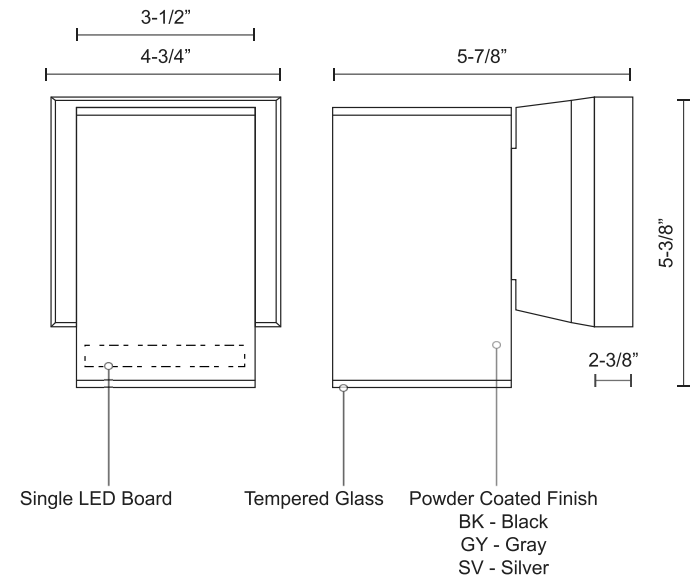
SPECIFICATION DETAILS

* For custom options, consult factory for details.

Fixture Dimensions	W3-1/2" x H5-3/8" x E5-7/8"
Light Source	LED
Wattage	12W
Total Lumens	800lm
Delivered Lumens	BK-714lm; GY-772lm; SV-750lm;
Voltage	120V
Color Temperature	3000K
CRI (Ra)	>90
Optional Color Temps	2700K - 5000K Available, Minimum Order Quantities Apply
LED Rated Life	50,000 hours
Dimming	100% - 10%, ELV Dimmer (Not Included)
Diffuser Details	Tempered Glass
Location	Wet
Warranty	5 Years
Canopy Dimensions	W4-3/4" x H4-3/4" x E2-3/8"

DESCRIPTION

High powered LED exterior single light wall mount fixture, die-cast aluminum housing molded into a cylinder shape with in powder coated black, gray and silver finishes. Concealed inside is our 120V AC LED technology with a tempered glass diffuser radiating light either upward or downward depending how it is mounted on the wall. Certified ETL wet location listed and is available in different sizes and two light options.



KUZCO

19054 28TH AVENUE
SURREY - BC V3Z 6M3
CANADA

WWW.KUZCOLIGHTING.COM

COMMENT

