

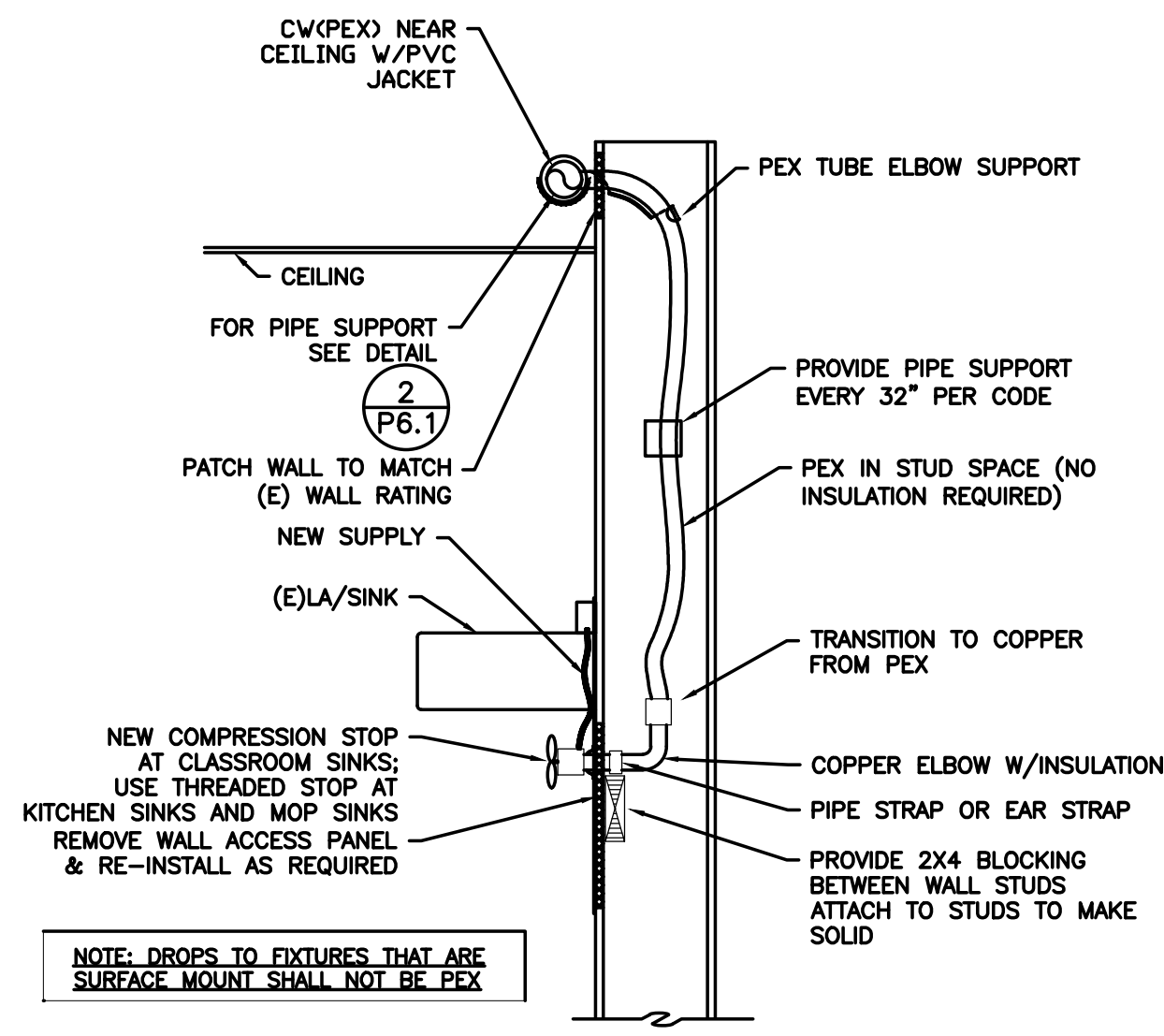
# PLUMBING LEGEND

AF	ABOVE FINISHED FLOOR	---	(CW) COLD WATER
ARCH	ARCHITECTURAL	---	(HW) HOT WATER
B.G.	BELOW GRADE	---	(HWR) HOT WATER RECIRC
BTU	BRITISH THERMAL UNIT	---	(HT) HOT WATER HEAT TRACED
CAP.	CAPACITY	---	(W) BELOW GRADE WASTE
C.I.	CAST IRON	---	(W) ABOVE GRADE WASTE
COMP.	COMPARTMENT	---	(V) VENT
CONT.	CONTINUATION	---	(FDC) FIRE DEPARTMENT CONNECTION
CU.	CUBIC	---	(G) NATURAL GAS
DF	DRINKING FOUNTAIN	---	(F) FIRE WATER
DI	DIAMETER	---	(D) DEMOLISH, (R) RELOCATE
DIA.	DIAMETER	---	(E) EXISTING
ELEV.	ELEVATION	---	NEW WORK
EW	ELECTRIC WATER COOLER	---	△..... PRESSURE/TEMP RELIEF VALVE
FD	FLOOR DRAIN	---	∩..... BUTTERFLY VALVE
FDC	FIRE DEPARTMENT CONNECTION	---	∩..... GAS PRESSURE REGULATING VALVE
F.F.	FINISH FLOOR	---	∩..... TOP CONNECTION
FLG.	FLANGE	---	∩..... BOTTOM CONNECTION
FT	FOOT / FEET	---	∩..... PIPE TURNED UP, PIPE TURNED DOWN
G	GAS	---	∩..... GATE VALVE
GALV.	GALVANIZED	---	∩..... BALL VALVE
GPM	GALLONS PER MINUTE	---	∩..... BALANCING VALVE
G.V.	GATE VALVE	---	∩..... CHECK VALVE
HP	HORSEPOWER	---	∩..... UNION
HR.	HOUR	---	∩..... DOUBLE CHECK ASSEMBLY
I.E.	INVERT ELEVATION	---	∩..... CONNECT TO EXISTING
KW	KILOWATT	---	∩..... CAP
LAV	LAVATORY	---	∩..... TEE
LES	LEAKS	---	∩..... ELBOW
MAX.	MAXIMUM	---	∩..... CLEANOUT
MBH	THOUSANDS OF BTUs PER HOUR	---	
MIN.	MINIMUM	---	
M.J.	MECHANICAL JOINT	---	
N.I.M.	NOT IN MECHANICAL	---	
OS&Y	OUTSIDE STEM & YOKE	---	
PROT.	PROTECTION	---	
PRV	PRESSURE REDUCING VALVE	---	
PSI, PSIG	POUNDS PER SQUARE INCH	---	
P/T	PRESSURE / TEMPERATURE	---	
REQ'D	REQUIRED	---	
RFBP	REDUCED PRESSURE BACKFLOW PREVENTER	---	
RPM	REVOLUTIONS PER MINUTE	---	
TYP.	TYPICAL	---	
UR	URINAL	---	
VTR	VENT THROUGH ROOF	---	
WC	WATER CLOSET	---	
X	EQUIPMENT MARK NUMBER	---	
XX	FIXTURE MARK	---	
XXX	FIXTURE MARK	---	
(E)	EXISTING	---	
(#)	NOTE	---	

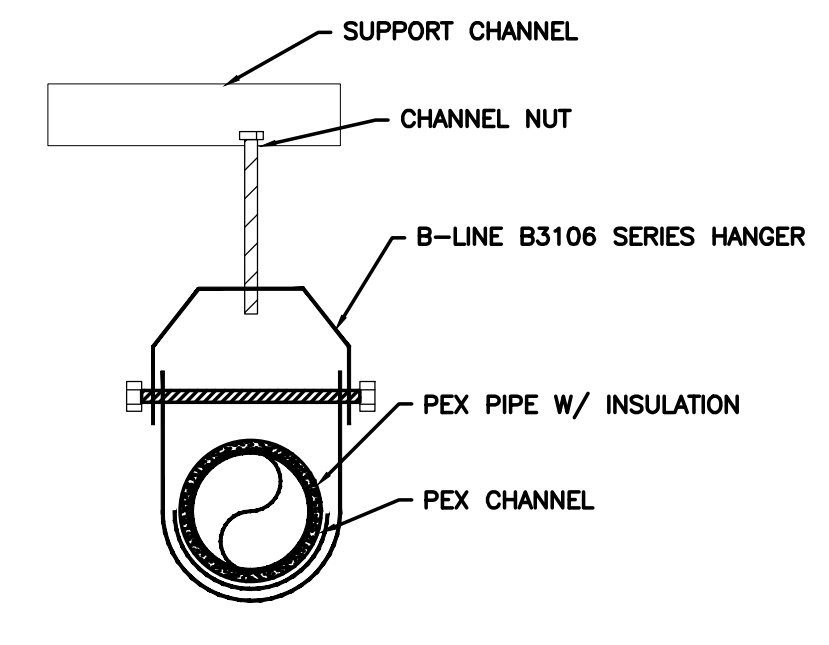
## PLUMBING CONNECTION SCHEDULE

MARK	FIXTURE	W	V	CW	HW	REMARKS
WC	WATER CLOSET	(E)	(E)	1"	---	REPIPE (E) UNIT SEE SPECS FOR REQUIREMENTS
LV	LAVATORY	(E)	(E)	1/2"	1/2"	REPIPE (E) UNIT SEE SPECS FOR REQUIREMENTS
WF	WASH FOUNTAIN	(E)	(E)	1/2"	1/2"	REPIPE (E) UNIT SEE SPECS FOR REQUIREMENTS
S	SINK	(E)	(E)	1/2"	1/2"	REPIPE (E) UNIT SEE SPECS FOR REQUIREMENTS
DF	DRINKING FOUNTAIN	(E)	(E)	1/2"	---	REPIPE (E) UNIT SEE SPECS FOR REQUIREMENTS
S	SINK	(E)	(E)	1/2"	1/2"	REPIPE (E) UNIT SEE SPECS FOR REQUIREMENTS
SS	SERVICE SUMP (MOP SINK)	(E)	(E)	1/2"	1/2"	REPIPE (E) UNIT SEE SPECS FOR REQUIREMENTS
OD-1	OVERFLOW DRAIN	SIZED ON DRAWINGS				JAY R SMITH 1010
ON-1	OVERFLOW NOZZLE	SIZED ON DRAWINGS				JAY R SMITH 1770

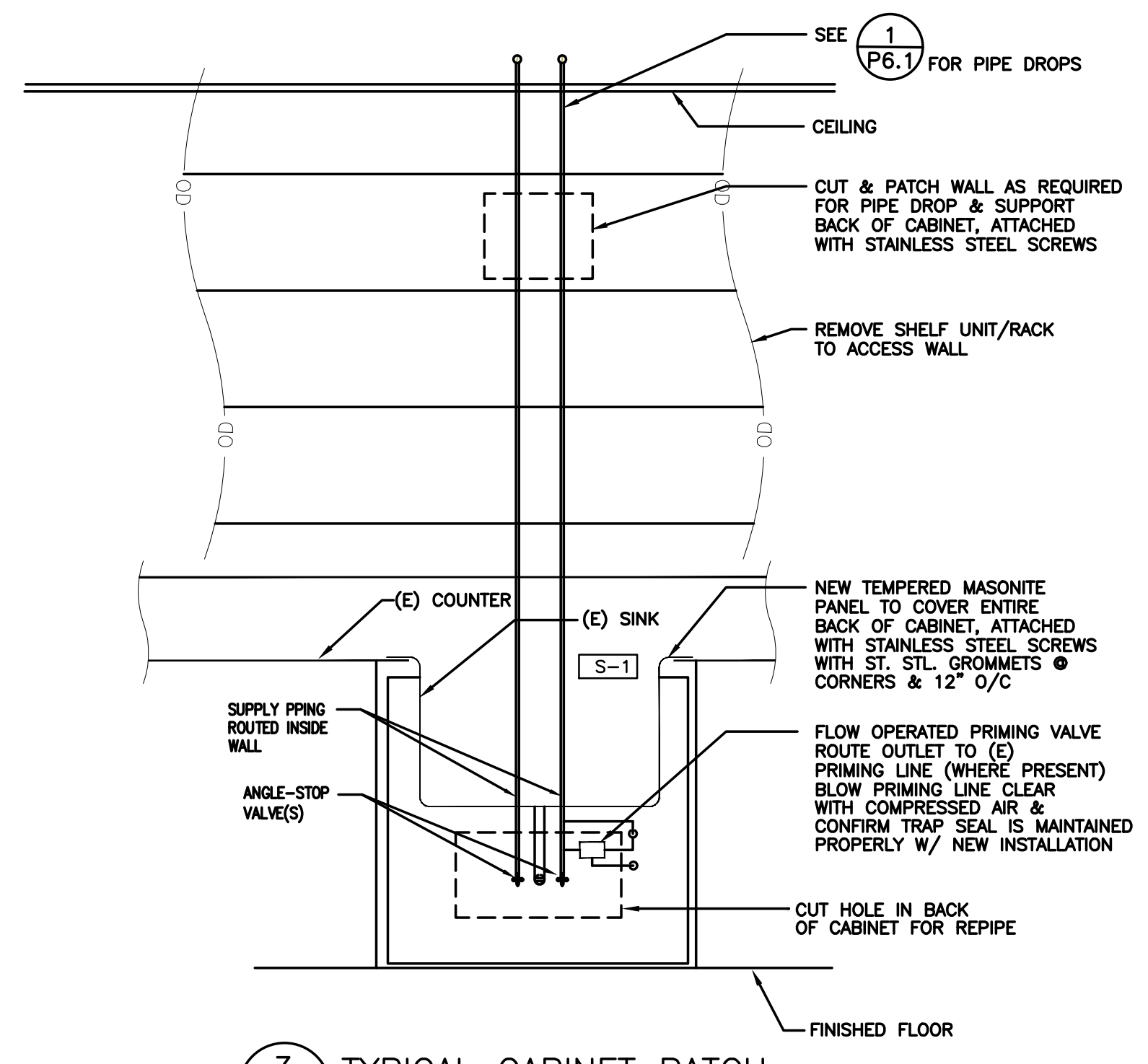
NOTES:



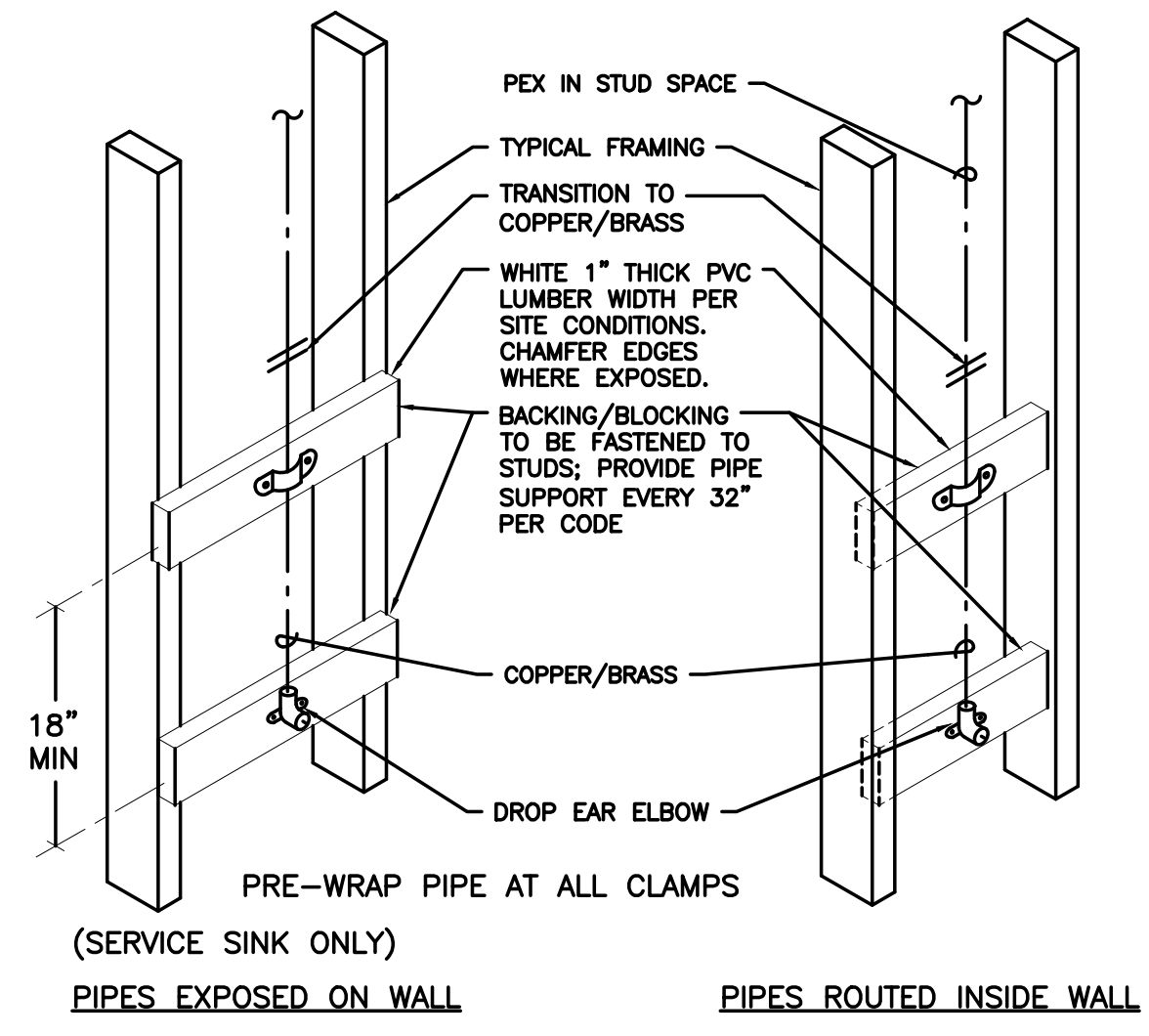
1 TYPICAL PEX DROP DETAIL  
SCALE: DETAIL



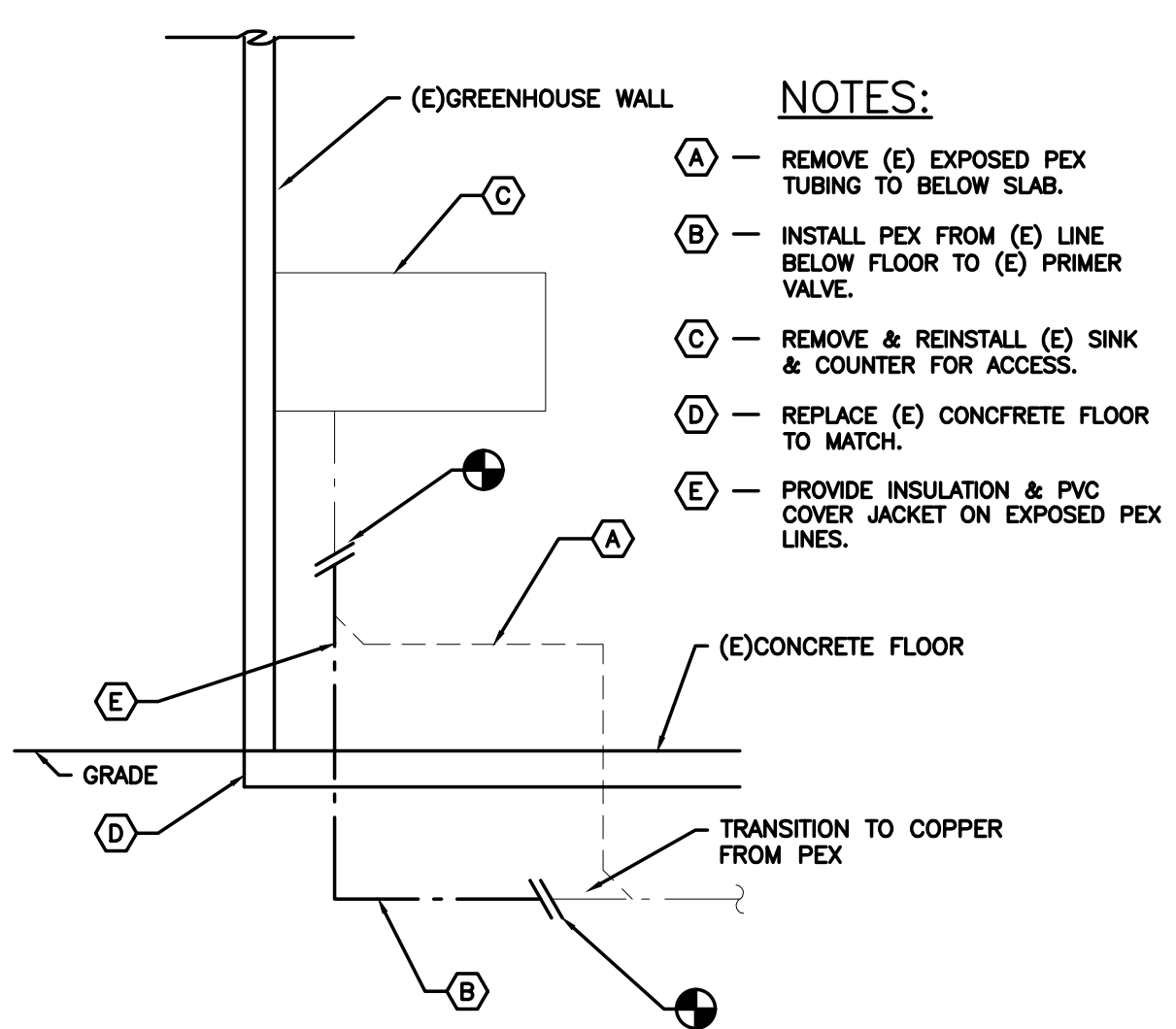
2 PEX SUPPORT DETAIL  
SCALE: DETAIL



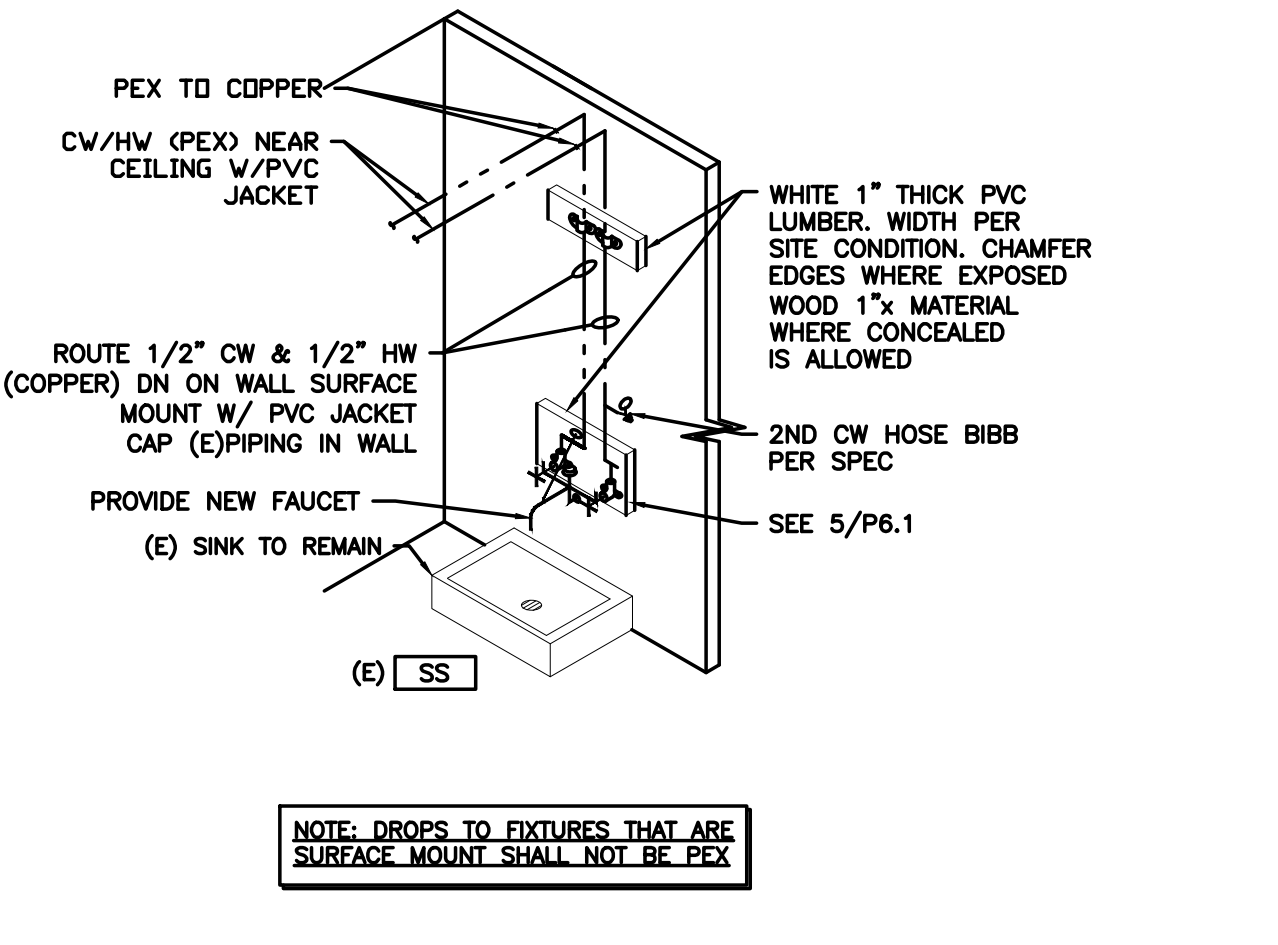
3 TYPICAL CABINET PATCH  
SCALE: DETAIL



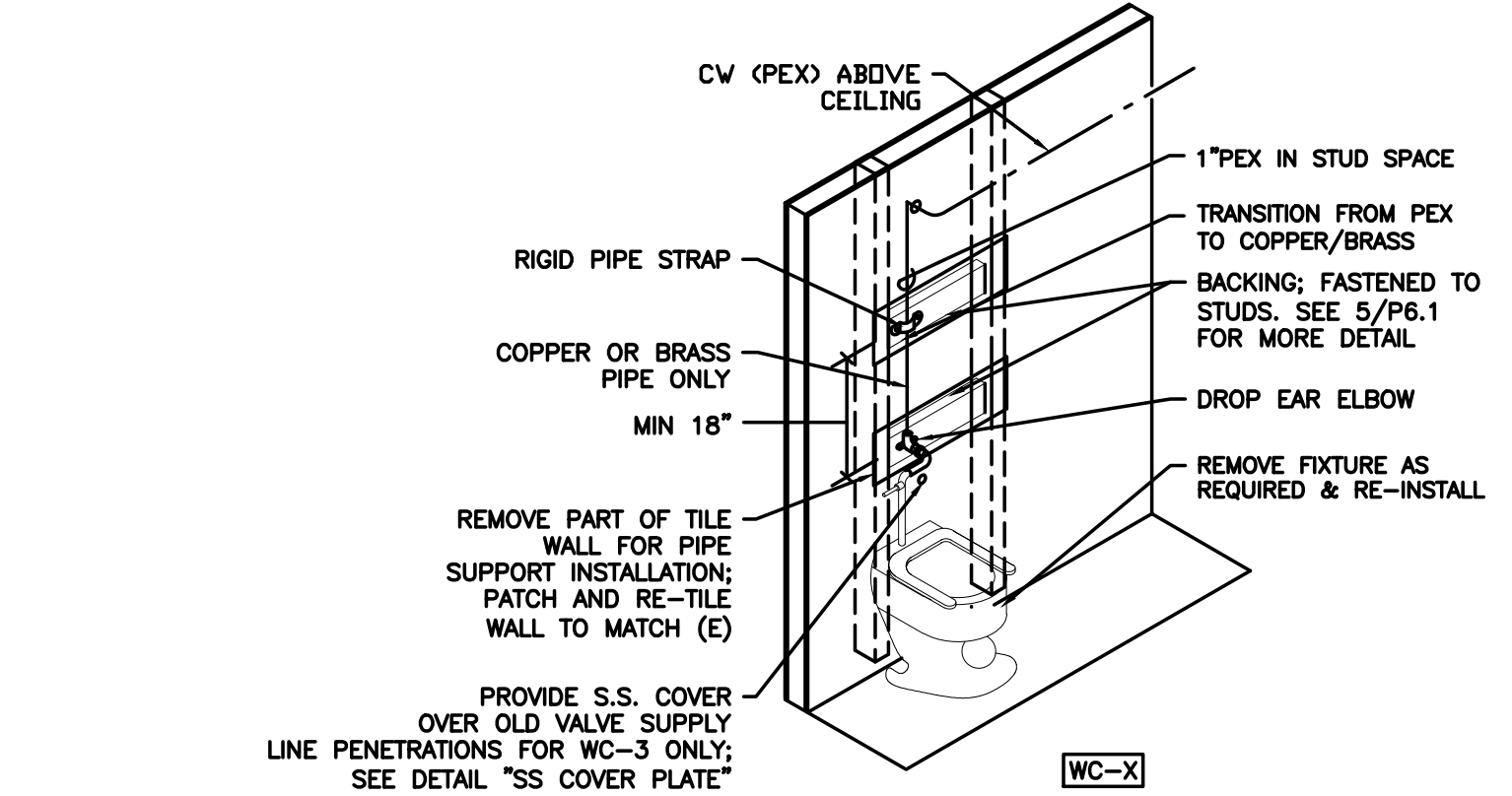
4 CONCEALED TOILET PIPING DETAIL  
SCALE: DETAIL



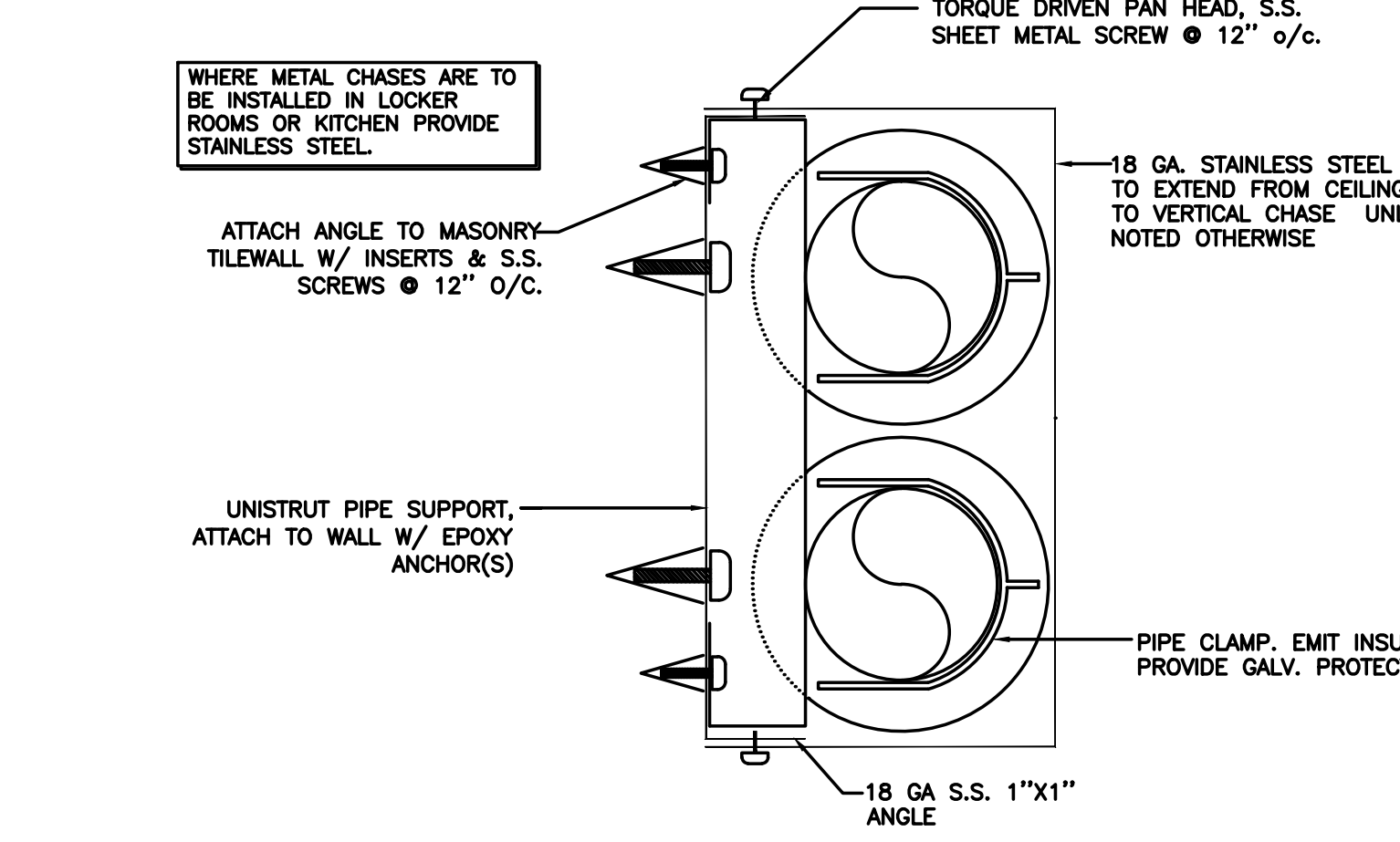
5 TYPICAL PIPING SUPPORT DETAIL  
SCALE: DETAIL



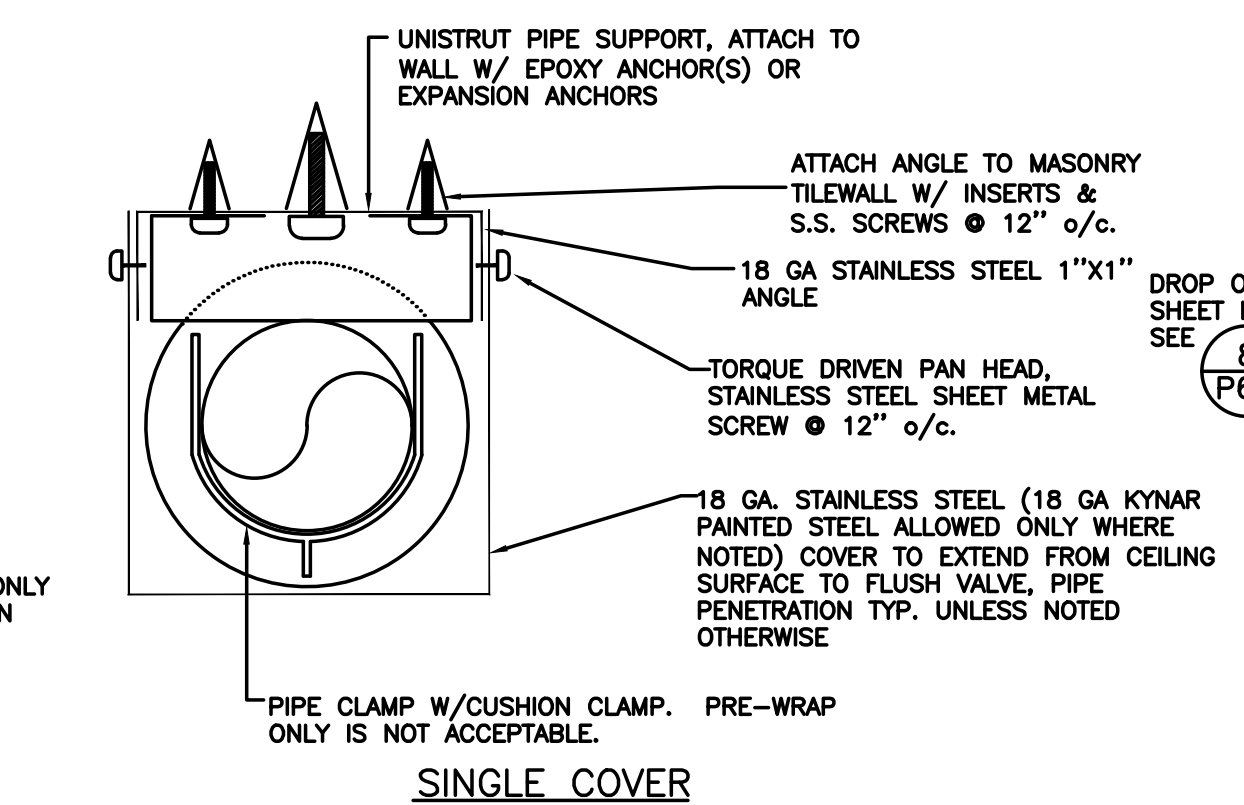
6 GREENHOUSE WATER LINE  
SCALE: DETAIL



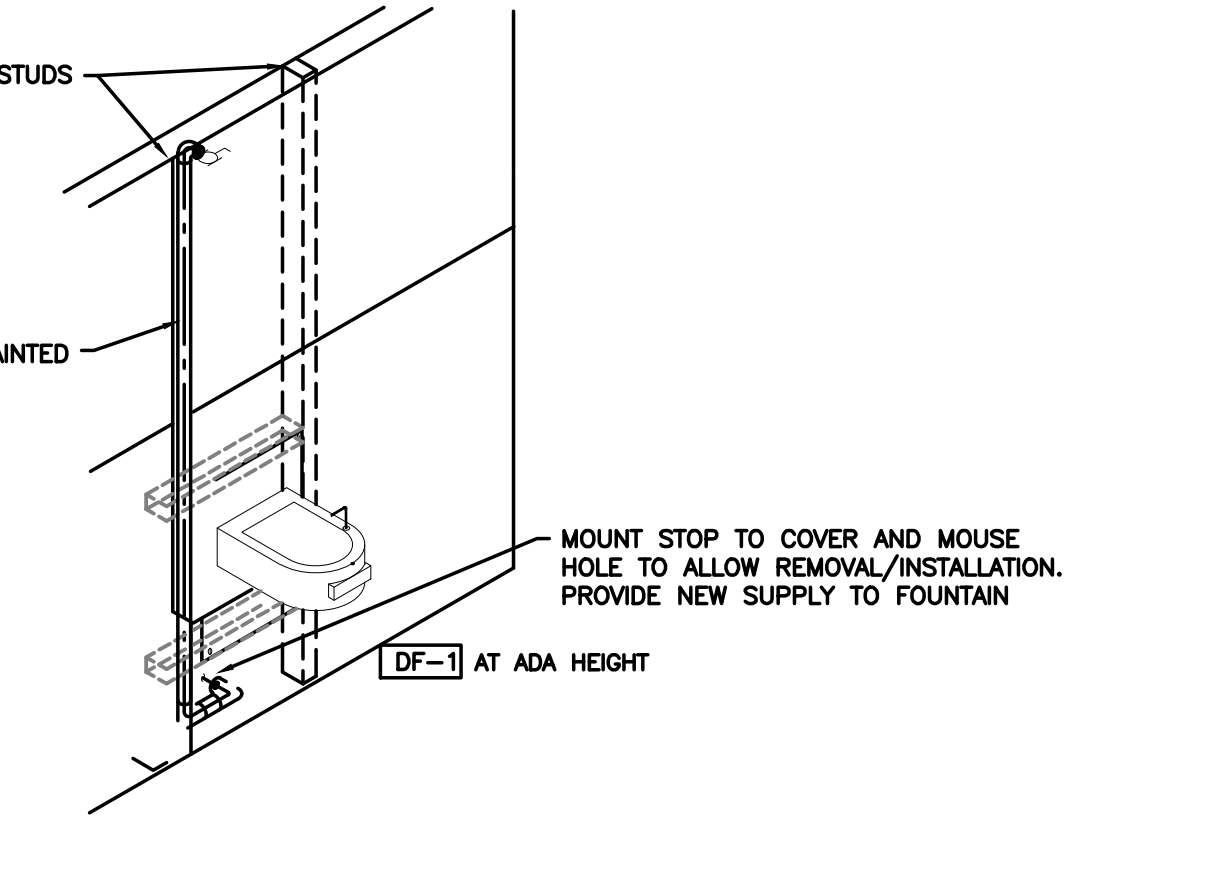
7 TYPICAL MOP SINK PIPING DETAIL  
SCALE: DETAIL



8 SS/PAINTED METAL PIPE COVER VERTICAL  
SCALE: DETAIL



9 DF-1 PIPING DETAIL  
SCALE: DETAIL



10 WASH FOUNTAIN PIPING  
SCALE: DETAIL

ADDENDUM #2  
02/22/2018

MFL Consulting Engineers  
2007 S.E. Ash St.  
Portland, OR 97214  
PHN: (503) 231-0518  
FAX: (503) 231-0677  
WWW.MFL-ENG.COM  
CONTACT: Robert Lewis

A NEW REMODEL PROJECT FOR:

**SHERWOOD HIGH SCHOOL**

16956 SW MEINECKE ROAD  
SHERWOOD, OR

REGISTERED PROFESSIONAL  
SCOTT W. MILLER  
1788  
JULY 25 1985  
EXPIRES: 31DEC18

DRAWN BY:	RWL
CHECKED BY:	SWM
DATE:	1-30-18
TITLE:	PLUMBING DETAILS
SCALE:	NTS

SHEET NO.  
**P-6.1**  
4 OF 4

ENTIRE SHEET ADDED PER ADDENDUM #2