

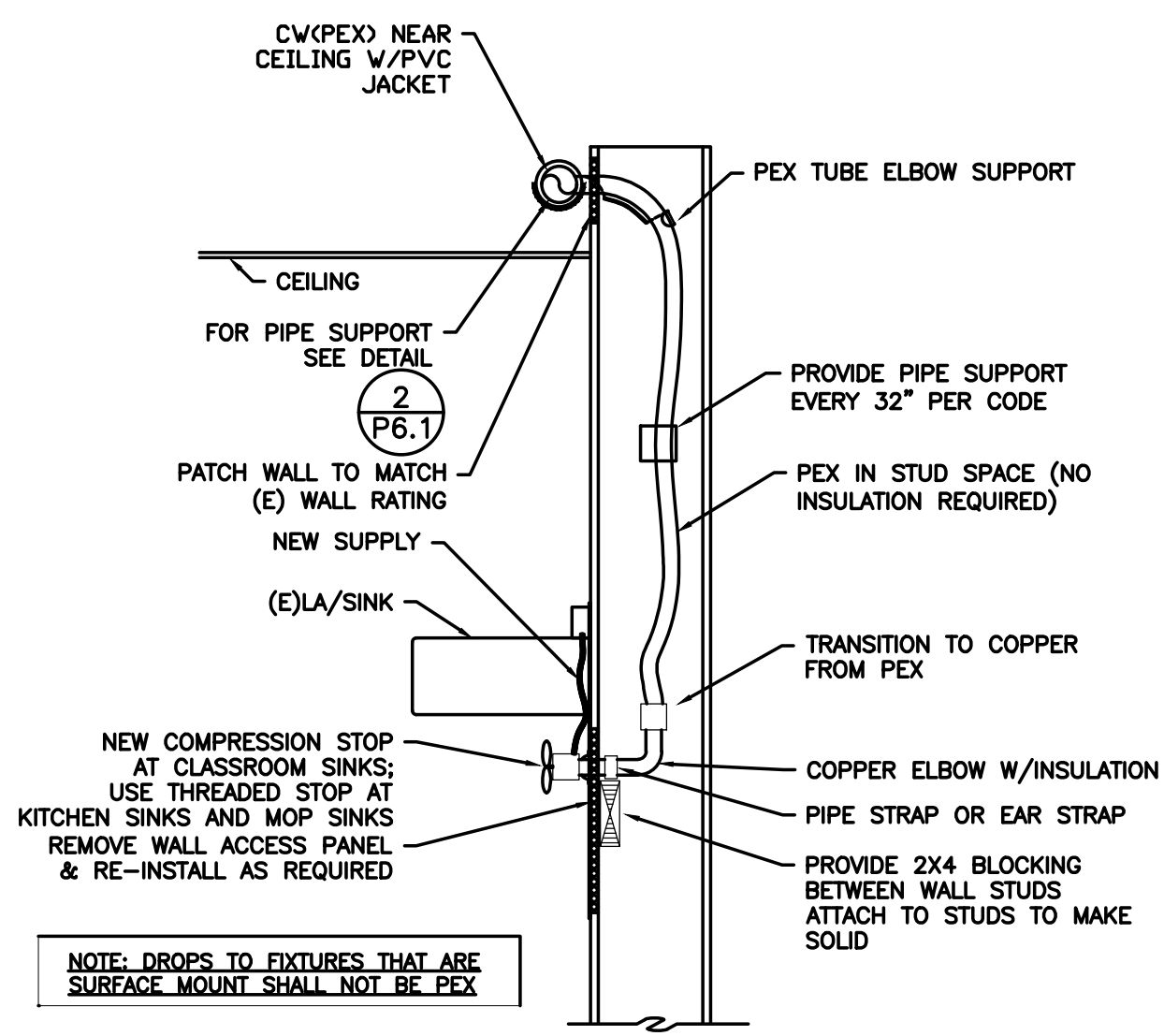
PLUMBING LEGEND

AFF ABOVE FINISHED FLOOR (CW) COLD WATER
ARCH ARCHITECTURAL (HW) HOT WATER
B.G. BELOW GRADE (HWR) HOT WATER RECIRC
BTU BRITISH THERMAL UNIT (HT) HOT WATER HEAT TRACED
CAP. CAPACITY (W) BELOW GRADE WASTE
C.I. CAST IRON (W) ABOVE GRADE WASTE
COMP. COMPARTMENT (V) VENT
CONT. CONTINUATION (FDC) FIRE DEPARTMENT CONNECTION
CU. CUBIC (G) NATURAL GAS
DF DRINKING FOUNTAIN (F) FIRE WATER
DI DIONIZED (WATER) (D) DEMOLISH, (R) RELOCATE
DIA. DIAMETER (E) EXISTING
ELEV. ELEVATION NEW WORK
ENC ELECTRIC WATER COOLER PRESSURE/TEMP RELIEF VALVE
FD FLOOR DRAIN BUTTERFLY VALVE
FDC FIRE DEPARTMENT CONNECTION GAS PRESSURE REGULATING VALVE
F.F. FINISH FLOOR TOP CONNECTION
FLG. FLANGE BOTTOM CONNECTION
FT FOOT / FEET PIPE TURNED UP, PIPE TURNED DOWN
G GAS PROTECTION
GA. GAUGE GATE VALVE
GALV. GALVANIZED BALL VALVE
GPM GALLONS PER MINUTE BALANCING VALVE
G.V. GATE VALVE CHECK VALVE
HP HORSEPOWER UNION
HR. HOUR DOUBLE CHECK ASSEMBLY
I.E. INVERT ELEVATION	
KW KILOWATT	
LAV LAVATORY	
LES LBS	
MAX. MAXIMUM	
MBH THOUSANDS OF BTUs PER HOUR	
MIN. MINIMUM	
M.J. MECHANICAL JOINT	
N.I.M. NOT IN MECHANICAL	
OS&Y OUTSIDE STEM & YOKE	
PROT. PROTECTION	
PRV PRESSURE REDUCING VALVE	
PSI, PSIG POUNDS PER SQUARE INCH	
P/T PRESSURE / TEMPERATURE	
REQ'D REQUIRED	
RPBP REDUCED PRESSURE BACKFLOW PREVENTER	
RPM REVOLUTIONS PER MINUTE	
TYP. TYPICAL	
UR URINAL	
VTR VENT THROUGH ROOF	
WC WATER CLOSET	
X EQUIPMENT MARK NUMBER CONNECT TO EXISTING
XX FIXTURE MARK CAP
XXX EXISTING TEE
(E) EXISTING ELBOW
(F) NOTE CLEANOUT

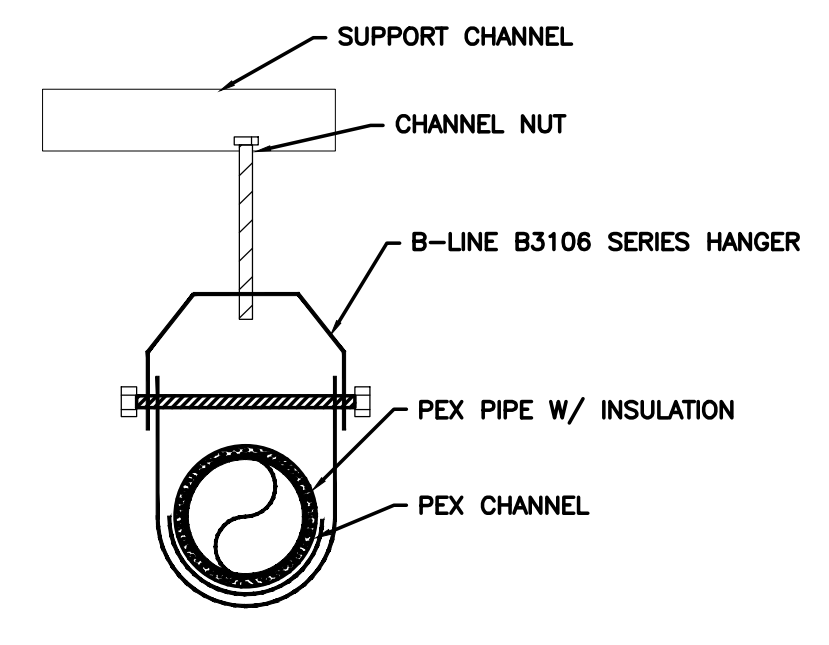
PLUMBING CONNECTION SCHEDULE

MARK	FIXTURE	W	V	CW	HW	REMARKS
WC	WATER CLOSET	(E)	(E)	1"	-	REPIPE (E) UNIT SEE SPECS FOR REQUIREMENTS
LV	LAVATORY	(E)	(E)	1/2"	1/2"	REPIPE (E) UNIT SEE SPECS FOR REQUIREMENTS
WF	WASH FOUNTAIN	(E)	(E)	1/2"	1/2"	REPIPE (E) UNIT SEE SPECS FOR REQUIREMENTS
S	SINK	(E)	(E)	1/2"	1/2"	REPIPE (E) UNIT SEE SPECS FOR REQUIREMENTS
DF	DRINKING FOUNTAIN	(E)	(E)	1/2"	-	REPIPE (E) UNIT SEE SPECS FOR REQUIREMENTS
S-1	SINK	(E)	(E)	1/2"	1/2"	REPIPE (E) UNIT SEE SPECS FOR REQUIREMENTS
SS	SERVICE SLUMP (MOP SINK)	(E)	(E)	1/2"	1/2"	REPIPE (E) UNIT SEE SPECS FOR REQUIREMENTS
OD-1	OVERFLOW DRAIN	SIZED ON DRAWINGS		JAY R SMITH 1010		
ON-1	OVERFLOW NOZZLE	SIZED ON DRAWINGS		JAY R SMITH 1770		

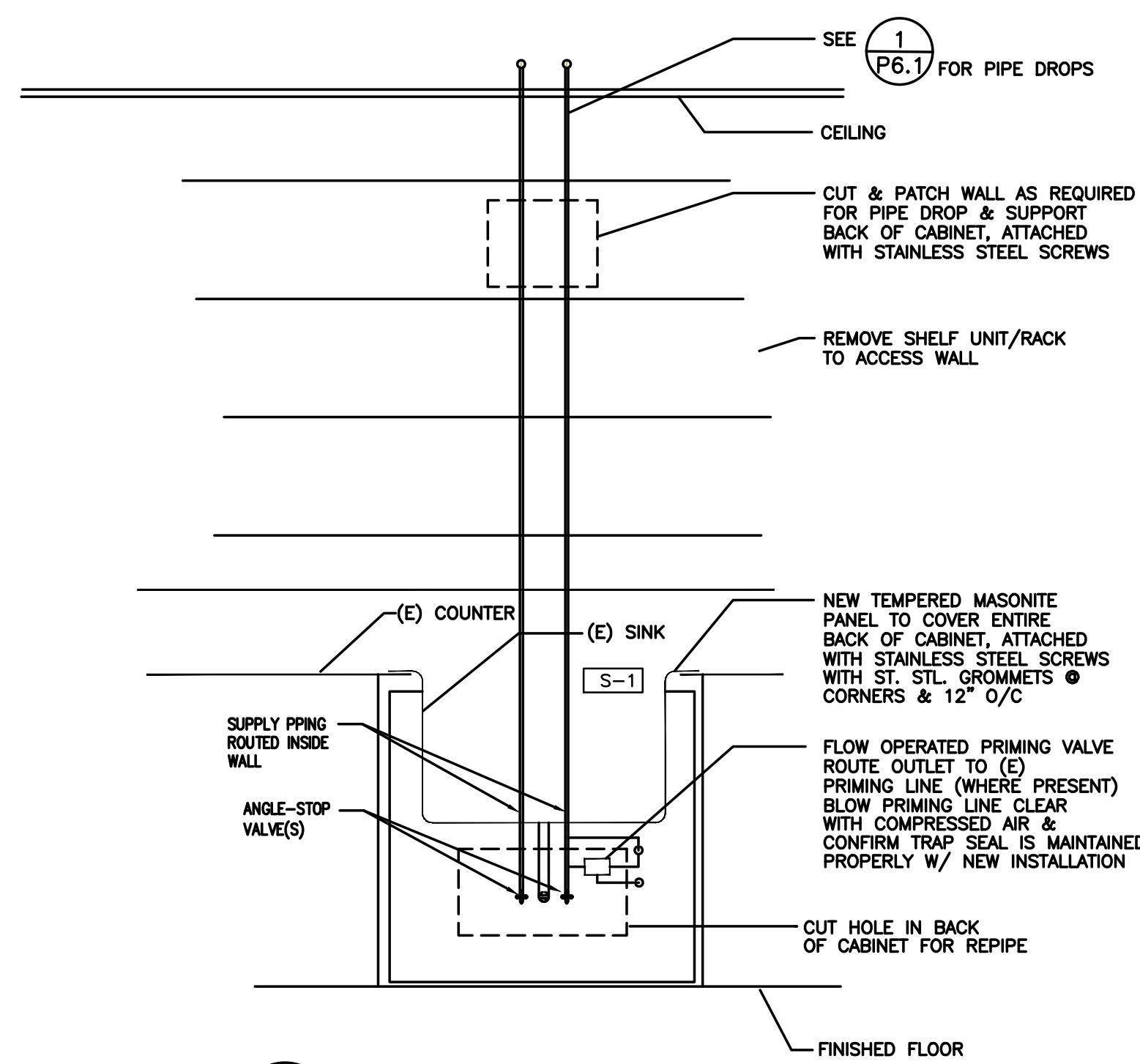
NOTES:
 * PROVIDE NEW STOPS AND SUPPLIES, (E) COPPER PIPE TO REMAIN.



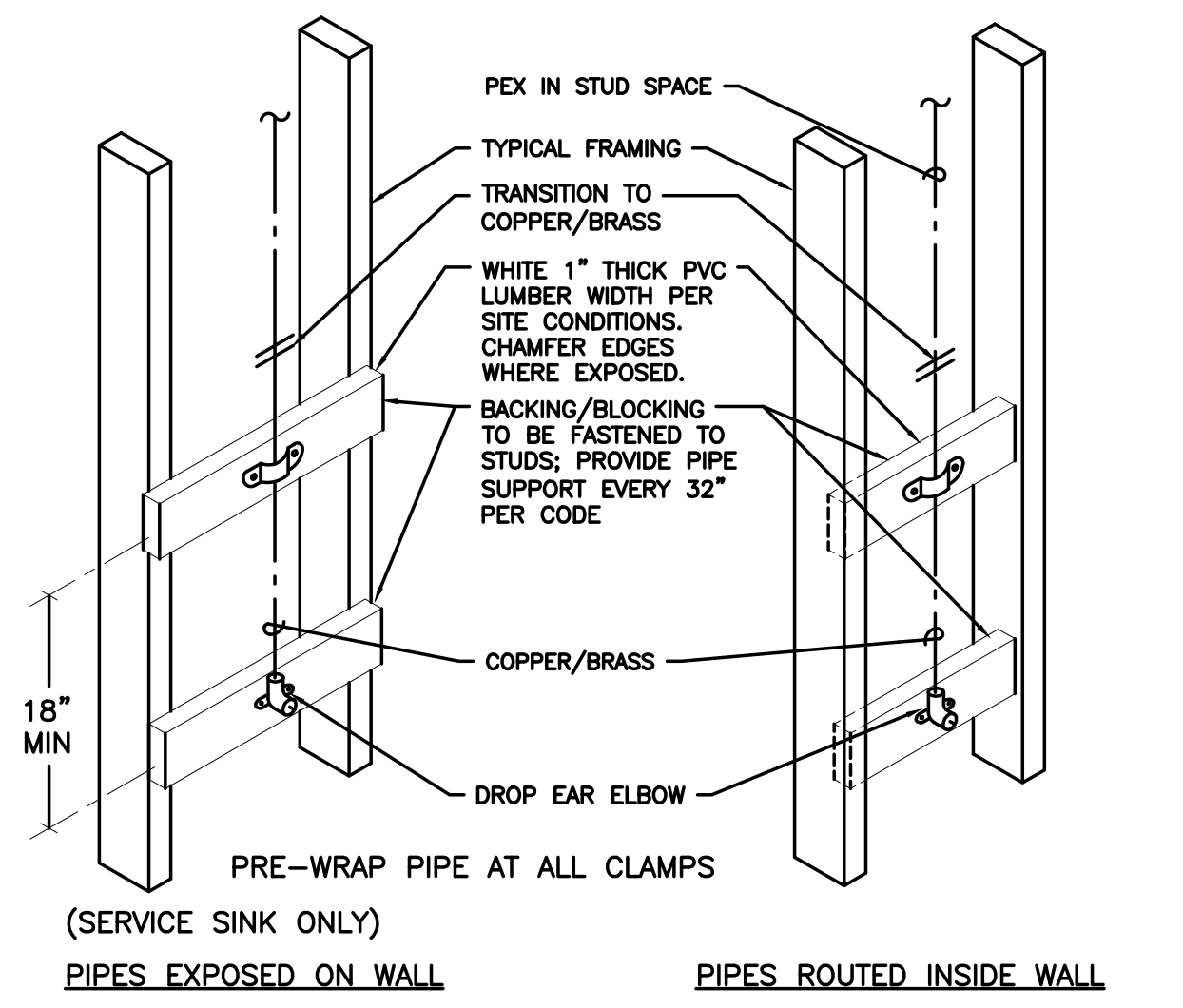
1 TYPICAL PEX DROP DETAIL
 P6.1 SCALE: DETAIL



2 PEX SUPPORT DETAIL
 P6.1 SCALE: DETAIL

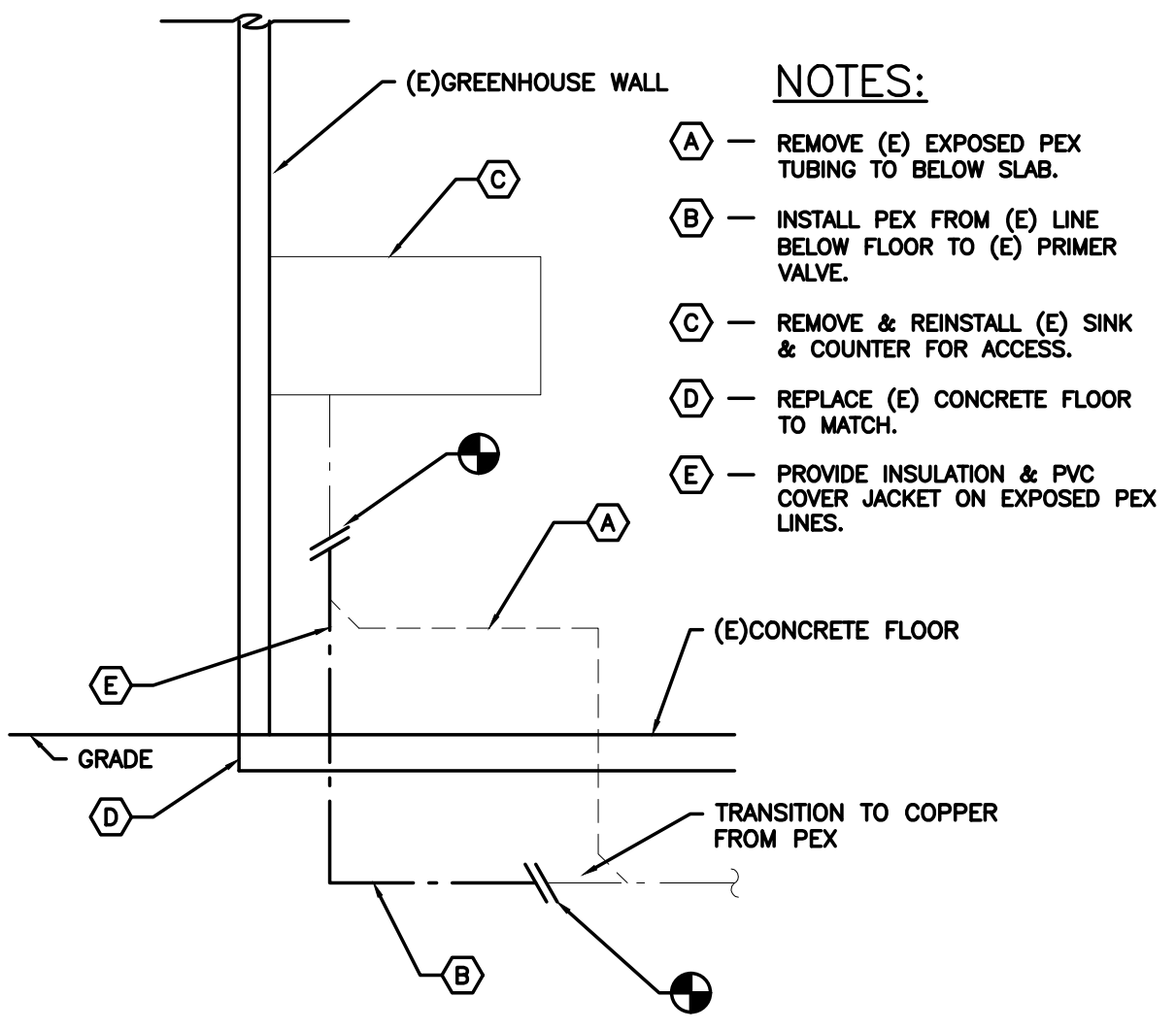


3 TYPICAL CABINET PATCH
 P6.1 SCALE: DETAIL

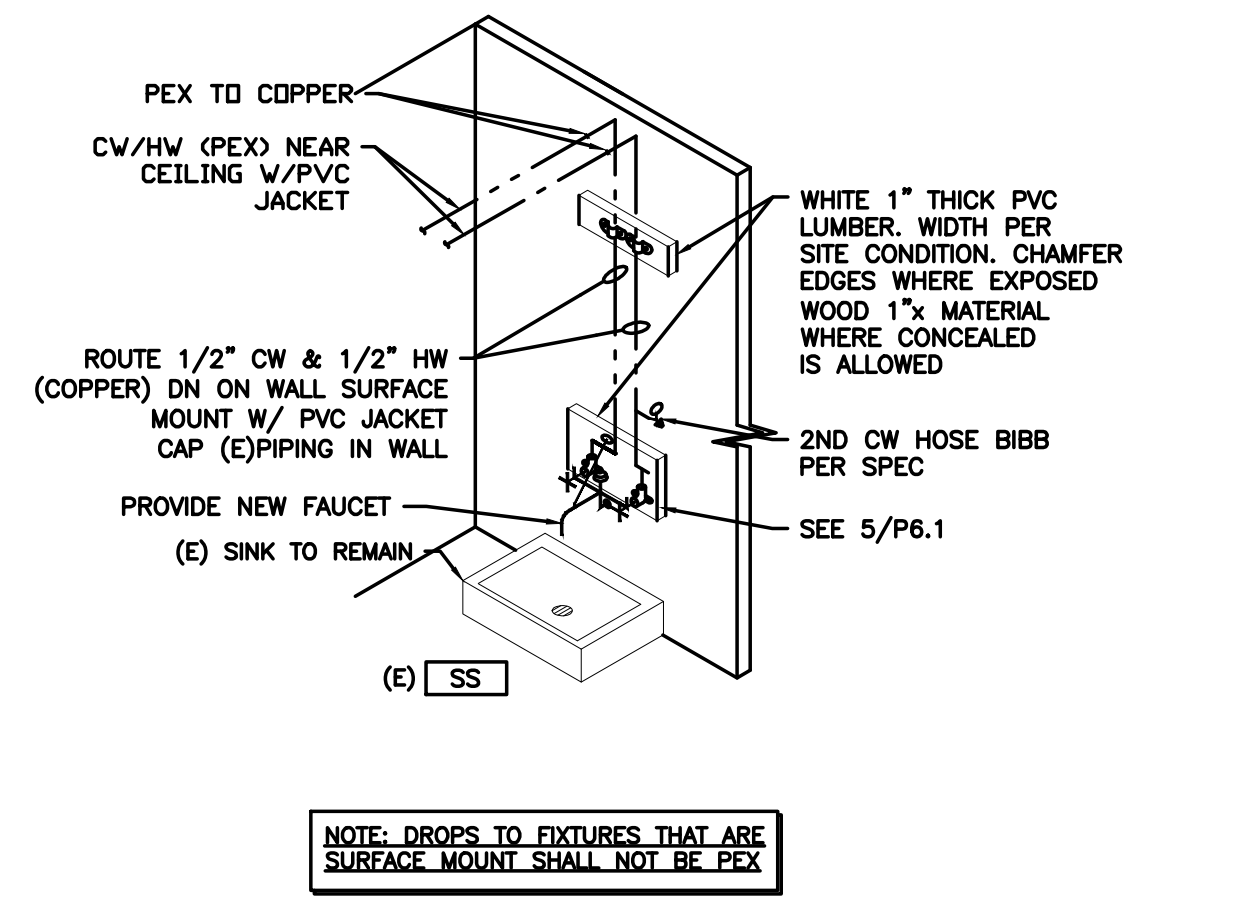


4 CONCEALED TOILET PIPING DETAIL
 P6.1 SCALE: DETAIL

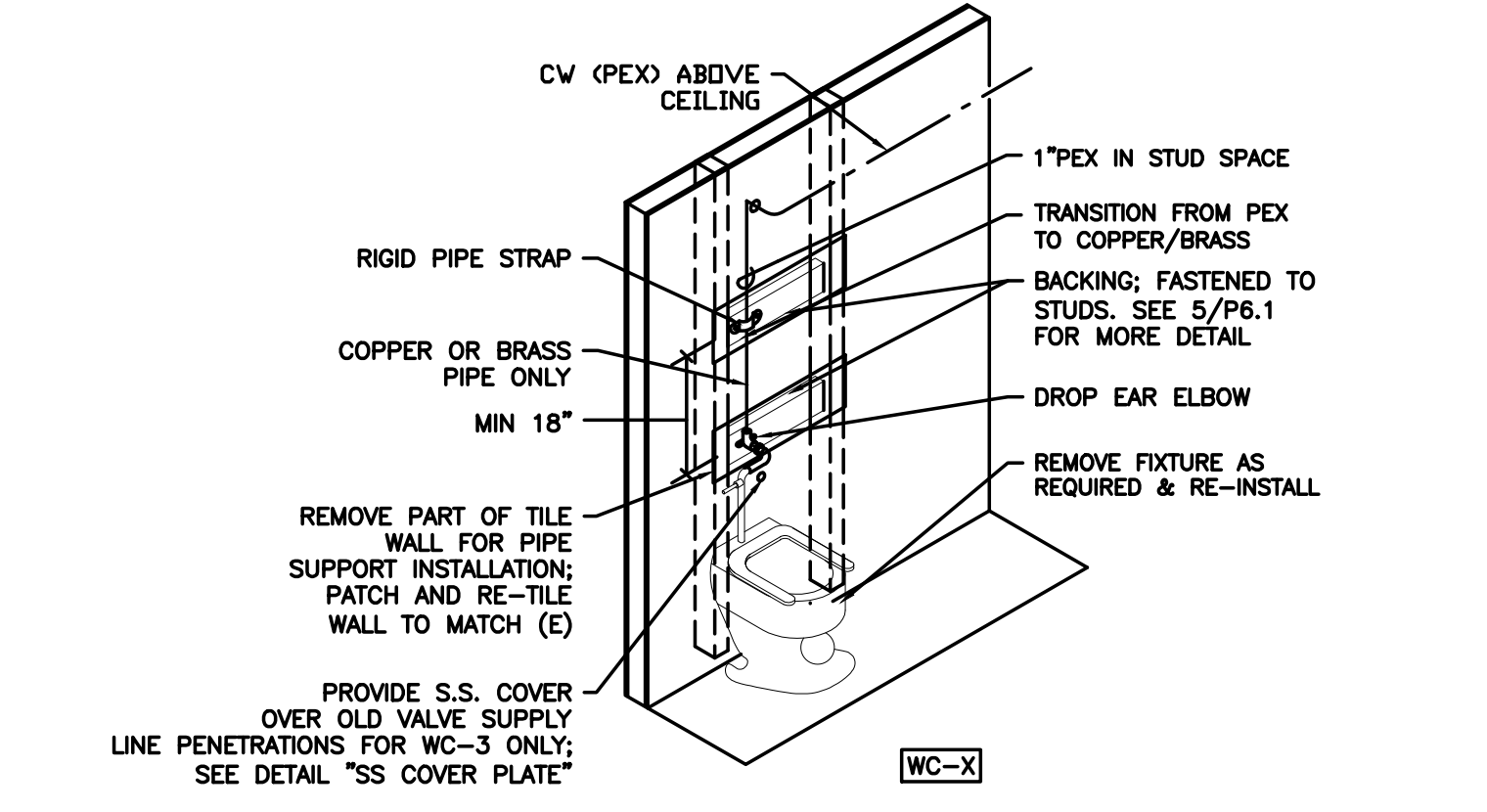
5 TYPICAL PIPING SUPPORT DETAIL
 P6.1 SCALE: DETAIL



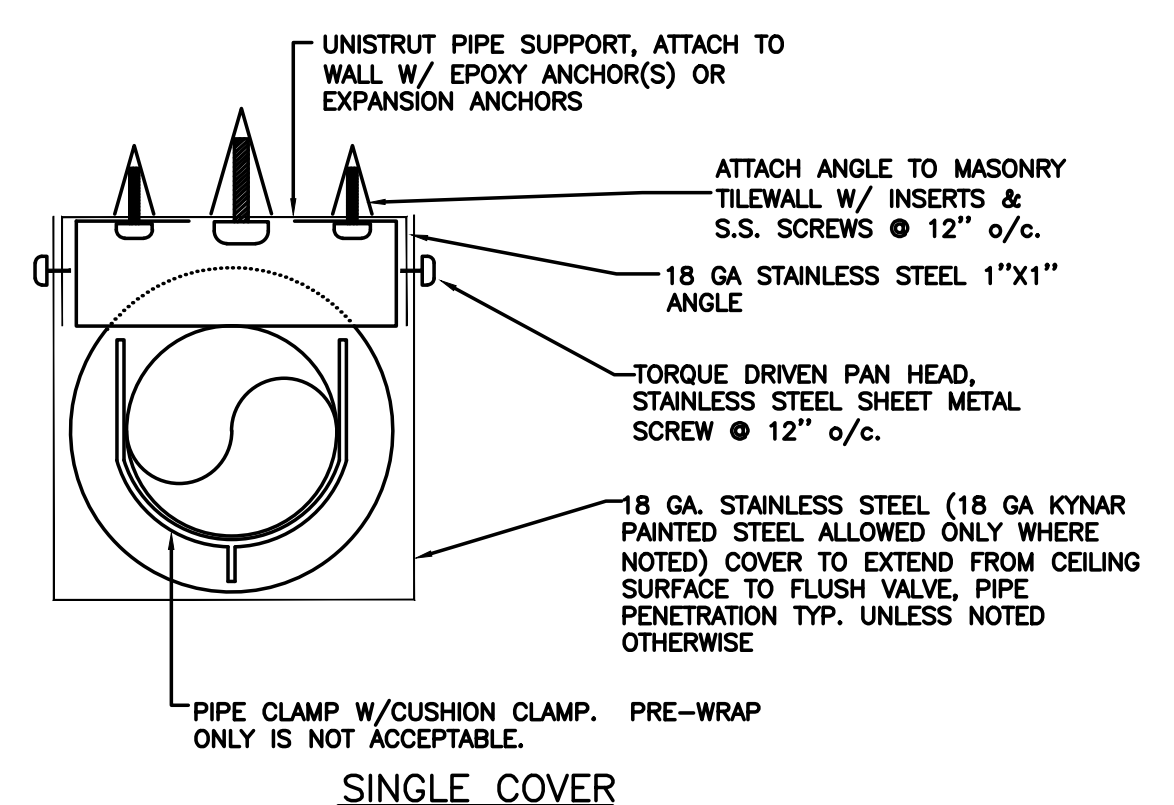
6 GREENHOUSE WATER LINE
 P6.1 SCALE: DETAIL



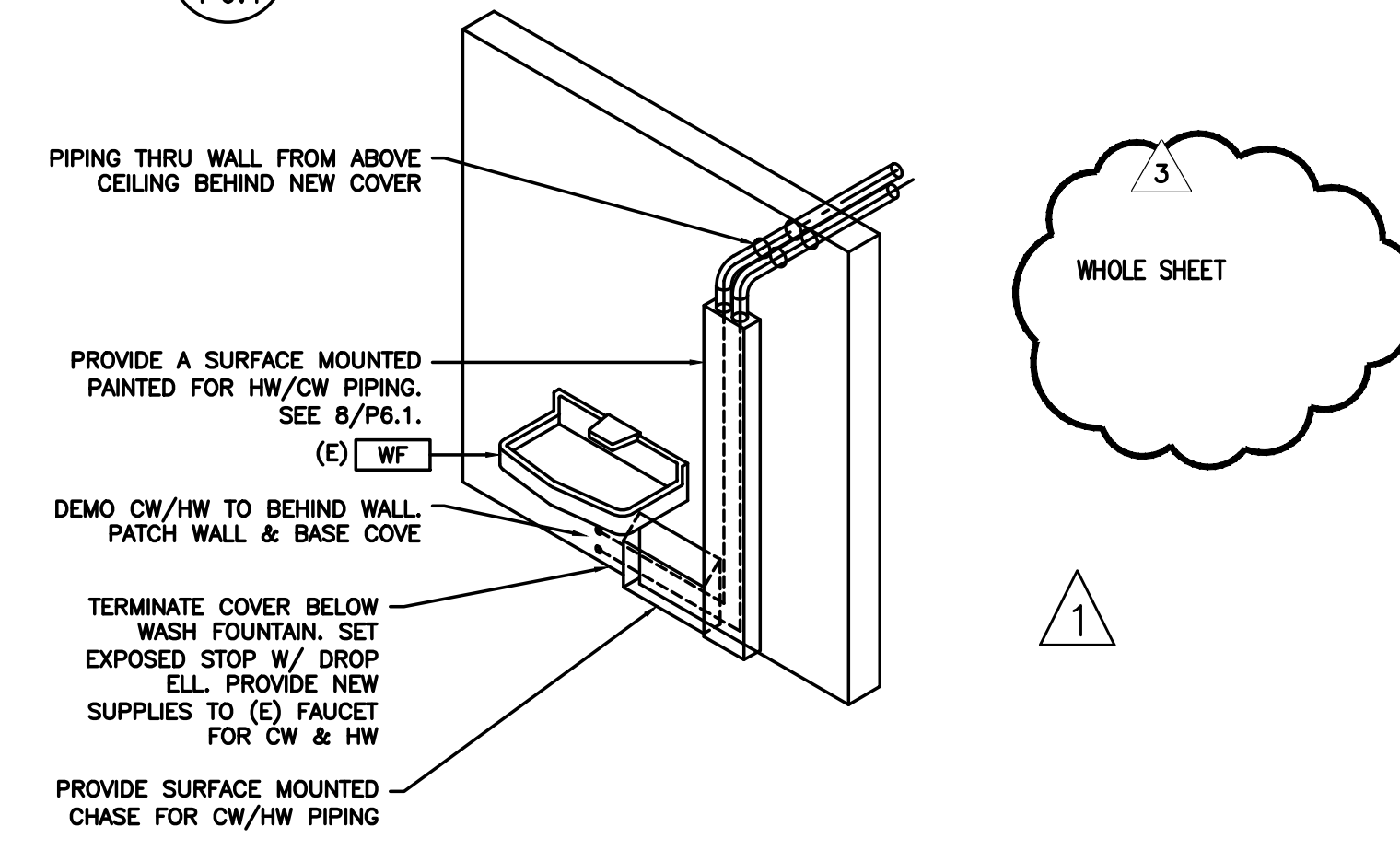
7 TYPICAL MOP SINK PIPING DETAIL
 P6.1 SCALE: DETAIL



8 SS/PAINTED METAL PIPE COVER VERTICAL
 P6.1 SCALE: DETAIL



9 NOT USED
 P6.1 SCALE: DETAIL



10 WASH FOUNTAIN PIPING
 P6.1 SCALE: DETAIL

PAUL L BENTLEY Architect A.I.A. P.C.
 615 SE JACKSON STREET
 PORTLAND, OR 97214
 PH: (503) 234-0518
 FAX: (503) 234-0677
 WWW.MFLA-ENG.COM
 CONTACT: Robert Lewis

1 --ADD #2 2/22/2018
 2 --ADD #3 3/2/2018
 3 --PHASE#2 6.12.18

CONSTRUCTION SET 6.10.18

MFLA Consulting Engineers
 2007 S.E. Ash St.
 Portland, OR 97214
 PH: (503) 234-0518
 FAX: (503) 234-0677
 WWW.MFLA-ENG.COM
 CONTACT: Robert Lewis

A NEW REMODEL PROJECT FOR:

SHERWOOD HIGH SCHOOL

16956 SW MEINECKE ROAD SHERWOOD, OR

REGISTERED PROFESSIONAL
 17894
 JULY 25 1988
 SCOTT W. MILLER
 EXPIRES: 31DEC18

DRAWN BY: RWL
 CHECKED BY: SWM
 DATE: 1-30-18
 TITLE: PLUMBING DETAILS
 SCALE: NTS

SHEET NO:
P-6.1
 4 OF 4