



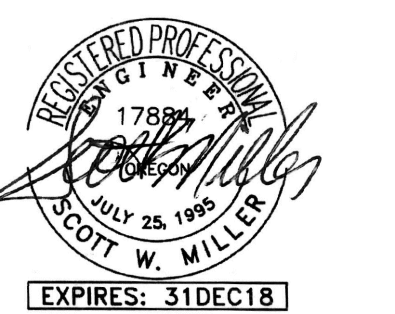
615 SE JACKSON STREET
 PORTLAND, OR 97214
 503.234.8273 OFFICE
 503.234.7560 FAX
 paul@paulbentleyarchitect.com

PAUL L BENTLEY Architect A.I.A. P.C.

2 - ADD #3 3/2/2018
 1 - ADD #2 2/22/2018

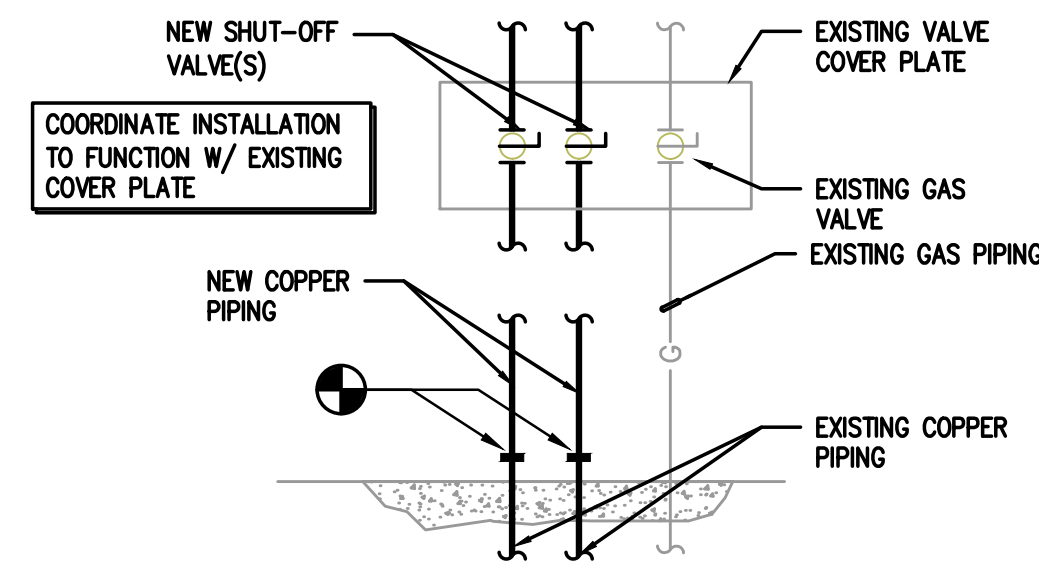
MFI Consulting Engineers
 2007 S.E. Ash St.
 Portland, OR 97214
 PHN: (503) 234-0548
 FAX: (503) 234-0677
 WWW.MFI-ENG.COM
 CONTACT: Robert Lewis

A NEW REMODEL PROJECT FOR:
SHERWOOD HIGH SCHOOL
 16956 SW MEINECKE ROAD SHERWOOD, OR



DRAWN BY:	RWL
CHECKED BY:	SWM
DATE:	1-30-18
TITLE:	PARTIAL FLOOR PLUMBING PLAN
SCALE:	1/8" = 1'-0"

SHEET NO:	P-1.3
	3 OF 4



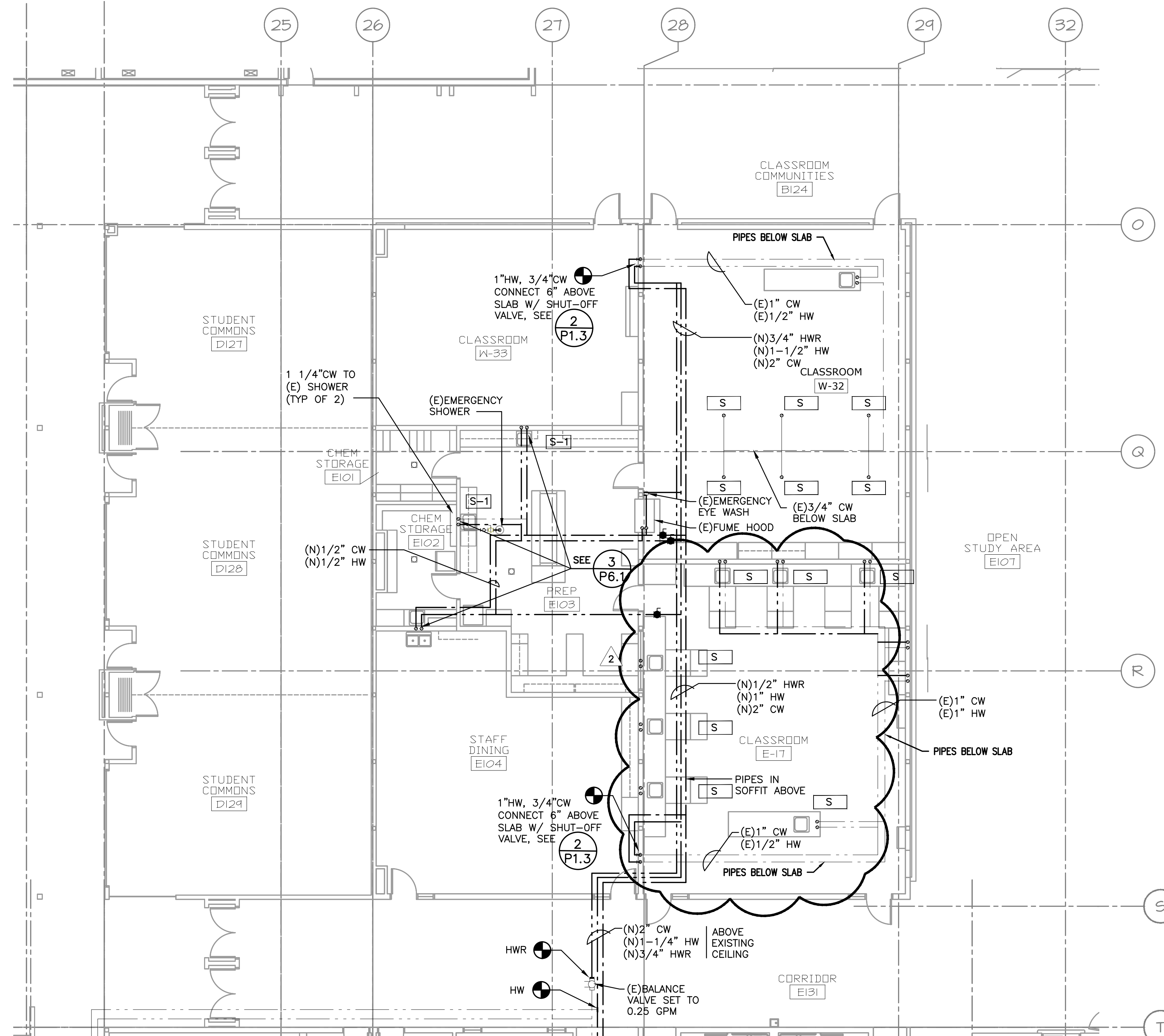
2 PIPE CONNECTION DETAIL
 P1.3 SCALE: NOT TO SCALE

GENERAL NOTES:

- REMOVE EXISTING CW, HW, & HWR PIPING IN CEILING AREA AND CASEWORK AS BACK AS IS ACCESSIBLE. CAP REMAINING PIPE AT BACK OF CABINETS OR ABOVE CEILING. COLD WATER PIPING TO PRIMING VALVES FROM BELOW GRADE TO REM.
- REMAINING CW, HW & HWR PIPING IN INACCESSIBLE SPACES TO BE CAPPED AT BOTH ENDS AND LABELED AS ABANDONED.
- VERIFY ALL EXISTING CONDITIONS RELATIVE TO THE SCOPE OF WORK PRIOR STARTING WORK IN ALL AREAS.
- CONNECTION TO GALV. LINES SHALL BE MADE W/BRASS BALL VALVE OR BRASS NIPPLE WITH DIA/LENGTH RATIO OF AT LEAST 1:8.
- WHERE PVC JACKET IS CALLED FOR, PROVIDE PVC COVER PER SPECS. ON EXPC LINES. PROVIDE PAINTED SUPPORT STRUT (WHITE) W/END CAPS (UNITSTRUT P2860--XX SERIES OR EQUAL). LINES EXPOSED SHALL BE COVERED W/PVC JAC OR S.S. CHASE ONLY, NO EXCEPTIONS. SEE DETAILS FOR WHICH IS TO BE INSTALLED.
- PLUMBING CONTRACTORS ARE TO REMOVE OLD PIPE SUPPORTS NOT USED.
- SUBMIT FOR ALL PERMITS. PERMIT FEES TO BE REIMBURSED TO CONTRACTOR E OWNER AT COST.
- REPLACE STUB-OUT, ANGLE-STOP AND FLEXIBLE CONNECTION.

PLAN NOTES:

- (A) - CONNECT TO EXISTING CLOTHES WASHER SUPPLY.
- (B) - CONNECT TO EXISTING CW SUPPLY TO TRAP PRIMER. PROVIDE NEW PRIMING VALVE. SEE SPECS FOR APPROVED TYPE.
- (C) - PROVIDE OVERFLOW DRAIN AT ROOF. ROUTE OVERFLOW LEADER AS HIGH AS POSSIBLE. ALL EXPOSED PIPE TO BE PAINTED.
- (D) - ROUTE OVERFLOW DRAIN DOWN INSIDE WALL TO OVERFLOW NOZZLE HIGH ON WALL.
- (E) - REPLACE EXISTING GALVANIZED PIPE FROM EXISTING SHOWER VALVE TO EXISTING SHOWER HEAD VALVE AND HEAD TO BE RE-USED. PROVIDE PIPE SUPPORT PER SPECIFICATIONS.
- (F) - ROUTE PIPING EXPOSED ON WALL TO EXISTING MIXING VALVE.
- (G) - REMOVE AND REINSTALL (E) COPPER WATER LINES IN THIS AREA FOR STRUCTURAL CONTRACTORS TO ADD SEISMIC CLIPS @ TOP OF WALL. COORDINATE W/ FRAMER FOR EXTENT OF WORK.
- (H) - EXISTING FLOOR DRAIN(S) IN MECHANICAL MEZZANINE ABOVE. SNAKE DRAIN, REPLACE COVER, TEST PRIMER AND CONFIRM OPERATION. REPORT ANY DEFICIENCIES TO ARCHITECT.



1 PARTIAL FLOOR PLUMBING PLAN
 P1.3 SCALE: 1/8"=1'-0"

