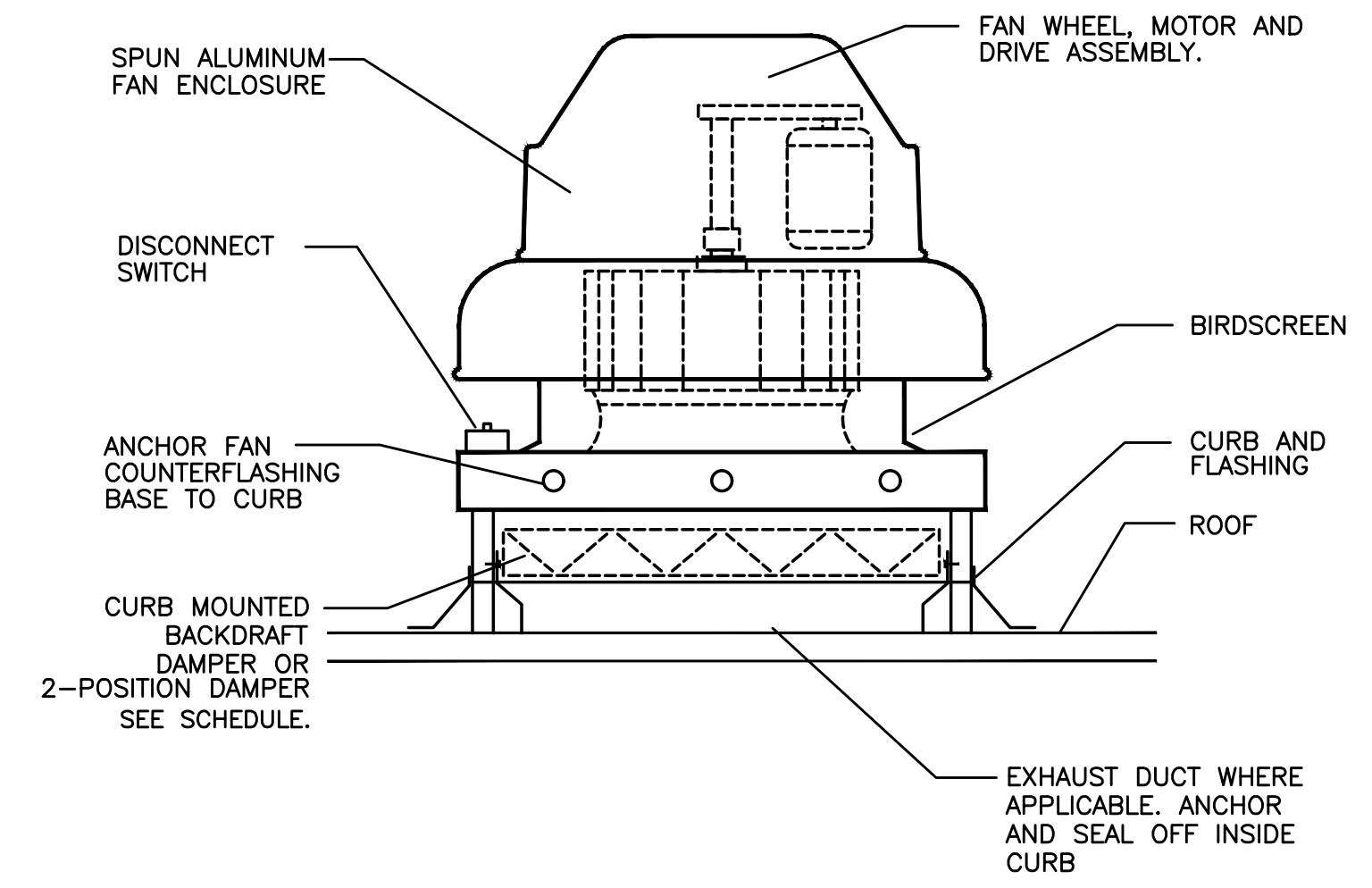
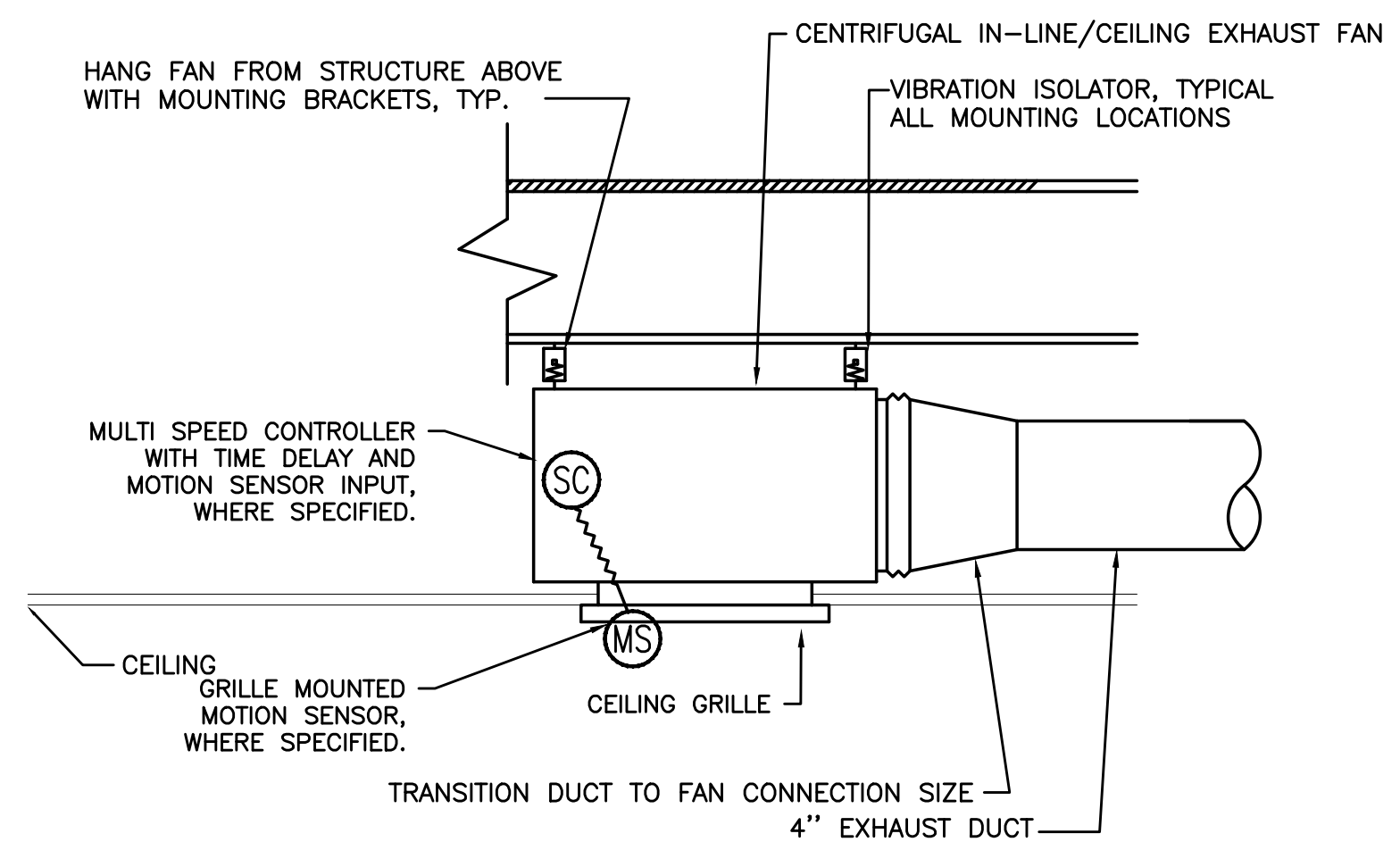


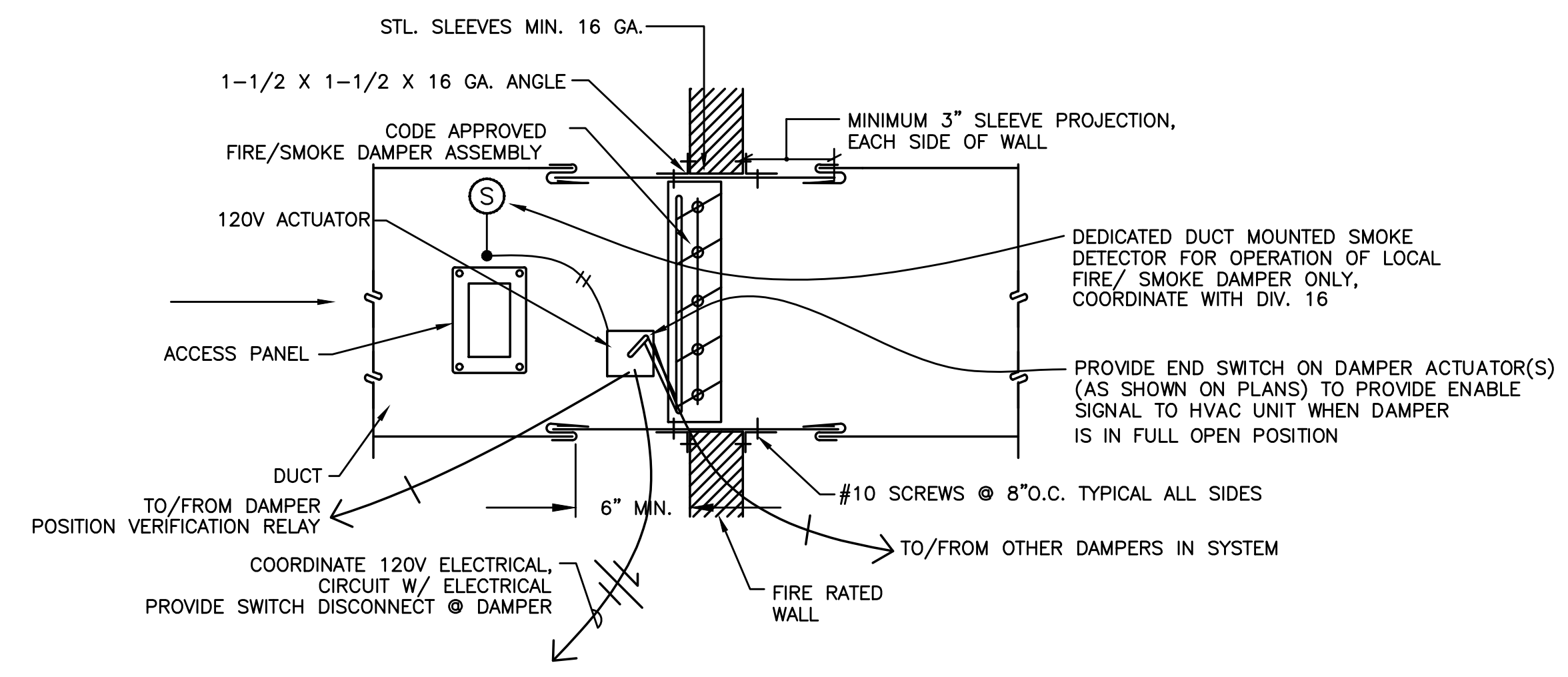
PRELIMINARY  
NOT FOR  
CONSTRUCTION



1 EXHAUST FAN  
M6.3 DETAIL



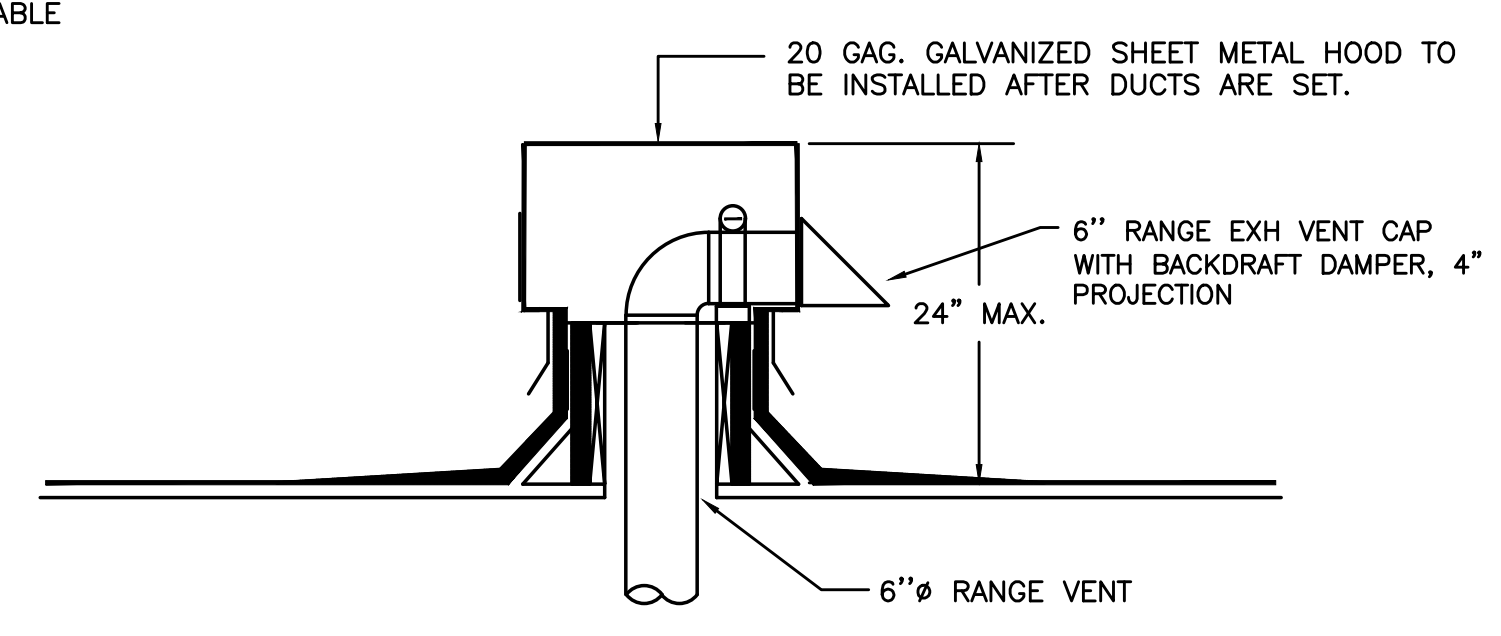
2 RESTROOM EXHAUST FAN  
M6.3 SCALE:DETAIL



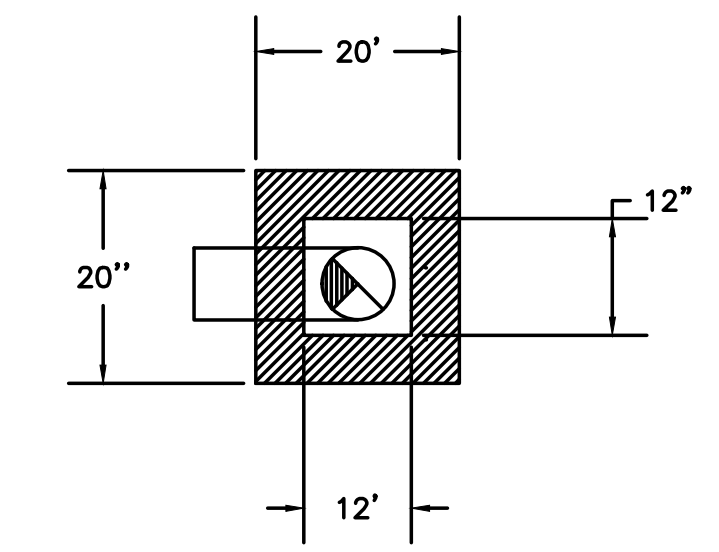
3 FIRE/SMOKE DAMPER W/SMOKE DETECTOR  
M6.3 NOT TO SCALE

**NOTE:**  
PROVIDE ALL REQUIRED CONTROL WIRING TO ACCOMPLISH:  
**FIRE/SMOKE DAMPER** - FIRE/SMOKE DAMPER TO CLOSE UPON ACTIVATION OF LOCAL SMOKE DETECTOR  
**EXHAUST DUCTS/FANS** - FIRE/SMOKE DAMPER TO CLOSE UPON SHUTDOWN OF ASSOCIATED EXHAUST FAN.  
**SUPPLY OR RETURN DUCTS/FANS** - FIRE/SMOKE DAMPER TO CLOSE UPON SHUTDOWN OF ASSOCIATED AIR HANDLING UNIT.

**GENERAL NOTES:**  
PROVIDE ACCESS IN CEILING OR WALL FOR DAMPER AND SMOKE DETECTOR  
SEE ELECTRICAL DRAWINGS FOR WIRING INSTALLATION



SECTION VIEW



TYPICAL PLAN VIEW (1-6"Ø DUCT)

4 TYPICAL ROOFTOP OUTLET HOOD  
M6.3 NOT TO SCALE

KING+PARKS MULTI-FAMILY RESIDENCES

PROJECT SITE: NE Martin Luther King Jr. Boulevard & N Rosa Parks Way  
OWNER: Portland Community Reinvestment Initiatives Inc. (PCRI)  
6329 NE Martin Luther King Jr. Blvd. Portland, Oregon 97211

MBA MERRYMAN BARNES ARCHITECTS 4713 N ALBINA AVE. SUITE 304 PORTLAND, OREGON 97217 P. 503.222.2793 WWW.MERRYMANBARNESARCHITECTS.COM

PROJECT NO. 16-0602	ISSUE DATE 06.23.2017
REVISIONS	

SHEET  
MECHANICAL  
DETAILS  
**M6.3**  
NOT FOR CONSTRUCTION  
PRICING SET  
© MERRYMAN BARNES ARCHITECTS, INC.

MERRYMAN BARNES ARCHITECTS  
Consulting Engineers  
2007 S.E. Ash St.  
Portland, OR 97214  
PHN: (503) 234-0548  
FAX: (503) 234-0677  
WWW.MFIA-ENG.COM  
CONTACT: Takako Baker