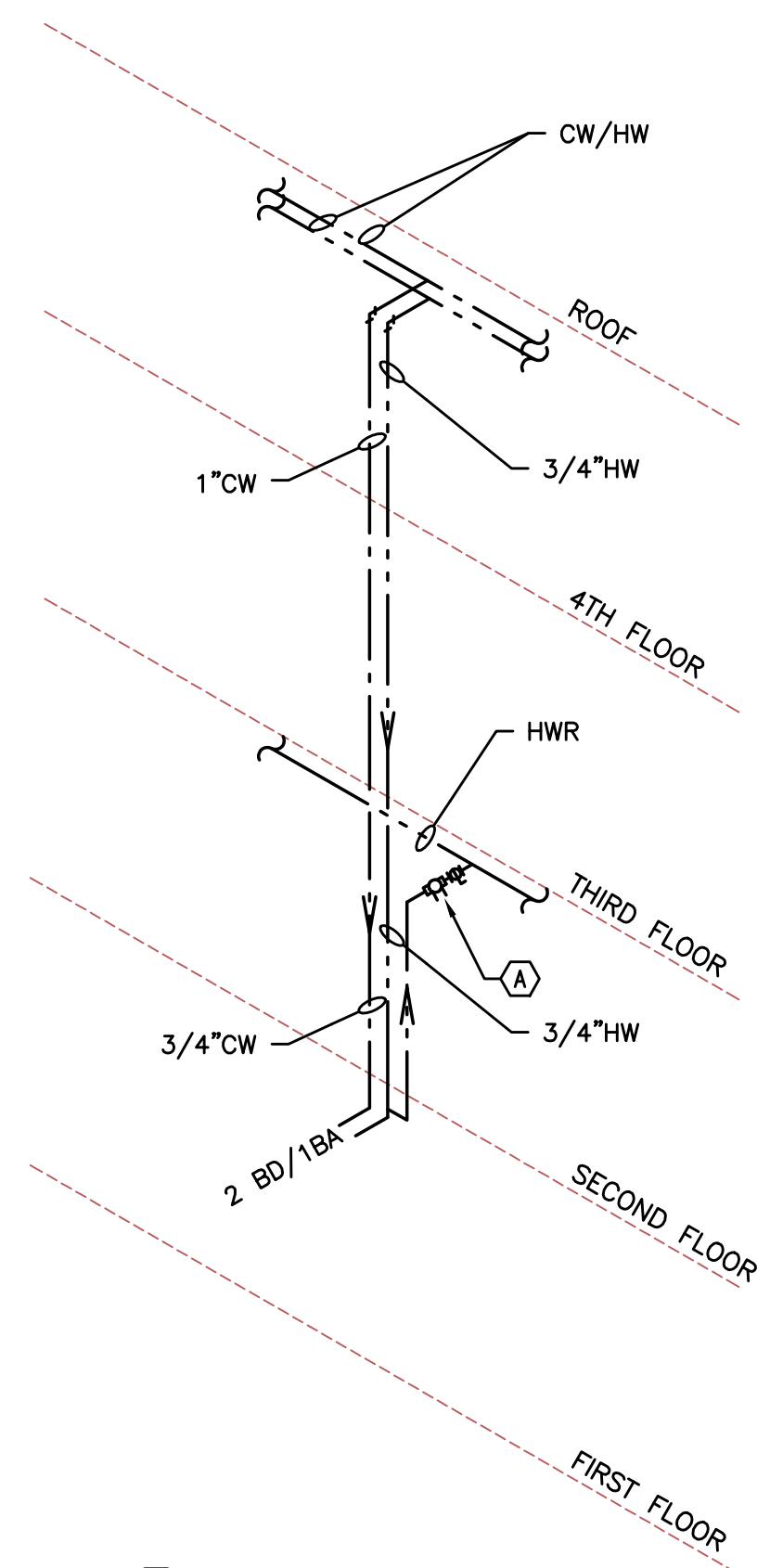
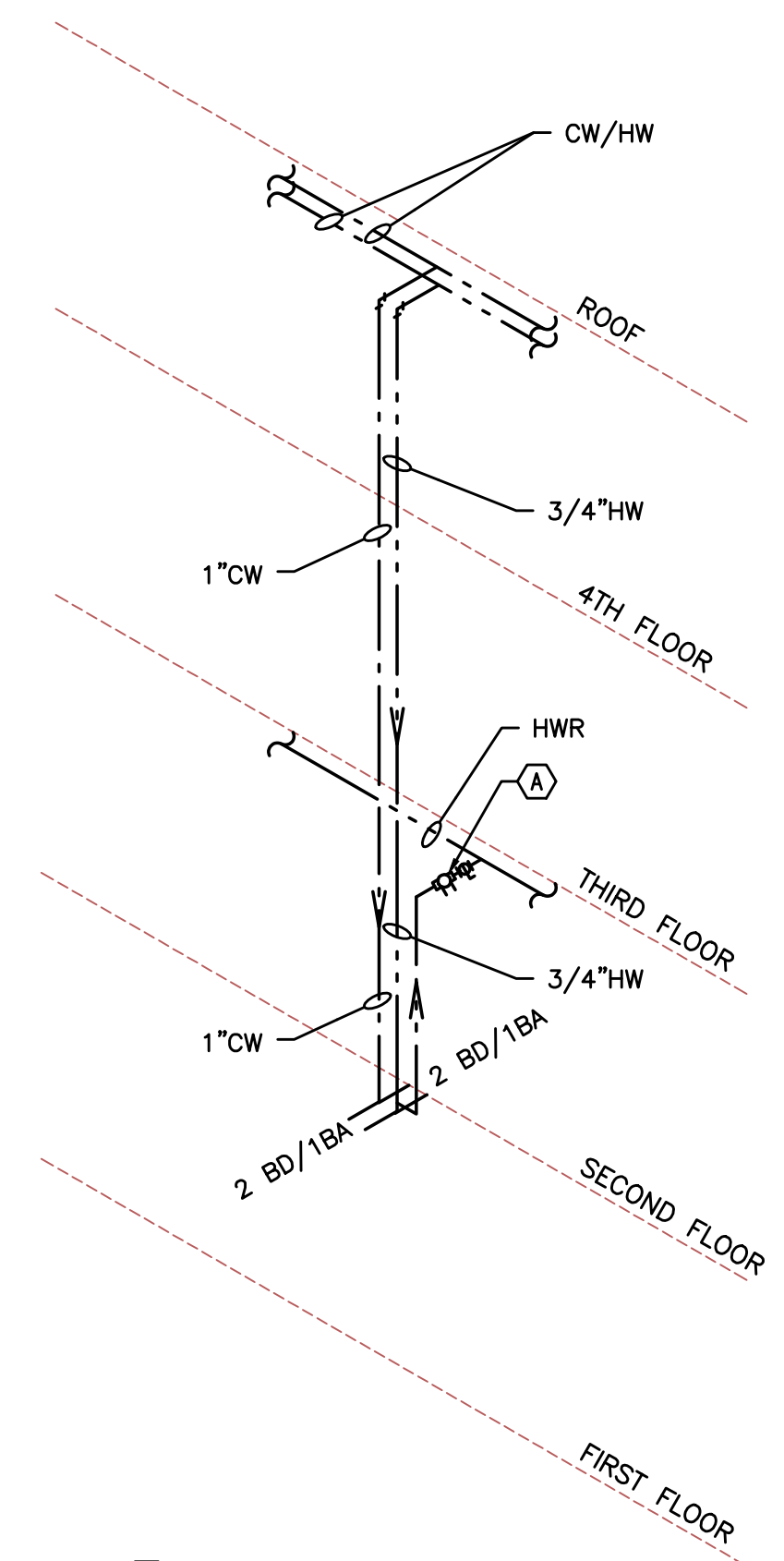


PRELIMINARY  
NOT FOR  
CONSTRUCTION



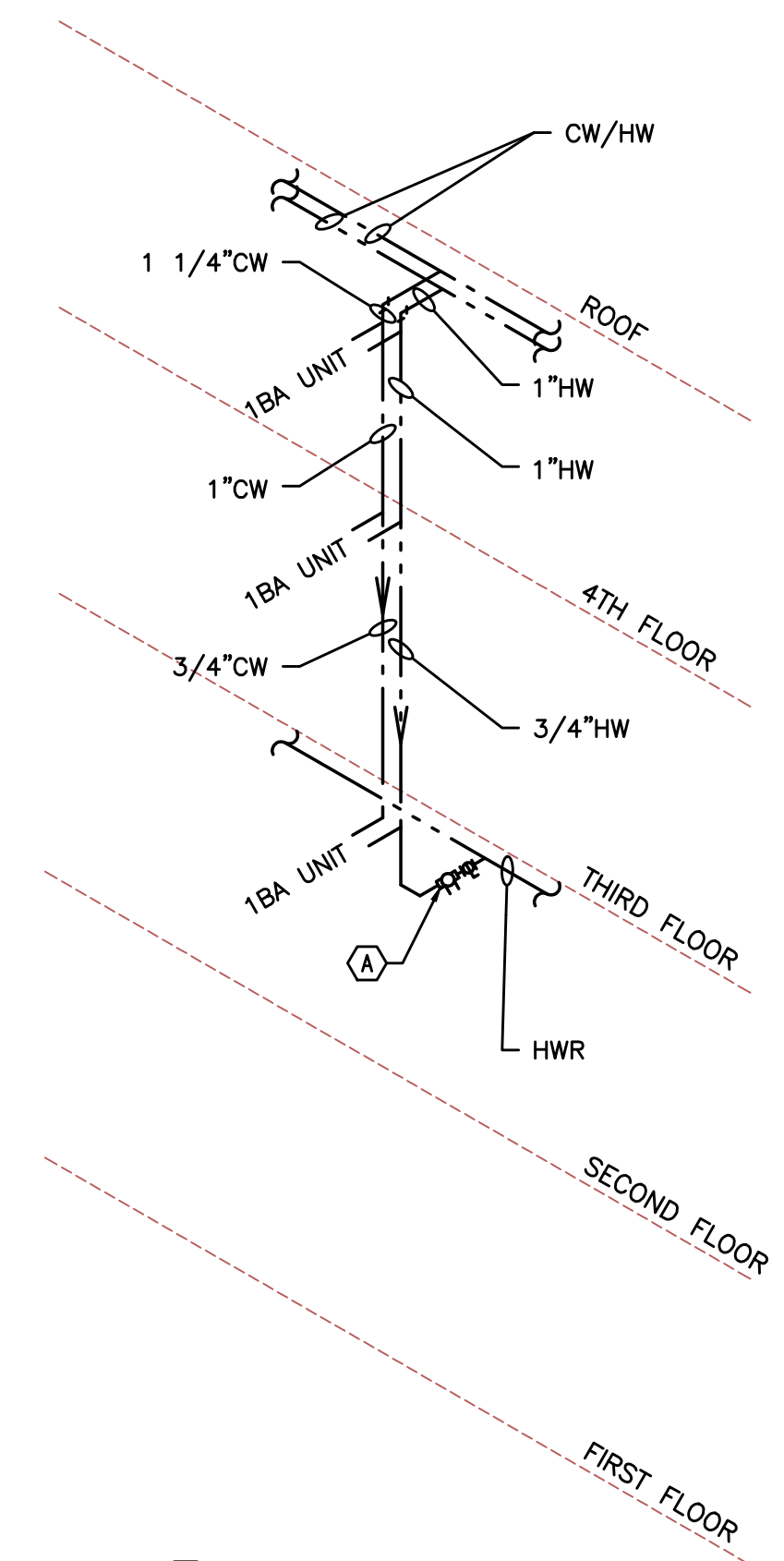
(A) - SET BALANCING VALVE TO 0.75 GPM.

1 RISER "A" TYPICAL  
P4.0 NOT TO SCALE



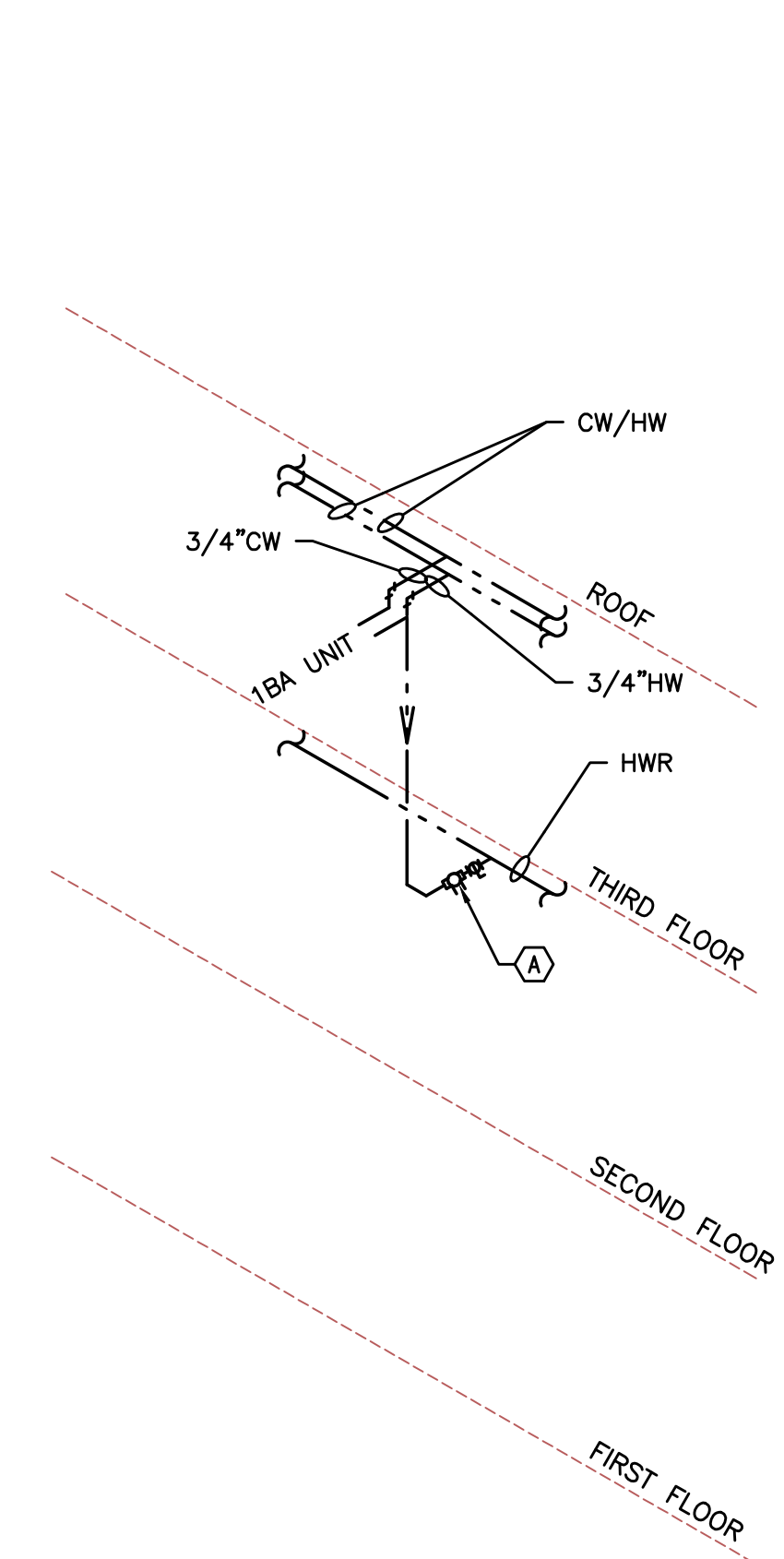
(A) - SET BALANCING VALVE TO 0.75 GPM.

2 RISER "B" TYPICAL  
P4.0 NOT TO SCALE



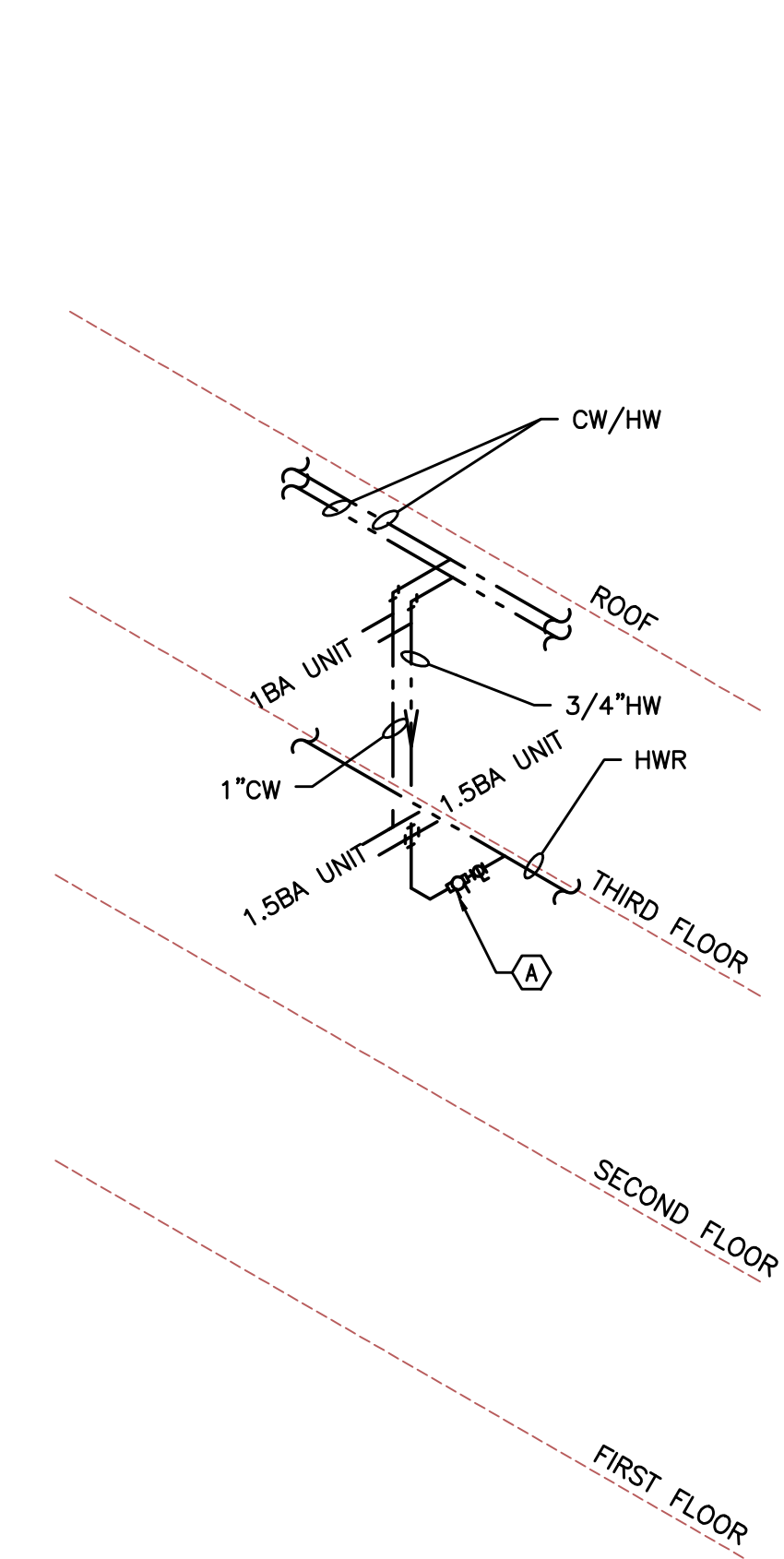
(A) - SET BALANCING VALVE TO 0.75 GPM.

3 RISER "C" TYPICAL  
P4.0 NOT TO SCALE



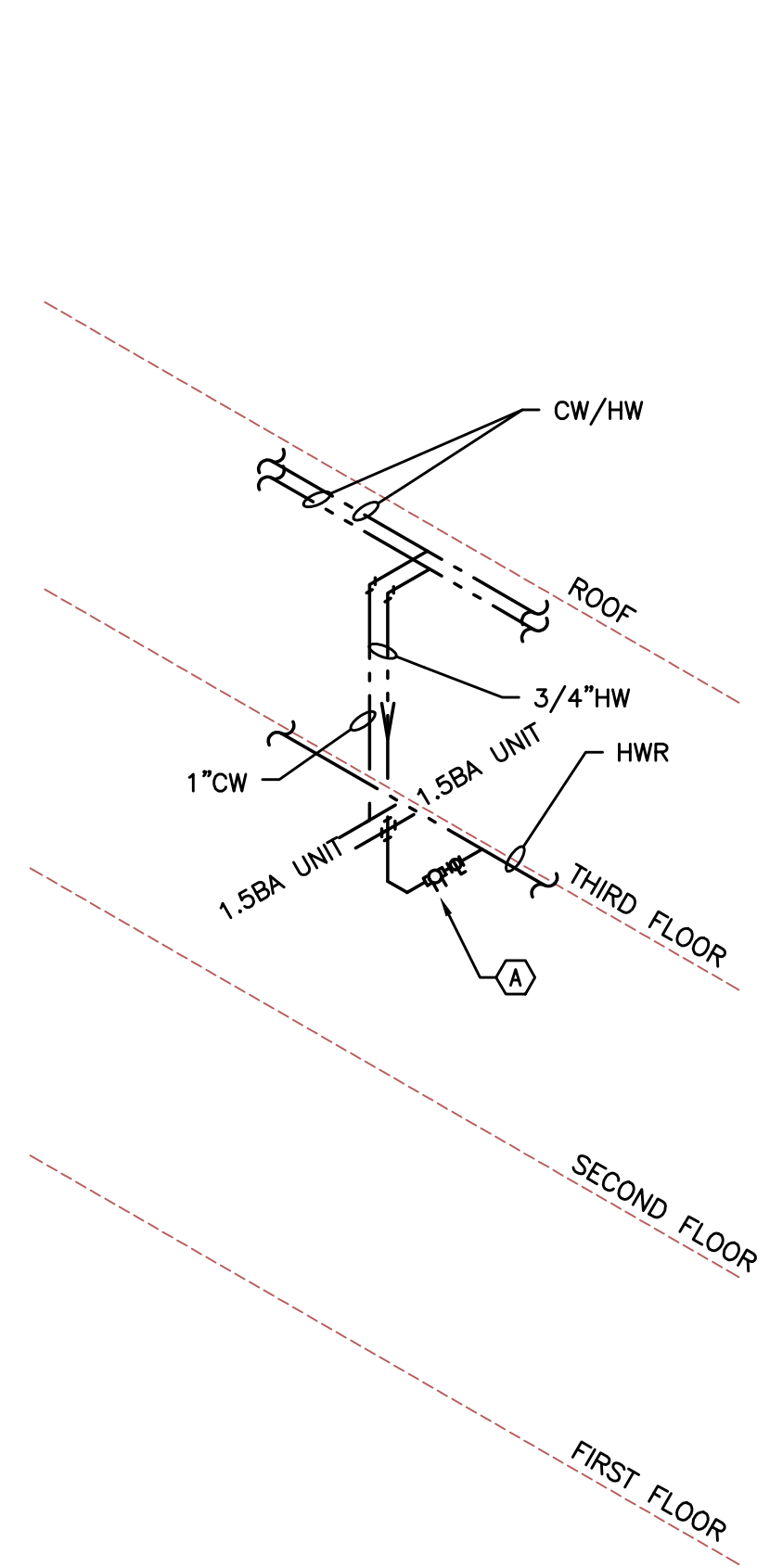
(A) - SET BALANCING VALVE TO 0.75 GPM.

4 RISER "D" TYPICAL  
P4.0 NOT TO SCALE



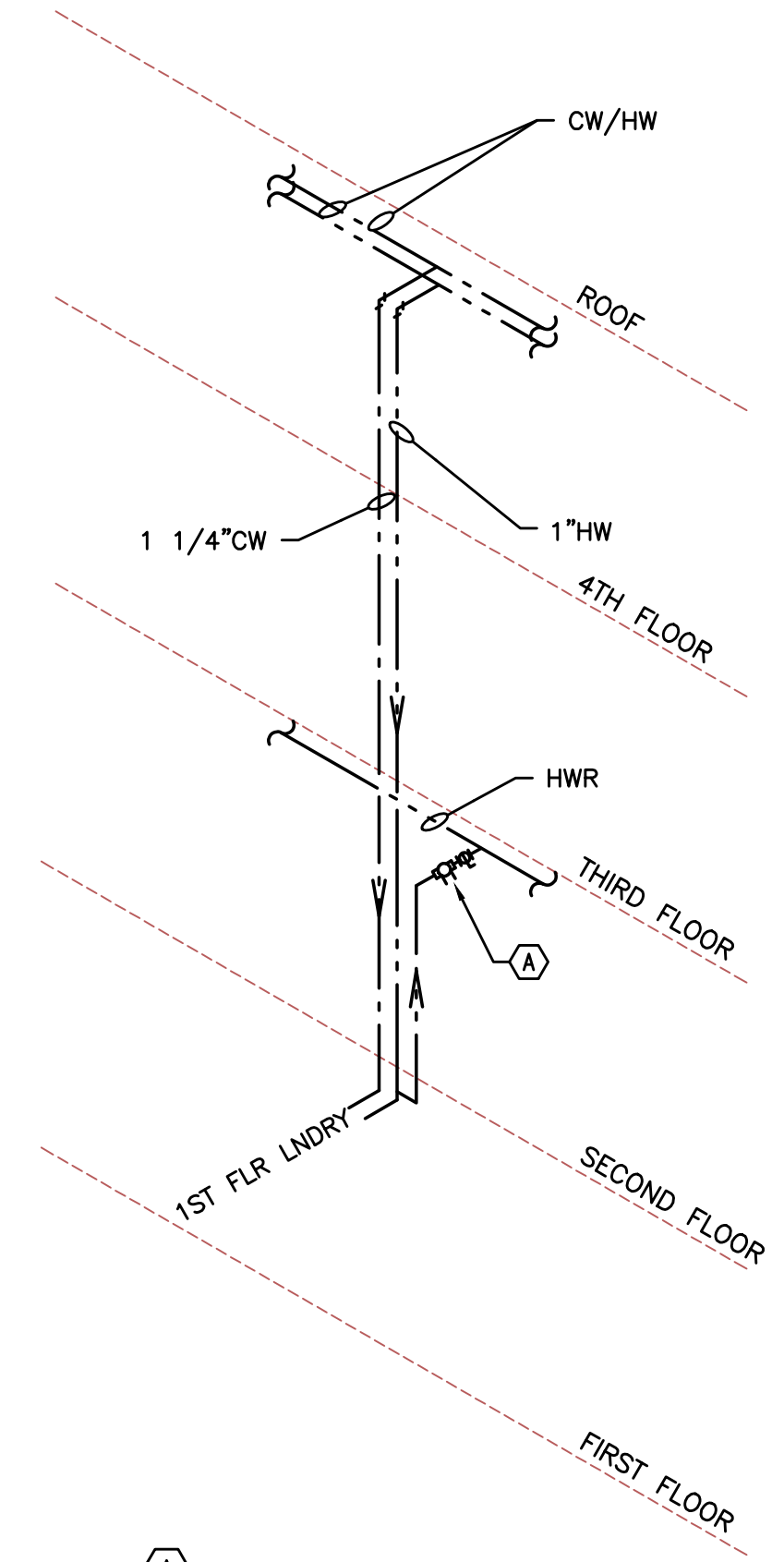
(A) - SET BALANCING VALVE TO 0.75 GPM.

5 RISER "E" TYPICAL  
P4.0 NOT TO SCALE



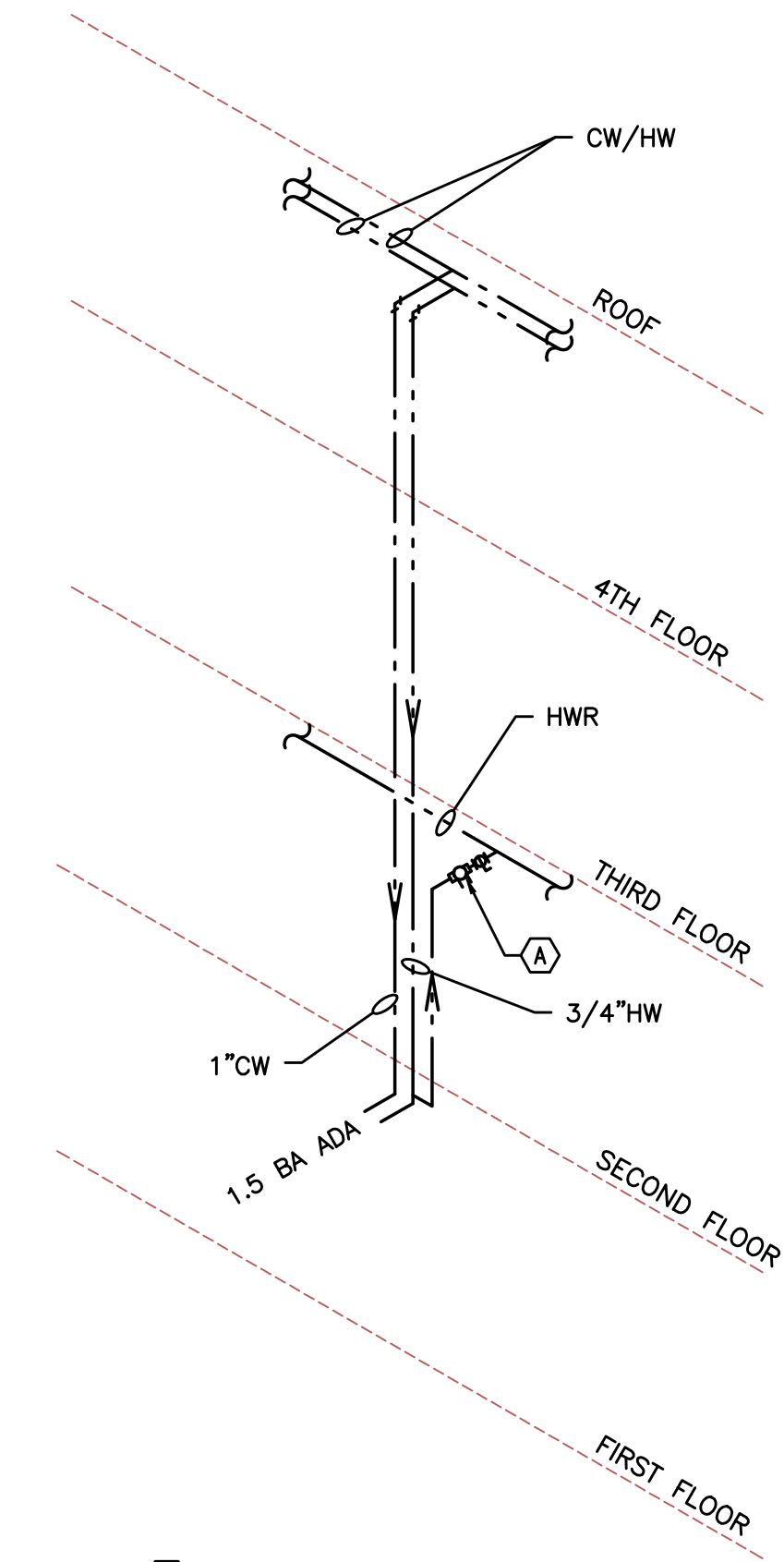
(A) - SET BALANCING VALVE TO 0.75 GPM.

6 RISER "F" TYPICAL  
P4.0 NOT TO SCALE



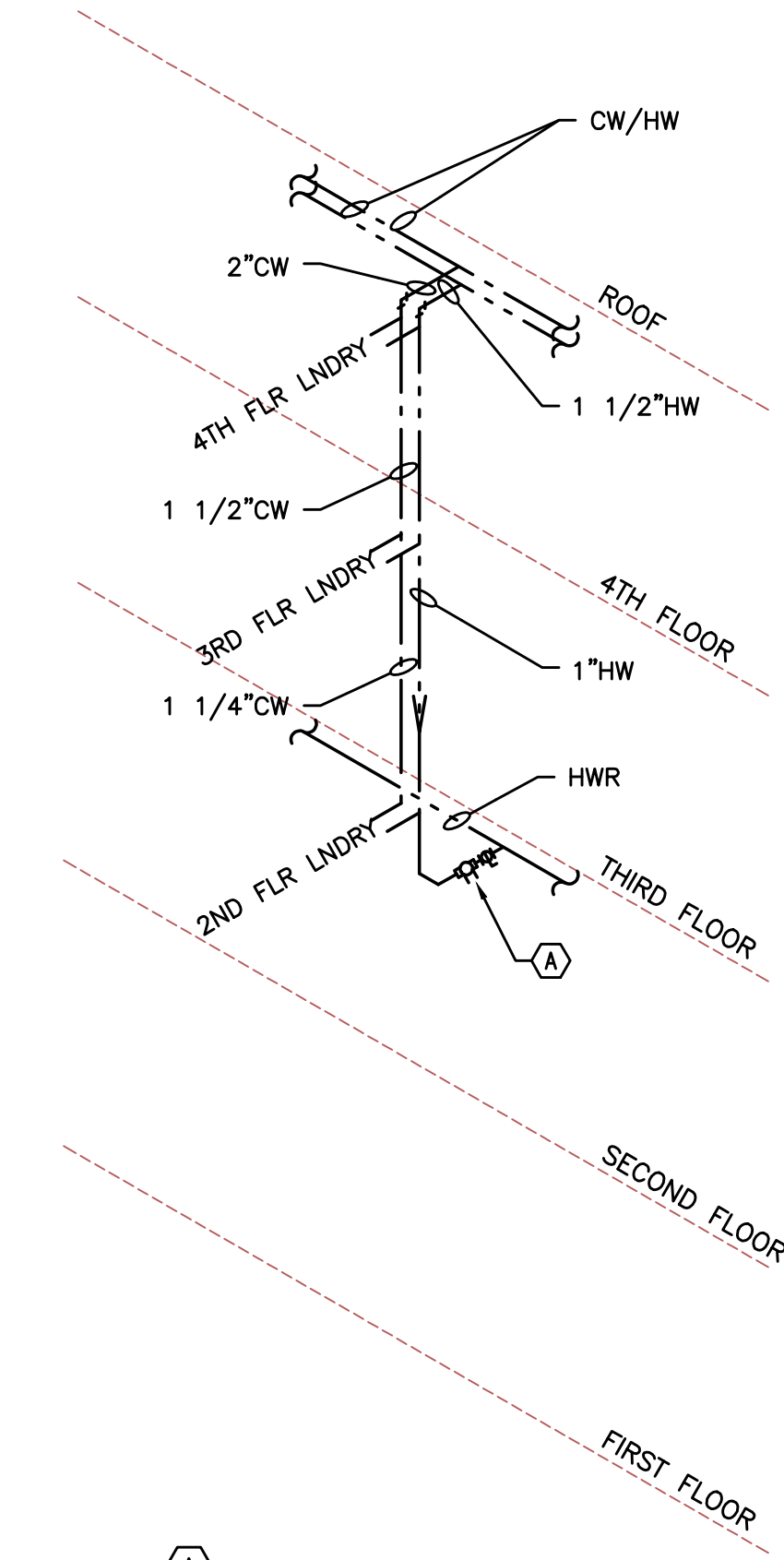
(A) - SET BALANCING VALVE TO 0.75 GPM.

7 RISER "G" TYPICAL  
P4.0 NOT TO SCALE



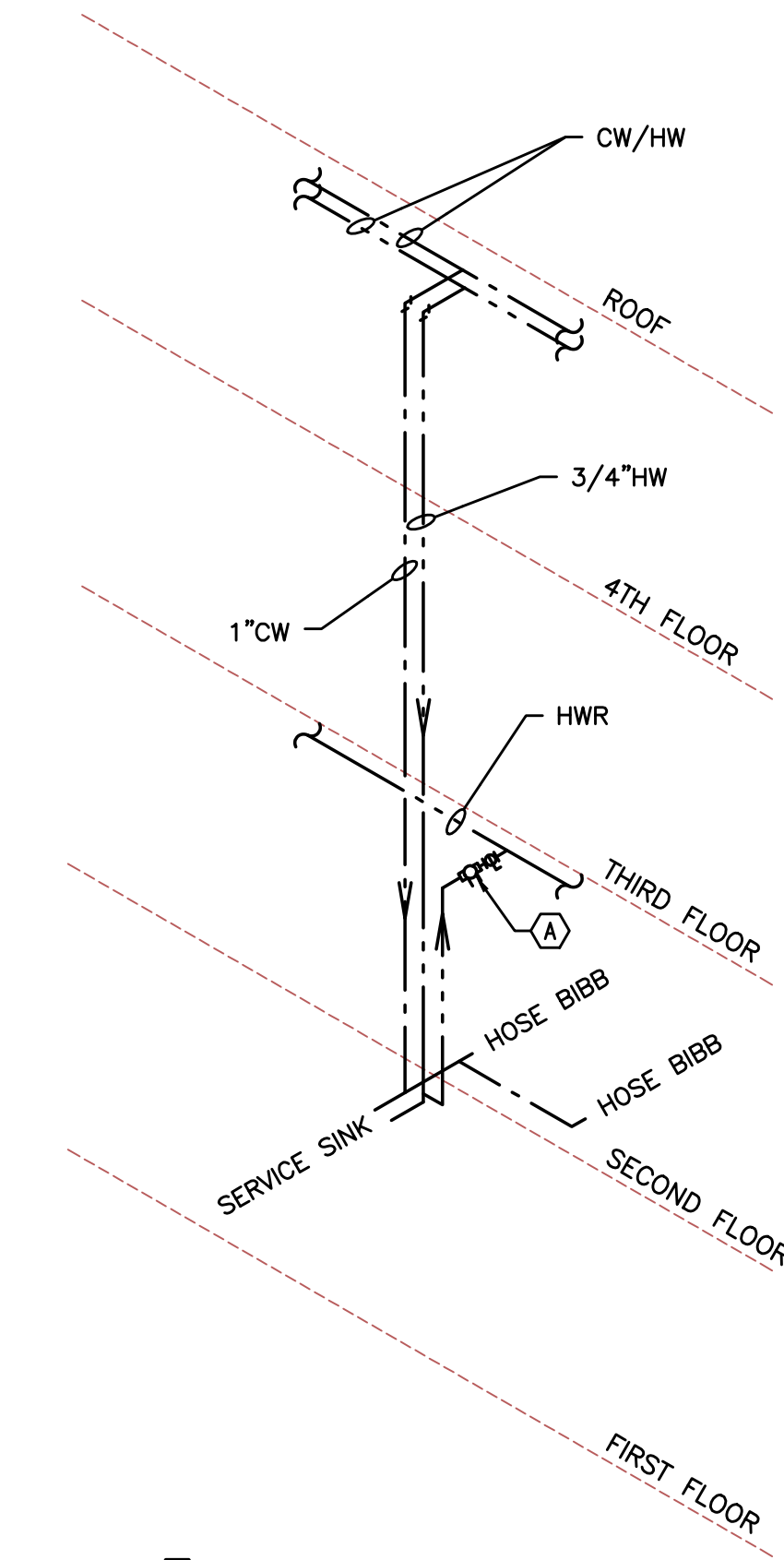
(A) - SET BALANCING VALVE TO 0.75 GPM.

8 RISER "H" TYPICAL  
P4.0 NOT TO SCALE



(A) - SET BALANCING VALVE TO 0.75 GPM.

9 RISER "J" TYPICAL  
P4.0 NOT TO SCALE



(A) - SET BALANCING VALVE TO 0.75 GPM.

10 RISER "K" TYPICAL  
P4.0 NOT TO SCALE

MFI Consulting Engineers  
2007 S.E. Ash St.  
Portland, OR 97214  
PHN: (503) 234-0548  
FAX: (503) 234-0677  
WWW.MFIA-ENG.COM  
CONTACT: Takako Baker

KING+PARKS MULTI-FAMILY RESIDENCES

PROJECT SITE: NE Martin Luther King Jr. Boulevard & N Rosa Parks Way  
OWNER: Portland Community Reinvestment Initiatives Inc. (PCRI)  
6329 NE Martin Luther King Jr. Blvd. Portland, Oregon 97211



MERRYMAN BARNES ARCHITECTS 4715 N ALBINA AVE SUITE 304 PORTLAND, OREGON 97217 P. 503.222.3753 WWW.MERRYMANBARNESARCHITECTS.COM

PROJECT NO. 16-0602  
ISSUE DATE 06.23.2017

REVISIONS

SHEET  
DOMESTIC WATER RISERS

P4.0

NOT FOR CONSTRUCTION  
PRICING SET  
© MERRYMAN BARNES ARCHITECTS, INC.