

Certified Drawing for RTU-1

Project: King and Parks MultiFamily Residences
Prepared By:

08/08/2017
10:22AM

NOTES:

1. DIMENSIONS ARE IN INCHES. DIMENSIONS IN [] ARE IN MILLIMETERS.
2. CENTER OF GRAVITY
3. DIRECTION OF AIR FLOW
4. ALL VIEW DRAWN USING 3RD ANGLE

UNIT	J	K
48TC**01	33 3/8 [841]	16 5/8 [417]
48TC**01	33 3/8 [841]	12 7/8 [327]
48TC**01	33 3/8 [841]	14 7/8 [377]
48TS**01	41 3/8 [1051]	14 7/8 [377]

DRAWING REPRESENTS PRODUCT BUILT AFTER 01/01/2017
(STARTING WITH SERIAL NUMBER 0117 ...) SEE DETAIL "F"



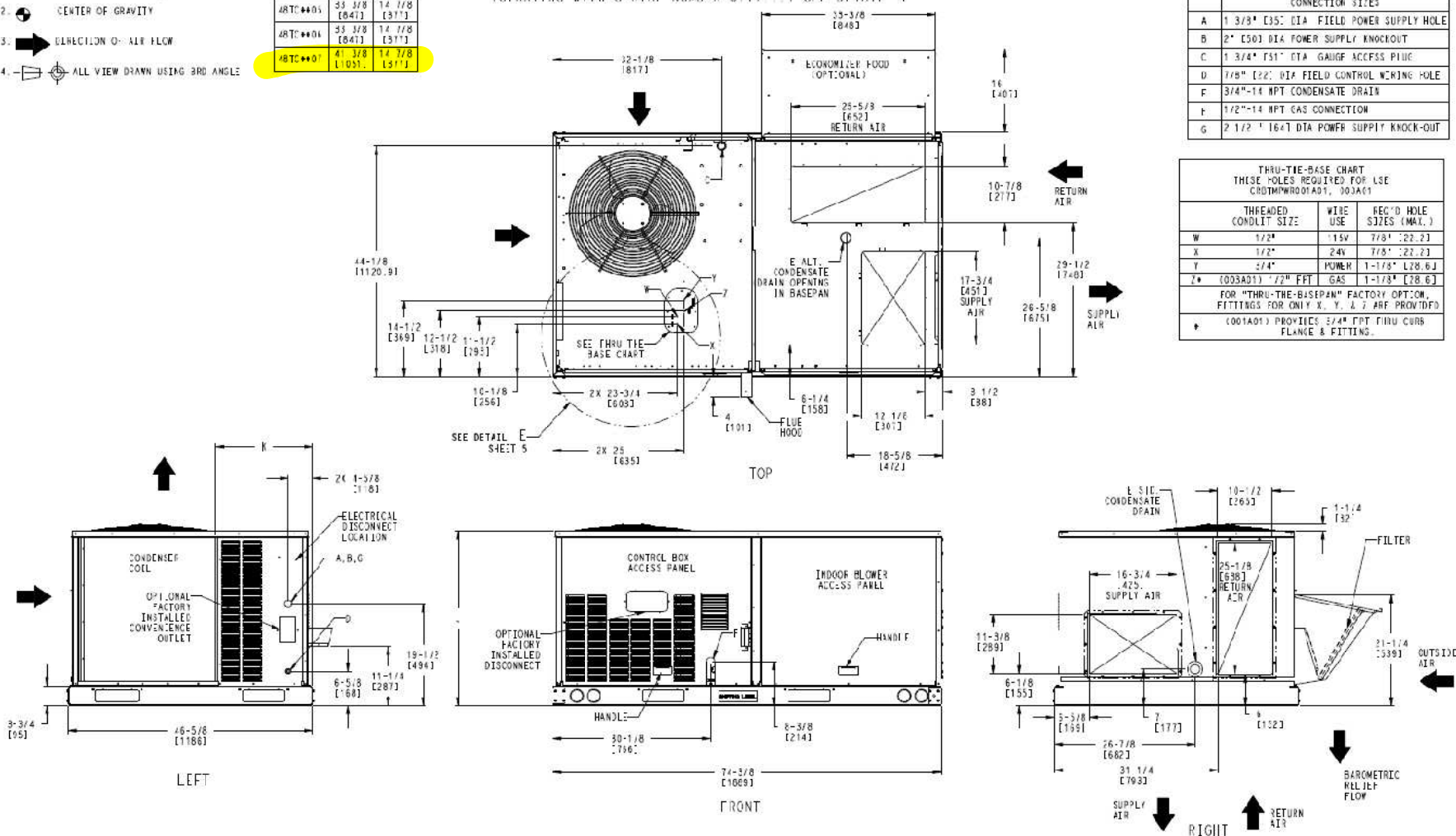
THIS DOCUMENT IS THE PROPERTY OF CARRIER CORPORATION AND IS DELIVERED UPON THE EXPRESS CONDITION THAT THE CONTENTS WILL NOT BE DISCLOSED OR REPRODUCED WITHOUT CARRIER CORPORATION'S WRITTEN CONSENT.

REVISION OF THESE DRAWINGS OR DOCUMENTS DOES NOT CONSTITUTE FACT PERFORMANCE OR ACCEPTANCE OF CONTRACT.

CONNECTION SIZES	
A	1 3/8" [35] DIA FIELD POWER SUPPLY HOLE
B	2" [50] DIA POWER SUPPLY KNOCK-OUT
C	1 3/4" [45] DIA GAUGE ACCESS PILE
D	7/8" [22] DIA FIELD CONTROL WORKING HOLE
F	3/4"-14 NPT CONDENSATE DRAIN
F	1/2"-14 NPT GAS CONNECTION
G	2 1/2" [64] DIA POWER SUPPLY KNOCK-OUT

THRU-TIE-BASE CHART THESE HOLES REQUIRED FOR USE CR01MNR000A01, 003A01		
THREADED CONDUIT SIZE	WIRE USE	REQ'D HOLE SIZES (MAX.)
W	1/2"	15V 7/8" [22.2]
X	1/2"	24V 7/8" [22.2]
Y	3/4"	PANEL 1-1/8" [28.6]
Z*	(003A01) 1/2" FFF	GAS 1-1/8" [28.6]

FOR "THRU-TIE-BASEPANEL" FACTORY OPTION, FITTINGS FOR ONLY X, Y, & Z ARE PROVIDED.
* (001A01) PROVIDES 3/4" FFF FIBRO CURB FLANGE & FITTING.



ITC CLASSIFICATION	SHEET	DATE	SUPERCEDES	48TC 04-07 SINGLE ZONE ELECTRICAL COOLING WITH GAS HEAT	48TN500993	REV
U.S. ECON:NSH	1 OF 5	8-24-2016	3-25-2015			H

Certified Drawing for RTU-1

Project: King and Parks MultiFamily Residences
Prepared By:

08/08/2017
10:22AM

NOTES:

1. DIMENSIONS ARE IN INCHES. DIMENSIONS IN [] ARE IN MILLIMETERS.
2. CENTER OF GRAVITY
3. DIRECTION OF AIR FLOW
4. ALL VIEW DRAWN USING 3RD ANGLE

UNIT	J	K
48TC**04	33 3/8 [841]	18 5/8 [472]
48TC**05	33 3/8 [841]	14 7/8 [377]
48TC**06	33 3/8 [841]	14 7/8 [377]
48TC**07	41 3/8 [1051]	14 7/8 [377]

DRAWING REPRESENTS PRODUCT BUILT BEFORE 01/01/2017
SEE DETAIL "E"



THIS DOCUMENT IS THE PROPERTY OF CARRIER CORPORATION AND IS BELIEVED UPON THE EXPLICIT CONDITION THAT THE CONTENTS WILL NOT BE DISCLOSED OR USED WITHOUT CARRIER CORPORATION'S WRITTEN CONSENT.

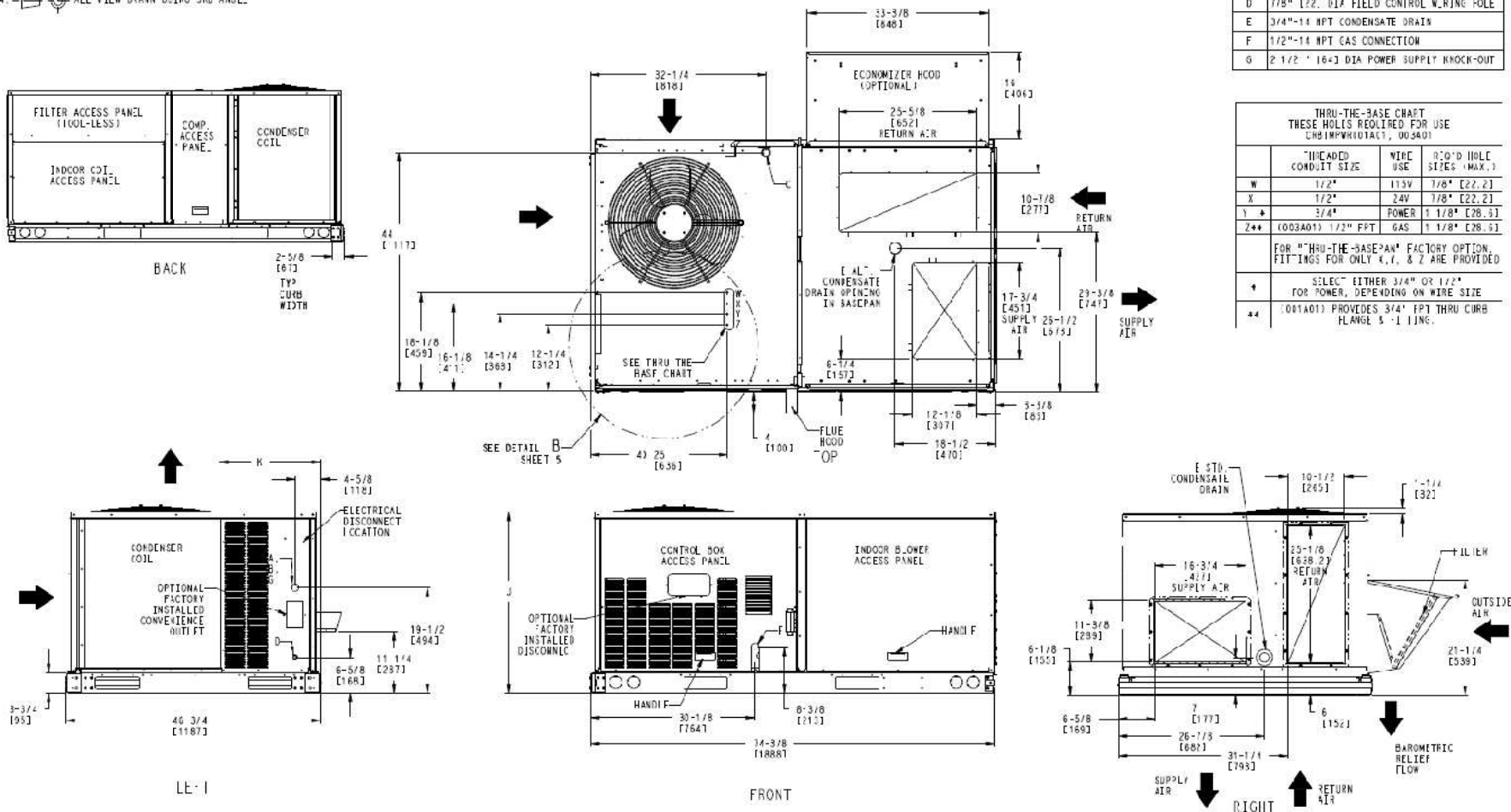
SUBMISSION OF THESE DRAWINGS OR DOCUMENTS DOES NOT CONSTITUTE "ASAP" PERFORMANCE OR ACCEPTANCE OF CONTRACT.

CONNECTION SIZES	
A	1 3/8" E35: DIA. FIELD POWER SUPPLY HOLE
B	2" E50: DIA. POWER SUPPLY KNOCKOUT
C	1 3/4" E31: DIA. GAUGE ACCESS PLUG
D	7/8" E22: DIA. FIELD CONTROL WIRING HOLE
E	3/4"-14 NPT CONDENSATE DRAIN
F	1/2"-14 NPT GAS CONNECTION
G	2 1/2" E16:3 DIA. POWER SUPPLY KNOCK-OUT

THRU-THE-BASE CRAFT THESE HOLES REQUIRED FOR USE (CROSS REFERENCE TO ALL 003401)

	THREADED CONDUIT SIZE	WIRE USE	R/O'D HOLE SIZES (MAX.)
W	1/2"	115V	3/8" E22, 23
X	1/2"	24V	7/8" E22, 23
Y	3/4"	POWER	1 1/8" E28, 53
Z**	003401: 1/2" FPT	GAS	1 1/8" E28, 53

FOR "THRU-THE-BASE" FACTORY OPTION, FITTINGS FOR ONLY X, Y, & Z ARE PROVIDED
* SELECT EITHER 3/4" OR 1/2" FOR POWER, DEPENDING ON WIRE SIZE
** 001A01 PROVIDES 3/4" FPT THRU CURB FLANGE 5' x 1' JUNG.



ITC CLASSIFICATION	SHEET	DATE	SUPERCEDES	DESCRIPTION	PROJECT	REV
U.S. ECON:NSR	2 OF 5	8-24-2016	3-16-2015	48TC 04-07 SINGLE ZONE ELECTRICAL COOLING WITH GAS HEAT	48TN500993	H

Certified Drawing for RTU-2

Project: King and Parks MultiFamily Residences
 Prepared By:

08/08/2017
 10:22AM

NOTES:

1. DIMENSIONS ARE IN INCHES. DIMENSIONS IN [] ARE IN MILLIMETERS.
2. CENTER OF GRAVITY
3. DIRECTION OF AIR FLOW

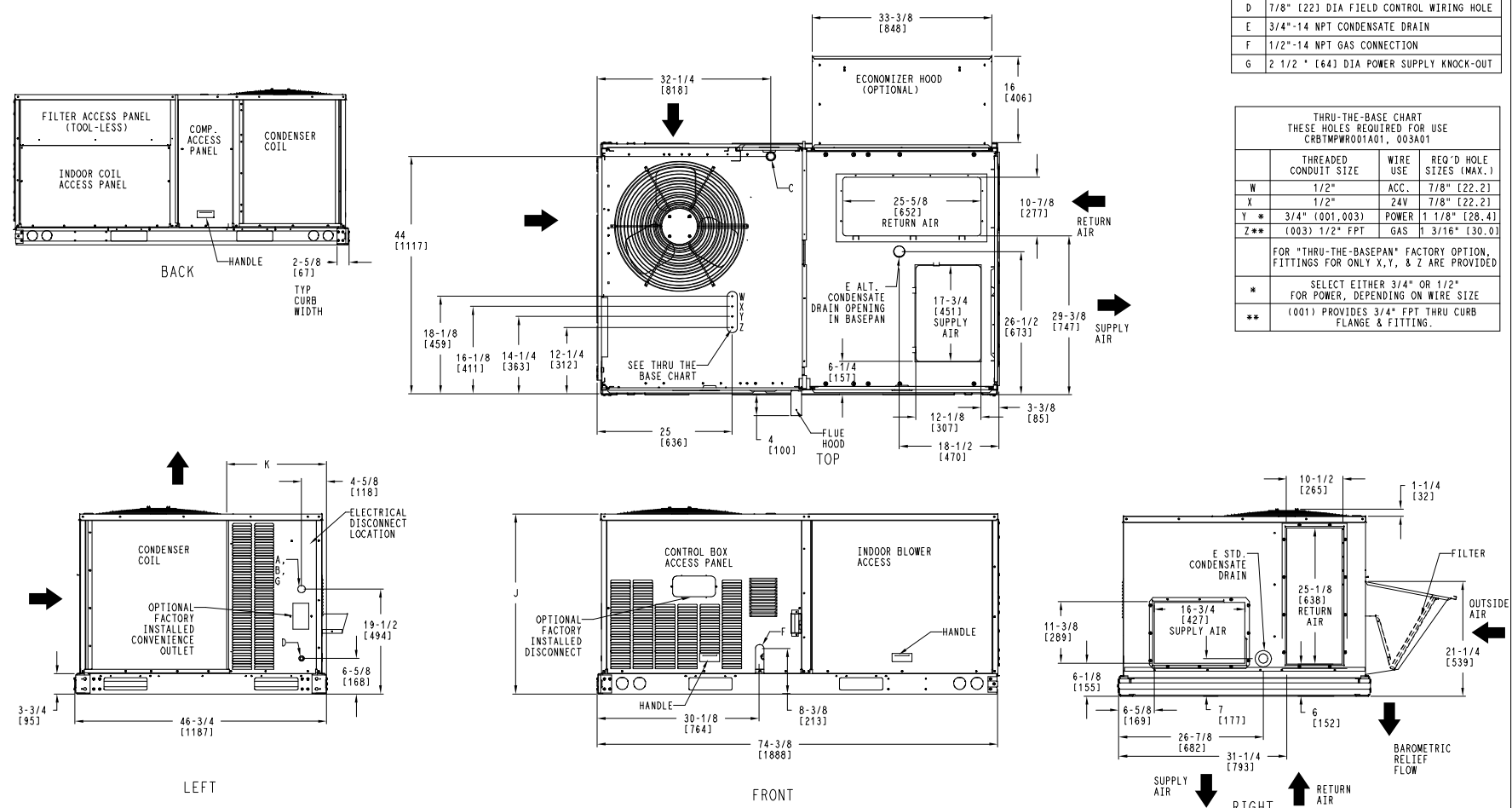
UNIT	J	K (1 PHASE)	K (3 PHASE)
48KC 04	33 3/8 [847]	14 7/8 [377]	14 7/8 [377]
48KC 05	33 3/8 [847]	14 7/8 [377]	18 5/8 [472]
48KC 06	41 3/8 [1051]	14 7/8 [377]	18 5/8 [472]

UNITED TECHNOLOGIES SYRACUSE, NY P.O. BOX 4808 CARRIER 13221
 THIS DOCUMENT IS THE PROPERTY OF CARRIER CORPORATION AND IS DELIVERED UPON THE EXPRESS CONDITION THAT THE CONTENTS WILL NOT BE DISCLOSED OR USED WITHOUT CARRIER CORPORATION'S WRITTEN CONSENT. SUBMISSION OF THESE DRAWINGS OR DOCUMENTS DOES NOT CONSTITUTE PART PERFORMANCE OR ACCEPTANCE OF CONTRACT.

CONNECTION SIZES	
A	1 3/8" [35] DIA FIELD POWER SUPPLY HOLE
B	2" [50] DIA POWER SUPPLY KNOCKOUT
C	1 3/4" [51] DIA GAUGE ACCESS PLUG
D	7/8" [22] DIA FIELD CONTROL WIRING HOLE
E	3/4"-14 NPT CONDENSATE DRAIN
F	1/2"-14 NPT GAS CONNECTION
G	2 1/2" [64] DIA POWER SUPPLY KNOCK-OUT

THRU-THE-BASE CHART THESE HOLES REQUIRED FOR USE CRBTMPWR01A01, 003A01			
THREADED CONDUIT SIZE	WIRE USE	ACC.	REQ'D HOLE SIZES (MAX.)
W	1/2"	ACC.	7/8" [22.2]
X	1/2"	24V	7/8" [22.2]
Y *	3/4" (001,003)	POWER	1 1/8" [28.4]
Z **	(003) 1/2" FPT	GAS	1 3/16" [30.0]

FOR "THRU-THE-BASEPAN" FACTORY OPTION, FITTINGS FOR ONLY X, Y, & Z ARE PROVIDED.
 * SELECT EITHER 3/4" OR 1/2" FOR POWER, DEPENDING ON WIRE SIZE
 ** (001) PROVIDES 3/4" FPT THRU CURB FLANGE & FITTING.



SHEET 1 OF 2	DATE 09-16-14	SUPERCEDES -	48KC 04-06 SINGLE ZONE ELECTRICAL COOLING WITH GAS HEAT	48KC000281	REV -
-----------------	------------------	-----------------	---	------------	----------

Certified Drawing for RTU-2

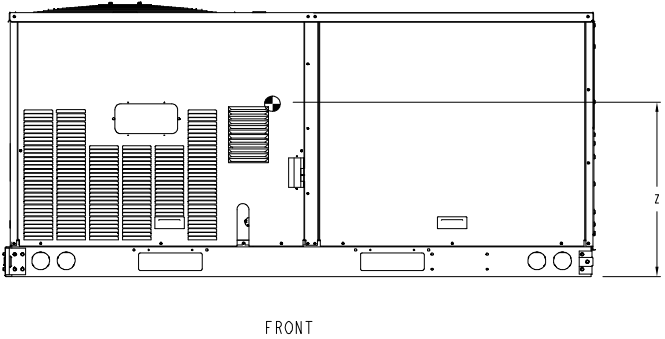
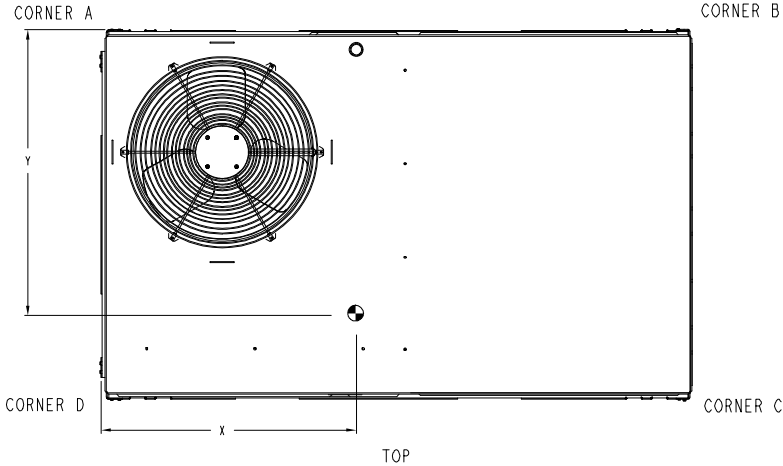
Project: King and Parks MultiFamily Residences
 Prepared By:

08/08/2017
 10:22AM

UNIT	STD. UNIT WEIGHT		CORNER WEIGHT (A)		CORNER WEIGHT (B)		CORNER WEIGHT (C)		CORNER WEIGHT (D)		C.G.		HEIGHT
	LBS.	KG.	LBS.	KG.	LBS.	KG.	LBS.	KG.	LBS.	KG.	Y	Y	Z
48KC 04	490	222	120	54	111	50	125	56	135	61	35 3/4 [908]	24 3/4 [628]	18 7/8 [479]
48KC 05	544	246	130	58	126	57	142	64	146	66	36 3/4 [933]	24 3/4 [628]	18 7/8 [479]
48KC 06	597	270	141	64	156	70	158	71	142	64	39 1/8 [993]	23 1/2 [597]	20 1/8 [511]

UNITED TECHNOLOGIES
 CARRIER
 P.O. BOX 4808
 SYRACUSE, NY 13221
 THIS DOCUMENT IS THE PROPERTY OF CARRIER CORPORATION AND IS DELIVERED UPON THE EXPRESS CONDITION THAT THE CONTENTS WILL NOT BE DISCLOSED OR USED WITHOUT CARRIER CORPORATION'S WRITTEN CONSENT.
 SUBMISSION OF THESE DRAWINGS OR DOCUMENTS DOES NOT CONSTITUTE PART PERFORMANCE OR ACCEPTANCE OF CONTRACT.

* STANDARD UNIT WEIGHT IS WITH LOW GAS HEAT AND WITHOUT PACKAGING. FOR OTHER OPTIONS AND ACCESSORIES, REFER TO THE PRODUCT DATA CATALOG.



SHEET 2 OF 2	DATE 09-16-14	SUPERCEDES -	48KC 04-06 SINGLE ZONE ELECTRICAL COOLING WITH GAS HEAT	48KC000281	REV -
-----------------	------------------	-----------------	--	------------	----------

Certified Drawing for RTU-3

Project: King and Parks MultiFamily Residences
Prepared By:

08/08/2017
10:22AM

NOTES:

1. DIMENSIONS ARE IN INCHES. DIMENSIONS IN [] ARE IN MILLIMETERS.
2. CENTER OF GRAVITY
3. DIRECTION OF AIR FLOW

UNIT	J	K (1 PHASE)	K (3 PHASE)
48KC 04	33 3/8 [847]	14 7/8 [377]	14 7/8 [377]
48KC 05	33 3/8 [847]	14 7/8 [377]	18 5/8 [472]
48KC 06	41 3/8 [1051]	14 7/8 [377]	18 5/8 [472]

	UNITED TECHNOLOGIES CARRIER	P.O. BOX 4808 SYRACUSE, NY 13221	THIS DOCUMENT IS THE PROPERTY OF CARRIER CORPORATION AND IS DELIVERED UPON THE EXPRESS CONDITION THAT THE CONTENTS WILL NOT BE DISCLOSED OR USED WITHOUT CARRIER CORPORATION'S WRITTEN CONSENT.
			SUBMISSION OF THESE DRAWINGS OR DOCUMENTS DOES NOT CONSTITUTE PART PERFORMANCE OR ACCEPTANCE OF CONTRACT.

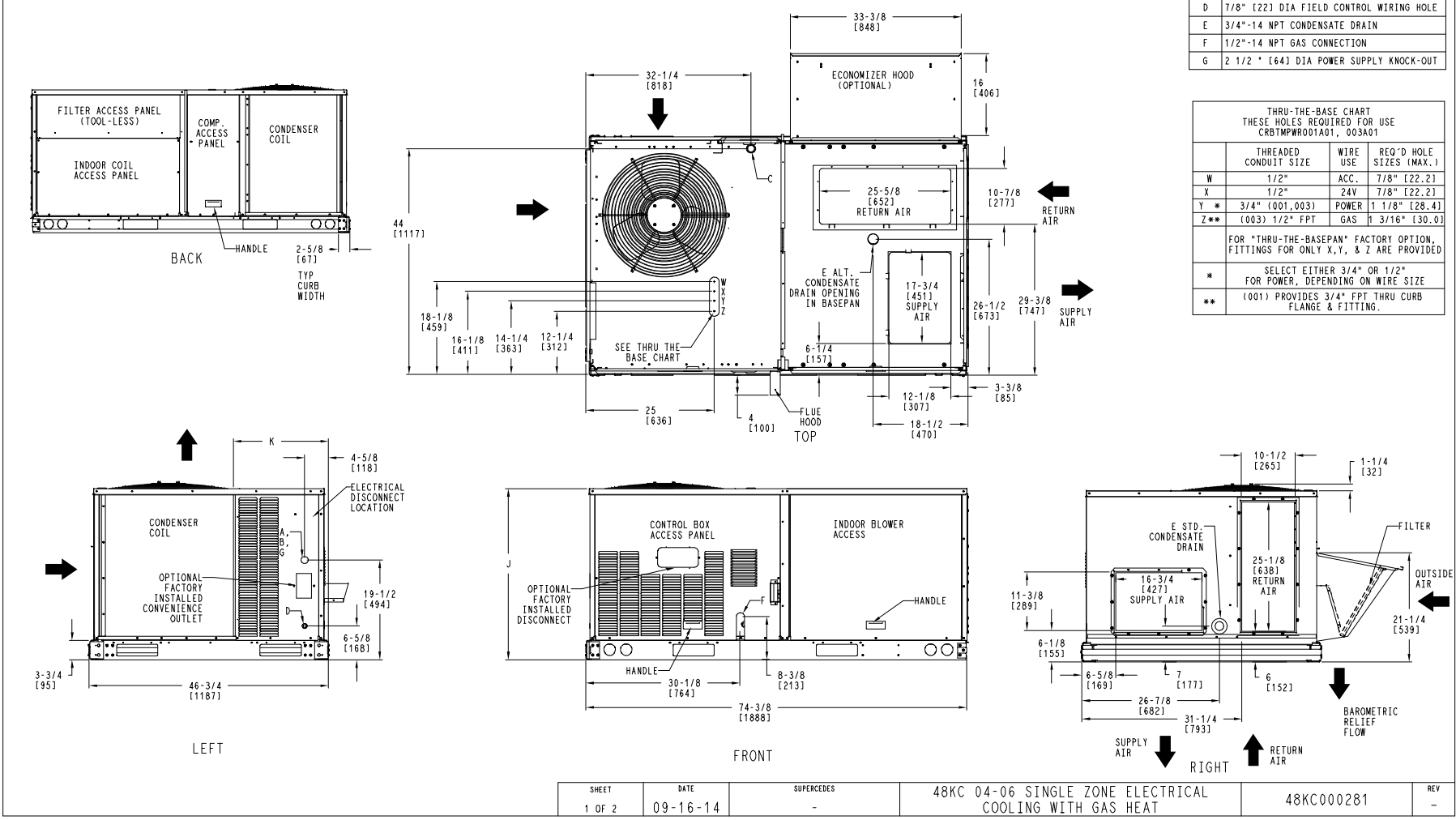
CONNECTION SIZES	
A	1 3/8" [35] DIA. FIELD POWER SUPPLY HOLE
B	2" [50] DIA. POWER SUPPLY KNOCKOUT
C	1 3/4" [51] DIA. GAUGE ACCESS PLUG
D	7/8" [22] DIA. FIELD CONTROL WIRING HOLE
E	3/4"-14 NPT CONDENSATE DRAIN
F	1/2"-14 NPT GAS CONNECTION
G	2 1/2" [64] DIA. POWER SUPPLY KNOCK-OUT

THRU-THE-BASE CHART THESE HOLES REQUIRED FOR USE CRBTMPWR01A01, 003A01			
THREADED CONDUIT SIZE	WIRE USE	ACC.	REQ'D HOLE SIZES (MAX.)
W	1/2"	ACC.	7/8" [22.2]
X	1/2"	24V	7/8" [22.2]
Y *	3/4" (001,003)	POWER	1 1/8" [28.4]
Z **	(003) 1/2" FPT	GAS	1 3/16" [30.0]

FOR "THRU-THE-BASEPAN" FACTORY OPTION, FITTINGS FOR ONLY X, Y, & Z ARE PROVIDED

* SELECT EITHER 3/4" OR 1/2" FOR POWER, DEPENDING ON WIRE SIZE

** (001) PROVIDES 3/4" FPT THRU CURB FLANGE & FITTING.



SHEET 1 OF 2	DATE 09-16-14	SUPERCEDES -	48KC 04-06 SINGLE ZONE ELECTRICAL COOLING WITH GAS HEAT	48KC000281	REV -
-----------------	------------------	-----------------	---	------------	----------