

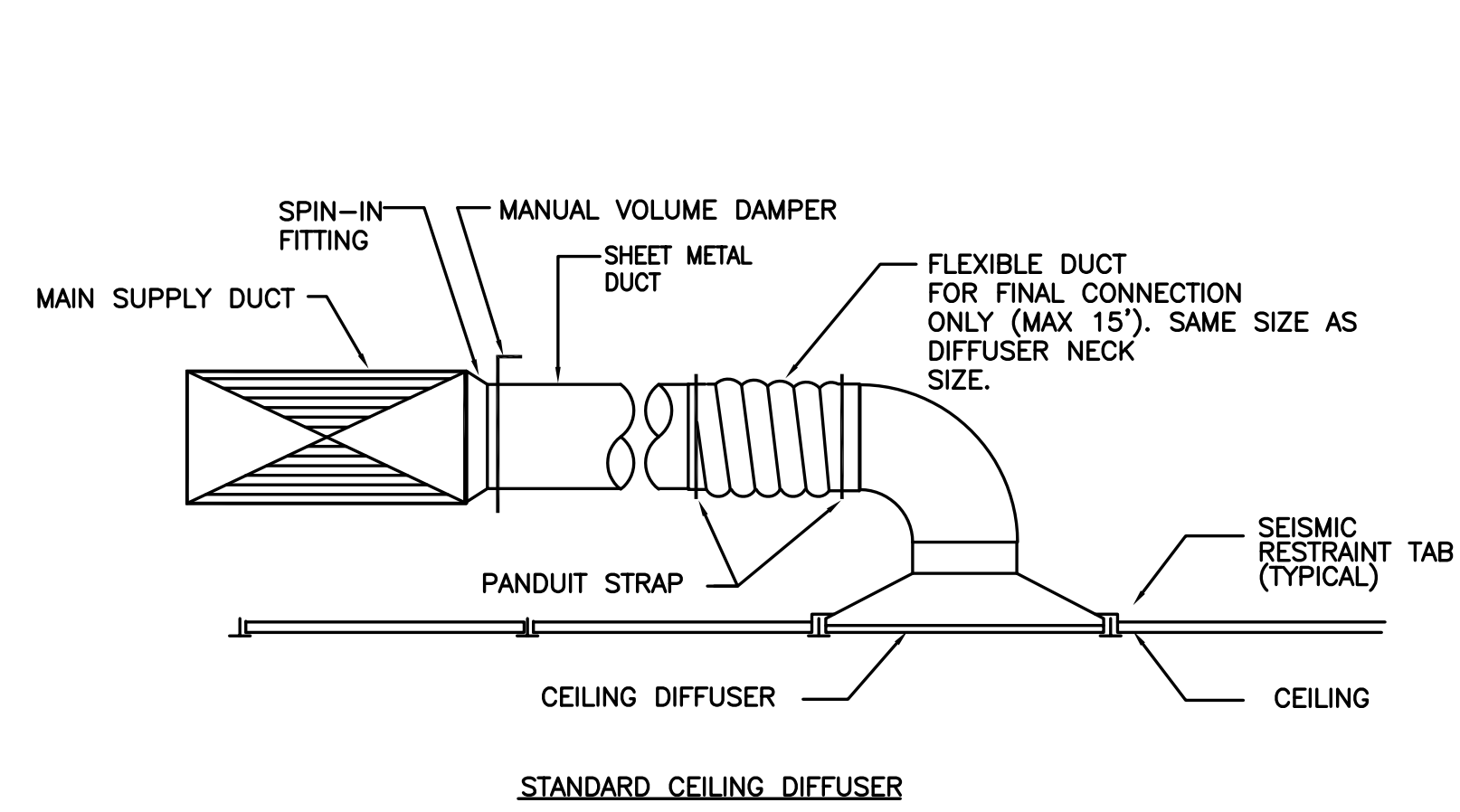
PRELIMINARY
NOT FOR
CONSTRUCTION

IN THE EVENT CONFLICTS ARE DISCOVERED
BETWEEN THE ORIGINAL SIGNED AND SEALED
DOCUMENTS PREPARED BY THE ARCHITECTS
AND/OR THEIR CONSULTANTS, AND ANY COPY OF
THE DOCUMENTS TRANSMITTED BY MAIL, FAX,
ELECTRONICALLY OR OTHERWISE, THE ORIGINAL
SIGNED AND SEALED DOCUMENTS SHALL CONTROL.

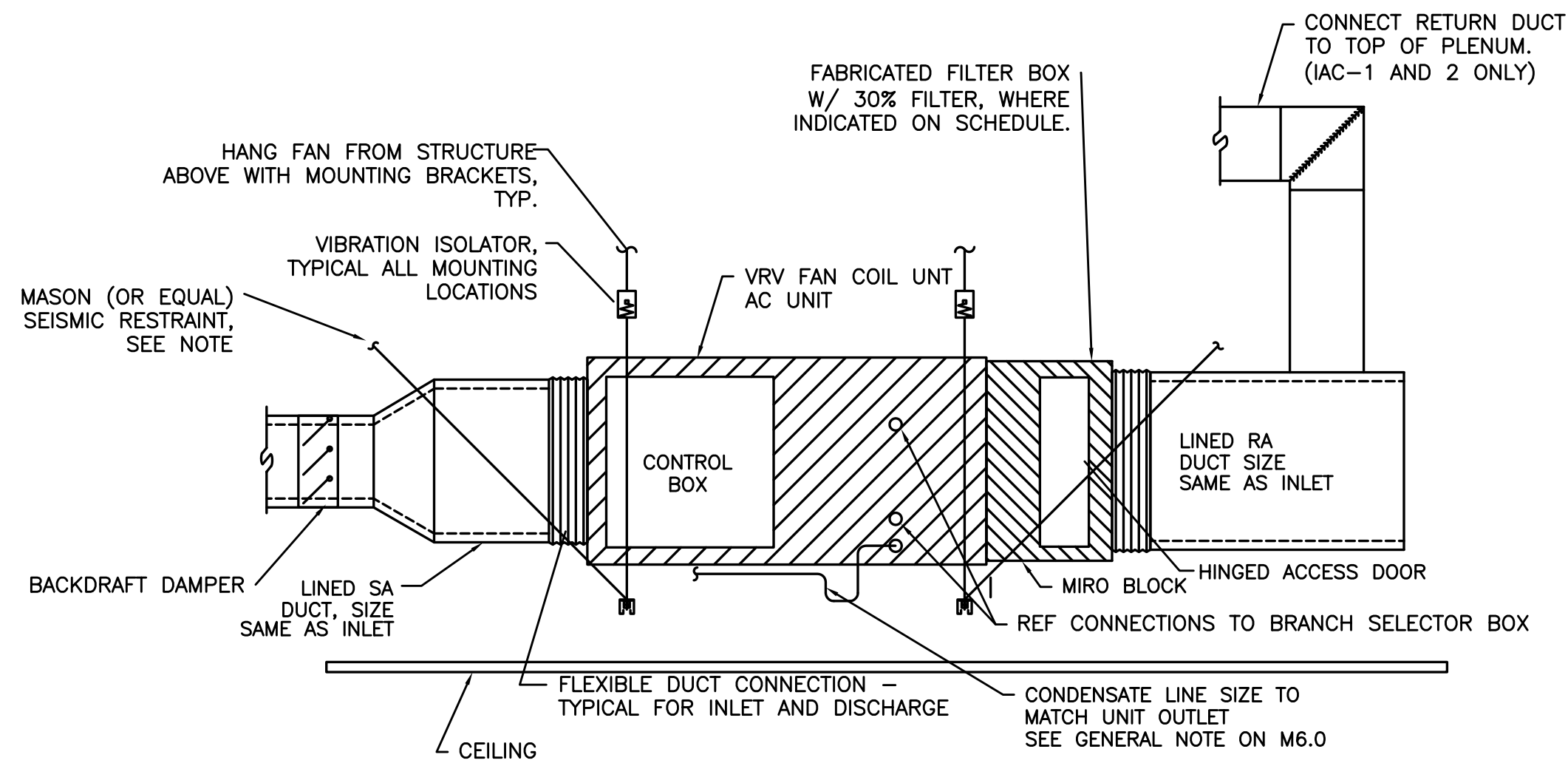
PROJECT # 20XX-XX
DATE: 09/29/2099

REVISIONS

SERVER ROOM UPGRADE FOR:
**SALEM-KEIZER SCHOOL DISTRICT
TECHNOLOGY & INFORMATION SERVICES BUILDING**
1340 STATE STREET, SALEM, OREGON 97301



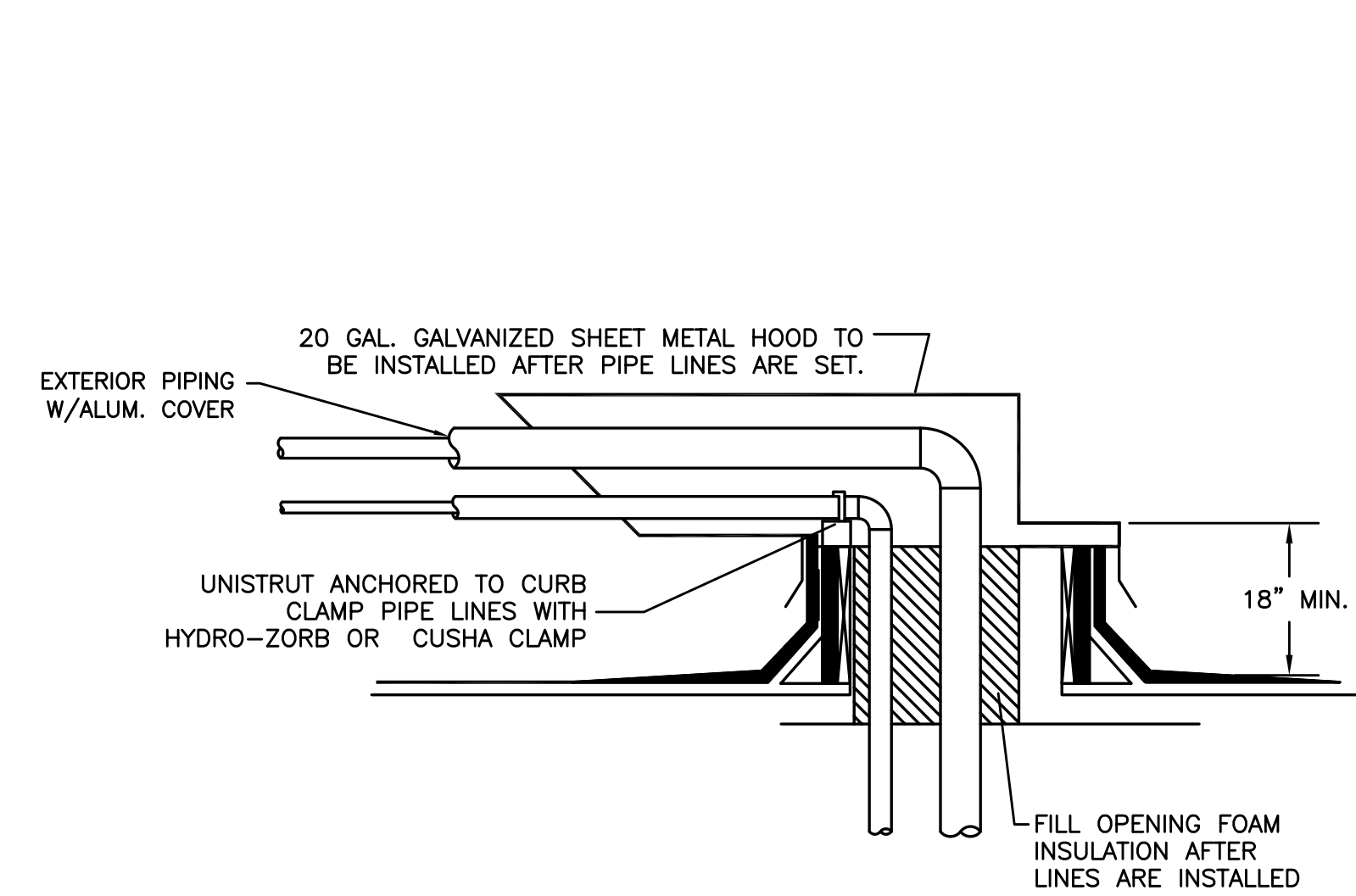
1 DIFFUSERS/GRILLES
M6.1 SCALE: DETAIL



NOTE: LOCATE SUPPORT & SIESMIC TO MAINTAIN UNHINDERED ACCESS FOR MAINTENANCE OF UNIT.

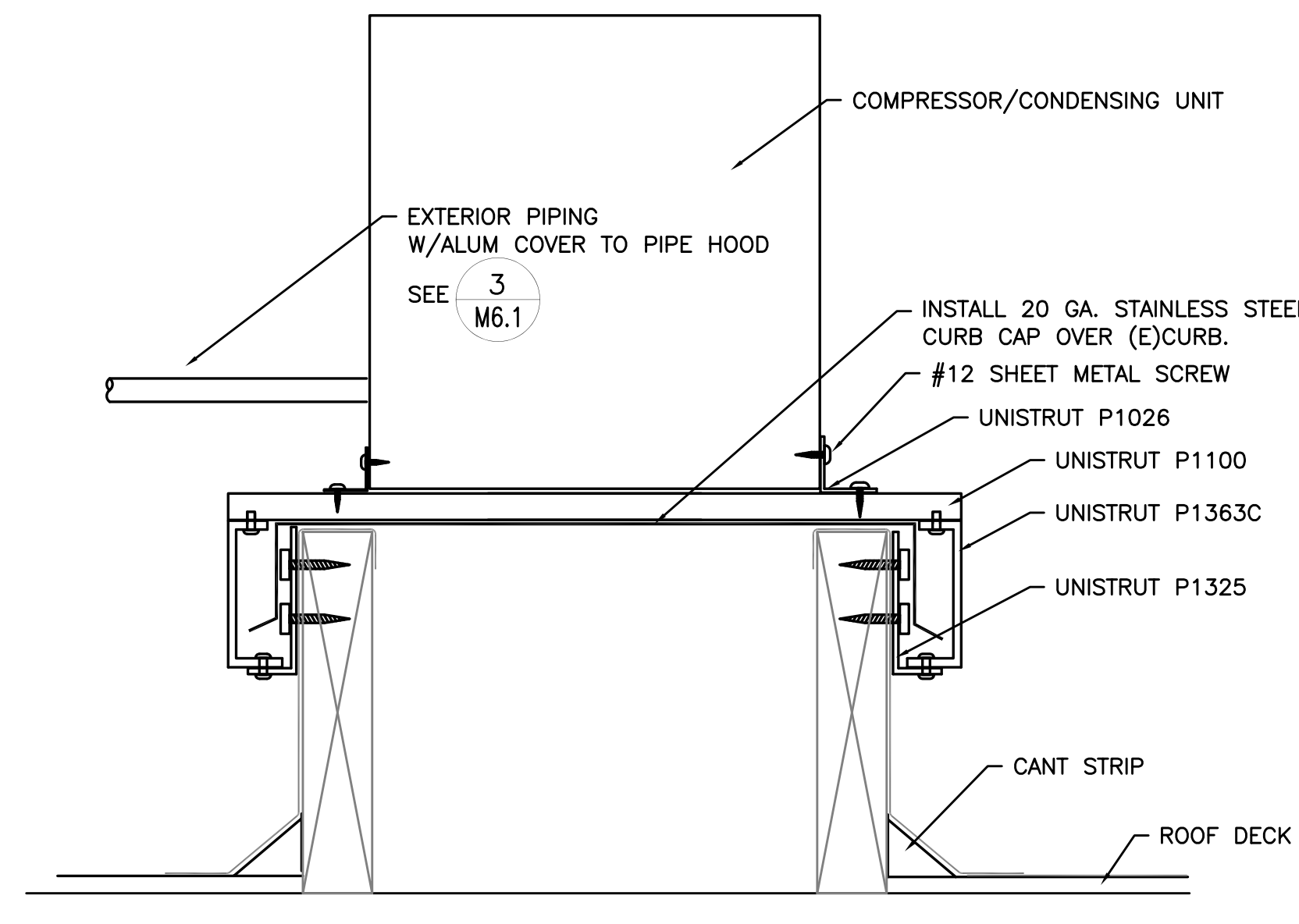
PROVIDE INDEPENDENT HANGERS, ISOLATORS AND RESTRAINTS FOR STACKED UNITS(IAC-1 AND 2)

2 IAC 1 & 2, AC-1 DETAIL
M6.1 SCALE: DETAIL



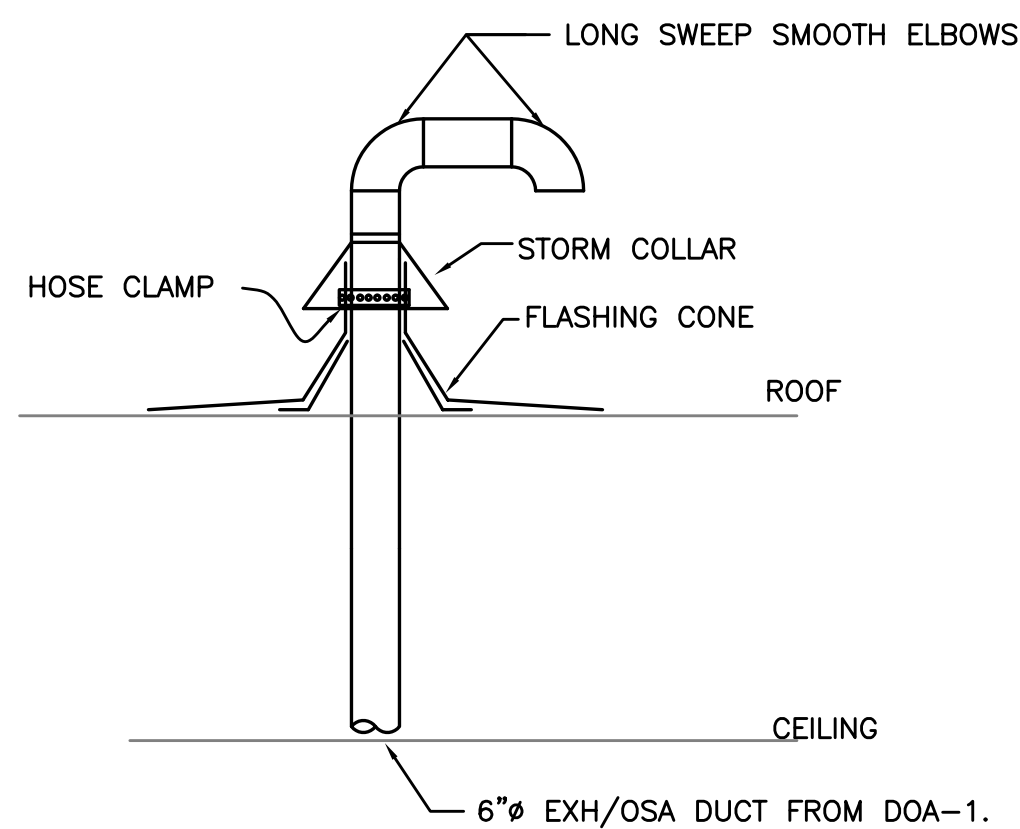
FOR REGRIGERANT LINE PENETRATIONS THRU ROOF

3 PIPE HOOD DETAIL
M6.1 SCALE: DETAIL

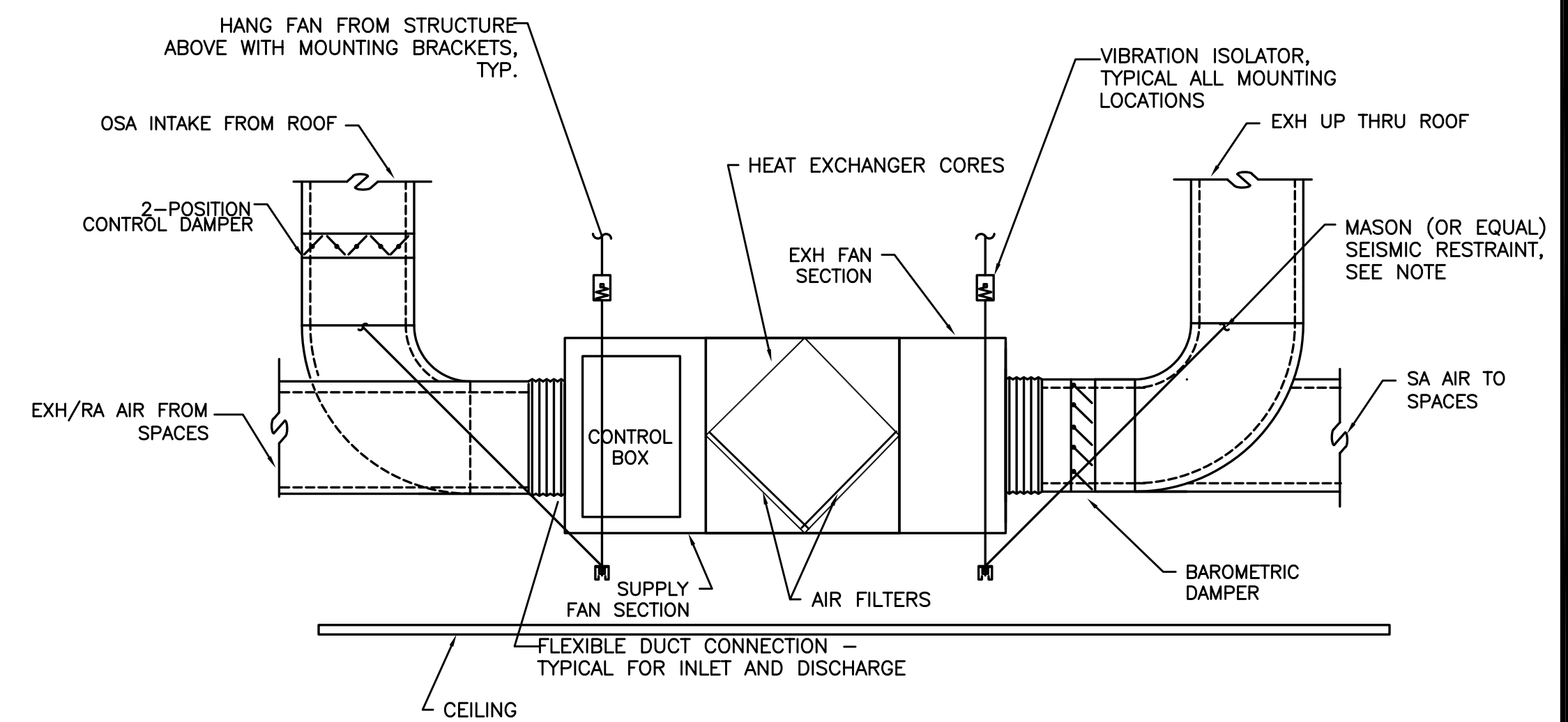


DO NOT ATTACHED UNIT DIRECTLY TO CURB CAP

4 CONDENSING UNIT ON (E)CURB
M6.1 SCALE: DETAIL



5 OSA/EXH ROOF PENETRATION
M6.1 SCALE: DETAIL



NOTE: LOCATE SUPPORT & SIESMIC TO MAINTAIN UNHINDERED ACCESS FOR MAINTENANCE OF UNIT.

PROVIDE INDEPENDENT HANGERS, ISOLATORS AND RESTRAINTS FOR STACKED UNITS(IAC-1 AND 2)

6 DOA-1 DETAIL
M6.1 SCALE: DETAIL

M
E
I
A
INC. Consulting Engineers
2007 S.E. Ash St.
Portland, OR 97214
PH: (503) 234-0548
FAX: (503) 234-0677
WWW.MEIA-ENG.COM
CONTACT: TAKAKO BAKER

SHEET:

M6.1