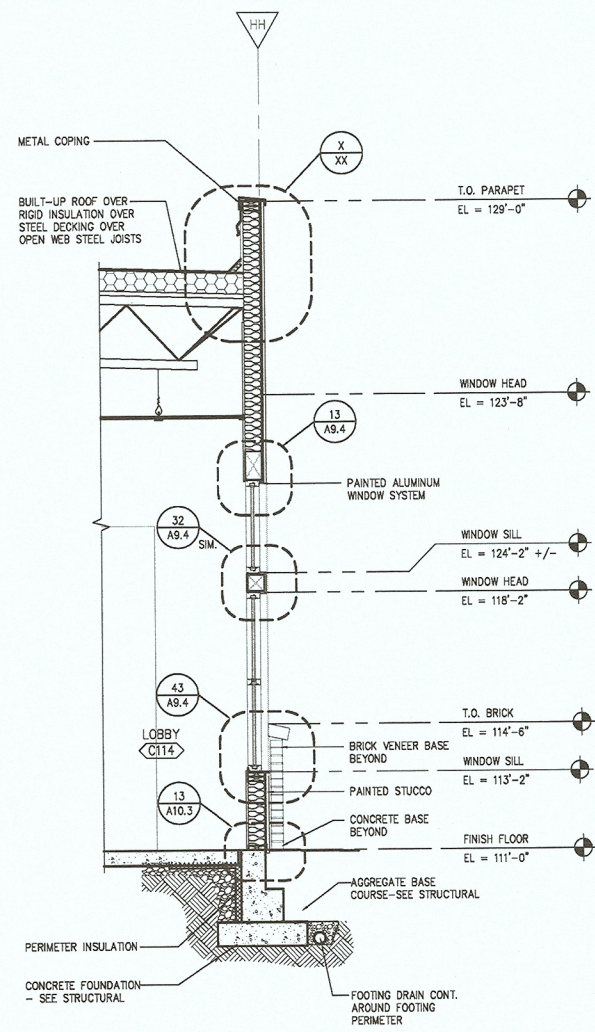
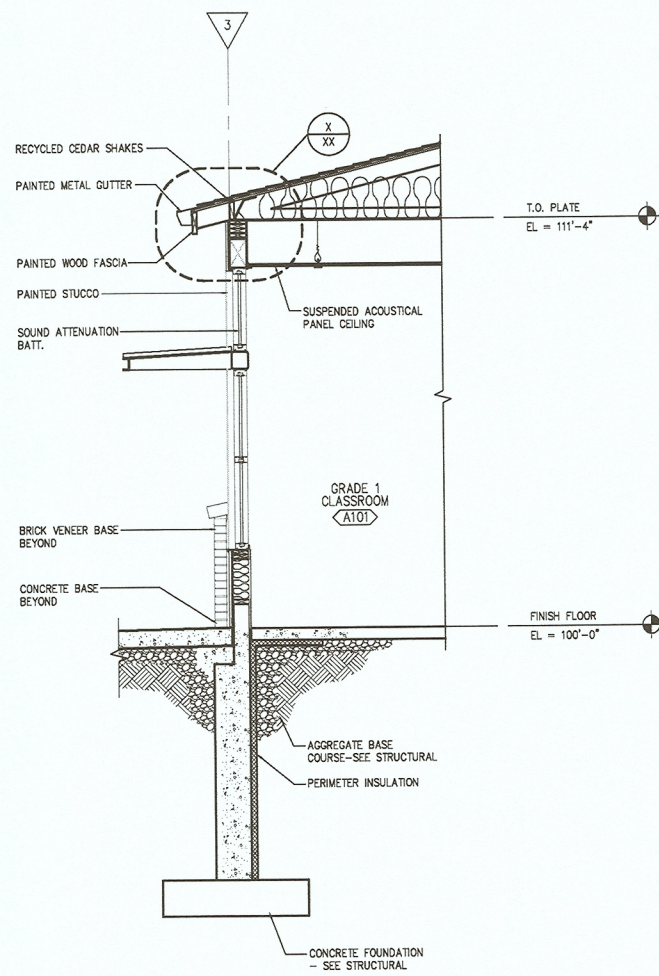


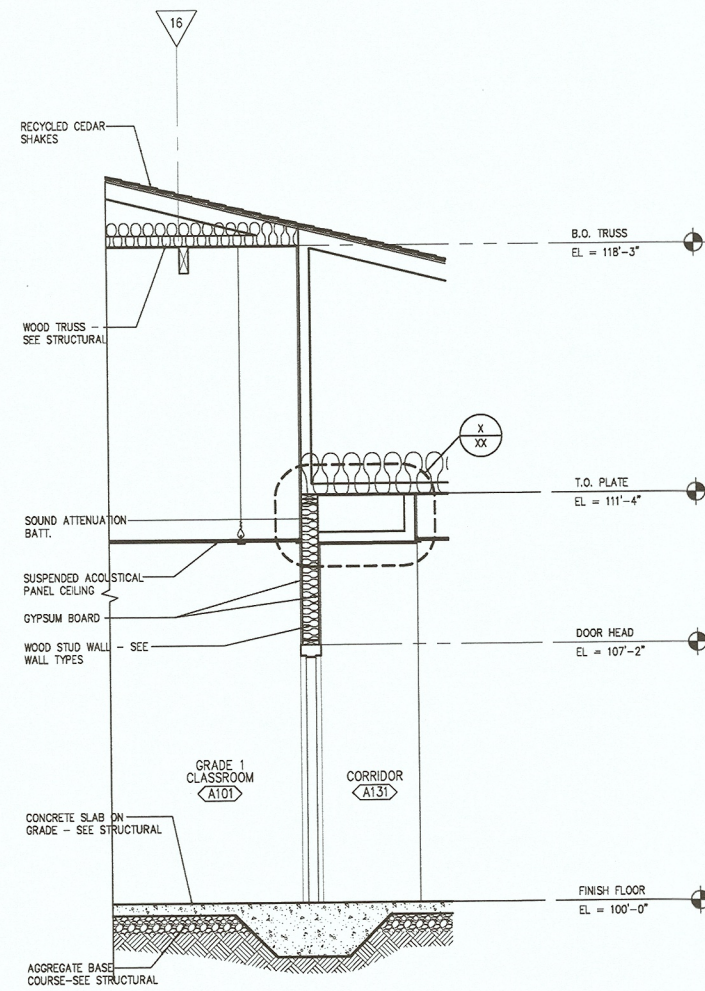
L:\Projects\74-07105-30\74-07105-30.dwg
 Mar 11, 2008 12:00pm
 1/1



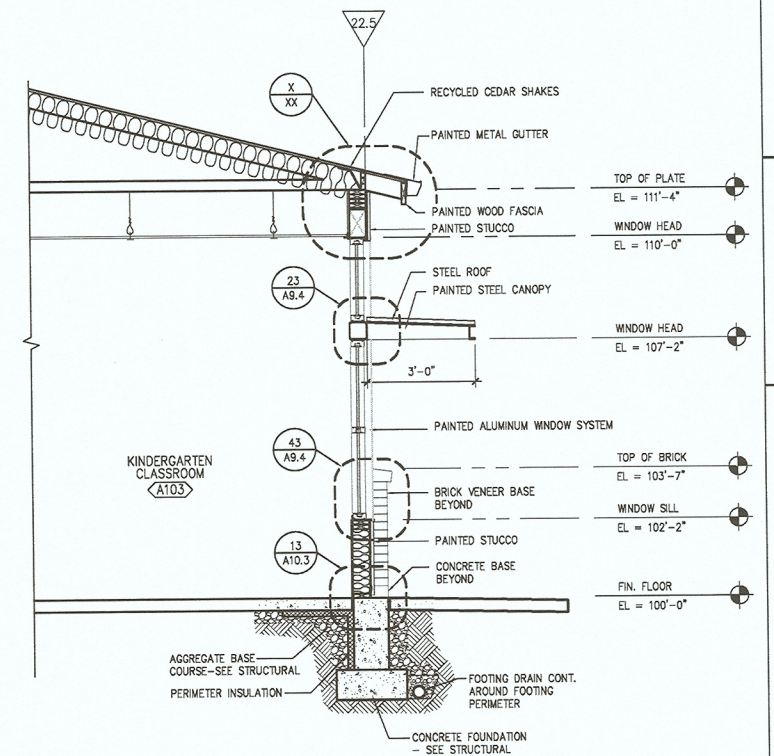
41
7.5
WALL SECTION @ LOBBY C114
 SCALE: 3/8" = 1'-0"



42
7.5
WALL SECTION @ CLASSROOM A101
 SCALE: 3/8" = 1'-0"



43
7.5
WALL SECTION @ CORRIDOR A131
 SCALE: 3/8" = 1'-0"



44
7.5
WALL SECTION @ CLASSROOM A103
 SCALE: 3/8" = 1'-0"

WALL SECTIONS
BELLVIEW ELEMENTARY

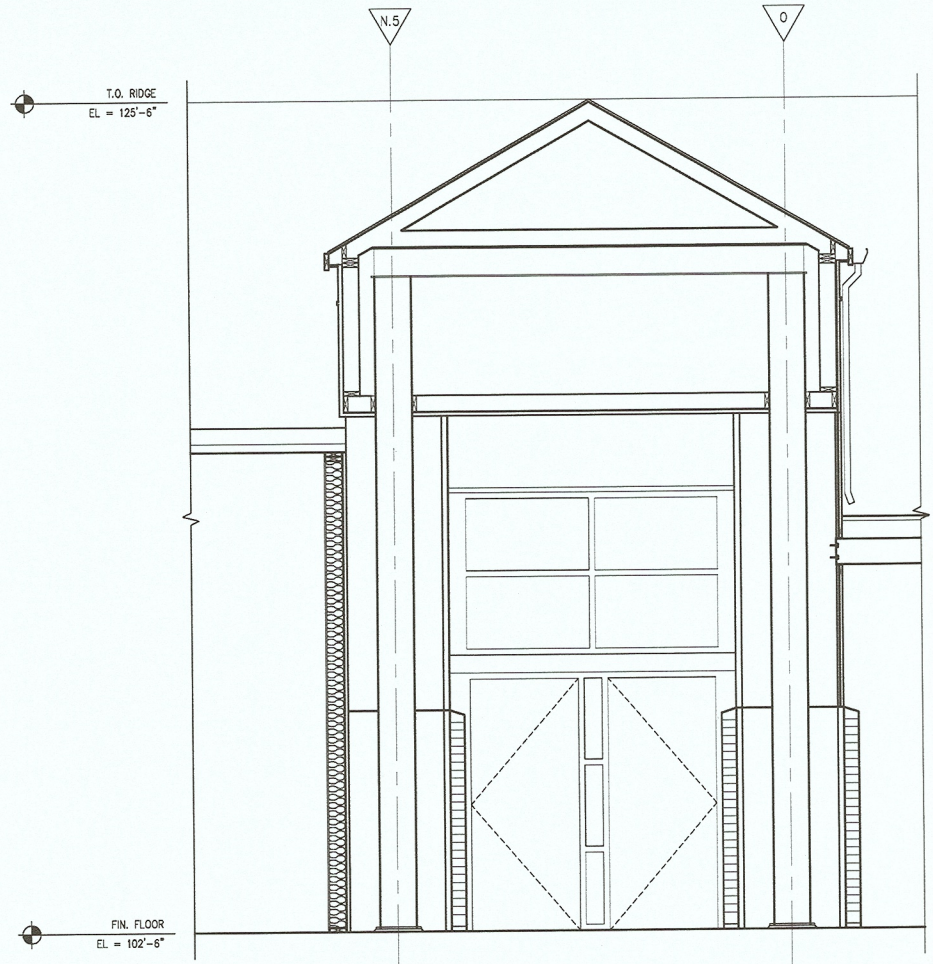
A7.5
 74-07105-30
 03-10-08

DLR Group
 Architecture Planning Interiors

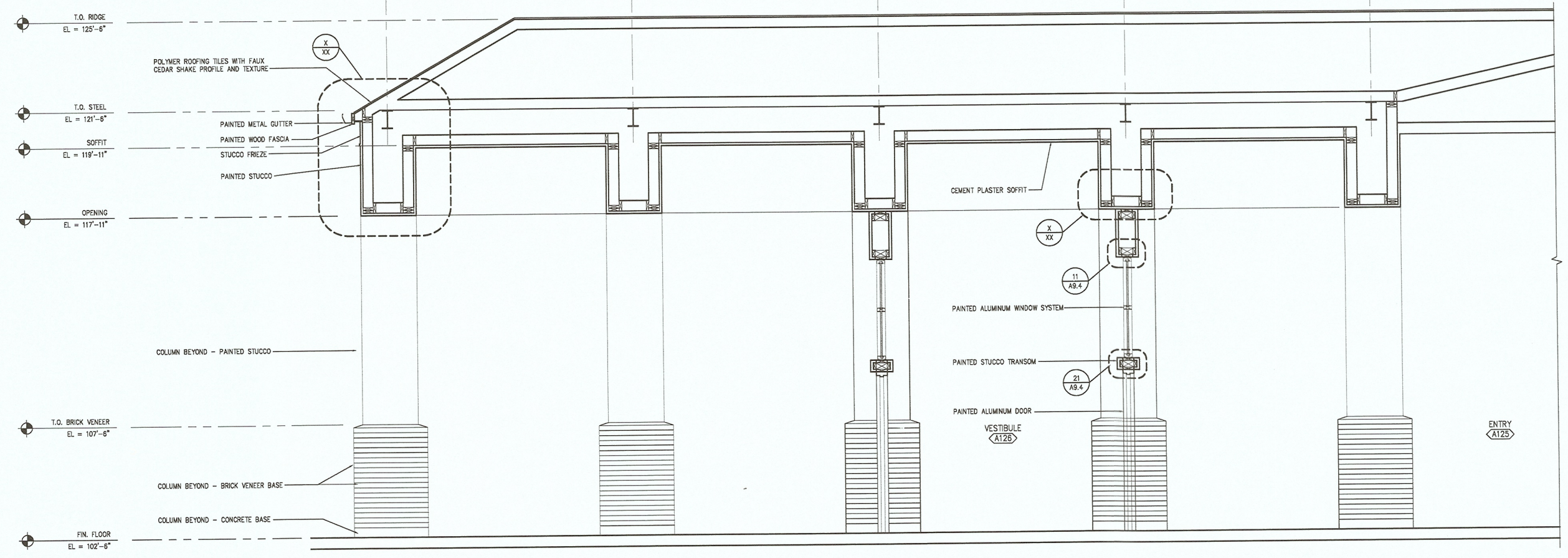
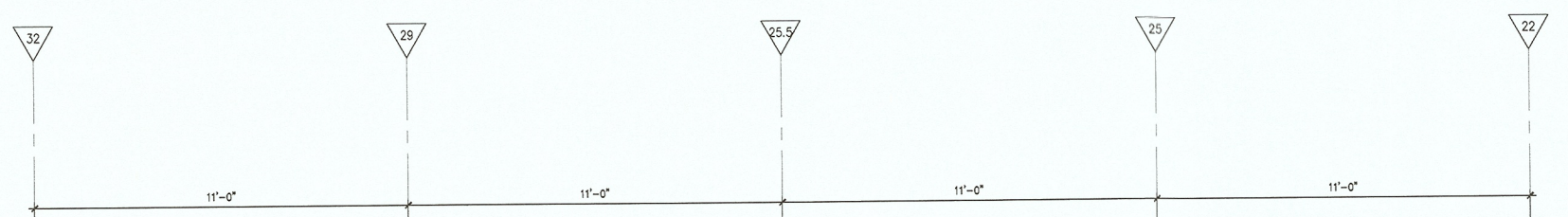
PRELIMINARY
PRINT
 03-1-08
 NOT FOR CONSTRUCTION

QA DRAWING SET

© 2007, DLR Group Architecture & Planning Inc., an Oregon corporation. ALL RIGHTS RESERVED.



21
A7.5
WALL SECTION @ ENTRY
SCALE: 3/8" = 1'-0"

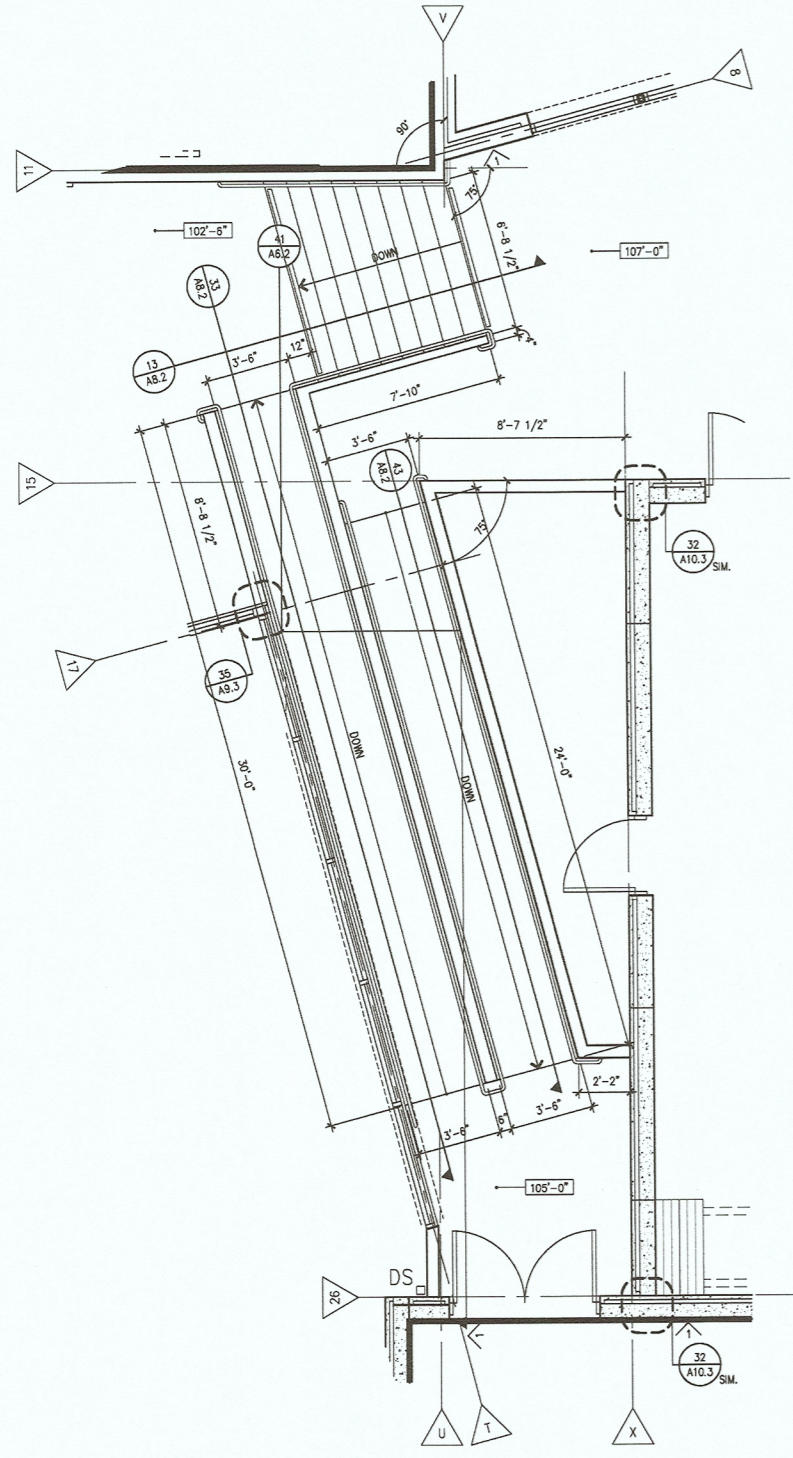


41
A7.6
WALL SECTION @ ENTRY
SCALE: 3/8" = 1'-0"

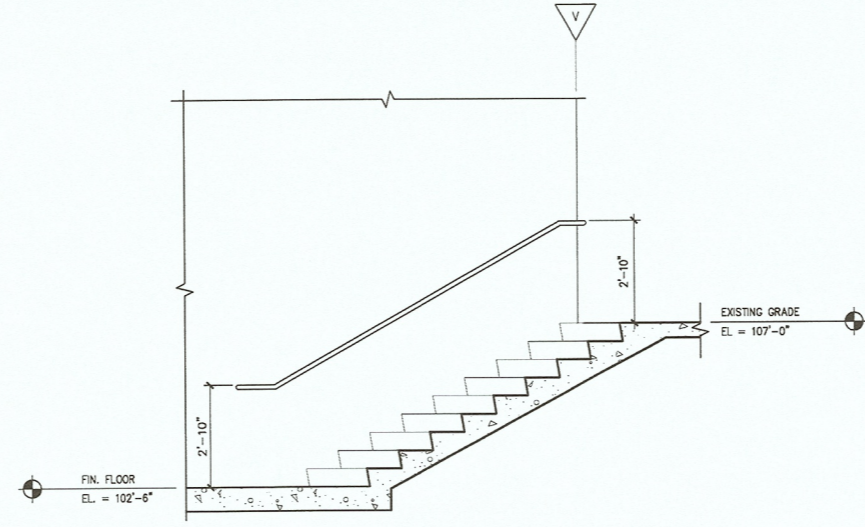
L:\Projects\74-07105-30\Drawings\A7-A7-6.dwg
Mar 11, 2008 12:03pm - rman

U:\Projects\NY 74-07105-30\Drawings\A8-2.dwg
 Date: 11/28/08 11:41pm - rca

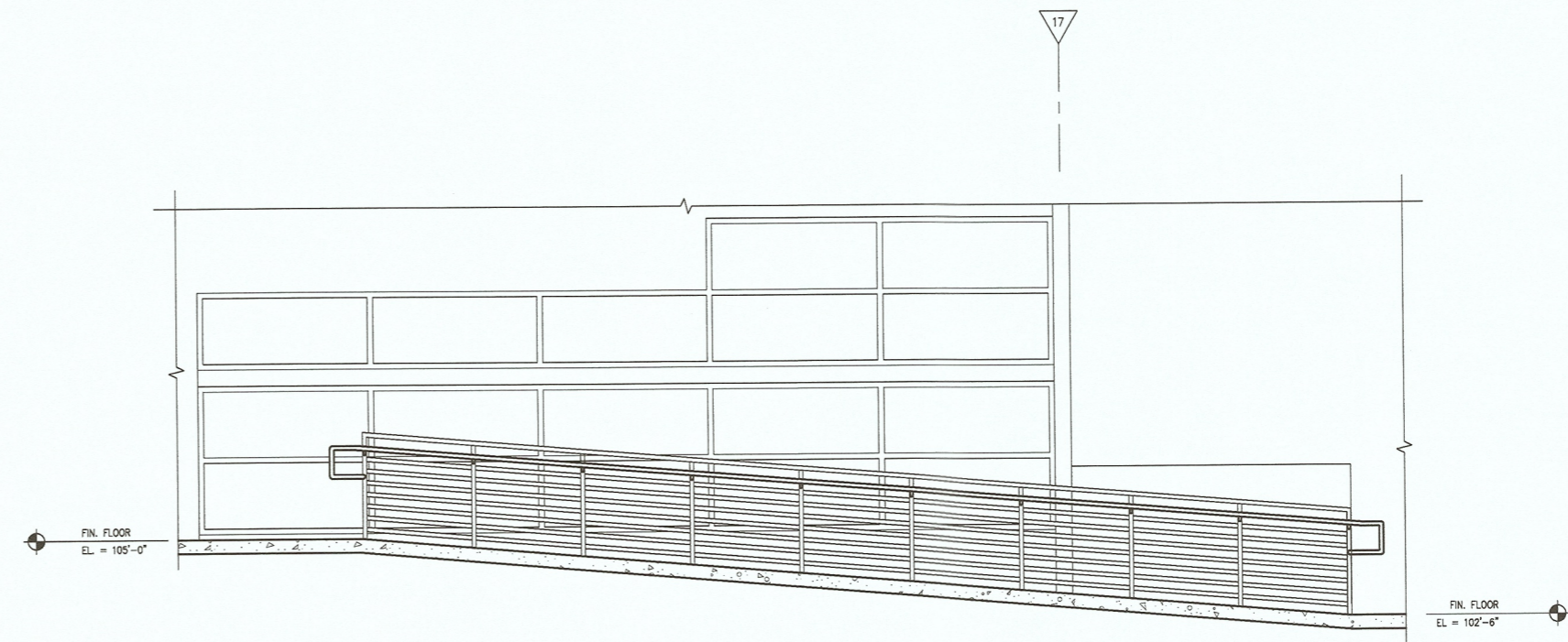
41
A8.2
STAIR B1S1 @ ENTRY A125
 SCALE: 1/4" = 1'-0"



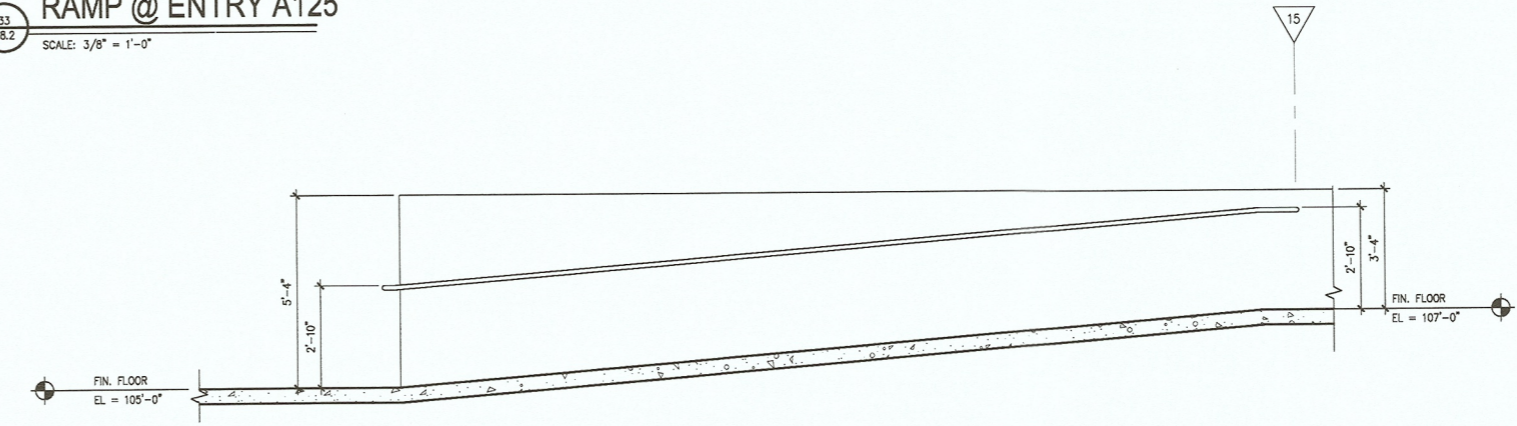
13
A8.2
STAIR B1S1
 SCALE: 3/8" = 1'-0"

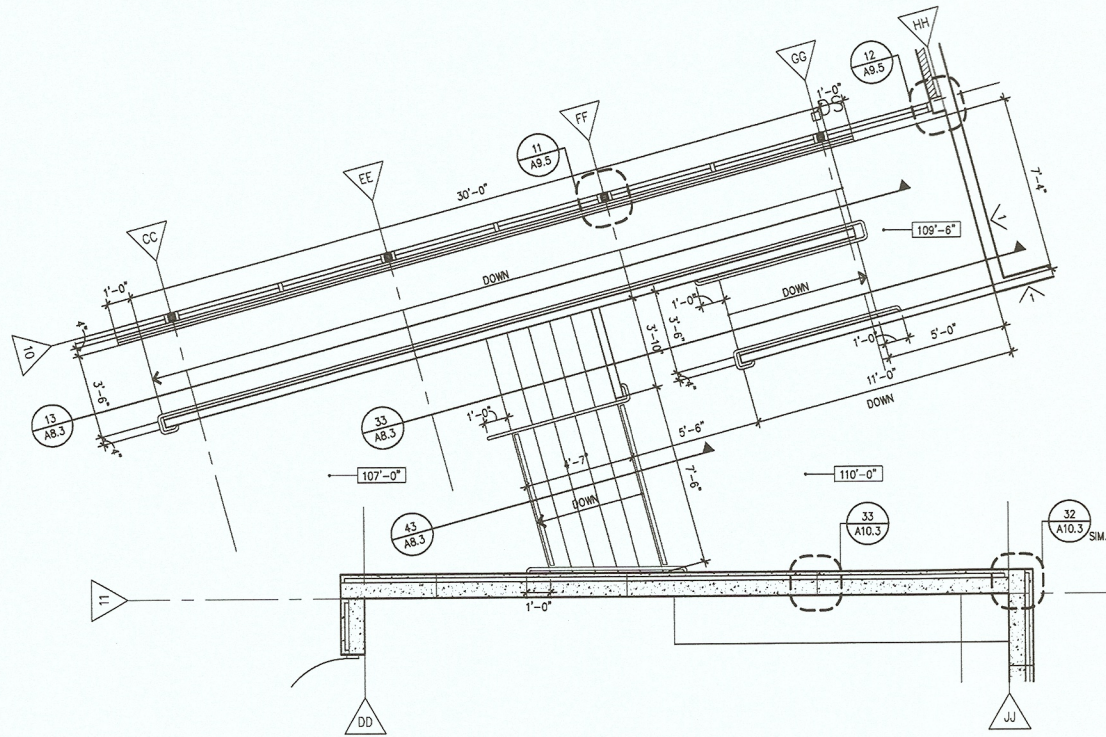


33
A8.2
RAMP @ ENTRY A125
 SCALE: 3/8" = 1'-0"



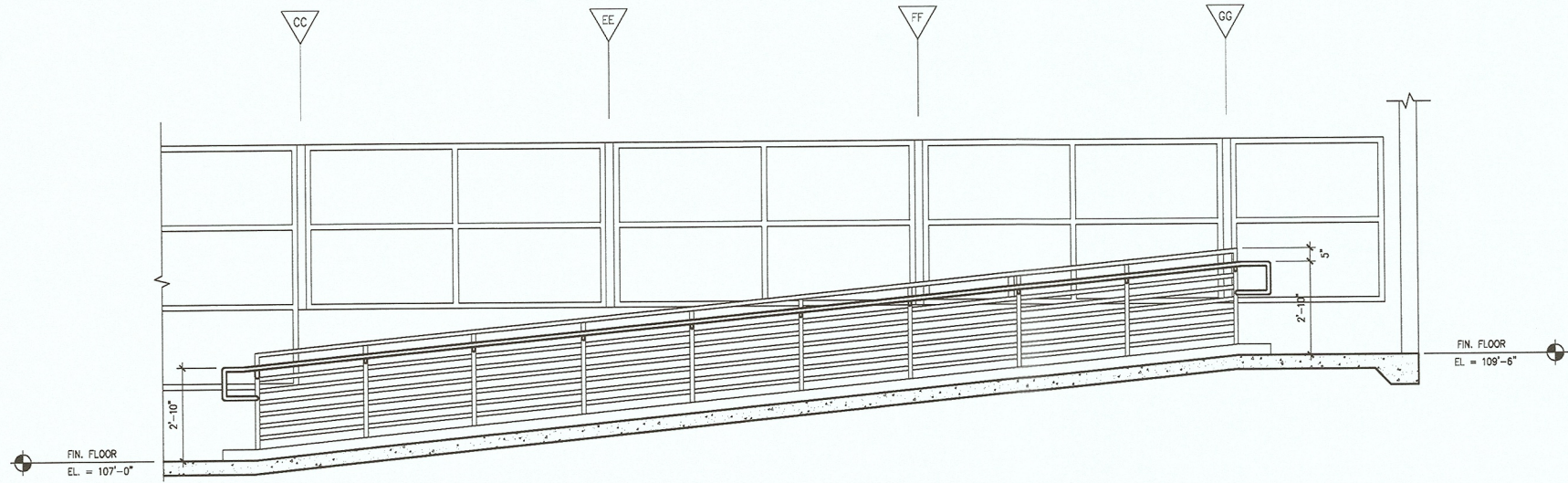
43
A8.2
RAMP @ CORRIDOR B100
 SCALE: 3/8" = 1'-0"





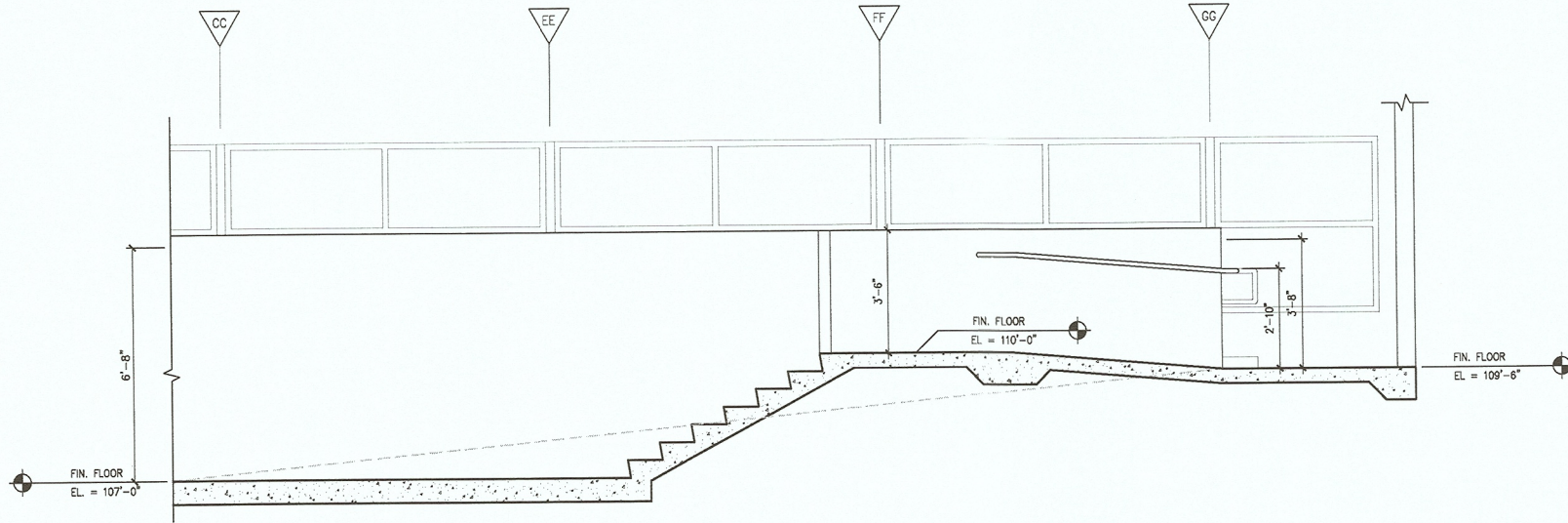
11
AB.3 STAIR B1S2 @ STUDENT COMMONS B101

SCALE: 1/4" = 1'-0"



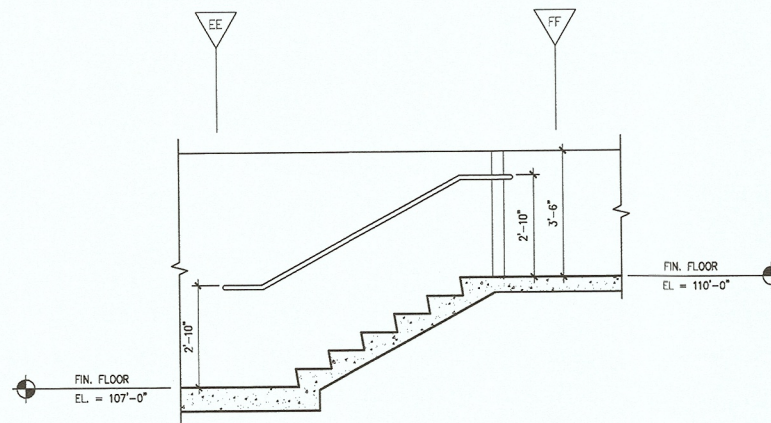
13
AB.3 RAMP @ STUDENT COMMONS B101

SCALE: 3/8" = 1'-0"



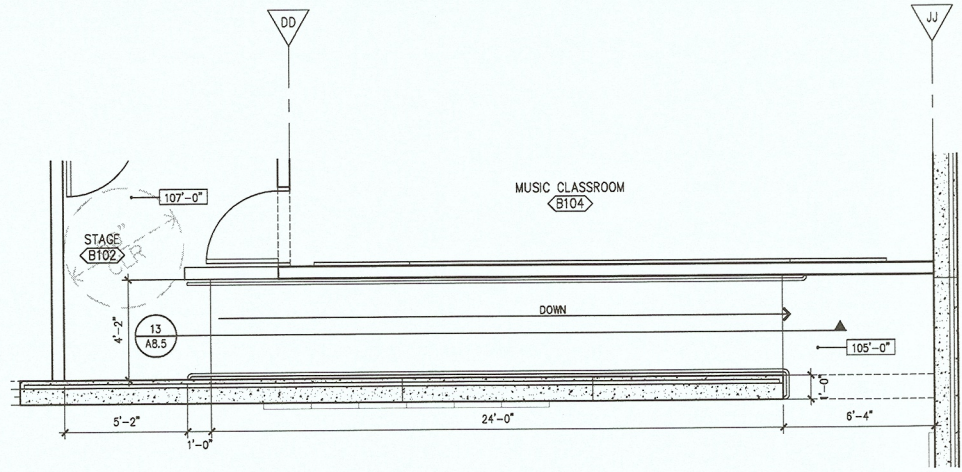
33
AB.3 STAIR B1S2 & RAMP

SCALE: 3/8" = 1'-0"

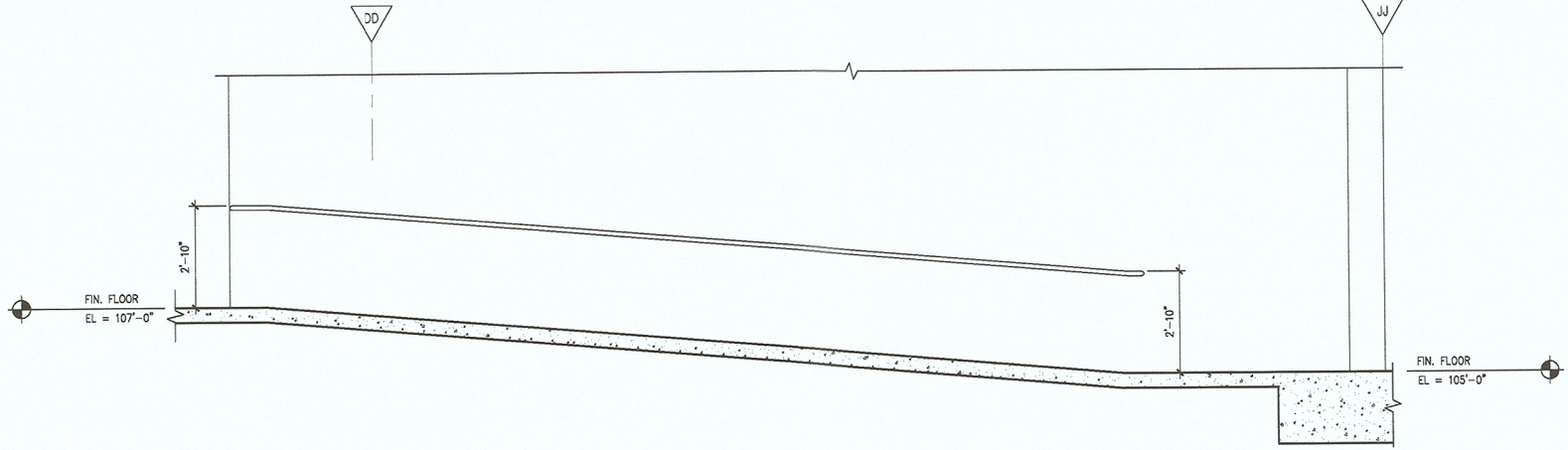


43
AB.3 STAIR B1S2

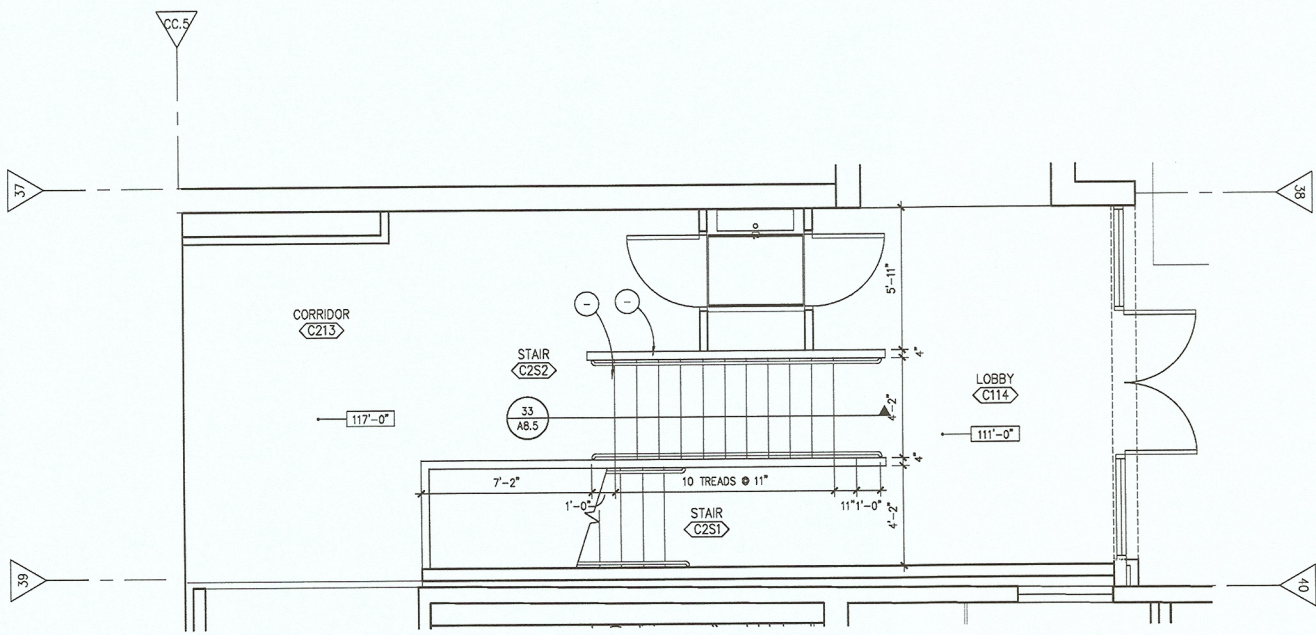
SCALE: 3/8" = 1'-0"



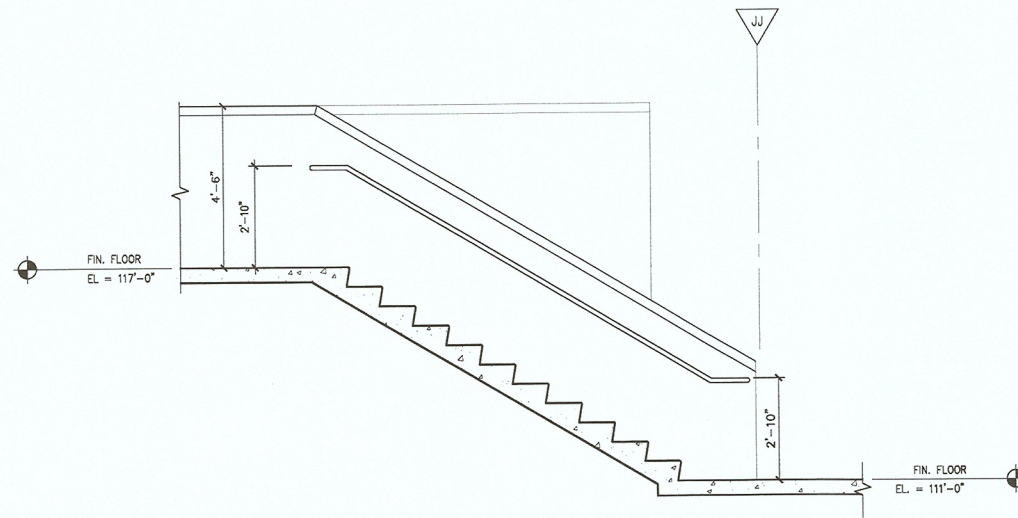
11
AB.5
RAMP @ STAGE B102
SCALE: 1/4" = 1'-0"



13
AB.4
RAMP @ STAGE B102
SCALE: 3/8" = 1'-0"

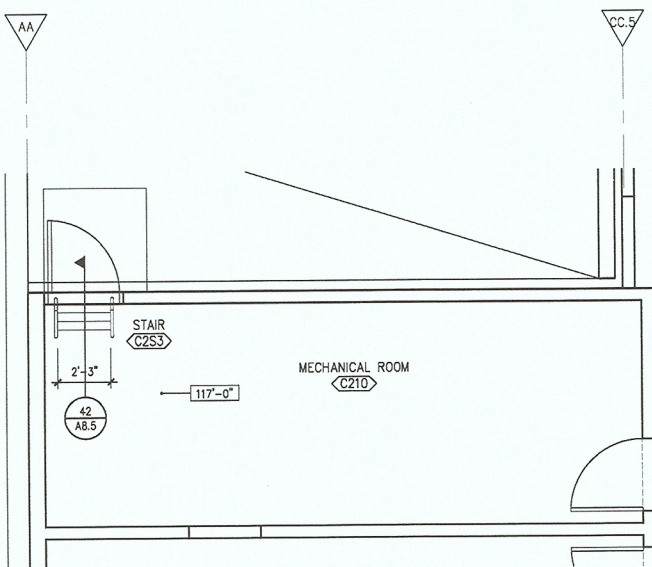


33
AB.5
STAIR C2S2
SCALE: 3/8" = 1'-0"

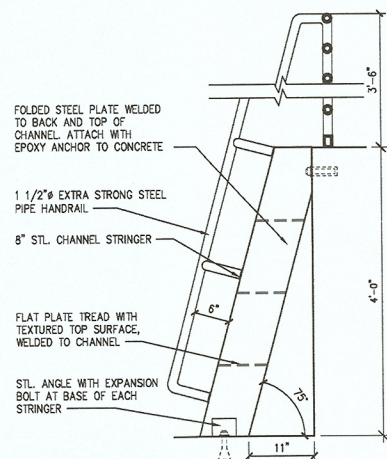


33
AB.5
STAIR C2S2
SCALE: 3/8" = 1'-0"

31
AB.5
STAIR C2S2
SCALE: 1/4" = 1'-0"



41
AB.5
STAIR C2S3
SCALE: 1/4" = 1'-0"



42
AB.5
DETAIL
SCALE: 3/4" = 1'-0"

FOLDED STEEL PLATE WELDED TO BACK AND TOP OF CHANNEL. ATTACH WITH EPOXY ANCHOR TO CONCRETE.

1 1/2" EXTRA STRONG STEEL PIPE HANDRAIL

6" STL. CHANNEL STRINGER

FLAT PLATE TREAD WITH TEXTURED TOP SURFACE, WELDED TO CHANNEL.

STL. ANGLE WITH EXPANSION BOLT AT BASE OF EACH STRINGER

L:\Projects\74-07105-30\74-07105-30.dwg Mar 11, 2008 1:40pm

DOOR & FRAME SCHEDULE NOTES

- ALL EXTERIOR HOLLOW METAL FRAMES SHALL BE GROUTED SOLID.
- ALL EXTERIOR FRAMES SHALL BE INSTALLED WITH 1/4" SHIM AND SEALANT AROUND PERIMETER OF FRAME.
- MASONRY LINTELS AND STEEL LINTELS ARE SHOWN ON STRUCTURAL DRAWINGS.
- GLASS TYPES FOR DOORS AND FRAMES ARE INDICATED IN THE SPECIFICATION.
- EXTERIOR FRAME TYPES ARE INDICATED WITH THE HEXAGON SYMBOL.
- SEE DIV. 8 SPECIFICATIONS FOR HARDWARE SETS.
- FRAMES SHALL HAVE A 2 INCH FACE PROFILE UNLESS NOTED OTHERWISE.
- ALL ALUMINUM STOREFRONT = ALUM.

DOOR AND FRAME SCHEDULE - AREA A

OPENING NUMBER	DOOR				FRAME				FIRE RATING	HARDWARE SET	HEAD DETAIL	JAMB DETAIL	SILL DETAIL	NOTES
	WIDTH	HEIGHT	DEPTH	TYPE	MATERIAL	TYPE	DEPTH	MATERIAL						
A100	3'-0"	7'-0"	1 3/4"	B	ALUM	1A	4 1/2"	ALUM	--	--	22/A9.4	12&42/A9.4	41/A9.4	
A100A	3'-0"	7'-0"	1 3/4"	D	WOOD	1	5 3/4"	HM	--	--	11/A9.3	11/A9.3	41/A9.3	
A101	3'-0"	7'-0"	1 3/4"	B	ALUM	1A	4 1/2"	ALUM	--	--	22/A9.4	12&42/A9.4	41/A9.4	
A101A	3'-0"	7'-0"	1 3/4"	D	WOOD	1	5 3/4"	HM	--	--	11/A9.3	11/A9.3	41/A9.3	
A102	3'-0"	7'-0"	1 3/4"	B	ALUM	1A	4 1/2"	ALUM	--	--	22/A9.4	12&42/A9.4	41/A9.4	
A102A	3'-0"	7'-0"	1 3/4"	D	WOOD	1	5 3/4"	HM	--	--	11/A9.3	11/A9.3	41/A9.3	
A103	3'-0"	7'-0"	1 3/4"	B	ALUM	1A	4 1/2"	ALUM	--	--	22/A9.4	12&42/A9.4	41/A9.4	
A103A	3'-0"	7'-0"	1 3/4"	D	WOOD	1	5 3/4"	HM	--	--	11/A9.3	11/A9.3	41/A9.3	
A104	3'-0"	7'-0"	1 3/4"	B	ALUM	1A	4 1/2"	ALUM	--	--	22/A9.4	12&42/A9.4	41/A9.4	
A104A	3'-0"	7'-0"	1 3/4"	D	WOOD	1	5 3/4"	HM	--	--	11/A9.3	11/A9.3	41/A9.3	
A105	3'-0"	7'-0"	1 3/4"	B	ALUM	1A	4 1/2"	ALUM	--	--	31/A9.5	see notes	see notes	jamb details 33 & 43/A9.5
A105A	3'-0"	7'-0"	1 3/4"	D	WOOD	1	5 3/4"	HM	--	--	11/A9.3	11/A9.3	41/A9.3	
A106	3'-0"	7'-0"	1 3/4"	B	ALUM	1A	4 1/2"	ALUM	--	--	22/A9.4	12&42/A9.4	41/A9.4	
A106A	3'-0"	7'-0"	1 3/4"	D	WOOD	1	5 3/4"	HM	--	--	31/A9.5	see notes	see notes	jamb details 33 & 43/A9.5
A107	3'-0"	7'-0"	1 3/4"	B	ALUM	1A	4 1/2"	ALUM	--	--	22/A9.4	12&42/A9.4	41/A9.4	
A107A	3'-0"	7'-0"	1 3/4"	D	WOOD	1	5 3/4"	HM	--	--	11/A9.3	11/A9.3	41/A9.3	
A108	3'-0"	7'-0"	1 3/4"	B	ALUM	1	4 1/2"	ALUM	--	--	22/A9.4	12&42/A9.4	41/A9.3	
A109	3'-0"	7'-0"	1 3/4"	B	ALUM	1	4 1/2"	ALUM	--	--	31/A9.5	12&42/A9.4	41/A9.5	
A112	3'-0"	7'-0"	1 3/4"	C	WOOD	3	5 3/4"	HM	--	--	11/A9.3	11/A9.3	41/A9.3	
A113	3'-0"	7'-0"	1 3/4"	C	WOOD	3	5 3/4"	HM	--	--	11/A9.3	11/A9.3	41/A9.3	
A115	3'-0"	7'-0"	1 3/4"	A1	HM	1	5 3/4"	HM	--	--	11/A9.3	11/A9.3	41/A9.3	
A117	3'-0"	7'-0"	1 3/4"	E	HM	1	5 3/4"	HM	--	--	11/A9.3	11/A9.3	41/A9.3	
A118	3'-0"	7'-0"	1 3/4"	C	HM	1	5 3/4"	HM	--	--	11/A9.3	11/A9.3	41/A9.3	
A119	3'-0"	7'-0"	1 3/4"	C	HM	1	5 3/4"	HM	--	--	11/A9.3	11/A9.3	41/A9.3	
A120	3'-0"	7'-0"	1 3/4"	A1	HM	1	5 3/4"	HM	--	--	11/A9.3	11/A9.3	41/A9.3	
A121	3'-0"	7'-0"	1 3/4"	D	HM	1	5 3/4"	HM	--	--	11/A9.3	11/A9.3	41/A9.3	
A123	PR 3'-0"	7'-0"	1 3/4"	B	ALUM	1	4 1/2"	ALUM	--	--	31/A9.5	12&42/A9.4	41/A9.4	
A123A														
A123B														
A124	3'-0"	7'-0"	1 3/4"	A	HM	1	5 3/4"	HM	--	--	11/A9.3	11/A9.3	41/A9.3	
A125	PR 3'-0"	7'-0"	1 3/4"	B	ALUM	1	4 1/2"	ALUM	--	--	31/A9.4	21/A9.4	41/A9.4	
A126	PR 3'-0"	7'-0"	1 3/4"	B	ALUM	1	4 1/2"	ALUM	--	--	31/A9.4	21/A9.4	41/A9.4	

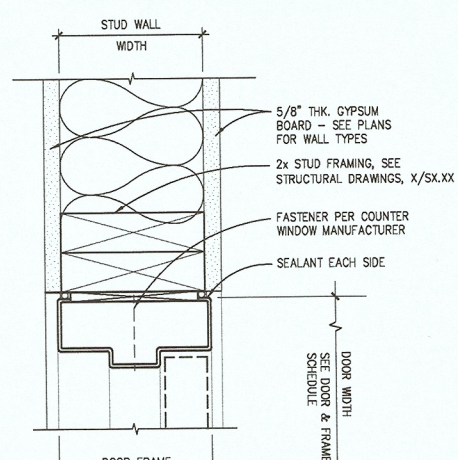
DOOR AND FRAME SCHEDULE - AREA A

OPENING NUMBER	DOOR				FRAME				FIRE RATING	HARDWARE SET	HEAD DETAIL	JAMB DETAIL	SILL DETAIL	NOTES
	WIDTH	HEIGHT	DEPTH	TYPE	MATERIAL	TYPE	DEPTH	MATERIAL						
B100	PR 3'-0"	7'-0"	1 3/4"	C	HM	5	5 3/4"	HM	--	--	34/A9.4	34/A9.4	44/A9.4	
B101	PR 3'-0"	7'-0"	1 3/4"	B	ALUM	5A	4 1/2"	ALUM	--	--	22/A9.5	see notes	41/A9.5	jamb det. 12/A9.5, mullion 11/19.5
B102	3'-0"	7'-0"	1 3/4"	A1	HM	5	5 3/4"	HM	--	--	34/A9.4	34/A9.4	44/A9.4	
B102A	24'-0"	9'-0"	--	J	--	--	--	--	--	--	31&32/A9.6	41/A9.6	31&32/A9.6	operable partition
B102B	3'-0"	7'-0"	1 3/4"	C	HM	1	5 3/4"	HM	--	--	11/A9.3	11/A9.3	41/A9.3	
B103	3'-0"	7'-0"	1 3/4"	E	HM	1	5 3/4"	HM	--	--	34/A9.4	34/A9.4	44/A9.4	
B104	3'-0"	7'-0"	1 3/4"	D	WOOD	4	5 3/4"	HM	--	--	34/A9.4	34/A9.4	44/A9.4	
B104A	3'-0"	7'-0"	1 3/4"	D	WOOD	1	5 3/4"	HM	--	--	11/A9.3	11/A9.3	41/A9.3	
B105	3'-0"	7'-0"	1 3/4"	B	ALUM	1A	4 1/2"	ALUM	--	--	22/A9.4	12&42/A9.4	41/A9.4	
B105A	3'-0"	7'-0"	1 3/4"	D	WOOD	1	5 3/4"	HM	--	--	11/A9.3	11/A9.3	41/A9.3	
B106	3'-0"	7'-0"	1 3/4"	B	ALUM	1A	4 1/2"	ALUM	--	--	31/A9.5	see notes	see notes	jamb details 33 & 43/A9.5
B106A	3'-0"	7'-0"	1 3/4"	D	WOOD	1	5 3/4"	HM	--	--	11/A9.3	11/A9.3	41/A9.3	
B107	3'-0"	7'-0"	1 3/4"	B	ALUM	1A	4 1/2"	ALUM	--	--	31/A9.5	see notes	see notes	jamb details 33 & 43/A9.5
B107A	3'-0"	7'-0"	1 3/4"	D	WOOD	1	5 3/4"	HM	--	--	11/A9.3	11/A9.3	41/A9.3	
B108	3'-0"	7'-0"	1 3/4"	B	ALUM	1A	4 1/2"	ALUM	--	--	22/A9.4	12&42/A9.4	41/A9.4	
B108A	3'-0"	7'-0"	1 3/4"	D	WOOD	1	5 3/4"	HM	--	--	11/A9.3	11/A9.3	41/A9.3	
B109	3'-0"	7'-0"	1 3/4"	B	ALUM	1A	4 1/2"	ALUM	--	--	22/A9.4	12&42/A9.4	41/A9.4	
B109A	3'-0"	7'-0"	1 3/4"	D	WOOD	1	5 3/4"	HM	--	--	11/A9.3	11/A9.3	41/A9.3	
B110	3'-0"	7'-0"	1 3/4"	C	WOOD	2	5 3/4"	HM	--	--	11/A9.3	11&32/A9.3	41/A9.3	
B111	3'-0"	7'-0"	1 3/4"	A1	WOOD	1	5 3/4"	HM	--	--	11/A9.3	11/A9.3	41/A9.3	
B111A	3'-0"	7'-0"	1 3/4"	A1	WOOD	1	5 3/4"	HM	--	--	11/A9.3	11/A9.3	41/A9.3	
B112	3'-0"	7'-0"	1 3/4"	E	WOOD	1	5 3/4"	HM	--	--	11/A9.3	11/A9.3	41/A9.3	
B112A	3'-0"	7'-0"	1 3/4"	E	WOOD	1	5 3/4"	HM	--	--	11/A9.3	11/A9.3	41/A9.3	
B113	3'-0"	7'-0"	1 3/4"	E	WOOD	1	5 3/4"	HM	--	--	11/A9.3	11/A9.3	41/A9.3	
B114	3'-0"	7'-0"	2"	B	ALUM	1A	4 1/2"	ALUM	--	--	22/A9.4	12&42/A9.4	41/A9.4	
B114A	3'-0"	7'-0"	1 3/4"	D	WOOD	1	5 3/4"	HM	--	--	11/A9.3	11/A9.3	41/A9.3	
B116	3'-0"	7'-0"	1 3/4"	A	WOOD	1	5 3/4"	HM	--	--	11/A9.3	11/A9.3	41/A9.3	
B119	3'-0"	7'-0"	1 3/4"	C	WOOD	1	5 3/4"	HM	--	--	11/A9.3	11/A9.3	41/A9.3	
B120	3'-0"	7'-0"	1 3/4"	C	WOOD	1	5 3/4"	HM	--	--	11/A9.3	11/A9.3	41/A9.3	
B122	3'-0"	7'-0"	1 3/4"	E	WOOD	1	5 3/4"	HM	--	--	11/A9.3	11/A9.3	41/A9.3	
B123	3'-0"	7'-0"	1 3/4"	B	HM	1	5 3/4"	HM	--	--	31/A9.5	12/A9.4	41/A9.5	
B123A	16'-0"	10'-0"	--	K	--	--	--	--	--	--	15/A9.6	25,35,&45/A9.6	--	coiling grills roll-up door
B123B	16'-0"	10'-0"	--	K	--	--	--	--	--	--	15/A9.6	25,35,&45/A9.6	--	coiling grills roll-up door
B125	3'-0"	7'-0"	1 3/4"	B	HM	1	5 3/4"	HM	--	--	31/A9.5	12/A9.4	41/A9.5	

DOOR AND FRAME SCHEDULE - AREA C

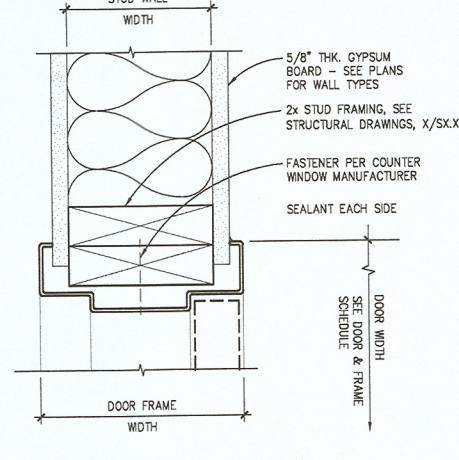
OPENING NUMBER	DOOR				FRAME				FIRE RATING	HARDWARE SET	HEAD DETAIL	JAMB DETAIL	SILL DETAIL	NOTES
	WIDTH	HEIGHT	DEPTH	TYPE	MATERIAL	TYPE	DEPTH	MATERIAL						
C101	PR 3'-0"	7'-0"	1 3/4"	B	HM	5	5 3/4"	HM	--	--	34/A9.4	34/A9.4	44/A9.4	
C101A	PR 3'-0"	7'-0"	1 3/4"	B	HM	5	5 3/4"	HM	--	--	34/A9.4	34/A9.4	44/A9.4	
C101B	3'-0"	7'-0"	1 3/4"	A1	HM	5	5 3/4"	HM	--	--	34/A9.4	34/A9.4	44/A9.4	
C101C	24'-0"	14'-0"	--	J1	--	--	--	--	--	--	31&32/A9.6	41/A9.6	31&32/A9.6	operable partition
C101D	24'-0"	10'-0"	--	K	--	--	--	--	--	--	13/A9.6	23/A9.6	33/A9.6	coiling roll-up door
C102	3'-0"	7'-0"	1 3/4"	B	ALUM	5A	4 1/2"	ALUM	--	--	31/A9.5	31/A9.5	41/A9.5	jamb detail 14/A9.4
C102A	3'-0"	7'-0"	1 3/4"	C	HM	1	5 3/4"	HM	--	--	11/A9.3	11/A9.3	41/A9.3	
C103	3'-0"	7'-0"	1 3/4"	C	HM	1	5 3/4"	HM	--	--	34/A9.4	34/A9.4	44/A9.4	
C104	see notes	7'-0"	1 3/4"	L	HM	5B	5 3/4"	HM	--	--	11/A9.3	11/A9.3	41/A9.3	see door type L
C104A	3'-0"	7'-0"	1 3/4"	E	HM	1	5 3/4"	HM	--	--	11/A9.3	11/A9.3	41/A9.3	
C105	3'-0"	7'-0"	1 3/4"	C1	SS	1B	5 3/4"	SS	--	--	44/A9.6	44/A9.6	43/A9.6	
C105A	3'-0"	7'-0"	--	G	ALUM	--	--	--	--	--	14/A9.6	34/A9.6	24/A9.6	
C105B	3'-0"	7'-0"	--	F	ALUM	--	--	--	--	--	21/A9.6	21/A9.6	22/A9.6	
C105C	3'-0"	7'-0"	1 3/4"	A2	SS	1B	5 3/4"	SS	--	--	44/A9.6	44/A9.6	43/A9.6	
C105D	3'-0"	7'-0"	--	F	ALUM	--	--	--	--	--	21/A9.6	21/A9.6	22/A9.6	
C106	3'-0"	7'-0"	1 3/4"	A	HM	1	5 3/4"	HM	--	--	11/A9.3	11/A9.3	41/A9.3	
C107	3'-0"	7'-0"	1 3/4"	A	HM	1	5 3/4"	HM	--	--	11/A9.3	11/A9.3	41/A9.3	
C108	3'-0"	7'-0"	1 3/4"	A	HM	1	5 3/4"	HM	--	--	11/A9.3	11/A9.3	41/A9.3	
C109	PR 3'-0"	7'-0"	1 3/4"	C	HM	5	5 3/4"	HM	--	--	11/A9.3	11/A9.3	41/A9.3	
C110	3'-0"	7'-0"	1 3/4"	E	HM	1	5 3/4"	HM	--	--	12/A9.3	12/A9.3	22/A9.3	
C110A	3'-2"	7'-0"	1 3/4"	E	HM	1C	5 3/4"	HM	--	--	12/A9.3	12/A9.3	22/A9.3	
C111	3'-0"	7'-0"	1 3/4"	E	HM	1	5 3/4"	HM	--	--	12/A9.3	12/A9.3	22/A9.3	
C112	3'-0"	7'-0"	1 3/4"	E	HM	1	5 3/4"	HM	--	--	12/A9.3	12/A9.3	22/A9.3	
C113	PR 3'-0"	7'-0"	1 3/4"	E	HM	1	5 3/4"	HM	--	--	12/A9.3	12/A9.3	22/A9.3	
C114	PR 3'-0"	7'-0"	1 3/4"	B	ALUM	5A	4 1/2"	ALUM	--	--	31/A9.5	31/A9.5	41/A9.5	jamb detail 14/A9.4
C115	3'-0"	7'-0"	1 3/4"	D	WOOD	1	5 3/4"	HM	--	--	11/A9.3	11/A9.3	41/A9.3	
C115A	3'-0"	7'-0"	1 3/4"	C	WOOD	1	5 3/4"	HM	--	--	11/A9.3	11/A9.3	41/A9.3	
C117A	3'-0"	7'-0"	1 3/4"	D	WOOD	1	5 3/4"							

L:\Projects\14-07105-30\Drawings\14-07105-30-A9-3.dwg
Mar 11, 2008 1:49pm - resnu



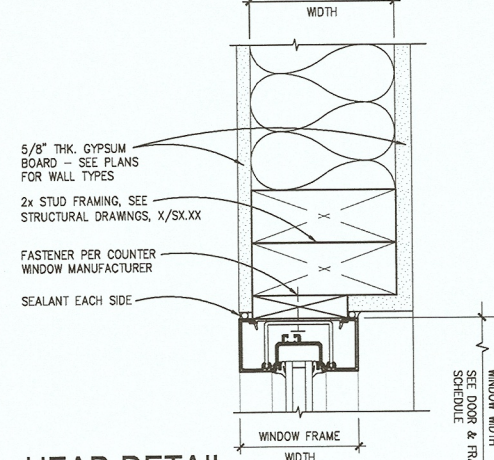
11 HEAD DETAIL

SCALE: 3" = 1'-0"



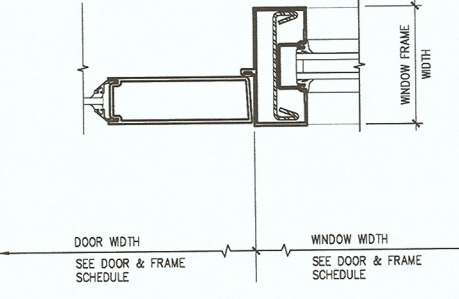
(E) HEAD/JAMB DETAIL

SCALE: 3" = 1'-0"



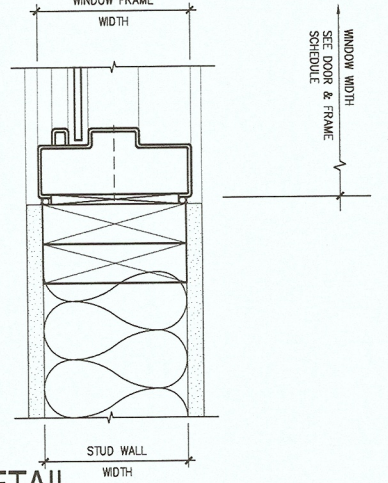
HEAD DETAIL

SCALE: 3" = 1'-0"



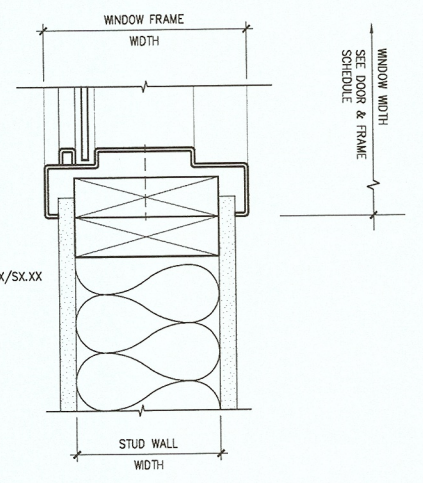
15 JAMB DETAIL

SCALE: 3" = 1'-0"



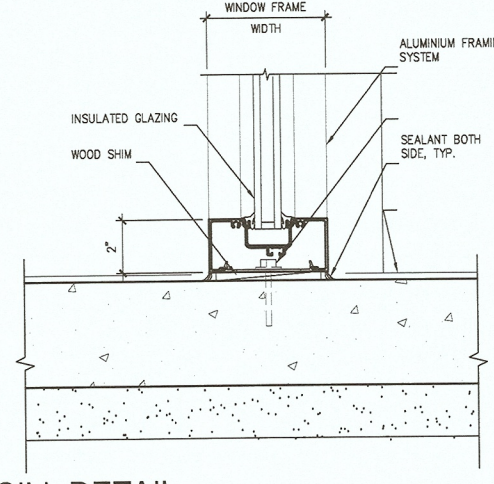
21 JAMB DETAIL

SCALE: 3" = 1'-0"



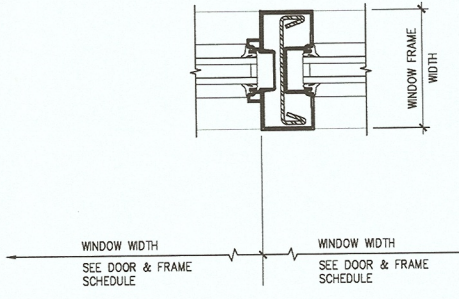
22 DETAIL

SCALE: 3" = 1'-0"



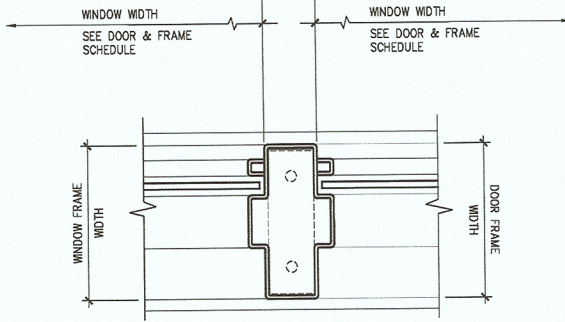
23 SILL DETAIL

SCALE: 3" = 1'-0"



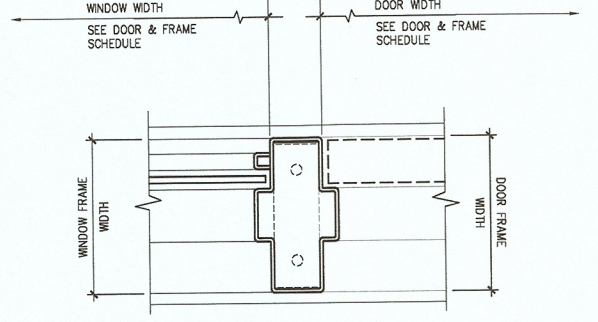
25 MULLION DETAIL

SCALE: 3" = 1'-0"



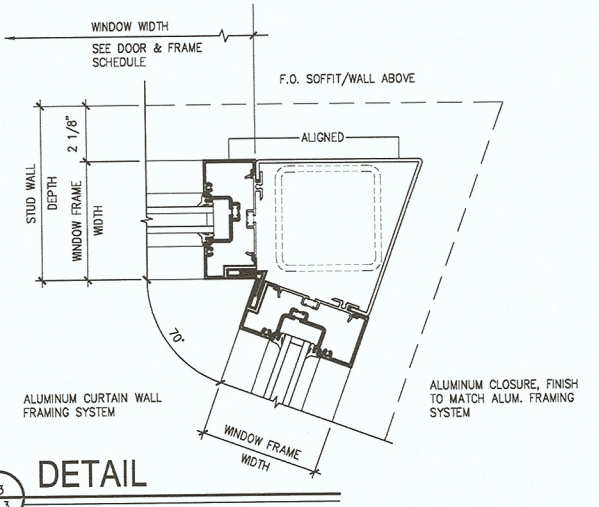
31 MULLION DETAIL

SCALE: 3" = 1'-0"



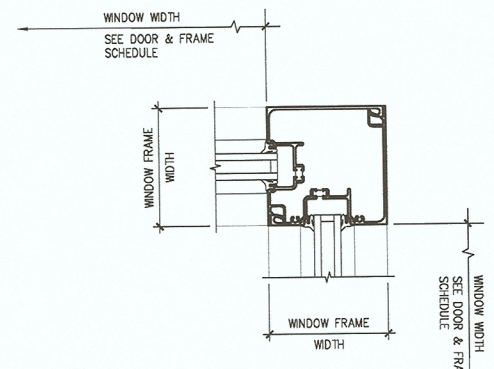
32 DETAIL

SCALE: 3" = 1'-0"



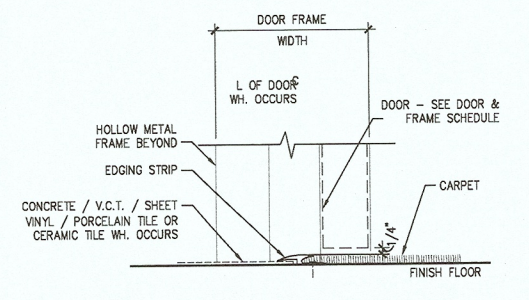
33 DETAIL

SCALE: 3" = 1'-0"



35 OUTSIDE CORNER DETAIL

SCALE: 3" = 1'-0"



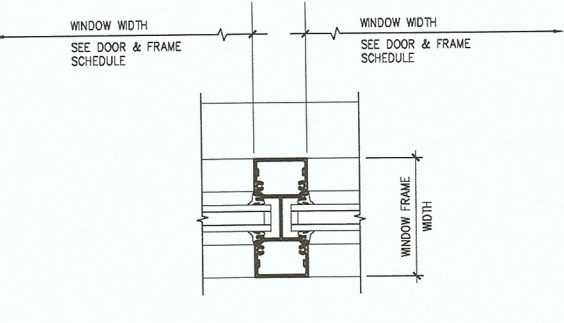
41 DETAIL

SCALE: 3" = 1'-0"



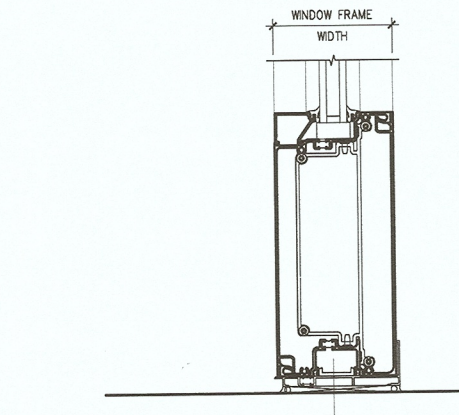
42 DETAIL

SCALE: 3" = 1'-0"



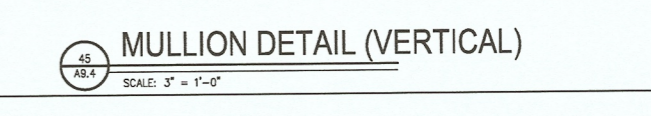
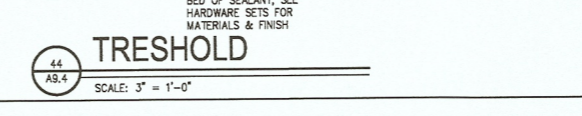
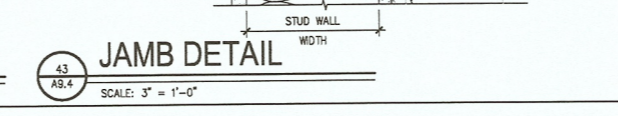
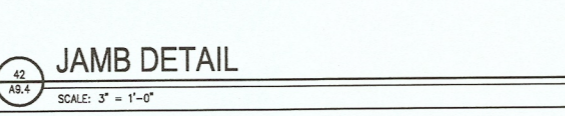
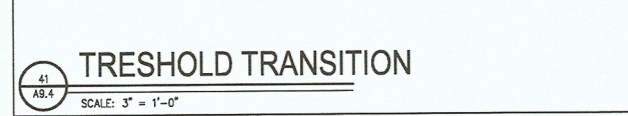
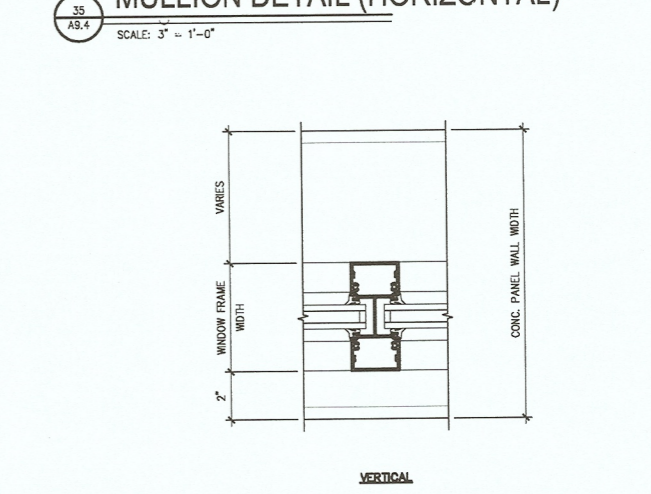
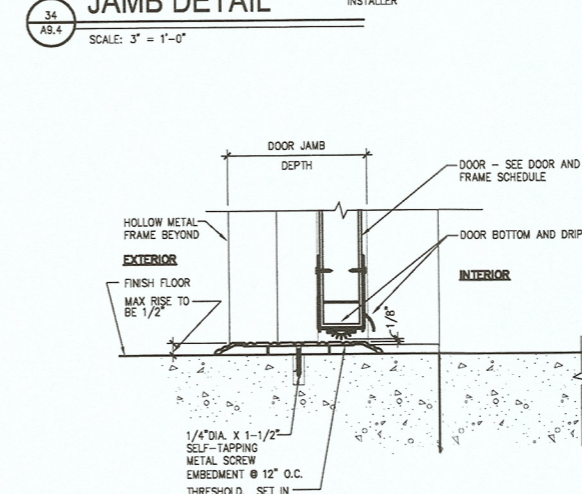
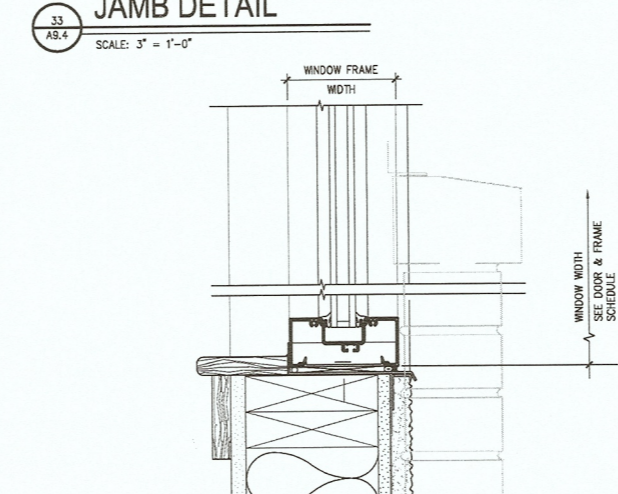
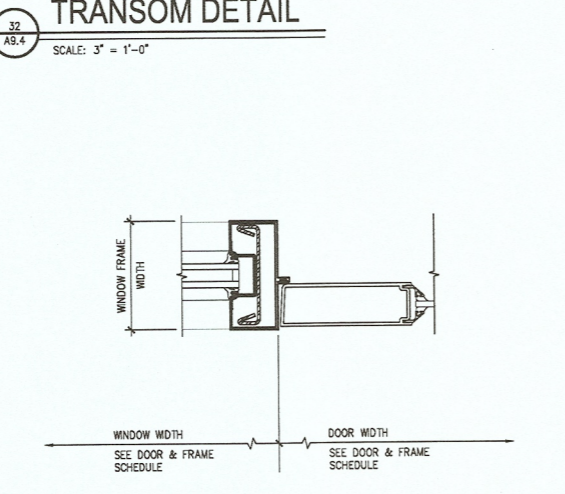
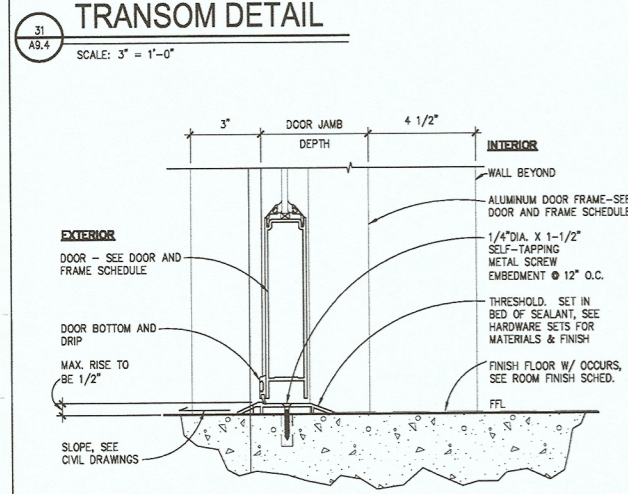
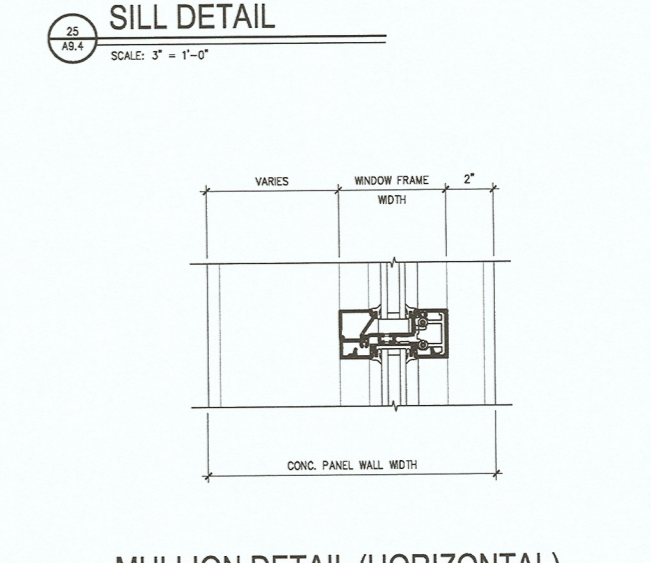
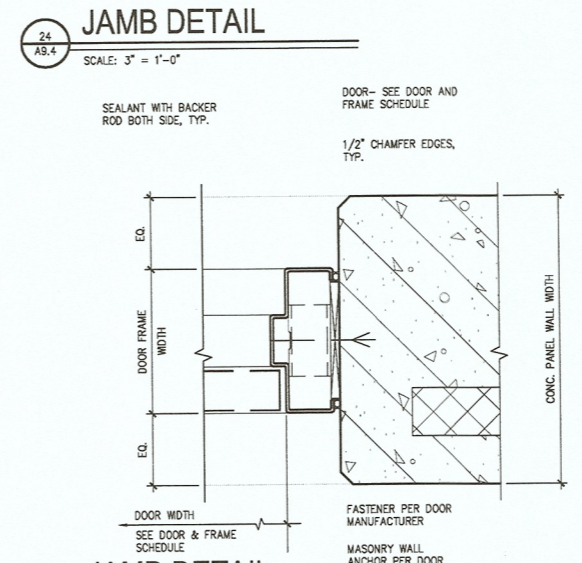
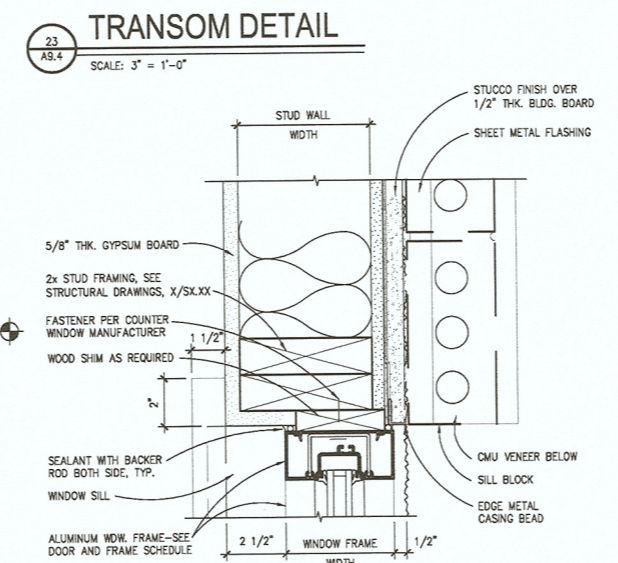
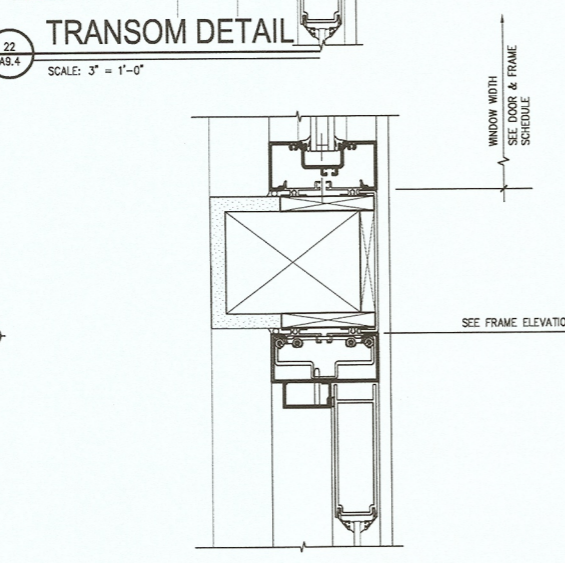
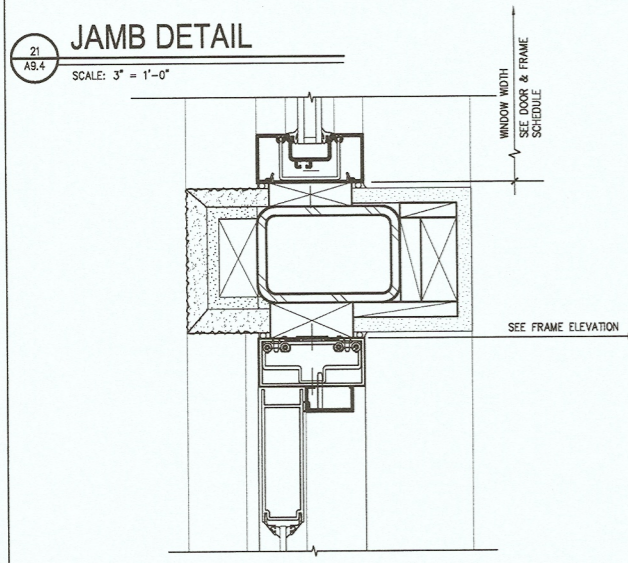
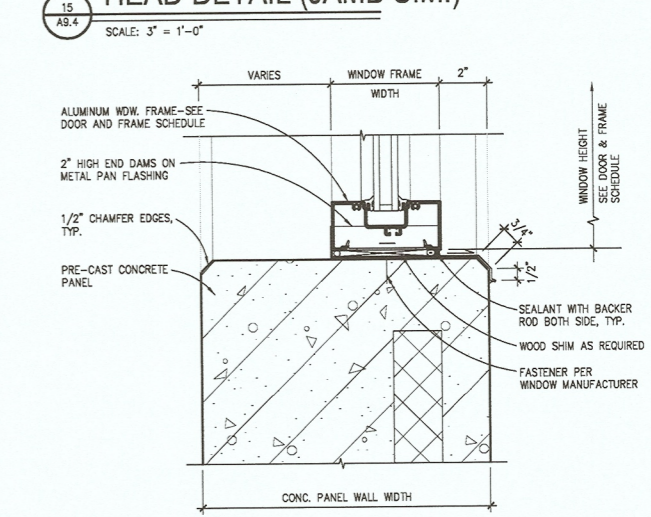
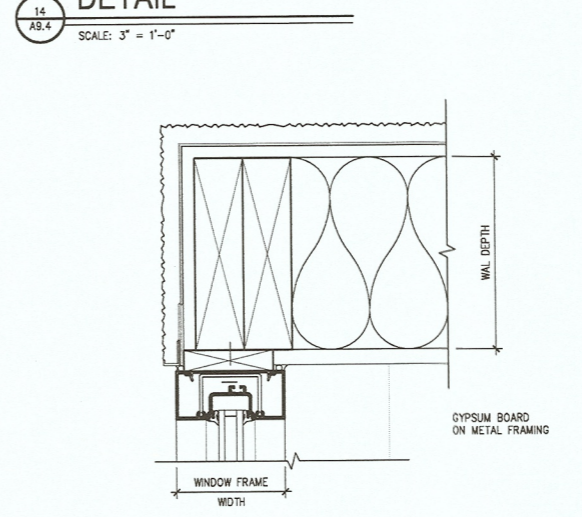
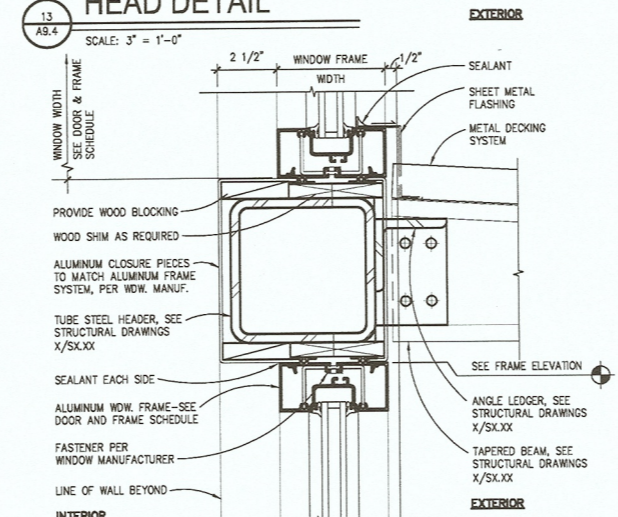
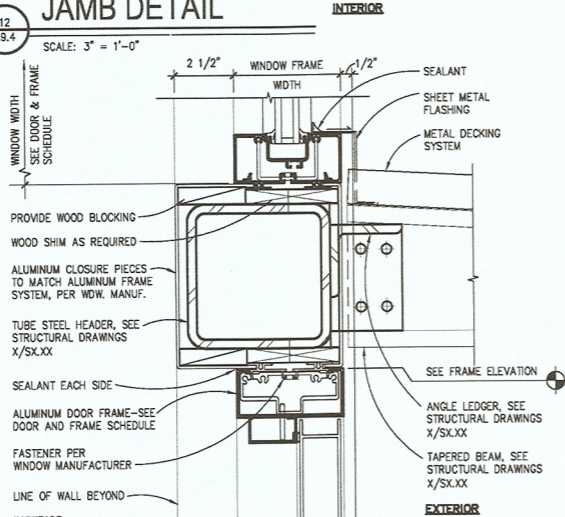
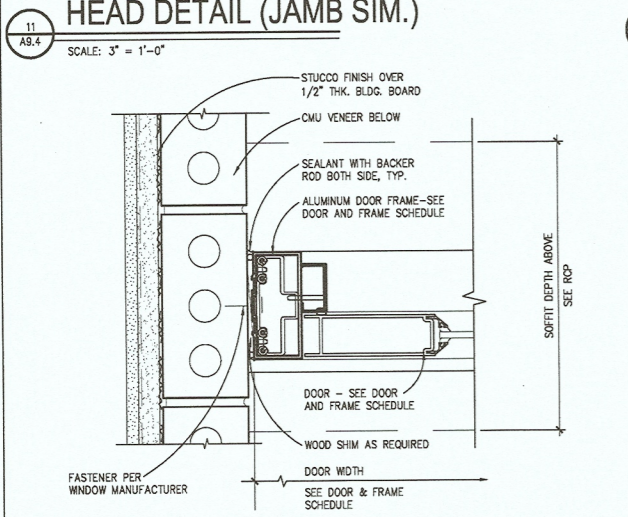
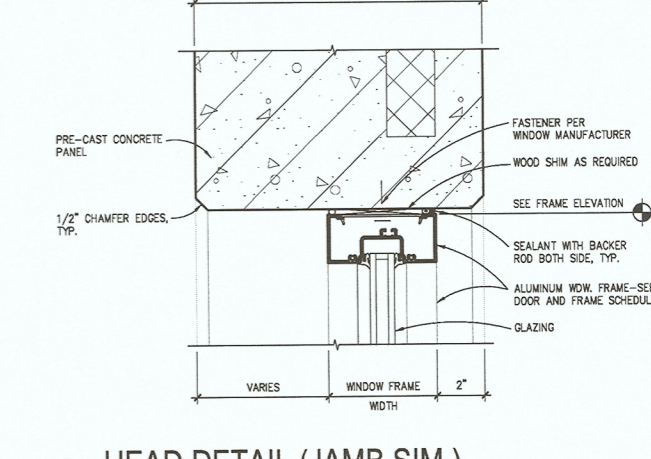
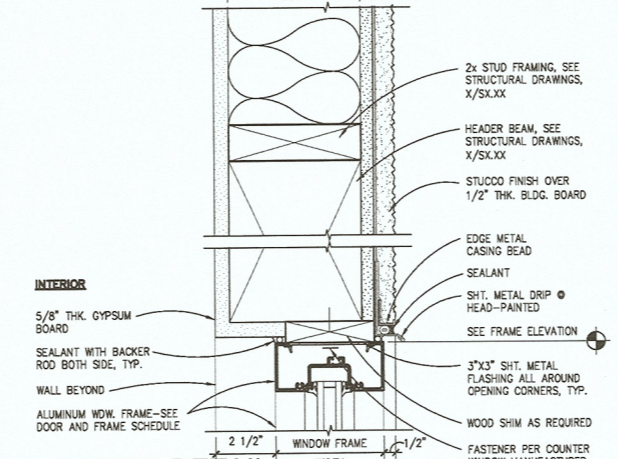
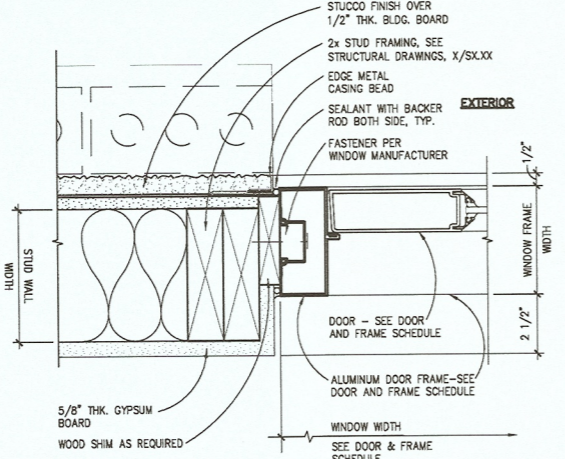
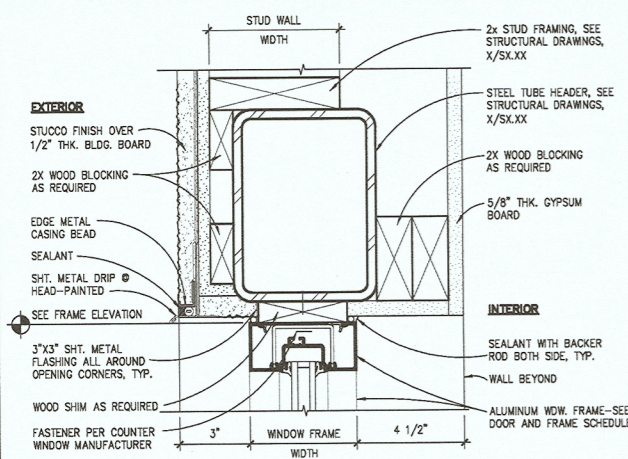
43 DETAIL

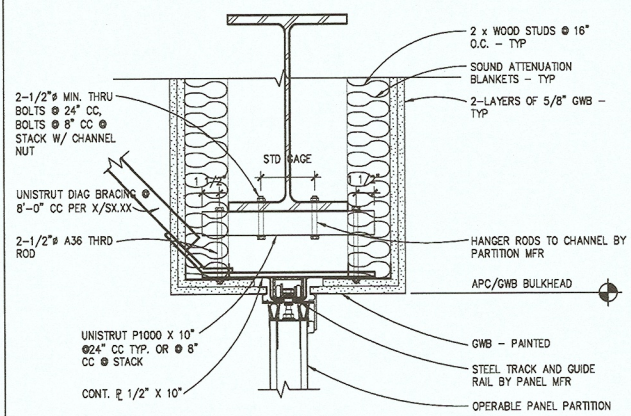
SCALE: 3" = 1'-0"



45 SILL DETAIL

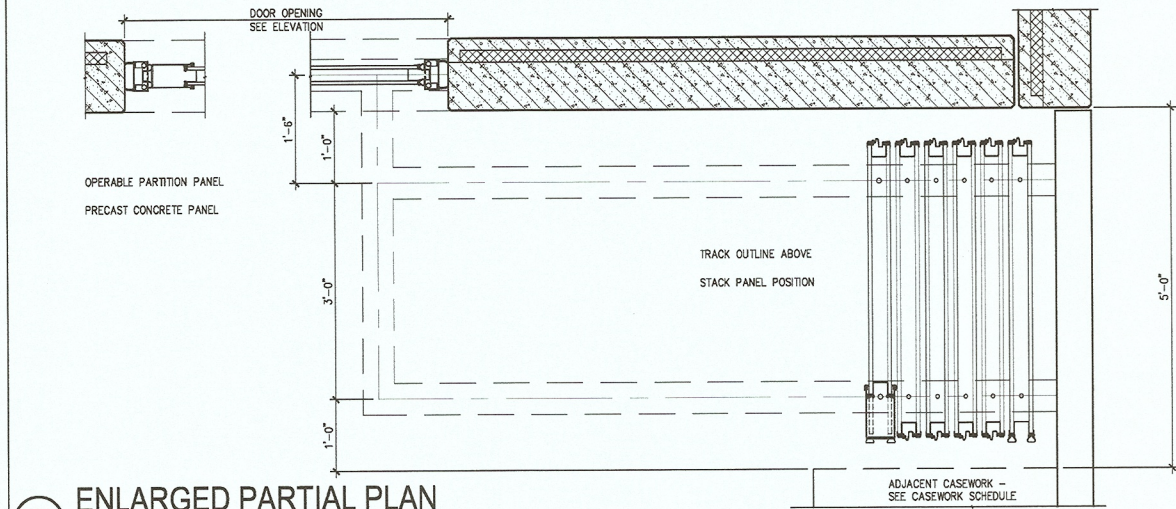
SCALE: 3" = 1'-0"





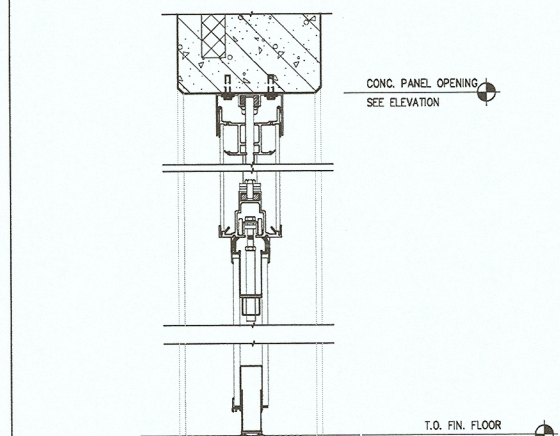
HEAD DETAIL

SCALE: 1 1/2" = 1'-0"



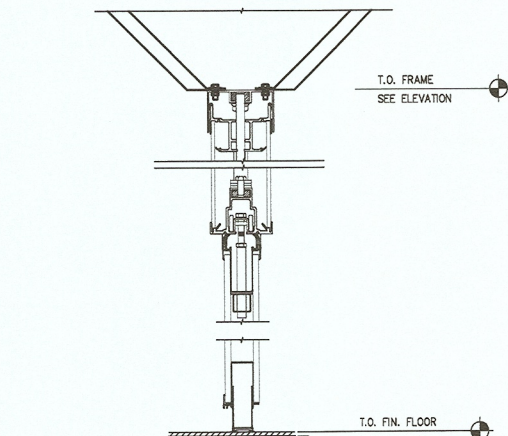
ENLARGED PARTIAL PLAN

SCALE: 3/4" = 1'-0"



HEAD DETAIL

SCALE: 1 1/2" = 1'-0"



HEAD DETAIL

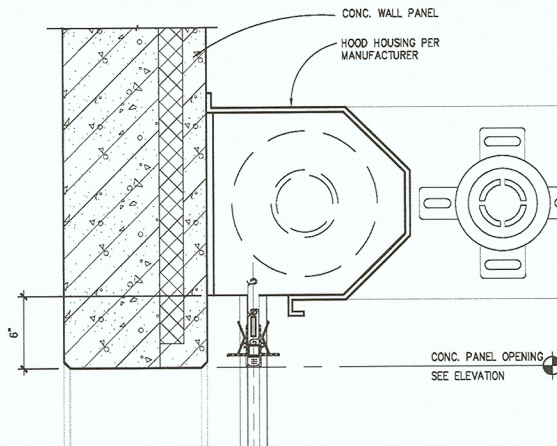
SCALE: 1 1/2" = 1'-0"

DETAIL

SCALE: 1 1/2" = 1'-0"

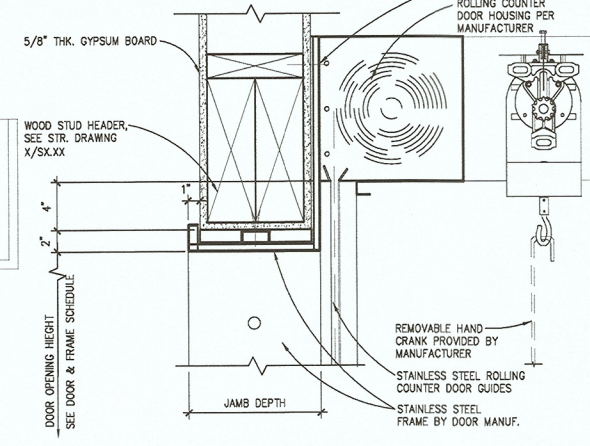
DETAIL

SCALE: 1 1/2" = 1'-0"



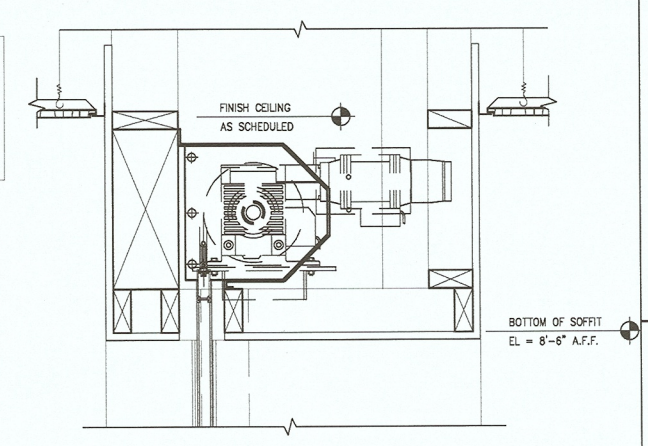
HEAD DETAIL

SCALE: 1 1/2" = 1'-0"



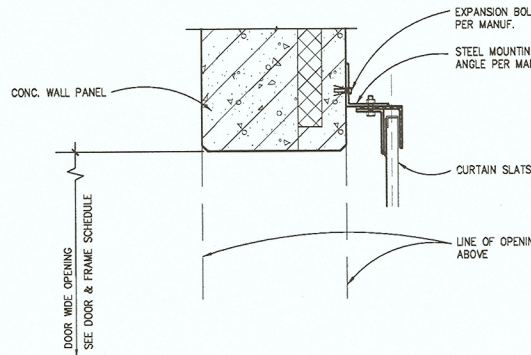
HEAD DETAIL

SCALE: 1 1/2" = 1'-0"



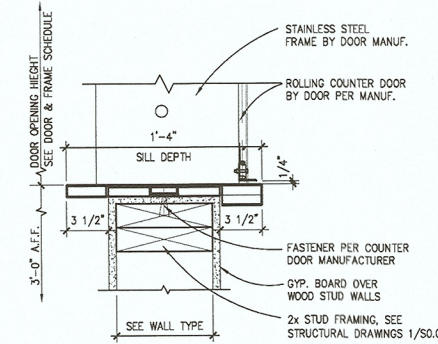
HEAD DETAIL

SCALE: 1 1/2" = 1'-0"



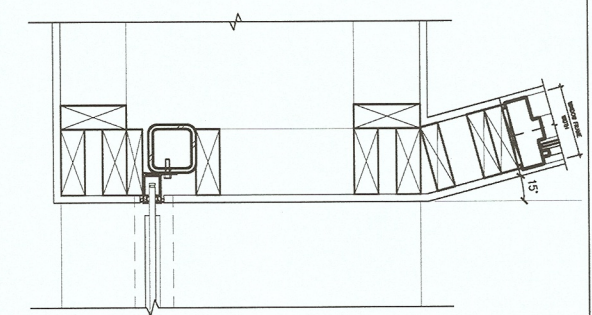
JAMB DETAIL

SCALE: 1 1/2" = 1'-0"



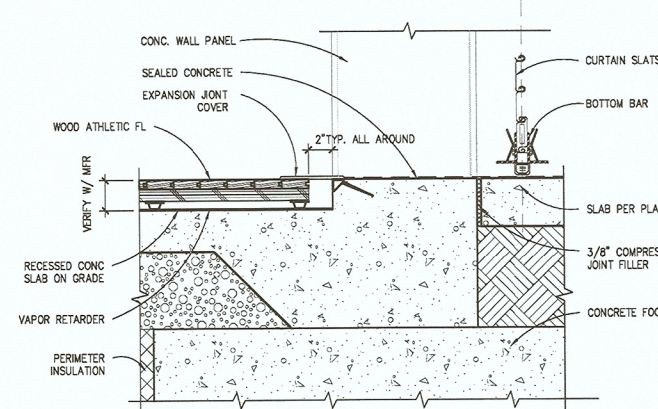
SILL DETAIL

SCALE: 1 1/2" = 1'-0"



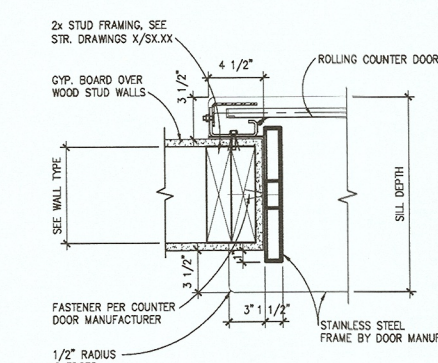
JAMB DETAIL

SCALE: 1 1/2" = 1'-0"



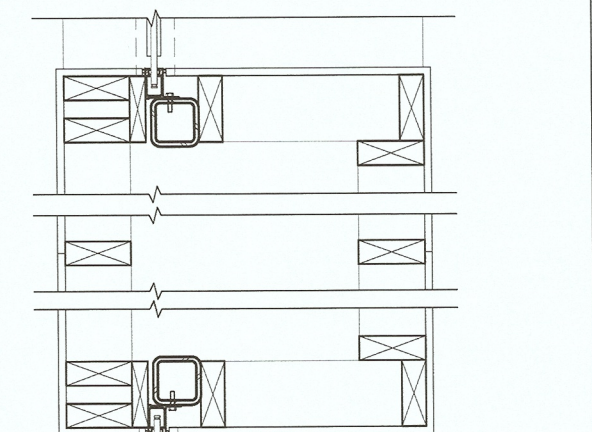
SILL DETAIL

SCALE: 1 1/2" = 1'-0"



JAMB DETAIL

SCALE: 1 1/2" = 1'-0"



JAMB DETAIL

SCALE: 1 1/2" = 1'-0"

DETAIL

SCALE: 1 1/2" = 1'-0"

DETAIL

SCALE: 1 1/2" = 1'-0"

DETAIL

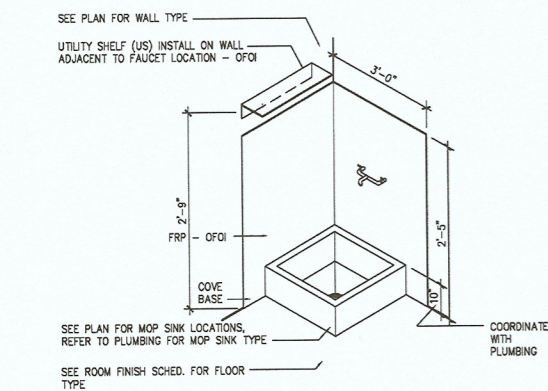
SCALE: 1 1/2" = 1'-0"

DETAIL

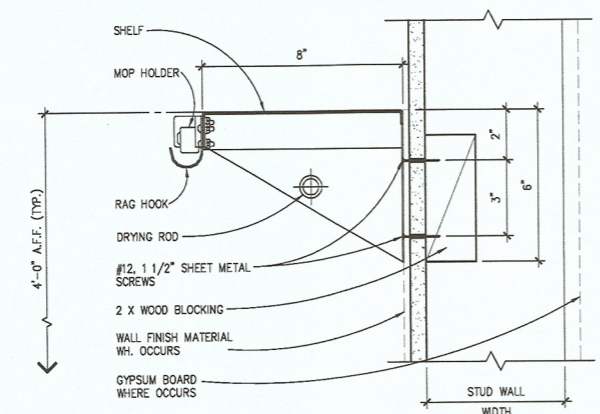
SCALE: 1 1/2" = 1'-0"

JAMB DETAIL

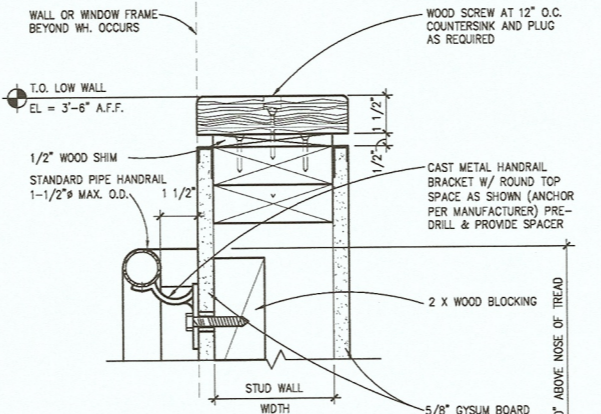
SCALE: 1 1/2" = 1'-0"



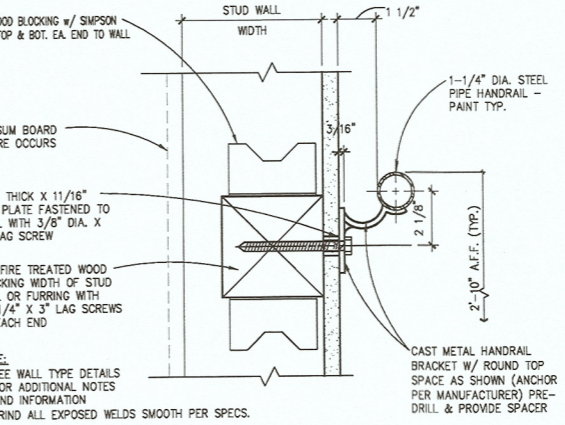
11 MOP SINK DETAIL
SCALE: 3/4" = 1'-0"



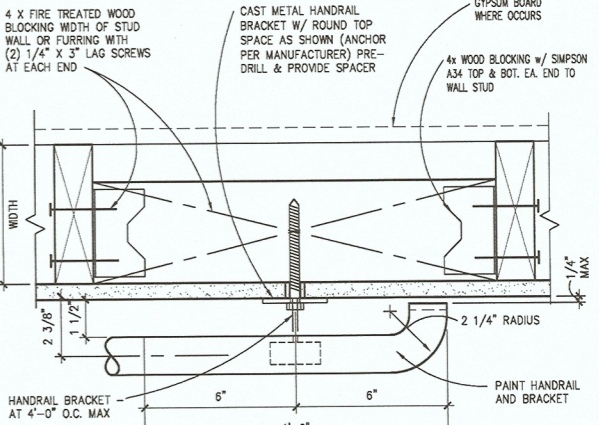
12 UTILITY SHELF W/ MOP/ BROOM HOLDERS AND RAG HOOKS
SCALE: 3" = 1'-0"



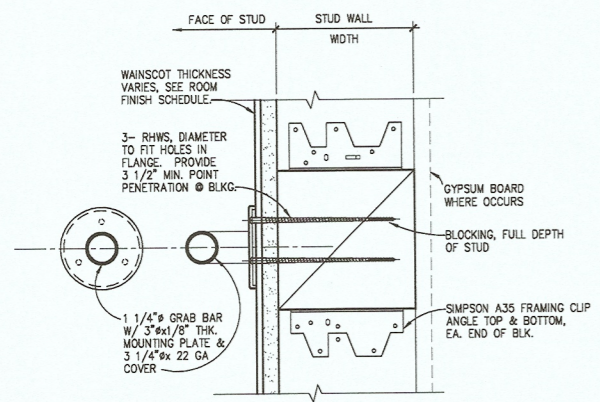
13 WOOD CAP DETAIL @ LOW PARTITION
SCALE: 3" = 1'-0"



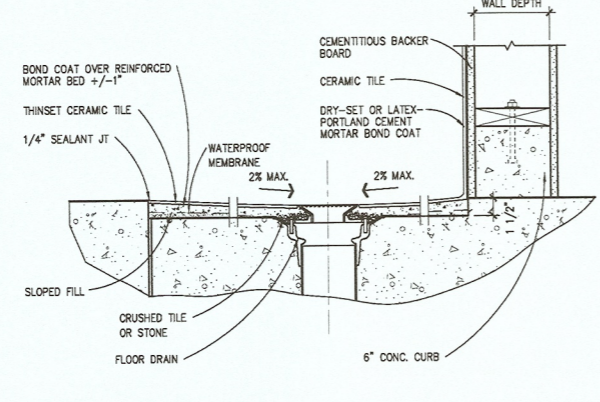
14 HANDRAIL BRACKET
SCALE: 3" = 1'-0"



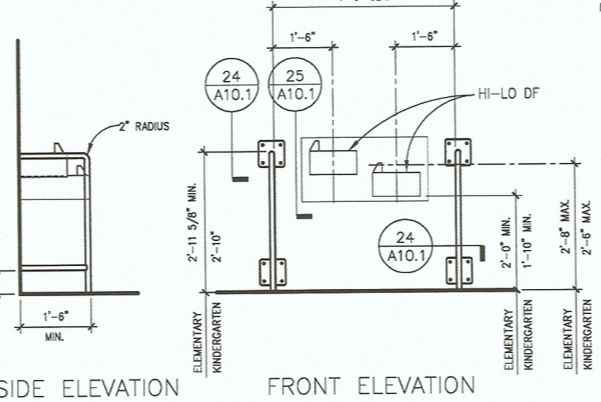
15 HANDRAIL BRACKET
SCALE: 3" = 1'-0"



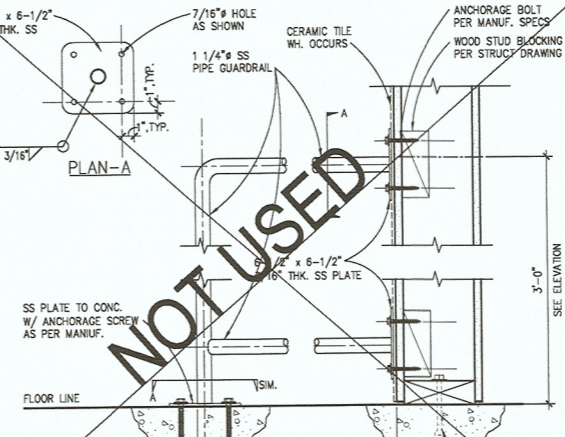
21 GRAB BAR ANCHORAGE
SCALE: 3" = 1'-0"



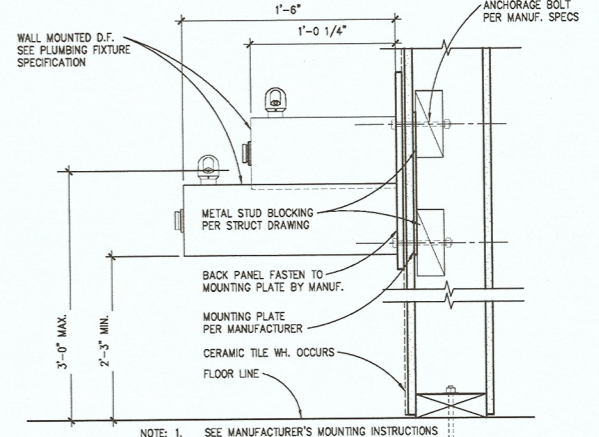
22 DRAIN DETAIL
SCALE: 1 1/2" = 1'-0"



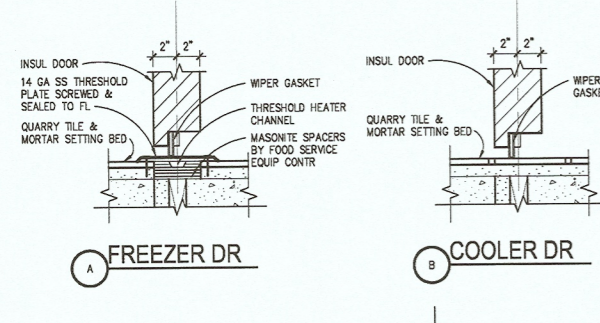
23 PIPE GURD @ ADA D.F.
SCALE: 1/2" = 1'-0"



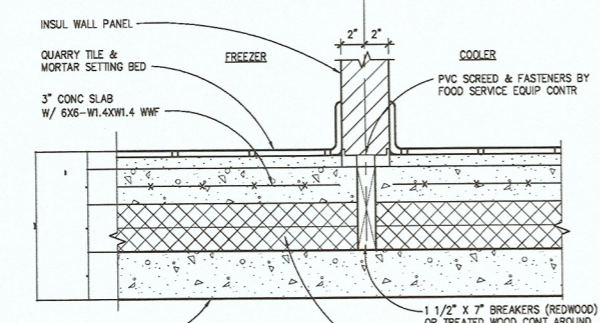
24 D.F. PIPE GUARD MOUNTING DETAIL
SCALE: 1 1/2" = 1'-0"



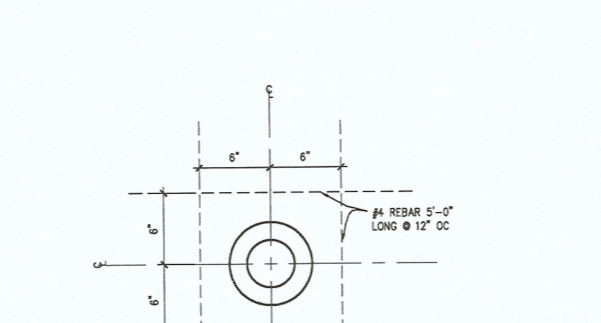
25 D.F. MOUNTING DETAIL
SCALE: 1 1/2" = 1'-0"



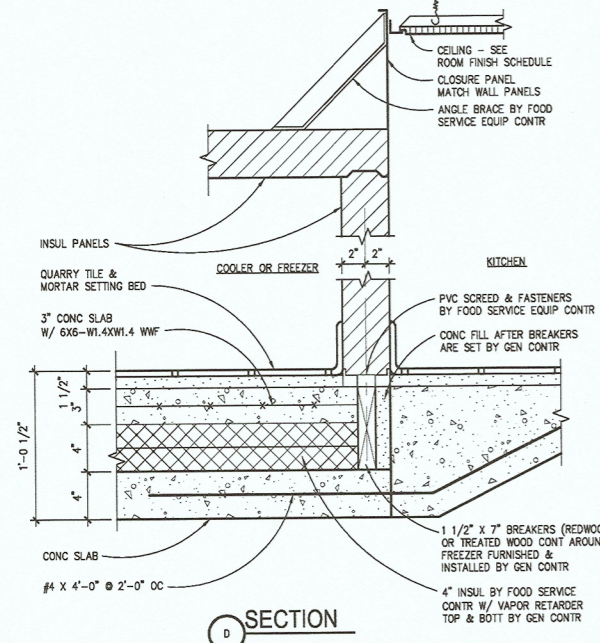
A FREEZER DR
B COOLER DR



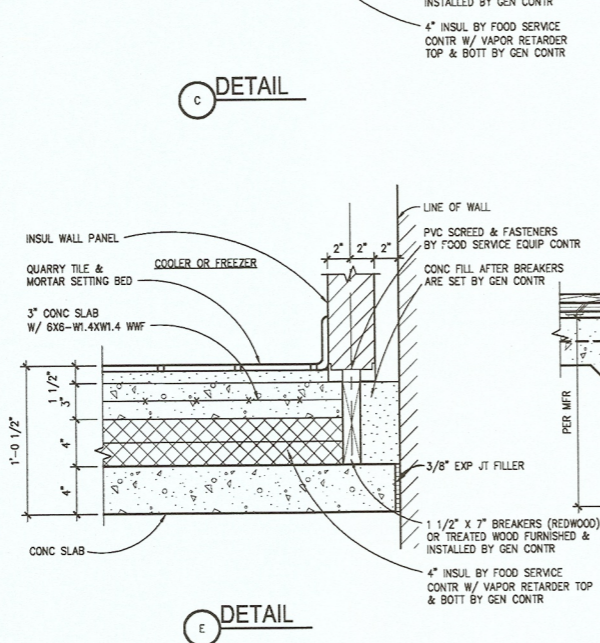
C DETAIL



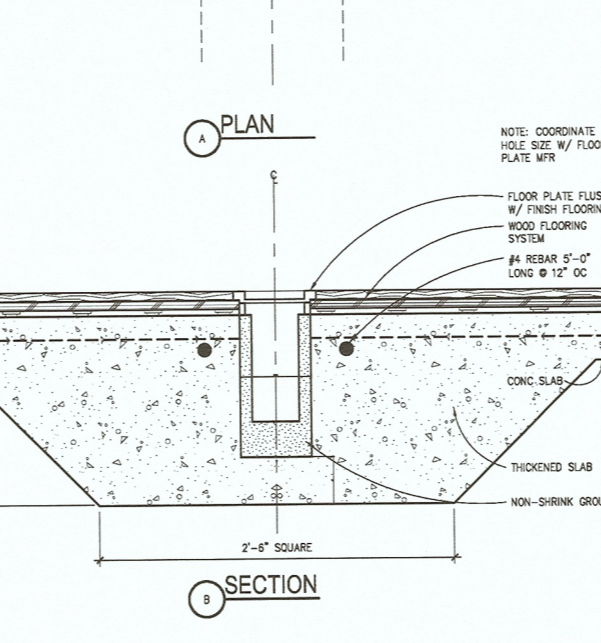
A PLAN



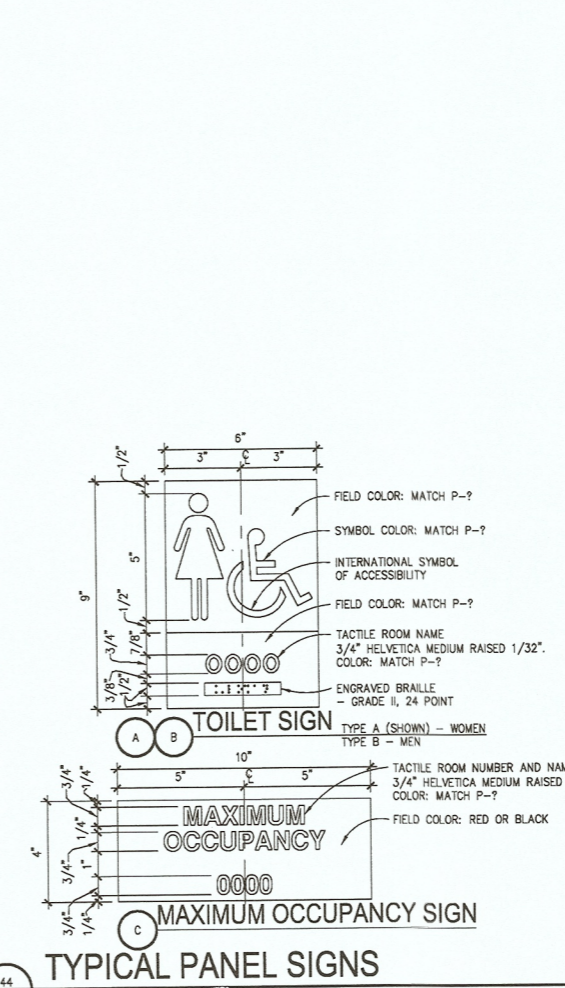
41 WALK-IN COOLER / FREEZER DETAILS
SCALE: 1 1/2" = 1'-0"



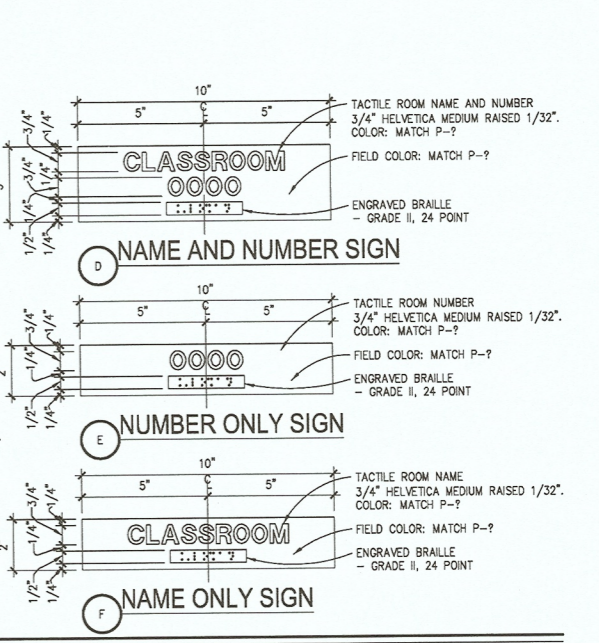
E DETAIL



43 BADMINTON FLOOR SLEEVE
SCALE: 1 1/2" = 1'-0"

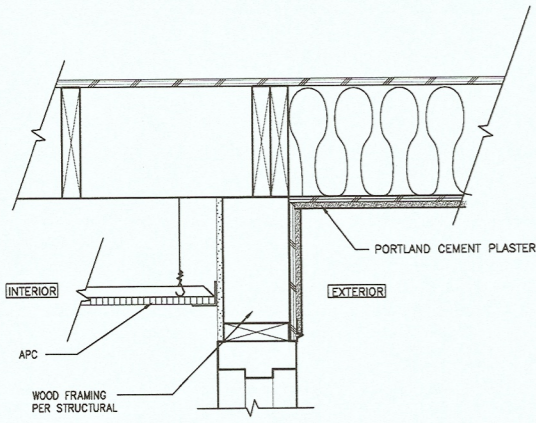


44 TYPICAL PANEL SIGNS
SCALE: 3" = 1'-0"

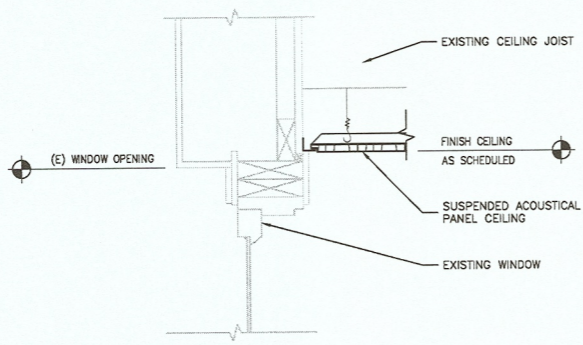


45 TYPICAL PANEL SIGNS
SCALE: 3" = 1'-0"

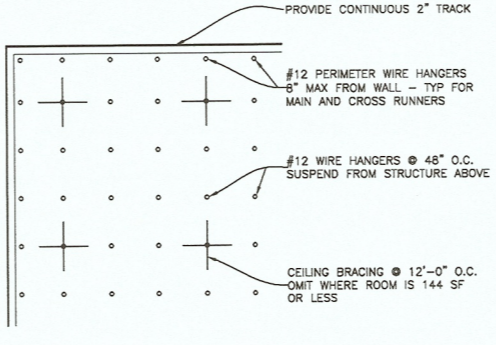
L:\Projects\17-07105-30\DWG\VA\17-07105-30.dwg
Mar 11, 2008 2:03pm
1 rema



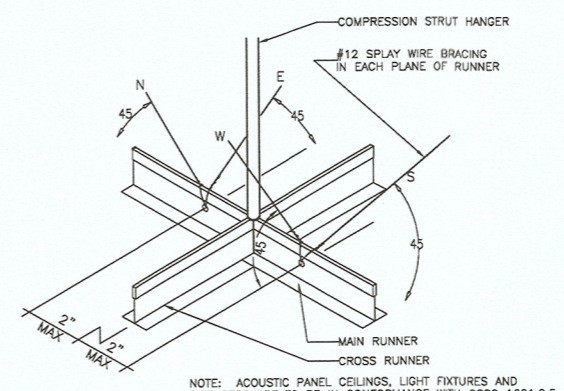
11
A10.2
APC @ ENTRY
SCALE: 1 1/2" = 1'-0"



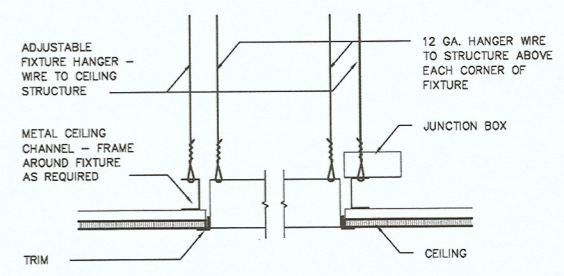
12
A10.2
APC DETAIL AT EXISTING
SCALE: 1 1/2" = 1'-0"



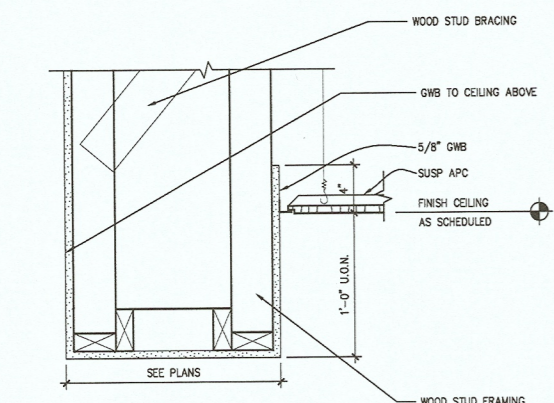
13
A10.2
TYPICAL CEILING LAYOUT
SCALE: 1 1/2" = 1'-0"



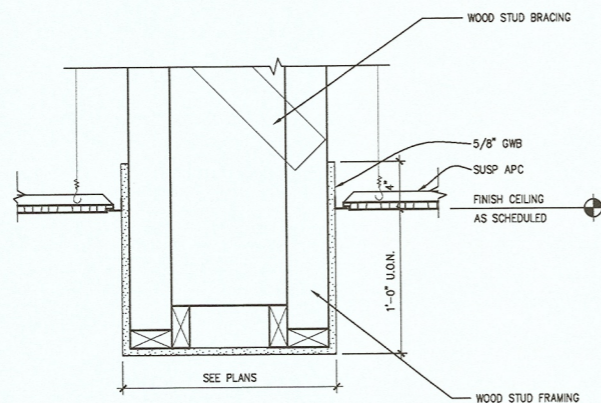
14
A10.2
TYPICAL CEILING BRACING
SCALE: 1 1/2" = 1'-0"



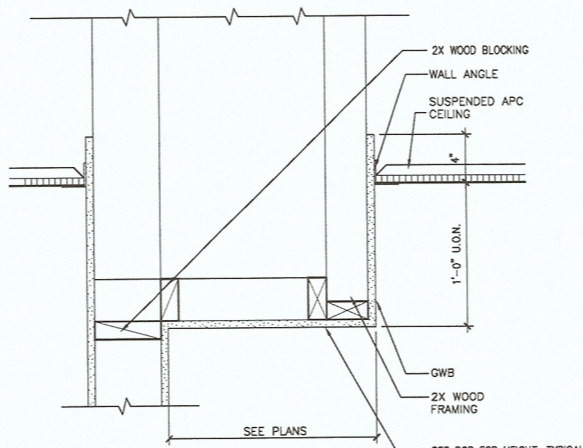
15
A10.2
FLUSH FIXTURE MOUNTING
SCALE: 1 1/2" = 1'-0"



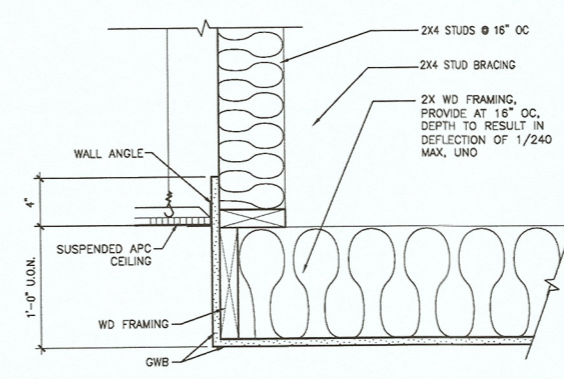
21
A10.2
GWB BULKHEAD
SCALE: 1 1/2" = 1'-0"



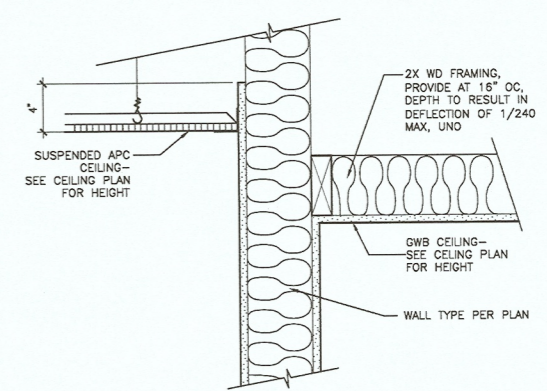
22
A10.2
GWB BULKHEAD
SCALE: 1 1/2" = 1'-0"



23
A10.2
SOFFIT AT DOORWAY
SCALE: 1 1/2" = 1'-0"



24
A10.2
TYP. GWB SOFFIT TRANSITION
SCALE: 1 1/2" = 1'-0"



25
A10.2
TYP. GWB CLG./ APC CLG.
SCALE: 1 1/2" = 1'-0"

31
A10.2
DETAIL
SCALE: 1 1/2" = 1'-0"

32
A10.2
DETAIL
SCALE: 1 1/2" = 1'-0"

33
A10.2
ACCESS PANEL
SCALE: 1 1/2" = 1'-0"

34
A10.2
GWB BULKHEAD
SCALE: 1 1/2" = 1'-0"

35
A10.2
CORRIDOR CEILING TRANSITION
SCALE: 1 1/2" = 1'-0"

41
A10.2
DETAILS
SCALE: 1 1/2" = 1'-0"

42
A10.2
SOFFIT AT STAIR B1S1
SCALE: 1 1/2" = 1'-0"

44
A10.2
DETAILS
SCALE: 1 1/2" = 1'-0"

45
A10.2
DETAILS
SCALE: 1 1/2" = 1'-0"

L:\Projects\174-07105-30\174-07105-30.dwg
Mar 11, 2008 2:01pm

PRELIMINARY
PRINT
03-14-08
NOT FOR CONSTRUCTION

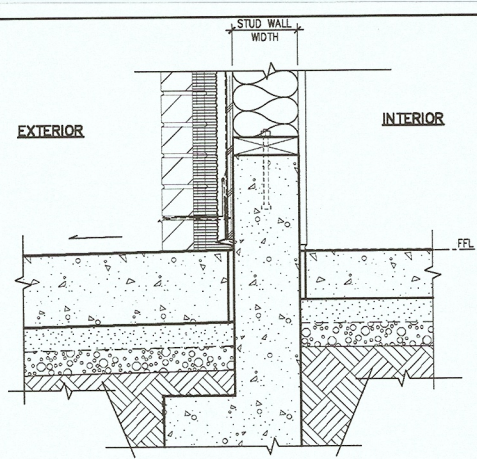
QA DRAWING SET

BUILDING DETAILS
BELLVIEW ELEMENTARY

A10.2
74-07105-30
03-10-08

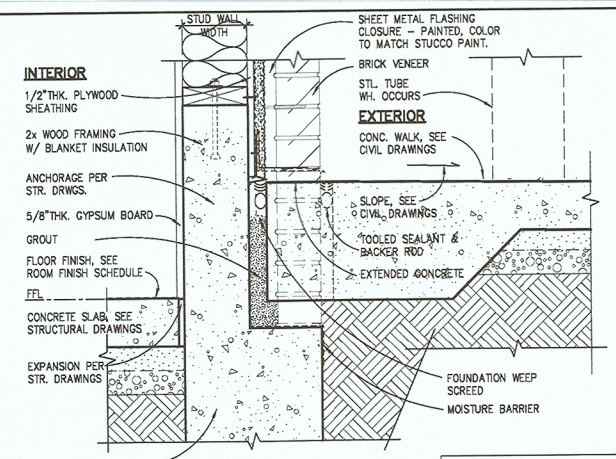
DLR Group
Architecture Planning Interiors

©2007, DLR Group Architecture & Planning Inc., an Oregon corporation. ALL RIGHTS RESERVED.



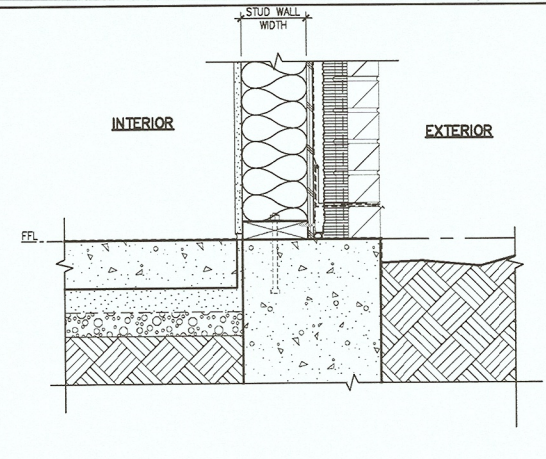
11
A10.3
EXTERIOR CURB DETAIL

SCALE: 1 1/2"=1'-0"



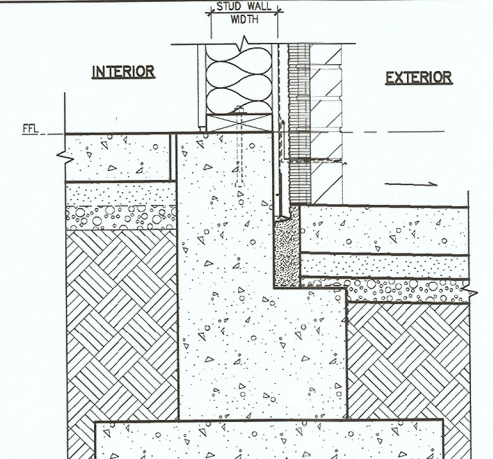
12
A10.3
EXTERIOR CURB DETAIL

SCALE: 1 1/2"=1'-0"



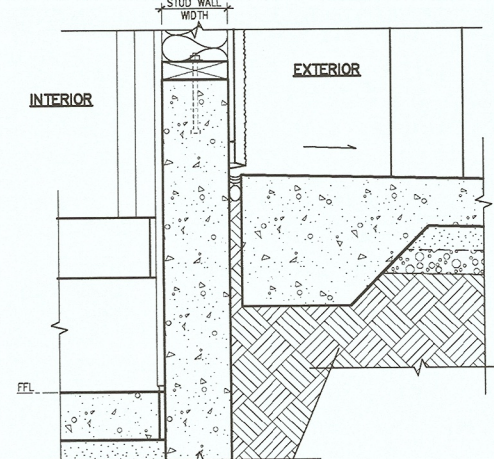
13
A10.3
EXTERIOR CURB DETAIL

SCALE: 1 1/2"=1'-0"



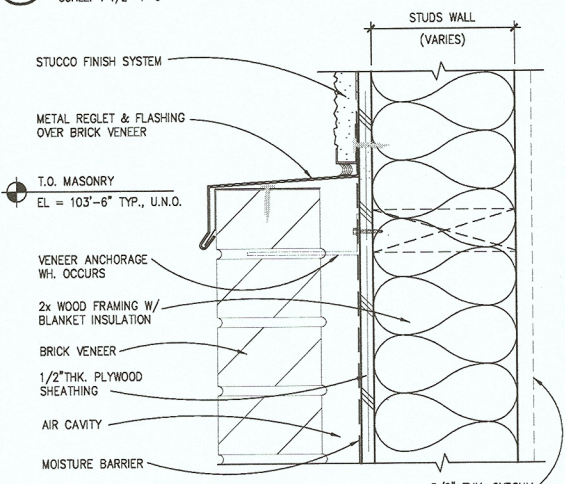
14
A10.3
EXTERIOR CURB DETAIL

SCALE: 1 1/2"=1'-0"



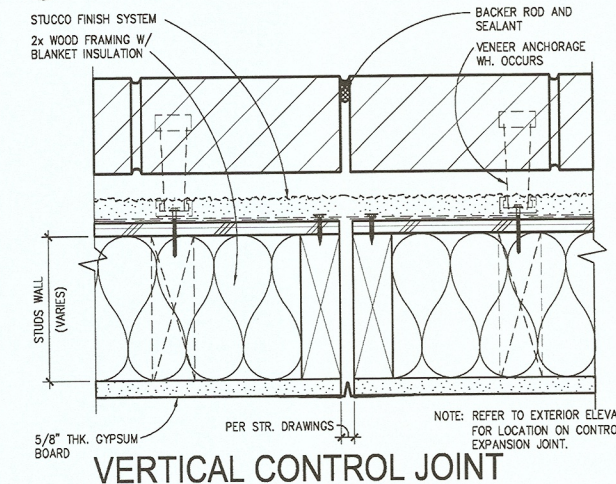
15
A10.3
EXTERIOR CURB DETAIL

SCALE: 1 1/2"=1'-0"



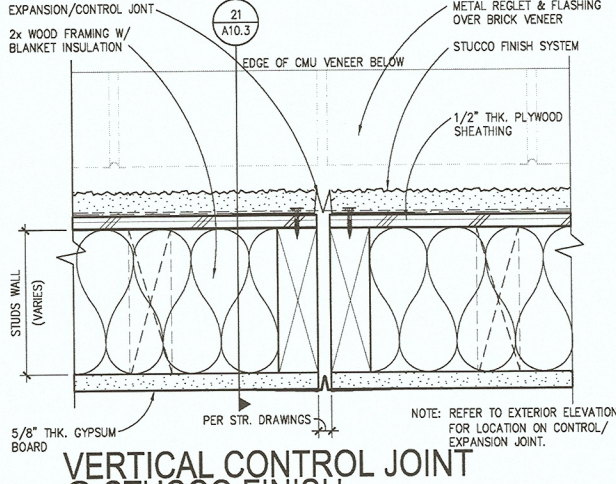
21
A10.3
SILL BLOCK DETAIL

SCALE: 3"=1'-0"



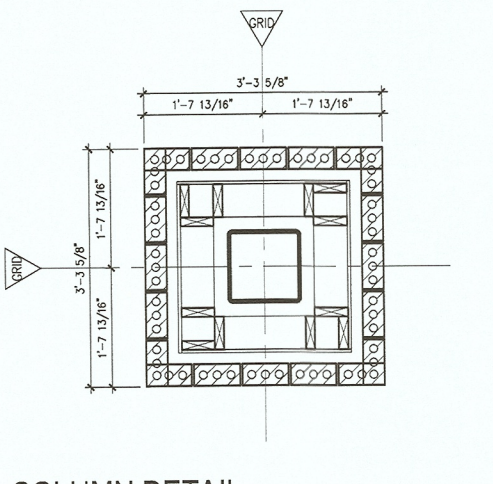
22
A10.3
VERTICAL CONTROL JOINT @ BRICK VENEER

SCALE: 3"=1'-0"



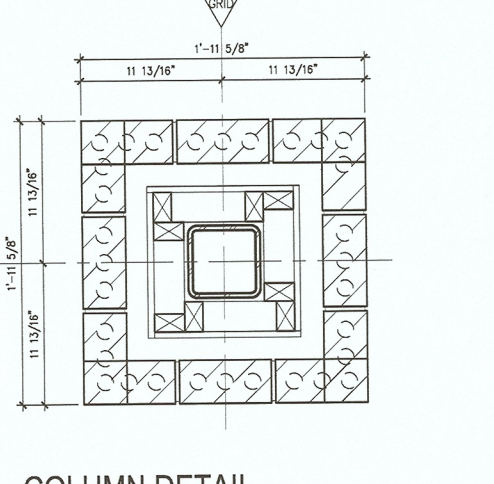
23
A10.3
VERTICAL CONTROL JOINT @ STUCCO FINISH

SCALE: 3"=1'-0"



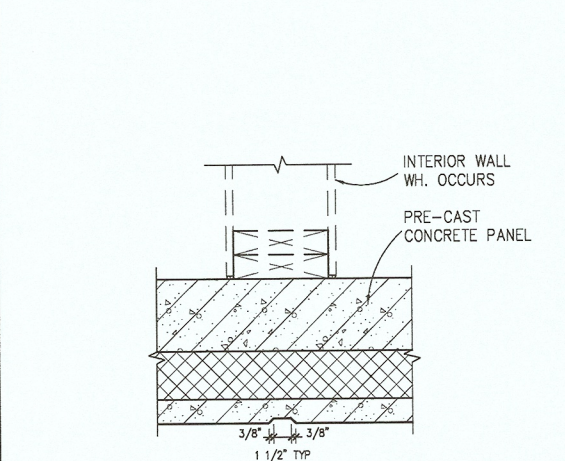
24
A10.3
COLUMN DETAIL

SCALE: 3/4"=1'-0"



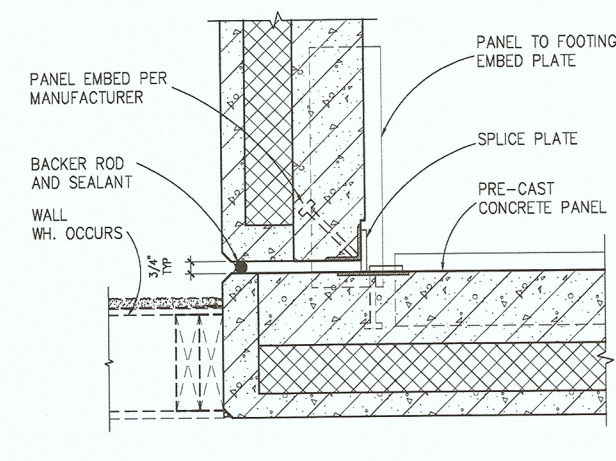
25
A10.3
COLUMN DETAIL

SCALE: 1 1/2"=1'-0"



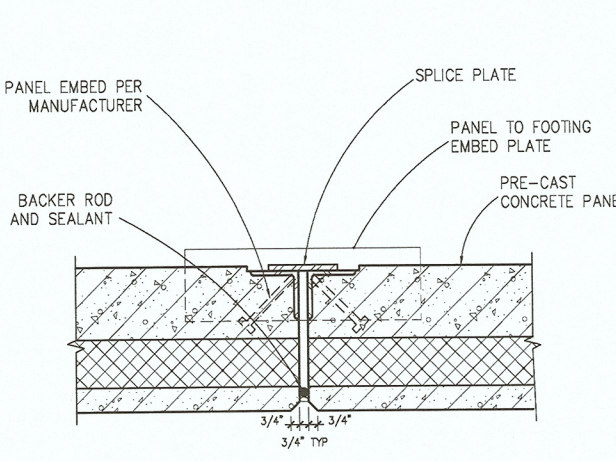
31
A10.3
PRECAST RELIEF DETAIL

SCALE: 1 1/2"=1'-0"



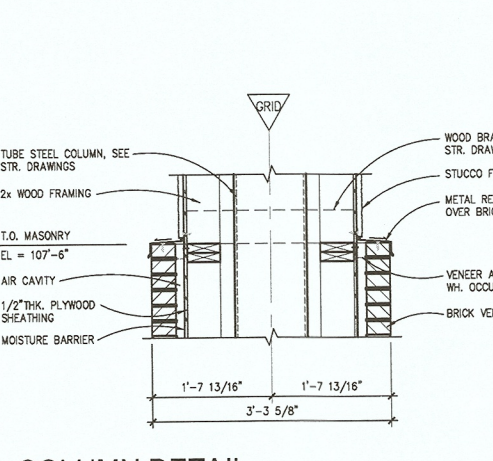
32
A10.3
PRECAST CORNER DETAIL

SCALE: 1 1/2"=1'-0"



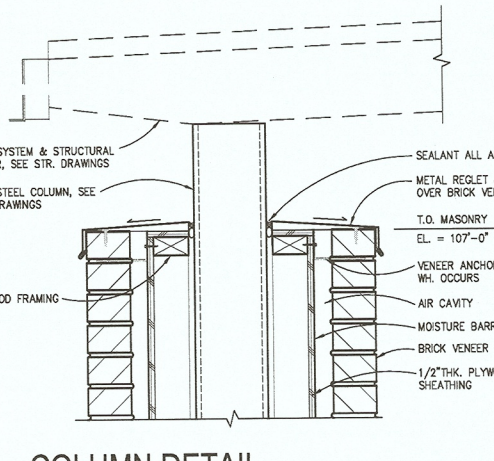
33
A10.3
PRECAST JOINT DETAIL

SCALE: 1 1/2"=1'-0"



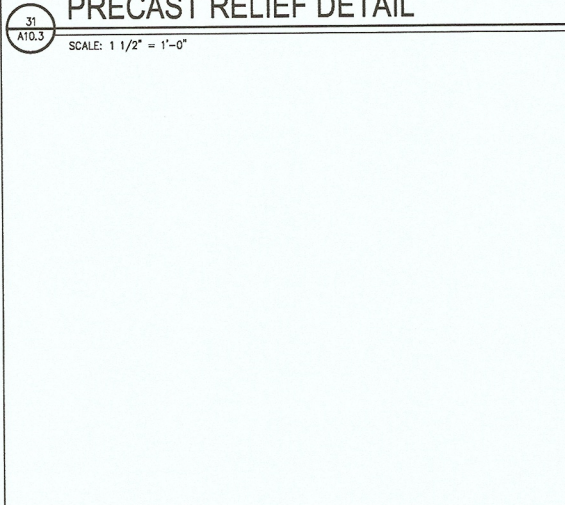
34
A10.3
COLUMN DETAIL

SCALE: 3/4"=1'-0"



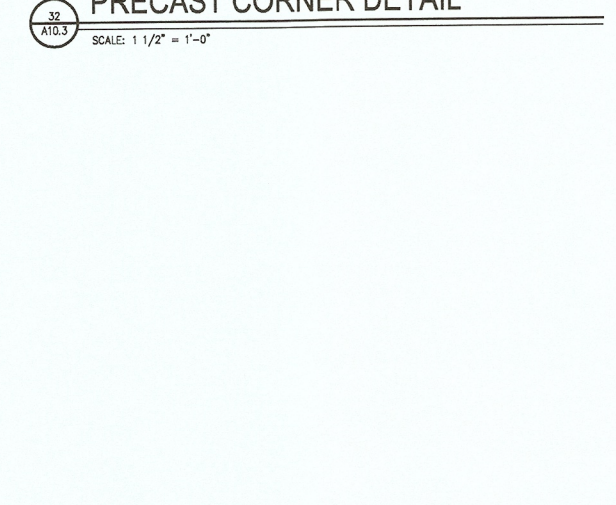
35
A10.3
COLUMN DETAIL

SCALE: 1 1/2"=1'-0"



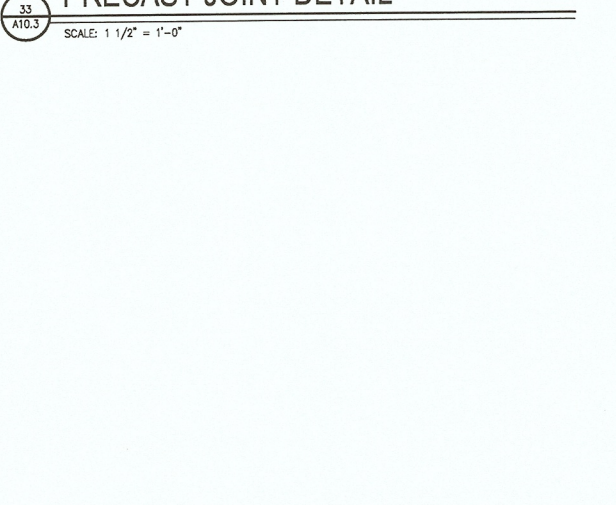
41
A10.3
DETAIL

SCALE: 3"=1'-0"



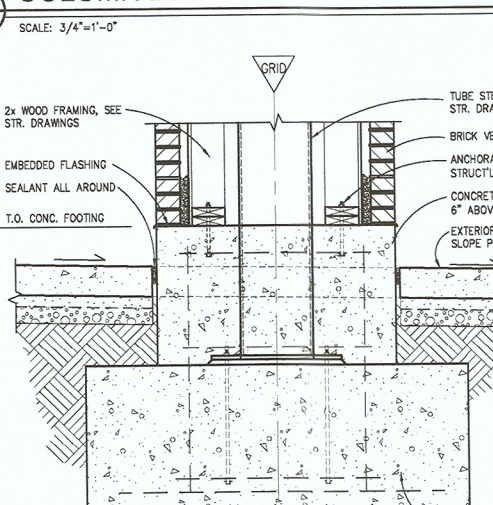
42
A10.3
DETAIL

SCALE: 3"=1'-0"



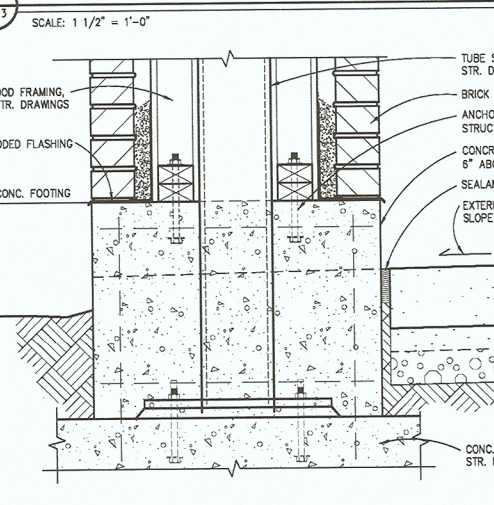
43
A10.3
DETAIL

SCALE: 3"=1'-0"



44
A10.3
COLUMN BASE DETAIL

SCALE: 3/4"=1'-0"



45
A10.3
COLUMN BASE DETAIL

SCALE: 1 1/2"=1'-0"

CASEWORK / MILLWORK GENERAL NOTES
(APPLIES TO ALL CASEWORK / MILLWORK SHEETS)

- CASEWORK NOTES APPLY TO ALL CASEWORK SHEETS.
- MILLWORK NOTES APPLY TO ALL MILLWORK SHEETS.
- ELEVATIONS DENOTED AS MILLWORK ARE SPECIFIED UNDER DIVISION 6 SECTION "INTERIOR ARCHITECTURAL WOODWORK," ALL OTHERS SHALL BE SPECIFIED UNDER DIVISION 12 SECTION "EDUCATIONAL CASEWORK", UNLESS NOTED OTHERWISE.
- ALL BASE CABINETS TO BE 2'-0" DEEP UNITS, UNLESS NOTED OTHERWISE.
- ALL WALL CABINETS TO BE 1'-2" DEEP UNITS, UNLESS NOTED OTHERWISE.
- ALL TALL STORAGE UNITS TO BE 2'-0" DEEP UNITS, UNLESS NOTED OTHERWISE.
- ALL SHELVING IN CASEWORK TO BE ADJUSTABLE SHELVING, UNLESS NOTED OTHERWISE.
- CATALOG NUMBERS SHOWN ON ELEVATIONS FOR PREMANUFACTURED CASEWORK ARE LSI SERIES L44, UNLESS NOTED OTHERWISE.
- CATALOG NUMBERS SHOWN ON ELEVATIONS FOR LIBRARY SHELVING REFERENCE SMITH SYSTEMS LIBRARY SHELVING SERIES, UNLESS NOTED OTHERWISE.
- ALL EXPOSED SURFACES IN OPEN SHELVING SHALL BE PLASTIC LAMINATE COVERED.
- PROVIDE FINISHED ENDS AT ALL EXPOSED ENDS OF CASEWORK AND MILLWORK.
- PROVIDE 135 DEGREE HINGES AT SINK BASE CABINET LOCATIONS AS NEEDED FOR ADA.
- WHERE ELEC DEVICES ARE LOCATED IN CASEWORK, CASEWORK SUBCONTRACTOR SHALL PROVIDE OPENINGS. COORDINATE LOCATION AND QUANTITY WITH THE ELECTRICAL CONTRACTOR.
- ALL COUNTERTOPS TO HAVE 4" BACKSLASH UNLESS NOTED OTHERWISE.
- TRANSLUCENT RESIN PANELS (TRP) TO BE INSTALLED WITH TEXT READING FROM LEFT TO RIGHT.

PRELIMINARY
PRINT

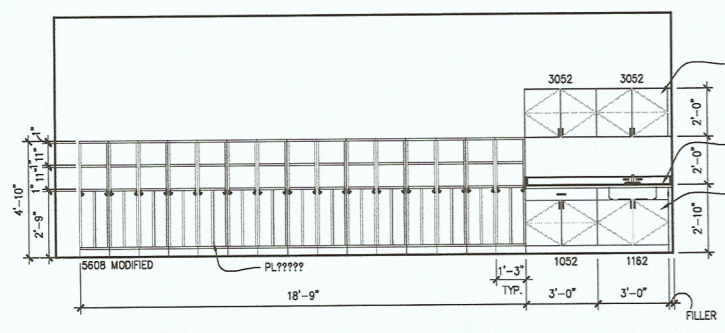
QA DRAWING SET

CASEWORK ELEVATIONS
BELLVIEW ELEMENTARY

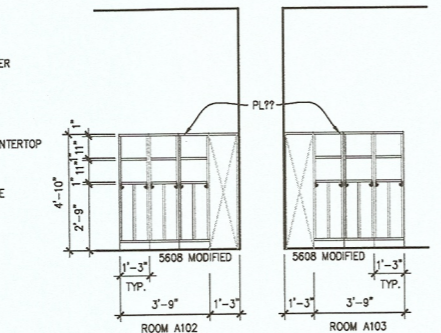
A11.1
74-07105-30
03-10-08

DLR Group
Architecture Planning Interiors

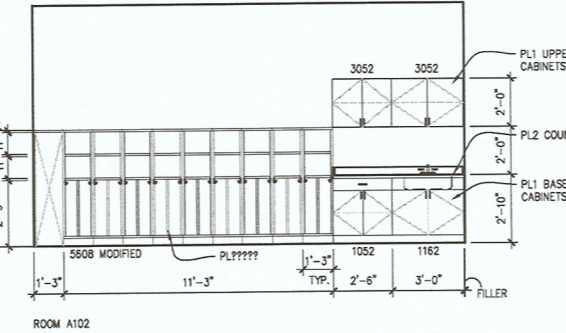
©2007 DLR Group Architecture & Planning Inc., an Oregon corporation. ALL RIGHTS RESERVED.



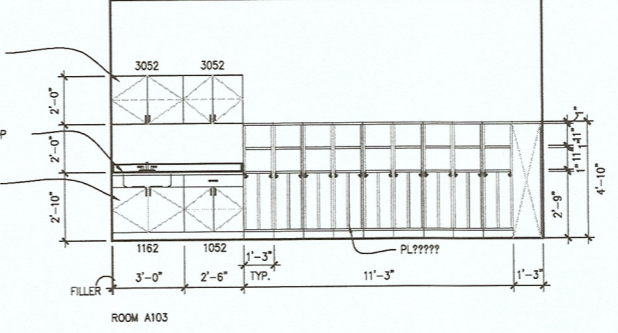
11 CLASSROOM WALL ELEVATION (TYP.)
SCALE: 1/4"=1'-0"



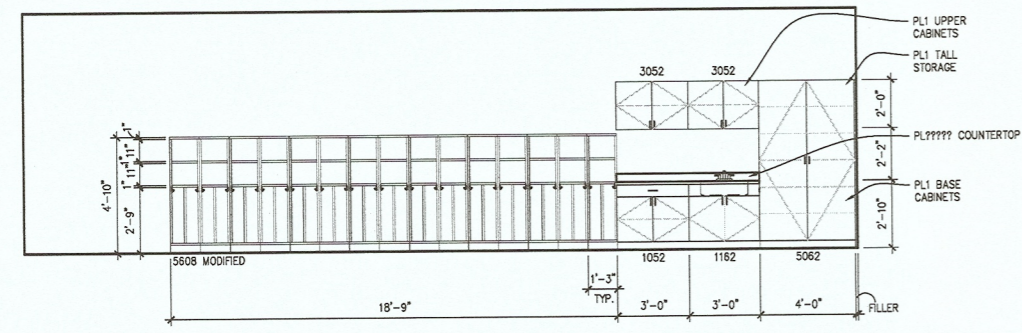
12 CUBBIE CASEWORK ELEV.
SCALE: 1/4"=1'-0"



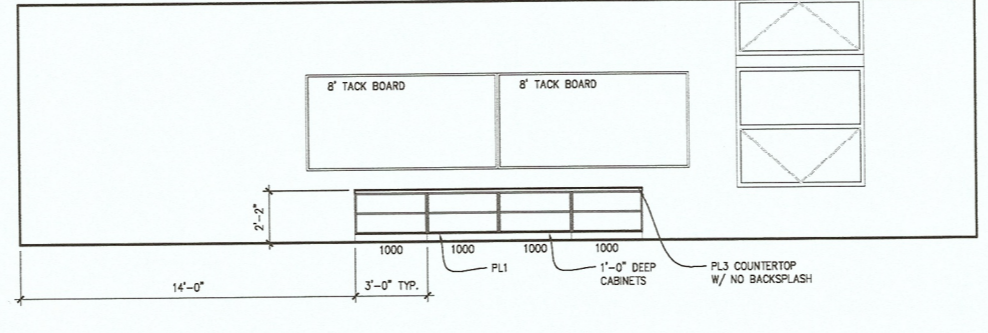
13 KINDERGARTEN CASEWORK ELEV.
SCALE: 1/4"=1'-0"



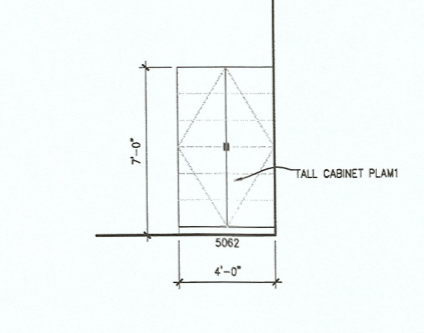
14 KINDERGARTEN CASEWORK ELEV.
SCALE: 1/4"=1'-0"



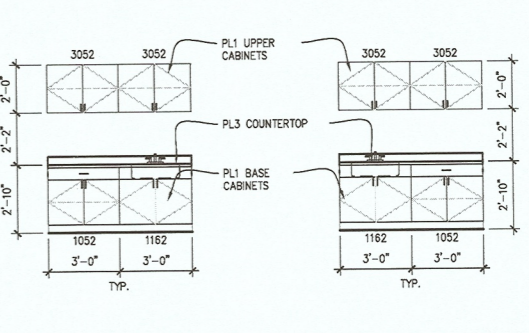
21 CLASSROOM WALL ELEVATION (TYP.)
SCALE: 1/4"=1'-0"



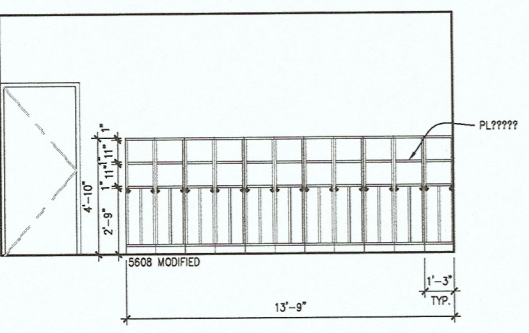
23 CLASSROOM WALL ELEVATION
SCALE: 1/4"=1'-0"



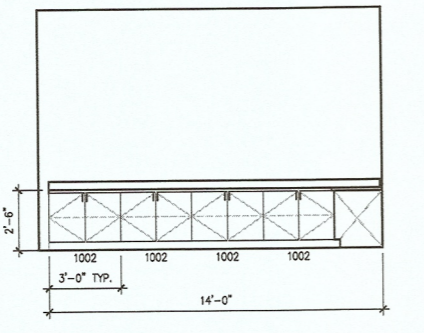
25 TEACHER CABINET (TYP.)
SCALE: 1/4"=1'-0"



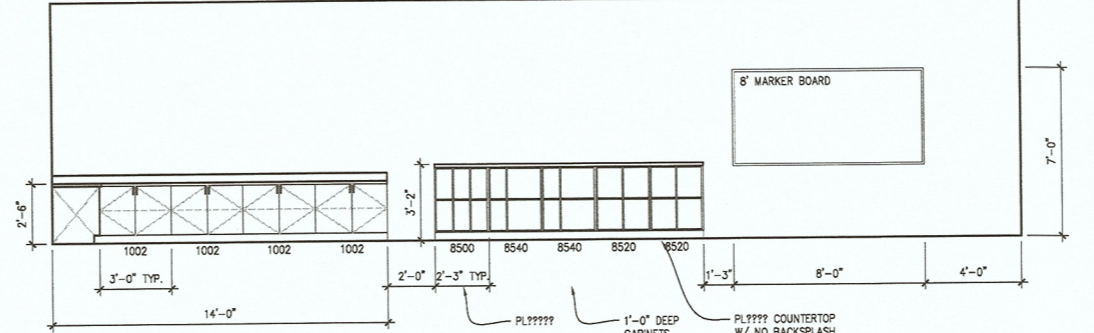
32 SBC/ERC SINK CASEWORK
SCALE: 1/4"=1'-0"



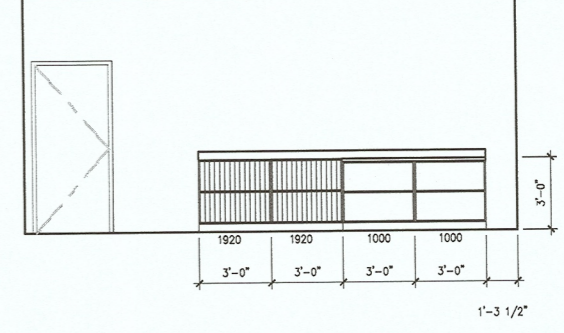
31 SBC WALL ELEVATION
SCALE: 1/4"=1'-0"



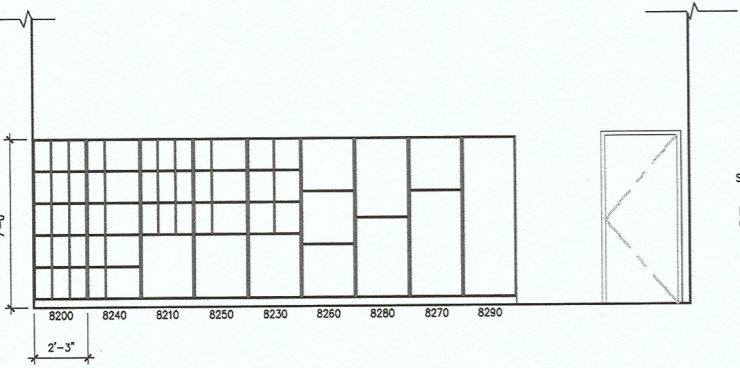
33 MUSIC ROOM CASEWORK
SCALE: 1/4"=1'-0"



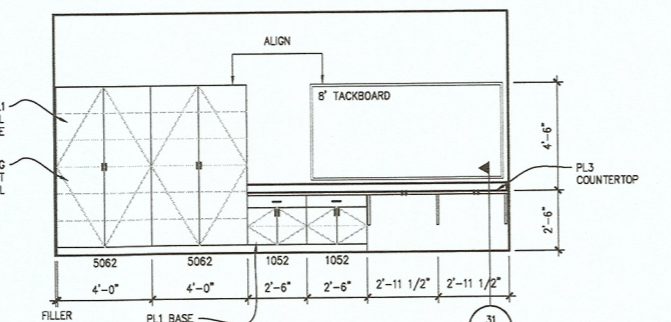
34 MUSIC ROOM ELEVATIONS
SCALE: 1/4"=1'-0"



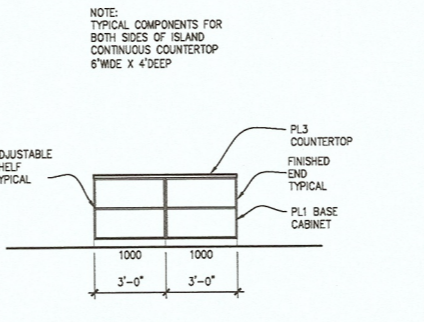
41 MUSIC ROOM ELEVATION
SCALE: 1/4"=1'-0"



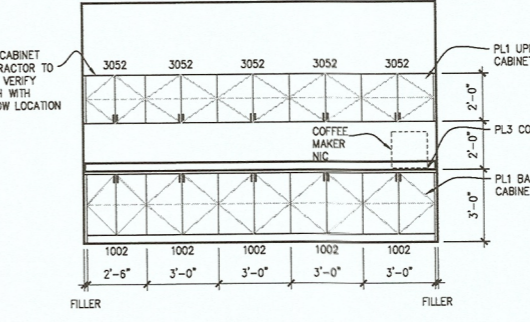
41 INSTRUMENT STORAGE CASEWORK
SCALE: 1/4"=1'-0"



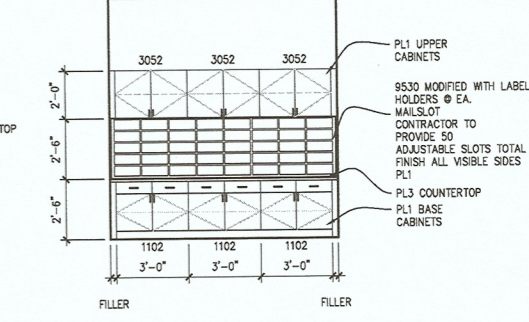
42 MAIL ROOM CASEWORK
SCALE: 1/4"=1'-0"



43 MAIL ROOM CASEWORK
SCALE: 1/4"=1'-0"

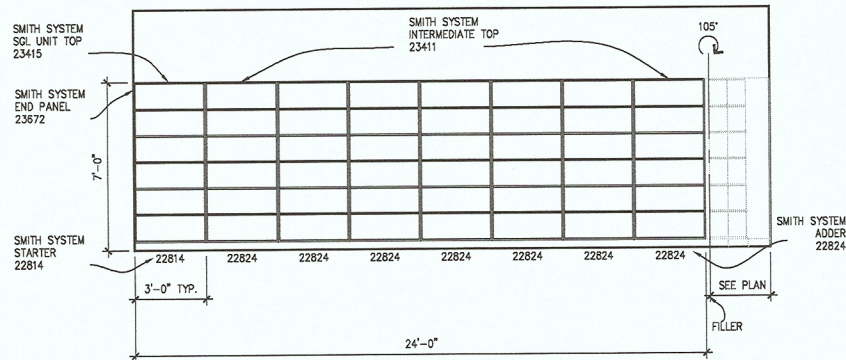


44 MAIL ROOM CASEWORK
SCALE: 1/4"=1'-0"



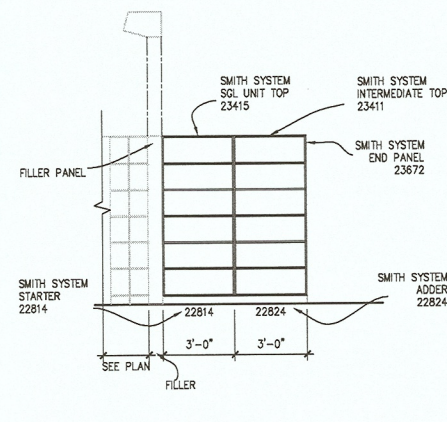
45 CORR. A114 CASEWORK
SCALE: 1/4"=1'-0"

L:\Projects\74-07105-30\Drawings\A11.1.dwg
Mar 11, 2008 2:08pm



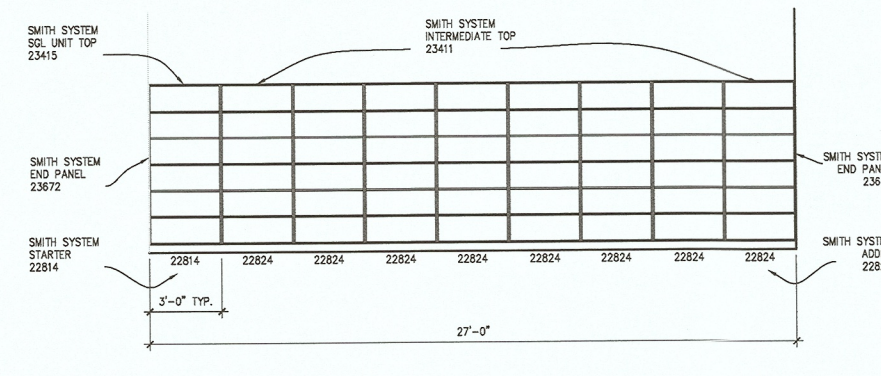
LIBRARY SHELVING NORTH ELEV.

SCALE: 1/4" = 1'-0"



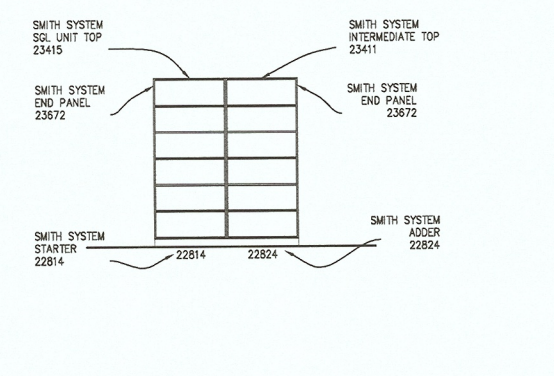
LIBRARY SHELVING NORTHEAST ELEV.

SCALE: 1/4" = 1'-0"



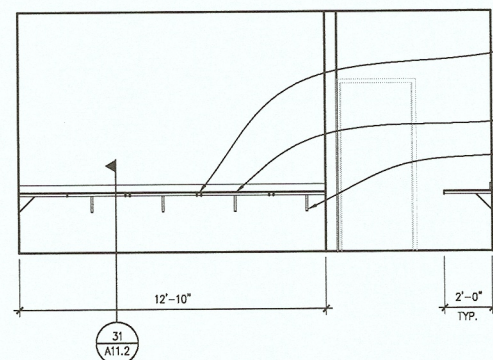
LIBRARY SHELVING SOUTH ELEV.

SCALE: 1/4" = 1'-0"



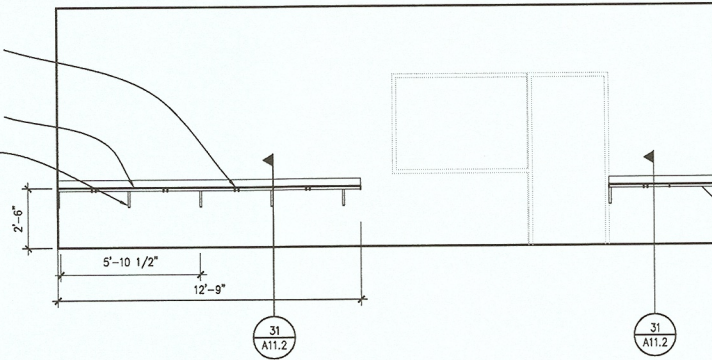
LIBRARY SHELVING EAST ELEV.

SCALE: 1/4" = 1'-0"



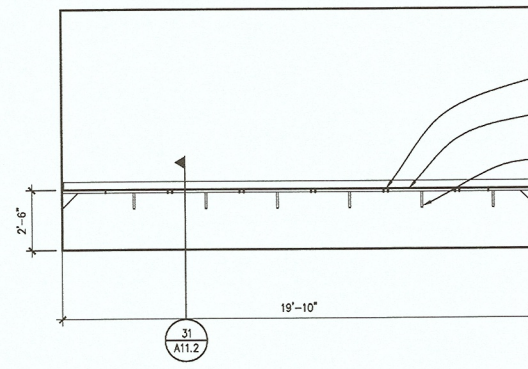
COMPUTER ROOM NORTH ELEV.

SCALE: 1/4" = 1'-0"



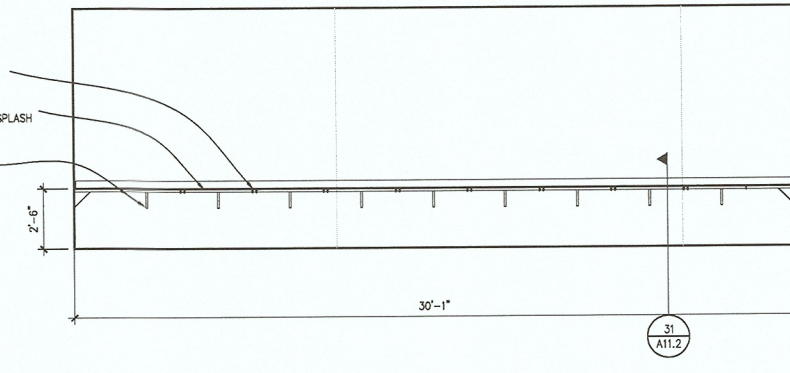
COMPUTER ROOM WEST ELEV.

SCALE: 1/4" = 1'-0"



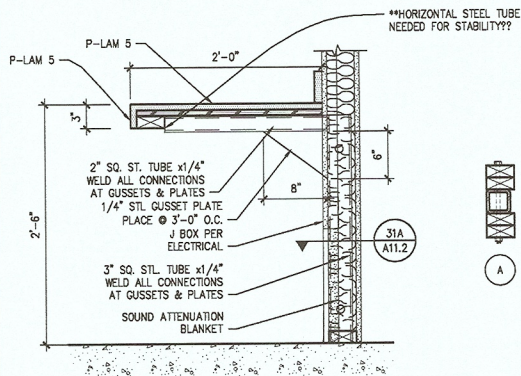
COMPUTER ROOM SOUTH ELEV.

SCALE: 1/4" = 1'-0"



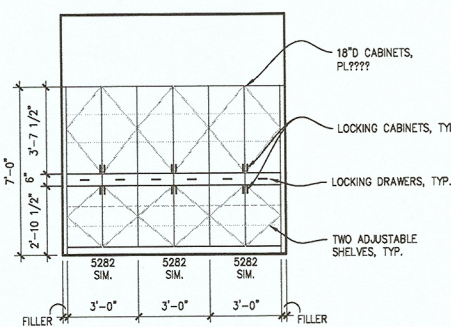
COMPUTER ROOM WEST ELEV.

SCALE: 1/4" = 1'-0"



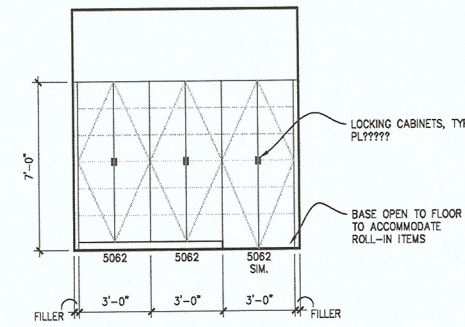
COMPUTER DESK

SCALE: 1" = 1'-0"



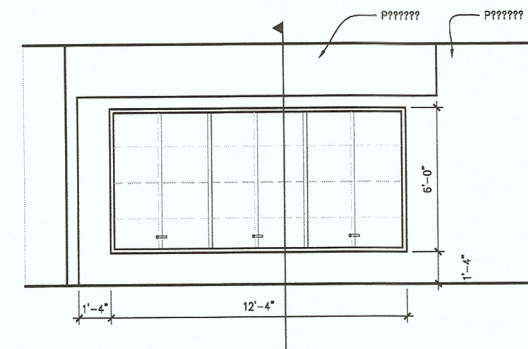
OFFICE C103

SCALE: 1/4" = 1'-0"



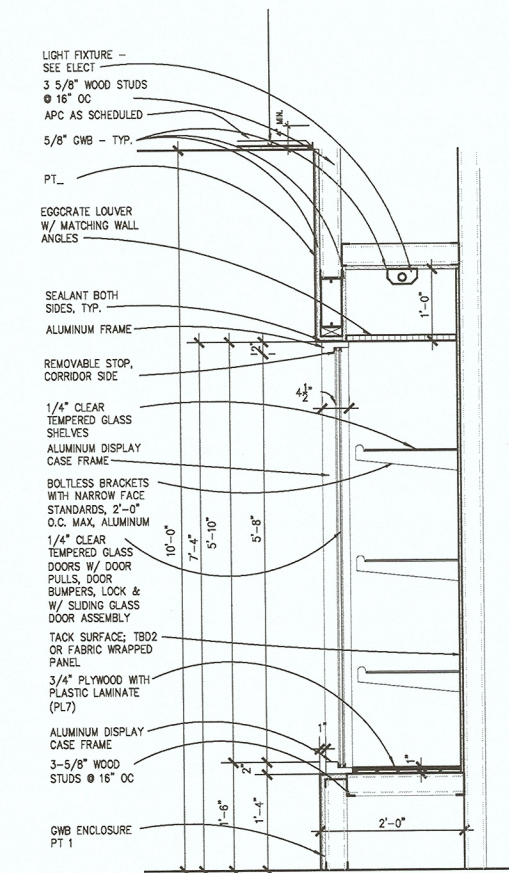
STORAGE C104

SCALE: 1/4" = 1'-0"



DISPLAY CASE

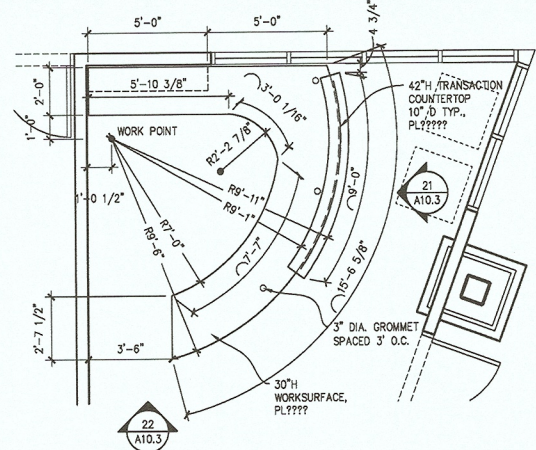
SCALE: 1/4" = 1'-0"



SECTION @ DISPLAY CASE

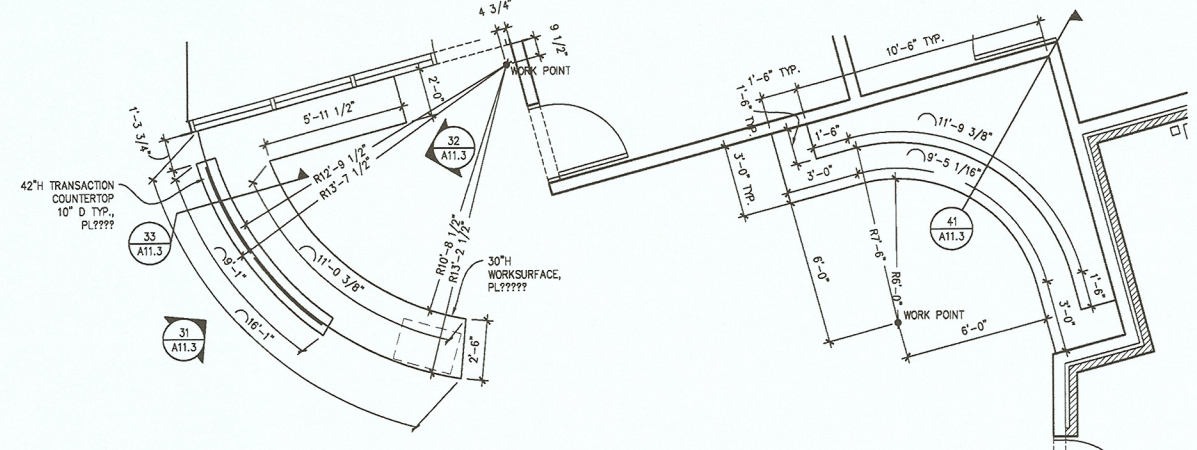
SCALE: 3/4" = 1'-0"

L:\Projects\74-07105-30\Drawings\A11.2.dwg Mar 11, 2008 2:07pm



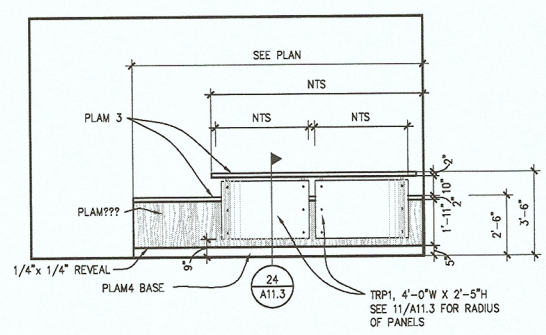
11 ENLARGED PLAN @ RECEIPT DESK

SCALE: 1/4" = 1'-0"



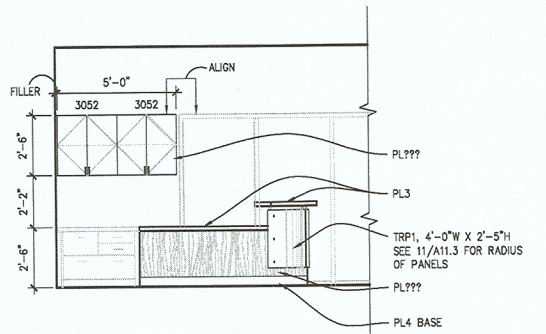
12 ENLARGED PLAN @ MEDIA CENTER DESK AND READING RISERS

SCALE: 1/4" = 1'-0"



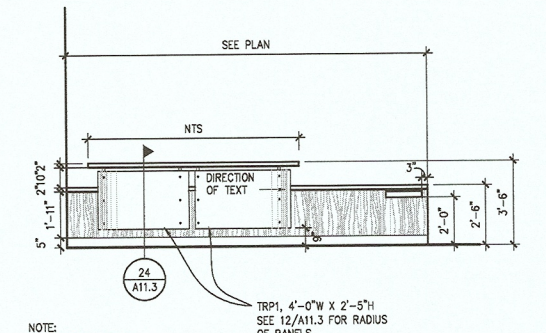
21 ELEVATION @ ADMINISTRATION DESK

SCALE: 1/4" = 1'-0"



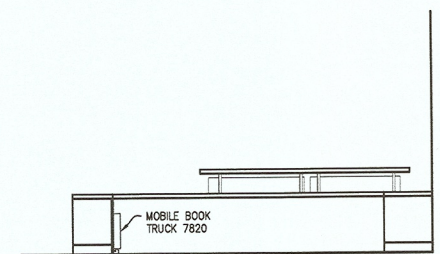
22 ELEVATION @ ADMINISTRATION DESK

SCALE: 1/4" = 1'-0"



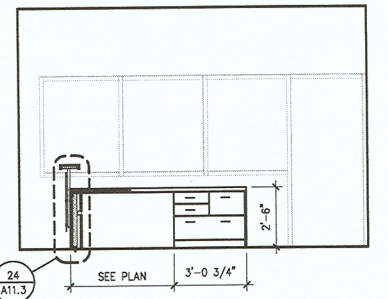
31 ELEVATION @ MEDIA CTR DESK

SCALE: 1/4" = 1'-0"



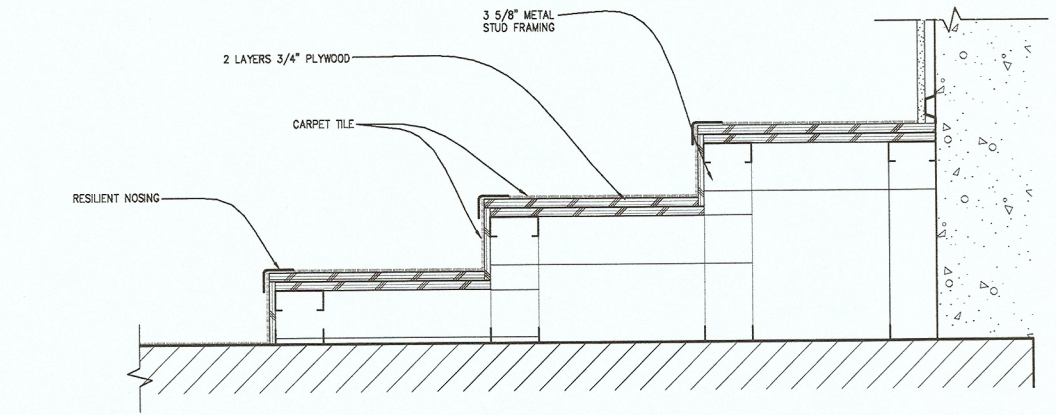
32 ELEVATION @ MEDIA CTR DESK

SCALE: 1/4" = 1'-0"



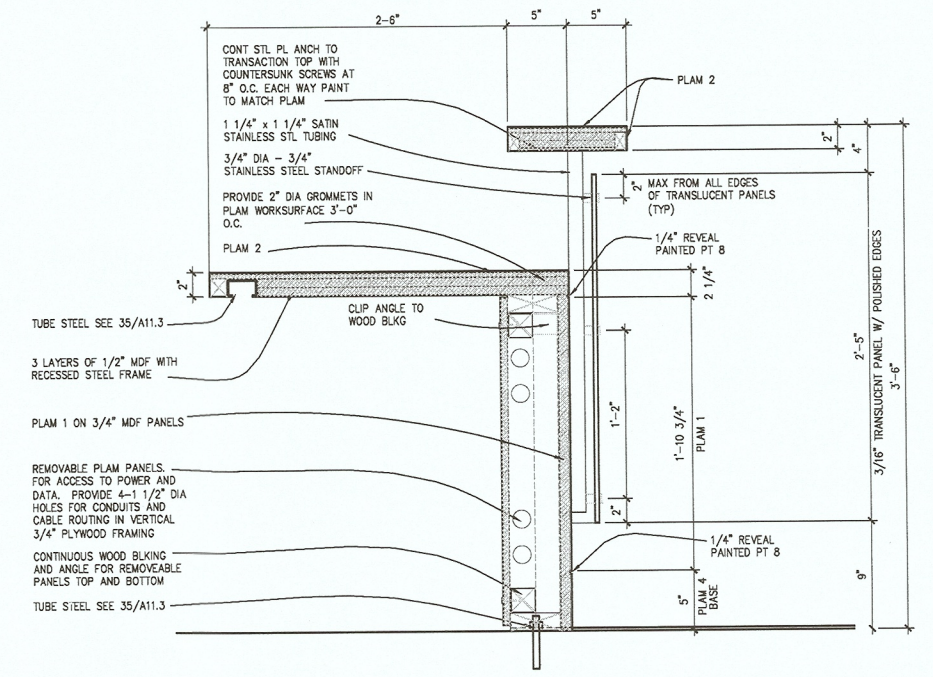
33 ELEVATION @ MEDIA CTR DESK

SCALE: 1/4" = 1'-0"



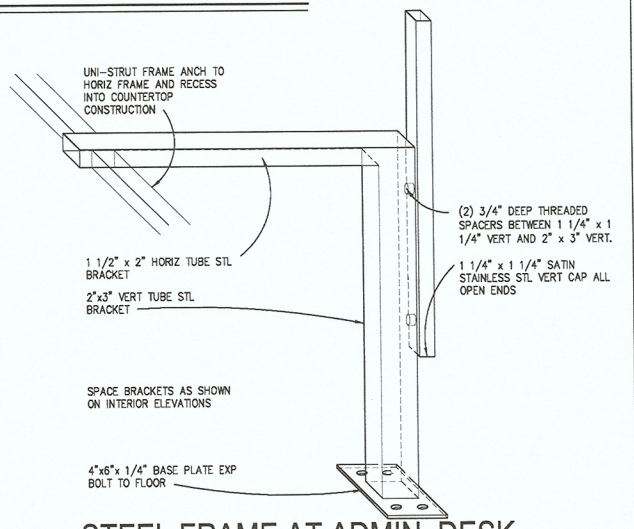
41 STORYTELLING RISER SECTION

SCALE: 1 1/2" = 1'-0"



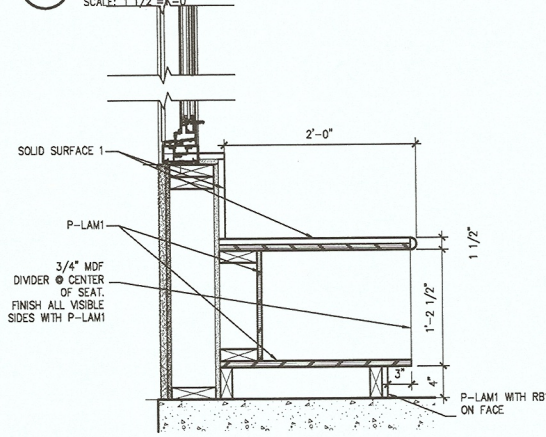
24 SECTION @ ADMINISTRATION DESK

SCALE: 1 1/2" = 1'-0"



35 STEEL FRAME AT ADMIN. DESK

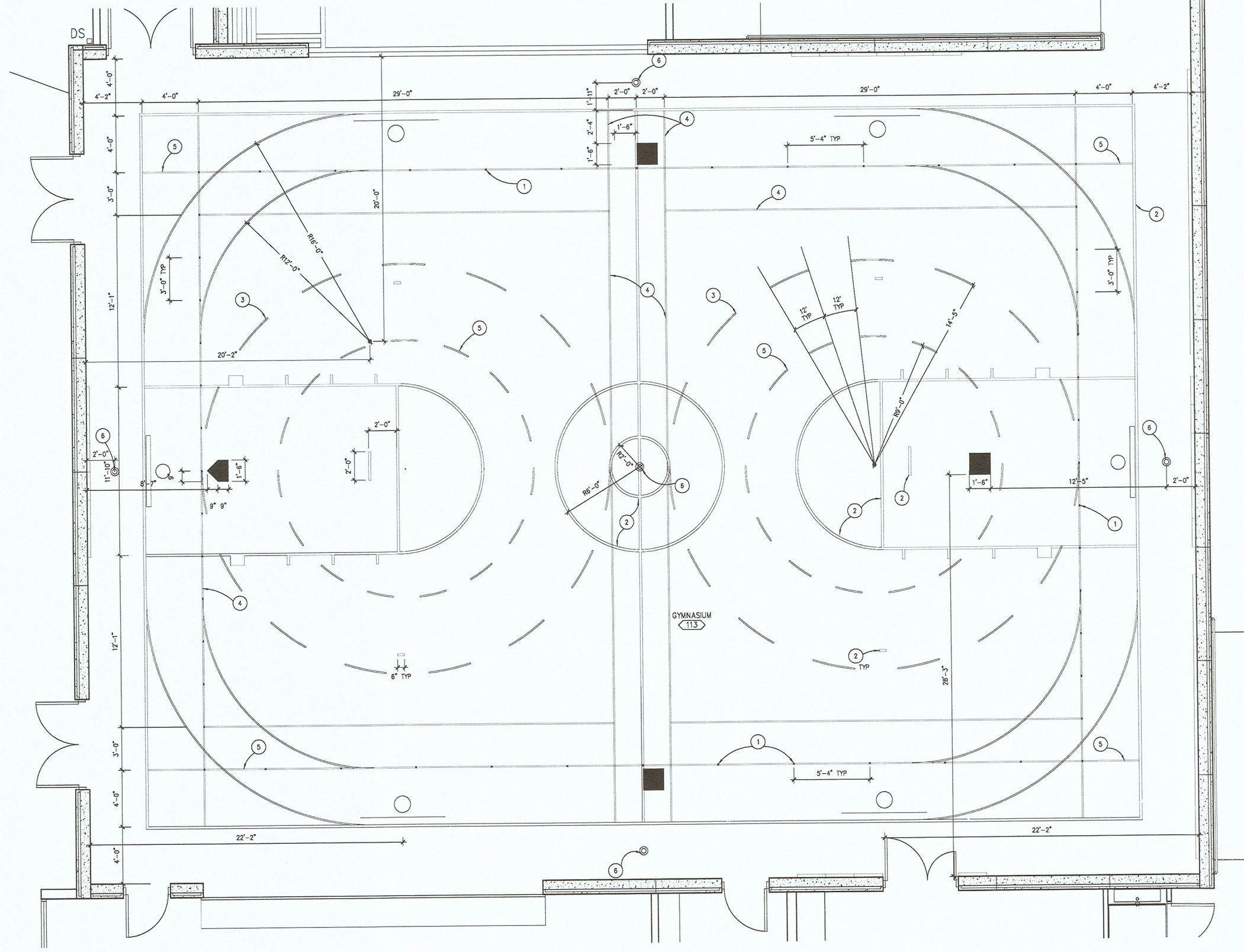
SCALE: 1 1/2" = 1'-0"



45 WINDOW SEAT

SCALE: 1" = 1'-0"

L:\Projects\74-07105-30\Drawings\A11.3.dwg
Mar 11, 2008 2:10pm - reno

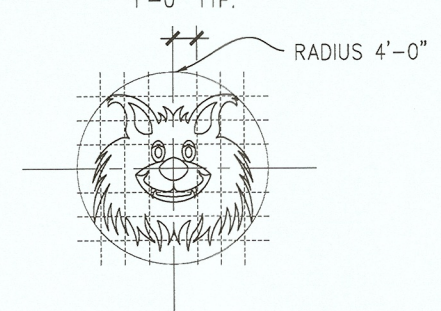
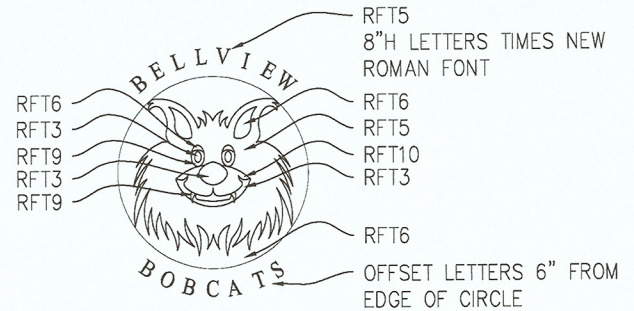


KEY NOTES

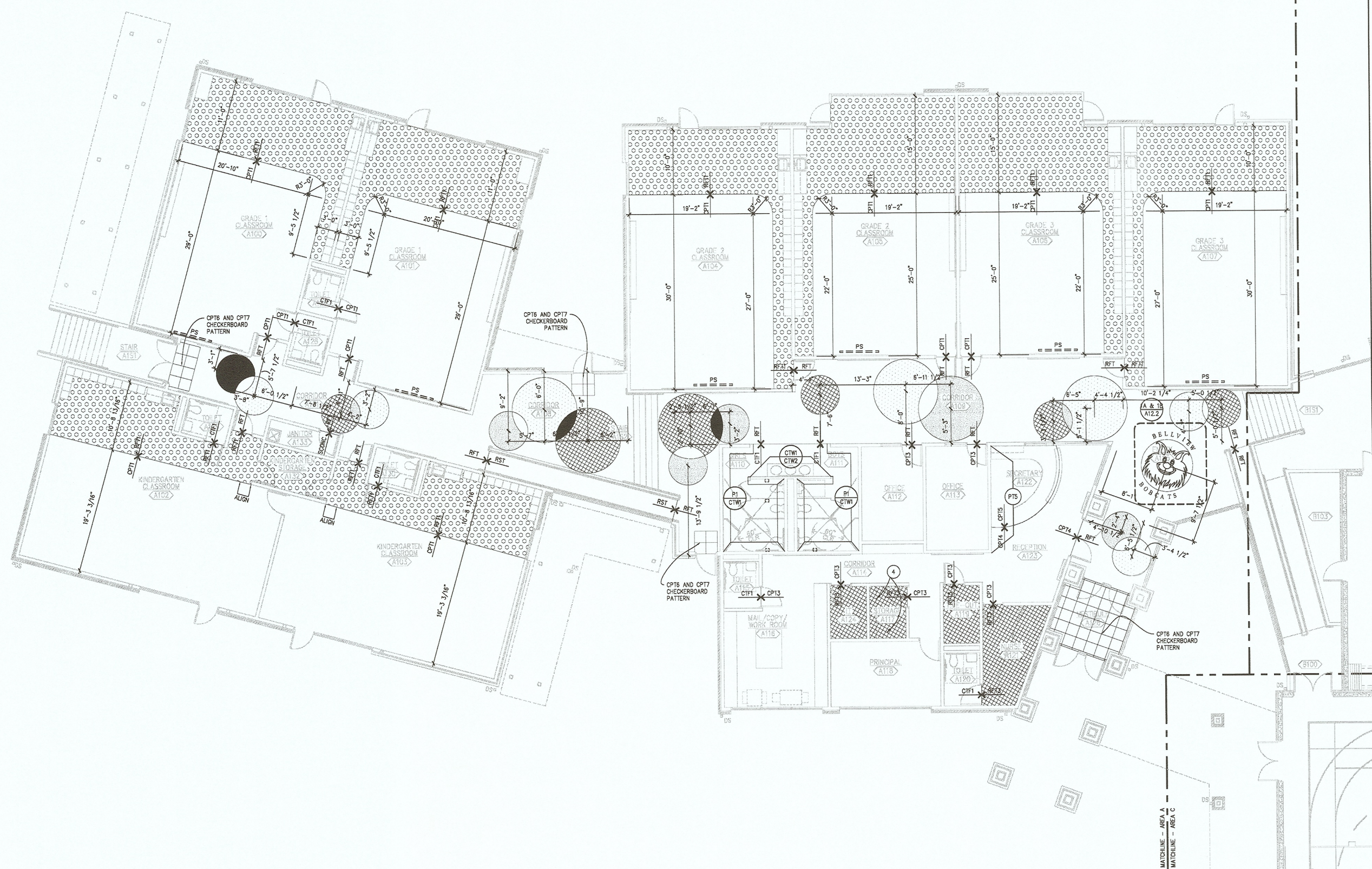
- 1 1" X 1" BLACK SQUARE CENTERED ON LINE
- 2 2' BLACK LINE
- 3 1' BROWN LINE
- 4 1' RED LINE
- 5 1' YELLOW LINE
- 6 VOLLEYBALL POST FLOOR SLEEVE

GYM STRIPING PLAN BELLVIEW ELEMENTARY

A12.1
74-07105-30
03-10-08



1 ENLARGED FLOOR PATTERN
 SCALE: 1/2" = 1'-0"



INTERIOR FINISH PLAN - AREA A
 SCALE: 1/8" = 1'-0"

FINISH PLAN GENERAL NOTES

- A. FINISH PLAN GENERAL NOTES APPLY TO ALL FINISH PLAN SHEETS.
- B. RUBBER FLOOR CIRCLES HAVE A TYPICAL RADIUS OF 10'-0" AND 6'-0" UNLESS NOTED OTHERWISE.

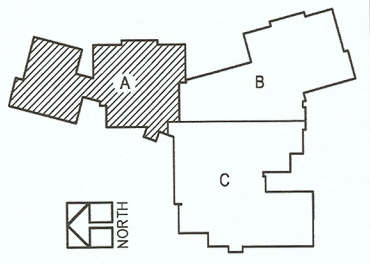
FINISH PLAN KEY NOTES

- 1 PAINT COLUMN P1
- 2 PATCH WALL TILE TO MATCH EXISTING AS REQUIRED.
- 3 PATCH FLOOR TILE TO MATCH EXISTING AS REQUIRED.
- 4 SHELF AND ROD, LSI #5405. MOUNT @ 60" A.F.F.
- 5 PAINT NEW WALL AND WOOD TRIM, EDGE TO EDGE. MATCH EXISTING PAINT ENTIRE ROOM P1.
- 6 PATCH FLOORING AS NEEDED. MATCH EXISTING.
- 7 NOT USED.
- 8 NOT USED.
- 9 NOT USED.
- 10 NOT USED.

KEY

	RFT1
	RFT2
	RFT3
	RFT4
	RFT5
	RFT6
	RFT7
	RFT8
	RFT9
	RFT10
	FLOOR FINISH
	WALL FINISH
	FLOOR TRANSITION

KEY PLAN



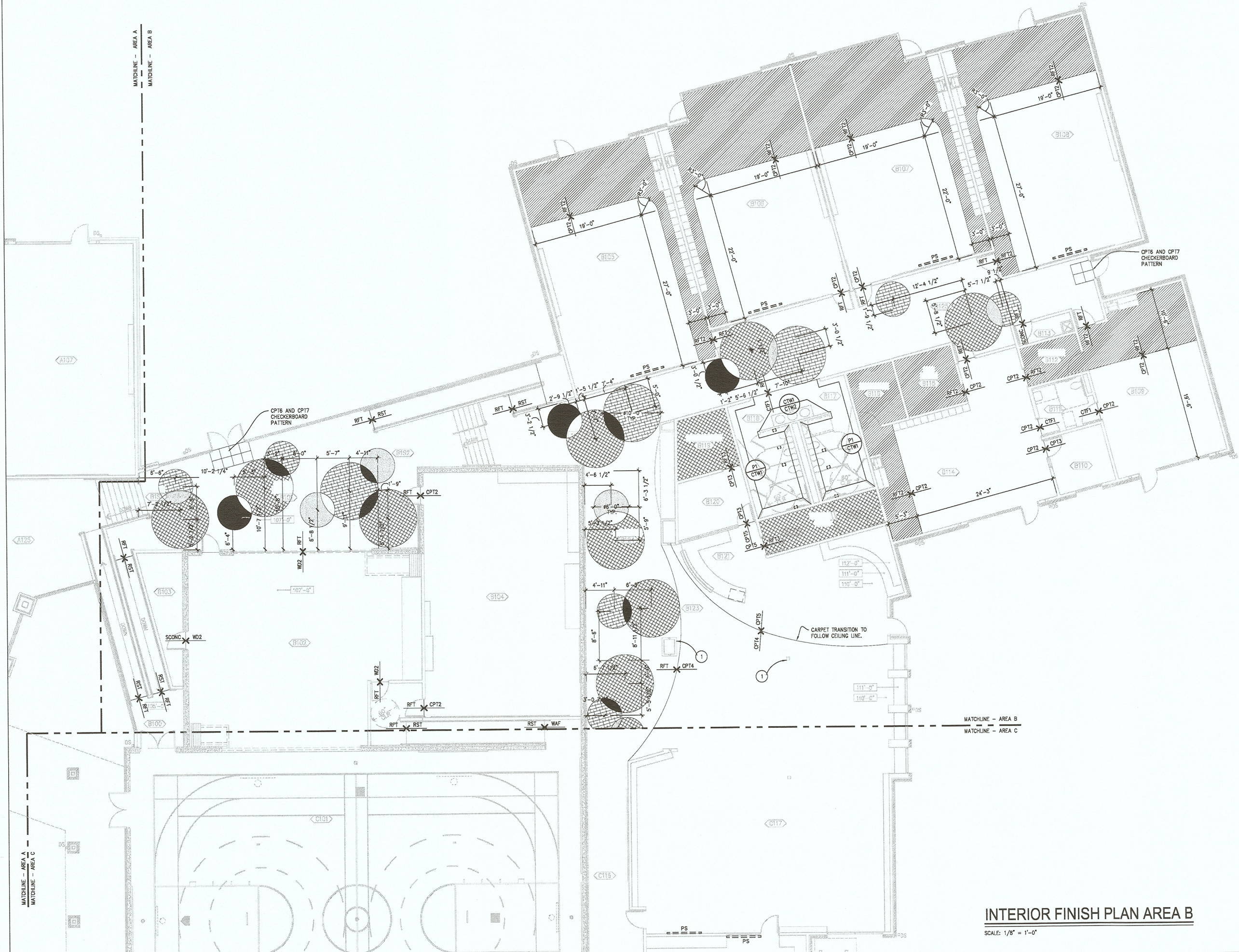
PRELIMINARY PRINT
 03-10-08
 NOT FOR CONSTRUCTION

QA DRAWING SET

INTERIOR FINISH PLAN - AREA A
BELLVIEW ELEMENTARY

A12.2
 74-07105-30
 03-10-08

DLR Group
 Architecture Planning Interiors



FINISH PLAN GENERAL NOTES

- A. FINISH PLAN GENERAL NOTES APPLY TO ALL FINISH PLAN SHEETS.
- B. RUBBER FLOOR CIRCLES HAVE A TYPICAL RADIUS OF 10'-0" AND 6'-0" UNLESS NOTED OTHERWISE.

FINISH PLAN KEY NOTES

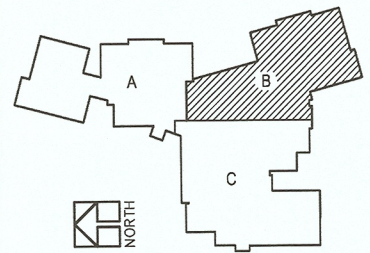
1. PAINT COLUMN PT1
2. PATCH WALL TILE TO MATCH EXISTING AS REQUIRED.
3. PATCH FLOOR TILE TO MATCH EXISTING AS REQUIRED.
4. SHELF AND ROD, LSI #5405, MOUNT @ 80" A.F.F.
5. PAINT NEW WALL AND WOOD TRIM, EDGE TO EDGE, MATCH EXISTING PAINT ENTIRE ROOM P1.
6. PATCH FLOORING AS NEEDED, MATCH EXISTING.
8. NOT USED.
9. NOT USED.
10. NOT USED.

KEY

	RFT1
	RFT2
	RFT3
	RFT4
	RFT5
	RFT6
	RFT7
	RFT8
	RFT9
	RFT10

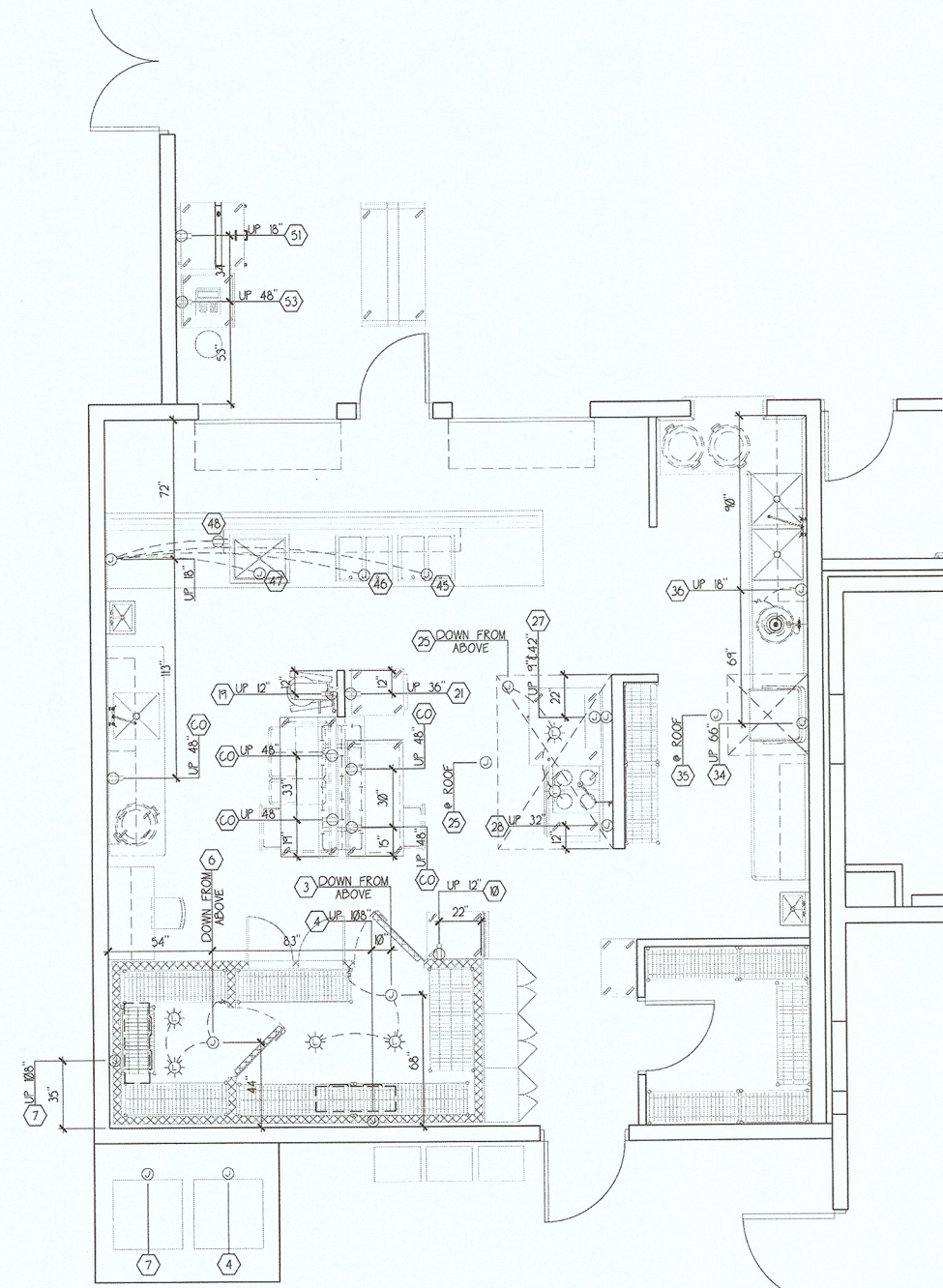
FLOOR FINISH
 WALL FINISH
 FLOOR TRANSITION

KEY PLAN



**INTERIOR FINISH PLAN - AREA B
 BELL VIEW ELEMENTARY**

A12.3
 74-07105-30
 03-10-08



1 ELECTRICAL ROUGH-INS
SCALE: 1/4" = 1'-0"

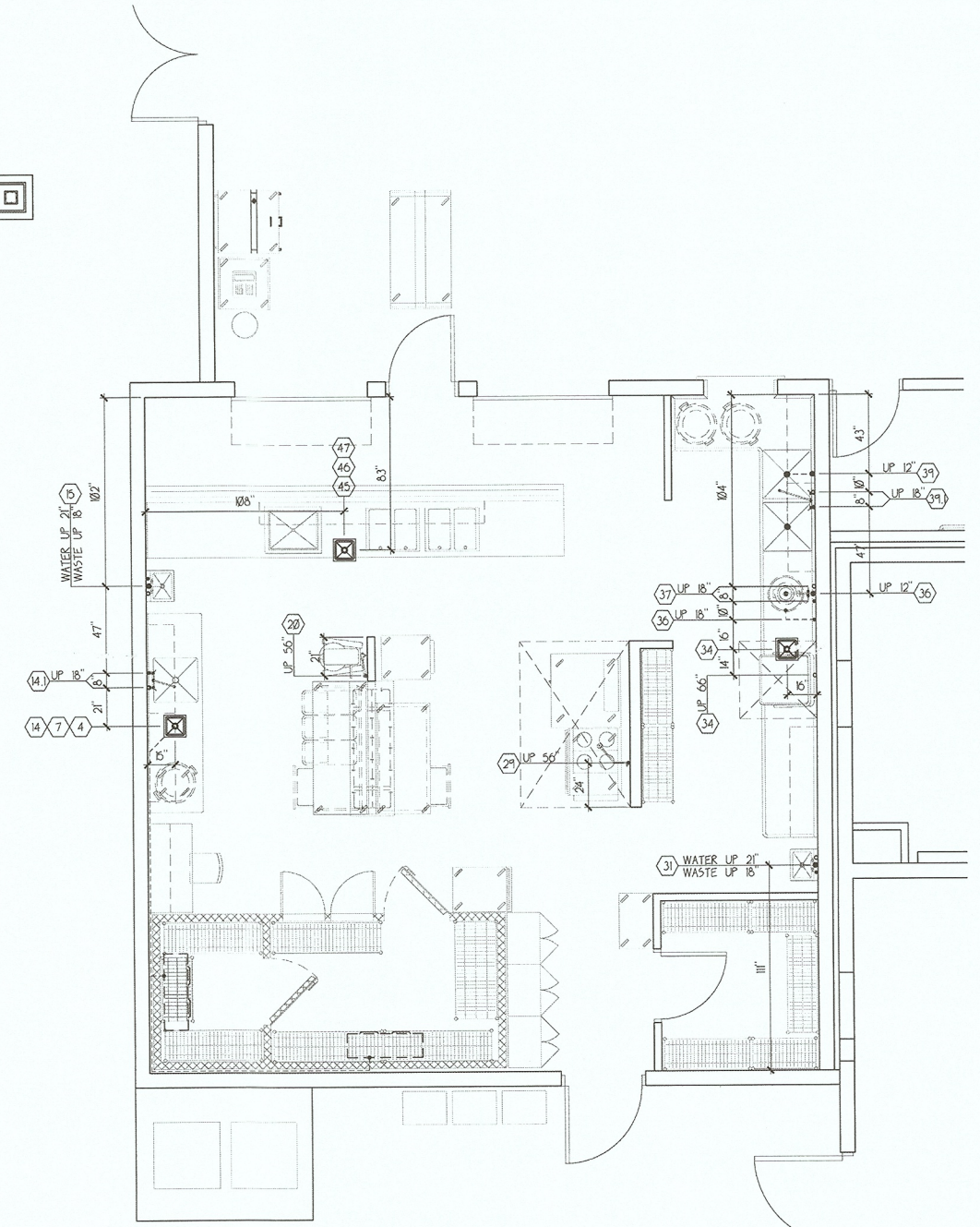
- ⊕ DUPLEX OUTLET (D.C.O.)
- ⊕ SINGLE OUTLET
- ⊕ FLOOR OUTLET
- ⊕ LIGHT FIXTURE
- ⊕ JUNCTION BOX
- ⊕ SPECIAL PLUG
- ⊕ ELEC. STUD
- ⊕ SWITCH
- ⊕ MOTOR
- ⊕ THERMOSTAT
- ⊕ SOLENOID
- ⊕ 120V CONVENIENCE OUTLET

PLUMBING REQUIREMENTS NOTES

1. Grease traps are not part of the food service equipment. Plumbing contractor shall verify size and location.
2. Connection from rough-in to final water, steam, gas and drain connections on food service equipment by Plumbing Contractor.
3. Plumbing Contractor to furnish and install 120V U.L. approved solenoid gas valves of appropriate sizes for fuel shut-off to these items protected by fire protection systems. Power connections by Electrician.
4. All floor sinks indicated shall be flush with finished floor.
5. Plumber shall furnish and install check valves on hot and cold water lines where an open circuit is possible between hot and cold water systems, such as, but not limited to pre-rinse sprays, hose reels, pot fillers, kettle fillers and hose bib faucets.
6. All hot water supply to be (140 degrees F) unless noted otherwise. Hand sinks (120 degrees F).
7. This rough-in drawing is for equipment furnished by Kitchen Equipment Contractor only. Refer to architect's electrical and mechanical drawings for equipment other than that shown on these drawings.
8. All dimensions shown are from center lines of columns or finished wall surfaces.
9. All lines to come out of walls or floors at heights indicated by "+" inches. It shall be the responsibility of the mechanical contractor to insure that all utilities and connections shall conform to local and applicable codes.
10. All utility lines shall be concealed in walls and columns unless otherwise noted.
11. Plumber shall interconnect all component parts or sections of equipment not pre-plumbed by the manufacturer and all equipment delivered in sections to accommodate access.
12. For additional information regarding food service equipment and/or type of method of utility connection, refer to the manufacturer's specification sheet in the food service equipment brochure provided by the Kitchen Equipment Contractor.
13. Plumbing contractor shall provide pressure reducing valves as required for coffee makers, soda systems, etc.
14. Floor Drains (F.D.) are suggested only for wet areas. Verify with engineers drawings for exact locations and quantities.

ELECTRICAL REQUIREMENTS NOTES

1. Final connection from rough-in to controls, receptacles, junction boxes, breaker panels or switches, etc. by Electrical Contractor.
2. Unless otherwise specified, disconnect switches are not a part of the food service equipment, and will in no case be furnished with such equipment.
3. Fan switches furnished and installed by electrical contractor and wired to solenoids and fan motors.
4. All pedestal and floor outlets shall be waterproof.
5. All integral equipment, heaters, lights, and other internal components (except walk-in coolers) shall be pre-piped conduit to junction boxes or breaker panels by the food service equipment fabricator, ready for wiring.
6. This rough-in drawing is for equipment furnished by kitchen equipment contractor only. Refer to architect's electrical and mechanical drawings for equipment other than those on these drawings.
7. All dimensions shown are from center lines of columns or finished wall surfaces.
8. For additional information regarding food service equipment and/or type of method of utility connection, refer to the manufacturer's specification sheet in the food service equipment brochure provided by the kitchen equipment contractor.
9. All duplex receptacles shall be mounted horizontally and GFI protected in kitchen area only.
10. Electrical contractor shall interconnect: from ventilator control cabinet to main thermostat J-box on ventilator; from light switch to J-box on ventilator; from control cabinet to remote fire switch; from control cabinet to remote solenoid valves, from control cabinet to magnetic.
11. Electrical contractor shall interconnect from Fire Protection System Control
12. Electrical contractor shall install and/or interconnect light fixtures, switches temperature alarm thermostats, room thermostats and solenoids furnished by the walk-in cooler/freezer contractor or refrigeration contractor.
13. Electrical contractor shall provide and install conduit and conductors as required, run in crawl space above walk-in rooms using "EHS" seal offs at penetrations of ceiling panels. Electrical contractor shall cut neat penetration holes and be responsible for proper sealing of each hole.
14. Electrician to connect 120v circuit to terminal block inside ventilator fire protection control cabinet and wire from terminal block to U.L. approved solenoid gas valves provided and installed by the plumber and to the power shut-off devices on the protected items of electrical cooking equipment.
15. Electrical contractor shall furnish and install conduit, cable, connectors and junction boxes for communications cable adjacent to clean circuit convenience outlets for the on-line-point-of-sale food & beverage control systems (cashier systems) as required by the system manufacturer.



2 PLUMBING ROUGH-INS
SCALE: 1/4" = 1'-0"

- ⊗ FLOOR SINK
- ⊕ FUNNEL FLR DRAIN
- SANITARY WASTE
- HOT WATER
- COLD WATER
- ⊕ GAS CONNECTION
- FIELD CONNECTION

NO.	DESCRIPTION	DATE

THIS PLAN IS PRIMARILY A GENERAL ARRANGEMENT OF EQUIPMENT PREPARED FROM AVAILABLE INFORMATION FOR THE CONVENIENCE OF CONTRACTORS TO SUBMIT THEIR PROPOSALS. IT IS NOT TO BE USED AS A BASIS FOR CONSTRUCTION. CONTRACTORS ARE TO MAKE ALLOWANCES FOR ALL DIMENSIONS ARE TO BE FIELD CHECKED BY CONTRACTOR CONCERNED. UNLESS OTHERWISE NOTED, CONTRACTORS ARE TO MAKE ALLOWANCES FOR AND SUPPLY ALL NECESSARY EQUIPMENT. CONTRACTORS SHALL BE RESPONSIBLE FOR ADHERENCE TO ALL CODES, REST WITH THE GENERAL CONTRACTOR AND/OR HIS SUBCONTRACTORS. P&K DOES NOT ACCEPT RESPONSIBILITY FOR WORK DONE UNDER THE GENERAL CONTRACTOR'S SUPERVISION OR BY THE SUBSTITUTION OR CHANGES IN EQUIPMENT SHOWN ON THIS PLAN. THIS PLAN MUST BE VERIFIED AND APPROVED BEFORE DETAILING CAN BE STARTED. THESE PLANS ARE THE PROPERTY OF P&K UPON REQUEST. THIS PLAN IS FULLY PROTECTED UNDER THE COPYRIGHT LAWS OF THE U.S.

PETERSON
Vancouver, Washington
Phone 866 374-6767 Fax (360) 374-6792

JOB TITLE: **BELLEVUE ELEMENTARY**
SHEET TITLE: **FOODSERVICE EQUIPMENT ROUGH-INS**
PROJ. CONSULTANT: **S PETERSON**
DATE: **03/01/00**
SCALE: **1/4"=1'-0"**
DWS BY: **DER**

JOB NUMBER: **FS-2**
DWS FILE: **FS-2**
SHEET NUMBER: **FS-2**
DATE: **03/01/00** REV.#: **2**

FOUNDATION NOTES:

1. ALL WORK & MATERIALS SHALL CONFORM TO THE 2007 OSSC AND THE STATE OF OREGON STRUCTURAL SPECIALTY CODE.
2. GC SHALL VERIFY ALL DIMENSIONS AND ANCHOR BOLT LAYOUTS PRIOR TO CONSTRUCTION.
3. ALL STRUCTURAL CONCRETE SHALL BE $f_c = 3500$ psi @ 28 DAYS, 4" SLUMP. PROVIDE 4% AIR ENTRAINMENT FOR ALL INTERIOR CLIMATE CONTROLLED CONCRETE AND 6% AIR ENTRAINMENT FOR ALL CONCRETE EXPOSED TO THE EXTERIOR.
4. ALL CONCRETE SHALL BE CURED PER ACI 318-05 STANDARDS.
5. ALL REBAR SHALL BE ASTM A615 GRADE 60 U.N.O. LAP ALL BARS 60 DIAMETERS (U.O.N.). SUBMIT SHOP DRAWINGS FOR REVIEW AND APPROVAL.
6. ALL TIE WIRE SHALL BE Min. #18 ANNEALED STEEL.
7. ALL REINFORCING STEEL SHALL BE TIED 100% ALONG ALL PERIMETER EDGES AND 50% FIELD.
8. ALL ANCHOR BOLTS SHALL BE A307 PER ASTM DESIGNATION U.N.O. ALL ANCHOR BOLTS SHALL BE INSTALLED USING TEMPLATES.
9. GC SHALL COORDINATE ALL SLAB PENETRATIONS WITH PLUMBING, ELECTRICAL AND MECHANICAL REQUIREMENTS.

10. GC SHALL COORDINATE SLAB FINISHES WITH ARCHITECT
11. ALL SLAB REINFORCING SHALL BE INSTALLED 2" CLEAR FROM SLAB SURFACE AND SUPPORTED WITH DEVICES SPACED 30" AS TO MAINTAIN THE STEEL AT CORRECT POSITION DURING CONCRETE PLACEMENT.
12. THE EXISTING SITE SHALL BE CLEARED AND GRUBBED OF ALL ORGANIC AND/OR UNCONTROLLED FILL MATERIAL PRIOR TO STRUCTURAL FILL IMPORT AS REQD. EXCAVATE TO BOTTOM OF FOOTINGS TO FIRM, UNDISTURBED, NON-ORGANIC NATIVE MATERIAL. SEE GEOTECH. REPORT RECOMMENDATION FOR ADDITIONAL INFORMATION BY AMRHEIN ASSOCIATES, INC DATED SEPTEMBER 4, 2007.
13. THE SUBGRADE MATERIALS LOCATED UNDER THE NEW BUILDING SLAB STRUCTURAL FILL PER GEOTECHNICAL REPORT.
14. ALL FOOTINGS CONCRETE SHALL BE PLACED OVER 8" MINIMUM LAYER OF APPROVED 3/4" minus (CAPILLARY BREAK) CRUSHED ROCK COMPACTED TO 100% OF ASTM D598 (SEE GEOTECH. REPORT)

GENERAL SPECIFICATIONS:

1. GENERAL REQMTS
 - A. ALL WORK SHALL BE PERFORMED IN ACCORDANCE TO THE 2007 OSSC, AND ALL LOCAL CODES AND ORDINANCES AS APPLICABLE.
 - B. CONTRACTOR SHALL BE RESPONSIBLE FOR ALL CONSTRUCTION METHODS, TECHNIQUES, SEQUENCING, AND SAFETY REQUIRED TO COMPLETE CONSTRUCTION.
 - C. CONTRACTOR SHALL VERIFY ALL DIMENSIONS AND DETAILS PRIOR TO PROCEEDING WITH CONSTRUCTION.
 - D. CONTRACTOR SHALL CALL THIS OFFICE IF ANY CLARIFICATIONS OF THE PLANS ARE NEEDED, OR IF ACTUAL CONDITIONS SIGNIFICANTLY VARY FROM WHAT IS SHOWN ON PLANS.
2. WELDING
 - A. WELDING SHALL CONFORM WITH AWS (LATEST EDITION) STRUCTURAL WELDING CODE - STEEL. WELDING FILL METAL SHALL BE AWS AS 1 OR AS 5 E70XX ELECTRODES OR AWS AS 18 ER70S-X. ALL WELDING SHALL BE PERFORMED BY WELDERS AWS CERTIFIED WITHIN THE PAST TWO YEARS FOR THE TYPE OF WELDING PERFORMED.
 - B. AFTER FABRICATION, BUT BEFORE INSTALLATION, REMOVE RUST SCALE, GREASE AND OIL BY WIRE BRUSHING AND CHEMICAL TREATMENT.
 - C. SHOP PRIME STEEL ITEMS WITH A HEAVY COAT OF RUST INHIBITING METAL PRIMER
3. ALL BOLTS SHALL BE AS FOLLOWS:
 - A. STEEL -to- STEEL CONN. - A325
 - B. STEEL -to- WOOD CONN. - A307
 - C. STEEL -to- CONC. CONN. - PER PLANS
 - D. WOOD -to- WOOD CONN. - A307
 - E. WOOD -to- CONC. CONN. - A307
 - F. ALL BOLT HOLES SHALL BE DRILLED OR PUNCHED 1/8" LARGER THAN SPECIFIED BOLT DIAMETER.

4. STRUCTURAL WOOD
 - A. ALL STRUCTURAL WOOD MEMBERS SHALL BE DOUGLAS FIR NO.2 OR BETTER, UNLESS OTHERWISE NOTED.
 - B. WASHERS SHALL BE USED UNDER ALL BOLT HEADS AND NUTS BEARING ON WOOD.
 - C. ALL WOOD SILL PLATES AND WOOD IN CONTACT WITH CONCRETE SHALL BE PRESSURE TREATED.
 - D. PRE-MANUFACTURED METAL CONNECTORS (SIMPSON) SHALL BE USED FOR ALL WOOD TO WOOD CONNECTIONS UNLESS OTHERWISE NOTED BY ENGINEER, & SHALL BE INSTALLED PER MANUFACTURERS SPECS.
5. MANUFACTURED LUMBER
 - A. PRE-MANUFACTURED METAL CONNECTORS (SIMPSON) SHALL BE USED FOR ALL WOOD TO WOOD CONNECTIONS UNLESS OTHERWISE NOTED BY ENGINEER, & SHALL BE INSTALLED PER MANUFACTURERS SPECS.
 - B. TRUSS JOIST OPEN-WEB JOISTS TO BE INSTALLED PER MANUFACTURERS SPECS.
 - C. BEAMS NOTED AS VL - VERSALAM - $F_y = 3100$ psi & $E = 2.0$
 - D. ALL EXTERIOR MANUFACTURED LUMBER SHALL BE WEATHER PROOFED PER MFG. SPECIFICATIONS.
6. STRUCTURAL STEEL
 - A. ALL STRUCTURAL STEEL DETAILING, FABRICATION, ERECTION AND IDENTIFICATION SHALL CONFORM TO THE AMERICAN INSTITUTE OF STEEL CONSTRUCTION (AISC) SPECS.
 - B. STRUCTURAL STEEL PLATE AND BARS SHALL CONFORM TO ASTM A36 W & WT SHAPES -ASTM A992 GRADE 50 ANGLES -ASTM A36 STRUCTURAL STEEL TUBE SHALL CONFORM TO ASTM A500 GRADE B, W/ID COSMULINE $F_y = 46$ KSI.
 - C. SHOP DRAWINGS REQ'D FOR ALL STRUCTURAL STEEL.
7. WEATHER
 - A. NO CONCRETE IS TO BE PLACED WHEN THE TEMP. IS BELOW 40° FAHRENHEIT UNLESS PROVISIONS ARE MADE TO PROTECT AGAINST FREEZING FOR A PERIOD OF TIME NOT LESS THAN SEVEN DAYS.

NOTES TO THE CONTRACTOR:

- G.C. SHALL COORDINATE STRUCTURAL DETAILING, SEQUENCING AND SHORING INCIDENTAL TO ERECTION OF THE PRIMARY STRUCTURAL SYSTEMS DEPICTED IN THE DRAWINGS.
- G.C. TO PROVIDE STEEL SHOP DRAWINGS FOR ENGINEER APPROVAL.
- ALL WATERPROOFING, DAMP PROOFING, AND WEATHERPROOFING SHALL BE THE RESPONSIBILITY OF THE CONTRACTOR.
- REFERENCE ARCHITECTURAL SHEETS FOR ALL CONSTRUCTION DIMENSIONS
- G.C. TO SUBMIT OPEN WEB JOIST SHOP DWG. FOR ENGINEER REVIEW APPROVAL
- G.C. TO PROVIDE ALL TEMPORARY SHORING NECESSARY FOR REMOVAL OF THE EXISTING BUILDING WITHOUT THE HINDRANCE OF THE HISTORICAL BUILDING TO BE SAVE.
- G.C. TO SUBMIT A FOUNDATION STEP LOCATION PLAN FOR CONFORMANCE WITH SUPERSTRUCTURE DESIGN.
- G.C. TO COORDINATE ADDITIONAL MECHANICAL EQUIPMENT LOADS AS REQ'D.

DESIGN CRITERIA SUMMARY:

SNOW LOAD:	25 psf + (DRIFT)
ROOF DEAD LOAD:	20 psf
WALL DEAD LOAD:	10 psf
PARTITION WALL DL:	10 psf
BRICK VENEER DL:	45 psf
MECHANICAL DL:	PER PLAN
WIND DESIGN CRITERIA	94.5 mph EXP. C
INTERNAL PRESSURE COEFFICIENT:	Gcpi = +0.18
COMPONENTS & CLADDING:	25.7 PSF OUTWARD
BUILDING OCC. CATEGORY:	III, PUBLIC HAZARD
IMPORTANCE FACTORS:	(I) 1.5 (e), 1.1 (a) & 1.15 (w)
SOIL SITE CLASS D:	S _u = 0.572g
	S _s = 0.248g
	S _{ds} = 0.512g
	S _{d1} = 0.318g
SEISMIC DESIGN CATEGORY:	D
SLFRS:	WOOD STRUCTURAL SHEAR WALLS - R=6.5
	INTERMEDIATE PRECAST SHEAR WALLS - R=4.0
TOTAL BASE SHEAR	SEE CALCULATIONS FOR DIFFERING AREAS
Cs	SEE CALCULATIONS FOR DIFFERING AREAS
ANALYSIS PROCEDURE	EQUIVALENT LATERAL FORCE PROCEDURE

CONSTRUCTION CONNECTION NOTE:

- ALL FRAMING SHALL BE PERFORMED WITH THE IMPLEMENTATION OF THE APPROPRIATE CONNECTION HARDWARE. AT A MINIMUM, THE FOLLOWING CONDITIONS WILL REQUIRE STANDARD SIMPSON (OR APPROVED EQUAL) CONNECTION DEVICES:
- POST TO FOOTING
 - POST TO BEAM
 - BEAM TO BEAM
 - JOIST/RAFTER TO BEAM
 - JOIST/RAFTER TO LEDGER
 - JOIST/RAFTER TO WALL PLATE
 - TRUSS TO WALL PLATE
 - BLOCKING TO WALL PLATE
 - DRAG STRUT TO SHEAR WALL
 - HOLD-DOWNS TO SHEAR WALL BOUNDARIES
- **CONNECTIONS UTILIZING TOE-NAILS ALONE WILL NOT BE PERMITTED.
- **THE CONTRACTOR WILL BE RESPONSIBLE FOR VERIFYING ALL FRAMING CONNECTIONS WITH THE ENGINEER.
- ALL CONNECTIONS ARE SUBJECT TO REVISION, G.C. SHALL VERIFY CONNECTIONS FOR CONSTRUCTION FEASIBILITY AND OBSTRUCTIONS AND REPORT BACK TO ENGINEER FOR FIELD DIRECTIVES AS REQ'D.

STRUCTURAL SPECIAL INSPECTIONS:

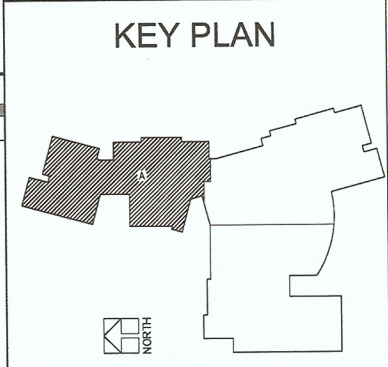
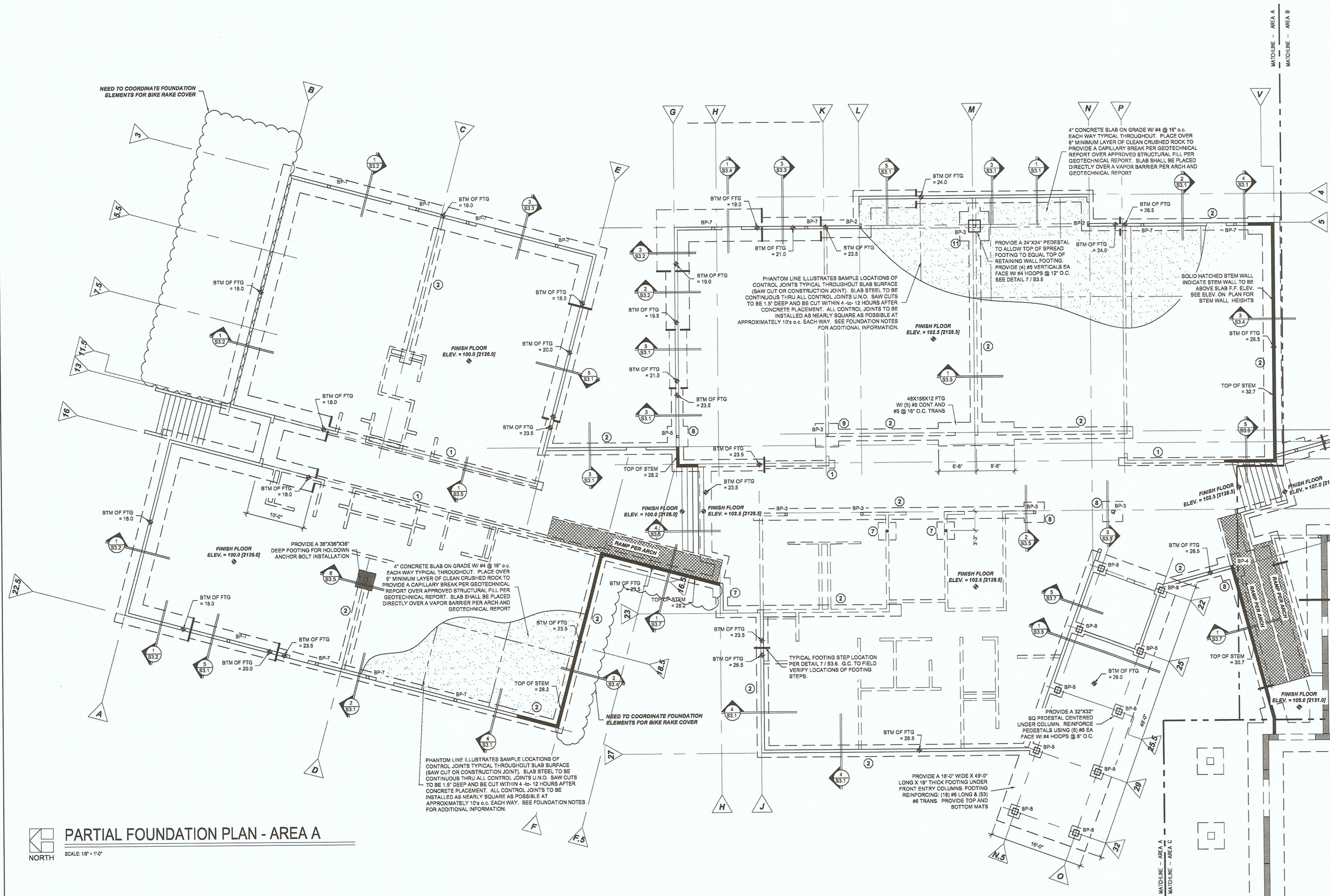
- INSPECTION OF FABRICATORS (1704.2)
- STEEL CONSTRUCTION (1704.3)
- CONCRETE CONSTRUCTION (1704.4)
- WOOD CONSTRUCTION (1704.8)
- SUBGRADE CONSTRUCTION (1704.7)
- ALL DRILLED AND EPOXY SET ANCHORS & BARS (1704.19)
- STATEMENT OF SPECIAL INSPECTION (1705)
- CONTRACTOR RESPONSIBILITY (1708)
- FOR SEISMIC RESISTANCE (1707)
- STRUCTURAL OBSERVATION (1709)
- DESIGN STRENGTHS OF MATERIALS (1710)

STRUCTURAL GENERAL NOTES
 BELL VIEW ELEMENTARY

S0.1
 74-07105-30
 03-10-08

FOOTING SCHEDULE

FTG MARK	FOOTING SIZE			REINFORCEMENT
	WIDTH	LENGTH	DEPTH	
1	1'-4"	CONT	10"	(3) #5 x CONTINUOUS
2	2'-0"	CONT	12"	(4) #5 x CONTINUOUS
3	2'-6"	CONT	12"	(4) #5 x CONTINUOUS
4	5'-0"	CONT	18"	(8) #5 x CONTINUOUS & #5 @ 24" O.C. TRANSVERSE
5	5'-6"	CONT	18"	(8) #5 x CONTINUOUS & #5 @ 24" O.C. TRANSVERSE
6	6'-0"	CONT	18"	(7) #5 x CONTINUOUS & #5 @ 24" O.C. TRANSVERSE
7	3'-0"	3'-0"	10"	(4) #5 x 2'-6" EW
8	3'-6"	3'-6"	10"	(4) #5 x 3'-0" EW
9	4'-0"	4'-0"	10"	(5) #5 x 3'-6" EW
10	4'-6"	4'-6"	10"	(5) #5 x 4'-0" EW
11	5'-0"	5'-0"	10"	(6) #5 x 4'-6" EW
12	6'-0"	6'-0"	14"	(7) #5 x 5'-6" EW
13	6'-6"	6'-6"	14"	(7) #5 x 6'-0" EW
14	7'-0"	7'-0"	14"	(8) #5 x 6'-6" EW
15	9'-0"	9'-0"	18"	(10) #5 x 8'-6" EW



PARTIAL FOUNDATION PLAN - AREA A
 SCALE: 1/8" = 1'-0"

K:\New File Structural\Projects\2007\K-4159-07 DLR Group BellviewElementary\Structural\Drawings\K-4159-07 Structural Drawings (Current) CD.dwg
 Mar 10, 2008 1:02pm - Josh Mead

FOOTING SCHEDULE

FTG MARK	WIDTH	LENGTH	DEPTH	REINFORCEMENT
1	1'-4"	CONT	10"	(3) #5 x CONTINUOUS
2	2'-0"	CONT	12"	(4) #5 x CONTINUOUS
3	2'-6"	CONT	12"	(4) #5 x CONTINUOUS
4	5'-0"	CONT	18"	(5) #5 x CONTINUOUS & #5 @ 24" O.C. TRANSVERSE
5	5'-6"	CONT	18"	(8) #5 x CONTINUOUS & #5 @ 24" O.C. TRANSVERSE
6	8'-0"	CONT	18"	(7) #5 x CONTINUOUS & #5 @ 24" O.C. TRANSVERSE
7	3'-0"	3'-0"	10"	(4) #5 x 2'-6" EW
8	3'-6"	3'-6"	10"	(4) #5 x 3'-0" EW
9	4'-0"	4'-0"	10"	(5) #5 x 3'-6" EW
10	4'-6"	4'-6"	10"	(5) #5 x 4'-0" EW
11	5'-0"	5'-0"	10"	(6) #5 x 4'-6" EW
12	6'-0"	6'-0"	14"	(7) #5 x 5'-6" EW
13	6'-6"	6'-6"	14"	(7) #5 x 6'-0" EW
14	7'-0"	7'-0"	14"	(8) #5 x 6'-6" EW
15	9'-0"	9'-0"	18"	(10) #5 x 8'-6" EW

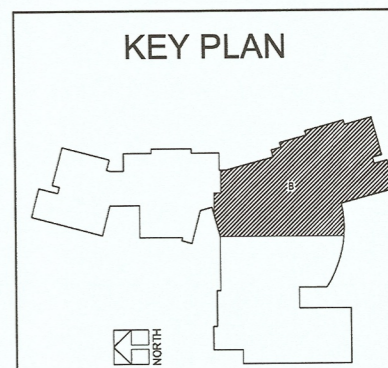
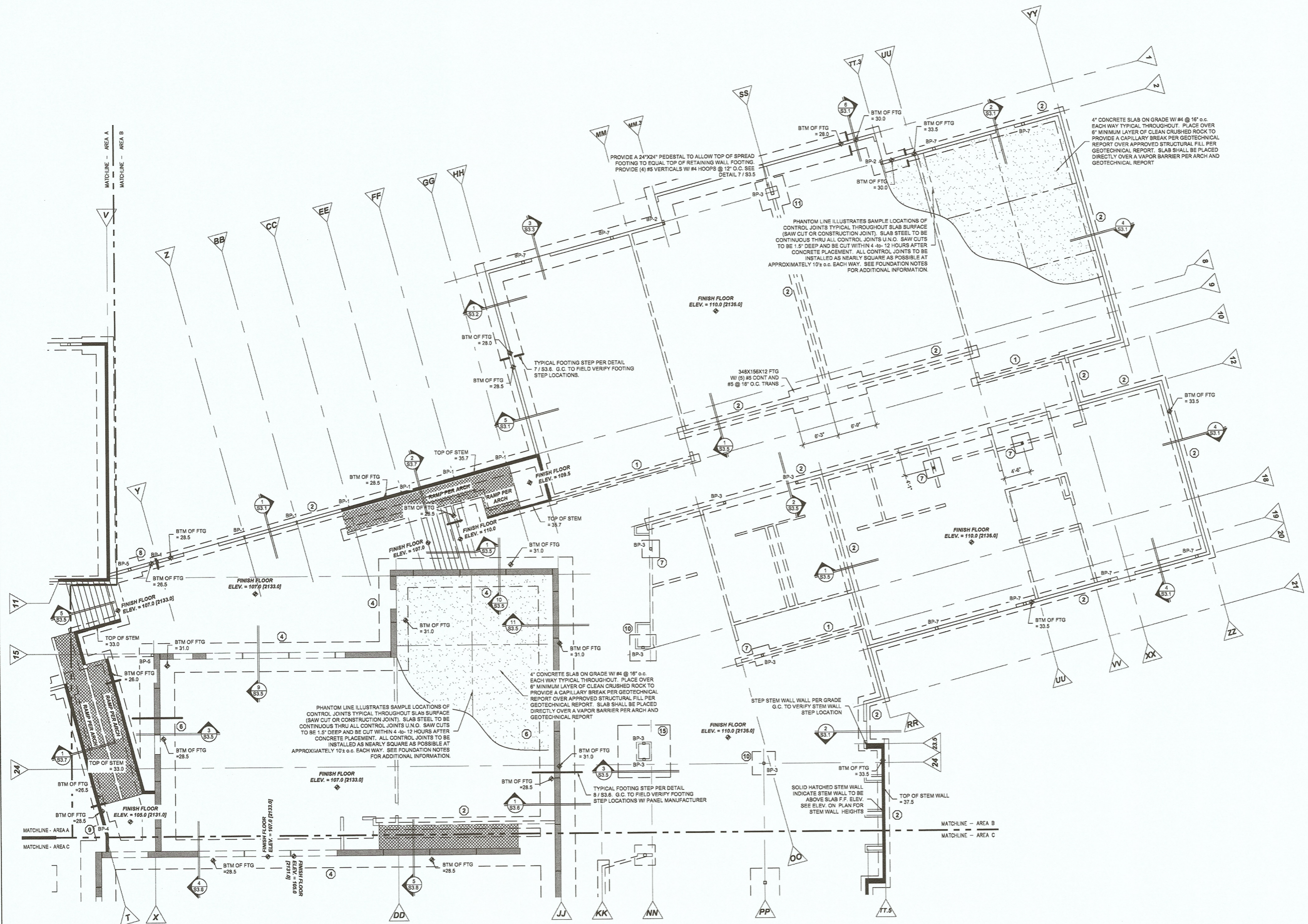
QA DRAWING SET

**PARTIAL FOUNDATION PLAN
 BELL VIEW ELEMENTARY**

S1.2
 74-07105-30
 03-10-08

DLR Group
 Architecture Planning Interiors

© 2007, DLR Group Architecture & Planning Inc., an Oregon corporation. ALL RIGHTS RESERVED.

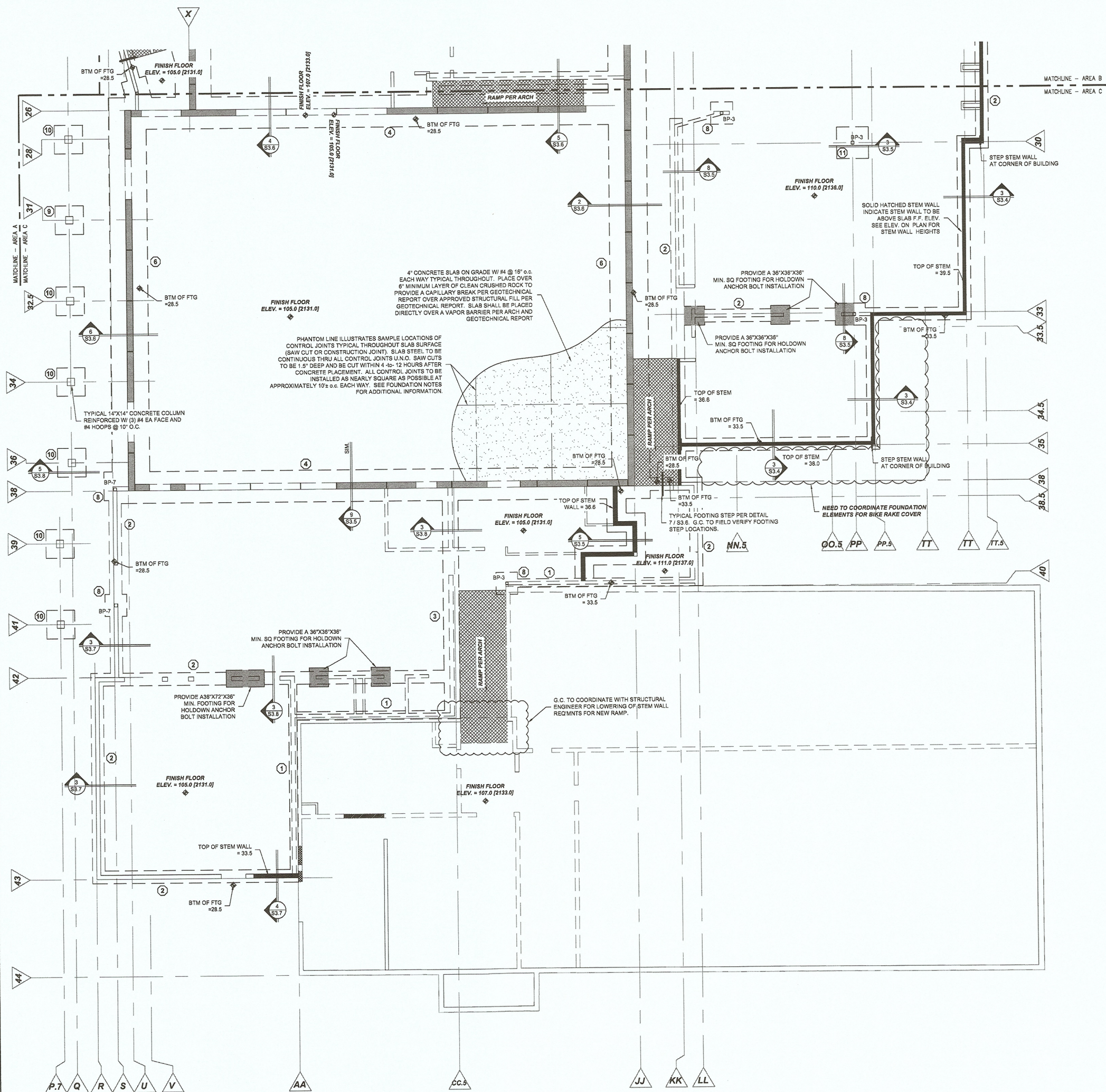


PARTIAL FOUNDATION PLAN - AREA B
 NORTH
 SCALE: 1/8" = 1'-0"

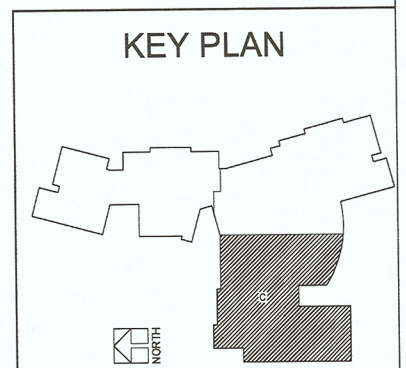
K:\New File Structural\Projects\2007\74-07105-07_DLR Group Bell View Elementary\Structural Drawings\Structural Drawings\K-468-07_Structural Drawings\Format_C01.dwg
 Mar 10, 2008 10:09pm - Johnson

FOOTING SCHEDULE

FTG MARK	WIDTH	LENGTH	DEPTH	REINFORCEMENT
1	1'-4"	CONT	10"	(3) #5 x CONTINUOUS
2	2'-0"	CONT	12"	(4) #5 x CONTINUOUS
3	2'-6"	CONT	12"	(4) #5 x CONTINUOUS
4	5'-0"	CONT	18"	(5) #5 x CONTINUOUS & #5 @ 24" O.C. TRANSVERSE
5	5'-6"	CONT	18"	(5) #5 x CONTINUOUS & #5 @ 24" O.C. TRANSVERSE
6	6'-0"	CONT	18"	(7) #5 x CONTINUOUS & #5 @ 24" O.C. TRANSVERSE
7	3'-0"	3'-0"	10"	(4) #5 x 2'-6" E/W
8	3'-6"	3'-6"	10"	(4) #5 x 3'-0" E/W
9	4'-0"	4'-0"	10"	(5) #5 x 3'-6" E/W
10	4'-6"	4'-6"	10"	(5) #5 x 4'-0" E/W
11	5'-0"	5'-0"	10"	(6) #5 x 4'-6" E/W
12	6'-0"	6'-0"	14"	(7) #5 x 5'-6" E/W
13	6'-6"	6'-6"	14"	(7) #5 x 6'-0" E/W
14	7'-0"	7'-0"	14"	(8) #5 x 6'-6" E/W
15	9'-0"	9'-0"	18"	(10) #5 x 9'-6" E/W



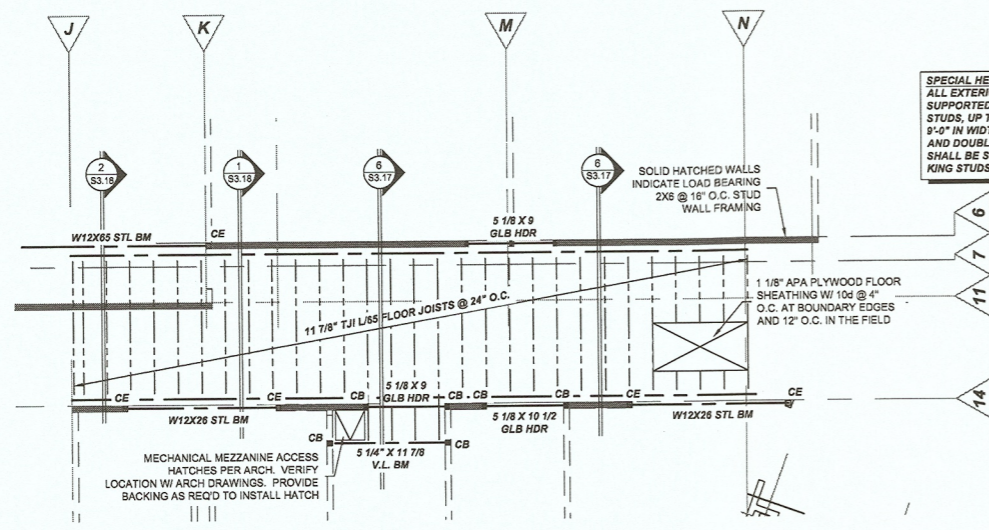
PARTIAL FOUNDATION PLAN - AREA C
 SCALE: 1/8" = 1'-0"
 NORTH



PARTIAL FOUNDATION PLAN
BELL VIEW ELEMENTARY

S1.3
 74-07/05-30
 03-10-08

K:\New File Structure\07\4-459-07.DLR\Group\BellviewElementary\Structural\Drawings\Structural Drawings\CD\04.dwg
 Mar 10, 2008 10:30pm - Johnson

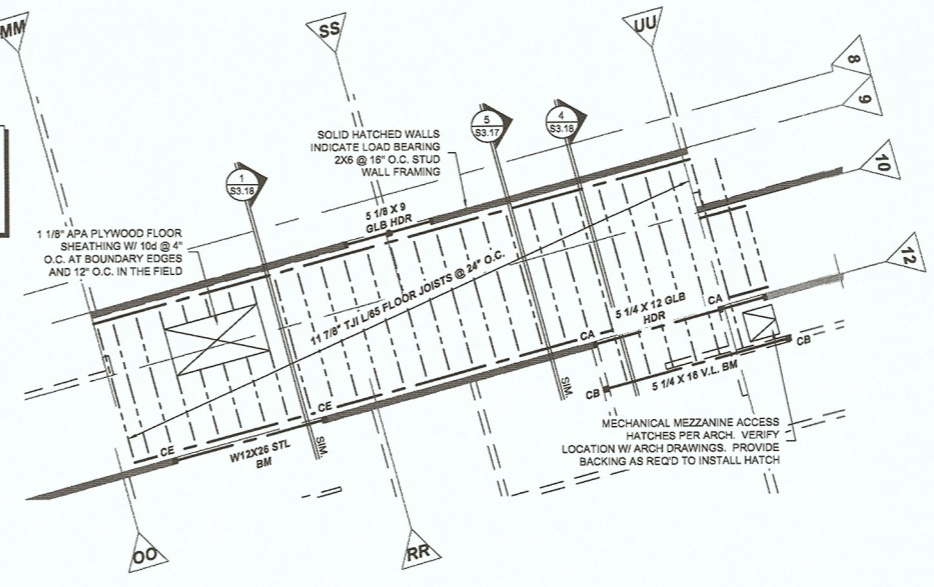


MECH. MEZZANINE FRAMING PLAN - ABOVE COOR. A109
 SCALE: 1/8" = 1'-0"
 NORTH

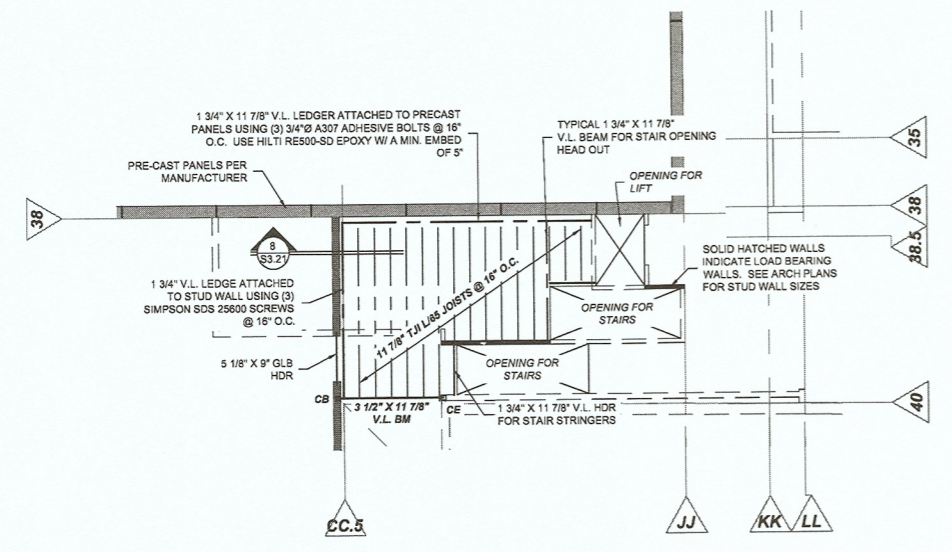
SPECIAL HEADER SUPPORT NOTES:
 ALL EXTERIOR AND INTERIOR HEADERS SHALL BE SUPPORTED WITH DOUBLE TRIMMER STUDS AND KING KING STUDS, UP TO 6'-0" IN WIDTH. HEADERS BETWEEN 6'-0" AND 9'-0" IN WIDTH SHALL BE SUPPORTED BY DOUBLE TRIMMERS AND DOUBLE KING STUDS. HEADERS OVER 9'-0" IN WIDTH SHALL BE SUPPORTED BY DOUBLE TRIMMERS AND TRIPLE KING STUDS. UNLESS NOTE OTHERWISE, U.N.O.

COLUMN SCHEDULE

COLUMN MARK	COLUMN SIZE
CA	(2) 2X6 DF-L #2
CB	(3) 2X6 DF-L #2
CC	6X6 DF-L #2
CD	HSS 3X4X3/8
CE	HSS 6X6X1/4
CF	HSS 6X6X1/4
CG	HSS 12X12X3/8



MECH. MEZZANINE FRAMING PLAN - ABOVE COOR. B125
 SCALE: 1/8" = 1'-0"
 NORTH

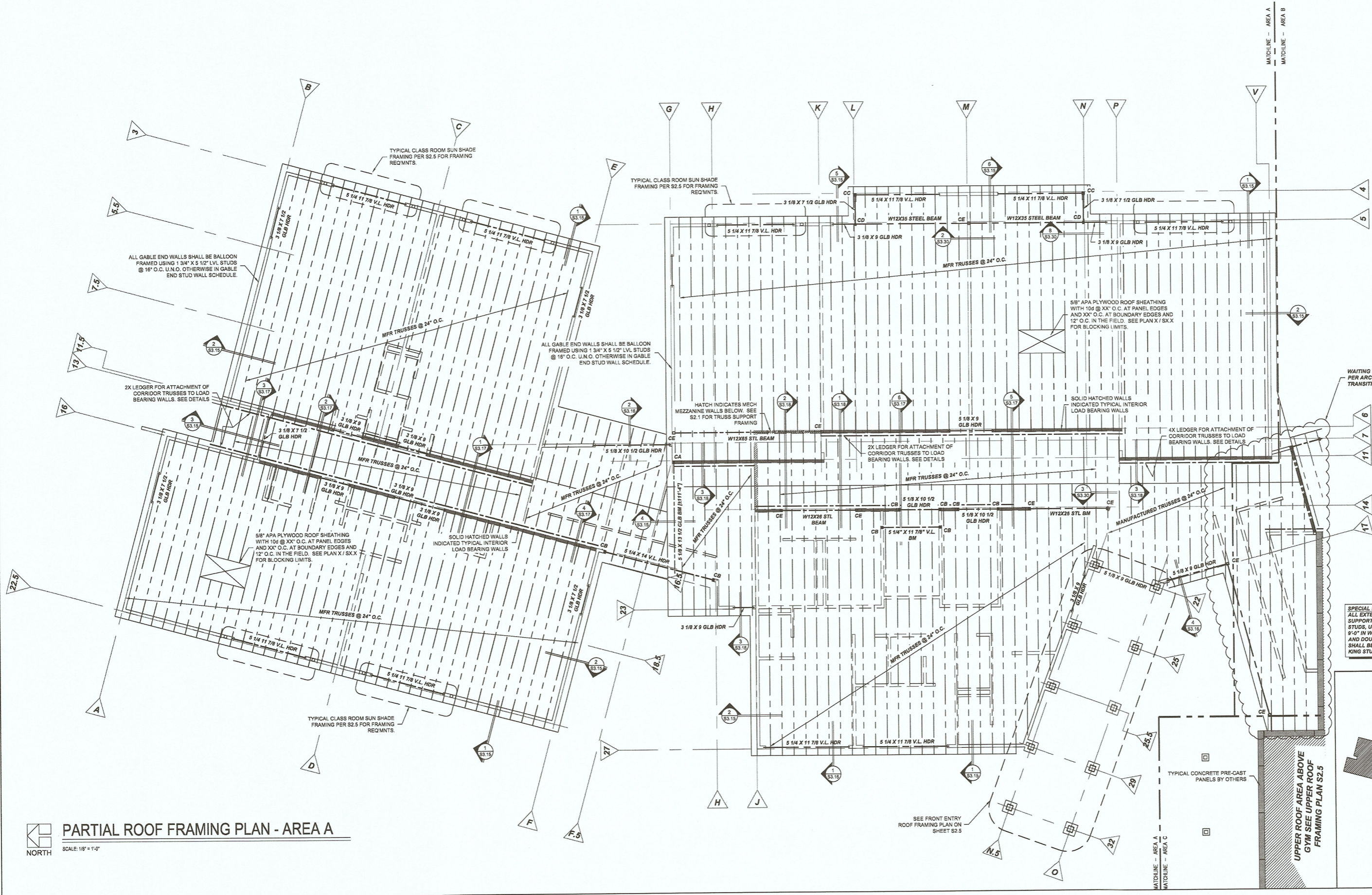


SECOND FLOOR FRAMING PLAN @ C213
 SCALE: 1/8" = 1'-0"
 NORTH

K:\New Files - Structural\Projects\2007\4-4159-07-DL Group BellviewElementary\Structural Drawings\4159-07-Structural Drawings (comment CD).dwg
 Mar 10, 2008 1:03pm - JoshHodan

MECH. MEZZANINE FRAMING PLANS
 BELLVIEW ELEMENTARY
 QA DRAWING SET

S2.1
 74-07105-30
 03-10-08



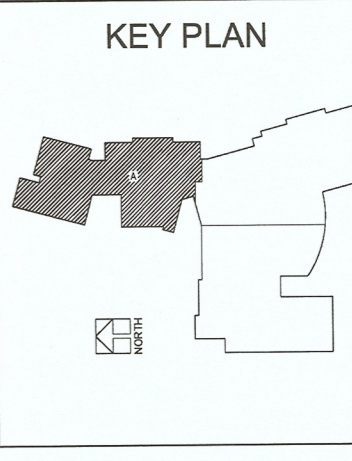
STUD WALL FRAMING SCHEDULE

STUD WALL FRAMING	MAX HEIGHT OF STUD WALL
2x8 DF-L @ 16" O.C.	13'-0"
2x8 DF-L @ 12" O.C.	15'-0"
1 1/2" x 4" LVL @ 16" O.C.	20'-0"
1 1/2" x 4" LVL @ 12" O.C.	23'-0"

COLUMN SCHEDULE

COLUMN MARK	COLUMN SIZE
CA	(2) 2X8 DF-L #2
CB	(3) 2X8 DF-L #2
CC	6X8 DF-L #2
CD	HSS 3X4X3/8
CE	HSS 5X5X1/4
CF	HSS 8X8X1/4
CG	HSS 12X12X5/8

SPECIAL HEADER SUPPORT NOTES:
 ALL EXTERIOR AND INTERIOR HEADERS SHALL BE SUPPORTED WITH DOUBLE TRIMMER STUDS AND KING STUDS, UP TO 6'-0" IN WIDTH. HEADERS BETWEEN 6'-0" AND 9'-0" IN WIDTH SHALL BE SUPPORTED BY DOUBLE TRIMMERS AND DOUBLE KING STUDS. HEADERS OVER 9'-0" IN WIDTH SHALL BE SUPPORTED BY DOUBLE TRIMMERS AND TRIPLE KING STUDS, UNLESS NOTE OTHERWISE, U.N.O.



PARTIAL ROOF FRAMING PLAN - AREA A
 SCALE: 1/8" = 1'-0"
 NORTH

K:\New File Structures\KF Projects\3007\K-4449-07 DLR\Group\BellviewElementary\StructuralDrawings\Structural Drawings\Comment C03.dwg
 Mar 10, 2008 12:39pm - jshindon