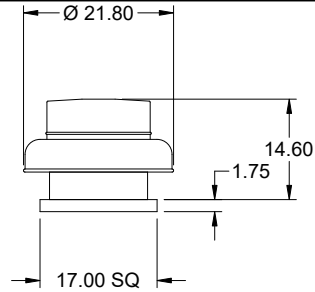


# Model: G-095-VG

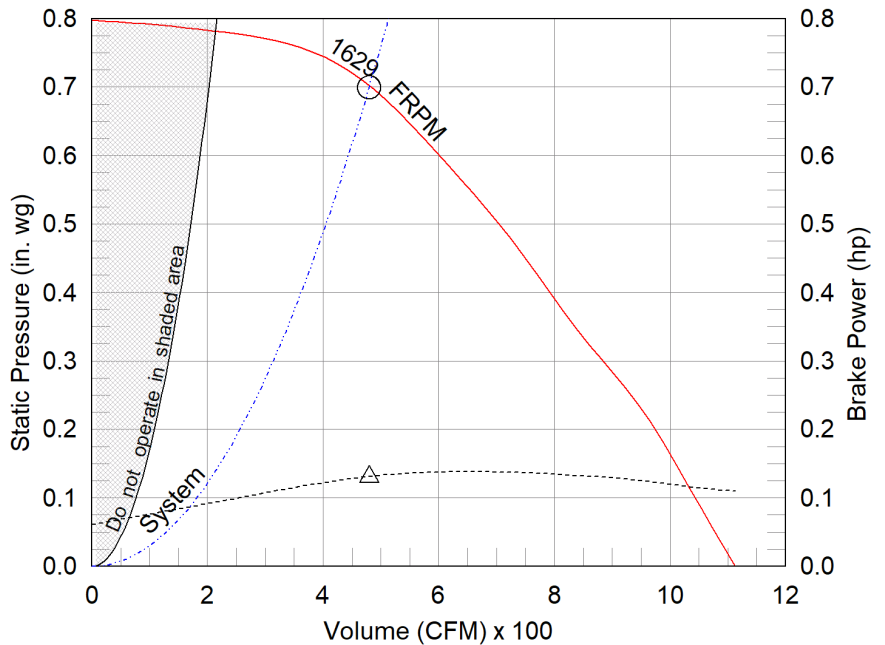
## Direct Drive Centrifugal Roof Exhaust Fan



OVERALL HEIGHT MAY BE GREATER DEPENDING ON MOTOR, ADAPTER, AND/OR HINGE BASE.

Dimensional	
Quantity	1
Weight w/o Acc's (lb)	27
Weight w/ Acc's (lb)	32
Standard Curb Cap Size (in.)	17 x 17
Roof Opening (in.)	12.5 x 12.5

Performance	
Requested Volume (CFM)	480
Actual Volume (CFM)	480
Total External SP (in. wg)	0.7
Fan RPM	1629
Operating Power (hp)	0.13
Elevation (ft)	203
Airstream Temp.(F)	70
Air Density (lb/ft3)	0.074
Tip Speed (ft/min)	4,637
Static Eff. (%)	40



- △ Operating Bhp point
- Operating point at Total External SP
- Fan curve
- - - System curve
- - - Brake horsepower curve

Motor	
Motor Mounted	Yes
Size (hp)	1/6
Voltage/Cycle/Phase	115/60/1
Enclosure	ODP
Motor RPM	1725
Efficiency Rating	High
Windings	1
FLA (Amps)	2.2

### Sound Power by Octave Band

Sound Data	62.5	125	250	500	1000	2000	4000	8000	LwA	dBA	Sones
Inlet	83	80	71	65	65	57	46	51	70	59	10.4

### Notes:

All dimensions shown are in units of in.  
 \*NEC FLA - based on tables 430.248 or 430.250 of National Electrical Code 2017. Actual motor FLA may vary, for sizing thermal overload, consult factory.  
 LwA - A weighted sound power level, based on ANSI S1.4  
 dBA - A weighted sound pressure level, based on 11.5 dB attenuation per Octave band at 5 ft - dBA levels are not licensed by AMCA International  
 Sones - calculated using ANSI/AMCA 301 at 5 ft



## Model: G-095-VG

### Direct Drive Centrifugal Roof Exhaust Fan

#### Standard Construction Features:

- Aluminum housing - Backward inclined composite (sizes 60-95) or aluminum (sizes 97-300) wheel - Aluminum curb cap with prepunched mounting holes - Birdscreen - Ball bearing motors (sizes 85-300 and all Vari Green), sleeve bearing motors (sizes 60-80) - Motor isolated on shock mounts - Corrosion resistant fasteners

#### Selected Options & Accessories:

Motor - Vari-Green EC motor  
Control - Dial for balancing  
Standard Curb Cap Size - 17 in. Square  
UL/cUL 705 Listed - "Power Ventilators"  
Switch, NEMA-1, Toggle, Shipped with Unit  
Junction Box Mounted & Wired  
Birdscreen: Galvanized, nom. 84% Free Area  
Composite Wheel Material  
Unit Warranty: 1 Yr (Standard)

## AMCA

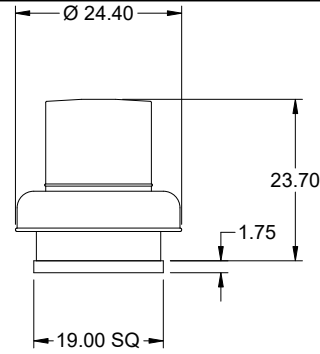


AMCA Licensed for Sound and Air Performance. Power rating (BHP/kW) does not include transmission losses.

Greenheck Fan Corporation certifies that the model shown herein is licensed to bear the AMCA Seal. The ratings shown are based on tests and procedures performed in accordance with AMCA Publication 211 and AMCA Publication 311 and comply with the requirements of the AMCA Certified Ratings Program. Performance certified is for installation type A: Free inlet, Free outlet. Power rating (BHP/kW) does not include transmission losses. Performance ratings include the effects of birdscreen. The sound ratings shown are loudness values in fan sones at 5 ft. (1.5 m) in a hemispherical free field calculated per ANSI/AMCA Standard 301. Values shown are for installation type A: free inlet hemispherical sone levels. dBA levels are not licensed by AMCA International. The AMCA Certified Ratings Seal applies to sone ratings only.

# Model: G-098-VG

## Direct Drive Centrifugal Roof Exhaust Fan

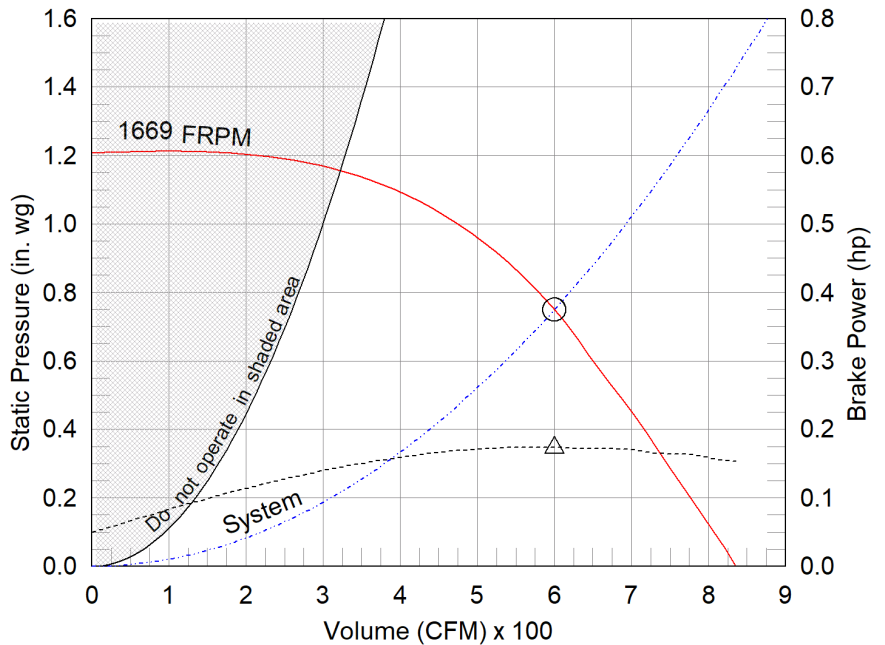


OVERALL HEIGHT MAY BE GREATER DEPENDING ON MOTOR, ADAPTER, AND/OR HINGE BASE.

Dimensional	
Quantity	1
Weight w/o Acc's (lb)	35
Weight w/ Acc's (lb)	40
Standard Curb Cap Size (in.)	19 x 19
Roof Opening (in.)	14.5 x 14.5

Performance	
Requested Volume (CFM)	600
Actual Volume (CFM)	600
Total External SP (in. wg)	0.75
Fan RPM	1669
Operating Power (hp)	0.17
Elevation (ft)	203
Airstream Temp.(F)	70
Air Density (lb/ft3)	0.074
Tip Speed (ft/min)	4,888
Static Eff. (%)	41

Motor	
Motor Mounted	Yes
Size (hp)	1/4
Voltage/Cycle/Phase	115/60/1
Enclosure	ODP
Motor RPM	1725
Efficiency Rating	High
Windings	1
FLA (Amps)	2.85



- △ Operating Bhp point
- Operating point at Total External SP
- Fan curve
- - - System curve
- - - Brake horsepower curve

### Sound Power by Octave Band

Sound Data	62.5	125	250	500	1000	2000	4000	8000	LwA	dBA	Sones
Inlet	78	77	76	68	64	60	54	51	71	60	10.4

### Notes:

All dimensions shown are in units of in.  
 \*NEC FLA - based on tables 430.248 or 430.250 of National Electrical Code 2017. Actual motor FLA may vary, for sizing thermal overload, consult factory.  
 LwA - A weighted sound power level, based on ANSI S1.4  
 dBA - A weighted sound pressure level, based on 11.5 dB attenuation per Octave band at 5 ft - dBA levels are not licensed by AMCA International  
 Sones - calculated using ANSI/AMCA 301 at 5 ft



---

## Model: G-098-VG

### Direct Drive Centrifugal Roof Exhaust Fan

#### Standard Construction Features:

- Aluminum housing - Backward inclined composite (sizes 60-95) or aluminum (sizes 97-300) wheel - Aluminum curb cap with prepunched mounting holes - Birdscreen - Ball bearing motors (sizes 85-300 and all Vari Green), sleeve bearing motors (sizes 60-80) - Motor isolated on shock mounts - Corrosion resistant fasteners

#### Selected Options & Accessories:

Motor - Vari-Green EC motor  
Control - Dial for balancing  
Standard Curb Cap Size - 19 in. Square  
UL/cUL 705 Listed - "Power Ventilators"  
Switch, NEMA-1, Toggle, Shipped with Unit  
Junction Box Mounted & Wired  
Birdscreen: Galvanized, nom. 84% Free Area  
Unit Warranty: 1 Yr (Standard)

## AMCA

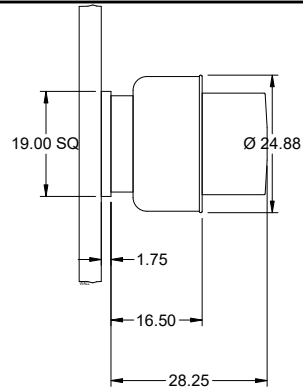


AMCA Licensed for Sound and Air Performance. Power rating (BHP/kW) does not include transmission losses.

Greenheck Fan Corporation certifies that the model shown herein is licensed to bear the AMCA Seal. The ratings shown are based on tests and procedures performed in accordance with AMCA Publication 211 and AMCA Publication 311 and comply with the requirements of the AMCA Certified Ratings Program. Performance certified is for installation type A: Free inlet, Free outlet. Power rating (BHP/kW) does not include transmission losses. Performance ratings include the effects of birdscreen. The sound ratings shown are loudness values in fan sones at 5 ft. (1.5 m) in a hemispherical free field calculated per ANSI/AMCA Standard 301. Values shown are for installation type A: free inlet hemispherical sone levels. dBA levels are not licensed by AMCA International. The AMCA Certified Ratings Seal applies to sone ratings only.

# Model: CUE-099-VG

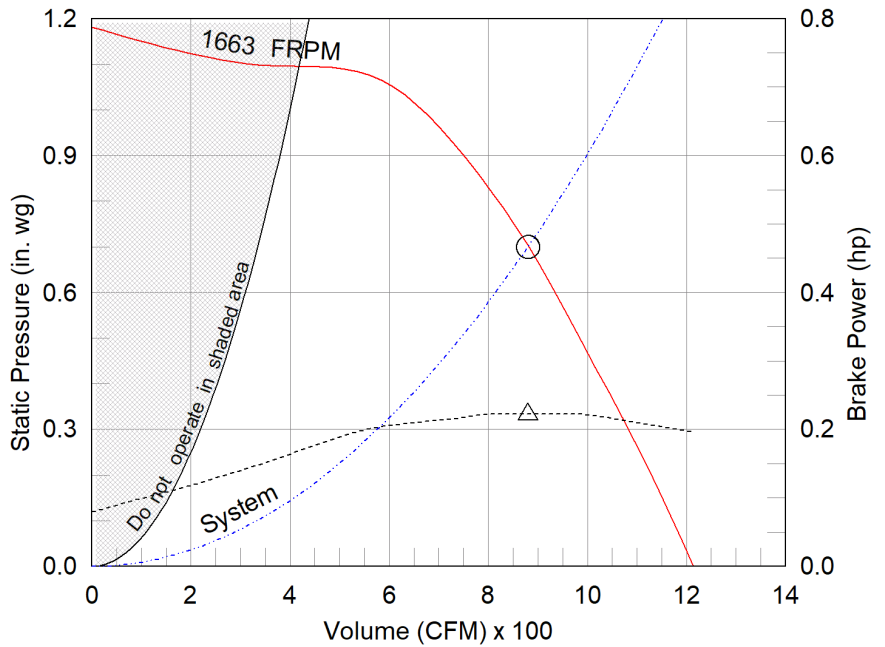
## Direct Drive Upblast Centrifugal Wall Exhaust Fan



Dimensional	
Quantity	1
Weight w/o Acc's (lb)	37
Weight w/ Acc's (lb)	47
Standard Curb Cap Size (in.)	19 x 19
Wall Opening (in.)	14.5 x 14.5

OVERALL HEIGHT MAY BE GREATER DEPENDING ON MOTOR, ADAPTER, AND/OR HINGE BASE.

Performance	
Requested Volume (CFM)	880
Actual Volume (CFM)	880
Total External SP (in. wg)	0.7
Fan RPM	1663
Operating Power (hp)	0.22
Elevation (ft)	203
Airstream Temp.(F)	70
Air Density (lb/ft3)	0.074
Tip Speed (ft/min)	4,870
Static Eff. (%)	44



- △ Operating Bhp point
- Operating point at Total External SP
- Fan curve
- - - System curve
- - - Brake horsepower curve

Motor	
Motor Mounted	Yes
Size (hp)	1/4
Voltage/Cycle/Phase	115/60/1
Enclosure	ODP
Motor RPM	1725
Efficiency Rating	High
Windings	1
FLA (Amps)	2.85

### Sound Power by Octave Band

Sound Data	62.5	125	250	500	1000	2000	4000	8000	LwA	dBA	Sones
Inlet	74	72	75	71	65	64	59	51	73	61	10.6

### Notes:

All dimensions shown are in units of in.  
 \*NEC FLA - based on tables 430.248 or 430.250 of National Electrical Code 2017. Actual motor FLA may vary, for sizing thermal overload, consult factory.  
 LwA - A weighted sound power level, based on ANSI S1.4  
 dBA - A weighted sound pressure level, based on 11.5 dB attenuation per Octave band at 5 ft - dBA levels are not licensed by AMCA International  
 Sones - calculated using ANSI/AMCA 301 at 5 ft



## Model: CUE-099-VG

### Direct Drive Upblast Centrifugal Wall Exhaust Fan

#### Standard Construction Features:

- Aluminum housing - Backward inclined aluminum wheel - Aluminum curb cap with prepunched mounting holes - Drain trough - Ball bearing motors (sizes 85-300 and all Vari Green), sleeve bearing motors (sizes 60-80) - Motor isolated on shock mounts - Corrosion resistant fasteners

#### Selected Options & Accessories:

Motor - Vari-Green EC motor

Control - Vari-Green Constant Pressure, Integral Transducer, Duct Tap Qty 1

Control - Dial for balancing

Control - Vari-Green Transformer 85-277VAC to 24 VDC, Mounted & Wired

Standard Curb Cap Size - 19 in. Square

Sidewall Mounting - Fan Configured for Wall-Mounted Applications

Wall Bracket will be Mounted to the Wall

UL/cUL 705 Listed - "Power Ventilators"

Switch, NEMA-1, Toggle, Shipped with Unit

Junction Box Mounted & Wired

Wall Bracket - Galvanized, Under Sized 0.5 in. (Shipped Loose) (PN 916647)

Unit Warranty: 1 Yr (Standard)



## AMCA



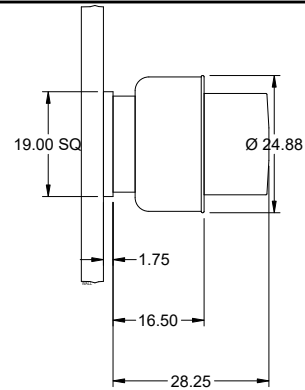
AMCA Licensed for Sound and Air Performance. Power rating (BHP/kW) does not include transmission losses.

Greenheck Fan Corporation certifies that the model shown herein is licensed to bear the AMCA Seal. The ratings shown are based on tests and procedures performed in accordance with AMCA Publication 211 and AMCA Publication 311 and comply with the requirements of the AMCA Certified Ratings Program. Performance certified is for installation type A: Free inlet, Free outlet. Power rating (BHP/kW) does not include transmission losses. Performance ratings do not include the effects of appurtenances (accessories). The sound ratings shown are loudness values in fan sones at 5 ft. (1.5 m) in a hemispherical free field calculated per ANSI/AMCA Standard 301. Values shown are for installation type A: free inlet hemispherical sone levels. dBA levels are not licensed by AMCA International. The AMCA Certified Ratings Seal applies to sone ratings only.

# Model: CUE-100-VG

Direct Drive Upblast Centrifugal Wall Exhaust Fan

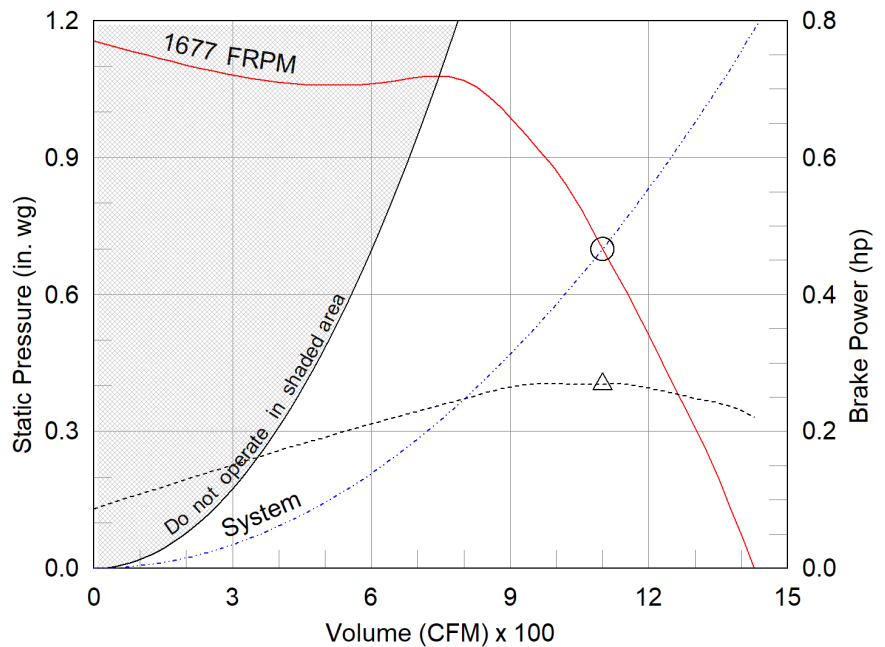
Previously: CUE-101-VG



OVERALL HEIGHT MAY BE GREATER DEPENDING ON MOTOR, ADAPTER, AND/OR HINGE BASE.

Dimensional	
Quantity	1
Weight w/o Acc's (lb)	45
Weight w/ Acc's (lb)	55
Standard Curb Cap Size (in.)	19 x 19
Wall Opening (in.)	14.5 x 14.5

Performance	
Requested Volume (CFM)	1,100
Actual Volume (CFM)	1,100
Total External SP (in. wg)	0.7
Fan RPM	1677
Operating Power (hp)	0.27
Elevation (ft)	203
Airstream Temp.(F)	70
Air Density (lb/ft3)	0.074
Tip Speed (ft/min)	4,884
Static Eff. (%)	45



Motor	
Motor Mounted	Yes
Size (hp)	1/4
Voltage/Cycle/Phase	115/60/1
Enclosure	ODP
Motor RPM	1725
Efficiency Rating	High
Windings	1
FLA (Amps)	3.5

## Sound Power by Octave Band

Sound Data	62.5	125	250	500	1000	2000	4000	8000	LwA	dBA	Sones
Inlet	72	72	76	69	62	63	58	53	72	61	10.6

## Notes:

All dimensions shown are in units of in.  
 \*NEC FLA - based on tables 430.248 or 430.250 of National Electrical Code 2017. Actual motor FLA may vary, for sizing thermal overload, consult factory.  
 LwA - A weighted sound power level, based on ANSI S1.4  
 dBA - A weighted sound pressure level, based on 11.5 dB attenuation per Octave band at 5 ft - dBA levels are not licensed by AMCA International  
 Sones - calculated using ANSI/AMCA 301 at 5 ft



## Model: CUE-100-VG

### Direct Drive Upblast Centrifugal Wall Exhaust Fan

#### Standard Construction Features:

- Aluminum housing - Backward inclined aluminum wheel - Aluminum curb cap with prepunched mounting holes - Drain trough - Ball bearing motors (sizes 85-300 and all Vari Green), sleeve bearing motors (sizes 60-80) - Motor isolated on shock mounts - Corrosion resistant fasteners

#### Selected Options & Accessories:

Motor - Vari-Green EC motor

Control - Vari-Green Constant Pressure, Integral Transducer, Duct Tap Qty 1

Control - Dial for balancing

Control - Vari-Green Transformer 85-277VAC to 24 VDC, Mounted & Wired

Standard Curb Cap Size - 19 in. Square

Sidewall Mounting - Fan Configured for Wall-Mounted Applications

Wall Bracket will be Mounted to the Wall

UL/cUL 705 Listed - "Power Ventilators"

Switch, NEMA-1, Toggle, Shipped with Unit

Junction Box Mounted & Wired

Wall Bracket - Galvanized, Under Sized 0.5 in. (Shipped Loose) (PN 916647)

Unit Warranty: 1 Yr (Standard)

## AMCA

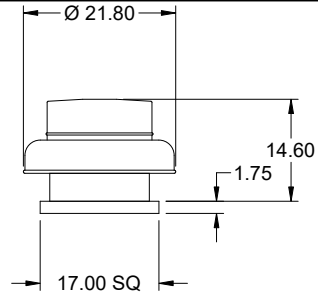


AMCA Licensed for Sound and Air Performance. Power rating (BHP/kW) does not include transmission losses.

Greenheck Fan Corporation certifies that the model shown herein is licensed to bear the AMCA Seal. The ratings shown are based on tests and procedures performed in accordance with AMCA Publication 211 and AMCA Publication 311 and comply with the requirements of the AMCA Certified Ratings Program. Performance certified is for installation type A: Free inlet, Free outlet. Power rating (BHP/kW) does not include transmission losses. Performance ratings do not include the effects of appurtenances (accessories). The sound ratings shown are loudness values in fan sones at 5 ft. (1.5 m) in a hemispherical free field calculated per ANSI/AMCA Standard 301. Values shown are for installation type A: free inlet hemispherical sone levels. dBA levels are not licensed by AMCA International. The AMCA Certified Ratings Seal applies to sone ratings only.

# Model: G-090-VG

## Direct Drive Centrifugal Roof Exhaust Fan

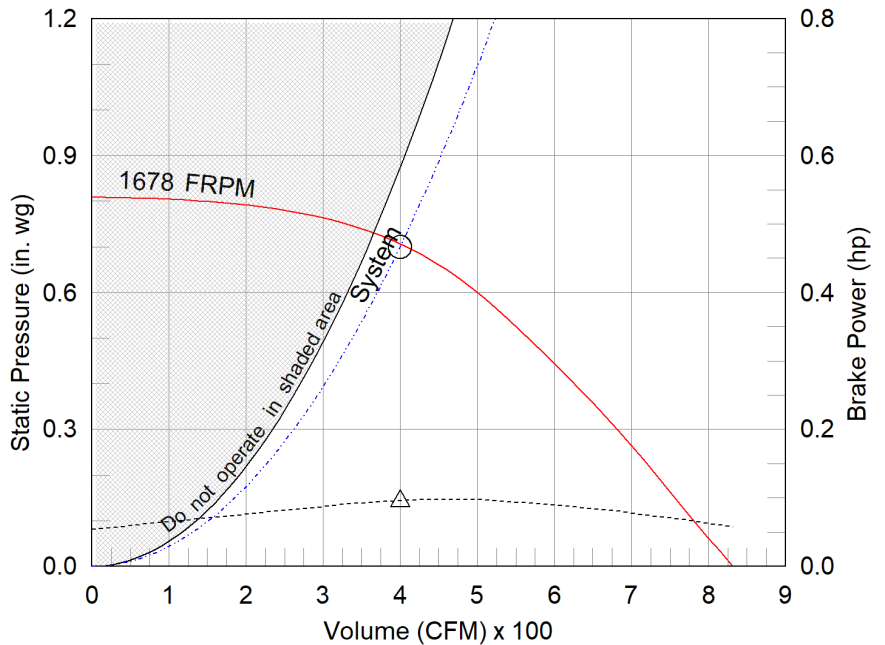


OVERALL HEIGHT MAY BE GREATER DEPENDING ON MOTOR, ADAPTER, AND/OR HINGE BASE.

Dimensional	
Quantity	1
Weight w/o Acc's (lb)	24
Weight w/ Acc's (lb)	29
Standard Curb Cap Size (in.)	17 x 17
Roof Opening (in.)	12.5 x 12.5

Performance	
Requested Volume (CFM)	400
Actual Volume (CFM)	400
Total External SP (in. wg)	0.7
Fan RPM	1678
Operating Power (hp)	0.09
Elevation (ft)	203
Airstream Temp.(F)	70
Air Density (lb/ft3)	0.074
Tip Speed (ft/min)	4,778
Static Eff. (%)	46

Motor	
Motor Mounted	Yes
Size (hp)	1/10
Voltage/Cycle/Phase	115/60/1
Enclosure	ODP
Motor RPM	1725
Efficiency Rating	High
Windings	1
FLA (Amps)	1.38



- △ Operating Bhp point
- Operating point at Total External SP
- Fan curve
- - - System curve
- - - Brake horsepower curve

### Sound Power by Octave Band

Sound Data	62.5	125	250	500	1000	2000	4000	8000	LwA	dBA	Sones
Inlet	79	76	70	65	60	56	53	46	68	56	8.6

### Notes:

All dimensions shown are in units of in.  
 \*NEC FLA - based on tables 430.248 or 430.250 of National Electrical Code 2017. Actual motor FLA may vary, for sizing thermal overload, consult factory.  
 LwA - A weighted sound power level, based on ANSI S1.4  
 dBA - A weighted sound pressure level, based on 11.5 dB attenuation per Octave band at 5 ft - dBA levels are not licensed by AMCA International  
 Sones - calculated using ANSI/AMCA 301 at 5 ft



## Model: G-090-VG

### Direct Drive Centrifugal Roof Exhaust Fan

#### Standard Construction Features:

- Aluminum housing - Backward inclined composite (sizes 60-95) or aluminum (sizes 97-300) wheel - Aluminum curb cap with prepunched mounting holes - Birdscreen - Ball bearing motors (sizes 85-300 and all Vari Green), sleeve bearing motors (sizes 60-80) - Motor isolated on shock mounts - Corrosion resistant fasteners

#### Selected Options & Accessories:

Motor - Vari-Green EC motor  
Control - Dial for balancing  
Standard Curb Cap Size - 17 in. Square  
UL/cUL 705 Listed - "Power Ventilators"  
Switch, NEMA-1, Toggle, Shipped with Unit  
Junction Box Mounted & Wired  
Birdscreen: Galvanized, nom. 84% Free Area  
Composite Wheel Material  
Unit Warranty: 1 Yr (Standard)

## AMCA

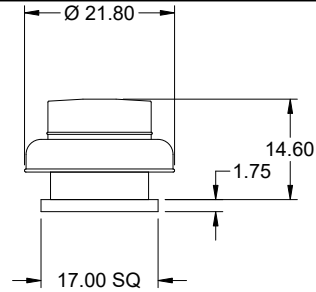


AMCA Licensed for Sound and Air Performance. Power rating (BHP/kW) does not include transmission losses.

Greenheck Fan Corporation certifies that the model shown herein is licensed to bear the AMCA Seal. The ratings shown are based on tests and procedures performed in accordance with AMCA Publication 211 and AMCA Publication 311 and comply with the requirements of the AMCA Certified Ratings Program. Performance certified is for installation type A: Free inlet, Free outlet. Power rating (BHP/kW) does not include transmission losses. Performance ratings include the effects of birdscreen. The sound ratings shown are loudness values in fan sones at 5 ft. (1.5 m) in a hemispherical free field calculated per ANSI/AMCA Standard 301. Values shown are for installation type A: free inlet hemispherical sone levels. dBA levels are not licensed by AMCA International. The AMCA Certified Ratings Seal applies to sone ratings only.

# Model: G-095-VG

## Direct Drive Centrifugal Roof Exhaust Fan

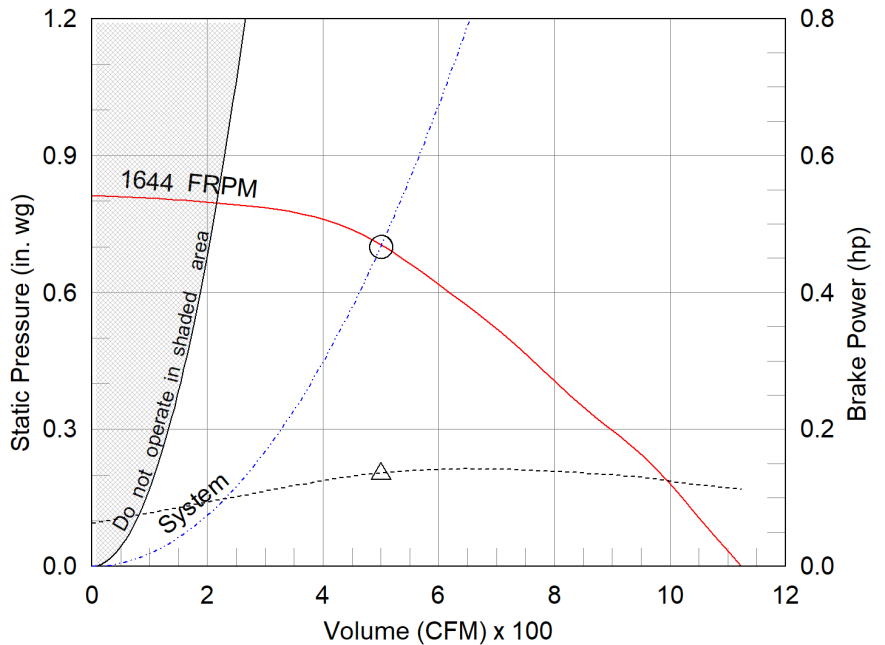


OVERALL HEIGHT MAY BE GREATER DEPENDING ON MOTOR, ADAPTER, AND/OR HINGE BASE.

Dimensional	
Quantity	1
Weight w/o Acc's (lb)	27
Weight w/ Acc's (lb)	32
Standard Curb Cap Size (in.)	17 x 17
Roof Opening (in.)	12.5 x 12.5

Performance	
Requested Volume (CFM)	500
Actual Volume (CFM)	500
Total External SP (in. wg)	0.7
Fan RPM	1644
Operating Power (hp)	0.14
Elevation (ft)	203
Airstream Temp.(F)	70
Air Density (lb/ft3)	0.074
Tip Speed (ft/min)	4,680
Static Eff. (%)	41

Motor	
Motor Mounted	Yes
Size (hp)	1/6
Voltage/Cycle/Phase	115/60/1
Enclosure	ODP
Motor RPM	1725
Efficiency Rating	High
Windings	1
FLA (Amps)	2.2



- △ Operating Bhp point
- Operating point at Total External SP
- Fan curve
- - - System curve
- - - Brake horsepower curve

### Sound Power by Octave Band

Sound Data	62.5	125	250	500	1000	2000	4000	8000	LwA	dBA	Sones
Inlet	83	80	72	66	64	58	47	49	70	59	10.4

### Notes:

All dimensions shown are in units of in.  
 \*NEC FLA - based on tables 430.248 or 430.250 of National Electrical Code 2017. Actual motor FLA may vary, for sizing thermal overload, consult factory.  
 LwA - A weighted sound power level, based on ANSI S1.4  
 dBA - A weighted sound pressure level, based on 11.5 dB attenuation per Octave band at 5 ft - dBA levels are not licensed by AMCA International  
 Sones - calculated using ANSI/AMCA 301 at 5 ft





## Model: G-095-VG

### Direct Drive Centrifugal Roof Exhaust Fan

#### Standard Construction Features:

- Aluminum housing - Backward inclined composite (sizes 60-95) or aluminum (sizes 97-300) wheel - Aluminum curb cap with prepunched mounting holes - Birdscreen - Ball bearing motors (sizes 85-300 and all Vari Green), sleeve bearing motors (sizes 60-80) - Motor isolated on shock mounts - Corrosion resistant fasteners

#### Selected Options & Accessories:

Motor - Vari-Green EC motor  
Control - Dial for balancing  
Standard Curb Cap Size - 17 in. Square  
UL/cUL 705 Listed - "Power Ventilators"  
Switch, NEMA-1, Toggle, Shipped with Unit  
Junction Box Mounted & Wired  
Birdscreen: Galvanized, nom. 84% Free Area  
Composite Wheel Material  
Unit Warranty: 1 Yr (Standard)

## AMCA



AMCA Licensed for Sound and Air Performance. Power rating (BHP/kW) does not include transmission losses.

Greenheck Fan Corporation certifies that the model shown herein is licensed to bear the AMCA Seal. The ratings shown are based on tests and procedures performed in accordance with AMCA Publication 211 and AMCA Publication 311 and comply with the requirements of the AMCA Certified Ratings Program. Performance certified is for installation type A: Free inlet, Free outlet. Power rating (BHP/kW) does not include transmission losses. Performance ratings include the effects of birdscreen. The sound ratings shown are loudness values in fan sones at 5 ft. (1.5 m) in a hemispherical free field calculated per ANSI/AMCA Standard 301. Values shown are for installation type A: free inlet hemispherical sone levels. dBA levels are not licensed by AMCA International. The AMCA Certified Ratings Seal applies to sone ratings only.