





**"Your Green Heating & Cooling Professionals  
Dedicated to Serving Your and Your Community"**

## **Plumbing Submittals**

**Yakima Health Clinic  
9005 SE Foster Rd.  
Portland, OR 97266**

**General Contractor  
O'Neill / Walsh Community Builders  
2905 SW First Avenue  
Portland, OR 97201**

**Submitted By  
Andersen Mechanical  
16285 SW 85<sup>th</sup> Ave, Suite 410  
Tigard, OR 97224**

*Andersen Mechanical – 16285 SW 85<sup>th</sup> Ave, Suite 410 – Tigard, OR 97224 (503)992-6664  
WA License ANDERH1936QL : OR CCB 168214 : OR Plumbing License PB1464  
MBE Certification #8561*

22\_40\_00

Plumbing Fixtures



**CONSOLIDATED  
SUPPLY CO.**

PLUMBING • HEATING • WATER WORKS

**PLUMBING FIXTURE  
SUBMITTAL PACKAGE**

JOB NAME:

***YAKIMA VALLEY CLINIC***

BID #:

**S8268914**

PREPARED FOR:

***ANDERSEN MECHANICAL, INC.***

DATE:

***SEPTEMBER 15, 2017***

## YAKIMA VALLEY CLINIC

### Section

Manufacturer

Doc Name

---

### WC-1

AMERICAN STANDARD	3043.001 MADERA FLUSH VALVE TOILET
SLOAN	UPPERCUT DUAL FLUSH FLUSHOMETER, MODEL WES-111
BEMIS	BEMIS 1955SSCT-000 WHT PLASTIC ELONGATED OF SEAT LESS COVER W/ SELF-SUSTAINING STA-TITE CHECK HINGE
HERCULES	HERCULES 90-220 WAX GASKET WITH HORN 3" & 4" WASTES
PASCO SPECIALTY & MFG., INC.	PACKAGED BRASS BOLT SETS WITH NUTS & WASHERS, 100-30

### LV-1

AMERICAN STANDARD	DECORUM WALL-HUNG LAVATORY WITH EVERCLEAN VITREOUS CHINA, 9024.000EC-9024.908EC
SYMMONS INDUSTRIES	FAUCET W/HNDTCP HNDL
MCGUIRE MANUFACTURING	OPEN GRID P.O. PLUG, 155AECO
MCGUIRE MANUFACTURING	CAST BODY P-TRAP WITH OR WITHOUT CLEANOUT, 8872CBECO, C8872CECO, 8904CBECO 8912CBECO, C8912CECO, 8912CNCBECO, 8912C18BECO
MCGUIRE	LFST02LK CP ANGLE STOP
PASCO SPECIALTY & MFG., INC.	FLANGES-ESCUTCHEONS FOR STEEL, COPPER, PLASTIC PIPE
BRASS CRAFT	COPPER FAUCET RISER-ONE-PIECE WITH INSERT
TRUEBRO	TRUEBRO 82193 P-TRAP COVER

## Section

Manufacturer

Doc Name

---

### S-1

ELKAY/HALSEY TAYLOR	ELKAY LUSTERTONE STAINLESS STEEL 14-1/2" X 14-1/2" X 5-3/8" SINGLE BOWL UNDERMOUNT ADA SINK, MODEL(S) ELUHAD121255
CHICAGO FAUCET	MECHANICAL SINK FAUCETS, 786-E3ABCP
ELKAY/HALSEY TAYLOR	SINK ACCESSORIES DRAIN FITTING, MODELS LK18, LK18B, LKVR18, LKVR18B AND LK372
MCGUIRE MANUFACTURING	CAST BODY P-TRAP WITH OR WITHOUT CLEANOUT, 8872CBECO, C8872CECO, 8904CBECO 8912CBECO, C8912CECO, 8912CNCBECO, 8912C18BECO
MCGUIRE	LFST02LK CP ANGLE STOP
PASCO SPECIALTY & MFG., INC.	FLANGES-ESCUTCHEONS FOR STEEL, COPPER, PLASTIC PIPE
BRASS CRAFT	COPPER FAUCET RISER-ONE-PIECE WITH INSERT

### S-2

ELKAY/HALSEY TAYLOR	ELKAY LUSTERTONE STAINLESS STEEL 21-1/2" X 18-1/2" X 5-3/8" SINGLE BOWL UNDERMOUNT ADA SINK, MODEL(S) ELUHAD191655
CHICAGO FAUCET	MECHANICAL SINK FAUCETS, 786-E3ABCP
BRADLEY	SWING-DOWN EYE AND EYE/FACE WASH UNITS, S19-270HD, S19-270HW, S19-270JD, S19-270JW
BRADLEY	EMERGENCY FIXTURE THERMOSTATIC MIXING VALVES, S19-2000
ELKAY/HALSEY TAYLOR	SINK ACCESSORIES DRAIN FITTING, MODELS LK18, LK18B, LKVR18, LKVR18B AND LK372
MCGUIRE MANUFACTURING	CAST BODY P-TRAP WITH OR WITHOUT CLEANOUT, 8872CBECO, C8872CECO, 8904CBECO 8912CBECO, C8912CECO, 8912CNCBECO, 8912C18BECO
MCGUIRE	LFST02LK CP ANGLE STOP

## Section

Manufacturer

Doc Name

---

### S-2

PASCO SPECIALTY & MFG., INC.	FLANGES-ESCUTCHEONS FOR STEEL, COPPER, PLASTIC PIPE
BRASS CRAFT	COPPER FAUCET RISER-ONE-PIECE WITH INSERT

### S-3

ELKAY/HALSEY TAYLOR	ELKAY LUSTERTONE STAINLESS STEEL 21-1/2" X 18-1/2" X 5-3/8" SINGLE BOWL UNDERMOUNT ADA SINK, MODEL(S) ELUHAD191655
MOEN	7585C METHOD ONE HANDLE PULL-OUT FAUCET
INSINKERATOR	ISE CONTRACTOR-333 3/4 HP DISPOSER
MCGUIRE MANUFACTURING	CAST BODY P-TRAP WITH OR WITHOUT CLEANOUT, 8872CBECO, C8872CECO, 8904CBECO 8912CBECO, C8912CECO, 8912CNCBECO, 8912C18BECO
MCGUIRE	LFST02LK CP ANGLE STOP
PASCO SPECIALTY & MFG., INC.	FLANGES-ESCUTCHEONS FOR STEEL, COPPER, PLASTIC PIPE
BRASS CRAFT	COPPER FAUCET RISER-ONE-PIECE WITH INSERT

### S-4

ELKAY/HALSEY TAYLOR	ELKAY LUSTERTONE STAINLESS STEEL 31-3/4" X 16-1/2" X 5-3/8" EQUAL DOUBLE BOWL UNDERMOUNT ADA SINK, MODEL(S) ELUHAD321655
MOEN	7585C METHOD ONE HANDLE PULL-OUT FAUCET
INSINKERATOR	ISE CONTRACTOR-333 3/4 HP DISPOSER
ELKAY/HALSEY TAYLOR	SINK ACCESSORIES DRAIN FITTING, MODELS LK18, LK18B, LKVR18, LKVR18B AND LK372

## Section

Manufacturer

Doc Name

---

### S-4

DEARBORN BRASS	BRASS TUBULAR 1-1/2" CENTER TO END DISPOSER KITS
MCGUIRE MANUFACTURING	CAST BODY P-TRAP WITH OR WITHOUT CLEANOUT, 8872CBECO, C8872CECO, 8904CBECO 8912CBECO, C8912CECO, 8912CNCBECO, 8912C18BECO
MCGUIRE	LFST02LK CP ANGLE STOP
PASCO SPECIALTY & MFG., INC.	FLANGES-ESCUTCHEONS FOR STEEL, COPPER, PLASTIC PIPE
BRASS CRAFT	COPPER FAUCET RISER-ONE-PIECE WITH INSERT

### EWH-1

BRADFORD WHITE	LE280T3 80 GAL COMMERCIAL ELECTRIC WATER HEATER
BRASS CRAFT	7/8" OD COPPER WATER HEATER CONNECTORS-FEMALE IRON PIPE X FEMALE IRON PIPE, WB00/WB10
HOLDRITE	HOLDRITE QS-50-P
EZ-FLO	60094 30" ROUND ALUMINUM WATER HEATER PAN W/SIDE DRAIN

### ET-1

AMTROL	THERMAL EXPANSION TANK T-5 T-8 T-12
HOLDRITE	QS-12 QUICK STRAP



# YAKIMA VALLEY CLINIC

WC-1

---

*American Standard*

Style That Works Better

 BARRIER FREE

**MADERA™ FloWise® RIGHT HEIGHT™  
ELONGATED FLUSH VALVE TOILET**  
VITREOUS CHINA LESS EVERCLEAN®

**MADERA™ FloWise® RIGHT HEIGHT ELONGATED  
FLUSH VALVE TOILET LESS EVERCLEAN®**

- Flush valve toilet
- Vitreous china
- Conventional glaze
- Meets definition for HET (High Efficiency Toilet)
- High Efficiency (4.8 Lpf/1.28 gpf)
- Will also function at 1.1gpf and 1.6gpf with a properly set dual flush valve
- 10" or 12" roughing-in
- 16-1/2" to 17" rim height
- Elongated bowl
- Direct-fed siphon jet action
- Fully glazed 2-1/8" trapway
- 10" x 12" water surface area
- 1-1/2" top spud
- 2 bolt caps
- 100% factory flush tested

- 3043.001** Elongated Universal bowl only, top spud
- 3248.001** Elongated Universal bowl only, top spud with slotted rim for bedpan holding (White Only)
- 3249.001** Elongated Universal bowl only, back spud (White Only)

**Component Parts:**

- 047007-0070A** Inlet spud (furnished with bowl)
- 481310-100** Bolt caps with retainers (furnished with bowl)

**Nominal Dimensions:**

718 x 356 x 419mm (28-1/4" x 14" x 16-1/2")

Recommended working pressure – between 25 psi at valve when flushing and 80 psi static

Fixture only, seat and flush valve by others

**Compliance Certifications -**

**Meets or Exceeds the Following Specifications:**

- ASME A112.19.2-2008 / CSA B45.1-08 for Vitreous China Fixtures



SEE REVERSE FOR ROUGHING-IN DIMENSIONS

**To Be Specified:**

- Color:  White  Bone
- Seat: 5901.100 American Standard Seat
- 5901.110 American Standard Seat with EverClean®
- Alternate Seat: 5905.100 Heavy Duty American Standard Seat
- 5905.110 Heavy Duty American Standard Seat with EverClean
- Flush Valve:
  - American Standard Selectronic™ #6065.121.002 DC Power (Top Spud)
  - American Standard Selectronic™ #6065.221.007 DC Power (Back Spud)
  - American Standard Selectronic™ #6067.221.007 AC Power (Back Spud)
  - American Standard Selectronic™ #6068.221.007 Multi AC Power (Back Spud)



MEETS THE AMERICANS WITH DISABILITIES ACT GUIDELINES AND ANSI A117.1 REQUIREMENTS FOR ACCESSIBLE AND USABLE BUILDING FACILITIES - CHECK LOCAL CODES.



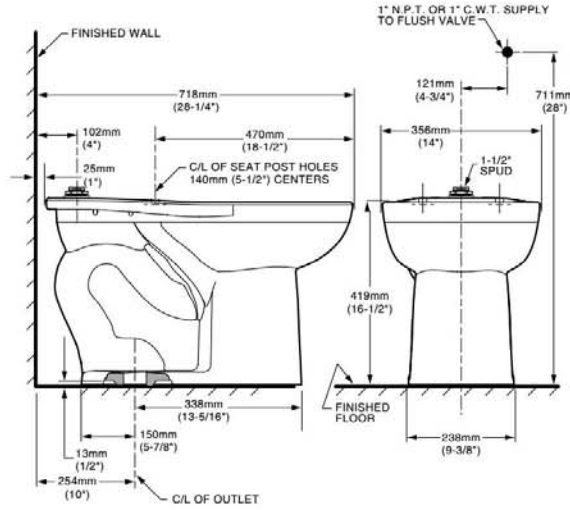
*American Standard*

Style That Works Better

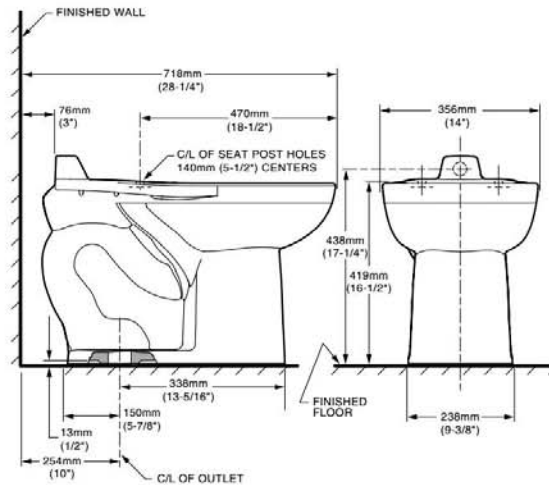
 BARRIER FREE

**MADERA™ FloWise® RIGHT HEIGHT™  
ELONGATED FLUSH VALVE TOILET**  
VITREOUS CHINA LESS EVERCLEAN®

**3043.001/3248.001**



**3249.001**



**NOTES:**  
 PRODUCT 3043.001 AND 3249.001 SHOWN, 3248.001 SAME AS EXCEPT WITH SLOTTED RIM FOR BED PAN HOLDING.  
 TO COMPLY WITH AREA CODE GOVERNING THE HEIGHT OF VACUUM BREAKER ON THE FLUSHOMETER VALVE, THE PLUMBER MUST VERIFY DIMENSIONS SHOWN FOR SUPPLY ROUGHING.  
 THIS TOILET DESIGNED TO ROUGH-IN AT A MINIMUM DIMENSION OF 254MM (10") AND A MAXIMUM DIMENSION OF 305MM (12") FROM FINISHED WALL TO C/L OF OUTLET.  
 FLUSHOMETER VALVE NOT INCLUDED WITH FIXTURE AND MUST BE ORDERED SEPARATELY. FLUSHOMETER VALVE REQUIREMENTS FOR 12" (305MM) ROUGH-IN: SWEAT EXTENSION NIPPLE IS REQUIRED. REFER TO VALVE MANUFACTURER AND LOCAL CODES.

**IMPORTANT:** Dimensions of fixtures are nominal and may vary within the range of tolerances established by ANSI Standard A112.19.2. These measurements are subject to change or cancellation. No responsibility is assumed for use of superseded or voided pages.

Submitted in lieu of  
non-ADA compliant WES-113

**UPPERCUT®**

*The Fastest Way to Start  
Saving Water!*

**HET**  
HIGH EFFICIENCY TOILET



**Dual-Flush  
Flushometer**

**WES-111**

**Description**

Exposed Water Closet Flushometer with Dual Flush Feature, for floor mounted or wall hung top spud bowls.

**Flush Cycle**

WES-111 High Efficiency (Down 1.6 gpf/6.0 Lpf, Up 1.1 gpf/4.2 Lpf)

**Specifications**

Dual Flush, Quiet, Exposed, Diaphragm Type, Chrome Plated Closet Flushometer with the following features:

- Lifting Handle UP initiates reduced flush (1.1 gpf/4.2 Lpf), eliminating liquid and paper waste, saving a ½-gallon of water
- Pushing Handle DOWN initiates full flush (1.6 gpf/6.0 Lpf), eliminating all waste
- Reduces water volume by up to 30% when activated UPWARDS
- Antimicrobial Coating protects handle\*
- PERMEX® Synthetic Rubber Diaphragm with Dual Filtered Fixed Bypass
- Distinctive Green ADA Compliant Metal Non-Hold-Open Handle with Triple Seal Handle Packing signifies Water Conserving Device
- 1" I.P.S. Screwdriver Bak-Chek® Angle Stop with Free Spinning Vandal Resistant Stop Cap
- Adjustable Tailpiece
- High Back pressure vacuum breaker flush connection w/ one-piece bottom hex coupling nut
- Spud Coupling and Flange for 1½" Top Spud
- Sweat Solder Adapter with Cover Tube and Cast Set Screw Wall Flange
- High Copper, Low Zinc Brass Castings for Dezincification Resistance
- Non-Hold-Open Handle, Fixed Metering Bypass and No External Volume Adjustment to Ensure Water Conservation
- Flush Accuracy Controlled by CID Technology
- Diaphragm, Handle Packing, Stop Seat and Vacuum Breaker molded from PERMEX® Rubber Compound for Chloramine Resistance
- Includes two (2) adhesive backed Metal Wall Plates etched with Instructions

Valve Body, Cover, Tailpiece and Control Stop shall be in conformance with ASTM Alloy Classification for Semi-Red Brass. Valve shall be in compliance to the applicable sections of ASSE 1037.

\* Antimicrobial coating does not protect users or others against disease-causing bacteria

**Variations**

- TP** Trap Primer
- YG** Extended Bumper on Angle Stop (for seat with cover)
- YO** Bumper on Angle Stop (for open front seat without cover)

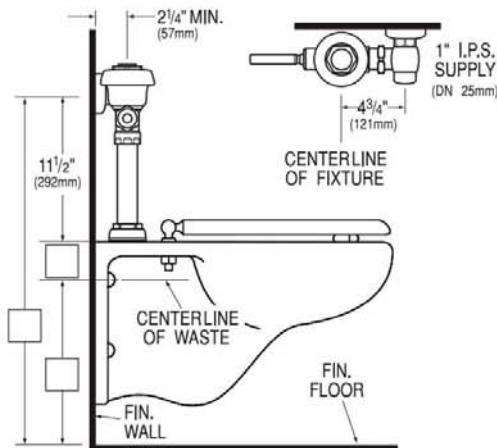
**Accessories**

See Accessories Section of the Sloan catalog for details on these and other Flushometer variations.

**Fixtures**

Consult Sloan for Sloan brand matching fixture options.

Manufactured in the U.S.A. by Sloan Valve Company under one or more of the following patents: 7,607,635; 8,033,522; 8,042,787. Other Pats. Pending.



Made In The  
**USA**



This space for Architect/Engineer approval

The information contained in this document is subject to change without notice.

**SLOAN®**

SLOAN • 10500 SEYMOUR AVENUE • FRANKLIN PARK, IL 60131  
Ph: 1-800-9-VALVE-9 • Fax: 1-800-447-8329 • www.sloanvalve.com

WES-111 04-14  
© 2014 SLOAN VALVE COMPANY



## COMMERCIAL HEAVY-DUTY PLASTIC TOILET SEAT



**MODEL #** **COLOR #**

**1955CT/1955SSCT**

**WHITE**

### DESCRIPTION :

Open front less cover, elongated, heavy-duty, injection molded solid plastic toilet seat. Features four molded-in bumpers, non self-sustaining (1955CT) or self-sustaining (1955SSCT) check hinges with non-corrosive 300 Series stainless steel posts and pintles and STA-TITE® Commercial Fastening System™. This seat complies with IAPMO/ANSI Z124.5-2013 Plastic Toilet Seats as a class Commercial Heavy Duty.

### SPECIFICATIONS :

Size: Elongated  
 Material: Plastic  
 Style: Open Front less Cover  
 Bumpers: Four  
 Hinges: Plastic Non Self-Sustaining (1955CT) or Self-Sustaining (1955SSCT) with 300 Series Stainless Steel Posts and Pintles  
 Fastening System: STA-TITE® Commercial Fastening System™

### FEATURES :

STA-TITE® Commercial Fastening System™  
 Non-Corrosive 300 Series Stainless Steel Posts and Pintles

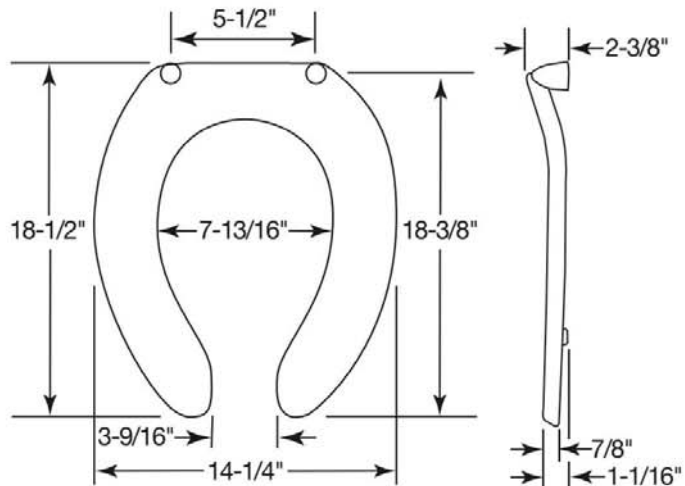


PLASTIC HINGES WITH STAINLESS STEEL POSTS AND PINTLES



STA-TITE® COMMERCIAL FASTENING SYSTEM™

### DIMENSIONS :



Proudly Made in the USA

Bemis Manufacturing Co., Sheboygan Falls, WI 53085  
[www.ToiletSeats.com](http://www.ToiletSeats.com)

Phone: 800-558-7651 Fax: 800-292-3647

# Bowl Setting Wax Gaskets and Bolts

Marketing Category #17

For generations, Hercules johni-rings® and johni-bolts® have set the standard for highest quality and best performing toilet-setting products. Johni-rings are cast at the factory, unmolded and immediately packaged in an exclusive fully-enclosed sealed "stick-free" package. Cleanly handled, easily installed, even on hot, humid days.



## Wax Gaskets

### johni-ring® – standard size

100% pure high-grade petroleum wax for installing closet bowls. Soft and flexible to conform to rough and uneven surfaces. Comes in all-weather non-stick package. Non-stainless, waterproof, impervious to vermin, odors, gases, and acid. Makes positive, permanent, sanitary closet bowl seal. Won't dry or deteriorate. Also available in combination packs with solid brass double nut closet bolts. Meets Fed. Spec. TT-P-1536A. MSDS #68.

Prod. No.	Size	Pack	Note	Bar Code
90210	for 3" or 4" lines	48	-	032628902107
90220	for 3" or 4" lines	24	with plastic horn	032628902206
90230	for 4" lines	24	with plastic horn	032628902305



### johni-ring® – jumbo

100% pure high-grade petroleum wax for installing closet bowls. A full 1/2" thicker than standard rings (40% more wax). Eliminates need to use (and is more reliable than) two standard bowl rings when there is a wide gap between flange and floor. Soft and flexible to conform to rough and uneven surfaces. Comes in all-weather non-stick package. Non-stainless, waterproof, impervious to vermin, odors, gases, and acid. Makes positive, permanent, sanitary closet bowl seal. Won't dry or deteriorate. Also available in combination packs with solid brass double nut closet bolts. Meets Fed. Spec. TT-P-1536A. MSDS #68.

Prod. No.	Size	Pack	Note	Bar Code
90243	for 3" or 4" waste lines	24	-	032628902435
90241	for 3" or 4" waste lines	24	with plastic horn	032628902411





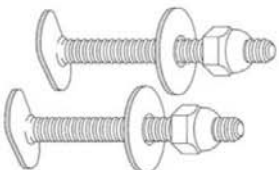
### Packaged BRASS Bolt Sets with Nuts & Washers

Brass bolts made in the U.S.A.

**PASCO** has cataloged the most popular bolt sets.

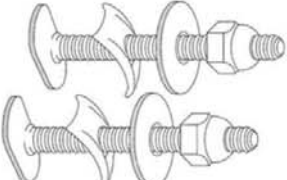
Each set comes with 2 brass bolts, 2 NP brass nuts and 2 plated steel washers.

Please contact us to package any set you require from other componets listed on the following pages.



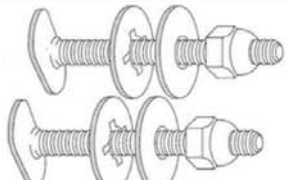
PART NUMBER	SIZE
100	1/4" x 2-1/4"
94	1/4" x 3-1/2"
82	5/16" x 2-1/4"

- With Steel Speed Nuts



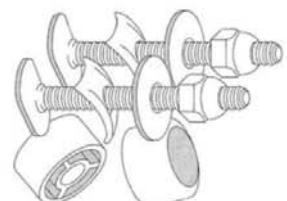
PART NUMBER	SIZE
102	1/4" x 2-1/4"
107	1/4" x 3-1/2"
59	5/16" x 2-1/4"

- With "Push On" Speed Washers



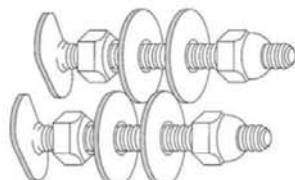
PART NUMBER	SIZE
102-SN	1/4" x 2-1/4"
107-SN	1/4" x 3-1/2"

- With Speed Nuts & Round Plastic Bolt Caps



PART NUMBER	SIZE
106	1/4" x 2-1/4"

- With Hex Speed Nuts



PART NUMBER	SIZE
28	1/4" x 2-1/4"
30	1/4" x 3-1/2"

# YAKIMA VALLEY CLINIC

LV-1

---



*American  
Standard*

 BARRIER FREE

**DECORUM®**  
**WALL-HUNG LAVATORY WITH EVERCLEAN®**  
VITREOUS CHINA

**DECORUM® WALL-HUNG LAVATORY  
WITH EVERCLEAN®**

- 20" x 18" vitreous china lavatory with EverClean included
- Available with rear overflow or less overflow
- Recessed self-draining deck with minimal backsplash
- For concealed arm or wall support (wall hanger included)
- ADA and TAS compliant
- Shown with Serin faucets (sold separately)
- Shown with drain grid (sold separately)

- 9024.000EC No faucet holes
- 9024.001EC Center hole only (CHO)
- 9024.021EC CHO with left hand soap dispenser
- 9024.011EC CHO with right hand soap dispenser
- 9024.901EC CHO less overflow
- 9024.921EC CHO with left hand soap dispenser less overflow
- 9024.911EC CHO with right hand soap dispenser less overflow
- 9024.004EC 4" centers
- 9024.024EC 4" centers with left hand soap dispenser
- 9024.014EC 4" centers with right hand soap dispenser
- 9024.904EC 4" centers less overflow
- 9024.924EC 4" centers with left hand soap dispenser less overflow
- 9024.914EC 4" centers with right hand soap dispenser less overflow
- 9024.008EC 8" centers
- 9024.908EC 8" centers less overflow

**Nominal Dimensions:**

464mm (18-1/4") deep, 508mm (20") wide

**Bowl sizes:**

354mm (13-15/16") wide, 325mm (12-13/16") front to back, 127mm (5") deep

**To Be Specified:**

- Color:  White
- Faucet\*:
- Faucet Finish:
- Supplies:
- 1-1/4" Trap:
- Suggested carriers include Jay R. Smith models 0801 and 0700

\* See faucet section for additional models available

**Compliance Certifications -**

**Meets or Exceeds the Following Specifications:**

- ASME A112.19.2 for Vitreous China Fixtures



9024.001EC shown with 2064 Series Serin Faucet



9024.000EC shown with R350 & T064 Series Serin Faucet

SEE NEXT PAGE FOR ROUGHING-IN DIMENSIONS

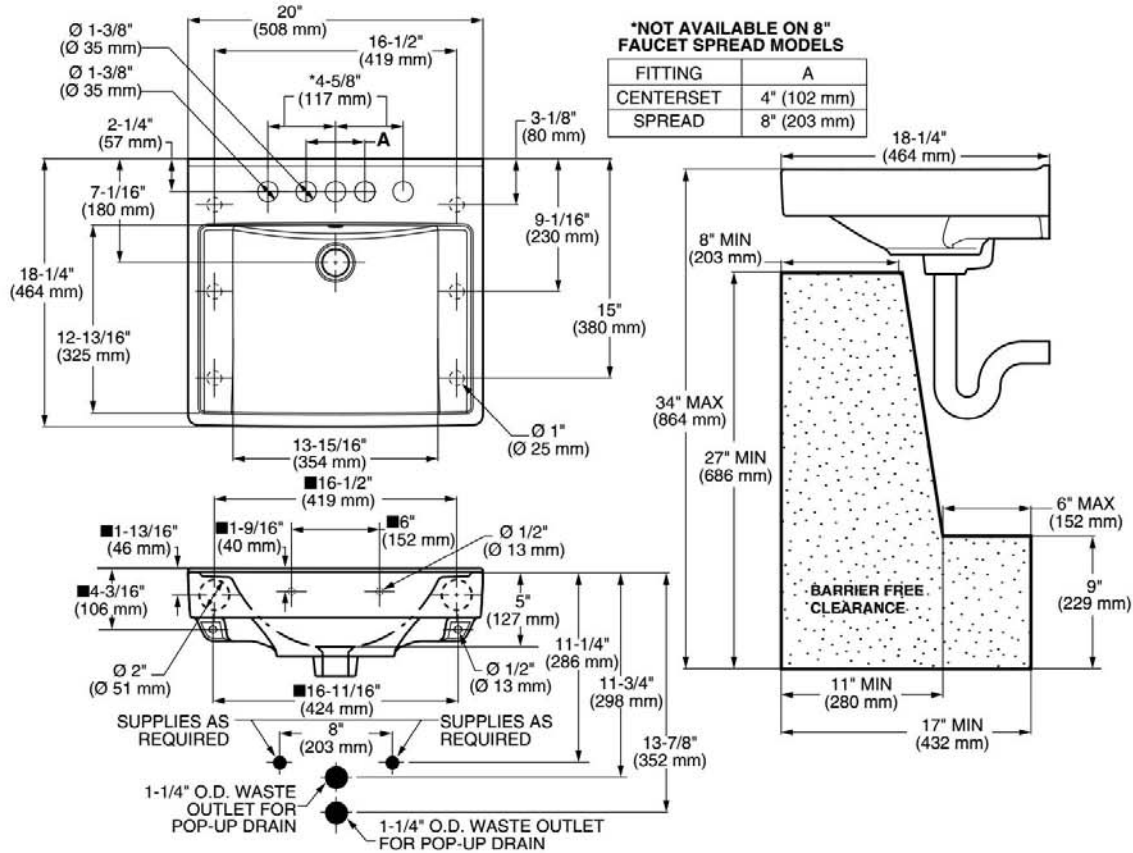


MEETS THE AMERICANS WITH DISABILITIES ACT GUIDELINES AND ANSI A117.1 ACCESSIBLE AND USABLE BUILDINGS AND FACILITIES - CHECK LOCAL CODES.  
Top of front rim mounted 864mm (34") from finished floor.



**DECORUM®**  
**WALL-HUNG LAVATORY WITH EVERCLEAN®**  
 VITREOUS CHINA

BARRIER FREE


















**NOTES:**  
 ● LOOSE KEY ANGLE STOPS, LESS WALL ESCUTCHEONS. SUPPLIES REQUIRED. DIMENSIONS SHOWN FOR LOCATION OF SUPPLIES AND "P" TRAP ARE SUGGESTED.  
 ■ SUITABLE FOR REINFORCEMENT ONLY. ACTUAL DIMENSIONS MUST BE TAKEN FROM FIXTURE.  
 FITTINGS NOT INCLUDED AND MUST BE ORDERED SEPARATELY.  
 PROVIDE SUITABLE REINFORCEMENT FOR ALL WALL SUPPORTS.  
 INSTALLATION INSTRUCTIONS SUPPLIED WITH LAVATORY.  
**IMPORTANT:** Dimensions of fixtures are nominal and may vary within the range of tolerances established by ANSI Standard A112.19.2. These measurements are subject to change or cancellation. No responsibility is assumed for use of superseded or voided pages.



BARRIER FREE

**DECORUM®**  
**WALL-HUNG LAVATORY WITH EVERCLEAN®**  
 VITREOUS CHINA

 <p><b>Model 9024.000EC</b> No Faucet Holes</p>	 <p><b>Model 9024.001EC</b> Center Hole Only (CHO)</p>	 <p><b>Model 9024.004EC</b> 4" Centers</p>
 <p><b>Model 9024.008EC</b> 8" Centers</p>	 <p><b>Model 9024.011EC</b> CHO With Right Hand Soap Dispenser</p>	 <p><b>Model 9024.014EC</b> 4" Centers With Right Hand Soap Dispenser</p>
 <p><b>Model 9024.021EC</b> CHO With Left Hand Soap Dispenser</p>	 <p><b>Model 9024.024EC</b> 4" Centers With Left Hand Soap Dispenser</p>	 <p><b>Model 9024.901EC</b> CHO Less Overflow</p>
 <p><b>Model 9024.904EC</b> 4" Centers Less Overflow</p>	 <p><b>Model 9024.908EC</b> 8" Centers Less Overflow</p>	 <p><b>Model 9024.911EC</b> CHO With Right Hand Soap Dispenser Less Overflow</p>
 <p><b>Model 9024.914EC</b> 4" Centers With Right Hand Soap Dispenser Less Overflow</p>	 <p><b>Model 9024.921EC</b> CHO With Left Hand Soap Dispenser Less Overflow</p>	 <p><b>Model 9024.924EC</b> 4" Centers With Left Hand Soap Dispenser Less Overflow</p>



# SCOT® S-60-H

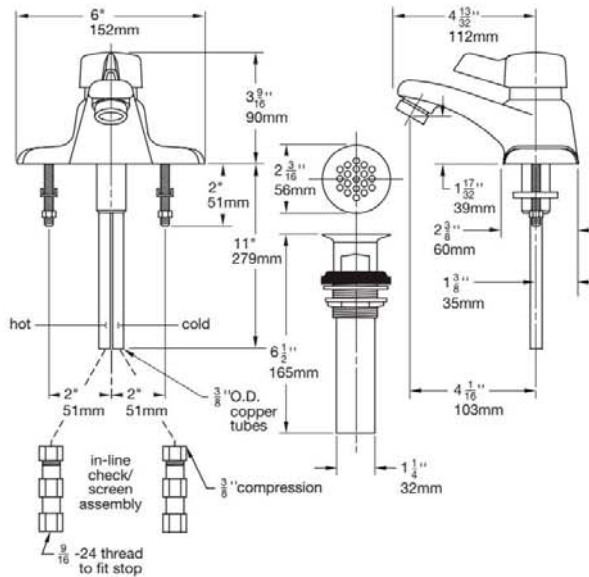
## Slow-Closing Omni Temperature Lavatory Faucet

SCOT metering/temperature selection lavatory faucet with blade type handle for handicap accessible applications (replaces S-60 knob style handle). Cast brass 4" centerset with temperature limit stop to adjust outlet temperature and time limit stop to adjust flow time, includes (2) in-line check/screen assemblies. Spray outlet with 0.5 gpm flow rate. Vandal resistant.

- S-60-H: Faucet only**
- S-60-G-H: With grid strainer drain assembly**
- S-60-I-H: With lift rod only**

**Modifications:** Add suffix to model number

- Suffix 1.25:** Vandal resistant aerator in place of 0.5 gpm spray outlet (1.25 GPM at 50 PSI)
- Suffix 0.35:** Vandal resistant aerator in place of 0.5 gpm spray outlet (0.35 GPM at 50 PSI)
- Suffix NA:** Non-aerated laminar flow outlet
- Suffix IPS:** 1/2" IPS connectors
- Suffix STE:** Supply tube extensions, 8" with compression couplings
- Suffix DP:** Adaptor plate for 8" center installations
- Suffix OFG:** Offset grid strainer



Symmons Industries, Inc. ■ 31 Brooks Drive ■ Braintree, MA 02184  
 (800) 796-6667 ■ Fax (800) 961-9621  
 Website: [www.symmons.com](http://www.symmons.com) ■ Email: [gethelp@symmons.com](mailto:gethelp@symmons.com)

© 2010-2014 Symmons Industries, Inc. Printed in U.S.A. ■ 062614



**SYMMONS PRODUCTS MEET  
 ASME A112.18.1; CSA B125.1  
 ANSI/NSF 372; ANSI/NSF 61.9  
 Metering Faucets 0.25 gallons  
 per cycle (1.0 L/cycle)**

**Job/Location**

.....  
 .....

**Engineer**

.....  
 .....

**Contractor**

.....  
 .....

For ADA compliance (Americans with Disabilities Act) consult ADAAG or your state regulations for proper product choice and mounting locations.





**McGuire Manufacturing Co., Inc.**  
 60 Grandview Court  
 P.O. Box 746 • Cheshire, CT 06410  
 203-699-1801 • Fax: 203-699-1813  
 www.mcguiremfg.com

**PRODUCT SPECIFICATION**

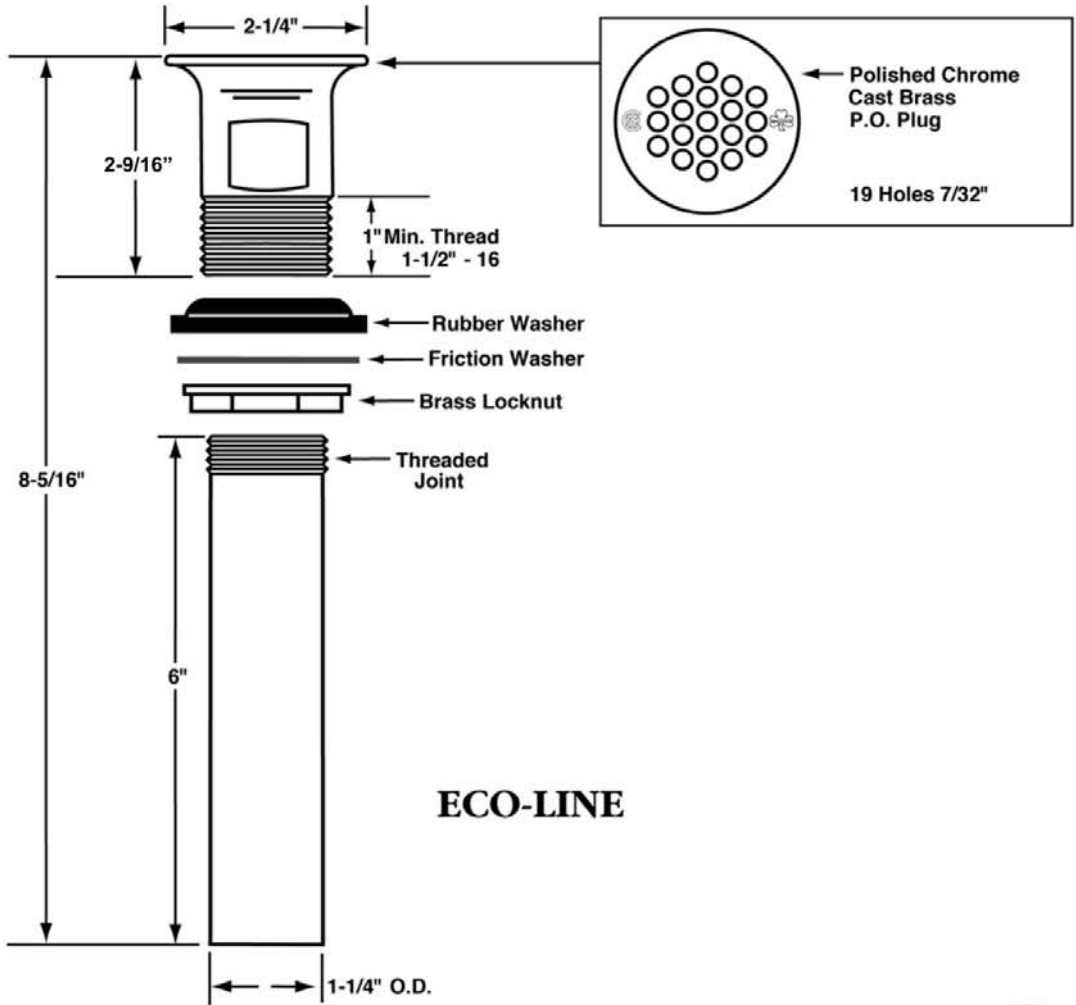
**Part No.**

**155AECO**

**Open Grid P.O. Plug**

**Job Name:**

**Submittal Number:**



ASME A112.18.1-2011/CSA B125.2-11

**Specifications:**

Cast Brass Chrome Plated Open Grid P.O. Plug with 17 gauge 1-1/4" x 6" seamless brass tailpiece, brass lock nut, heavy rubber basin washer and fiber friction washer. Drain shall be in compliance with CSA or other recognized testing authority and bear both manufacturer and testing mark.

© 2015 McGuire Manufacturing Co., Inc. All rights reserved / III Strainers and P.O. Plugs / www.mcguiremfg.com



**McGuire Manufacturing Co., Inc.**

60 Grandview Court  
 P.O. Box 746 • Cheshire, CT 06410  
 203-699-1801 • Fax: 203-699-1813  
 www.mcguiremfg.com

**PRODUCT SPECIFICATION**

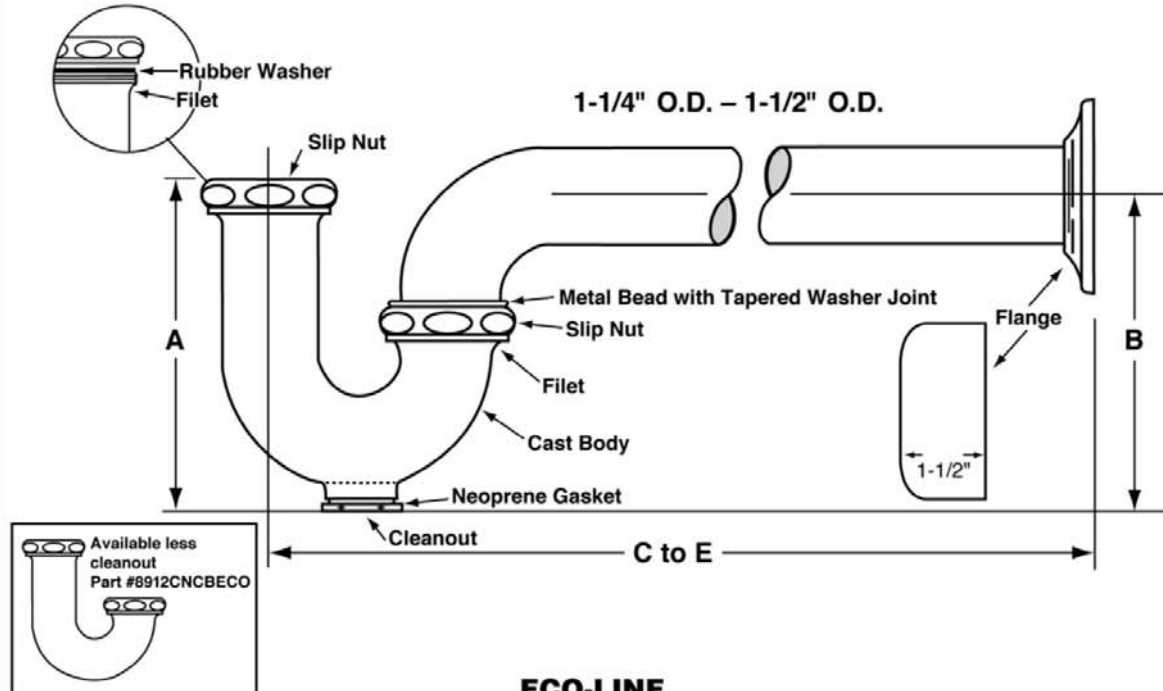
**Part No.**

8872CBECO, C8872CECO, 8904CBECO  
 8912CBECO, C8912CECO,  
 8912CNCBECO, 8912C18BECO

**Cast Body P-Trap With  
 or Without Cleanout**

**Job Name:**

**Submittal Number:**



**ECO-LINE**

**ROUGHING MEASUREMENTS**

MODEL NO.	TRAP DIMENSIONS		A	B	C to E	FLANGE	SLIP NUT
	INLET	OUTLET					
8872CBECO	1-1/4"	1-1/4"	4-1/2"	4-1/2"	11"	Box	Brass
C8872CECO	1-1/4"	1-1/4"	4-1/2"	4-1/2"	10"	Shallow	Zinc
8904CBECO	1-1/2", 2"	2"	5"	6"	13-1/2"	Box	Brass
8912CBECO	1-1/2", 1-1/4"	1-1/2"	5"	5"	12"	Box	Brass
C8912CECO	1-1/2", 1-1/4"	1-1/2"	5"	5"	10-1/2"	Shallow	Zinc
8912CNCBECO	1-1/2", 1-1/4"	1-1/2"	4-3/4"	4-1/2"	12"	Box	Brass
8912C18BECO	1-1/2", 1-1/4"	1-1/2"	5"	5"	18"	Box	Brass

FED SPEC W.W.P. 541  
 CAST BRASS P-TRAP  
 MINIMUM SEAL 2"



ASME A112.18.1-2011/CSA B125.2-11

**Specifications:**

Chrome plated P-Trap shall be cast brass body, with or without cleanout, with 17 gauge seamless tubular wall bend and flange.



**McGuire Manufacturing Co., Inc.**

60 Grandview Court  
 P.O. Box 746 • Cheshire, CT 06410  
 203-699-1801 • Fax: 203-699-1813  
 www.mcguiremfg.com

**PRODUCT SPECIFICATION**

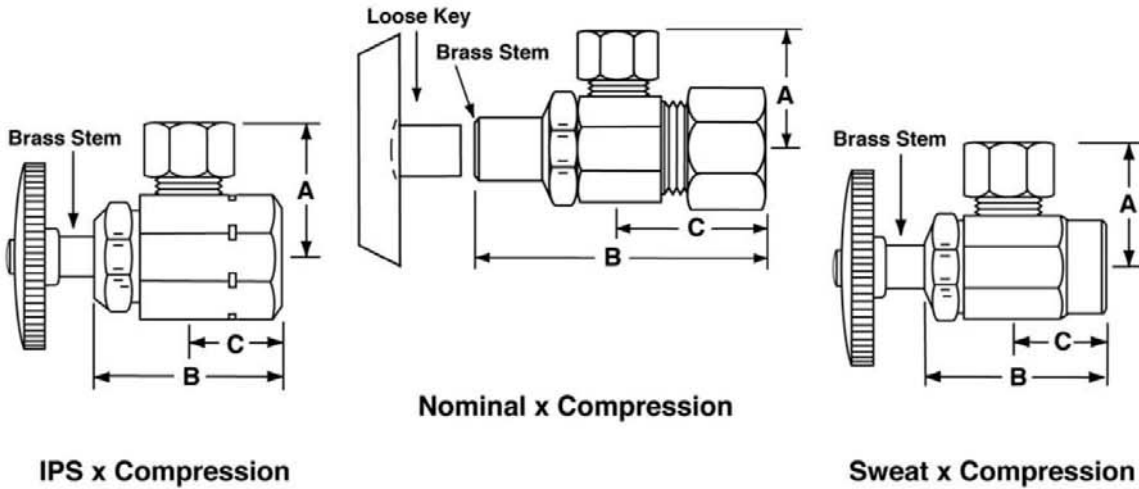
**Part No.**

**LFST02, LFST02LK, LFST04,  
 LFST04LK, LFST07, LFST07LK,  
 LFST09, LFST09LK**

Angle Supply Stop

**Job Name:** \_\_\_\_\_

**Submittal Number:** \_\_\_\_\_



IPS x Compression

Nominal x Compression

Sweat x Compression

NO.	DESCRIPTION	ROUGHING MEASUREMENTS		
		A	B	C
LFST02	1/2" IPS x 3/8" OD, Wheel Handle	1-3/16"	1-1/2"	3/4"
LFST02LK	1/2" IPS x 3/8" OD, Loose Key	1-3/16"	2-1/4"	3/4"
LFST04	1/2" IPS x 1/2" OD, Wheel Handle	1-5/16"	1-1/2"	3/4"
LFST04LK	1/2" IPS x 1/2" OD, Loose Key	1-5/16"	2-1/4"	3/4"
LFST07	1/2" Sweat x 3/8" OD, Wheel Handle	1"	1-1/2"	3/4"
LFST07LK	1/2" Sweat x 3/8" OD, Loose Key	1"	2-1/4"	3/4"
LFST09	1/2" Nominal x 3/8" OD, Wheel Handle	1"	1-3/4"	1"
LFST09LK	1/2" Nominal x 3/8" OD, Loose Key	1"	2-3/8"	1"

X designates Cross Handle

LK designates *Loose Key*

See options and accessories section for details on product variations.



**Specifications:**

Chrome plated brass supply stop valve with full turn brass stem. Inlet shall be (3/8, 1/2) inch (IPS, sweat, compression). Outlet shall be (3/8, 1/2) inch (IPS, compression). Supply stop valve shall be McGuire \_\_\_\_\_. Supply stop valve shall be certified or recognized by testing authority and bear manufacturer and testing mark.



**PASCO Specialty & Mfg., Inc.**

11156 Wright Road  
Lynwood, CA 90262  
Phone (310) 537-7782  
Fax (800) 737-2726

7529 Perryman Court  
Curtis Bay, MD 21226  
Phone (410) 360-5010  
Fax (877) 377-6466

www.pascospecialty.com

**TECHNICAL SPECIFICATION SUBMITTAL**

Chrome plated steel or stainless steel escutcheon or flange for steel, copper, plastic pipe used in plumbing.

Job Name \_\_\_\_\_ Date \_\_\_\_\_

Model Specified \_\_\_\_\_ Quantity \_\_\_\_\_

Customer/Wholesaler \_\_\_\_\_

Contractor \_\_\_\_\_

Architect/Engineer \_\_\_\_\_

**Engineering Specification: A chrome plated steel or stainless steel escutcheon or flange to cover the connection between a sink drain wall bend and the trap adapter at the sanitary tee or other connections where pipe wall penetrations occur.**

- Sure grip style for snug fit
- Domestic or foreign manufacture

**Chrome Plated Steel**



PART NUMBER	IPS	CWT	OUTSIDE DIAMETER
1224	1-1/2" Tubular		3"
1225	3/8"	--	2-1/2"
1226	1/2"	--	2-1/2"
1227	3/4"	--	2-1/2"
1228	1-1/2"	--	3"
1229	2"	--	3-1/4"
1230	--	1/2"	2-1/2"
1231	--	3/4"	2-1/2"
1232	1-1/4"	1-1/2"	3"
1233	1"	--	2-3/4"
1240	--	2"	3-1/2"
1241	--	1"	2-3/4"
1244	1-1/4" Tubular		3"

**Stainless Steel - Grade 304**

1226-SS	1/2"	--	2-1/2"
1227-SS	3/4"	--	2-1/2"
1228-SS	1-1/2"	--	3-1/2"
1229-SS	2"	--	3-1/2"
1230-SS	--	1/2"	2-1/2"
1231-SS	--	3/4"	2-1/2"
37244	1-1/4" Tubular		3"
37224	1-1/2" Tubular		3"

11/16/10

**Flanges - Escutcheons for Steel, Copper, Plastic Pipe**

tss012




**For Residential and Commercial Applications**

Job Name		Engineer / Architect	
Job Location		Wholesaler	
Submittal Date		Contractor	

**1-\*\*A/ 3-\*\*A Copper Faucet Riser - One-Piece with Insert**

**Use:** For use in potable water distribution systems in accessible locations only.

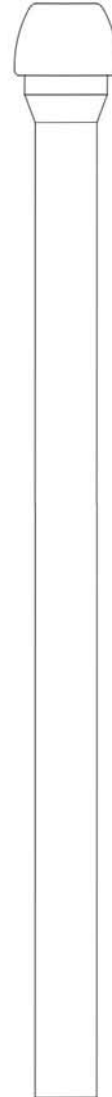
**Design Features:**

- **One-piece** construction
- **Cut-to-Length** for clean, professional installation
- **100% Compliant** 

**Operating Specifications:**

**Temperature:** 40°- 180° F  
**Pressure:** 125 PSI maximum

**Tubing Diameter:** 3/8" OD or 1/2" OD



MATERIAL SPECIFICATIONS	
<b>Tube</b>	Copper per ASTM B-68
<b>Insert</b>	POM
<b>Optional Brass Nosepiece</b>	Brass
<b>Optional Cone Washer</b>	Rubber
<b>Optional Brass Ring</b>	Brass

**Part Listing:**

- 1-12A C 3/8" OD tube x 11-1/2" length, chrome plated
- 1-12A CBT 3/8" OD tube x 11-1/2" length, chrome plated, plain package, bulk
- 1-12A C2 3/8" OD tube x 11-1/2" length, chrome plated, 2 pack
- 1-12A R 3/8" OD tube x 11-1/2" length, rough finish
- 1-12A RBT 3/8" OD tube x 11-1/2" length, rough finish, plain package, bulk
- 1-12A R2 3/8" OD tube x 11-1/2" length, rough finish, 2 pack
- 1-12AS C 3/8" OD tube x 11-1/2" length, brass nosepiece, chrome plated
- 1-12AS R 3/8" OD tube x 11-1/2" length, brass nosepiece, rough finish
- 1-12A BZP 3/8" OD tube x 11-1/2" length, oil rubbed bronze, bagged
- 1-12A NPP 3/8" OD tube x 11-1/2" length, polished nickel, bagged
- 1-12A NSP 3/8" OD tube x 11-1/2" length, satin nickel, bagged
- 1-15A C 3/8" OD tube x 14-1/2" length, chrome plated
- 1-15A CBT 3/8" OD tube x 14-1/2" length, chrome plated, plain package, bulk
- 1-15A C2 3/8" OD tube x 14-1/2" length, chrome plated, 2 pack
- 1-15A R 3/8" OD tube x 14-1/2" length, rough finish
- 1-15A RBT 3/8" OD tube x 14-1/2" length, rough finish, plain

*This specification and all information contained herein is the confidential and exclusive property of BrassCraft Manufacturing, and shall not be disclosed to others without the written consent of BrassCraft Mfg. This specification must be returned to BrassCraft Mfg if requested.*



400.200 1-\*\*A/ 3-\*\*A Copper Faucet Riser - One-Piece with Insert REV 10/12

© 2012 BrassCraft Mfg.

## 1-\*\*A/ 3-\*\*A Copper Faucet Riser - One-Piece with Insert

### Part Listing (con't):

<input checked="" type="checkbox"/>	1-20A C	3/8" OD tube x 19-1/2" length, chrome plated
<input type="checkbox"/>	1-20A CBT	3/8" OD tube x 19-1/2" length, chrome plated, plain package, bulk
<input type="checkbox"/>	1-20A CF	3/8" OD tube x 19-1/2" length, chrome plated, flag label
<input type="checkbox"/>	1-20A C2	3/8" OD tube x 19-1/2" length, chrome plated, 2 pack
<input type="checkbox"/>	1-20A R	3/8" OD tube x 19-1/2" length, rough finish
<input type="checkbox"/>	1-20A RBT	3/8" OD tube x 19-1/2" length, rough finish, plain package, bulk
<input type="checkbox"/>	1-20A R2	3/8" OD tube x 19-1/2" length, rough finish, 2 pack
<input type="checkbox"/>	1-20AS C	3/8" OD tube x 19-1/2" length, brass nosepiece, chrome plated
<input type="checkbox"/>	1-20AS R	3/8" OD tube x 19-1/2" length, brass nosepiece, rough finish
<input type="checkbox"/>	1-20A BZP	3/8" OD tube x 19-1/2" length, oil rubbed bronze, bagged
<input type="checkbox"/>	1-20A NPP	3/8" OD tube x 19-1/2" length, polished nickel, bagged
<input type="checkbox"/>	1-20A NSP	3/8" OD tube x 19-1/2" length, satin nickel, bagged
<input type="checkbox"/>	1-20A PP	3/8" OD tube x 19-1/2" length, polished brass, bagged
<input type="checkbox"/>	1-30A C	3/8" OD tube x 29-1/2" length, chrome plated
<input type="checkbox"/>	1-30A CBT	3/8" OD tube x 29-1/2" length, chrome plated, plain package, bulk
<input type="checkbox"/>	1-30A C2	3/8" OD tube x 29-1/2" length, chrome plated, 2 pack
<input type="checkbox"/>	1-30A R	3/8" OD tube x 29-1/2" length, rough finish
<input type="checkbox"/>	1-30A RBT	3/8" OD tube x 29-1/2" length, rough finish, plain package, bulk
<input type="checkbox"/>	1-30A R2	3/8" OD tube x 29-1/2" length, rough finish, 2 pack
<input type="checkbox"/>	1-30AS C	3/8" OD tube x 29-1/2" length, brass nosepiece, chrome plated
<input type="checkbox"/>	1-30AS R	3/8" OD tube x 29-1/2" length, brass nosepiece, rough finish
<input type="checkbox"/>	1-30A BZP	3/8" OD tube x 29-1/2" length, oil rubbed bronze, bagged
<input type="checkbox"/>	1-30A NSP	3/8" OD tube x 29-1/2" length, satin nickel, bagged
<input type="checkbox"/>	1-30A PP	3/8" OD tube x 29-1/2" length, polished brass, bagged
<input type="checkbox"/>	1-36A C	3/8" OD tube x 35-1/2" length, chrome plated
<input type="checkbox"/>	1-36A CBT	3/8" OD tube x 35-1/2" length, chrome plated, plain package, bulk
<input type="checkbox"/>	1-36A C2	3/8" OD tube x 35-1/2" length, chrome plated, 2 pack
<input type="checkbox"/>	1-36A R	3/8" OD tube x 35-1/2" length, rough brass
<input type="checkbox"/>	1-36A RBT	3/8" OD tube x 35-1/2" length, rough brass, plain package, bulk
<input type="checkbox"/>	1-36A R2	3/8" OD tube x 35-1/2" length, rough brass, 2 pack
<input type="checkbox"/>	1-36AS C	3/8" OD tube x 35-1/2" length, brass nosepiece, chrome plated
<input type="checkbox"/>	3-12A C	1/2" OD tube x 11-1/2" length, chrome plated
<input type="checkbox"/>	3-12A CBT	1/2" OD tube x 11-1/2" length, chrome plated, plain package, bulk
<input type="checkbox"/>	3-12A C2	1/2" OD tube x 11-1/2" length, chrome plated, 2 pack
<input type="checkbox"/>	3-12A R	1/2" OD tube x 11-1/2" length, rough finish
<input type="checkbox"/>	3-12A R2	1/2" OD tube x 11-1/2" length, rough brass, 2 pack
<input type="checkbox"/>	3-20A C	1/2" OD tube x 19-1/2" length, chrome plated
<input type="checkbox"/>	3-20A CBT	1/2" OD tube x 19-1/2" length, chrome plated, plain package, bulk
<input type="checkbox"/>	3-20A C2	1/2" OD tube x 19-1/2" length, chrome plated, 2 pack

*This specification and all information contained herein is the confidential and exclusive property of BrassCraft Manufacturing, and shall not be disclosed to others without the written consent of BrassCraft Mfg. This specification must be returned to BrassCraft Mfg if requested.*

400.200 1-\*\*A/ 3-\*\*A Copper Faucet Riser - One-Piece with Insert REV 10/12

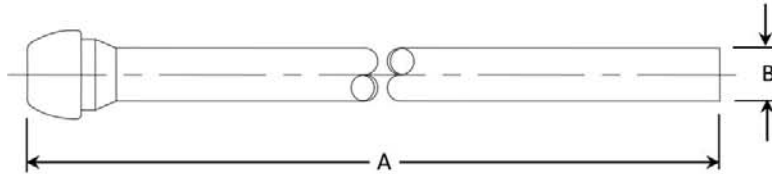
**BrassCraft**<sup>®</sup>

© 2012 BrassCraft Mfg.

## 1-\*\*A/ 3-\*\*A Copper Faucet Riser - One-Piece with Insert

**Part Listing (con't):**

<input type="checkbox"/>	3-20A R	1/2" OD tube x 19-1/2" length, rough finish
<input type="checkbox"/>	3-20A RBT	1/2" OD tube x 19-1/2" length, rough finish, plain package, bulk
<input type="checkbox"/>	3-30A C	1/2" OD tube x 29-1/2" length, chrome plated
<input type="checkbox"/>	3-30A RBT	1/2" OD tube x 29-1/2" length, rough finish, plain package, bulk
<input type="checkbox"/>	3-30A C2	1/2" OD tube x 29-1/2" length, chrome plated, 2 pack
<input type="checkbox"/>	3-30A R	1/2" OD tube x 29-1/2" length, rough finish
<input type="checkbox"/>	3-36A C	1/2" OD tube x 35-1/2" length, chrome plated
<input type="checkbox"/>	3-36A CBT	1/2" OD tube x 35-1/2" length, chrome plated, plain package, bulk
<input type="checkbox"/>	3-36A C2	1/2" OD tube x 35-1/2" length, chrome plated, 2 pack
<input type="checkbox"/>	3-36A R	1/2" OD tube x 35-1/2" length, rough brass
<input type="checkbox"/>	3-36C C	1/2" OD tube x 35-1/2" length, cone washer & brass ring, chrome plated



PART DIMENSIONS (Inches)		
Model	DIM. A	DIA. B
1-12A	11.63	3/8
1-12AS	11.63	3/8
1-15A	14.63	3/8
1-20A	19.63	3/8
1-20A	19.63	3/8
1-30A	29.63	3/8
1-30AS	29.63	3/8

PART DIMENSIONS (Inches)		
Model	DIM. A	DIA. B
1-36A	35.63	3/8
1-36AS	35.63	3/8
3-12A	11.56	1/2
3-20A	19.56	1/2
3-30A	29.56	1/2
3-36A	35.56	1/2
3-36C	35.56	1/2

**Listings & Certifications:**

- IAPMO listed to ASME A112.18.1 / CSA B125.1 (File # 0645)
- CSA listed to ASME A112.18.1 / CSA B125.1 (File # 204593)
- Compliant product CSA listed to Low Lead Content Certification Program – Plumbing Products Class 6853-01



*This specification and all information contained herein is the confidential and exclusive property of BrassCraft Manufacturing, and shall not be disclosed to others without the written consent of BrassCraft Mfg. This specification must be returned to BrassCraft Mfg if requested.*

400.200 1-\*\*A/ 3-\*\*A Copper Faucet Riser - One-Piece with Insert REV 10/12

**BrassCraft®**

© 2012 BrassCraft Mfg.



ADA-compliant undersink protection



# Submittal Sheet

## General Description:

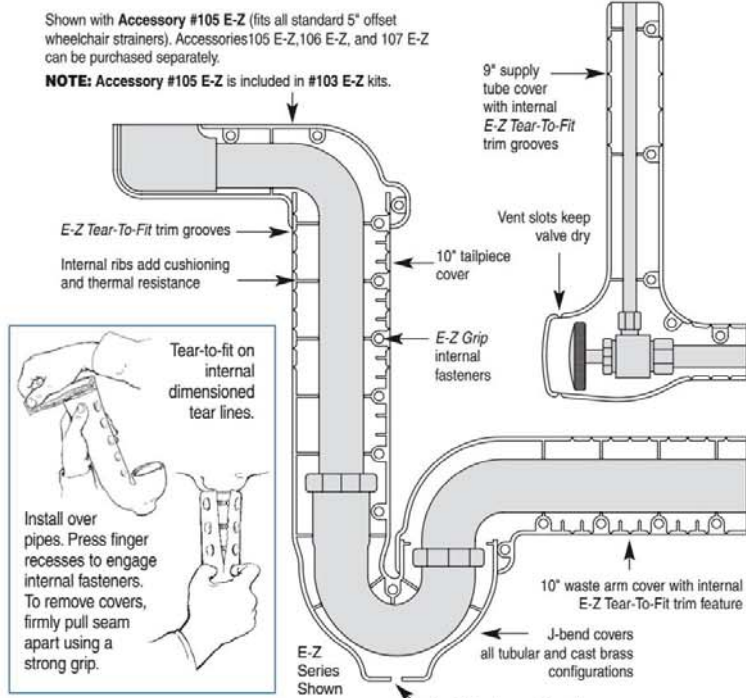
LAV GUARD® 2 E-Z Series waste and supply piping covers satisfy ADA compliance requirements. Built-in E-Z Grip internal fasteners and internal, E-Z Tear-To-Fit trimming feature allow for fast installation without tools. Series #100 E-Z kits are designed to fit on all tubular and cast brass P-trap assemblies. Series #400 kits are the "original" LAV GUARD design and fit schedule 40 ABS and PVC P-trap assemblies — regardless of their geometry or rotational offset. Valve cover completely encloses angle valve and supply tube for both handled and keyed type water stops.

Material	Molded vinyl
Nominal Wall	1/8" constant
Durometer	70 -80 - Shore A
UV Protection	Will not fade or discolor
Durability	Virtually indestructible
Trimming (E-Z Series)	Internal, E-Z Tear-To-Fit trim feature
Fasteners (E-Z Series)	Internal E-Z Grip fasteners (reusable)
Color	China white
Paintability	Apply Latex paint
Burning Characteristics ASTM D-635	Self extinguished 0 sec (ATB) 0 mm (AEB)
Bacteria/Fungus Resistance	ASTM G21 and G22/ Result: 0 growth
Maintenance	Use common detergents

Manufactured under one or more of the following U.S. or Canadian patents. Other patents pending.  
 5,303,730 5,360,031 5,524,669 5,564,463 5,678,598 5,699,828 5,915,412  
 5,915,413 5,901,739 5,960,820 2,075,324 2,119,427 2,136,027 2,158,083



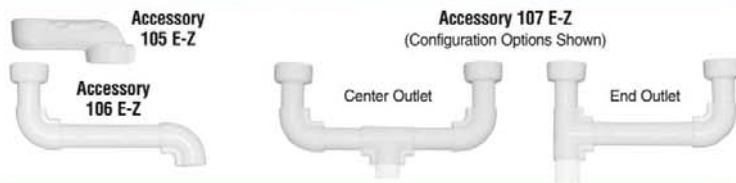
IPS Corporation, 202 Industrial Park Lane, Collierville, TN 38017  
 (901) 853-5001 (800) 340-5969 FAX: (901) 853-5008  
 e-mail: info@truebro.com Internet: http://www.truebro.com



#100 E-Z Series (shown above right) for tubular and cast brass P-trap assemblies.  
 #400W Series (original design) for schedule 40 P-trap assemblies.

- |   |  |   |
|---|--|---|
| <input type="checkbox"/> <b>Model #99 E-Z</b><br>One angle valve and supply cover<br><input type="checkbox"/> <b>Model #100 E-Z</b><br>One P-trap cover<br><input type="checkbox"/> <b>Model #400W*</b><br>One P-trap cover<br><input type="checkbox"/> <b>Model #101 E-Z</b><br>One P-trap cover, one angle valve cover<br><input type="checkbox"/> <b>Model #401W*</b><br>One P-trap cover, one angle valve cover | <input checked="" type="checkbox"/> <b>Model #102 E-Z</b><br>One P-trap cover, two angle valves and covers<br><input type="checkbox"/> <b>Model #402W*</b><br>One P-trap cover, two angle valves and covers<br><input type="checkbox"/> <b>Model #103 E-Z</b><br>One P-trap cover, two angle valves and supply covers, one 5" offset tailpiece wheelchair strainer cover<br><input type="checkbox"/> <b>Accessory #105 E-Z</b><br>One 5" offset tailpiece wheelchair strainer assembly | <input type="checkbox"/> <b>Accessory #105-K</b><br>Kohler 6" offset<br><input type="checkbox"/> <b>Accessory #106 E-Z</b><br>One basket strainer cover and offset waste cover (adjustable to 18")<br><input type="checkbox"/> <b>Accessory #107 E-Z</b><br>Two basket strainer covers and center or end outlet waste cover (adjustable)<br><input type="checkbox"/> <b>Accessory #Ex99 E-Z</b><br>One 16" extension for water supply<br><input type="checkbox"/> <b>Accessory #Ex100 E-Z</b><br>One 16" extension for drain waste arm or tailpiece |
|---|--|---|

\*All #400W series items are the "original" LAV GUARD® design and construction. Specifications may change without notice.



Job/Location \_\_\_\_\_  
 Designer \_\_\_\_\_

TRUEBRO reserves the right to make product and material changes at any time without notice. 2 / 07

# YAKIMA VALLEY CLINIC

S-1

---

# ELKAY<sup>®</sup> SPECIFICATIONS

## Elkay Lustertone Stainless Steel 14-1/2" x 14-1/2" x 5-3/8" Single Bowl Undermount ADA Sink


**Model(s) ELUHAD121255**

### PRODUCT SPECIFICATIONS

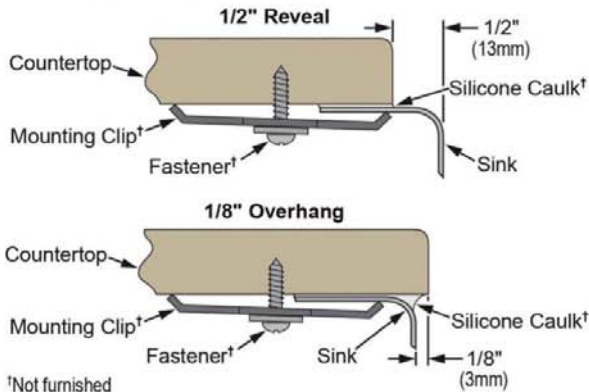
Elkay Lustertone Stainless Steel 14-1/2" x 14-1/2" x 5-3/8", Single Bowl Undermount ADA Sink. Sink is manufactured from 18 gauge 304 Stainless Steel with a Lustertone finish, Rear Center drain placement, and Full spray sides and bottom with Bottom only pads.

<b>Installation Type:</b>	Undermount
<b>Material:</b>	304 Stainless Steel
<b>Finish:</b>	Lustertone
<b>Gauge:</b>	18
<b>Sound Deadening:</b>	Full spray sides and bottom with Bottom only pads
<b>Number of Bowls:</b>	1
<b>Sink Dimensions:</b>	14-1/2" x 14-1/2" x 5-3/8"
<b>Bowl 1 Dimensions:</b>	12" x 12" x 5-3/8"
<b>Drain Size:</b>	3-1/2" (89mm)
<b>Drain Location:</b>	Rear Center
<b>Minimum Cabinet Size:</b>	18"
<b>Mounting Hardware:</b>	Undermount brackets sold separately
<b>Template Included:</b>	Yes
<b>Cutout Template #:</b>	1000001423

Template is available for download at [elkay.com](http://elkay.com)

 This sink is compliant to ADA and ANSI/ICC A117.1 accessibility requirements when installed according to the requirements outlined in these standards.

#### Installation Profile:



Designed to affix to the underside of any solid surface countertop.



#### AMERICAN PRIDE. A LIFETIME TRADITION.

Like your family, the Elkay family has values and traditions that endure. For almost a century, Elkay has been a family-owned and operated company, providing thousands of jobs that support our families and communities.



Sinks are listed by IAPMO<sup>®</sup> as meeting the applicable requirements of the Uniform Plumbing Code<sup>®</sup>, International Plumbing Code<sup>®</sup>, and National Plumbing Code of Canada.

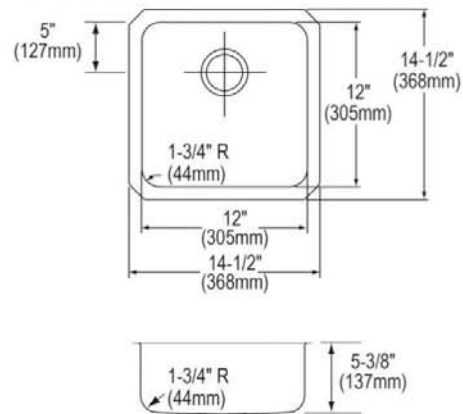
**Product Compliance:** ADA & ICC A117.1  
ASME A112.19.3/CSA B45.4  
BUY AMERICAN ACT

[Clean and Care Manual \(PDF\)](#)

[Installation Instructions \(PDF\)](#)

[Limited Lifetime Warranty \(PDF\)](#)

Similar models are available with: 4-1/2" and 5" depths



PART: \_\_\_\_\_ QTY: \_\_\_\_\_

PROJECT: \_\_\_\_\_

CONTACT: \_\_\_\_\_

DATE: \_\_\_\_\_

NOTES: \_\_\_\_\_

APPROVAL: \_\_\_\_\_

In keeping with our policy of continuing product improvement, Elkay reserves the right to change product specifications without notice. Please visit [elkay.com](http://elkay.com) for the most current version of Elkay product specification sheets. This specification describes an Elkay product with design, quality, and functional benefits to the user. When making a comparison of other producers' offerings, be certain these features are not overlooked.

**ELKAY®**  
 SPECIFICATIONS

 Elkay Lustertone Stainless Steel 14-1/2" x 14-1/2" x 5-3/8"  
 Single Bowl Undermount ADA Sink  
**Model(s) ELUHAD121255**
**OPTIONAL ACCESSORIES**

<b>Cutting Board:</b>	CB912*
<b>Drain:</b>	LK99, LKAD35
<b>Faucet:</b>	LKGT1042, LKGT2042
<b>Hardware:</b>	LKUCLIP8
<b>Rinsing Basket:</b>	LKW RB1209SS
<b>Sinkmate:</b>	LKSMHSL
<b>Soap Dispenser:</b>	LKGT1054
* 1/2" sink reveal required for proper fit.	

*In keeping with our policy of continuing product improvement, Elkay reserves the right to change product specifications without notice. Please visit [elkay.com](http://elkay.com) for the most current version of Elkay product specification sheets. This specification describes an Elkay product with design, quality, and functional benefits to the user. When making a comparison of other producers' offerings, be certain these features are not overlooked.*

# MECHANICAL FAUCETS

## 786-E3ABCP

### Manual Faucets



#### Product Type

Deck Mounted 8" Fixed Centers Concealed Hot and Cold Water Sink Faucet

#### Features & Specifications

- 8" Fixed Centers
- 5-1/4" Rigid / Swing Gooseneck Spout
- 2.2 GPM (8.3 L/min) Aerator
- 4" Vandal Proof Wristblade Handle
- Quatum Compression Operating Cartridge
- 1/2" NPSM Supply Inlets and Coupling Nut for 3/8" or 1/2" Flexible Riser
- ECAST® design provides durable construction with total lead content equal to or less than 0.25% by weighted average
- CFNow! Item Ships in 3 Days

#### Performance Specification

- Rated Operating Pressure: 20-125 PSI
- Rated Operating Temperature: 40-140°F

#### Warranty

- Lifetime Limited Faucet Warranty
- 5-Year Limited Cartridge Warranty
- 1-Year Limited Finish Warranty

#### Codes & Standards

- ASME A112.18.1/CSA B125.1
- Certified to NSF/ANSI 61, Section 9 by CSA
- California Health and Safety Code 116875 (AB1953-2006)
- Vermont Bill S.152
- NSF/ANSI 372 Low Lead Content
- ADA ANSI/ICC A117.1

**NOTE:** This fitting is not intended to be sold in California after January 1, 2016

Job Name \_\_\_\_\_

Item Number \_\_\_\_\_

Section/Tag \_\_\_\_\_

Model Specified \_\_\_\_\_

Architect \_\_\_\_\_

Engineer \_\_\_\_\_

Contractor \_\_\_\_\_

Submitted as Shown       Submitted with Variations

Date \_\_\_\_\_



#### ECAST

ECAST products are intended for installation where state laws and local codes mandate lead content levels or in any location where lead content is a concern.



Last Revision: 07/25/2011 • Date Printed: 06/7/2016 • Product specifications subject to change without notice

2100 South Clearwater Drive  
Des Plaines, IL  
P: 847/803-5000  
F: 847/803-5454  
Technical: 800/TEC-TRUE  
www.chicagofaucets.com



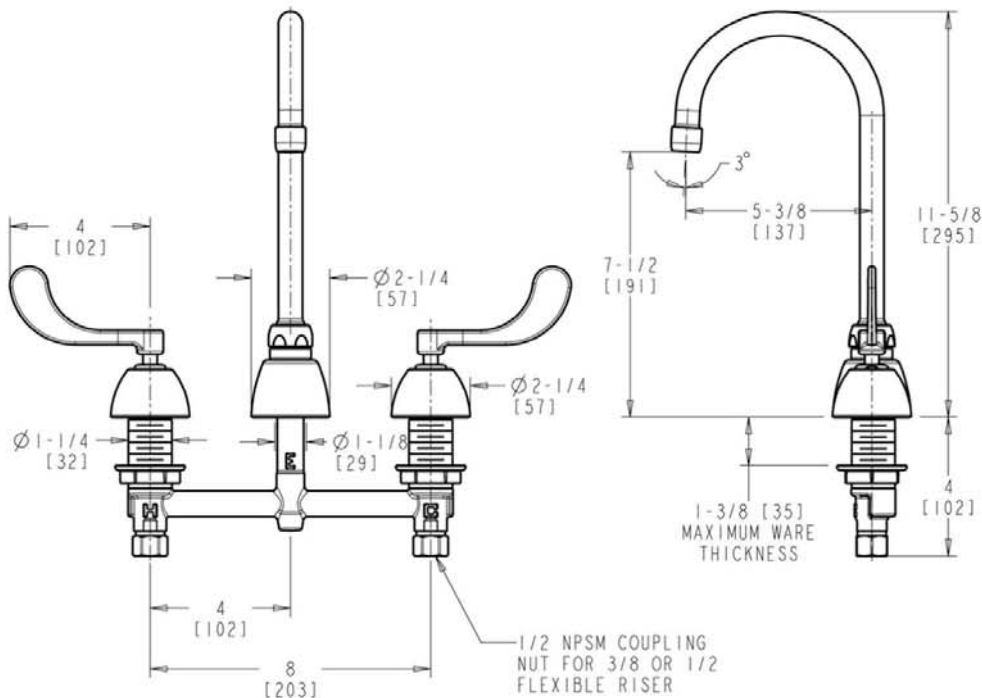
## 786-E3ABCP

### Manual Faucets



#### Architect/Engineer Specification

Chicago Faucets No. 786-E3ABCP, Sink Faucet for hot and cold water, concealed deck-mount with 8" fixed centers, chrome plated. Rigid/swing gooseneck spout, 5-1/4" center-to-center. 2.2 GPM (8.3 L/min) pressure compensating Softflo aerator. 4" metal, vandal-proof, wristblade handles with sixteen-point, tapered broach and secured blue and red index buttons. Quatum™ rebuildable compression cartridge, opens and closes 90°, closes with water pressure, features square, tapered stem. 1/2" NPSM supply inlets and coupling nut for 3/8" or 1/2" flexible riser. ECAST® construction with less than 0.25% lead content by weighted average. This product meets ADA ANSI/ICC A117.1 requirements and is tested and certified to industry standards: ASME A112.18.1/CSA B125.1, Certified to NSF/ANSI 61, Section 9 by CSA, California Health and Safety Code 116875 (AB1953-2006), Vermont Bill S.152, and NSF/ANSI 372 Low Lead Content.



#### Operation and Maintenance

Installation should be in accordance with local plumbing codes. Flush all pipes thoroughly before installation. After installation, remove spout outlet or flow control and flush faucet thoroughly to clear any debris. Care should be taken when cleaning the product. Do not use abrasive cleaners, chemicals or solvents as they can result in surface damage. Use mild soap and warm water for cleaning and protecting the life of Chicago Faucet products. For specific operation and maintenance refer to the installation instructions and repair parts documents that are located at [www.chicagofaucets.com](http://www.chicagofaucets.com).

Chicago Faucets, member of the Geberit Group, is the leading brand of commercial faucets and fittings in the United States, offering a complete range of products for schools, laboratories, hospitals, office buildings, food service, airports and sport facilities. Call 1.800.TECTRUE or 1.847.803.5000 Option 1 for installation or other technical assistance.



Last Revision: 07/25/2011 • Date Printed: 06/7/2016 • Product specifications subject to change without notice

2100 South Clearwater Drive  
Des Plaines, IL  
P: 847/803-5000  
F: 847/803-5454  
Technical: 800/TEC-TRUE  
[www.chicagofaucets.com](http://www.chicagofaucets.com)

# ELKAY<sup>®</sup>

## SPECIFICATIONS

### Sink Accessories Drain Fitting Models LK18, LK18B, LKVR18, LKVR18B and LK372

#### DESIGN FEATURES

##### LK18

- Nickel plated brass body with grid strainer
- Fits 3-1/2" (89mm) opening
- Polished finish
- Nickel plated brass 1-1/2" (38mm) x 4" (102mm) tailpiece

##### LK18B

- Type 304 stainless steel body with grid strainer
- Fits 3-1/2" (89mm) opening
- Polished finish
- Type 304 stainless steel 1-1/2" (38mm) x 4" (102mm) tailpiece

##### LK372

- Type 316 stainless steel body with grid strainer
- Fits 3-1/2" (89mm) opening
- Polished finish
- Type 316 stainless steel 1-1/2" (38mm) x 4" (102mm) tailpiece

##### LKVR18

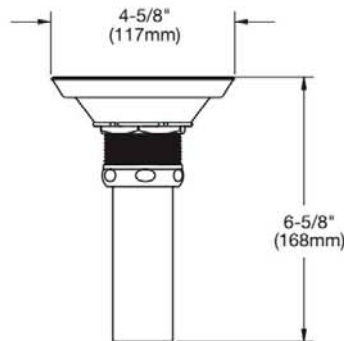
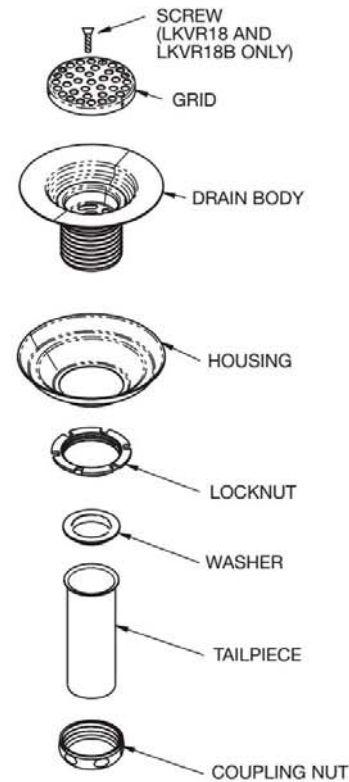
- Nickel plated brass body with vandal resistant grid strainer
- Fits 3-1/2" (89mm) opening
- Polished finish
- Nickel plated brass 1-1/2" (38mm) x 4" (102mm) tailpiece

##### LKVR18B

- Type 304 stainless steel body with vandal resistant grid strainer
- Fits 3-1/2" (89mm) opening
- Polished finish
- Type 304 stainless steel 1-1/2" (38mm) x 4" (102mm) tailpiece



Model LK18



In keeping with our policy of continuing product improvement, Elkay reserves the right to change product specifications without notice. Please visit [elkayusa.com](http://elkayusa.com) for most current version of Elkay product specification sheets.

This specification describes an Elkay product with design, quality and functional benefits to the user. When making a comparison of other producers' offerings, be certain these features are not overlooked.

**Elkay**  
[elkayusa.com](http://elkayusa.com)

2222 Camden Court  
Oak Brook, IL 60523

Printed in U.S.A.  
©2008 Elkay  
(Rev. 10/08) 15-13D



**McGuire Manufacturing Co., Inc.**

60 Grandview Court  
 P.O. Box 746 • Cheshire, CT 06410  
 203-699-1801 • Fax: 203-699-1813  
 www.mcguiremfg.com

**Part No.**

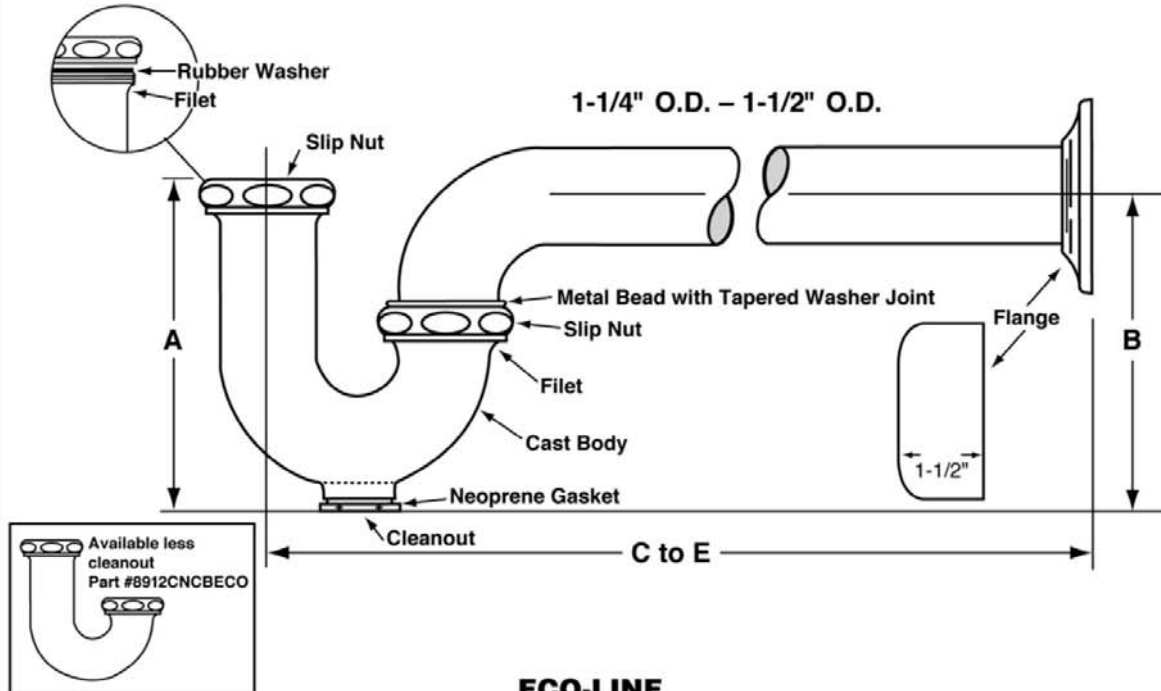
8872CBECO, C8872CECO, 8904CBECO  
 8912CBECO, C8912CECO,  
 8912CNCBECO, 8912C18BECO

**PRODUCT SPECIFICATION**

**Cast Body P-Trap With  
 or Without Cleanout**

**Job Name:**

**Submittal Number:**



**ECO-LINE**

**ROUGHING MEASUREMENTS**

MODEL NO.	TRAP DIMENSIONS		A	B	C to E	FLANGE	SLIP NUT
	INLET	OUTLET					
8872CBECO	1-1/4"	1-1/4"	4-1/2"	4-1/2"	11"	Box	Brass
C8872CECO	1-1/4"	1-1/4"	4-1/2"	4-1/2"	10"	Shallow	Zinc
8904CBECO	1-1/2", 2"	2"	5"	6"	13-1/2"	Box	Brass
8912CBECO	1-1/2", 1-1/4"	1-1/2"	5"	5"	12"	Box	Brass
C8912CECO	1-1/2", 1-1/4"	1-1/2"	5"	5"	10-1/2"	Shallow	Zinc
8912CNCBECO	1-1/2", 1-1/4"	1-1/2"	4-3/4"	4-1/2"	12"	Box	Brass
8912C18BECO	1-1/2", 1-1/4"	1-1/2"	5"	5"	18"	Box	Brass

FED SPEC W.W.P. 541  
 CAST BRASS P-TRAP  
 MINIMUM SEAL 2"



ASME A112.18.1-2011/CSA B125.2-11

**Specifications:**

Chrome plated P-Trap shall be cast brass body, with or without cleanout, with 17 gauge seamless tubular wall bend and flange.



**McGuire Manufacturing Co., Inc.**

60 Grandview Court  
 P.O. Box 746 • Cheshire, CT 06410  
 203-699-1801 • Fax: 203-699-1813  
 www.mcguiremfg.com

**PRODUCT SPECIFICATION**

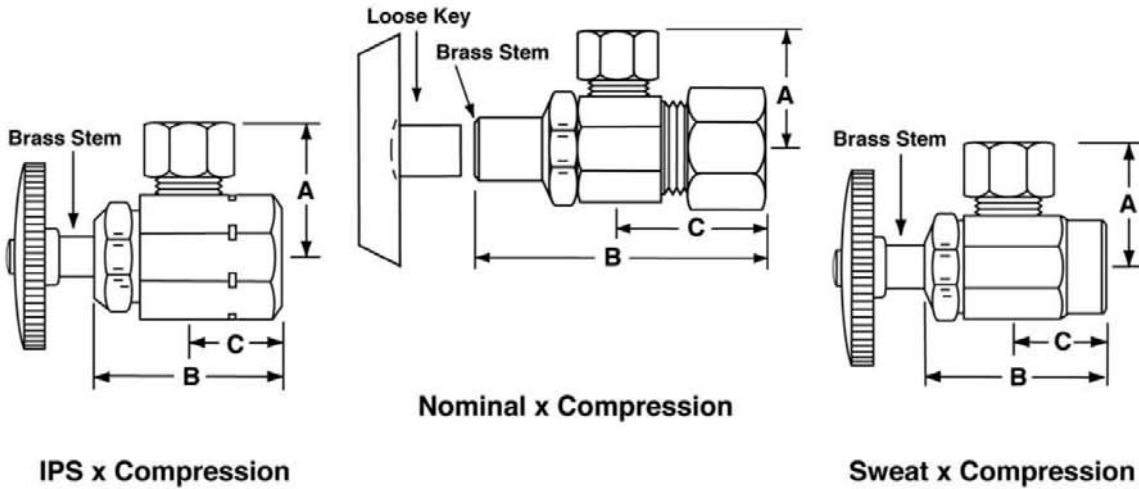
**Part No.**

**LFST02, LFST02LK, LFST04,  
 LFST04LK, LFST07, LFST07LK,  
 LFST09, LFST09LK**

Angle Supply Stop

**Job Name:** \_\_\_\_\_

**Submittal Number:** \_\_\_\_\_



IPS x Compression

Nominal x Compression

Sweat x Compression

NO.	DESCRIPTION	ROUGHING MEASUREMENTS		
		A	B	C
LFST02	1/2" IPS x 3/8" OD, Wheel Handle	1-3/16"	1-1/2"	3/4"
LFST02LK	1/2" IPS x 3/8" OD, Loose Key	1-3/16"	2-1/4"	3/4"
LFST04	1/2" IPS x 1/2" OD, Wheel Handle	1-5/16"	1-1/2"	3/4"
LFST04LK	1/2" IPS x 1/2" OD, Loose Key	1-5/16"	2-1/4"	3/4"
LFST07	1/2" Sweat x 3/8" OD, Wheel Handle	1"	1-1/2"	3/4"
LFST07LK	1/2" Sweat x 3/8" OD, Loose Key	1"	2-1/4"	3/4"
LFST09	1/2" Nominal x 3/8" OD, Wheel Handle	1"	1-3/4"	1"
LFST09LK	1/2" Nominal x 3/8" OD, Loose Key	1"	2-3/8"	1"

X designates Cross Handle

LK designates *Loose Key*

See options and accessories section for details on product variations.



**Specifications:**

Chrome plated brass supply stop valve with full turn brass stem. Inlet shall be (3/8, 1/2) inch (IPS, sweat, compression). Outlet shall be (3/8, 1/2) inch (IPS, compression). Supply stop valve shall be McGuire \_\_\_\_\_. Supply stop valve shall be certified or recognized by testing authority and bear manufacturer and testing mark.



**PASCO Specialty & Mfg., Inc.**

11156 Wright Road  
Lynwood, CA 90262  
Phone (310) 537-7782  
Fax (800) 737-2726

7529 Perryman Court  
Curtis Bay, MD 21226  
Phone (410) 360-5010  
Fax (877) 377-6466

www.pascospecialty.com

**TECHNICAL SPECIFICATION SUBMITTAL**

Chrome plated steel or stainless steel escutcheon or flange for steel, copper, plastic pipe used in plumbing.

Job Name \_\_\_\_\_ Date \_\_\_\_\_

Model Specified \_\_\_\_\_ Quantity \_\_\_\_\_

Customer/Wholesaler \_\_\_\_\_

Contractor \_\_\_\_\_

Architect/Engineer \_\_\_\_\_

**Engineering Specification: A chrome plated steel or stainless steel escutcheon or flange to cover the connection between a sink drain wall bend and the trap adapter at the sanitary tee or other connections where pipe wall penetrations occur.**

- Sure grip style for snug fit
- Domestic or foreign manufacture

**Chrome Plated Steel**



PART NUMBER	IPS	CWT	OUTSIDE DIAMETER
1224	1-1/2" Tubular		3"
1225	3/8"	--	2-1/2"
1226	1/2"	--	2-1/2"
1227	3/4"	--	2-1/2"
1228	1-1/2"	--	3"
1229	2"	--	3-1/4"
1230	--	1/2"	2-1/2"
1231	--	3/4"	2-1/2"
1232	1-1/4"	1-1/2"	3"
1233	1"	--	2-3/4"
1240	--	2"	3-1/2"
1241	--	1"	2-3/4"
1244	1-1/4" Tubular		3"

**Stainless Steel - Grade 304**

1226-SS	1/2"	--	2-1/2"
1227-SS	3/4"	--	2-1/2"
1228-SS	1-1/2"	--	3-1/2"
1229-SS	2"	--	3-1/2"
1230-SS	--	1/2"	2-1/2"
1231-SS	--	3/4"	2-1/2"
37244	1-1/4" Tubular		3"
37224	1-1/2" Tubular		3"

11/16/10

**Flanges - Escutcheons for Steel, Copper, Plastic Pipe**

tss012

**For Residential and Commercial Applications**

Job Name		Engineer / Architect	
Job Location		Wholesaler	
Submittal Date		Contractor	

**1-\*\*A/ 3-\*\*A Copper Faucet Riser - One-Piece with Insert**

**Use:** For use in potable water distribution systems in accessible locations only.

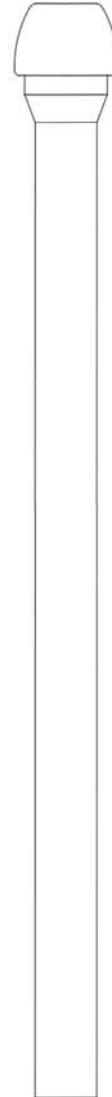
**Design Features:**

- **One-piece** construction
- **Cut-to-Length** for clean, professional installation
- **100% Compliant**

**Operating Specifications:**

**Temperature:** 40° - 180° F  
**Pressure:** 125 PSI maximum

**Tubing Diameter:** 3/8" OD or 1/2" OD



<b>MATERIAL SPECIFICATIONS</b>	
<b>Tube</b>	Copper per ASTM B-68
<b>Insert</b>	POM
<b>Optional Brass Nosepiece</b>	Brass
<b>Optional Cone Washer</b>	Rubber
<b>Optional Brass Ring</b>	Brass

**Part Listing:**

- 1-12A C                    3/8" OD tube x 11-1/2" length, chrome plated
- 1-12A CBT                3/8" OD tube x 11-1/2" length, chrome plated, plain package, bulk
- 1-12A C2                 3/8" OD tube x 11-1/2" length, chrome plated, 2 pack
- 1-12A R                  3/8" OD tube x 11-1/2" length, rough finish
- 1-12A RBT                3/8" OD tube x 11-1/2" length, rough finish, plain package, bulk
- 1-12A R2                 3/8" OD tube x 11-1/2" length, rough finish, 2 pack
- 1-12AS C                 3/8" OD tube x 11-1/2" length, brass nosepiece, chrome plated
- 1-12AS R                 3/8" OD tube x 11-1/2" length, brass nosepiece, rough finish
- 1-12A BZP                3/8" OD tube x 11-1/2" length, oil rubbed bronze, bagged
- 1-12A NPP                3/8" OD tube x 11-1/2" length, polished nickel, bagged
- 1-12A NSP                3/8" OD tube x 11-1/2" length, satin nickel, bagged
- 1-15A C                  3/8" OD tube x 14-1/2" length, chrome plated
- 1-15A CBT                3/8" OD tube x 14-1/2" length, chrome plated, plain package, bulk
- 1-15A C2                 3/8" OD tube x 14-1/2" length, chrome plated, 2 pack
- 1-15A R                  3/8" OD tube x 14-1/2" length, rough finish
- 1-15A RBT                3/8" OD tube x 14-1/2" length, rough finish, plain

*This specification and all information contained herein is the confidential and exclusive property of BrassCraft Manufacturing, and shall not be disclosed to others without the written consent of BrassCraft Mfg. This specification must be returned to BrassCraft Mfg if requested.*



400.200 1-\*\*A/ 3-\*\*A Copper Faucet Riser - One-Piece with Insert REV 10/12

© 2012 BrassCraft Mfg.

## 1-\*\*A/ 3-\*\*A Copper Faucet Riser - One-Piece with Insert

### Part Listing (con't):

<input checked="" type="checkbox"/>	1-20A C	3/8" OD tube x 19-1/2" length, chrome plated
<input type="checkbox"/>	1-20A CBT	3/8" OD tube x 19-1/2" length, chrome plated, plain package, bulk
<input type="checkbox"/>	1-20A CF	3/8" OD tube x 19-1/2" length, chrome plated, flag label
<input type="checkbox"/>	1-20A C2	3/8" OD tube x 19-1/2" length, chrome plated, 2 pack
<input type="checkbox"/>	1-20A R	3/8" OD tube x 19-1/2" length, rough finish
<input type="checkbox"/>	1-20A RBT	3/8" OD tube x 19-1/2" length, rough finish, plain package, bulk
<input type="checkbox"/>	1-20A R2	3/8" OD tube x 19-1/2" length, rough finish, 2 pack
<input type="checkbox"/>	1-20AS C	3/8" OD tube x 19-1/2" length, brass nosepiece, chrome plated
<input type="checkbox"/>	1-20AS R	3/8" OD tube x 19-1/2" length, brass nosepiece, rough finish
<input type="checkbox"/>	1-20A BZP	3/8" OD tube x 19-1/2" length, oil rubbed bronze, bagged
<input type="checkbox"/>	1-20A NPP	3/8" OD tube x 19-1/2" length, polished nickel, bagged
<input type="checkbox"/>	1-20A NSP	3/8" OD tube x 19-1/2" length, satin nickel, bagged
<input type="checkbox"/>	1-20A PP	3/8" OD tube x 19-1/2" length, polished brass, bagged
<input type="checkbox"/>	1-30A C	3/8" OD tube x 29-1/2" length, chrome plated
<input type="checkbox"/>	1-30A CBT	3/8" OD tube x 29-1/2" length, chrome plated, plain package, bulk
<input type="checkbox"/>	1-30A C2	3/8" OD tube x 29-1/2" length, chrome plated, 2 pack
<input type="checkbox"/>	1-30A R	3/8" OD tube x 29-1/2" length, rough finish
<input type="checkbox"/>	1-30A RBT	3/8" OD tube x 29-1/2" length, rough finish, plain package, bulk
<input type="checkbox"/>	1-30A R2	3/8" OD tube x 29-1/2" length, rough finish, 2 pack
<input type="checkbox"/>	1-30AS C	3/8" OD tube x 29-1/2" length, brass nosepiece, chrome plated
<input type="checkbox"/>	1-30AS R	3/8" OD tube x 29-1/2" length, brass nosepiece, rough finish
<input type="checkbox"/>	1-30A BZP	3/8" OD tube x 29-1/2" length, oil rubbed bronze, bagged
<input type="checkbox"/>	1-30A NSP	3/8" OD tube x 29-1/2" length, satin nickel, bagged
<input type="checkbox"/>	1-30A PP	3/8" OD tube x 29-1/2" length, polished brass, bagged
<input type="checkbox"/>	1-36A C	3/8" OD tube x 35-1/2" length, chrome plated
<input type="checkbox"/>	1-36A CBT	3/8" OD tube x 35-1/2" length, chrome plated, plain package, bulk
<input type="checkbox"/>	1-36A C2	3/8" OD tube x 35-1/2" length, chrome plated, 2 pack
<input type="checkbox"/>	1-36A R	3/8" OD tube x 35-1/2" length, rough brass
<input type="checkbox"/>	1-36A RBT	3/8" OD tube x 35-1/2" length, rough brass, plain package, bulk
<input type="checkbox"/>	1-36A R2	3/8" OD tube x 35-1/2" length, rough brass, 2 pack
<input type="checkbox"/>	1-36AS C	3/8" OD tube x 35-1/2" length, brass nosepiece, chrome plated
<input type="checkbox"/>	3-12A C	1/2" OD tube x 11-1/2" length, chrome plated
<input type="checkbox"/>	3-12A CBT	1/2" OD tube x 11-1/2" length, chrome plated, plain package, bulk
<input type="checkbox"/>	3-12A C2	1/2" OD tube x 11-1/2" length, chrome plated, 2 pack
<input type="checkbox"/>	3-12A R	1/2" OD tube x 11-1/2" length, rough finish
<input type="checkbox"/>	3-12A R2	1/2" OD tube x 11-1/2" length, rough brass, 2 pack
<input type="checkbox"/>	3-20A C	1/2" OD tube x 19-1/2" length, chrome plated
<input type="checkbox"/>	3-20A CBT	1/2" OD tube x 19-1/2" length, chrome plated, plain package, bulk
<input type="checkbox"/>	3-20A C2	1/2" OD tube x 19-1/2" length, chrome plated, 2 pack

*This specification and all information contained herein is the confidential and exclusive property of BrassCraft Manufacturing, and shall not be disclosed to others without the written consent of BrassCraft Mfg. This specification must be returned to BrassCraft Mfg if requested.*

400.200 1-\*\*A/ 3-\*\*A Copper Faucet Riser - One-Piece with Insert REV 10/12

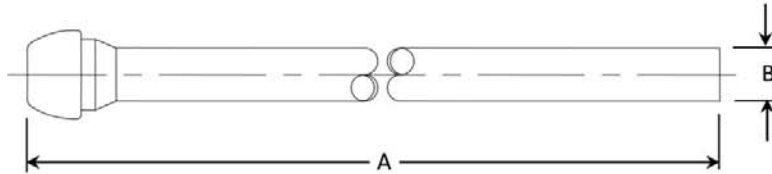
**BrassCraft**<sup>®</sup>

© 2012 BrassCraft Mfg.

## 1-\*\*A/ 3-\*\*A Copper Faucet Riser - One-Piece with Insert

**Part Listing (con't):**

<input type="checkbox"/>	3-20A R	1/2" OD tube x 19-1/2" length, rough finish
<input type="checkbox"/>	3-20A RBT	1/2" OD tube x 19-1/2" length, rough finish, plain package, bulk
<input type="checkbox"/>	3-30A C	1/2" OD tube x 29-1/2" length, chrome plated
<input type="checkbox"/>	3-30A RBT	1/2" OD tube x 29-1/2" length, rough finish, plain package, bulk
<input type="checkbox"/>	3-30A C2	1/2" OD tube x 29-1/2" length, chrome plated, 2 pack
<input type="checkbox"/>	3-30A R	1/2" OD tube x 29-1/2" length, rough finish
<input type="checkbox"/>	3-36A C	1/2" OD tube x 35-1/2" length, chrome plated
<input type="checkbox"/>	3-36A CBT	1/2" OD tube x 35-1/2" length, chrome plated, plain package, bulk
<input type="checkbox"/>	3-36A C2	1/2" OD tube x 35-1/2" length, chrome plated, 2 pack
<input type="checkbox"/>	3-36A R	1/2" OD tube x 35-1/2" length, rough brass
<input type="checkbox"/>	3-36C C	1/2" OD tube x 35-1/2" length, cone washer & brass ring, chrome plated



PART DIMENSIONS (Inches)		
Model	DIM. A	DIA. B
1-12A	11.63	3/8
1-12AS	11.63	3/8
1-15A	14.63	3/8
1-20A	19.63	3/8
1-20A	19.63	3/8
1-30A	29.63	3/8
1-30AS	29.63	3/8

PART DIMENSIONS (Inches)		
Model	DIM. A	DIA. B
1-36A	35.63	3/8
1-36AS	35.63	3/8
3-12A	11.56	1/2
3-20A	19.56	1/2
3-30A	29.56	1/2
3-36A	35.56	1/2
3-36C	35.56	1/2

**Listings & Certifications:**

- IAPMO listed to ASME A112.18.1 / CSA B125.1 (File # 0645)
- CSA listed to ASME A112.18.1 / CSA B125.1 (File # 204593)
- Compliant product CSA listed to Low Lead Content Certification Program – Plumbing Products Class 6853-01



*This specification and all information contained herein is the confidential and exclusive property of BrassCraft Manufacturing, and shall not be disclosed to others without the written consent of BrassCraft Mfg. This specification must be returned to BrassCraft Mfg if requested.*

400.200 1-\*\*A/ 3-\*\*A Copper Faucet Riser - One-Piece with Insert REV 10/12

**BrassCraft®**

© 2012 BrassCraft Mfg.



# YAKIMA VALLEY CLINIC

S-2

---

**ELKAY**<sup>®</sup>  
SPECIFICATIONS

Elkay Lustertone Stainless Steel 21-1/2" x 18-1/2" x 5-3/8"  
Single Bowl Undermount ADA Sink


**Model(s) ELUHAD191655**

**PRODUCT SPECIFICATIONS**

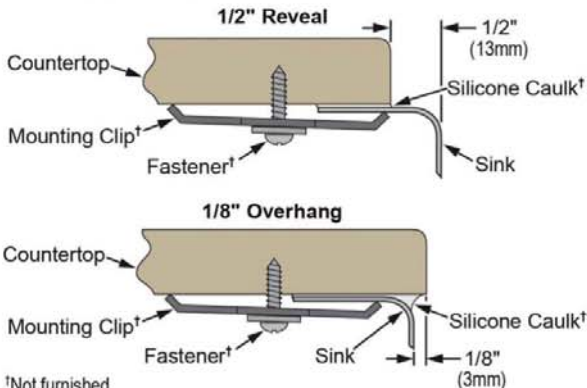
Elkay Lustertone Stainless Steel 21-1/2" x 18-1/2" x 5-3/8", Single Bowl Undermount ADA Sink. Sink is manufactured from 18 gauge 304 Stainless Steel with a Lustertone finish, Rear Center drain placement, and Full spray sides and bottom with Bottom only pads.

<b>Installation Type:</b>	Undermount
<b>Material:</b>	304 Stainless Steel
<b>Finish:</b>	Lustertone
<b>Gauge:</b>	18
<b>Sound Deadening:</b>	Full spray sides and bottom with Bottom only pads
<b>Number of Bowls:</b>	1
<b>Sink Dimensions:</b>	21-1/2" x 18-1/2" x 5-3/8"
<b>Bowl 1 Dimensions:</b>	19" x 16" x 5-3/8"
<b>Drain Size:</b>	3-1/2" (89mm)
<b>Drain Location:</b>	Rear Center
<b>Minimum Cabinet Size:</b>	27"
<b>Mounting Hardware:</b>	Undermount brackets sold separately
<b>Template Included:</b>	Yes
<b>Cutout Template #:</b>	1000001424

Template is available for download at [elkay.com](http://elkay.com)

 This sink is compliant to ADA and ANSI/ICC A117.1 accessibility requirements when installed according to the requirements outlined in these standards.


**Installation Profile:**



AMERICAN PRIDE. A LIFETIME TRADITION.

Like your family, the Elkay family has values and traditions that endure. For almost a century, Elkay has been a family-owned and operated company, providing thousands of jobs that support our families and communities.



 Sinks are listed by IAPMO<sup>®</sup> as meeting the applicable requirements of the Uniform Plumbing Code<sup>®</sup>, International Plumbing Code<sup>®</sup>, and National Plumbing Code of Canada.

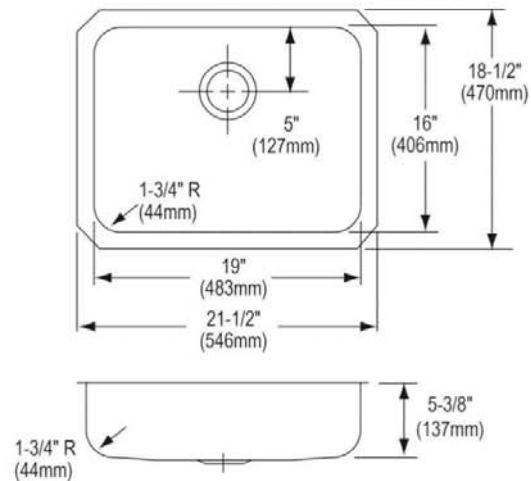
**Product Compliance:** ADA & ICC A117.1  
ASME A112.19.3/CSA B45.4  
BUY AMERICAN ACT

[Clean and Care Manual \(PDF\)](#)

[Installation Instructions \(PDF\)](#)

[Limited Lifetime Warranty \(PDF\)](#)

Similar models are available with: 4-1/2" and 5" depths



PART: \_\_\_\_\_ QTY: \_\_\_\_\_  
 PROJECT: \_\_\_\_\_  
 CONTACT: \_\_\_\_\_  
 DATE: \_\_\_\_\_  
 NOTES: \_\_\_\_\_  
 APPROVAL: \_\_\_\_\_

In keeping with our policy of continuing product improvement, Elkay reserves the right to change product specifications without notice. Please visit [elkay.com](http://elkay.com) for the most current version of Elkay product specification sheets. This specification describes an Elkay product with design, quality, and functional benefits to the user. When making a comparison of other producers' offerings, be certain these features are not overlooked.

Elkay REV 05242017  
ELUHAD191655

2222 Camden Court  
Oak Brook, IL 60523

© 2017 Page 1 of 2  
ELUHAD191655\_spec.pdf

**ELKAY®**  
SPECIFICATIONS

Elkay Lustertone Stainless Steel 21-1/2" x 18-1/2" x 5-3/8"  
Single Bowl Undermount ADA Sink  
**Model(s) ELUHAD191655**

**OPTIONAL ACCESSORIES**

<b>Cutting Board:</b>	CBS1316*
<b>Drain:</b>	LK99, LKAD35
<b>Faucet:</b>	LKGT1041, LKGT2041
<b>Hardware:</b>	LKUCLIP8
<b>Rinsing Basket:</b>	LKWRB1418SS, LKWERBSS
<b>Sinkmate:</b>	LKSMHSL
<b>Soap Dispenser:</b>	LKGT1054
* 1/2" sink reveal required for proper fit.	

*In keeping with our policy of continuing product improvement, Elkay reserves the right to change product specifications without notice. Please visit [elkay.com](http://elkay.com) for the most current version of Elkay product specification sheets. This specification describes an Elkay product with design, quality, and functional benefits to the user. When making a comparison of other producers' offerings, be certain these features are not overlooked.*

# MECHANICAL FAUCETS

## 786-E3ABCP

### Manual Faucets



#### Product Type

Deck Mounted 8" Fixed Centers Concealed Hot and Cold Water Sink Faucet

#### Features & Specifications

- 8" Fixed Centers
- 5-1/4" Rigid / Swing Gooseneck Spout
- 2.2 GPM (8.3 L/min) Aerator
- 4" Vandal Proof Wristblade Handle
- Quatum Compression Operating Cartridge
- 1/2" NPSM Supply Inlets and Coupling Nut for 3/8" or 1/2" Flexible Riser
- ECAST® design provides durable construction with total lead content equal to or less than 0.25% by weighted average
- CFNow! Item Ships in 3 Days

#### Performance Specification

- Rated Operating Pressure: 20-125 PSI
- Rated Operating Temperature: 40-140°F

#### Warranty

- Lifetime Limited Faucet Warranty
- 5-Year Limited Cartridge Warranty
- 1-Year Limited Finish Warranty

#### Codes & Standards

- ASME A112.18.1/CSA B125.1
- Certified to NSF/ANSI 61, Section 9 by CSA
- California Health and Safety Code 116875 (AB1953-2006)
- Vermont Bill S.152
- NSF/ANSI 372 Low Lead Content
- ADA ANSI/ICC A117.1

**NOTE:** This fitting is not intended to be sold in California after January 1, 2016

Job Name \_\_\_\_\_

Item Number \_\_\_\_\_

Section/Tag \_\_\_\_\_

Model Specified \_\_\_\_\_

Architect \_\_\_\_\_

Engineer \_\_\_\_\_

Contractor \_\_\_\_\_

Submitted as Shown       Submitted with Variations

Date \_\_\_\_\_



#### ECAST

ECAST products are intended for installation where state laws and local codes mandate lead content levels or in any location where lead content is a concern.



Last Revision: 07/25/2011 • Date Printed: 06/7/2016 • Product specifications subject to change without notice

2100 South Clearwater Drive  
 Des Plaines, IL  
 P: 847/803-5000  
 F: 847/803-5454  
 Technical: 800/TEC-TRUE  
 www.chicagofaucets.com

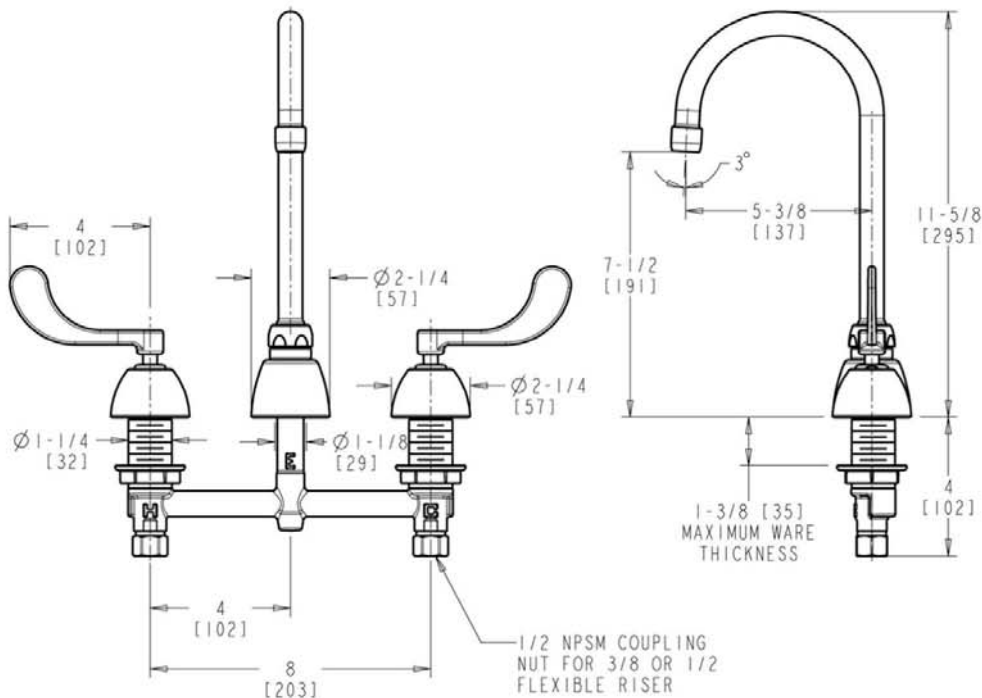
## 786-E3ABCP

### Manual Faucets



#### Architect/Engineer Specification

Chicago Faucets No. 786-E3ABCP, Sink Faucet for hot and cold water, concealed deck-mount with 8" fixed centers, chrome plated. Rigid/swing gooseneck spout, 5-1/4" center-to-center. 2.2 GPM (8.3 L/min) pressure compensating Softflo aerator. 4" metal, vandal-proof, wristblade handles with sixteen-point, tapered broach and secured blue and red index buttons. Quatum™ rebuildable compression cartridge, opens and closes 90°, closes with water pressure, features square, tapered stem. 1/2" NPSM supply inlets and coupling nut for 3/8" or 1/2" flexible riser. ECAST® construction with less than 0.25% lead content by weighted average. This product meets ADA ANSI/ICC A117.1 requirements and is tested and certified to industry standards: ASME A112.18.1/CSA B125.1, Certified to NSF/ANSI 61, Section 9 by CSA, California Health and Safety Code 116875 (AB1953-2006), Vermont Bill S.152, and NSF/ANSI 372 Low Lead Content.



#### Operation and Maintenance

Installation should be in accordance with local plumbing codes. Flush all pipes thoroughly before installation. After installation, remove spout outlet or flow control and flush faucet thoroughly to clear any debris. Care should be taken when cleaning the product. Do not use abrasive cleaners, chemicals or solvents as they can result in surface damage. Use mild soap and warm water for cleaning and protecting the life of Chicago Faucet products. For specific operation and maintenance refer to the installation instructions and repair parts documents that are located at [www.chicagofaucets.com](http://www.chicagofaucets.com).

Chicago Faucets, member of the Geberit Group, is the leading brand of commercial faucets and fittings in the United States, offering a complete range of products for schools, laboratories, hospitals, office buildings, food service, airports and sport facilities. Call 1.800.TECTRUE or 1.847.803.5000 Option 1 for installation or other technical assistance.



Last Revision: 07/25/2011 • Date Printed: 06/7/2016 • Product specifications subject to change without notice

2100 South Clearwater Drive  
Des Plaines, IL  
P: 847/803-5000  
F: 847/803-5454  
Technical: 800/TEC-TRUE  
[www.chicagofaucets.com](http://www.chicagofaucets.com)



**S19-270HD, S19-270HW, S19-270JD, S19-270JW**  
**Swing-Down Eye and Eye/Face Wash Units**

- Exceeds American National Standard Z358.1 Specifications
- Durable, Ceramic Valve
- Precise 20° Swing-Down Activation
- Durable Anti-Rotational Deck-Mount or Wall-Mount Units
- Chrome-Plated Brass on Exposed Piping and Fittings
- Universal Identification Sign and Inspection Tag Included

**Specifications**

Unit design saves space and fits easily into any work environment. Eye and eye/face wash units operate quickly by pulling swing arm down 90° over sink. Both deck-mount and wall-mount designs are available. New vandal resistant ceramic valve limits wear and tear on moving parts, providing dependability and long lasting performance. Safe, steady water flow under varying water supply conditions from 30-90 PSI is assured by integral flow. Eye/face wash and sprayheads contain an antimicrobial agent to protect the sprayheads (S19-270JD and S19-270JW only).

*This plumbing fixture is not intended to dispense water for human consumption through drinking or for preparation of food or beverages.*

**Standard Equipment**

**Eyewash Sprayhead Assembly**

Chrome-plated brass sprayhead assembly with twin soft-flow eyewash heads and protective sprayhead covers. The integral flow control assures safe, steady flow under varying water supply conditions from 30-90 PSI. (S19-270HD and S19-270HW).

**Eye/Face Wash Sprayhead Assembly**

Twin perforated-disc eye/face wash heads with protective sprayhead covers. Gentle spray bathes eyes and face (S19-270JD and S19-270JW).

**Valve**

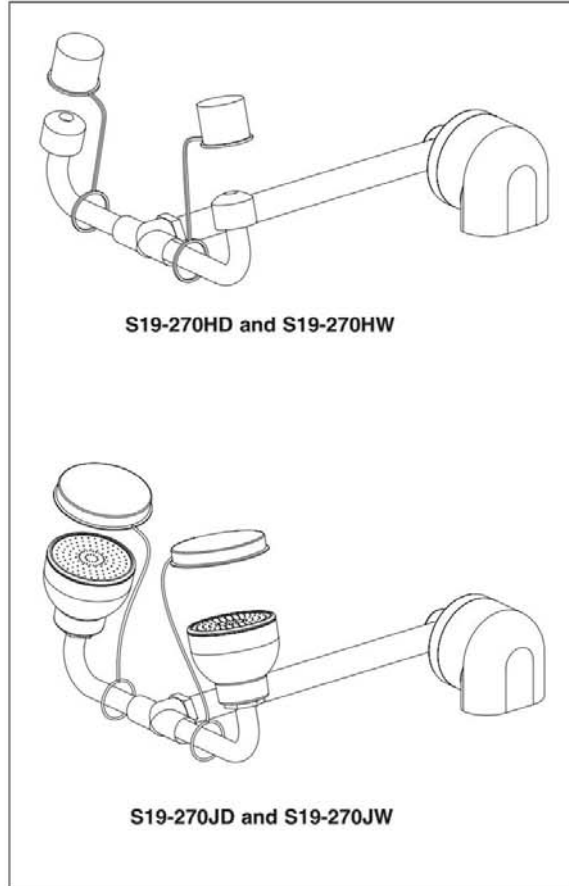
Ceramic 1/2" NPT stay-open valve. The ceramic discs provide a precise 20° activation and deactivation angle, minimizing excessive splashing when the unit is activated.

**Pipe and Fittings**

Chrome-plated brass.

**Water Supply**

1/2" NPT.



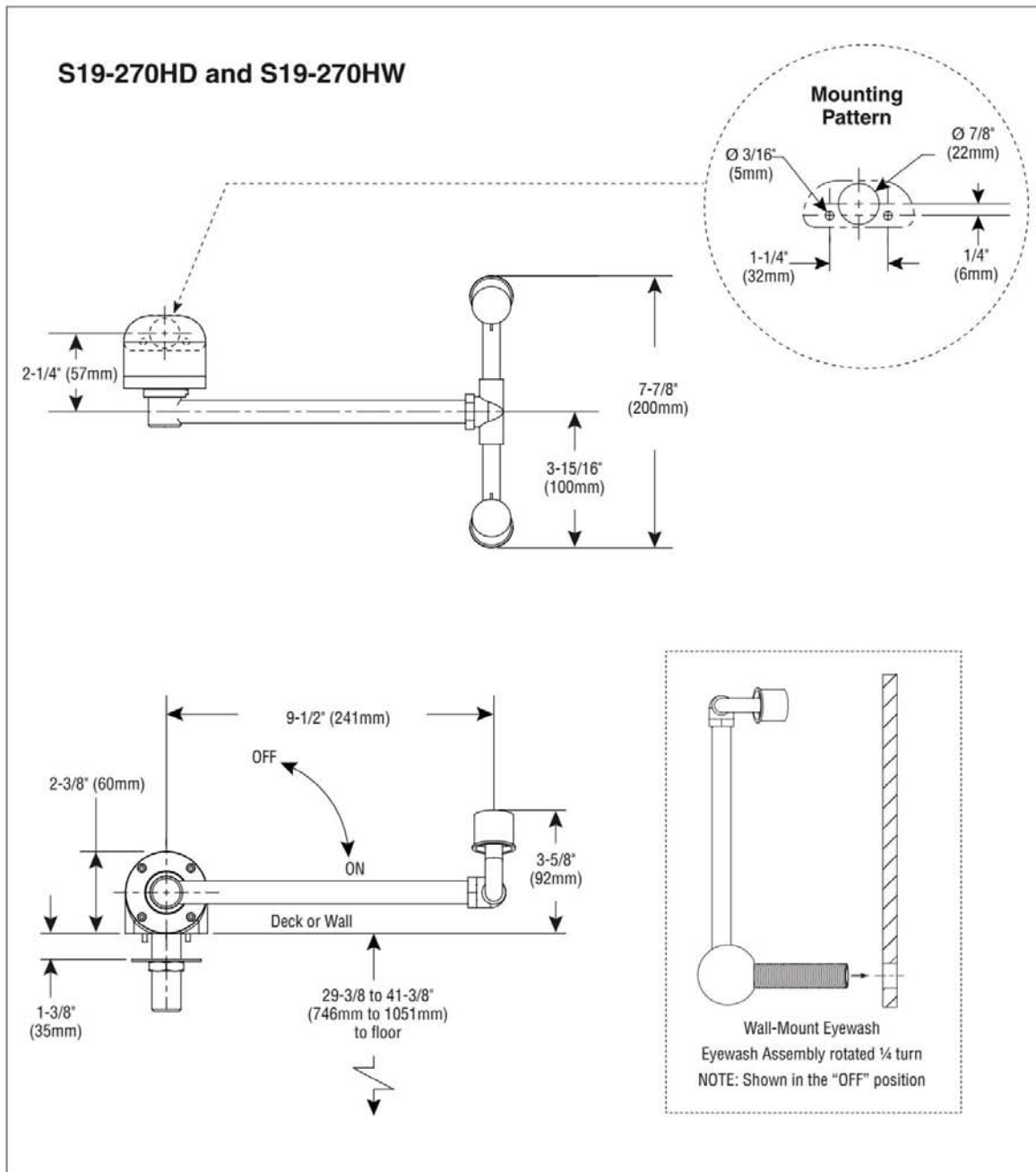
**Recommended Option:**  
 Navigator S19-2000 EFX8  
 Emergency Thermostatic Mixing Valve

Satisfies ANSI Z358.1  
 tepid water requirements.

Model	Description
<input checked="" type="checkbox"/> S19-270HD	Deck-Mount Swing-Down Eyewash Unit
<input type="checkbox"/> S19-270HW	Wall-Mount Swing-Down Eyewash Unit
<input type="checkbox"/> S19-270JD	Deck-Mount Swing-Down Eye/Face Wash Unit
<input type="checkbox"/> S19-270JW	Wall-Mount Swing-Down Eye/Face Wash Unit
<input type="checkbox"/> S19-2000	Navigator EFX8 - Emergency Thermostatic Mixing Valve



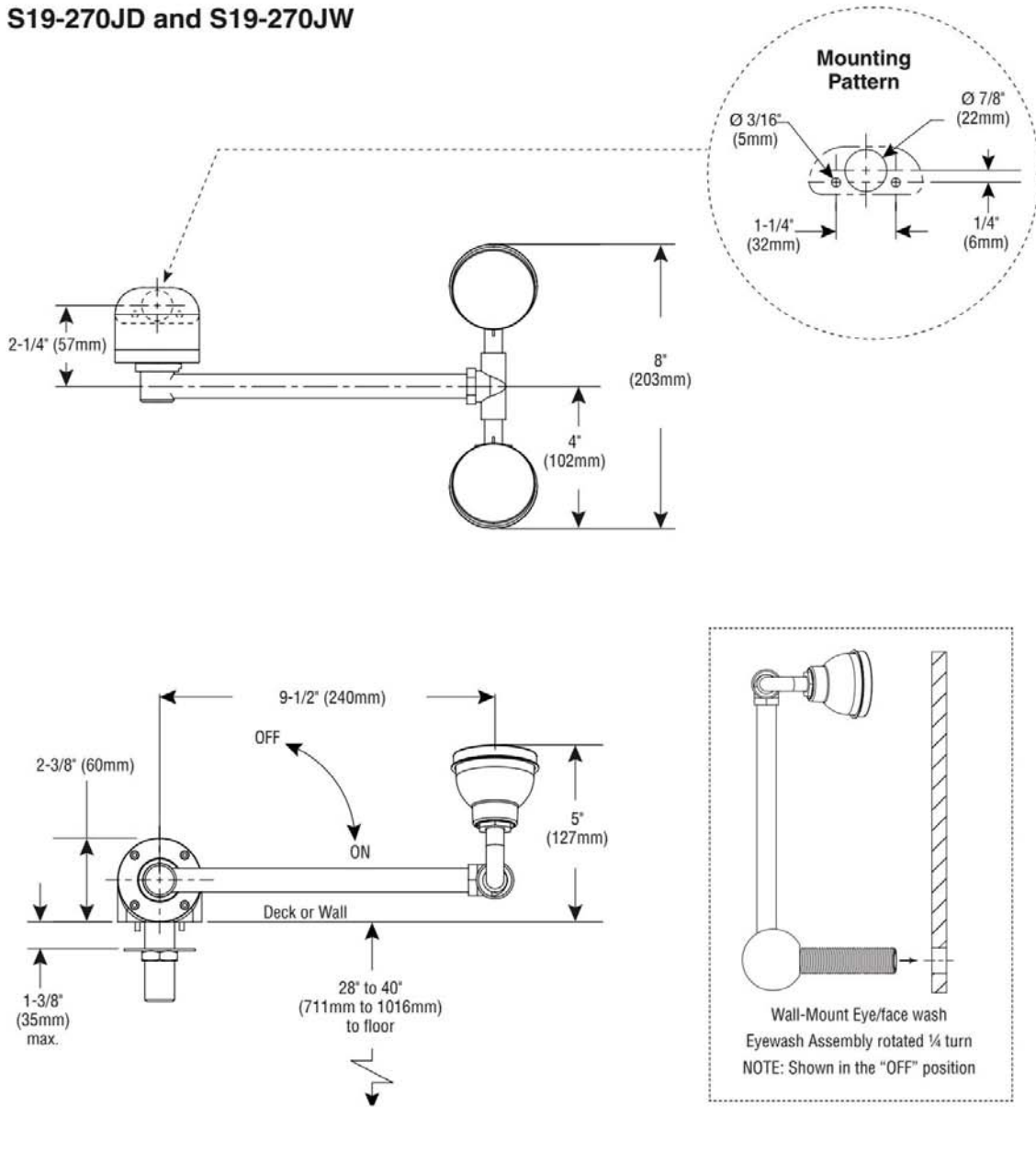
**S19-270HD, S19-270HW, S19-270JD, S19-270JW**  
**Swing-Down Eye and Eye/Face Wash Units**





**S19-270HD, S19-270HW, S19-270JD, S19-270JW**  
**Swing-Down Eye and Eye/Face Wash Units**

**S19-270JD and S19-270JW**

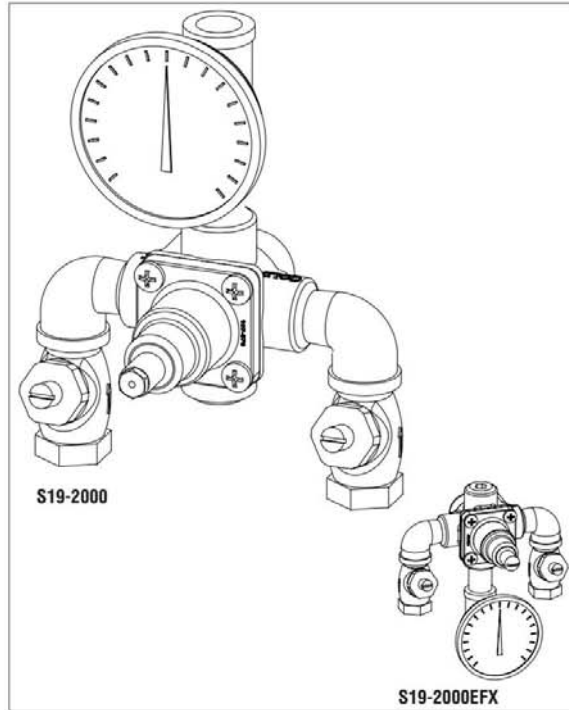






**S19-2000, S19-2000EFX**  
**Emergency Fixture Thermostatic Mixing Valves**

- Exceeds ANSI Z358.1
- ASSE 1071 Certified
- Reliable Liquid-Filled Thermostat with 10-Year Warranty
- Checkstops on Inlets
- Adjustable Set Point within Temperature Range
- Accurate Temperature Control to within  $\pm 3^{\circ}$  F
- Built-in Cold Water Bypass, Assuring Cold Flow
- Positive Shutoff of Hot Supply When Cold Supply is Lost
- Easy Installation and Serviceability
- Dirt and Lime Resistant
- Dial Thermometer
- Factory Assembled and Tested
- Universal Mounting Capability
- Cabinet Features:
  - 18 Gauge Body & Door
  - Left-Hand Hinge
  - Cylinder Lock
  - Inlet/Outlet Knock-Out Holes for Mounting Flexibility
  - Stainless Steel or Baked White Enamel Finishes
  - Surface-Mounted or Recessed Style with Flange



**Valve Specifications**

**Maximum Operating Pressure**

125 PSI (860 kPA)

**Maximum Inlet Temperature**

180° F (82° C)

**Recommended Inlet Temperature**

120° F (49° C) – 140° F (60° C)

**Temperature Range**

Std. 65° F (18° C) to 90° F (32° C)

**Set Point**

85° F (29° C)

**Flow Capacities – GPM (L/Min)**

Model	Min. Flow	Pressure Drop – PSI (Bar)						
		5 (.5)	10 (1.0)	15 (1.5)	20 (2.0)	30 (2.5)	45 (3.0)	60 (4.0)
S19-2000	1.5 (5.5)	3.0 (13.5)	4.0 (19.0)	5.0 (23.5)	6.0 (27.0)	7.3 (30.5)	9.0 (33.5)	10.5 (38.5)
		2.3 (10.5)	3.2 (14.5)	4.0 (18.0)	4.6 (21.0)	5.6 (23.5)	6.8 (25.5)	7.7 (29.5)
<b>Cold Bypass Only</b>								

This plumbing fixture is not intended to dispense water for human consumption through drinking or for preparation of food or beverages.

Engineer's Approval \_\_\_\_\_

Page 1 of 3  
 This information is subject to change without notice.  
 Bradley\_TMV\_Emergency\_EFX8

**Optional Selections**

**Finish**  
 C Chrome Plated

**Bracket**  
 B Wall Mounting Bracket

**Cabinets**  
 SS Surface Mount Stainless Steel  
 RS Recessed Stainless Steel  
 SE Surface Mount White Enamel  
 RE Recessed White Enamel  
 W Plexi-glass Window in Door

**Code Compliance and Certifications**

ASSE 1071 & UPC certified.



© 2015 Bradley  
 P.O. Box 309, Menomonee Falls, WI 53052-0309  
 800 BRADLEY (800 272 3539) +1 262 251 6000  
 bradleycorp.com

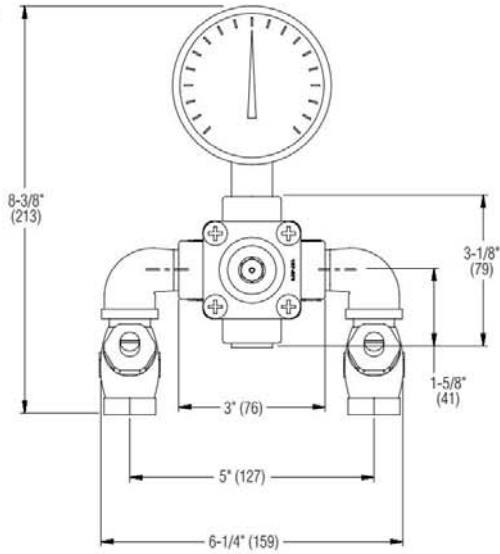


## S19-2000, S19-2000EFX Emergency Fixture Thermostatic Mixing Valves

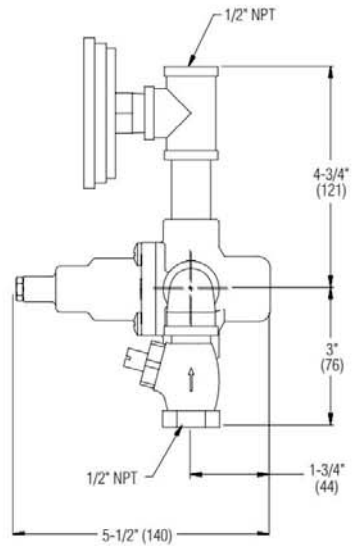
### Dimensions

(mm)

#### Front View

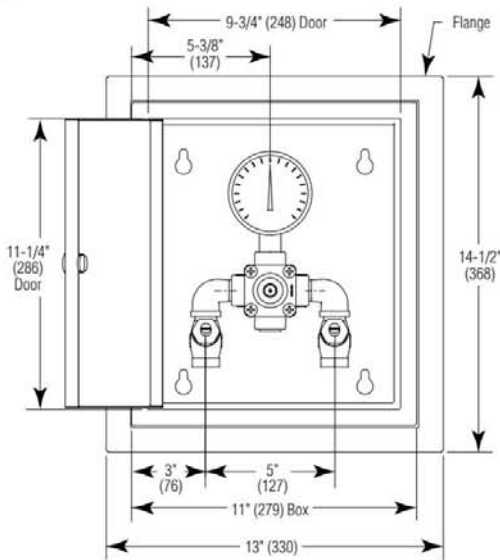


#### Side View

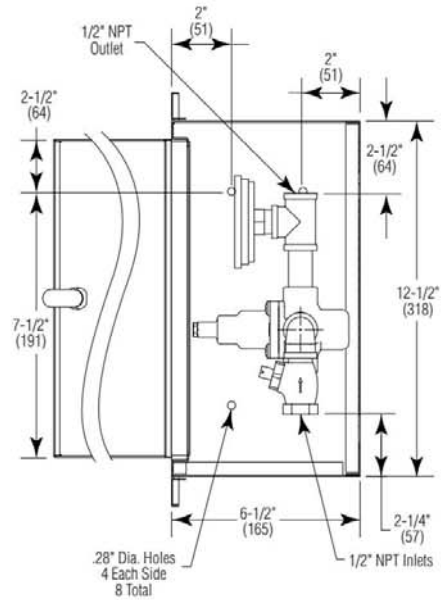


### Dimensions — S19-2000 Recessed Cabinet

#### Front View



#### Side View



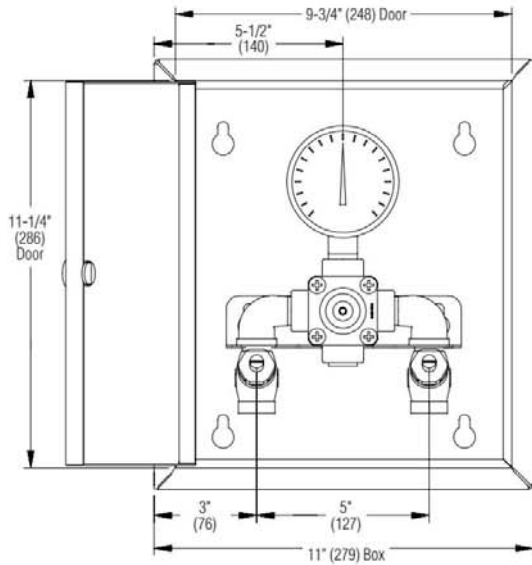


## S19-2000, S19-2000EFX Emergency Fixture Thermostatic Mixing Valves

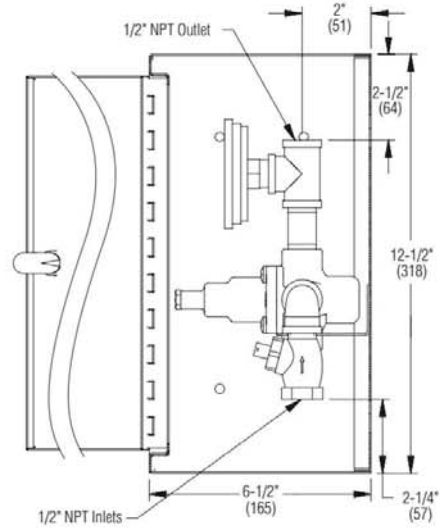
Dimensions — S19-2000 Surface-Mounted Cabinet

(mm)

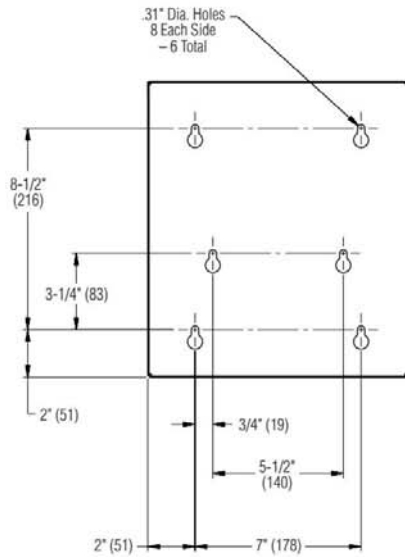
**Front View**



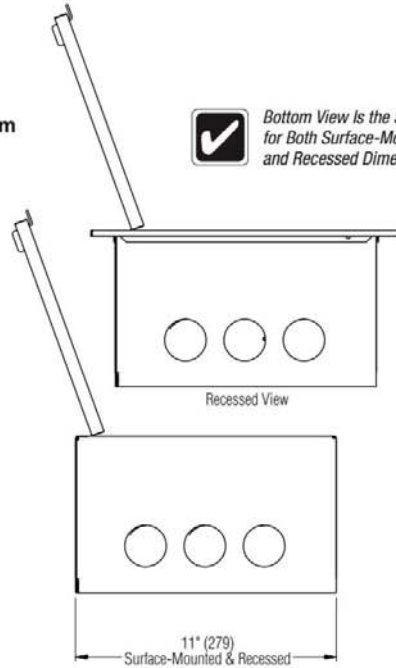
**Side View**



**Back View**



**Bottom View**



Bottom View Is the Same  
for Both Surface-Mounted  
and Recessed Dimensions.

Page 3 of 3  
This information is subject to change without notice.  
Bradley\_TMV\_Emergency\_EFX8

4/25/2014

© 2015 Bradley  
P.O. Box 309, Menomonee Falls, WI 53052-0309  
800 BRADLEY (800 272 3539) +1 262 251 6000  
bradleycorp.com

# ELKAY<sup>®</sup>

## SPECIFICATIONS

### Sink Accessories Drain Fitting Models LK18, LK18B, LKVR18, LKVR18B and LK372

#### DESIGN FEATURES

##### LK18

- Nickel plated brass body with grid strainer
- Fits 3-1/2" (89mm) opening
- Polished finish
- Nickel plated brass 1-1/2" (38mm) x 4" (102mm) tailpiece

##### LK18B

- Type 304 stainless steel body with grid strainer
- Fits 3-1/2" (89mm) opening
- Polished finish
- Type 304 stainless steel 1-1/2" (38mm) x 4" (102mm) tailpiece

##### LK372

- Type 316 stainless steel body with grid strainer
- Fits 3-1/2" (89mm) opening
- Polished finish
- Type 316 stainless steel 1-1/2" (38mm) x 4" (102mm) tailpiece

##### LKVR18

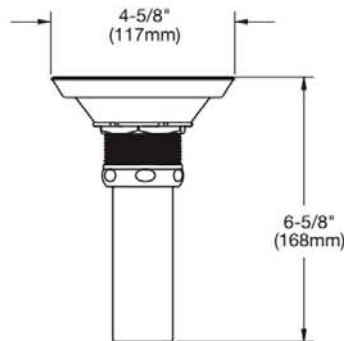
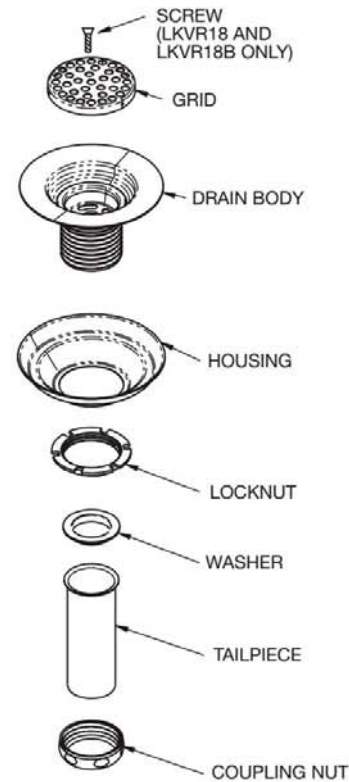
- Nickel plated brass body with vandal resistant grid strainer
- Fits 3-1/2" (89mm) opening
- Polished finish
- Nickel plated brass 1-1/2" (38mm) x 4" (102mm) tailpiece

##### LKVR18B

- Type 304 stainless steel body with vandal resistant grid strainer
- Fits 3-1/2" (89mm) opening
- Polished finish
- Type 304 stainless steel 1-1/2" (38mm) x 4" (102mm) tailpiece



Model LK18



In keeping with our policy of continuing product improvement, Elkay reserves the right to change product specifications without notice. Please visit [elkayusa.com](http://elkayusa.com) for most current version of Elkay product specification sheets.

This specification describes an Elkay product with design, quality and functional benefits to the user. When making a comparison of other producers' offerings, be certain these features are not overlooked.

**Elkay**  
[elkayusa.com](http://elkayusa.com)

2222 Camden Court  
Oak Brook, IL 60523

Printed in U.S.A.  
©2008 Elkay  
(Rev. 10/08) 15-13D



**McGuire Manufacturing Co., Inc.**

60 Grandview Court  
 P.O. Box 746 • Cheshire, CT 06410  
 203-699-1801 • Fax: 203-699-1813  
 www.mcguiremfg.com

**PRODUCT SPECIFICATION**

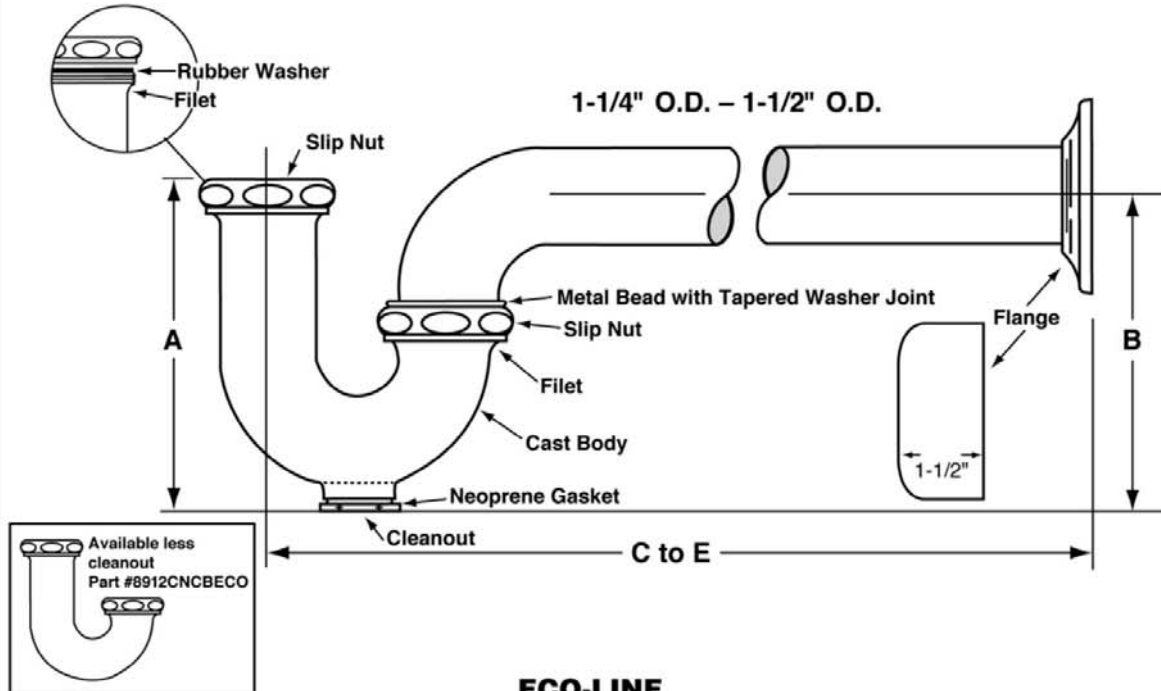
**Part No.**

8872CBECO, C8872CECO, 8904CBECO  
 8912CBECO, C8912CECO,  
 8912CNCBECO, 8912C18BECO

**Cast Body P-Trap With  
 or Without Cleanout**

**Job Name:**

**Submittal Number:**



**ECO-LINE**

**ROUGHING MEASUREMENTS**

MODEL NO.	TRAP DIMENSIONS		A	B	C to E	FLANGE	SLIP NUT
	INLET	OUTLET					
8872CBECO	1-1/4"	1-1/4"	4-1/2"	4-1/2"	11"	Box	Brass
C8872CECO	1-1/4"	1-1/4"	4-1/2"	4-1/2"	10"	Shallow	Zinc
8904CBECO	1-1/2", 2"	2"	5"	6"	13-1/2"	Box	Brass
8912CBECO	1-1/2", 1-1/4"	1-1/2"	5"	5"	12"	Box	Brass
C8912CECO	1-1/2", 1-1/4"	1-1/2"	5"	5"	10-1/2"	Shallow	Zinc
8912CNCBECO	1-1/2", 1-1/4"	1-1/2"	4-3/4"	4-1/2"	12"	Box	Brass
8912C18BECO	1-1/2", 1-1/4"	1-1/2"	5"	5"	18"	Box	Brass

FED SPEC W.W.P. 541  
 CAST BRASS P-TRAP  
 MINIMUM SEAL 2"



ASME A112.18.1-2011/CSA B125.2-11

**Specifications:**

Chrome plated P-Trap shall be cast brass body, with or without cleanout, with 17 gauge seamless tubular wall bend and flange.



**McGuire Manufacturing Co., Inc.**

60 Grandview Court  
 P.O. Box 746 • Cheshire, CT 06410  
 203-699-1801 • Fax: 203-699-1813  
 www.mcguiremfg.com

**PRODUCT SPECIFICATION**

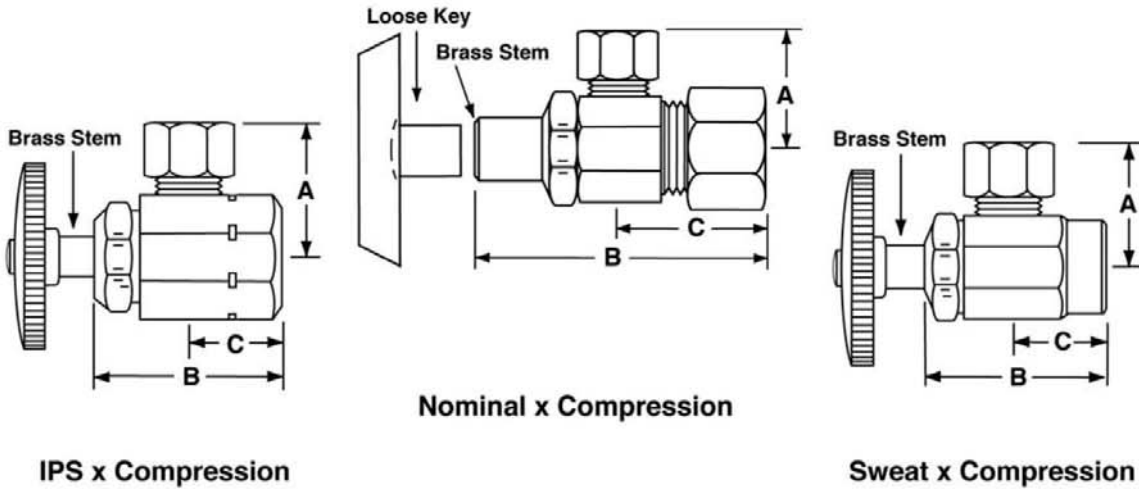
**Part No.**

**LFST02, LFST02LK, LFST04,  
 LFST04LK, LFST07, LFST07LK,  
 LFST09, LFST09LK**

Angle Supply Stop

**Job Name:** \_\_\_\_\_

**Submittal Number:** \_\_\_\_\_



IPS x Compression

Nominal x Compression

Sweat x Compression

NO.	DESCRIPTION	ROUGHING MEASUREMENTS		
		A	B	C
LFST02	1/2" IPS x 3/8" OD, Wheel Handle	1-3/16"	1-1/2"	3/4"
LFST02LK	1/2" IPS x 3/8" OD, Loose Key	1-3/16"	2-1/4"	3/4"
LFST04	1/2" IPS x 1/2" OD, Wheel Handle	1-5/16"	1-1/2"	3/4"
LFST04LK	1/2" IPS x 1/2" OD, Loose Key	1-5/16"	2-1/4"	3/4"
LFST07	1/2" Sweat x 3/8" OD, Wheel Handle	1"	1-1/2"	3/4"
LFST07LK	1/2" Sweat x 3/8" OD, Loose Key	1"	2-1/4"	3/4"
LFST09	1/2" Nominal x 3/8" OD, Wheel Handle	1"	1-3/4"	1"
LFST09LK	1/2" Nominal x 3/8" OD, Loose Key	1"	2-3/8"	1"

X designates Cross Handle

LK designates *Loose Key*

See options and accessories section for details on product variations.



**Specifications:**

Chrome plated brass supply stop valve with full turn brass stem. Inlet shall be (3/8, 1/2) inch (IPS, sweat, compression). Outlet shall be (3/8, 1/2) inch (IPS, compression). Supply stop valve shall be McGuire \_\_\_\_\_. Supply stop valve shall be certified or recognized by testing authority and bear manufacturer and testing mark.

© 2013 McGuire Manufacturing Co., Inc. All rights reserved / IV Supply Kits & Stops / www.mcguiremfg.com



**PASCO Specialty & Mfg., Inc.**

11156 Wright Road  
Lynwood, CA 90262  
Phone (310) 537-7782  
Fax (800) 737-2726

7529 Perryman Court  
Curtis Bay, MD 21226  
Phone (410) 360-5010  
Fax (877) 377-6466

www.pascospecialty.com

**TECHNICAL SPECIFICATION SUBMITTAL**

Chrome plated steel or stainless steel escutcheon or flange for steel, copper, plastic pipe used in plumbing.

Job Name \_\_\_\_\_ Date \_\_\_\_\_

Model Specified \_\_\_\_\_ Quantity \_\_\_\_\_

Customer/Wholesaler \_\_\_\_\_

Contractor \_\_\_\_\_

Architect/Engineer \_\_\_\_\_

**Engineering Specification: A chrome plated steel or stainless steel escutcheon or flange to cover the connection between a sink drain wall bend and the trap adapter at the sanitary tee or other connections where pipe wall penetrations occur.**

- Sure grip style for snug fit
- Domestic or foreign manufacture

**Chrome Plated Steel**



PART NUMBER	IPS	CWT	OUTSIDE DIAMETER
1224	1-1/2" Tubular		3"
1225	3/8"	--	2-1/2"
1226	1/2"	--	2-1/2"
1227	3/4"	--	2-1/2"
1228	1-1/2"	--	3"
1229	2"	--	3-1/4"
1230	--	1/2"	2-1/2"
1231	--	3/4"	2-1/2"
1232	1-1/4"	1-1/2"	3"
1233	1"	--	2-3/4"
1240	--	2"	3-1/2"
1241	--	1"	2-3/4"
1244	1-1/4" Tubular		3"

**Stainless Steel - Grade 304**

1226-SS	1/2"	--	2-1/2"
1227-SS	3/4"	--	2-1/2"
1228-SS	1-1/2"	--	3-1/2"
1229-SS	2"	--	3-1/2"
1230-SS	--	1/2"	2-1/2"
1231-SS	--	3/4"	2-1/2"
37244	1-1/4" Tubular		3"
37224	1-1/2" Tubular		3"

11/16/10

**Flanges - Escutcheons for Steel, Copper, Plastic Pipe**

tss012

**For Residential and Commercial Applications**

Job Name		Engineer / Architect	
Job Location		Wholesaler	
Submittal Date		Contractor	

**1-\*\*A/ 3-\*\*A Copper Faucet Riser - One-Piece with Insert**

**Use:** For use in potable water distribution systems in accessible locations only.

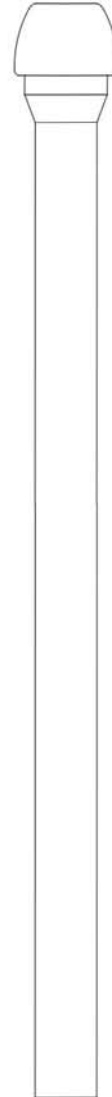
**Design Features:**

- **One-piece** construction
- **Cut-to-Length** for clean, professional installation
- **100% Compliant**

**Operating Specifications:**

**Temperature:** 40°- 180° F  
**Pressure:** 125 PSI maximum

**Tubing Diameter:** 3/8" OD or 1/2" OD



<b>MATERIAL SPECIFICATIONS</b>	
<b>Tube</b>	Copper per ASTM B-68
<b>Insert</b>	POM
<b>Optional Brass Nosepiece</b>	Brass
<b>Optional Cone Washer</b>	Rubber
<b>Optional Brass Ring</b>	Brass

**Part Listing:**

- 1-12A C 3/8" OD tube x 11-1/2" length, chrome plated
- 1-12A CBT 3/8" OD tube x 11-1/2" length, chrome plated, plain package, bulk
- 1-12A C2 3/8" OD tube x 11-1/2" length, chrome plated, 2 pack
- 1-12A R 3/8" OD tube x 11-1/2" length, rough finish
- 1-12A RBT 3/8" OD tube x 11-1/2" length, rough finish, plain package, bulk
- 1-12A R2 3/8" OD tube x 11-1/2" length, rough finish, 2 pack
- 1-12AS C 3/8" OD tube x 11-1/2" length, brass nosepiece, chrome plated
- 1-12AS R 3/8" OD tube x 11-1/2" length, brass nosepiece, rough finish
- 1-12A BZP 3/8" OD tube x 11-1/2" length, oil rubbed bronze, bagged
- 1-12A NPP 3/8" OD tube x 11-1/2" length, polished nickel, bagged
- 1-12A NSP 3/8" OD tube x 11-1/2" length, satin nickel, bagged
- 1-15A C 3/8" OD tube x 14-1/2" length, chrome plated
- 1-15A CBT 3/8" OD tube x 14-1/2" length, chrome plated, plain package, bulk
- 1-15A C2 3/8" OD tube x 14-1/2" length, chrome plated, 2 pack
- 1-15A R 3/8" OD tube x 14-1/2" length, rough finish
- 1-15A RBT 3/8" OD tube x 14-1/2" length, rough finish, plain

*This specification and all information contained herein is the confidential and exclusive property of BrassCraft Manufacturing, and shall not be disclosed to others without the written consent of BrassCraft Mfg. This specification must be returned to BrassCraft Mfg if requested.*



400.200 1-\*\*A/ 3-\*\*A Copper Faucet Riser - One-Piece with Insert REV 10/12

© 2012 BrassCraft Mfg.



## 1-\*\*A/ 3-\*\*A Copper Faucet Riser - One-Piece with Insert

### Part Listing (con't):

<input checked="" type="checkbox"/>	1-20A C	3/8" OD tube x 19-1/2" length, chrome plated
<input type="checkbox"/>	1-20A CBT	3/8" OD tube x 19-1/2" length, chrome plated, plain package, bulk
<input type="checkbox"/>	1-20A CF	3/8" OD tube x 19-1/2" length, chrome plated, flag label
<input type="checkbox"/>	1-20A C2	3/8" OD tube x 19-1/2" length, chrome plated, 2 pack
<input type="checkbox"/>	1-20A R	3/8" OD tube x 19-1/2" length, rough finish
<input type="checkbox"/>	1-20A RBT	3/8" OD tube x 19-1/2" length, rough finish, plain package, bulk
<input type="checkbox"/>	1-20A R2	3/8" OD tube x 19-1/2" length, rough finish, 2 pack
<input type="checkbox"/>	1-20AS C	3/8" OD tube x 19-1/2" length, brass nosepiece, chrome plated
<input type="checkbox"/>	1-20AS R	3/8" OD tube x 19-1/2" length, brass nosepiece, rough finish
<input type="checkbox"/>	1-20A BZP	3/8" OD tube x 19-1/2" length, oil rubbed bronze, bagged
<input type="checkbox"/>	1-20A NPP	3/8" OD tube x 19-1/2" length, polished nickel, bagged
<input type="checkbox"/>	1-20A NSP	3/8" OD tube x 19-1/2" length, satin nickel, bagged
<input type="checkbox"/>	1-20A PP	3/8" OD tube x 19-1/2" length, polished brass, bagged
<input type="checkbox"/>	1-30A C	3/8" OD tube x 29-1/2" length, chrome plated
<input type="checkbox"/>	1-30A CBT	3/8" OD tube x 29-1/2" length, chrome plated, plain package, bulk
<input type="checkbox"/>	1-30A C2	3/8" OD tube x 29-1/2" length, chrome plated, 2 pack
<input type="checkbox"/>	1-30A R	3/8" OD tube x 29-1/2" length, rough finish
<input type="checkbox"/>	1-30A RBT	3/8" OD tube x 29-1/2" length, rough finish, plain package, bulk
<input type="checkbox"/>	1-30A R2	3/8" OD tube x 29-1/2" length, rough finish, 2 pack
<input type="checkbox"/>	1-30AS C	3/8" OD tube x 29-1/2" length, brass nosepiece, chrome plated
<input type="checkbox"/>	1-30AS R	3/8" OD tube x 29-1/2" length, brass nosepiece, rough finish
<input type="checkbox"/>	1-30A BZP	3/8" OD tube x 29-1/2" length, oil rubbed bronze, bagged
<input type="checkbox"/>	1-30A NSP	3/8" OD tube x 29-1/2" length, satin nickel, bagged
<input type="checkbox"/>	1-30A PP	3/8" OD tube x 29-1/2" length, polished brass, bagged
<input type="checkbox"/>	1-36A C	3/8" OD tube x 35-1/2" length, chrome plated
<input type="checkbox"/>	1-36A CBT	3/8" OD tube x 35-1/2" length, chrome plated, plain package, bulk
<input type="checkbox"/>	1-36A C2	3/8" OD tube x 35-1/2" length, chrome plated, 2 pack
<input type="checkbox"/>	1-36A R	3/8" OD tube x 35-1/2" length, rough brass
<input type="checkbox"/>	1-36A RBT	3/8" OD tube x 35-1/2" length, rough brass, plain package, bulk
<input type="checkbox"/>	1-36A R2	3/8" OD tube x 35-1/2" length, rough brass, 2 pack
<input type="checkbox"/>	1-36AS C	3/8" OD tube x 35-1/2" length, brass nosepiece, chrome plated
<input type="checkbox"/>	3-12A C	1/2" OD tube x 11-1/2" length, chrome plated
<input type="checkbox"/>	3-12A CBT	1/2" OD tube x 11-1/2" length, chrome plated, plain package, bulk
<input type="checkbox"/>	3-12A C2	1/2" OD tube x 11-1/2" length, chrome plated, 2 pack
<input type="checkbox"/>	3-12A R	1/2" OD tube x 11-1/2" length, rough finish
<input type="checkbox"/>	3-12A R2	1/2" OD tube x 11-1/2" length, rough brass, 2 pack
<input type="checkbox"/>	3-20A C	1/2" OD tube x 19-1/2" length, chrome plated
<input type="checkbox"/>	3-20A CBT	1/2" OD tube x 19-1/2" length, chrome plated, plain package, bulk
<input type="checkbox"/>	3-20A C2	1/2" OD tube x 19-1/2" length, chrome plated, 2 pack

*This specification and all information contained herein is the confidential and exclusive property of BrassCraft Manufacturing, and shall not be disclosed to others without the written consent of BrassCraft Mfg. This specification must be returned to BrassCraft Mfg if requested.*

400.200 1-\*\*A/ 3-\*\*A Copper Faucet Riser - One-Piece with Insert REV 10/12

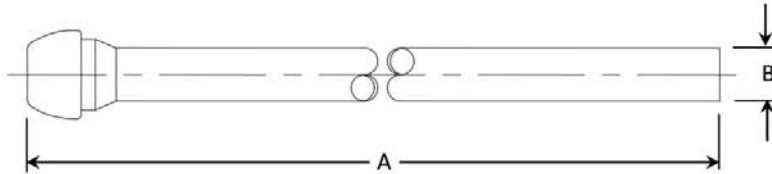
**BrassCraft**<sup>®</sup>

© 2012 BrassCraft Mfg.

## 1-\*\*A/ 3-\*\*A Copper Faucet Riser - One-Piece with Insert

**Part Listing (con't):**

<input type="checkbox"/>	3-20A R	1/2" OD tube x 19-1/2" length, rough finish
<input type="checkbox"/>	3-20A RBT	1/2" OD tube x 19-1/2" length, rough finish, plain package, bulk
<input type="checkbox"/>	3-30A C	1/2" OD tube x 29-1/2" length, chrome plated
<input type="checkbox"/>	3-30A RBT	1/2" OD tube x 29-1/2" length, rough finish, plain package, bulk
<input type="checkbox"/>	3-30A C2	1/2" OD tube x 29-1/2" length, chrome plated, 2 pack
<input type="checkbox"/>	3-30A R	1/2" OD tube x 29-1/2" length, rough finish
<input type="checkbox"/>	3-36A C	1/2" OD tube x 35-1/2" length, chrome plated
<input type="checkbox"/>	3-36A CBT	1/2" OD tube x 35-1/2" length, chrome plated, plain package, bulk
<input type="checkbox"/>	3-36A C2	1/2" OD tube x 35-1/2" length, chrome plated, 2 pack
<input type="checkbox"/>	3-36A R	1/2" OD tube x 35-1/2" length, rough brass
<input type="checkbox"/>	3-36C C	1/2" OD tube x 35-1/2" length, cone washer & brass ring, chrome plated



PART DIMENSIONS (Inches)		
Model	DIM. A	DIA. B
1-12A	11.63	3/8
1-12AS	11.63	3/8
1-15A	14.63	3/8
1-20A	19.63	3/8
1-20A	19.63	3/8
1-30A	29.63	3/8
1-30AS	29.63	3/8

PART DIMENSIONS (Inches)		
Model	DIM. A	DIA. B
1-36A	35.63	3/8
1-36AS	35.63	3/8
3-12A	11.56	1/2
3-20A	19.56	1/2
3-30A	29.56	1/2
3-36A	35.56	1/2
3-36C	35.56	1/2

**Listings & Certifications:**

- IAPMO listed to ASME A112.18.1 / CSA B125.1 (File # 0645)
- CSA listed to ASME A112.18.1 / CSA B125.1 (File # 204593)
- Compliant product CSA listed to Low Lead Content Certification Program – Plumbing Products Class 6853-01



*This specification and all information contained herein is the confidential and exclusive property of BrassCraft Manufacturing, and shall not be disclosed to others without the written consent of BrassCraft Mfg. This specification must be returned to BrassCraft Mfg if requested.*

400.200 1-\*\*A/ 3-\*\*A Copper Faucet Riser - One-Piece with Insert REV 10/12

**BrassCraft®**

© 2012 BrassCraft Mfg.

# YAKIMA VALLEY CLINIC

S-3

---

**ELKAY**<sup>®</sup>  
SPECIFICATIONS

Elkay Lustertone Stainless Steel 21-1/2" x 18-1/2" x 5-3/8"  
Single Bowl Undermount ADA Sink


**Model(s) ELUHAD191655**

**PRODUCT SPECIFICATIONS**

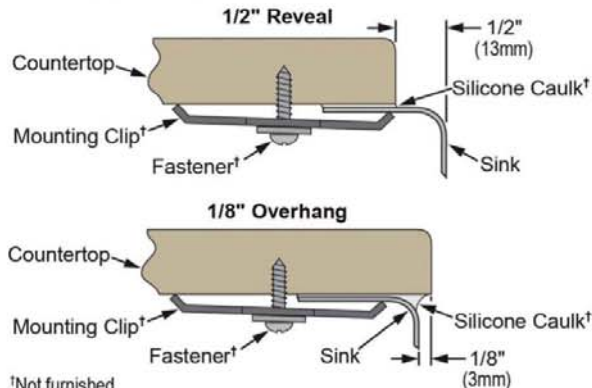
Elkay Lustertone Stainless Steel 21-1/2" x 18-1/2" x 5-3/8", Single Bowl Undermount ADA Sink. Sink is manufactured from 18 gauge 304 Stainless Steel with a Lustertone finish, Rear Center drain placement, and Full spray sides and bottom with Bottom only pads.

<b>Installation Type:</b>	Undermount
<b>Material:</b>	304 Stainless Steel
<b>Finish:</b>	Lustertone
<b>Gauge:</b>	18
<b>Sound Deadening:</b>	Full spray sides and bottom with Bottom only pads
<b>Number of Bowls:</b>	1
<b>Sink Dimensions:</b>	21-1/2" x 18-1/2" x 5-3/8"
<b>Bowl 1 Dimensions:</b>	19" x 16" x 5-3/8"
<b>Drain Size:</b>	3-1/2" (89mm)
<b>Drain Location:</b>	Rear Center
<b>Minimum Cabinet Size:</b>	27"
<b>Mounting Hardware:</b>	Undermount brackets sold separately
<b>Template Included:</b>	Yes
<b>Cutout Template #:</b>	1000001424

Template is available for download at [elkay.com](http://elkay.com)

 This sink is compliant to ADA and ANSI/ICC A117.1 accessibility requirements when installed according to the requirements outlined in these standards.

**Installation Profile:**



<sup>†</sup>Not furnished  
Designed to affix to the underside of any solid surface countertop.



**AMERICAN PRIDE. A LIFETIME TRADITION.**

Like your family, the Elkay family has values and traditions that endure. For almost a century, Elkay has been a family-owned and operated company, providing thousands of jobs that support our families and communities.

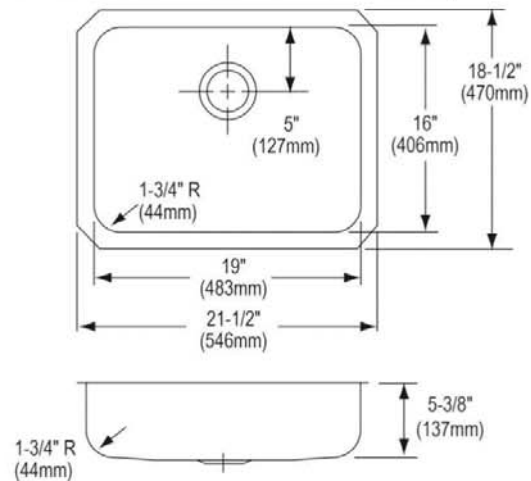


 Sinks are listed by IAPMO<sup>®</sup> as meeting the applicable requirements of the Uniform Plumbing Code<sup>®</sup>, International Plumbing Code<sup>®</sup>, and National Plumbing Code of Canada.

**Product Compliance:** ADA & ICC A117.1  
ASME A112.19.3/CSA B45.4  
BUY AMERICAN ACT

- [Clean and Care Manual \(PDF\)](#)
- [Installation Instructions \(PDF\)](#)
- [Limited Lifetime Warranty \(PDF\)](#)

Similar models are available with: 4-1/2" and 5" depths



PART: \_\_\_\_\_ QTY: \_\_\_\_\_  
 PROJECT: \_\_\_\_\_  
 CONTACT: \_\_\_\_\_  
 DATE: \_\_\_\_\_  
 NOTES: \_\_\_\_\_  
 APPROVAL: \_\_\_\_\_

In keeping with our policy of continuing product improvement, Elkay reserves the right to change product specifications without notice. Please visit [elkay.com](http://elkay.com) for the most current version of Elkay product specification sheets. This specification describes an Elkay product with design, quality, and functional benefits to the user. When making a comparison of other producers' offerings, be certain these features are not overlooked.

**ELKAY®**  
 SPECIFICATIONS

 Elkay Lustertone Stainless Steel 21-1/2" x 18-1/2" x 5-3/8"  
 Single Bowl Undermount ADA Sink  
**Model(s) ELUHAD191655**
**OPTIONAL ACCESSORIES**

<b>Cutting Board:</b>	CBS1316*
<b>Drain:</b>	LK99, LKAD35
<b>Faucet:</b>	LKGT1041, LKGT2041
<b>Hardware:</b>	LKUCLIP8
<b>Rinsing Basket:</b>	LKWRB1418SS, LKWERBSS
<b>Sinkmate:</b>	LKSMHSL
<b>Soap Dispenser:</b>	LKGT1054
* 1/2" sink reveal required for proper fit.	

*In keeping with our policy of continuing product improvement, Elkay reserves the right to change product specifications without notice. Please visit [elkay.com](http://elkay.com) for the most current version of Elkay product specification sheets. This specification describes an Elkay product with design, quality, and functional benefits to the user. When making a comparison of other producers' offerings, be certain these features are not overlooked.*



Buy it for looks. Buy it for life.®

**DESCRIPTION**

- Metal construction with various finishes identified by suffix
- Pullout spray with 59" braided hose
- Flexible supplies with 3/8" compression fittings

**OPERATION**

- Lever style handle
- Temperature controlled by 100° arc of handle travel
- Spout rotation is 120°
- Operates with less than 5lbs. of force
- Operates in stream or spray mode in the pullout or retracted position

**FLOW**

- Flow is limited to 1.5 gpm (5.7 L/min) at 60 psi

**CARTRIDGE**

- 1255™ Duralast™ cartridge

**STANDARDS**

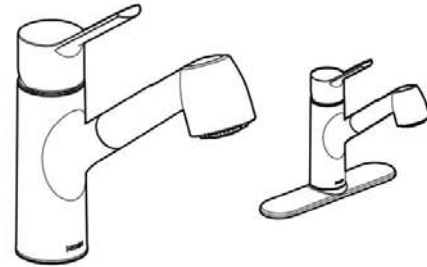
- Third party certified to IAPMO Green, ASME A112.18.1/CSA B-125.1 and all applicable requirements referenced therein including NSF 61/9
- Meets CalGreen and Georgia SB370 requirements
- Contains no more than 0.25% weighted average lead content
- Complies with California Proposition 65 and with the Federal Safe Drinking Water Act
- The backflow protection system in the device consists of two independently operating check valves, a primary and a secondary which prevent backflow

- **ADA** for lever handle

**WARRANTY**

- Lifetime limited warranty against leaks, drips and finish defects to the original consumer purchaser
- 5 year warranty if used in commercial installations

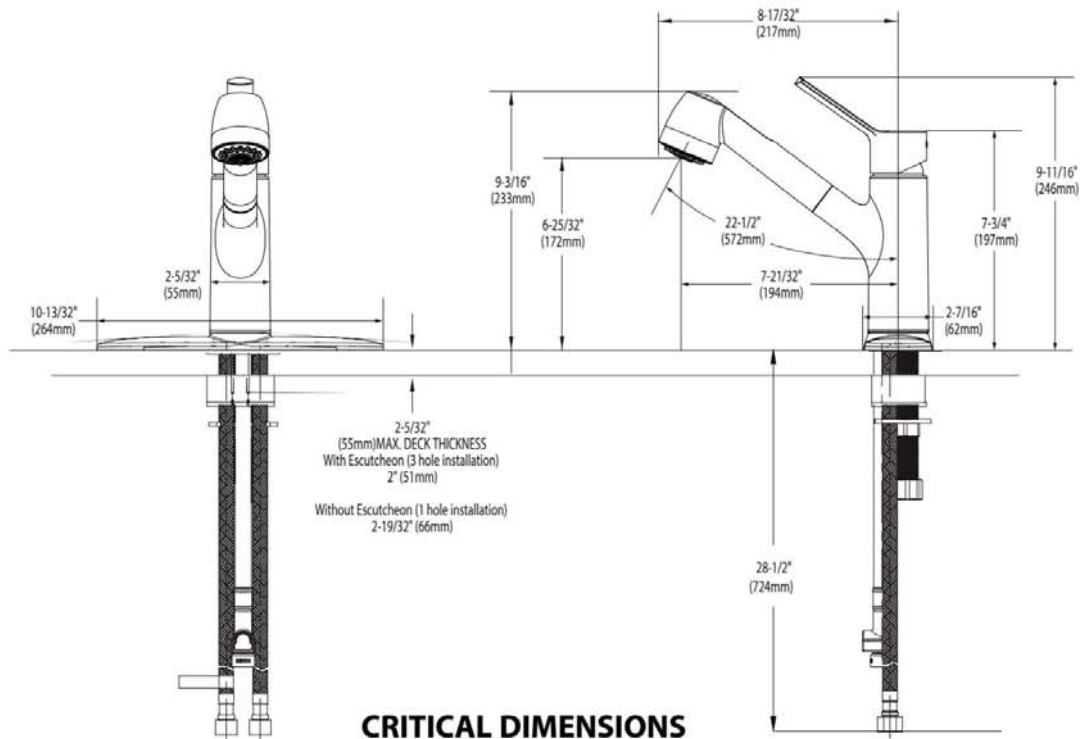
# Specifications



**Method™  
Single Handle Pullout Kitchen Faucet**

→ **Models:** 7585 series

**NOTE:** DESIGNED TO INSTALL THRU 1 OR 3 HOLES 1-1/2" (38mm) DIA.



**CRITICAL DIMENSIONS**

(DO NOT SCALE)

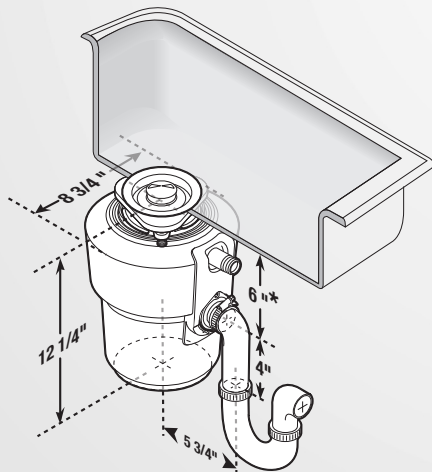
in sink erator®

# Evolution Series®

Grind More. Hear Less.®

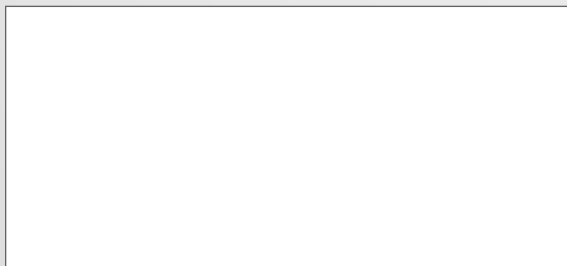


## Dimensions



\* Add 1/2" when stainless steel sinks are used.

## Job Specifications



## Food Waste Disposers

# Evolution Compact®

Compact size food waste disposer.

## Submittal Sheet

Perfect for small households or restricted cabinet space.

- **SoundSeal®** technology delivers quiet performance versus a standard disposer.
- **MultiGrind®** technology delivers 2 stages of grind vs. 1 stage in standard disposer.
- Includes Quiet Collar® sound reducing sink baffle.

## Sample Specification

Food Waste Disposer(s) shall be InSinkErator Model Evolution Compact® with MultiGrind® and SoundSeal® technologies, 3/4 HP motor, Stainless Steel Grind components.

### Warranty:

4-Year parts and in-home service.

\* The complete InSinkErator warranty is included in the Care & Use Booklet packed with each unit.

## Specifications

Type of Feed	Continuous
On/Off Control	Wall Switch
Motor	Single Phase
HP	3/4
Volts	120
HZ	60
RPM	1725
Amp. (Avg. Load)	8.1
Time Rating	Intermittent
Lubrication	Permanently Lubricated Upper & Lower Bearings
Shipping Weight (Approx.)	19.1 lbs.
Unit Finish	Black Enamel Gray
Overall Height	12-1/4"
SoundSeal Technology	Anti-Vibration Mount® Anti-Vibration Tailpipe Mount™ Quiet Collar® Sink Baffle
MultiGrind Technology	GrindShear Ring®
Grind Chamber Capacity	34.6 oz.
Motor Protection	Manual Reset Overload
Average Water Usage	Approx. 1 Gallon Per Person Per Day
Average Electrical Usage	3-4 KWh Per Year
Drain Connection	1-1/2" Anti-Vibration (Hose Clamp)
Dishwasher Drain Connection	Yes



Food waste disposers can provide an environmentally responsible alternative to transporting food waste to landfills. And they can help reduce greenhouse gas emissions. At capable wastewater treatment plants, food waste can be recycled to produce renewable energy. Additionally, capable wastewater treatment plants can process food waste into fertilizer. (Check the plant in your area.)

[www.insinkerator.com/green](http://www.insinkerator.com/green)



The mark of responsible forestry  
BV-COC-080715  
© 1996 Forest Stewardship Council A.C.



**EMERSON™**  
Commercial & Residential Solutions

The Emerson logo is a trademark and service mark of Emerson Electric Co. The mounting collar configuration is a trademark of Emerson Electric Co.

InSinkErator may make improvements and/or changes in the specifications at any time, in its sole discretion, without notice or obligation and further reserves the right to change or discontinue models.

1-800-558-5700

[www.insinkerator.com](http://www.insinkerator.com)



**McGuire Manufacturing Co., Inc.**

60 Grandview Court  
 P.O. Box 746 • Cheshire, CT 06410  
 203-699-1801 • Fax: 203-699-1813  
 www.mcguiremfg.com

**Part No.**

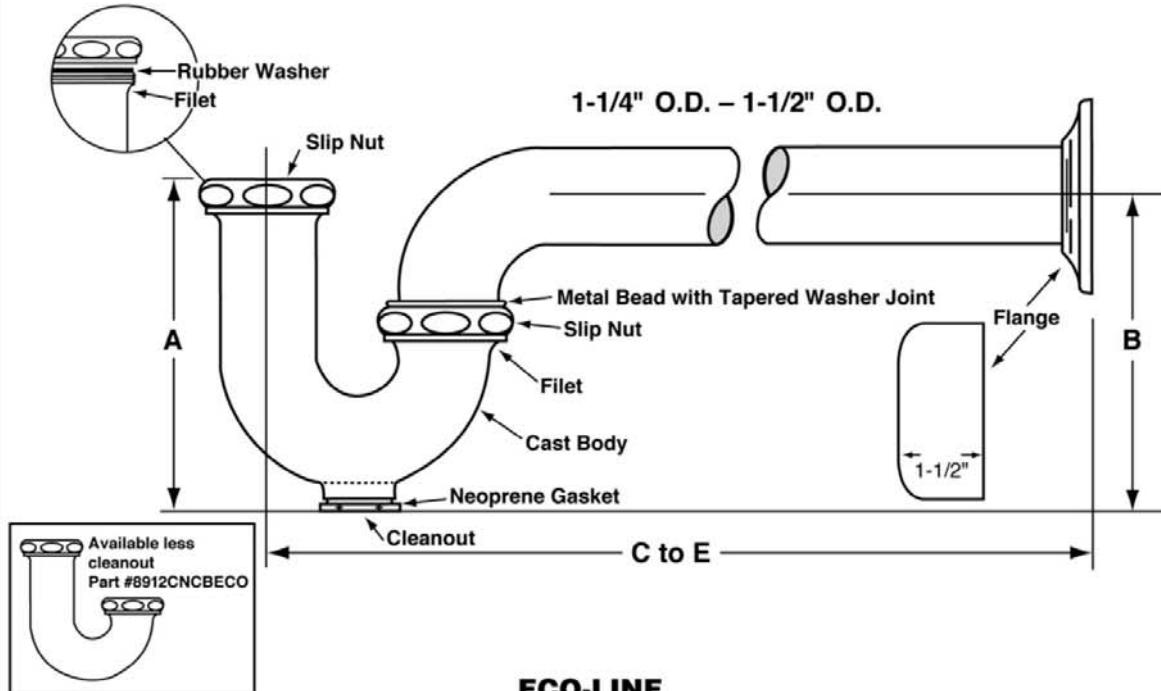
8872CBECO, C8872CECO, 8904CBECO  
 8912CBECO, C8912CECO,  
 8912CNCBECO, 8912C18BECO

**PRODUCT SPECIFICATION**

**Cast Body P-Trap With  
 or Without Cleanout**

**Job Name:**

**Submittal Number:**



**ECO-LINE**

**ROUGHING MEASUREMENTS**

MODEL NO.	TRAP DIMENSIONS		A	B	C to E	FLANGE	SLIP NUT
	INLET	OUTLET					
8872CBECO	1-1/4"	1-1/4"	4-1/2"	4-1/2"	11"	Box	Brass
C8872CECO	1-1/4"	1-1/4"	4-1/2"	4-1/2"	10"	Shallow	Zinc
8904CBECO	1-1/2", 2"	2"	5"	6"	13-1/2"	Box	Brass
8912CBECO	1-1/2", 1-1/4"	1-1/2"	5"	5"	12"	Box	Brass
C8912CECO	1-1/2", 1-1/4"	1-1/2"	5"	5"	10-1/2"	Shallow	Zinc
8912CNCBECO	1-1/2", 1-1/4"	1-1/2"	4-3/4"	4-1/2"	12"	Box	Brass
8912C18BECO	1-1/2", 1-1/4"	1-1/2"	5"	5"	18"	Box	Brass

FED SPEC W.W.P. 541  
 CAST BRASS P-TRAP  
 MINIMUM SEAL 2"



ASME A112.18.1-2011/CSA B125.2-11

**Specifications:**

Chrome plated P-Trap shall be cast brass body, with or without cleanout, with 17 gauge seamless tubular wall bend and flange.





**McGuire Manufacturing Co., Inc.**  
 60 Grandview Court  
 P.O. Box 746 • Cheshire, CT 06410  
 203-699-1801 • Fax: 203-699-1813  
 www.mcguiremfg.com

**PRODUCT SPECIFICATION**

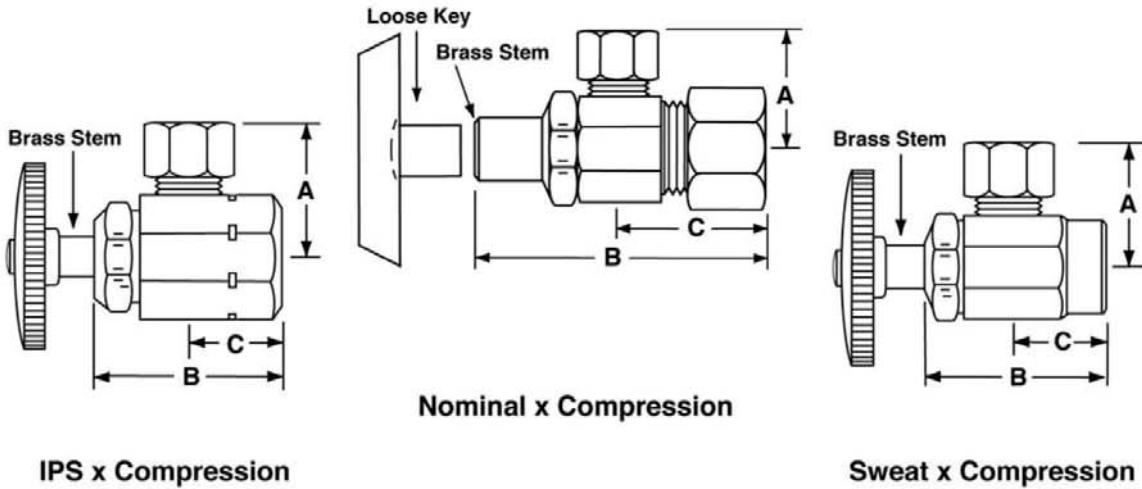
**Part No.**

**LFST02, LFST02LK, LFST04,  
 LFST04LK, LFST07, LFST07LK,  
 LFST09, LFST09LK**

**Angle Supply Stop**

**Job Name:** \_\_\_\_\_

**Submittal Number:** \_\_\_\_\_



**IPS x Compression**

**Nominal x Compression**

**Sweat x Compression**

NO.	DESCRIPTION	ROUGHING MEASUREMENTS		
		A	B	C
LFST02	1/2" IPS x 3/8" OD, Wheel Handle	1-3/16"	1-1/2"	3/4"
LFST02LK	1/2" IPS x 3/8" OD, Loose Key	1-3/16"	2-1/4"	3/4"
LFST04	1/2" IPS x 1/2" OD, Wheel Handle	1-5/16"	1-1/2"	3/4"
LFST04LK	1/2" IPS x 1/2" OD, Loose Key	1-5/16"	2-1/4"	3/4"
LFST07	1/2" Sweat x 3/8" OD, Wheel Handle	1"	1-1/2"	3/4"
LFST07LK	1/2" Sweat x 3/8" OD, Loose Key	1"	2-1/4"	3/4"
LFST09	1/2" Nominal x 3/8" OD, Wheel Handle	1"	1-3/4"	1"
LFST09LK	1/2" Nominal x 3/8" OD, Loose Key	1"	2-3/8"	1"

X designates Cross Handle

LK designates *Loose Key*

See options and accessories section for details on product variations.



**Specifications:**

Chrome plated brass supply stop valve with full turn brass stem. Inlet shall be (3/8, 1/2) inch (IPS, sweat, compression). Outlet shall be (3/8, 1/2) inch (IPS, compression). Supply stop valve shall be McGuire \_\_\_\_\_. Supply stop valve shall be certified or recognized by testing authority and bear manufacturer and testing mark.



**PASCO Specialty & Mfg., Inc.**

11156 Wright Road  
Lynwood, CA 90262  
Phone (310) 537-7782  
Fax (800) 737-2726

7529 Perryman Court  
Curtis Bay, MD 21226  
Phone (410) 360-5010  
Fax (877) 377-6466

www.pascospecialty.com

**TECHNICAL SPECIFICATION SUBMITTAL**

Chrome plated steel or stainless steel escutcheon or flange for steel, copper, plastic pipe used in plumbing.

Job Name \_\_\_\_\_ Date \_\_\_\_\_

Model Specified \_\_\_\_\_ Quantity \_\_\_\_\_

Customer/Wholesaler \_\_\_\_\_

Contractor \_\_\_\_\_

Architect/Engineer \_\_\_\_\_

**Engineering Specification: A chrome plated steel or stainless steel escutcheon or flange to cover the connection between a sink drain wall bend and the trap adapter at the sanitary tee or other connections where pipe wall penetrations occur.**

- Sure grip style for snug fit
- Domestic or foreign manufacture

**Chrome Plated Steel**



PART NUMBER	IPS	CWT	OUTSIDE DIAMETER
1224	1-1/2" Tubular		3"
1225	3/8"	--	2-1/2"
1226	1/2"	--	2-1/2"
1227	3/4"	--	2-1/2"
1228	1-1/2"	--	3"
1229	2"	--	3-1/4"
1230	--	1/2"	2-1/2"
1231	--	3/4"	2-1/2"
1232	1-1/4"	1-1/2"	3"
1233	1"	--	2-3/4"
1240	--	2"	3-1/2"
1241	--	1"	2-3/4"
1244	1-1/4" Tubular		3"

**Stainless Steel - Grade 304**

1226-SS	1/2"	--	2-1/2"
1227-SS	3/4"	--	2-1/2"
1228-SS	1-1/2"	--	3-1/2"
1229-SS	2"	--	3-1/2"
1230-SS	--	1/2"	2-1/2"
1231-SS	--	3/4"	2-1/2"
37244	1-1/4" Tubular		3"
37224	1-1/2" Tubular		3"

11/16/10

**Flanges - Escutcheons for Steel, Copper, Plastic Pipe**

tss012

**For Residential and Commercial Applications**

Job Name		Engineer / Architect	
Job Location		Wholesaler	
Submittal Date		Contractor	

**1-\*\*A/ 3-\*\*A Copper Faucet Riser - One-Piece with Insert**

**Use:** For use in potable water distribution systems in accessible locations only.

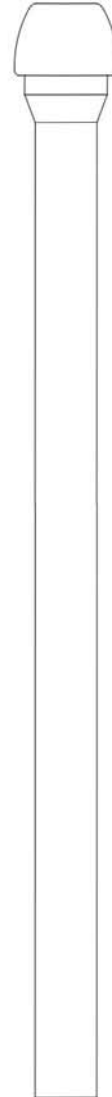
**Design Features:**

- **One-piece** construction
- **Cut-to-Length** for clean, professional installation
- **100% Compliant**

**Operating Specifications:**

**Temperature:** 40°- 180° F  
**Pressure:** 125 PSI maximum

**Tubing Diameter:** 3/8" OD or 1/2" OD



<b>MATERIAL SPECIFICATIONS</b>	
<b>Tube</b>	Copper per ASTM B-68
<b>Insert</b>	POM
<b>Optional Brass Nosepiece</b>	Brass
<b>Optional Cone Washer</b>	Rubber
<b>Optional Brass Ring</b>	Brass

**Part Listing:**

- 1-12A C                    3/8" OD tube x 11-1/2" length, chrome plated
- 1-12A CBT                3/8" OD tube x 11-1/2" length, chrome plated, plain package, bulk
- 1-12A C2                 3/8" OD tube x 11-1/2" length, chrome plated, 2 pack
- 1-12A R                  3/8" OD tube x 11-1/2" length, rough finish
- 1-12A RBT                3/8" OD tube x 11-1/2" length, rough finish, plain package, bulk
- 1-12A R2                 3/8" OD tube x 11-1/2" length, rough finish, 2 pack
- 1-12AS C                 3/8" OD tube x 11-1/2" length, brass nosepiece, chrome plated
- 1-12AS R                 3/8" OD tube x 11-1/2" length, brass nosepiece, rough finish
- 1-12A BZP                3/8" OD tube x 11-1/2" length, oil rubbed bronze, bagged
- 1-12A NPP                3/8" OD tube x 11-1/2" length, polished nickel, bagged
- 1-12A NSP                3/8" OD tube x 11-1/2" length, satin nickel, bagged
- 1-15A C                  3/8" OD tube x 14-1/2" length, chrome plated
- 1-15A CBT                3/8" OD tube x 14-1/2" length, chrome plated, plain package, bulk
- 1-15A C2                 3/8" OD tube x 14-1/2" length, chrome plated, 2 pack
- 1-15A R                  3/8" OD tube x 14-1/2" length, rough finish
- 1-15A RBT                3/8" OD tube x 14-1/2" length, rough finish, plain

*This specification and all information contained herein is the confidential and exclusive property of BrassCraft Manufacturing, and shall not be disclosed to others without the written consent of BrassCraft Mfg. This specification must be returned to BrassCraft Mfg if requested.*



400.200 1-\*\*A/ 3-\*\*A Copper Faucet Riser - One-Piece with Insert REV 10/12

© 2012 BrassCraft Mfg.

## 1-\*\*A/ 3-\*\*A Copper Faucet Riser - One-Piece with Insert

### Part Listing (con't):

<input checked="" type="checkbox"/>	1-20A C	3/8" OD tube x 19-1/2" length, chrome plated
<input type="checkbox"/>	1-20A CBT	3/8" OD tube x 19-1/2" length, chrome plated, plain package, bulk
<input type="checkbox"/>	1-20A CF	3/8" OD tube x 19-1/2" length, chrome plated, flag label
<input type="checkbox"/>	1-20A C2	3/8" OD tube x 19-1/2" length, chrome plated, 2 pack
<input type="checkbox"/>	1-20A R	3/8" OD tube x 19-1/2" length, rough finish
<input type="checkbox"/>	1-20A RBT	3/8" OD tube x 19-1/2" length, rough finish, plain package, bulk
<input type="checkbox"/>	1-20A R2	3/8" OD tube x 19-1/2" length, rough finish, 2 pack
<input type="checkbox"/>	1-20AS C	3/8" OD tube x 19-1/2" length, brass nosepiece, chrome plated
<input type="checkbox"/>	1-20AS R	3/8" OD tube x 19-1/2" length, brass nosepiece, rough finish
<input type="checkbox"/>	1-20A BZP	3/8" OD tube x 19-1/2" length, oil rubbed bronze, bagged
<input type="checkbox"/>	1-20A NPP	3/8" OD tube x 19-1/2" length, polished nickel, bagged
<input type="checkbox"/>	1-20A NSP	3/8" OD tube x 19-1/2" length, satin nickel, bagged
<input type="checkbox"/>	1-20A PP	3/8" OD tube x 19-1/2" length, polished brass, bagged
<input type="checkbox"/>	1-30A C	3/8" OD tube x 29-1/2" length, chrome plated
<input type="checkbox"/>	1-30A CBT	3/8" OD tube x 29-1/2" length, chrome plated, plain package, bulk
<input type="checkbox"/>	1-30A C2	3/8" OD tube x 29-1/2" length, chrome plated, 2 pack
<input type="checkbox"/>	1-30A R	3/8" OD tube x 29-1/2" length, rough finish
<input type="checkbox"/>	1-30A RBT	3/8" OD tube x 29-1/2" length, rough finish, plain package, bulk
<input type="checkbox"/>	1-30A R2	3/8" OD tube x 29-1/2" length, rough finish, 2 pack
<input type="checkbox"/>	1-30AS C	3/8" OD tube x 29-1/2" length, brass nosepiece, chrome plated
<input type="checkbox"/>	1-30AS R	3/8" OD tube x 29-1/2" length, brass nosepiece, rough finish
<input type="checkbox"/>	1-30A BZP	3/8" OD tube x 29-1/2" length, oil rubbed bronze, bagged
<input type="checkbox"/>	1-30A NSP	3/8" OD tube x 29-1/2" length, satin nickel, bagged
<input type="checkbox"/>	1-30A PP	3/8" OD tube x 29-1/2" length, polished brass, bagged
<input type="checkbox"/>	1-36A C	3/8" OD tube x 35-1/2" length, chrome plated
<input type="checkbox"/>	1-36A CBT	3/8" OD tube x 35-1/2" length, chrome plated, plain package, bulk
<input type="checkbox"/>	1-36A C2	3/8" OD tube x 35-1/2" length, chrome plated, 2 pack
<input type="checkbox"/>	1-36A R	3/8" OD tube x 35-1/2" length, rough brass
<input type="checkbox"/>	1-36A RBT	3/8" OD tube x 35-1/2" length, rough brass, plain package, bulk
<input type="checkbox"/>	1-36A R2	3/8" OD tube x 35-1/2" length, rough brass, 2 pack
<input type="checkbox"/>	1-36AS C	3/8" OD tube x 35-1/2" length, brass nosepiece, chrome plated
<input type="checkbox"/>	3-12A C	1/2" OD tube x 11-1/2" length, chrome plated
<input type="checkbox"/>	3-12A CBT	1/2" OD tube x 11-1/2" length, chrome plated, plain package, bulk
<input type="checkbox"/>	3-12A C2	1/2" OD tube x 11-1/2" length, chrome plated, 2 pack
<input type="checkbox"/>	3-12A R	1/2" OD tube x 11-1/2" length, rough finish
<input type="checkbox"/>	3-12A R2	1/2" OD tube x 11-1/2" length, rough brass, 2 pack
<input type="checkbox"/>	3-20A C	1/2" OD tube x 19-1/2" length, chrome plated
<input type="checkbox"/>	3-20A CBT	1/2" OD tube x 19-1/2" length, chrome plated, plain package, bulk
<input type="checkbox"/>	3-20A C2	1/2" OD tube x 19-1/2" length, chrome plated, 2 pack

*This specification and all information contained herein is the confidential and exclusive property of BrassCraft Manufacturing, and shall not be disclosed to others without the written consent of BrassCraft Mfg. This specification must be returned to BrassCraft Mfg if requested.*

400.200 1-\*\*A/ 3-\*\*A Copper Faucet Riser - One-Piece with Insert REV 10/12

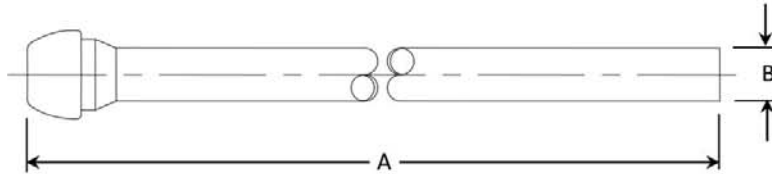
**BrassCraft**<sup>®</sup>

© 2012 BrassCraft Mfg.

## 1-\*\*A/ 3-\*\*A Copper Faucet Riser - One-Piece with Insert

**Part Listing (con't):**

<input type="checkbox"/>	3-20A R	1/2" OD tube x 19-1/2" length, rough finish
<input type="checkbox"/>	3-20A RBT	1/2" OD tube x 19-1/2" length, rough finish, plain package, bulk
<input type="checkbox"/>	3-30A C	1/2" OD tube x 29-1/2" length, chrome plated
<input type="checkbox"/>	3-30A RBT	1/2" OD tube x 29-1/2" length, rough finish, plain package, bulk
<input type="checkbox"/>	3-30A C2	1/2" OD tube x 29-1/2" length, chrome plated, 2 pack
<input type="checkbox"/>	3-30A R	1/2" OD tube x 29-1/2" length, rough finish
<input type="checkbox"/>	3-36A C	1/2" OD tube x 35-1/2" length, chrome plated
<input type="checkbox"/>	3-36A CBT	1/2" OD tube x 35-1/2" length, chrome plated, plain package, bulk
<input type="checkbox"/>	3-36A C2	1/2" OD tube x 35-1/2" length, chrome plated, 2 pack
<input type="checkbox"/>	3-36A R	1/2" OD tube x 35-1/2" length, rough brass
<input type="checkbox"/>	3-36C C	1/2" OD tube x 35-1/2" length, cone washer & brass ring, chrome plated



PART DIMENSIONS (Inches)		
Model	DIM. A	DIA. B
1-12A	11.63	3/8
1-12AS	11.63	3/8
1-15A	14.63	3/8
1-20A	19.63	3/8
1-20A	19.63	3/8
1-30A	29.63	3/8
1-30AS	29.63	3/8

PART DIMENSIONS (Inches)		
Model	DIM. A	DIA. B
1-36A	35.63	3/8
1-36AS	35.63	3/8
3-12A	11.56	1/2
3-20A	19.56	1/2
3-30A	29.56	1/2
3-36A	35.56	1/2
3-36C	35.56	1/2

**Listings & Certifications:**

- IAPMO listed to ASME A112.18.1 / CSA B125.1 (File # 0645)
- CSA listed to ASME A112.18.1 / CSA B125.1 (File # 204593)
- Compliant product CSA listed to Low Lead Content Certification Program – Plumbing Products Class 6853-01



*This specification and all information contained herein is the confidential and exclusive property of BrassCraft Manufacturing, and shall not be disclosed to others without the written consent of BrassCraft Mfg. This specification must be returned to BrassCraft Mfg if requested.*

400.200 1-\*\*A/ 3-\*\*A Copper Faucet Riser - One-Piece with Insert REV 10/12

**BrassCraft®**

© 2012 BrassCraft Mfg.

# YAKIMA VALLEY CLINIC

S-4

---

# ELKAY<sup>®</sup> SPECIFICATIONS

## Elkay Lustertone Stainless Steel 31-3/4" x 16-1/2" x 5-3/8" Equal Double Bowl Undermount ADA Sink


**Model(s) ELUHAD321655**

### PRODUCT SPECIFICATIONS

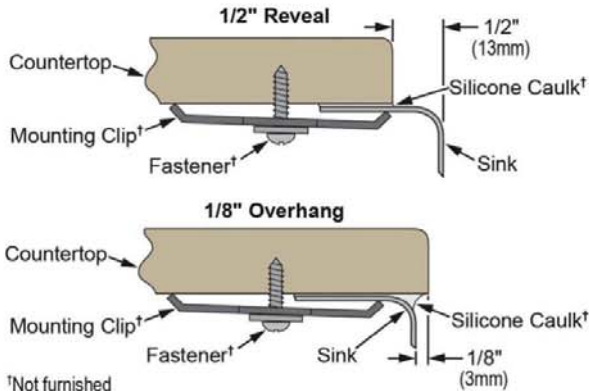
Elkay Lustertone Stainless Steel 31-3/4" x 16-1/2" x 5-3/8", Equal Double Bowl Undermount ADA Sink. Sink is manufactured from 18 gauge 304 Stainless Steel with a Lustertone finish, Rear Center drain placement, and Full spray sides and bottom with Bottom only pads.

<b>Installation Type:</b>	Undermount
<b>Material:</b>	304 Stainless Steel
<b>Finish:</b>	Lustertone
<b>Gauge:</b>	18
<b>Sound Deadening:</b>	Full spray sides and bottom with Bottom only pads
<b>Number of Bowls:</b>	2
<b>Sink Dimensions:</b>	31-3/4" x 16-1/2" x 5-3/8"
<b>Bowl 1 Dimensions:</b>	14" x 14" x 5-3/8"
<b>Bowl 2 Dimensions:</b>	14" x 14" x 5-3/8"
<b>Drain Size:</b>	3-1/2" (89mm)
<b>Drain Location:</b>	Rear Center
<b>Minimum Cabinet Size:</b>	36"
<b>Mounting Hardware:</b>	Undermount brackets sold separately
<b>Template Included:</b>	Yes
<b>Cutout Template #:</b>	1000001292

Template is available for download at [elkay.com](http://elkay.com)

 This sink is compliant to ADA and ANSI/ICC A117.1 accessibility requirements when installed according to the requirements outlined in these standards.

#### Installation Profile:



<sup>†</sup>Not furnished

Designed to affix to the underside of any solid surface countertop.



#### AMERICAN PRIDE. A LIFETIME TRADITION.

Like your family, the Elkay family has values and traditions that endure. For almost a century, Elkay has been a family-owned and operated company, providing thousands of jobs that support our families and communities.



 Sinks are listed by IAPMO<sup>®</sup> as meeting the applicable requirements of the Uniform Plumbing Code<sup>®</sup>, International Plumbing Code<sup>®</sup>, and National Plumbing Code of Canada.

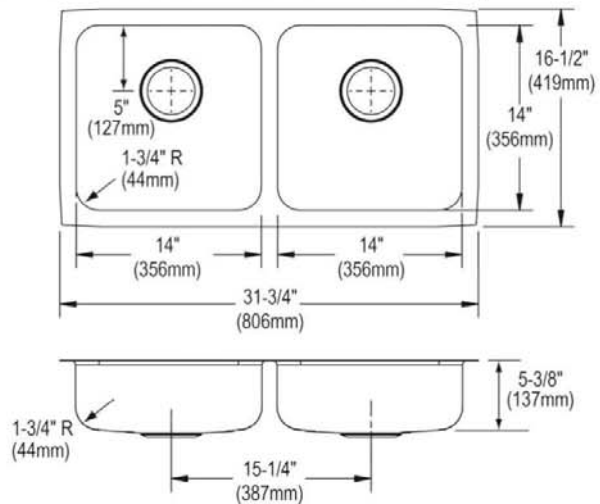
**Product Compliance:** ADA & ICC A117.1  
ASME A112.19.3/CSA B45.4  
BUY AMERICAN ACT

[Clean and Care Manual \(PDF\)](#)

[Installation Instructions \(PDF\)](#)

[Limited Lifetime Warranty \(PDF\)](#)

Similar models are available with: 4-1/2" and 5" depths



PART: \_\_\_\_\_ QTY: \_\_\_\_\_  
 PROJECT: \_\_\_\_\_  
 CONTACT: \_\_\_\_\_  
 DATE: \_\_\_\_\_  
 NOTES: \_\_\_\_\_  
 APPROVAL: \_\_\_\_\_

In keeping with our policy of continuing product improvement, Elkay reserves the right to change product specifications without notice. Please visit [elkay.com](http://elkay.com) for the most current version of Elkay product specification sheets. This specification describes an Elkay product with design, quality, and functional benefits to the user. When making a comparison of other producers' offerings, be certain these features are not overlooked.

Elkay REV 05242017  
ELUHAD321655

2222 Camden Court  
Oak Brook, IL 60523

© 2017 Page 1 of 2  
ELUHAD321655\_spec.pdf

**ELKAY®**  
 SPECIFICATIONS

 Elkay Lustertone Stainless Steel 31-3/4" x 16-1/2" x 5-3/8"  
 Equal Double Bowl Undermount ADA Sink  
**Model(s) ELUHAD321655**
**OPTIONAL ACCESSORIES**

<b>Bottom Grid:</b>	LKWBG1414SS
<b>Cutting Board:</b>	CB1613*
<b>Drain:</b>	LK99, LKAD35
<b>Faucet:</b>	LKGT1041, LKGT2041
<b>Hardware:</b>	LKUCLIP8 (2 Required)
<b>Rinsing Basket:</b>	LKWRB1414SS
<b>Sinkmate:</b>	LKSMHSL
<b>Soap Dispenser:</b>	LKGT1054
* 1/2" sink reveal required for proper fit.	

*In keeping with our policy of continuing product improvement, Elkay reserves the right to change product specifications without notice. Please visit [elkay.com](http://elkay.com) for the most current version of Elkay product specification sheets. This specification describes an Elkay product with design, quality, and functional benefits to the user. When making a comparison of other producers' offerings, be certain these features are not overlooked.*





Buy it for looks. Buy it for life.®

**DESCRIPTION**

- Metal construction with various finishes identified by suffix
- Pullout spray with 59" braided hose
- Flexible supplies with 3/8" compression fittings

**OPERATION**

- Lever style handle
- Temperature controlled by 100° arc of handle travel
- Spout rotation is 120°
- Operates with less than 5lbs. of force
- Operates in stream or spray mode in the pullout or retracted position

**FLOW**

- Flow is limited to 1.5 gpm (5.7 L/min) at 60 psi

**CARTRIDGE**

- 1255™ Duralast™ cartridge

**STANDARDS**

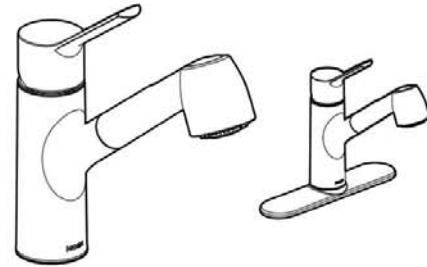
- Third party certified to IAPMO Green, ASME A112.18.1/CSA B-125.1 and all applicable requirements referenced therein including NSF 61/9
- Meets CalGreen and Georgia SB370 requirements
- Contains no more than 0.25% weighted average lead content
- Complies with California Proposition 65 and with the Federal Safe Drinking Water Act
- The backflow protection system in the device consists of two independently operating check valves, a primary and a secondary which prevent backflow

- **ADA** for lever handle

**WARRANTY**

- Lifetime limited warranty against leaks, drips and finish defects to the original consumer purchaser
- 5 year warranty if used in commercial installations

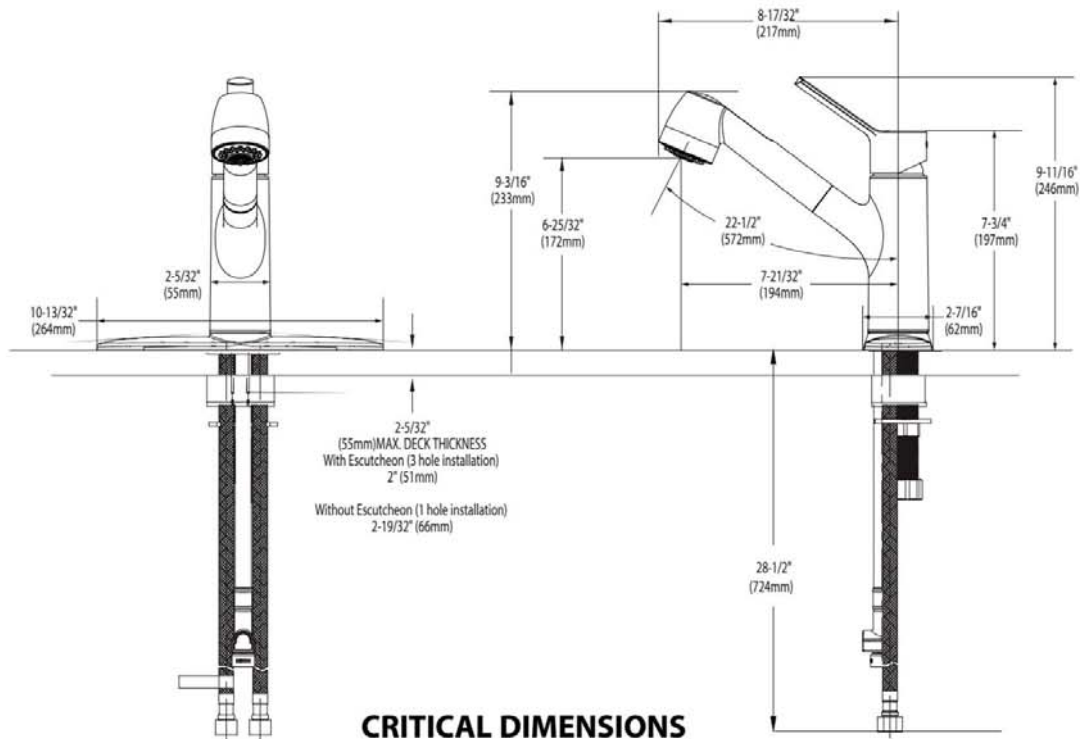
# Specifications



**Method™  
Single Handle Pullout Kitchen Faucet**

→ **Models:** 7585 series

**NOTE:** DESIGNED TO INSTALL THRU 1 OR 3 HOLES 1-1/2" (38mm) DIA.



**CRITICAL DIMENSIONS**

(DO NOT SCALE)

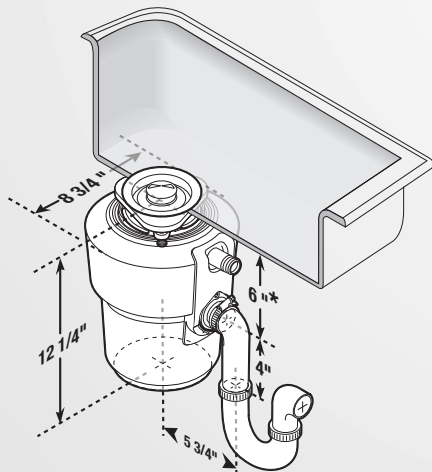
in sink erator®

# Evolution Series®

Grind More. Hear Less.®

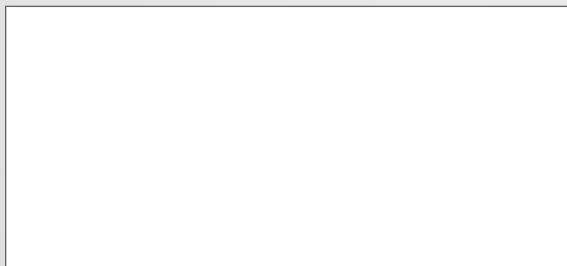


## Dimensions



\* Add 1/2" when stainless steel sinks are used.

## Job Specifications



## Food Waste Disposers

# Evolution Compact®

Compact size food waste disposer.

## Submittal Sheet

Perfect for small households or restricted cabinet space.

- **SoundSeal®** technology delivers quiet performance versus a standard disposer.
- **MultiGrind®** technology delivers 2 stages of grind vs. 1 stage in standard disposer.
- Includes Quiet Collar® sound reducing sink baffle.

## Specifications

Type of Feed	Continuous
On/Off Control	Wall Switch
Motor	Single Phase
HP	3/4
Volts	120
HZ	60
RPM	1725
Amp. (Avg. Load)	8.1
Time Rating	Intermittent
Lubrication	Permanently Lubricated Upper & Lower Bearings
Shipping Weight (Approx.)	19.1 lbs.
Unit Finish	Black Enamel Gray
Overall Height	12-1/4"
SoundSeal Technology	Anti-Vibration Mount® Anti-Vibration Tailpipe Mount™ Quiet Collar® Sink Baffle
MultiGrind Technology	GrindShear Ring®
Grind Chamber Capacity	34.6 oz.
Motor Protection	Manual Reset Overload
Average Water Usage	Approx. 1 Gallon Per Person Per Day
Average Electrical Usage	3-4 KWh Per Year
Drain Connection	1-1/2" Anti-Vibration (Hose Clamp)
Dishwasher Drain Connection	Yes

## Sample Specification

Food Waste Disposer(s) shall be InSinkErator Model Evolution Compact® with MultiGrind® and SoundSeal® technologies, 3/4 HP motor, Stainless Steel Grind components.

### Warranty:

4-Year parts and in-home service.

\* The complete InSinkErator warranty is included in the Care & Use Booklet packed with each unit.



Food waste disposers can provide an environmentally responsible alternative to transporting food waste to landfills. And they can help reduce greenhouse gas emissions. At capable wastewater treatment plants, food waste can be recycled to produce renewable energy. Additionally, capable wastewater treatment plants can process food waste into fertilizer. (Check the plant in your area.)

[www.insinkerator.com/green](http://www.insinkerator.com/green)



The mark of responsible forestry  
BV-COC-080715  
© 1996 Forest Stewardship Council A.C.



**EMERSON™**  
Commercial & Residential Solutions

The Emerson logo is a trademark and service mark of Emerson Electric Co. The mounting collar configuration is a trademark of Emerson Electric Co.

InSinkErator may make improvements and/or changes in the specifications at any time, in its sole discretion, without notice or obligation and further reserves the right to change or discontinue models.

1-800-558-5700

[www.insinkerator.com](http://www.insinkerator.com)

# ELKAY<sup>®</sup>

## SPECIFICATIONS

### Sink Accessories Drain Fitting Models LK18, LK18B, LKVR18, LKVR18B and LK372

#### DESIGN FEATURES

##### LK18

- Nickel plated brass body with grid strainer
- Fits 3-1/2" (89mm) opening
- Polished finish
- Nickel plated brass 1-1/2" (38mm) x 4" (102mm) tailpiece

##### LK18B

- Type 304 stainless steel body with grid strainer
- Fits 3-1/2" (89mm) opening
- Polished finish
- Type 304 stainless steel 1-1/2" (38mm) x 4" (102mm) tailpiece

##### LK372

- Type 316 stainless steel body with grid strainer
- Fits 3-1/2" (89mm) opening
- Polished finish
- Type 316 stainless steel 1-1/2" (38mm) x 4" (102mm) tailpiece

##### LKVR18

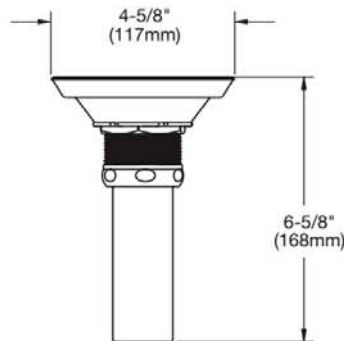
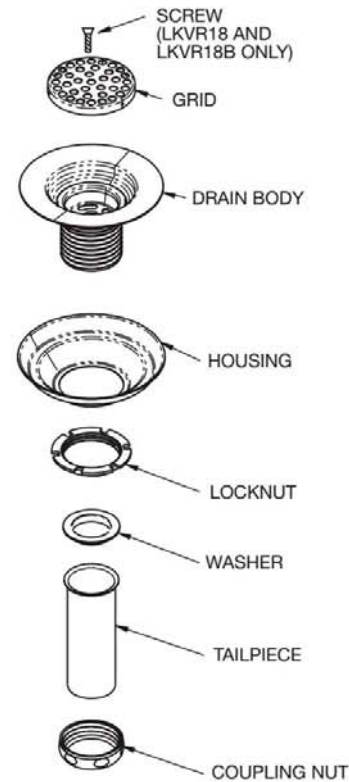
- Nickel plated brass body with vandal resistant grid strainer
- Fits 3-1/2" (89mm) opening
- Polished finish
- Nickel plated brass 1-1/2" (38mm) x 4" (102mm) tailpiece

##### LKVR18B

- Type 304 stainless steel body with vandal resistant grid strainer
- Fits 3-1/2" (89mm) opening
- Polished finish
- Type 304 stainless steel 1-1/2" (38mm) x 4" (102mm) tailpiece



Model LK18




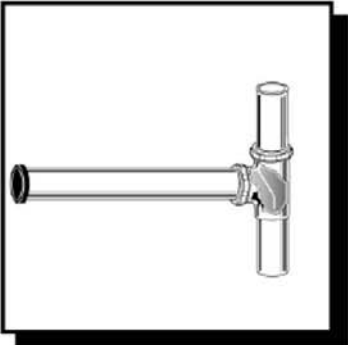
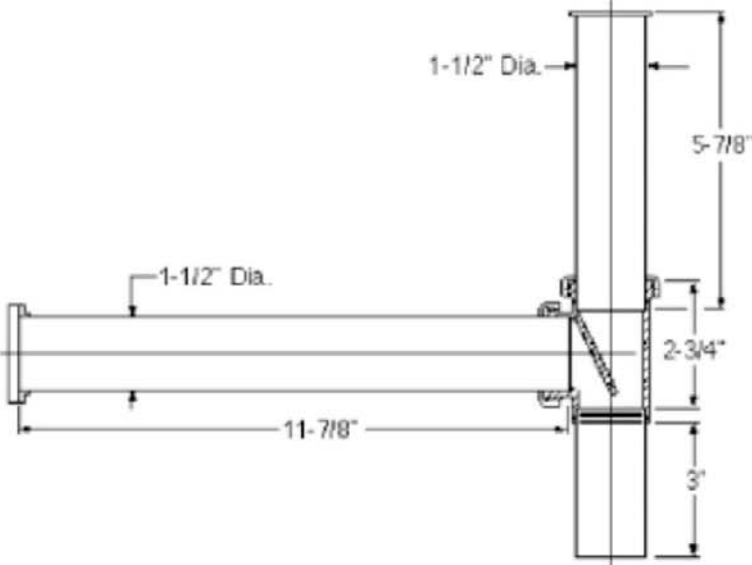
In keeping with our policy of continuing product improvement, Elkay reserves the right to change product specifications without notice. Please visit [elkayusa.com](http://elkayusa.com) for most current version of Elkay product specification sheets.

This specification describes an Elkay product with design, quality and functional benefits to the user. When making a comparison of other producers' offerings, be certain these features are not overlooked.

**Elkay**  
[elkayusa.com](http://elkayusa.com)

2222 Camden Court  
Oak Brook, IL 60523

Printed in U.S.A.  
©2008 Elkay  
(Rev. 10/08) 15-13D

 <p><b>Dearborn® Brass</b></p> <p>4675 W. 160th St. Cleveland, Ohio 44135 Ph: (800) 321-9532 Fax: (800) 321-9535 www.dearbornbrass.com</p> <p><b>SUBMITTAL SPECIFICATION</b></p>	<p><b>BRASS TUBULAR 1-½" CENTER TO END DISPOSER KITS</b></p>																				
<p><b>Engineering Specification:</b> Dearborn Brass 1-½" Center to End Brass Tubular Disposer Kits are designed for use in tubular drain applications. Available in 17, 20 or Budget Gauge Brass.</p>	<p><b>Job Reference</b></p>																				
<p><b>DESCRIPTION</b></p> <ul style="list-style-type: none"> <li>• Chrome Finish</li> <li>• Brass Tubular Disposer Kits             <ul style="list-style-type: none"> <li>○ Threaded Tailpiece</li> <li>○ 6" Sink Strainer Tailpiece</li> <li>○ 12" Sink Strainer Tailpiece</li> <li>○ 1-½" Tee with Baffle</li> <li>○ Rubber Discharge Gasket</li> <li>○ (2) Zinc Nuts</li> <li>○ (2) Rubber Washers</li> </ul> </li> </ul> <div style="text-align: right;">  </div> <div style="text-align: center;">  </div>																					
<table border="1" style="width: 100%; border-collapse: collapse;"> <thead> <tr> <th style="width: 5%;"></th> <th style="width: 15%;">Product No.</th> <th style="width: 55%;">Description</th> <th style="width: 15%;">Carton Quantity</th> <th style="width: 10%;">Carton Weight (lbs)</th> </tr> </thead> <tbody> <tr> <td style="text-align: center;">✓</td> <td>100-22-1</td> <td>1-½" x 13" Center to End Disposer Kit – Budget Gauge</td> <td style="text-align: center;">10</td> <td style="text-align: center;">15</td> </tr> <tr> <td></td> <td>100-20-1</td> <td>1-½" x 13" Center to End Disposer Kit – 20 Gauge</td> <td style="text-align: center;">10</td> <td style="text-align: center;">18</td> </tr> <tr> <td style="text-align: center;">✓</td> <td>100-17-1</td> <td>1-½" x 13" Center to End Disposer Kit – 17 Gauge</td> <td style="text-align: center;">10</td> <td style="text-align: center;">21</td> </tr> </tbody> </table> <p>Data is subject to manufacturing tolerances.</p>			Product No.	Description	Carton Quantity	Carton Weight (lbs)	✓	100-22-1	1-½" x 13" Center to End Disposer Kit – Budget Gauge	10	15		100-20-1	1-½" x 13" Center to End Disposer Kit – 20 Gauge	10	18	✓	100-17-1	1-½" x 13" Center to End Disposer Kit – 17 Gauge	10	21
	Product No.	Description	Carton Quantity	Carton Weight (lbs)																	
✓	100-22-1	1-½" x 13" Center to End Disposer Kit – Budget Gauge	10	15																	
	100-20-1	1-½" x 13" Center to End Disposer Kit – 20 Gauge	10	18																	
✓	100-17-1	1-½" x 13" Center to End Disposer Kit – 17 Gauge	10	21																	

Visit [www.dearbornbrass.com](http://www.dearbornbrass.com) for updates

03/2009



**McGuire Manufacturing Co., Inc.**

60 Grandview Court  
 P.O. Box 746 • Cheshire, CT 06410  
 203-699-1801 • Fax: 203-699-1813  
 www.mcguiremfg.com

**PRODUCT SPECIFICATION**

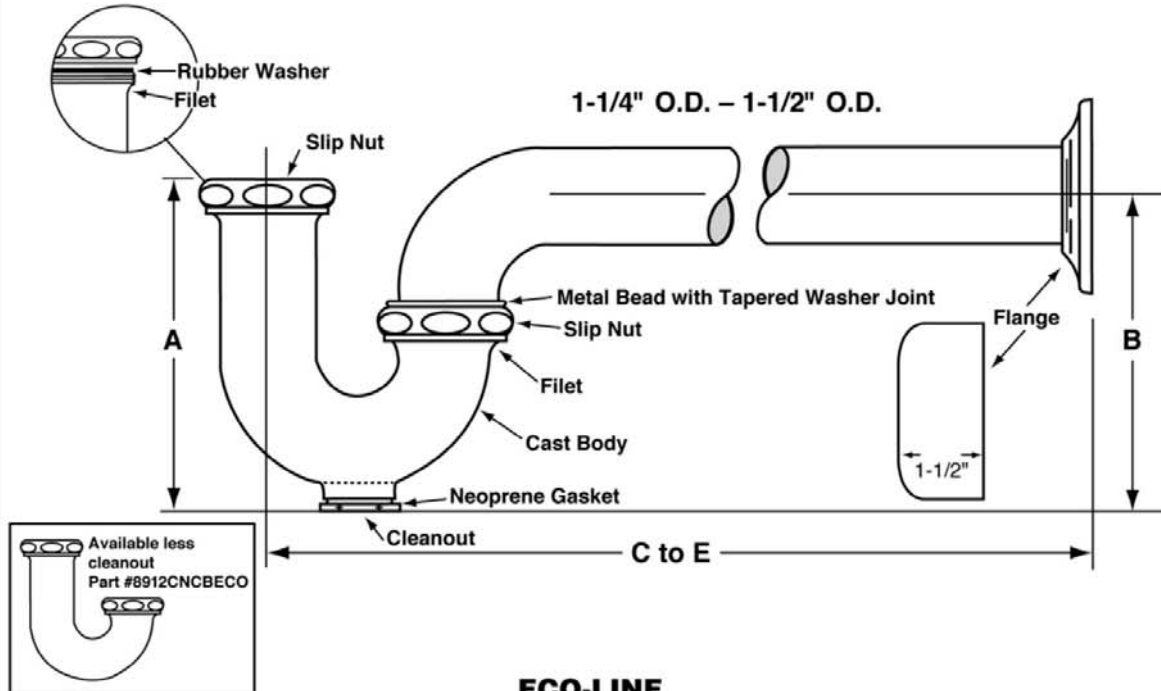
**Part No.**

8872CBECO, C8872CECO, 8904CBECO  
 8912CBECO, C8912CECO,  
 8912CNCBECO, 8912C18BECO

**Cast Body P-Trap With  
 or Without Cleanout**

**Job Name:**

**Submittal Number:**



**ECO-LINE**

**ROUGHING MEASUREMENTS**

MODEL NO.	TRAP DIMENSIONS		A	B	C to E	FLANGE	SLIP NUT
	INLET	OUTLET					
8872CBECO	1-1/4"	1-1/4"	4-1/2"	4-1/2"	11"	Box	Brass
C8872CECO	1-1/4"	1-1/4"	4-1/2"	4-1/2"	10"	Shallow	Zinc
8904CBECO	1-1/2", 2"	2"	5"	6"	13-1/2"	Box	Brass
8912CBECO	1-1/2", 1-1/4"	1-1/2"	5"	5"	12"	Box	Brass
C8912CECO	1-1/2", 1-1/4"	1-1/2"	5"	5"	10-1/2"	Shallow	Zinc
8912CNCBECO	1-1/2", 1-1/4"	1-1/2"	4-3/4"	4-1/2"	12"	Box	Brass
8912C18BECO	1-1/2", 1-1/4"	1-1/2"	5"	5"	18"	Box	Brass

FED SPEC W.W.P. 541  
 CAST BRASS P-TRAP  
 MINIMUM SEAL 2"



ASME A112.18.1-2011/CSA B125.2-11

**Specifications:**

Chrome plated P-Trap shall be cast brass body, with or without cleanout, with 17 gauge seamless tubular wall bend and flange.



**McGuire Manufacturing Co., Inc.**  
 60 Grandview Court  
 P.O. Box 746 • Cheshire, CT 06410  
 203-699-1801 • Fax: 203-699-1813  
 www.mcguiremfg.com

**PRODUCT SPECIFICATION**

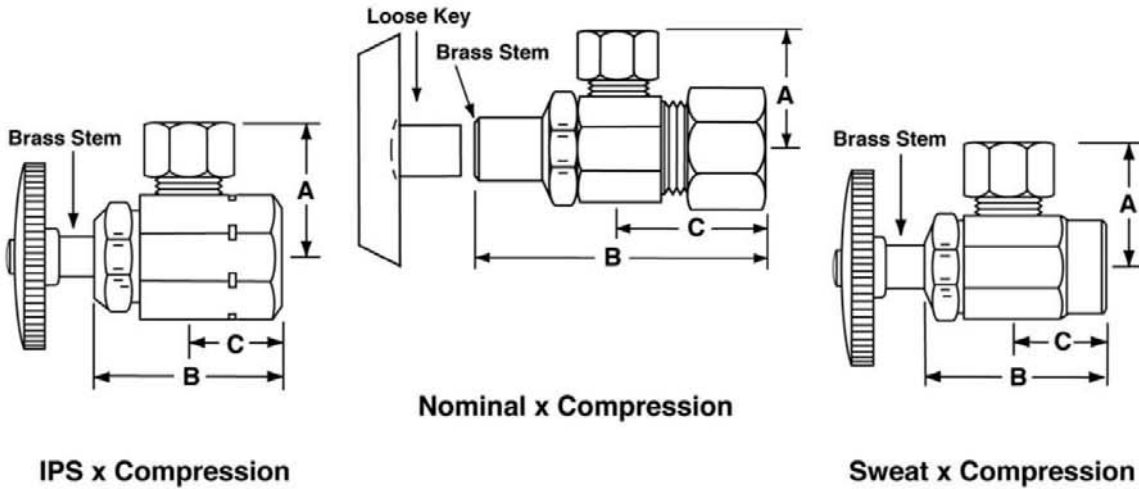
**Part No.**

**LFST02, LFST02LK, LFST04,  
 LFST04LK, LFST07, LFST07LK,  
 LFST09, LFST09LK**

**Angle Supply Stop**

**Job Name:** \_\_\_\_\_

**Submittal Number:** \_\_\_\_\_



**IPS x Compression**

**Nominal x Compression**

**Sweat x Compression**

NO.	DESCRIPTION	ROUGHING MEASUREMENTS		
		A	B	C
LFST02	1/2" IPS x 3/8" OD, Wheel Handle	1-3/16"	1-1/2"	3/4"
LFST02LK	1/2" IPS x 3/8" OD, Loose Key	1-3/16"	2-1/4"	3/4"
LFST04	1/2" IPS x 1/2" OD, Wheel Handle	1-5/16"	1-1/2"	3/4"
LFST04LK	1/2" IPS x 1/2" OD, Loose Key	1-5/16"	2-1/4"	3/4"
LFST07	1/2" Sweat x 3/8" OD, Wheel Handle	1"	1-1/2"	3/4"
LFST07LK	1/2" Sweat x 3/8" OD, Loose Key	1"	2-1/4"	3/4"
LFST09	1/2" Nominal x 3/8" OD, Wheel Handle	1"	1-3/4"	1"
LFST09LK	1/2" Nominal x 3/8" OD, Loose Key	1"	2-3/8"	1"

X designates Cross Handle

LK designates *Loose Key*

See options and accessories section for details on product variations.



**Specifications:**

Chrome plated brass supply stop valve with full turn brass stem. Inlet shall be (3/8, 1/2) inch (IPS, sweat, compression). Outlet shall be (3/8, 1/2) inch (IPS, compression). Supply stop valve shall be McGuire \_\_\_\_\_. Supply stop valve shall be certified or recognized by testing authority and bear manufacturer and testing mark.



**PASCO Specialty & Mfg., Inc.**

11156 Wright Road  
Lynwood, CA 90262  
Phone (310) 537-7782  
Fax (800) 737-2726

7529 Perryman Court  
Curtis Bay, MD 21226  
Phone (410) 360-5010  
Fax (877) 377-6466

www.pascospecialty.com

**TECHNICAL SPECIFICATION SUBMITTAL**

Chrome plated steel or stainless steel escutcheon or flange for steel, copper, plastic pipe used in plumbing.

Job Name \_\_\_\_\_ Date \_\_\_\_\_

Model Specified \_\_\_\_\_ Quantity \_\_\_\_\_

Customer/Wholesaler \_\_\_\_\_

Contractor \_\_\_\_\_

Architect/Engineer \_\_\_\_\_

**Engineering Specification: A chrome plated steel or stainless steel escutcheon or flange to cover the connection between a sink drain wall bend and the trap adapter at the sanitary tee or other connections where pipe wall penetrations occur.**

- Sure grip style for snug fit
- Domestic or foreign manufacture

**Chrome Plated Steel**



PART NUMBER	IPS	CWT	OUTSIDE DIAMETER
1224	1-1/2" Tubular		3"
1225	3/8"	--	2-1/2"
1226	1/2"	--	2-1/2"
1227	3/4"	--	2-1/2"
1228	1-1/2"	--	3"
1229	2"	--	3-1/4"
1230	--	1/2"	2-1/2"
1231	--	3/4"	2-1/2"
1232	1-1/4"	1-1/2"	3"
1233	1"	--	2-3/4"
1240	--	2"	3-1/2"
1241	--	1"	2-3/4"
1244	1-1/4" Tubular		3"

**Stainless Steel - Grade 304**

1226-SS	1/2"	--	2-1/2"
1227-SS	3/4"	--	2-1/2"
1228-SS	1-1/2"	--	3-1/2"
1229-SS	2"	--	3-1/2"
1230-SS	--	1/2"	2-1/2"
1231-SS	--	3/4"	2-1/2"
37244	1-1/4" Tubular		3"
37224	1-1/2" Tubular		3"

11/16/10

**Flanges - Escutcheons for Steel, Copper, Plastic Pipe**

tss012

**For Residential and Commercial Applications**

Job Name		Engineer / Architect	
Job Location		Wholesaler	
Submittal Date		Contractor	

**1-\*\*A/ 3-\*\*A Copper Faucet Riser - One-Piece with Insert**

**Use:** For use in potable water distribution systems in accessible locations only.

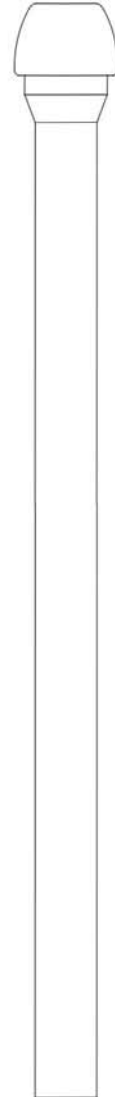
**Design Features:**

- **One-piece** construction
- **Cut-to-Length** for clean, professional installation
- **100% Compliant**

**Operating Specifications:**

**Temperature:** 40°- 180° F  
**Pressure:** 125 PSI maximum

**Tubing Diameter:** 3/8" OD or 1/2" OD



<b>MATERIAL SPECIFICATIONS</b>	
<b>Tube</b>	Copper per ASTM B-68
<b>Insert</b>	POM
<b>Optional Brass Nosepiece</b>	Brass
<b>Optional Cone Washer</b>	Rubber
<b>Optional Brass Ring</b>	Brass

**Part Listing:**

- 1-12A C                    3/8" OD tube x 11-1/2" length, chrome plated
- 1-12A CBT                3/8" OD tube x 11-1/2" length, chrome plated, plain package, bulk
- 1-12A C2                 3/8" OD tube x 11-1/2" length, chrome plated, 2 pack
- 1-12A R                  3/8" OD tube x 11-1/2" length, rough finish
- 1-12A RBT                3/8" OD tube x 11-1/2" length, rough finish, plain package, bulk
- 1-12A R2                 3/8" OD tube x 11-1/2" length, rough finish, 2 pack
- 1-12AS C                 3/8" OD tube x 11-1/2" length, brass nosepiece, chrome plated
- 1-12AS R                 3/8" OD tube x 11-1/2" length, brass nosepiece, rough finish
- 1-12A BZP                3/8" OD tube x 11-1/2" length, oil rubbed bronze, bagged
- 1-12A NPP                3/8" OD tube x 11-1/2" length, polished nickel, bagged
- 1-12A NSP                3/8" OD tube x 11-1/2" length, satin nickel, bagged
- 1-15A C                    3/8" OD tube x 14-1/2" length, chrome plated
- 1-15A CBT                3/8" OD tube x 14-1/2" length, chrome plated, plain package, bulk
- 1-15A C2                 3/8" OD tube x 14-1/2" length, chrome plated, 2 pack
- 1-15A R                  3/8" OD tube x 14-1/2" length, rough finish
- 1-15A RBT                3/8" OD tube x 14-1/2" length, rough finish, plain

*This specification and all information contained herein is the confidential and exclusive property of BrassCraft Manufacturing, and shall not be disclosed to others without the written consent of BrassCraft Mfg. This specification must be returned to BrassCraft Mfg if requested.*

400.200 1-\*\*A/ 3-\*\*A Copper Faucet Riser - One-Piece with Insert REV 10/12



© 2012 BrassCraft Mfg.



## 1-\*\*A/ 3-\*\*A Copper Faucet Riser - One-Piece with Insert

### Part Listing (con't):

<input checked="" type="checkbox"/>	1-20A C	3/8" OD tube x 19-1/2" length, chrome plated
<input type="checkbox"/>	1-20A CBT	3/8" OD tube x 19-1/2" length, chrome plated, plain package, bulk
<input type="checkbox"/>	1-20A CF	3/8" OD tube x 19-1/2" length, chrome plated, flag label
<input type="checkbox"/>	1-20A C2	3/8" OD tube x 19-1/2" length, chrome plated, 2 pack
<input type="checkbox"/>	1-20A R	3/8" OD tube x 19-1/2" length, rough finish
<input type="checkbox"/>	1-20A RBT	3/8" OD tube x 19-1/2" length, rough finish, plain package, bulk
<input type="checkbox"/>	1-20A R2	3/8" OD tube x 19-1/2" length, rough finish, 2 pack
<input type="checkbox"/>	1-20AS C	3/8" OD tube x 19-1/2" length, brass nosepiece, chrome plated
<input type="checkbox"/>	1-20AS R	3/8" OD tube x 19-1/2" length, brass nosepiece, rough finish
<input type="checkbox"/>	1-20A BZP	3/8" OD tube x 19-1/2" length, oil rubbed bronze, bagged
<input type="checkbox"/>	1-20A NPP	3/8" OD tube x 19-1/2" length, polished nickel, bagged
<input type="checkbox"/>	1-20A NSP	3/8" OD tube x 19-1/2" length, satin nickel, bagged
<input type="checkbox"/>	1-20A PP	3/8" OD tube x 19-1/2" length, polished brass, bagged
<input type="checkbox"/>	1-30A C	3/8" OD tube x 29-1/2" length, chrome plated
<input type="checkbox"/>	1-30A CBT	3/8" OD tube x 29-1/2" length, chrome plated, plain package, bulk
<input type="checkbox"/>	1-30A C2	3/8" OD tube x 29-1/2" length, chrome plated, 2 pack
<input type="checkbox"/>	1-30A R	3/8" OD tube x 29-1/2" length, rough finish
<input type="checkbox"/>	1-30A RBT	3/8" OD tube x 29-1/2" length, rough finish, plain package, bulk
<input type="checkbox"/>	1-30A R2	3/8" OD tube x 29-1/2" length, rough finish, 2 pack
<input type="checkbox"/>	1-30AS C	3/8" OD tube x 29-1/2" length, brass nosepiece, chrome plated
<input type="checkbox"/>	1-30AS R	3/8" OD tube x 29-1/2" length, brass nosepiece, rough finish
<input type="checkbox"/>	1-30A BZP	3/8" OD tube x 29-1/2" length, oil rubbed bronze, bagged
<input type="checkbox"/>	1-30A NSP	3/8" OD tube x 29-1/2" length, satin nickel, bagged
<input type="checkbox"/>	1-30A PP	3/8" OD tube x 29-1/2" length, polished brass, bagged
<input type="checkbox"/>	1-36A C	3/8" OD tube x 35-1/2" length, chrome plated
<input type="checkbox"/>	1-36A CBT	3/8" OD tube x 35-1/2" length, chrome plated, plain package, bulk
<input type="checkbox"/>	1-36A C2	3/8" OD tube x 35-1/2" length, chrome plated, 2 pack
<input type="checkbox"/>	1-36A R	3/8" OD tube x 35-1/2" length, rough brass
<input type="checkbox"/>	1-36A RBT	3/8" OD tube x 35-1/2" length, rough brass, plain package, bulk
<input type="checkbox"/>	1-36A R2	3/8" OD tube x 35-1/2" length, rough brass, 2 pack
<input type="checkbox"/>	1-36AS C	3/8" OD tube x 35-1/2" length, brass nosepiece, chrome plated
<input type="checkbox"/>	3-12A C	1/2" OD tube x 11-1/2" length, chrome plated
<input type="checkbox"/>	3-12A CBT	1/2" OD tube x 11-1/2" length, chrome plated, plain package, bulk
<input type="checkbox"/>	3-12A C2	1/2" OD tube x 11-1/2" length, chrome plated, 2 pack
<input type="checkbox"/>	3-12A R	1/2" OD tube x 11-1/2" length, rough finish
<input type="checkbox"/>	3-12A R2	1/2" OD tube x 11-1/2" length, rough brass, 2 pack
<input type="checkbox"/>	3-20A C	1/2" OD tube x 19-1/2" length, chrome plated
<input type="checkbox"/>	3-20A CBT	1/2" OD tube x 19-1/2" length, chrome plated, plain package, bulk
<input type="checkbox"/>	3-20A C2	1/2" OD tube x 19-1/2" length, chrome plated, 2 pack

*This specification and all information contained herein is the confidential and exclusive property of BrassCraft Manufacturing, and shall not be disclosed to others without the written consent of BrassCraft Mfg. This specification must be returned to BrassCraft Mfg if requested.*

400.200 1-\*\*A/ 3-\*\*A Copper Faucet Riser - One-Piece with Insert REV 10/12

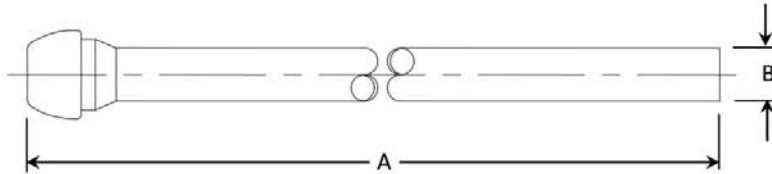
**BrassCraft**<sup>®</sup>

© 2012 BrassCraft Mfg.

## 1-\*\*A/ 3-\*\*A Copper Faucet Riser - One-Piece with Insert

**Part Listing (con't):**

<input type="checkbox"/>	3-20A R	1/2" OD tube x 19-1/2" length, rough finish
<input type="checkbox"/>	3-20A RBT	1/2" OD tube x 19-1/2" length, rough finish, plain package, bulk
<input type="checkbox"/>	3-30A C	1/2" OD tube x 29-1/2" length, chrome plated
<input type="checkbox"/>	3-30A RBT	1/2" OD tube x 29-1/2" length, rough finish, plain package, bulk
<input type="checkbox"/>	3-30A C2	1/2" OD tube x 29-1/2" length, chrome plated, 2 pack
<input type="checkbox"/>	3-30A R	1/2" OD tube x 29-1/2" length, rough finish
<input type="checkbox"/>	3-36A C	1/2" OD tube x 35-1/2" length, chrome plated
<input type="checkbox"/>	3-36A CBT	1/2" OD tube x 35-1/2" length, chrome plated, plain package, bulk
<input type="checkbox"/>	3-36A C2	1/2" OD tube x 35-1/2" length, chrome plated, 2 pack
<input type="checkbox"/>	3-36A R	1/2" OD tube x 35-1/2" length, rough brass
<input type="checkbox"/>	3-36C C	1/2" OD tube x 35-1/2" length, cone washer & brass ring, chrome plated



PART DIMENSIONS (Inches)		
Model	DIM. A	DIA. B
1-12A	11.63	3/8
1-12AS	11.63	3/8
1-15A	14.63	3/8
1-20A	19.63	3/8
1-20A	19.63	3/8
1-30A	29.63	3/8
1-30AS	29.63	3/8

PART DIMENSIONS (Inches)		
Model	DIM. A	DIA. B
1-36A	35.63	3/8
1-36AS	35.63	3/8
3-12A	11.56	1/2
3-20A	19.56	1/2
3-30A	29.56	1/2
3-36A	35.56	1/2
3-36C	35.56	1/2

**Listings & Certifications:**

- IAPMO listed to ASME A112.18.1 / CSA B125.1 (File # 0645)
- CSA listed to ASME A112.18.1 / CSA B125.1 (File # 204593)
- Compliant product CSA listed to Low Lead Content Certification Program – Plumbing Products Class 6853-01



*This specification and all information contained herein is the confidential and exclusive property of BrassCraft Manufacturing, and shall not be disclosed to others without the written consent of BrassCraft Mfg. This specification must be returned to BrassCraft Mfg if requested.*

400.200 1-\*\*A/ 3-\*\*A Copper Faucet Riser - One-Piece with Insert REV 10/12

**BrassCraft®**

© 2012 BrassCraft Mfg.

# YAKIMA VALLEY CLINIC

EWH-1

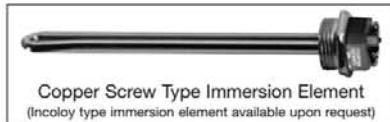
---



## Electri-Flex™ LD (Light Duty) Commercial Upright Electric Water Heater



Photo is of  
LE250S3-3



### The Electri-Flex™ LD Upright Electric Models Feature:

- **Fully Automatic Controls**—Fast-acting surface-mount thermostats for automatic temperature control. Factory-installed sensitive manual reset energy cutoff for safety to prevent overheating.
- **Direct Heat Transfer With Immersed Elements**—Transfers heat directly and efficiently to the water. Screw-in style.
- **Factory-Installed Hydrojet® Total Performance System**—Cold water inlet sediment reducing device helps prevent sediment build-up in tank. Increases first hour delivery of hot water while minimizing temperature build-up in tank.
- **Vitraglas® Lining**—Bradford White tanks are lined with an exclusively engineered enamel formula that provides superior tank protection from the highly corrosive effects of hot water. This formula (Vitraglas®) is fused to the steel surface by firing at a temperature of over 1600°F (871°C).
- **2" Non-CFC Foam Insulation**—Covers the sides and top of tank, reducing the amount of heat loss. This results in less energy consumption, improved operation efficiencies, and jacket rigidity.
- **Water Connections**—3/4" NPT factory-installed true dielectric fittings extend water heater life and ease installation (LE2120T has 1" NPT dielectric waterway fittings).
- **Factory-Installed Heat Traps**—Design incorporates a flexible disk that reduces heat loss in piping and eliminates the potential for noise generation (Except LE2120T).
- **Protective Magnesium Anode Rod**—Provides added protection against corrosion for long trouble-free service.
- **Steel Tank**—Heavy gauge steel automatically formed, rolled, and welded.
- **Field Convertible**—Units are shipped from factory standard Three Phase, Non-Simultaneous and can be converted to Single Phase and/or Simultaneous operation in the field.
- **Field Conversion Kits**—Change voltage and kW in the field (see options on following page).
- **T&P Relief Valve Installed**—All models have special tapping on top of tank.



### 3 or 5-Year Limited Tank Warranties / 1-Year Limited Warranty on Component Parts.

For more information on warranty, please visit [www.bradfordwhite.com](http://www.bradfordwhite.com)

For products installed in USA, Canada and Puerto Rico. Some states do not allow limitations on warranties. See complete copy of the warranty included with the heater.

MANUFACTURED UNDER ONE OR MORE OF THE FOLLOWING U.S. PATENTS: 5,682,666; 7,634,976; 5,660,165; 5,954,492; 6,056,542; 6,935,280; 5,372,185; 5,485,879; 5,574,822; 7,971,560; 7,992,526; 6,684,821; 6,442,178; 7,334,419; 7,866,168; 7,270,087; 7,007,748; 5,596,952; 6,142,216; 7,699,026; 5,341,770; 7,337,517; 7,665,211; 7,665,210; 7,063,132; 7,063,133; 7,559,293; 7,900,589; 5,943,984; 8,082,888; 5,988,117; 7,621,238; 7,650,859; 5,761,379; 7,409,925; 5,277,171; 8,146,772; 7,458,341; 2,262,174. OTHER U.S. AND FOREIGN PATENT APPLICATIONS PENDING. CURRENT CANADIAN PATENTS: 2,314,845; 2,504,824; 2,108,186; 2,143,031; 2,409,271; 2,548,958; 2,112,515; 2,476,685; 2,239,007; 2,092,105; 2,107,012. Vitraglas® and Hydrojet® are registered trademarks of Bradford White® Corporation.

1410-A 1215

# Commercial Electric Water Heater

## Electri-Flex™ LD Upright Models

Meet or exceed ASHRAE 90.1b (current standard) C.E.C. Listed

Model Number	Capacity		Recovery 100°F Rise		A Floor to Heater Top	B Jacket Dia.	C Floor to Water Conn.	D Floor to T&P Conn.	Approx. Shipping Weight
	U.S. Gal.	Imp. Gal.	U.S. GPH*	Imp. GPH*	in.	in.	in.	in.	lbs.
LE230S3-3	30	25	18	15	46 <sup>7</sup> / <sub>8</sub>	18	48 <sup>1</sup> / <sub>8</sub>	47 <sup>9</sup> / <sub>16</sub>	85
LE240S3-3	40	33	18	15	46 <sup>7</sup> / <sub>8</sub>	20	47 <sup>7</sup> / <sub>8</sub>	46 <sup>7</sup> / <sub>8</sub>	103
LE250S3-3	50	42	18	15	46 <sup>7</sup> / <sub>2</sub>	22	47 <sup>1</sup> / <sub>2</sub>	46 <sup>1</sup> / <sub>2</sub>	130
LE265T3-3	65	54	18	15	59 <sup>1</sup> / <sub>4</sub>	22	60 <sup>1</sup> / <sub>4</sub>	59 <sup>1</sup> / <sub>4</sub>	156
LE280T3-3	80	67	18	15	59 <sup>1</sup> / <sub>4</sub>	24	60 <sup>1</sup> / <sub>4</sub>	59 <sup>1</sup> / <sub>4</sub>	183
LE2120T3-3	119	99	18	15	62 <sup>1</sup> / <sub>4</sub>	28	64 <sup>1</sup> / <sub>4</sub>	62 <sup>1</sup> / <sub>4</sub>	305

Model Number	Capacity		Recovery 56°C Rise	A Floor to Heater Top	B Jacket Dia.	C Floor to Water Conn.	D Floor to T&P Conn.	Approx. Shipping Weight
	Liters	Liters/ Hour*	mm.	mm.	mm.	mm.	kg.	
LE230S3-3	114	68	1191	457	1222	1199	39	
LE240S3-3	151	68	1191	508	1216	1191	47	
LE250S3-3	189	68	1181	559	1207	1181	59	
LE265T3-3	246	68	1505	559	1530	1505	71	
LE280T3-3	303	68	1505	610	1530	1505	83	
LE2120T3-3	450	68	1594	711	1632	1581	138	

Specify wattage and voltage when ordering. Use chart below for maximum wattages at certain voltages For 5 year models, change suffix "3" to "5".  
 \*Based on 4500W/4500W, Non-Simultaneous operation. NSF Kits available when ordering.

Wattage Limitations for Non-Simultaneous and Simultaneous Operation	Voltage					Recovery ▲ GPH Temperature Rise °F
	120V	208V	240V	277V	480V	
1500W / 1500W	yes	yes	yes	yes	yes	10 8 7 6 5
2000W / 2000W	no	yes	yes	yes	yes	14 10 9 8 7
2500W / 2500W	no	yes	yes	yes	yes	17 13 11 10 9
3000W / 3000W	no	yes	yes	yes	yes	21 15 14 12 10
3500W / 3500W	no	yes	yes	yes	no	24 18 16 14 12
4000W / 4000W	no	yes	yes	no	no	28 21 18 16 14
4500W / 4500W	no	yes	yes	yes	yes	31 23 21 18 15
5000W / 5000W	no	yes	yes	yes	yes	34 26 23 21 17
5500W / 5500W	no	no	yes	no	no	38 29 25 23 19
6000W / 6000W	no	no	no	yes	yes	41 31 28 25 21

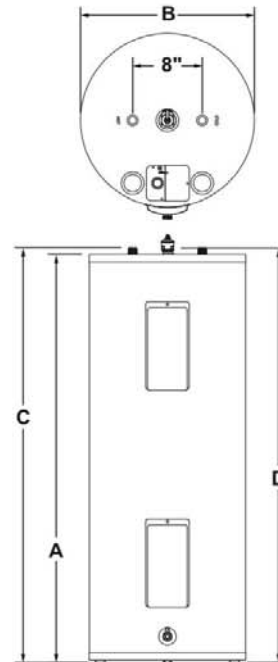
1PH

▲(GPH based on Non-Simultaneous operation, when Simultaneous operation the GPH will approximately double.)

### Voltage and Wattage Conversion Kits

Simultaneous and Non-Simultaneous Wattage	Voltage				
	120V	208V	240V	277V	480V
1500W / 1500W	265-46409-01	265-46409-05	265-46409-13	265-46409-16	265-46409-32
2000W / 2000W	N/A	265-46409-06	265-46409-05	265-46409-17	265-46409-33
2500W / 2500W	N/A	265-46409-07	265-46409-06	265-46409-18	265-46409-34
3000W / 3000W	N/A	265-46409-08	265-46409-14	265-46409-19	265-46409-35
3500W / 3500W	N/A	265-46409-09	265-46409-07	N/A	N/A
4000W / 4000W	N/A	265-46409-10	265-46409-08	265-46409-20	265-46409-36
4500W / 4500W	N/A	265-46409-11	265-46409-09	265-46409-21	265-46409-37
5000W / 5000W	N/A	265-46409-12	265-46409-15	265-46409-22	265-46409-38
5500W / 5500W	N/A	N/A	265-46409-10	265-46409-40**	265-46409-42**
6000W / 6000W	N/A	N/A	N/A	265-46409-23	265-46409-39

Note: Chart can be used to determine maximum wattage at certain voltages. \*\*Incoloy element only. Each kit will include two replacement elements, two gaskets, a rating plate overlay and one set of instructions. For water heaters with only one element, please retain the extra element and gasket as a service part.



### General:

All models are exempt from NAECA requirements.  
 All models ETL listed. These heaters are wired inter-locking (Non-Simultaneous, Three Phase) 240V with two 4500W elements, unless otherwise specified.  
 All water and electrical connections are 3/4" NPT (19mm), 120 gallon model has 1" NPT (25mm).  
 All models certified at 300 psi test pressure (2068 kPa) and 150 psi working pressure (1034 kPa.)

Dimensions and specifications subject to change without notice in accordance with our policy of continuous product improvement.



For U.S. and Canada field service, contact your professional installer or local Bradford White sales representative.  
 Sales 800-523-2931 • Fax 215-641-1670 / Technical Support 800-334-3393 • Fax 269-795-1089 • Warranty 800-531-2111 • Fax 269-795-1089  
 International: Telephone 215-641-9400 • Telefax 215-641-9750 / www.bradfordwhite.com



Sales / Technical Support 866-690-0961 / 905-238-0100 • Fax 905-238-0105 / www.bradfordwhite.com

**Built to be the Best™**

**For Residential and Commercial Applications**

Job Name		Engineer / Architect	
Job Location		Wholesaler	
Submittal Date		Contractor	

**WB00/ WB10 7/8" OD Copper Water Heater Connectors –  
Female Iron Pipe x Female Iron Pipe**

**Use:** For use in exposed locations only to connect water heaters and other water connected devices to the water supply

**Design Features:**

- **Superior galvanic corrosion resistance.** Patented internal dielectric sleeve effectively isolates dissimilar metals within the waterway to prevent galvanic corrosion
- **No dielectric union needed** with installation. Dielectric is built-in to the design of the connector
- **Less torque to seal** against the pliable rubber washer, especially on rough nipple surfaces
- **Longer connector nuts** allow a greater number of thread-to-thread contacts and a better seal
- **100% Compliant (WB00 only)**

**Operating Specifications:**

**Temperature:** 40° - 180° F (NSF61 maximum 82° C)  
**Pressure:** water pressures up to 125 PSI maximum

CONNECTOR MATERIAL SPECIFICATIONS	
<b>Tube</b>	Copper
<b>Dielectric Sleeve</b>	Polypropylene
<b>Nut</b>	Brass
<b>End Fitting</b>	Brass
<b>Washer</b>	Rubber

**Part Listing:**

- WB00-12N 7/8" OD X 12" connector with 3/4" FIP x 3/4" FIP end fittings
- WB00-15N 7/8" OD X 15" connector with 3/4" FIP x 3/4" FIP end fittings
- WB00-18N 7/8" OD X 18" connector with 3/4" FIP x 3/4" FIP end fittings
- WB00-24N 7/8" OD X 24" connector with 3/4" FIP x 3/4" FIP end fittings
- WB00-30N 7/8" OD X 30" connector with 3/4" FIP x 3/4" FIP end fittings
- WB00-36N 7/8" OD X 36" connector with 3/4" FIP x 3/4" FIP end fittings
- WB10-18N 7/8" OD X 18" connector with 1" FIP x 3/4" FIP end fittings



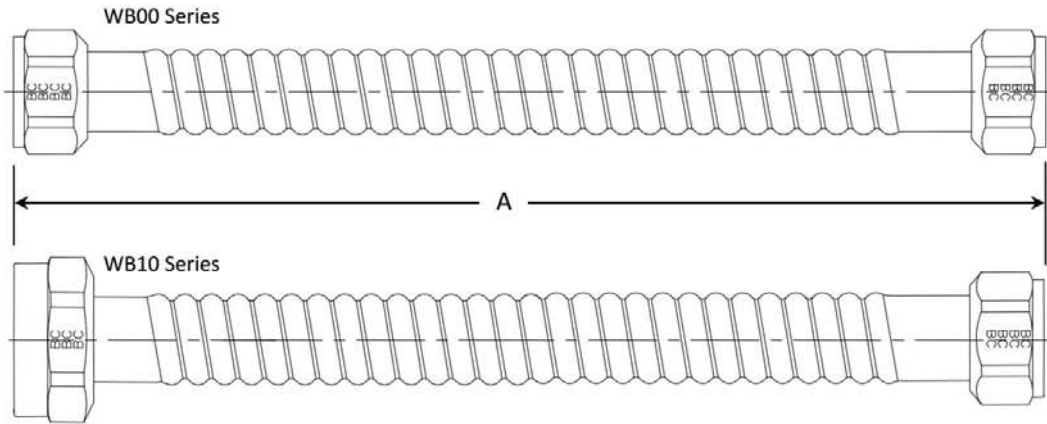
*This specification and all information contained herein is the confidential and exclusive property of Brass-Craft Manufacturing, and shall not be disclosed to others without the written consent of BrassCraft Mfg. This specification must be returned to BrassCraft Mfg if requested.*

**BrassCraft®**

300.21 WB00/ WB10 Copper Water Heater Connectors REV 10/12

© 2012 BrassCraft Mfg.

## WB00/ WB10 7/8" OD Copper Water Heater Connectors – Female Iron Pipe x Female Iron Pipe



<b>PART DIMENSIONS ( Inches )</b>							
<b>Connector Length – Nut by Nut (±.31)</b>							
<b>Model</b>	<b>Dim.</b>	<b>12"</b>	<b>15"</b>	<b>18"</b>	<b>24"</b>	<b>30"</b>	<b>36"</b>
WB00	A	12.31	15.31	18.31	24.31	30.31	36.31
WB10	A	-----	-----	18.31	-----	-----	-----

**Listings & Certifications (WB00 Series only):**

- IAPMO listed to ASME A112.18.6 and CSA B125 (File # 0452)
- CSA listed to CSA B125 (File # 204593)
- Compliant product CSA listed to Low Lead Content Certification Program – Plumbing Products Class 6853-01



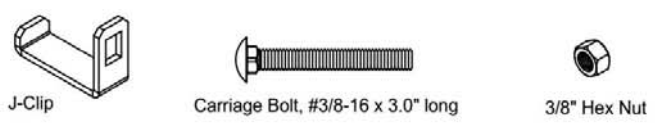
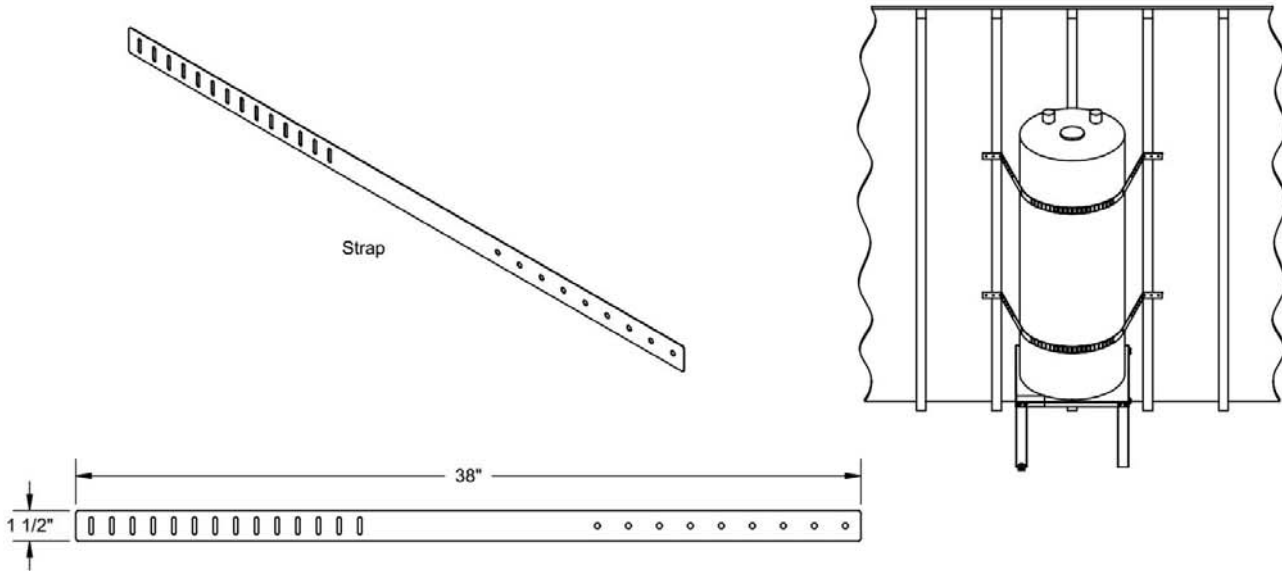
*This specification and all information contained herein is the confidential and exclusive property of BrassCraft Manufacturing, and shall not be disclosed to others without the written consent of BrassCraft Mfg. This specification must be returned to BrassCraft Mfg if requested.*

300.21 WB00/ WB10 Copper Water Heater Connectors REV 10/12

**BrassCraft®**

© 2012 BrassCraft Mfg.

**PRODUCT SPECIFICATION DRAWING**  
**QUICK STRAP® #QS-50**  
**Seismic support for water heaters**

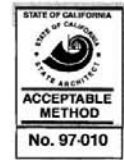


ALL DIMENSIONS IN INCHES

**The QUICK STRAP® #QS-50 is a seismic/earthquake support system for water heaters up to 80 U.S. gallons in size. The system includes: (4) Straps, (2) J-Clips, (2) 3/8" Carriage Bolts and (2) 3/8" Hex Nuts. The Quick Link® system allows for full adjustment from the front side of the water heater.**

**Product Information:**

- Material: Strap, 24 gage CRS, galvanized
- California Division State Architect (DSA) approval #97-010
- UPC / IPC / IAPMO listed



THIS INFORMATION IS PROPRIETARY TO HOLDRITE AND IS SUBJECT TO CHANGE WITHOUT NOTICE. IT MAY NOT BE REPRODUCED IN PART OR WHOLE WITHOUT WRITTEN AUTHORIZATION.



CONVERTING MAKESHIFT METHODS INTO ENGINEERED SOLUTIONS<sup>SM</sup>  
 800-321-0316 OR 760-744-6944 / FAX: 760-744-0507 / WWW.HOLDRITE.COM  
 spec\_QS-50\_Rev1

Product Submittal	
Job Name:	
Date:	
Part Number:	Qty:
Architect / Owner:	
Contractor:	
Notes:	





### WATER HEATER PANS



EASTMAN

**MATERIAL:** 60094  
**DESCRIPTION:** 30" ID x 32" OD  
**UNIT ORDER:** 5  
**INN/MAS:** 0/ 10  
**PACK:** BULK  
**CATALOG PAGE:** 26



# YAKIMA VALLEY CLINIC

ET-1

---



# THERM-X-SPAN®

Thermal Expansion Tanks: T Series Non-ASME

150 PSIG Working Pressure

### Construction

Shell	Steel
Diaphragm	Heavy Duty Butyl NSF/ANSI 61
Liner	Polypropylene
System Connection	Stainless Steel
Finish	Urethane Topcoat
Air Valve	Projection Welded
Factory Precharge	40 PSIG (2.8 bar)

### Application

- For use in closed, potable water systems to control pressure build-up.
- Accepts expanded water as system temperature rises and returns hot water to system when demand occurs.
- Multiple units can be installed to accommodate larger systems.

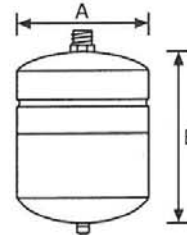
### Performance

Maximum Operating Temperature	200°F (93°C)
Maximum Working Pressure	150 PSIG (10.3 bar)
Warranty	1 Year

### In-Line Models

Model Number	Tank Volume		Max. Acceptance Factor	A Tank Diameter		B Tank Height		System Connection (NPTM)	Shipping Weight	
	Gal	Lit		In	mm	In	mm		Lbs	Kg
T-5	2.0	8	.45	8	203	13	330	¾"	5	2
T-8	3.2	12	.59	9	229	15	381	¾"	7	3
T-12	4.4	17	.73	11	279	15	381	¾"	9	4

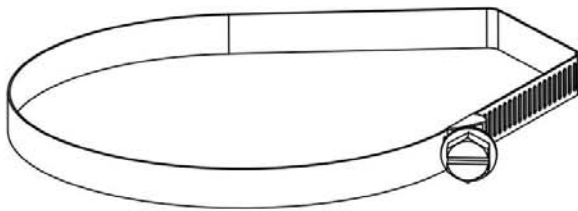
All dimensions and weights are approximate.



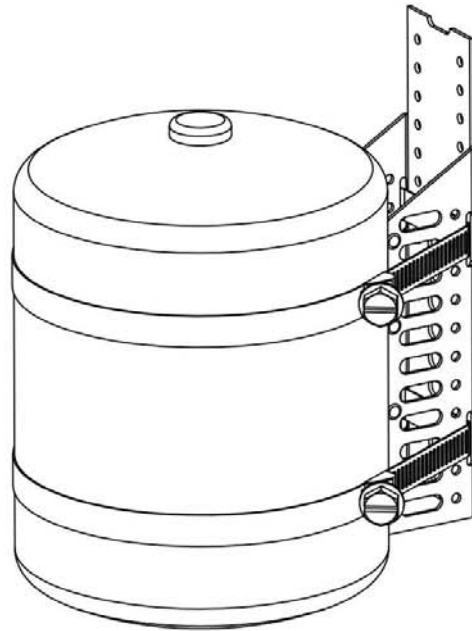
Job Name _____	Notes _____
Engineer _____	_____
Contractor _____	_____
P.O. No. _____	_____
Sales Rep. _____	_____
Model No. _____	_____



**PRODUCT SPECIFICATION DRAWING**  
**QUICK STRAP® #QS-5, #QS-12**  
**THERMAL EXPANSION TANK MOUNTING BRACKET**



1/2" Wide, .025" Thick, Stainless Steel Band; (2)



#8 x 1.5" Sheet Metal Screw; (2)

ALL DIMENSIONS IN INCHES

The QUICK STRAP® #QS-5, #Q-12 is a thermal expansion tank mounting bracket. Secures to wall and takes weight and load off pipes. Galvanized and stainless steel construction. Available for 2-5 gallon units. The system includes: Wall Bracket, (2) Straps, and (2) #8 x 1.5" Sheet Metal Screws.

MODEL	SIZE
QS-5	UP TO 2.5 GAL; UP TO 9.0" DIA
QS-12	2.5 TO 5 GAL; 9.5" TO 13" DIA

**Product Information:**

- Material: Strap, 1/2" Wide, .025" Thick, 201/301 Stainless Steel
- Material: Bracket, 16 Gauge Galvanized Steel

THIS INFORMATION IS PROPRIETARY TO HOLDRITE AND IS SUBJECT TO CHANGE WITHOUT NOTICE. IT MAY NOT BE REPRODUCED IN PART OR WHOLE WITHOUT WRITTEN AUTHORIZATION.



CONVERTING MAKESHIFT METHODS INTO ENGINEERED SOLUTIONS<sup>SM</sup>  
 800-321-0316 OR 760-744-6944 / FAX: 760-744-0507 / WWW.HOLDRITE.COM  
 spec\_QS-5\_-12\_RevC

Product Submittal	
Job Name:	
Date:	
Part Number:	Qty:
Architect / Owner:	
Contractor:	
Notes:	