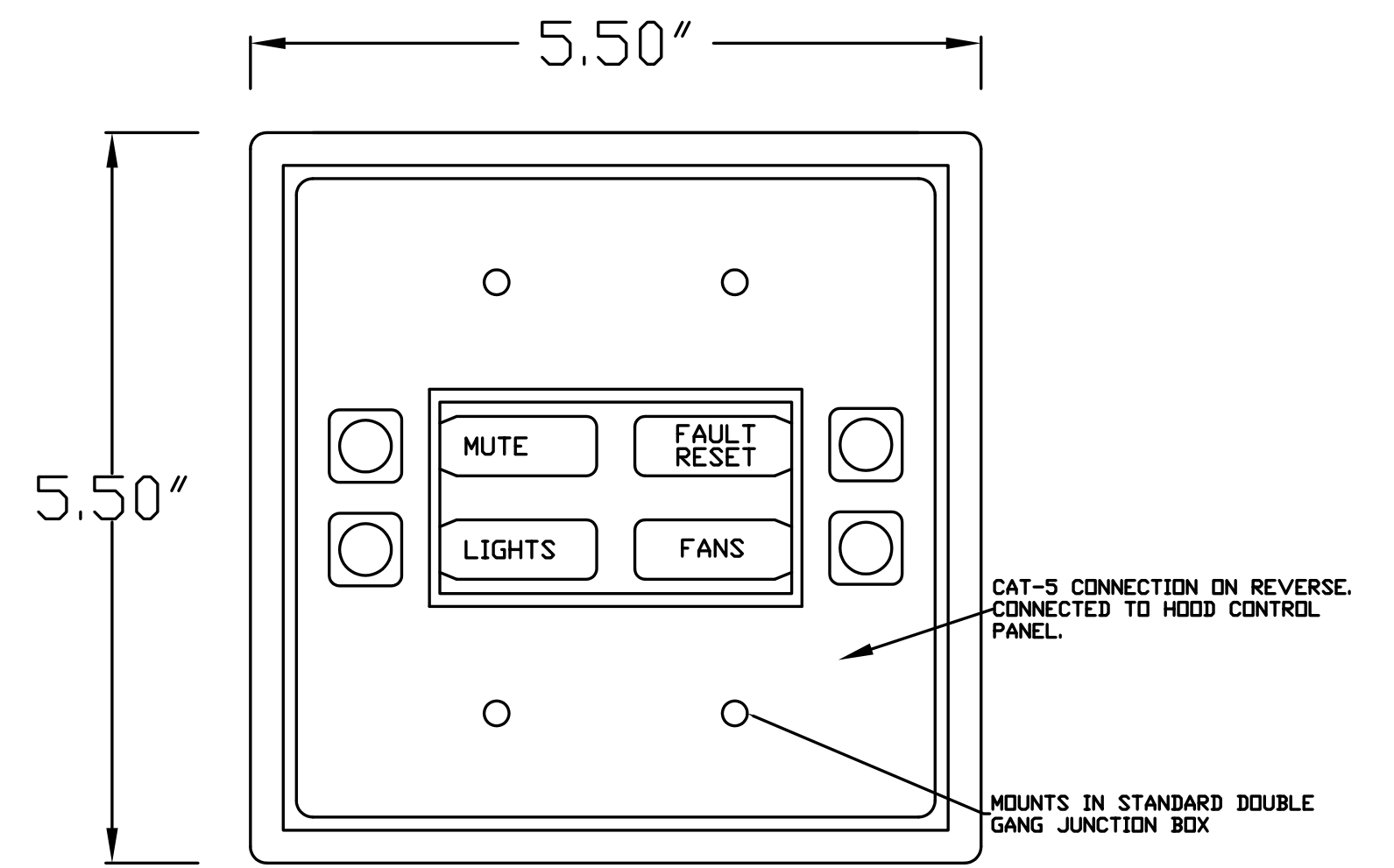
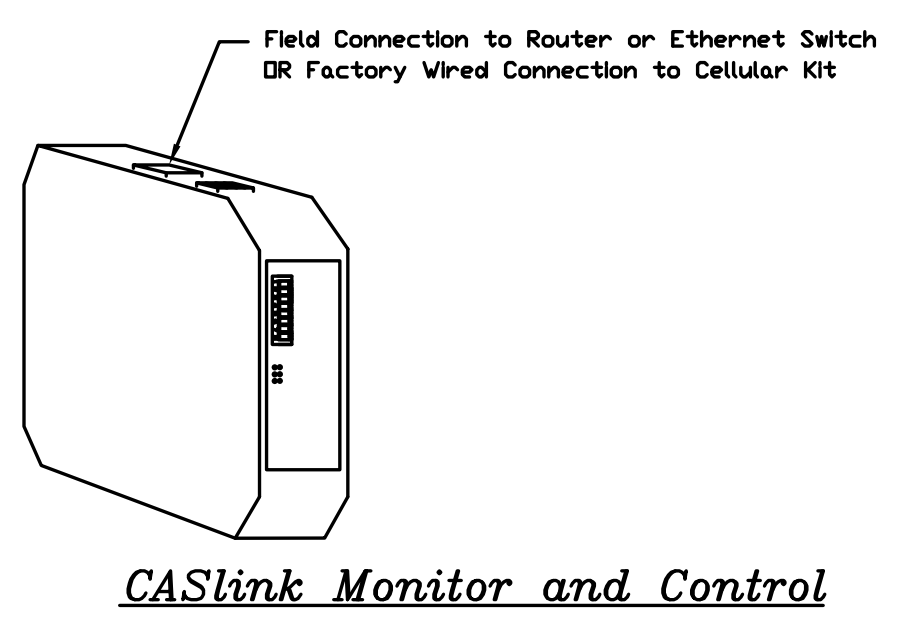
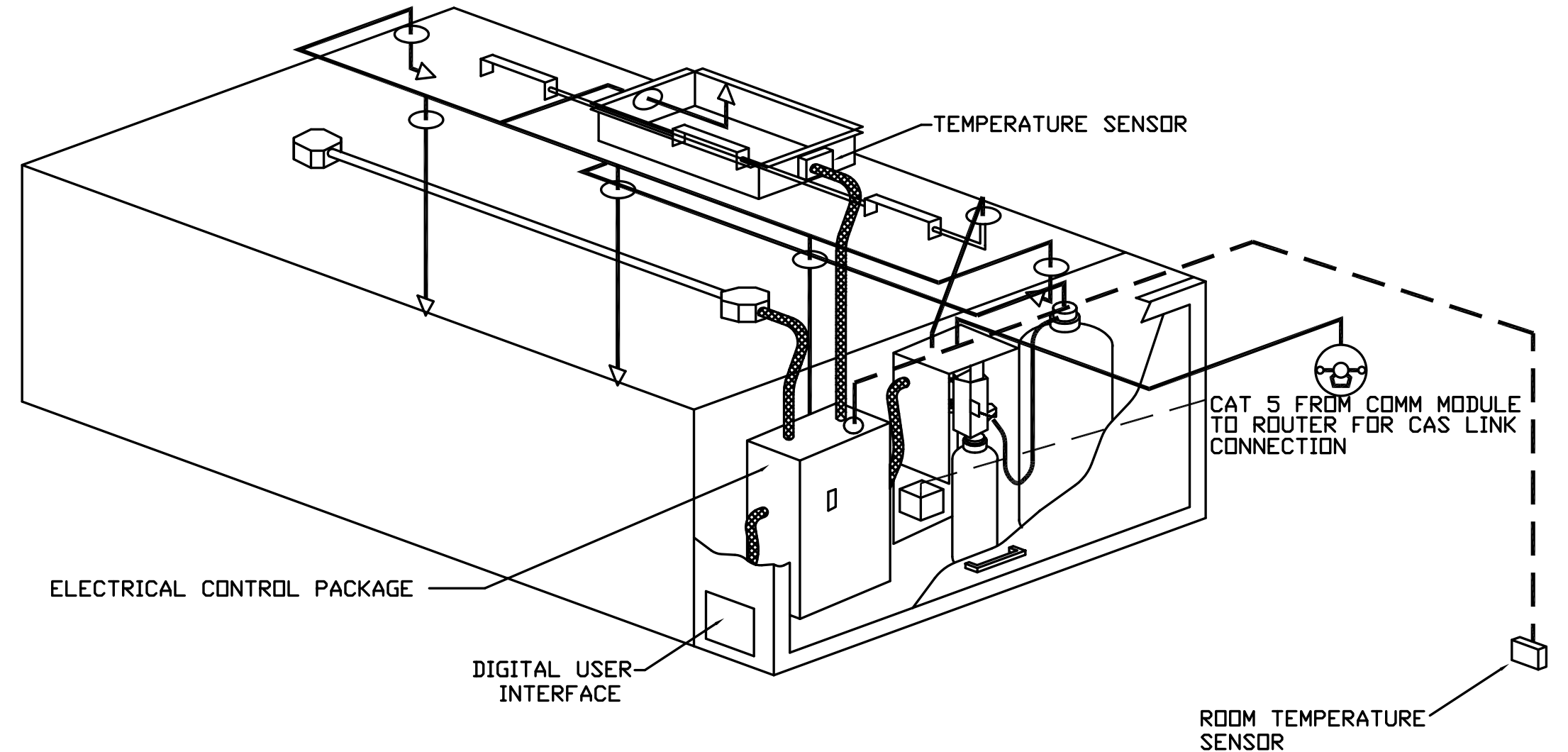
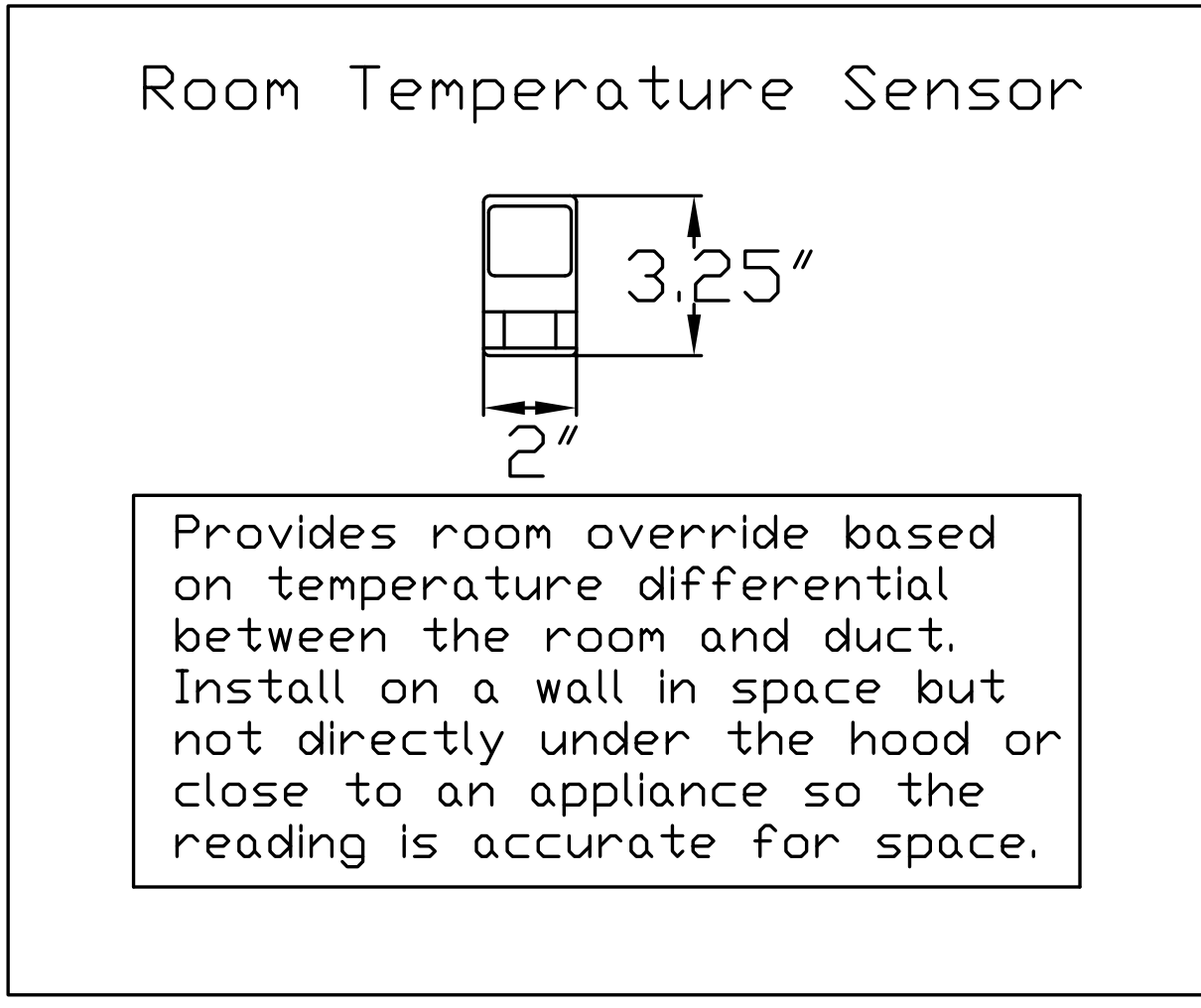
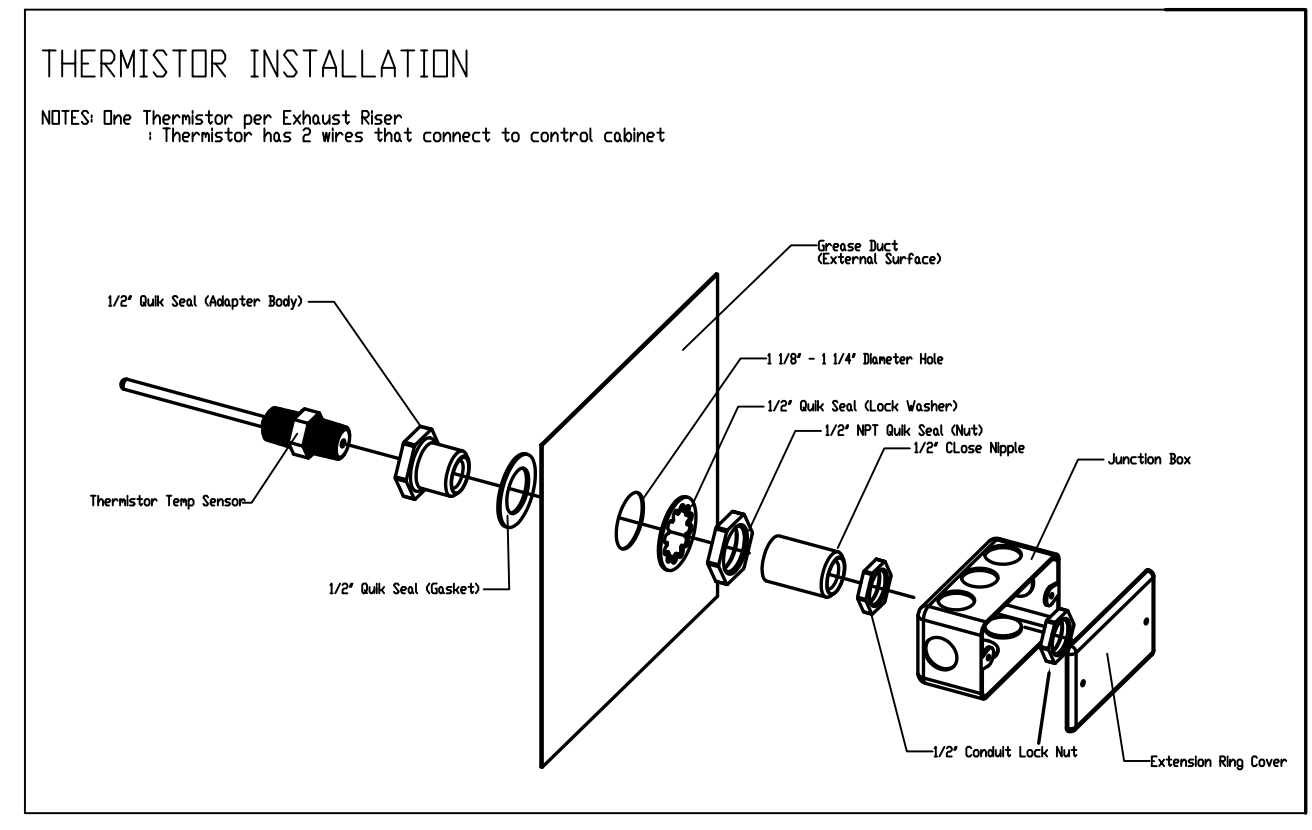
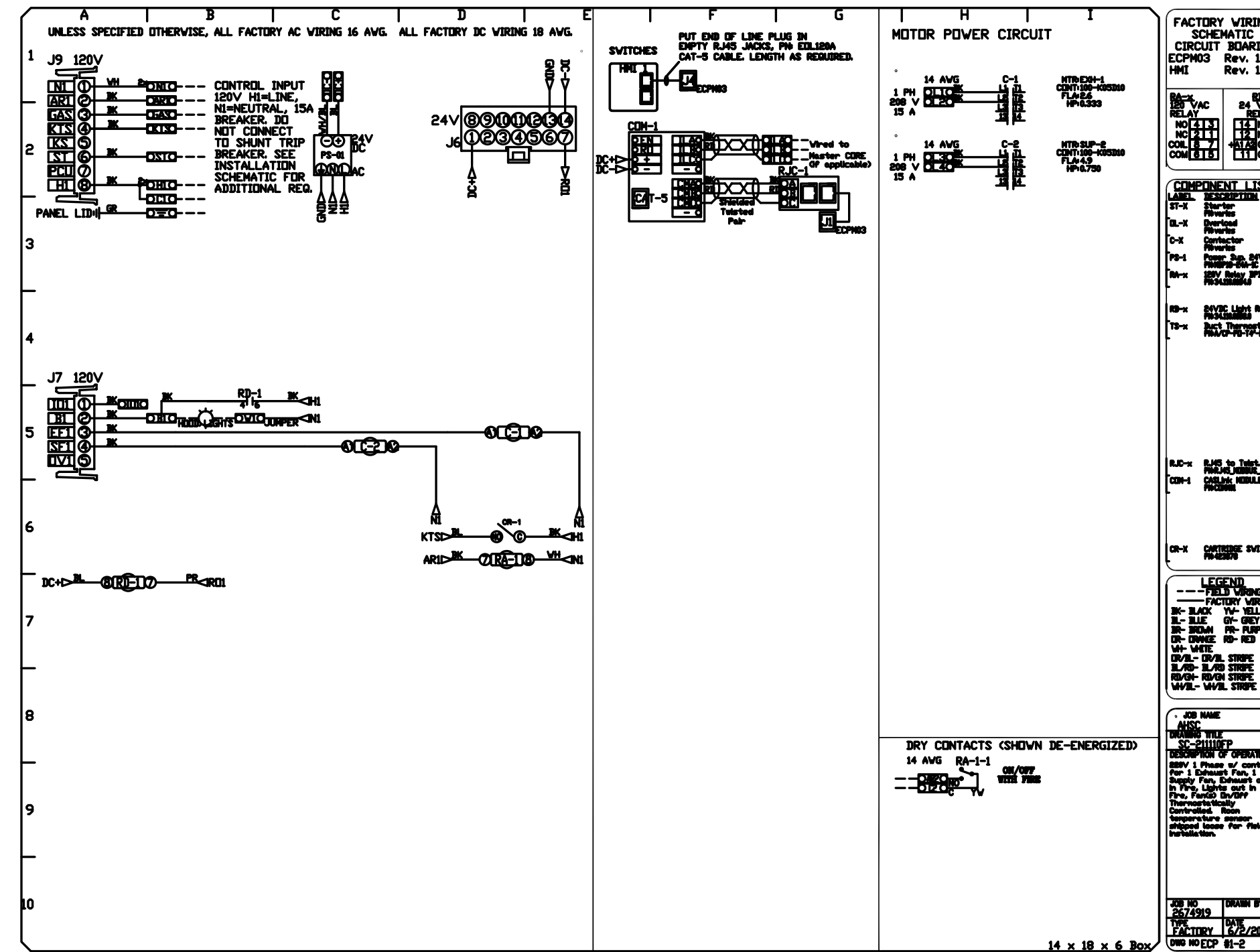
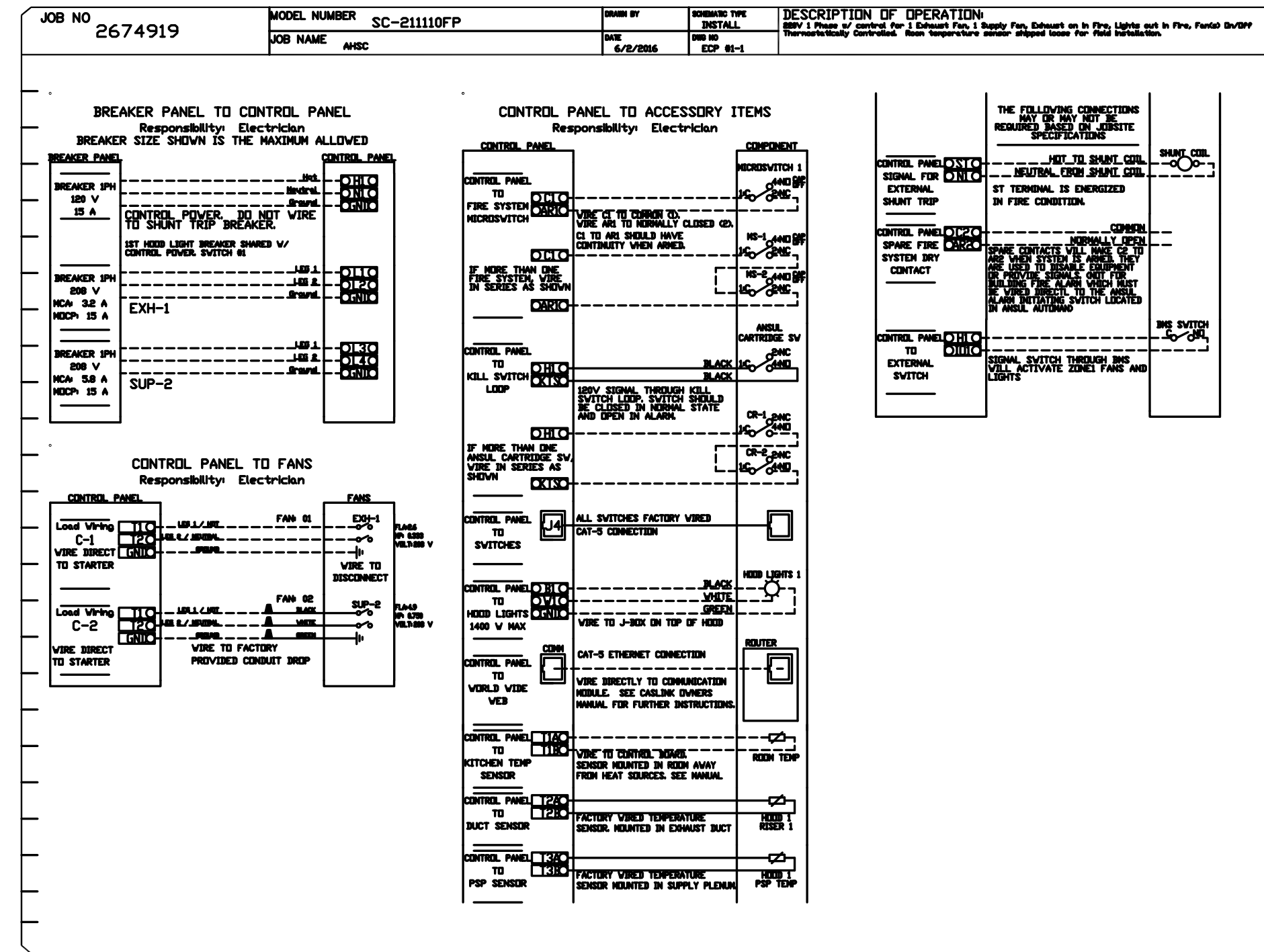


ELECTRICAL PACKAGES - Job#2674919

| NO. | TAG | PACKAGE # | LOCATION | SWITCHES | | OPTION | FANS CONTROLLED | | | | |
|-----|-----|------------|-----------------------|-----------------------|----------|-------------------------------------|-----------------|----|-------|-----|-----|
| | | | | LOCATION | QUANTITY | | TYPE | HP | VOLT | FLA | |
| 1 | | SC-21110FP | Utility Cabinet Right | Utility Cabinet Right | 1 Light | Smart Controls Thermostatic Control | Exhaust | 1 | 0.333 | 208 | 2.6 |
| | | | | | 1 Fan | | Supply | 1 | 0.750 | 208 | 3.7 |



IT IS THE RESPONSIBILITY OF THE EC TO MAKE ALL FIELD CONNECTIONS INTO AND OUT OF THE CAPTIVEAIRE CONTROL PANEL INCLUDING BUT NOT LIMITED TO LOW VOLTAGE, CAT 5, 24V WIRES TO ALL TEMP SENSORS, INCLUDING THE ROOM TEMP SENSOR, MOTOR LINE VOLTAGE POWER FEEDS, AND CONTROL WIRING.

REFER TO WIRING SCHEMATICS IN THIS DRAWING AND POSTED INSIDE OF THE CONTROL CABINET

FOR QUESTIONS, CALL
KURT CURTIS: REGIONAL MANAGER
PHONE: (360) 828-5418
FAX: (919) 227-5983
EMAIL: kurt.curtis@captiveaire.com

REVISIONS

| NO. | DESCRIPTION | DATE |
|-----|-------------|------|
| | | |
| | | |
| | | |
| | | |

CAPTIVEAIRE

OREGON OFFICE

2702 NE 114th Ave, Suite 2, Vancouver, WA, 98684 PHONE: (509) 626-5418 FAX: (509) 227-5983 EMAIL: ng@cap@capair.com

AHSC
PORTLAND, OR, 97202

DATE: 6/6/2016

DWG.#: 2674919

DRAWN BY: kcurtis

SCALE: 3/4" = 1'-0"

MASTER DRAWING

SHEET NO. 3

HOLST

110 SE 8TH AVE.
PORTLAND, OR
97214

HOLSTARC.COM

ASIAN HEALTH & SERVICE CENTER

SE 91ST AVE & SE FOSTER RD,
PORTLAND OR 97266

JOB NO. 15043.00



META Consulting Engineers
2007 S.E. Ash St.
Portland, OR 97214
PHN: (503) 234-0548
FAX: (503) 234-0677
INC. WWW.META-ENG.COM
CONTACT: TAKAKO BAKER

PERMIT SET

| issue: | date: |
|------------|----------|
| 100% SD | 10.15.15 |
| 50% DD | 12.09.15 |
| 100% DD | 02.05.16 |
| 50% CD | 03.30.16 |
| 75% CD | 04.27.16 |
| PERMIT SET | 07.22.16 |

title: MECHANICAL KITCHEN HOOD WIRING DETAIL

sheet:

M6.05