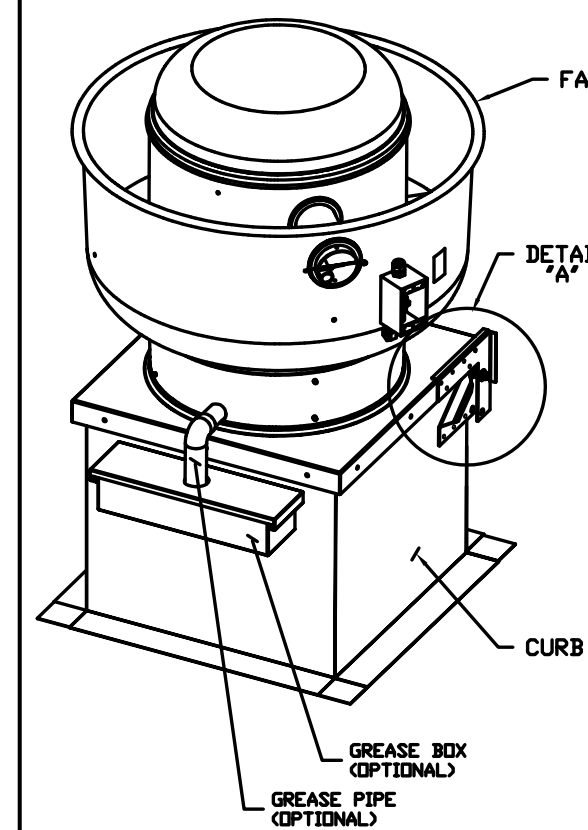
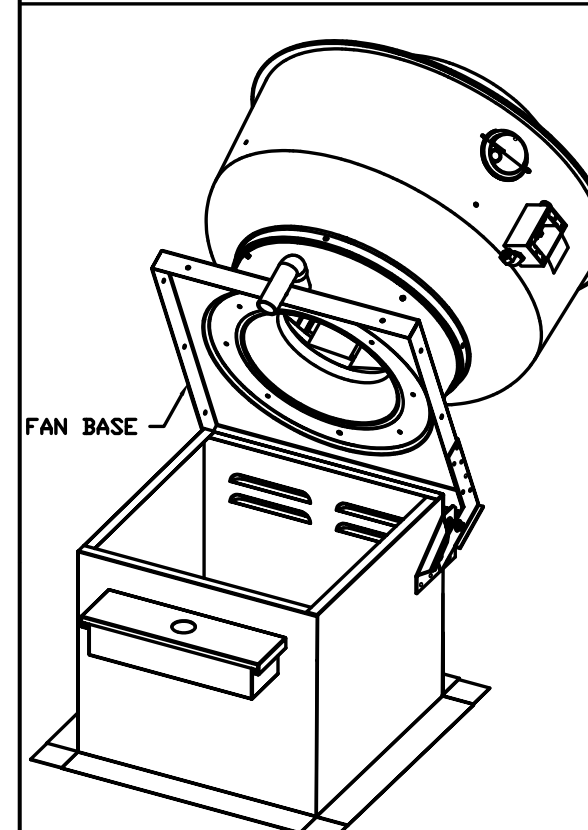


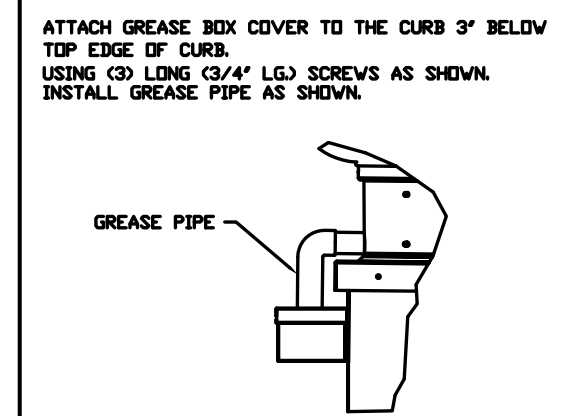
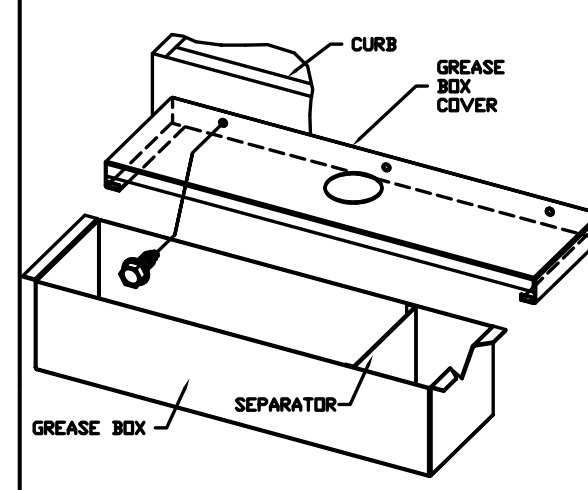
HINGE KIT DETAIL



FAN IN CLOSED POSITION



FAN IN OPEN POSITION



GREASE BOX INSTALLATION

EXHAUST FAN INFORMATION - Job#2674919

FAN UNIT NO.	TAG	FAN UNIT MODEL #	CFM	ESP.	RPM	H.P.	B.H.P.	#	VOLT	FLA	WEIGHT (LBS.)	SONES
1		DU33HFA	700	0.750	1452	0.333	0.2080	1	208	2.6	65	11

FAN OPTIONS

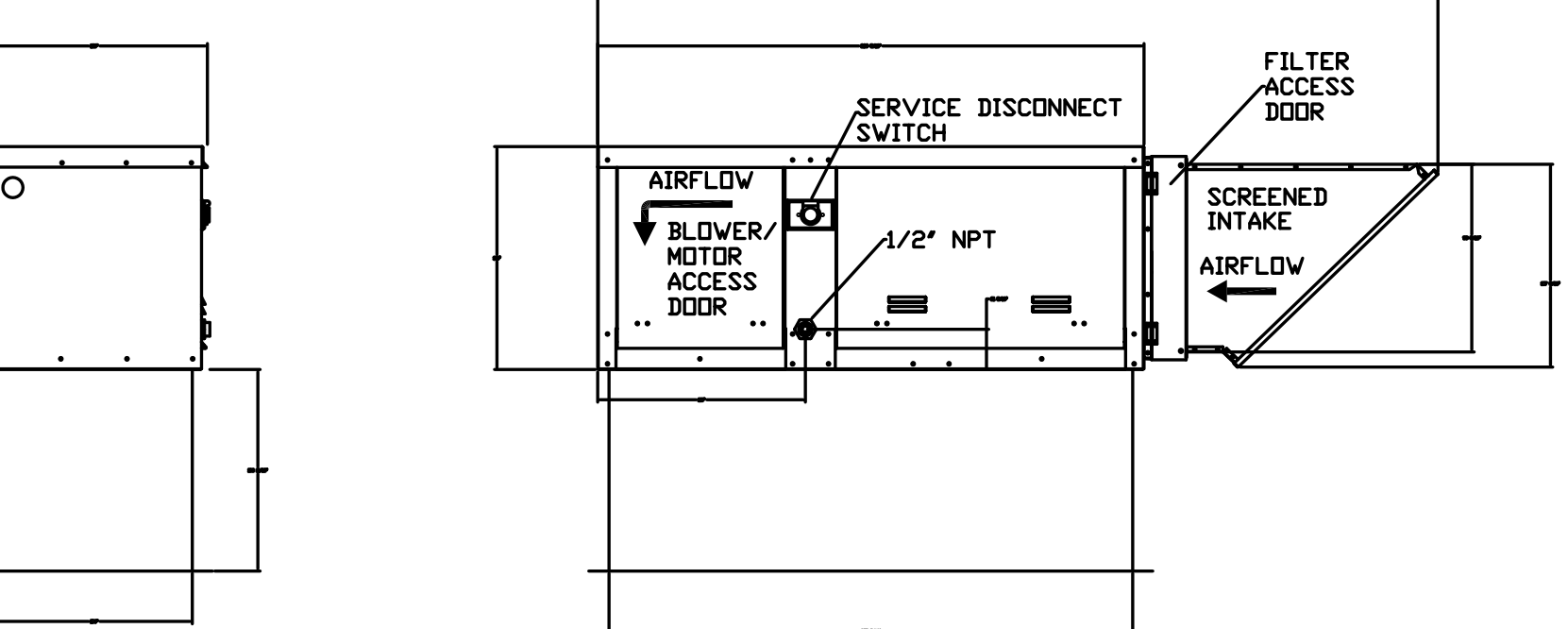
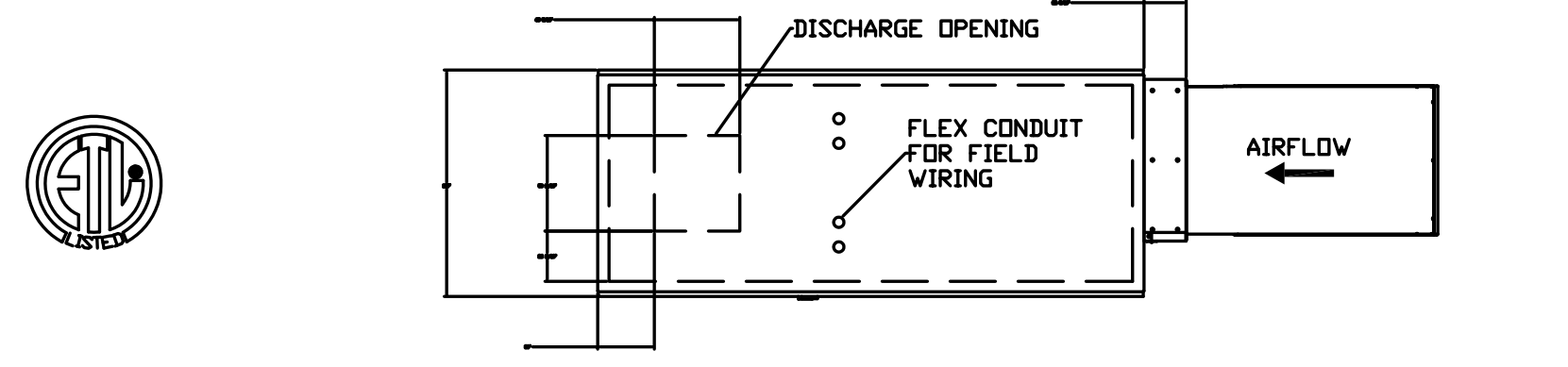
FAN UNIT NO.	TAG	OPTION (Qty. - Descr.)
1		1 - Grease Box
		1 - ECM Wiring Package-Exhaust Fans - Manual Speed Control.
		1 - Fan Base Ceramic Seal - For Grease Ducts
		1 - 3 Year Extended Motor Warranty
		1 - Inlet Pressure Gauge, 0-35"
2		1 - Manifold Pressure Gauge, -5 to 15" wc
		1 - 3 Year Extended Motor Warranty
		1 - Extra Set of Belts
		1 - Motorized Intake Damper (D76)

CURB ASSEMBLIES

NO.	DN FAN	WEIGHT	ITEM	SIZE
1	# 1	34 LBS	Curb	19.500"W x 19.500"L x 22.000"H Vented Hinged
2	# 2	50 LBS	Curb	19.500"W x 52.000"L x 20.000"H Insulated

FAN #2 D76 - HEATER
 1. LOW CFM DIRECT FIRED HEATER. BELT DRIVE.
 2. INTAKE HOOD WITH EZ FILTERS
 3. DOWN DISCHARGE - AIR FLOW RIGHT -> LEFT
 4. GAS PRESSURE GAUGE, 0-35" 2.5" DIAMETER, 1/4" THREAD SIZE
 5. GAS PRESSURE GAUGE, -5 TO 15 INCHES WC, 2.5" DIAMETER, 1/4" THREAD SIZE
 6. 3 YEAR EXTENDED WARRANTY FOR FAN MOTOR. PARTS ONLY. DOES NOT INCLUDE LABOR.
 7. EXTRA SET OF V-BELTS. ONLY TO BE ORDERED AS FAN OPTION AT THE TIME FAN IS ORDERED.
 8. MOTORIZED BACK DRAFT DAMPER 13" X 17" FOR D76 COMPACT DIRECT FIRED HEATERS W/EXTENDED SHAFT, STANDARD GALVANIZED CONSTRUCTION, 3/4" REAR FLANGE, TF1205 ACTUATOR INCLUDED

SUPPLY SIDE HEATER INFORMATION
 WINTER TEMPERATURE = 50°F. TEMP. RISE = 55°F.
 BTUS CALCULATED @ STANDARD AIR DENSITY
 OUTPUT BTUS AT ALTITUDE OF 0.0 FT. = 35640
 INPUT BTUS AT ALTITUDE OF 0.0 FT. = 38739



ROOF OPENING 2" SMALLER THAN CURB DIMENSION

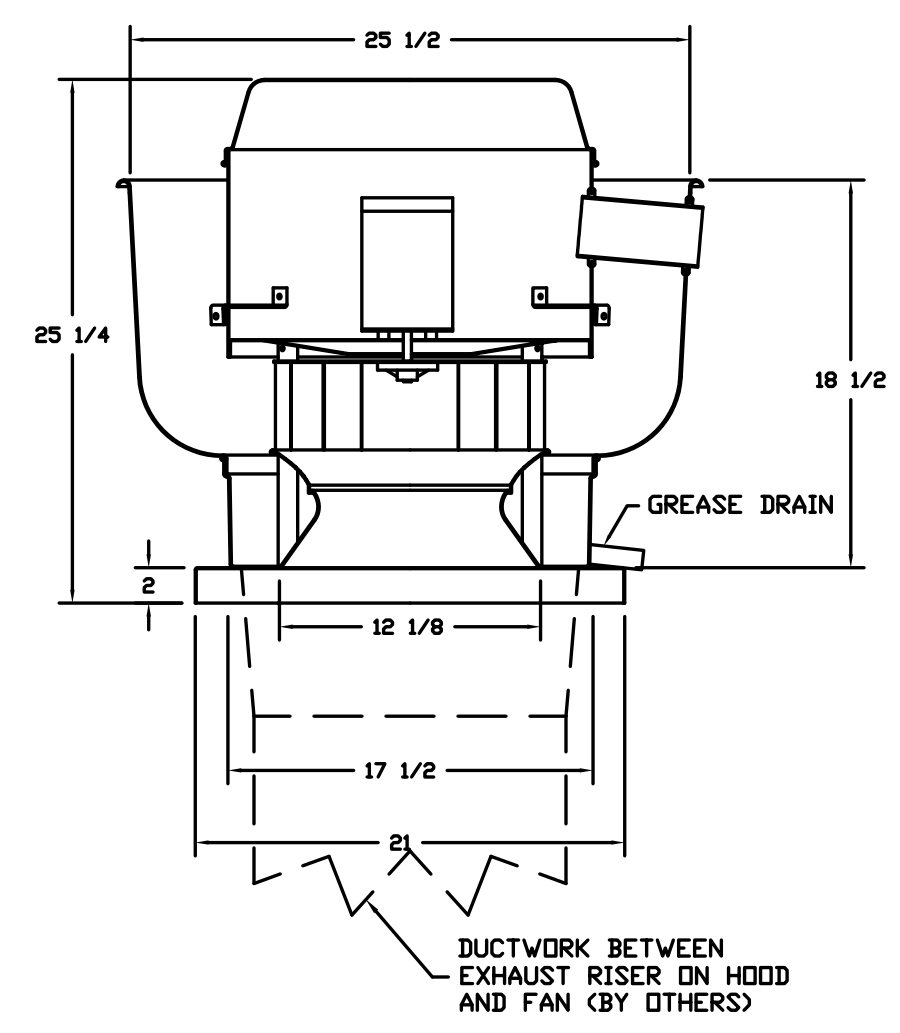
MUA FAN INFORMATION - Job#2674919

FAN UNIT NO.	TAG	FAN UNIT MODEL #	BLOWER	HOUSING	CFM	ESP.	RPM	H.P.	B.H.P.	#	VOLT	FLA	WEIGHT (LBS.)	SONES
2		D76	G7	D.6	600	0.600	1395	0.750	0.3540	1	208	3.7	337	14.1

GAS FIRED MAKE-UP AIR UNIT(S)

FAN UNIT NO.	TAG	INPUT BTUS	OUTPUT BTUS	TEMP. RISE	REQUIRED INPUT GAS PRESSURE	GAS TYPE
2		38739	35640	55 deg F	7 in. w.c. - 14 in. w.c.	Natural

FAN #1 DU33HFA - EXHAUST FAN



FEATURES:

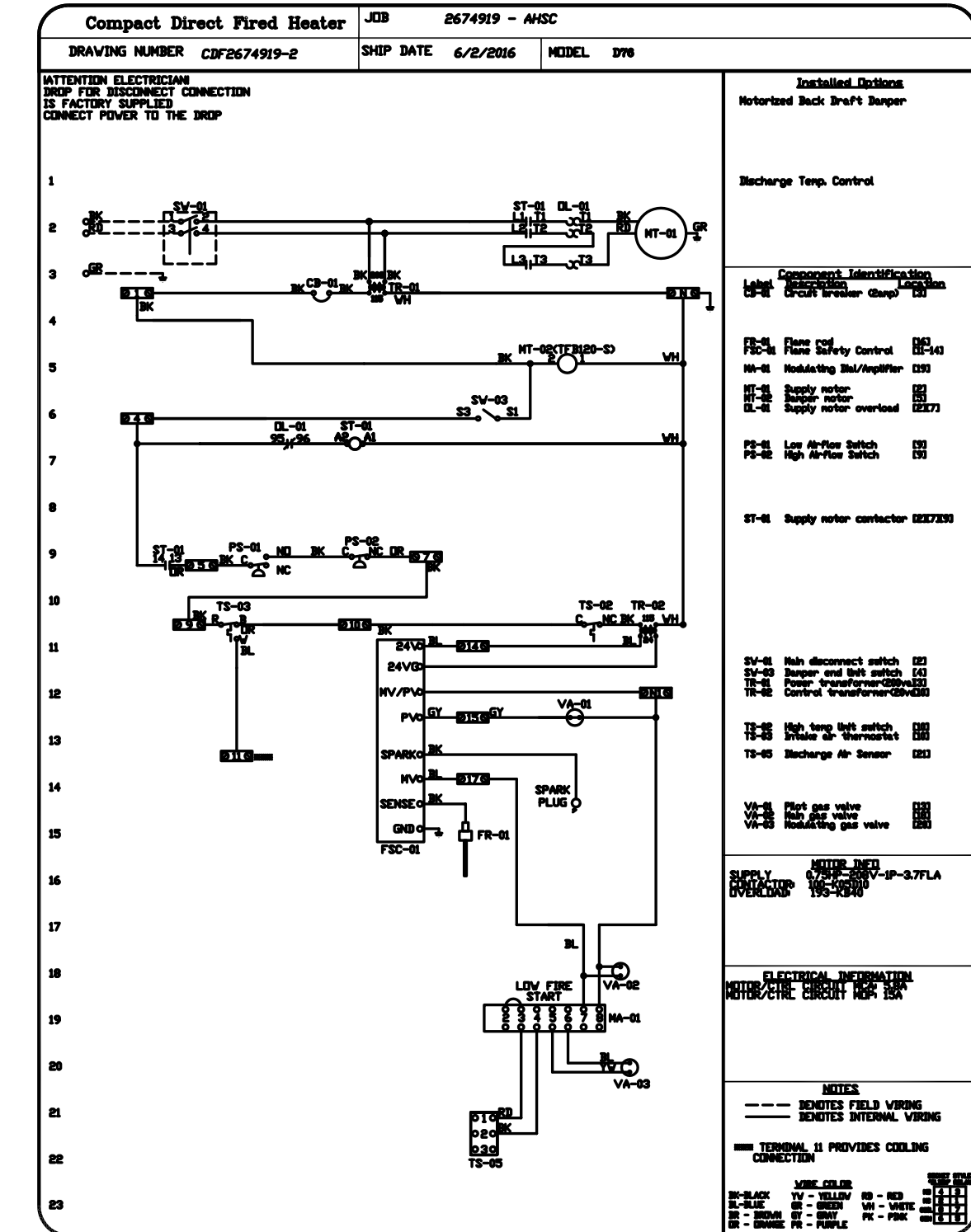
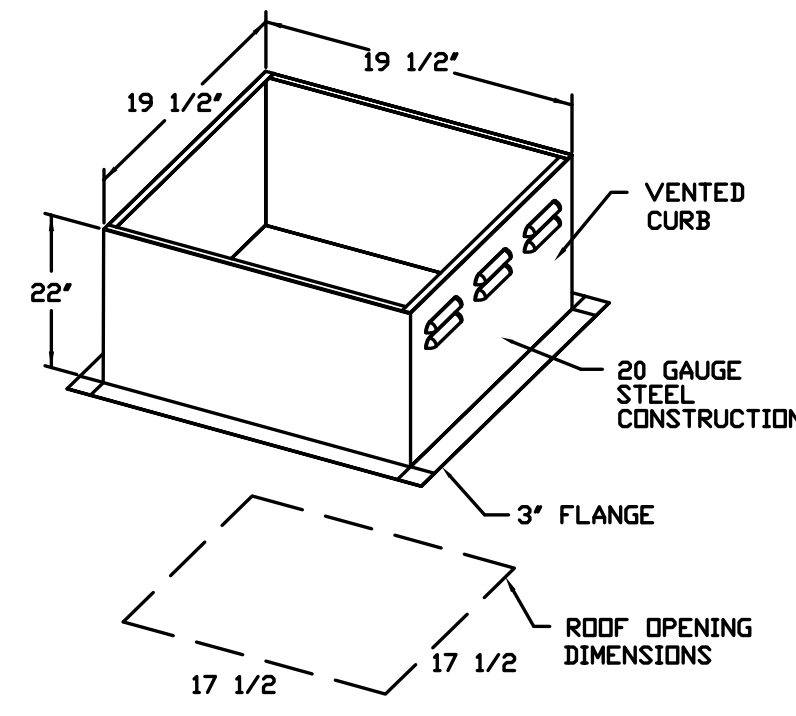
- DIRECT DRIVE CONSTRUCTION (NO BELTS/PULLEYS)
- RESTAURANT MODEL
- UL705 AND UL762
- VARIABLE SPEED CONTROL
- INTERNAL WIRING
- WEATHERPROOF DISCONNECT
- THERMAL OVERLOAD PROTECTION (SINGLE PHASE)
- HIGH HEAT OPERATION 300°F (149°C)
- GREASE CLASSIFICATION TESTING

NORMAL TEMPERATURE TEST
 EXHAUST FAN MUST OPERATE CONTINUOUSLY WHILE EXHAUSTING AIR AT 300°F (149°C) UNTIL ALL FAN PARTS HAVE REACHED THERMAL EQUILIBRIUM, AND WITHOUT ANY DETERIORATING EFFECTS TO THE FAN WHICH WOULD CAUSE UNSAFE OPERATION.

ABNORMAL FLARE-UP TEST
 EXHAUST FAN MUST OPERATE CONTINUOUSLY WHILE EXHAUSTING BURNING GREASE VAPORS AT 600°F (316°C) FOR A PERIOD OF 15 MINUTES WITHOUT THE FAN BECOMING DAMAGED TO ANY EXTENT THAT COULD CAUSE AN UNSAFE CONDITION.

OPTIONS

- GREASE BOX
- ECM WIRING PACKAGE-EXHAUST FANS - MANUAL SPEED CONTROL.
- FAN BASE CERAMIC SEAL - FOR GREASE DUCTS
- 3 YEAR EXTENDED MOTOR WARRANTY



FOR QUESTIONS, CALL
 KURT CURTIS, REGIONAL MANAGER
 PHONE: (360) 828-5418
 FAX: (919) 227-5983
 EMAIL: kurt.curtis@captivair.com

REVISIONS

NO.	DESCRIPTION	DATE

CAPTIVE
 OREGON OFFICE
 www.captivair.com
 2702 NE 14th Ave, Suite 2, Vancouver, WA 98684 PHONE: (360) 828-5418 FAX: (919) 227-5983 EMAIL: neg@captivair.com

AHSC
 PORTLAND, OR, 97202

DATE: 6/6/2016
 DWG.#: 2674919
 DRAWN BY: kurtis
 SCALE: 3/4" = 1'-0"
 MASTER DRAWING

SHEET NO. 2

HOLST

110 SE 8TH AVE.
 PORTLAND, OR
 97214

HOLSTARC.COM

ASIAN HEALTH & SERVICE CENTER

SE 91ST AVE & SE FOSTER RD,
 PORTLAND OR 97266

JOB NO. 15043.00



MFA Consulting Engineers
 2007 S.E. Ash St.
 Portland, OR 97214
 PH: (503) 234-0548
 FAX: (503) 234-0677
 CONTACT: TAKAKO BAKER

PERMIT SET

DATE	ISSUE	DATE
07.22.2016	100% SD	10.15.15
	50% DD	12.09.15
	100% DD	02.05.16
	50% CD	03.30.16
	75% CD	04.27.16
	PERMIT SET	07.22.16

REVISION	DATE
1 PERMIT REV (ADD 1)	01.24.17
2 PERMIT REV 2	02.09.17
3 PERMIT REV 3	03.08.17
4 CONST SET REV 4	03.31.17

MECHANICAL
 KITCHEN FANS
 DETAILS AND
 SCHEDULE

sheet:

M6.04