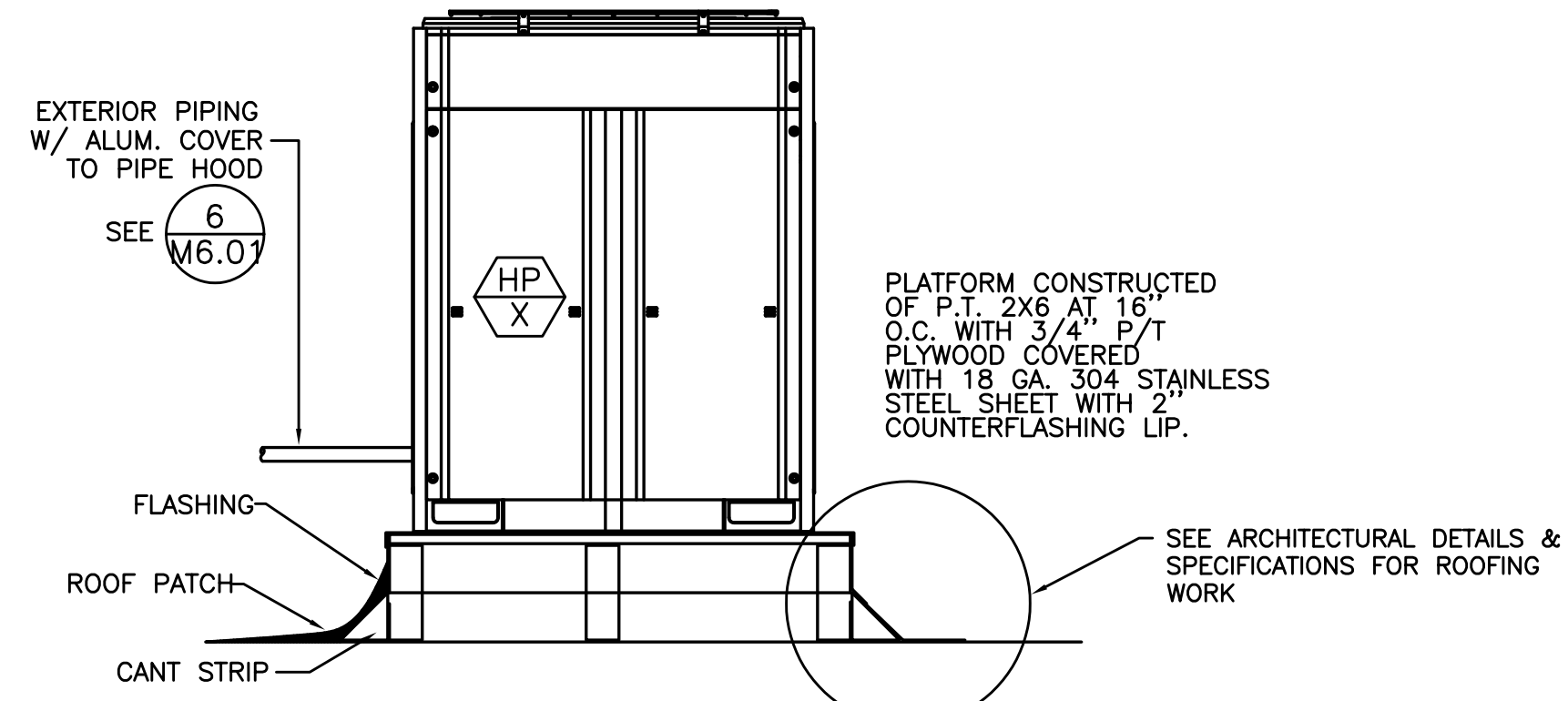


VRV INDOOR UNITS

TAG #	TYPE	Heat Pump Unit	BOD: DAIKIN	Airflow (CFM)	Outside Air (CFM)	ESP ("W.G.)	Rated TOTAL Cooling (BTUH)	Rated Heating (BTUH)	Weight (LBS)	Electrical V/PH	Notes
FC-1	DUCTED FAN COIL	HP-1	FXMQ18	635	110	0.50"	18,000	20,000	80	208/1	1,2,3
FC-8	DUCTED FAN COIL	HP-1	FXMQ48	1377	0	0.50"	48,000	54,000	102	208/1	1,2,7
FC-9	DUCTED FAN COIL	HP-1	FXMQ48	1377	115	0.50"	48,000	54,000	102	208/1	1,2,7
CC-14	CEILING CASSETTE	HP-1	FXZQ07	320	20	-	7,500	8,700	45	208/1	2,3,4,6
CC-8	CEILING CASSETTE	HP-1	FXZQ07	320	35	-	7,500	8,700	45	208/1	2,3,4,6
CC-17	CEILING CASSETTE	HP-1	FXQ24	780	0	-	24,000	27,000	50	208/1	2,3,4,6
WU-1	WALL MOUNTED UNIT	HP-1	FXAQ24	635	0	-	24,000	26,500	35	208/1	2
TOTAL		HP-1			280		177,000	145,400			
FC-2	DUCTED FAN COIL	HP-2	FXMQ024	700	150	0.50"	24,000	27,000	80	208/1	1,2,3
FC-3	DUCTED FAN COIL	HP-2	FXMQ015	560	40	0.50"	15,000	17,000	80	208/1	1,2,3
FC-4	DUCTED FAN COIL	HP-2	FXMQ018	635	150	0.50"	18,000	20,000	80	208/1	1,2,3
FC-5	DUCTED FAN COIL	HP-2	FXMQ015	560	95	0.50"	15,000	17,000	80	208/1	1,2,3
FC-6	DUCTED FAN COIL	HP-2	FXMQ015	560	95	0.50"	15,000	17,000	80	208/1	1,2,3
FC-7	DUCTED FAN COIL	HP-2	FXMQ015	560	200	0.50"	15,000	17,000	80	208/1	1,2,3
CC-1	CEILING CASSETTE	HP-2	FXZQ 18	495	95	-	18,000	21,000	45	208/1	2,3,4,6
CC-2	CEILING CASSETTE	HP-2	FXZQ07	320	30	-	7,500	8,700	45	208/1	2,3,4,6
CC-3	CEILING CASSETTE	HP-2	FXZQ 18	495	95	-	18,000	21,000	45	208/1	2,3,4,6
CC-4	CEILING CASSETTE	HP-2	FXZQ 18	495	95	-	18,000	21,000	45	208/1	2,3,4,6
CC-5	CEILING CASSETTE	HP-2	FXZQ 18	495	95	-	18,000	21,000	45	208/1	2,3,4,6
CC-6	CEILING CASSETTE	HP-2	FXZQ 18	495	95	-	18,000	21,000	45	208/1	2,3,4,6
CC-7	CEILING CASSETTE	HP-2	FXZQ07	320	35	-	7,500	8,700	45	208/1	2,3,4,6
CC-9	CEILING CASSETTE	HP-2	FXZQ07	320	20	-	7,500	8,700	45	208/1	2,3,4,6
CC-10	CEILING CASSETTE	HP-2	FXZQ07	320	35	-	7,500	8,700	45	208/1	2,3,4,6
CC-11	CEILING CASSETTE	HP-2	FXZQ15	388	95	-	15,000	17,500	45	208/1	2,3,4,6
CC-12	CEILING CASSETTE	HP-2	FXZQ15	320	35	-	15,000	17,500	45	208/1	2,3,4,6
CC-13	CEILING CASSETTE	HP-2	FXZQ 18	495	95	-	18,000	21,000	45	208/1	2,3,4,6
WU-2	WALL MOUNTED UNIT	HP-2	FXAQ18	500	95	-	18,000	20,000	35	208/1	2
WU-3	WALL MOUNTED UNIT	HP-2	FXAQ18	500	95	-	18,000	20,000	35	208/1	2
TOTAL		HP-2			1,740		306,000	350,800			

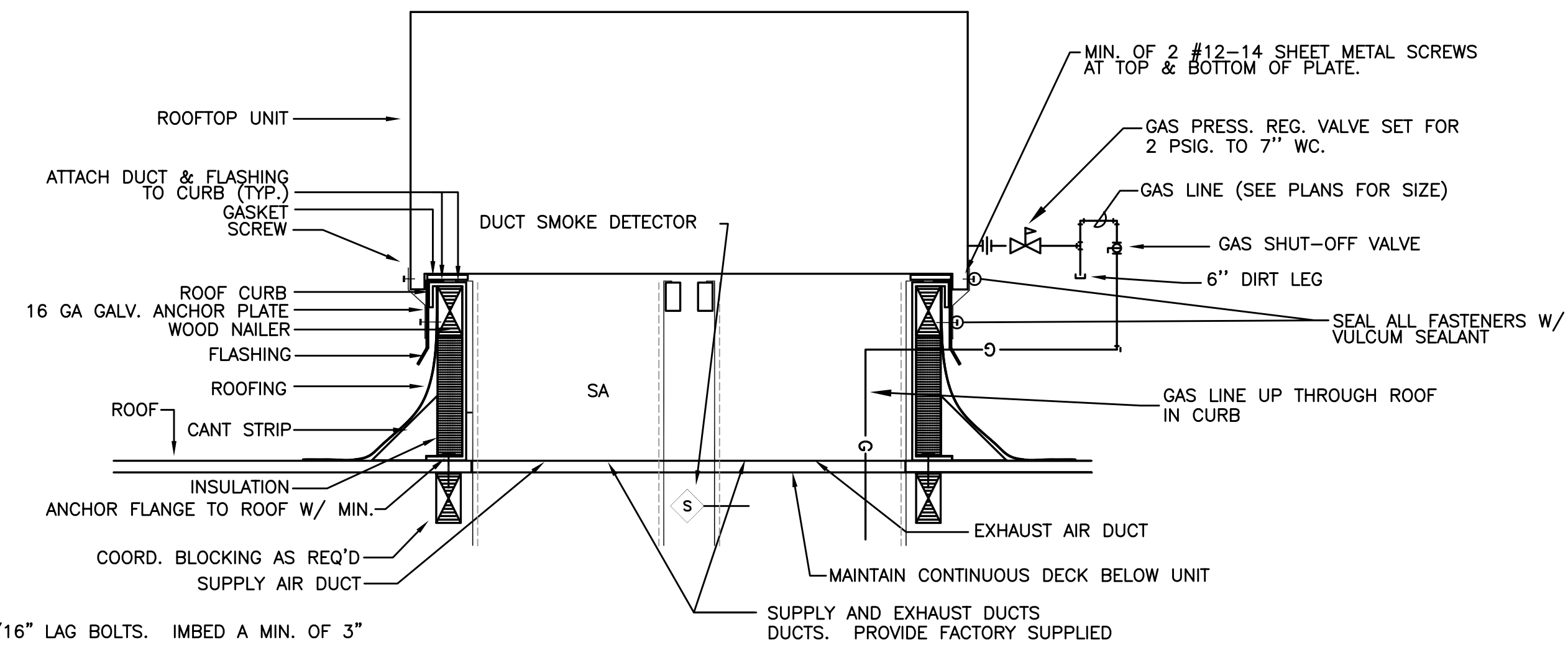
Notes

- DUCTED FAN COIL
- PROVIDE INTEGRAL CONDENSATE DRAIN PAN, FLOAT AND ALARM. PROVIDE EXTERNAL CONDENSATE PUMP.
- PROVIDE FIELD FABRICATED 2" MERV 8 FILTER RACK AND FILTER WITH MAXIMUM 0.15" WC PRESSURE DROP.
- 24"x24" CEILING CASSETTE (4-WAY)
- PROVIDE A SMOKE DETECTOR IN THE RA PLENUM.
- SUPPLY OSA DIRECTLY INTO ROOM.
- REMOTE FILTER @ RA GRILLE.



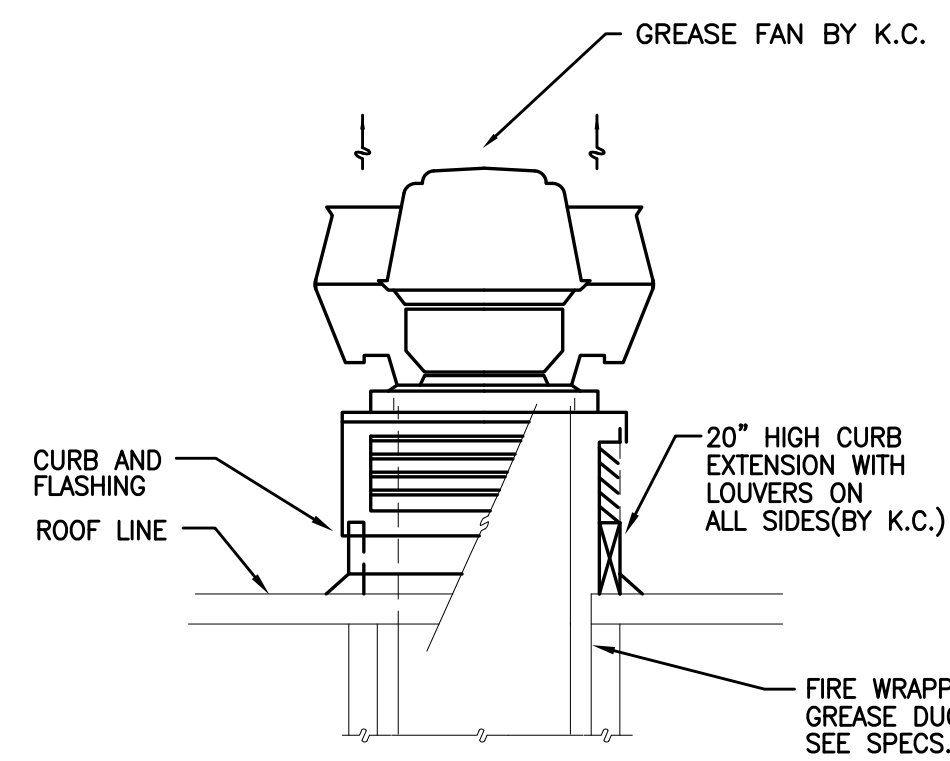
1 HEAT PUMP CURB

M6.01 SCALE: DETAIL



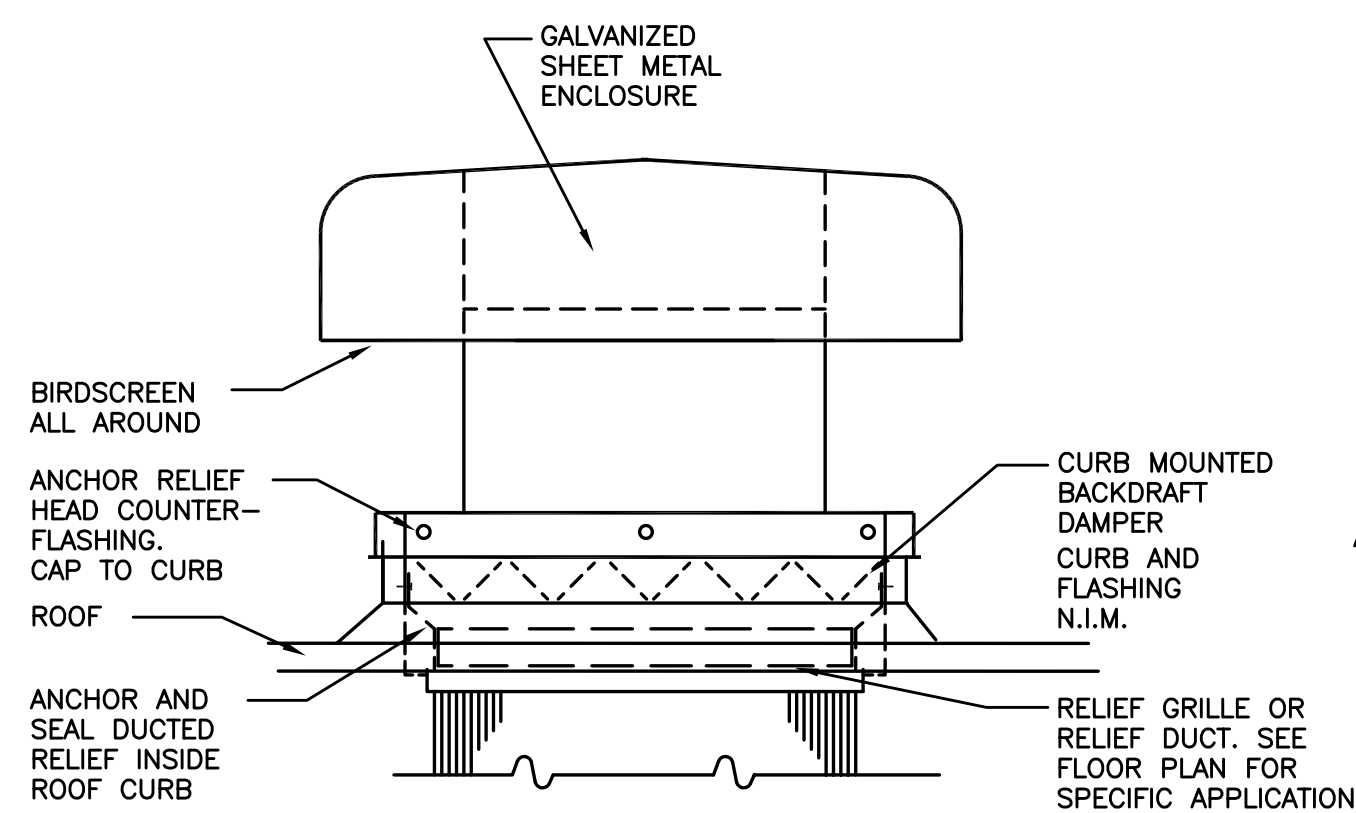
2 RTU & DOAS UNIT

M6.01 SCALE: DETAIL



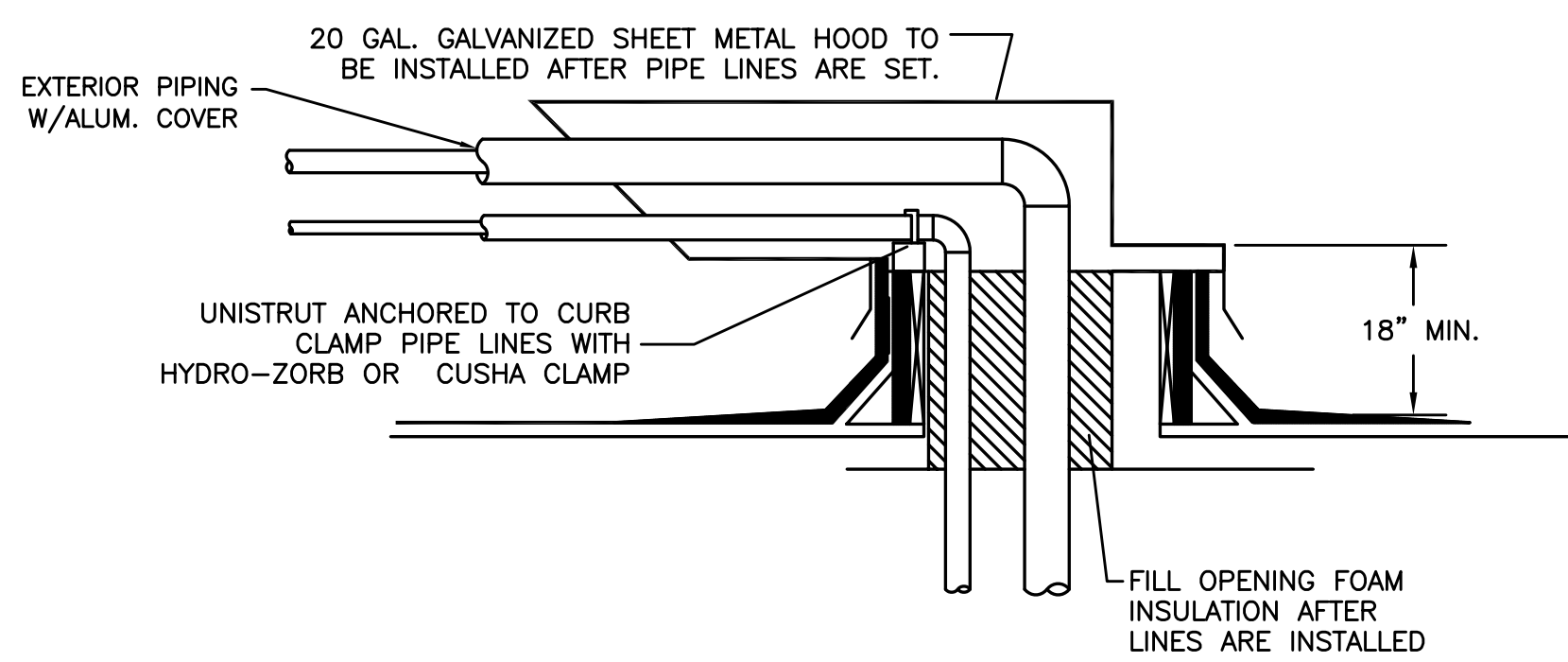
3 GREASE EXHAUST FAN

M6.01 SCALE: DETAIL



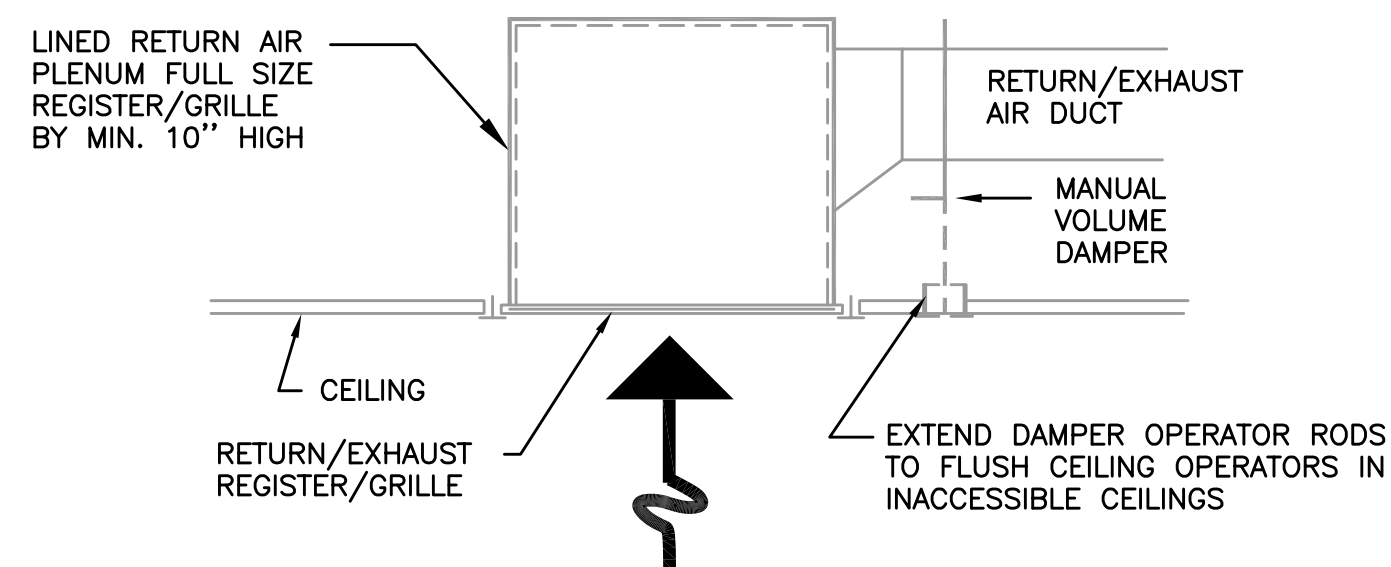
4 RELIEF VENT

M6.01 SCALE: DETAIL



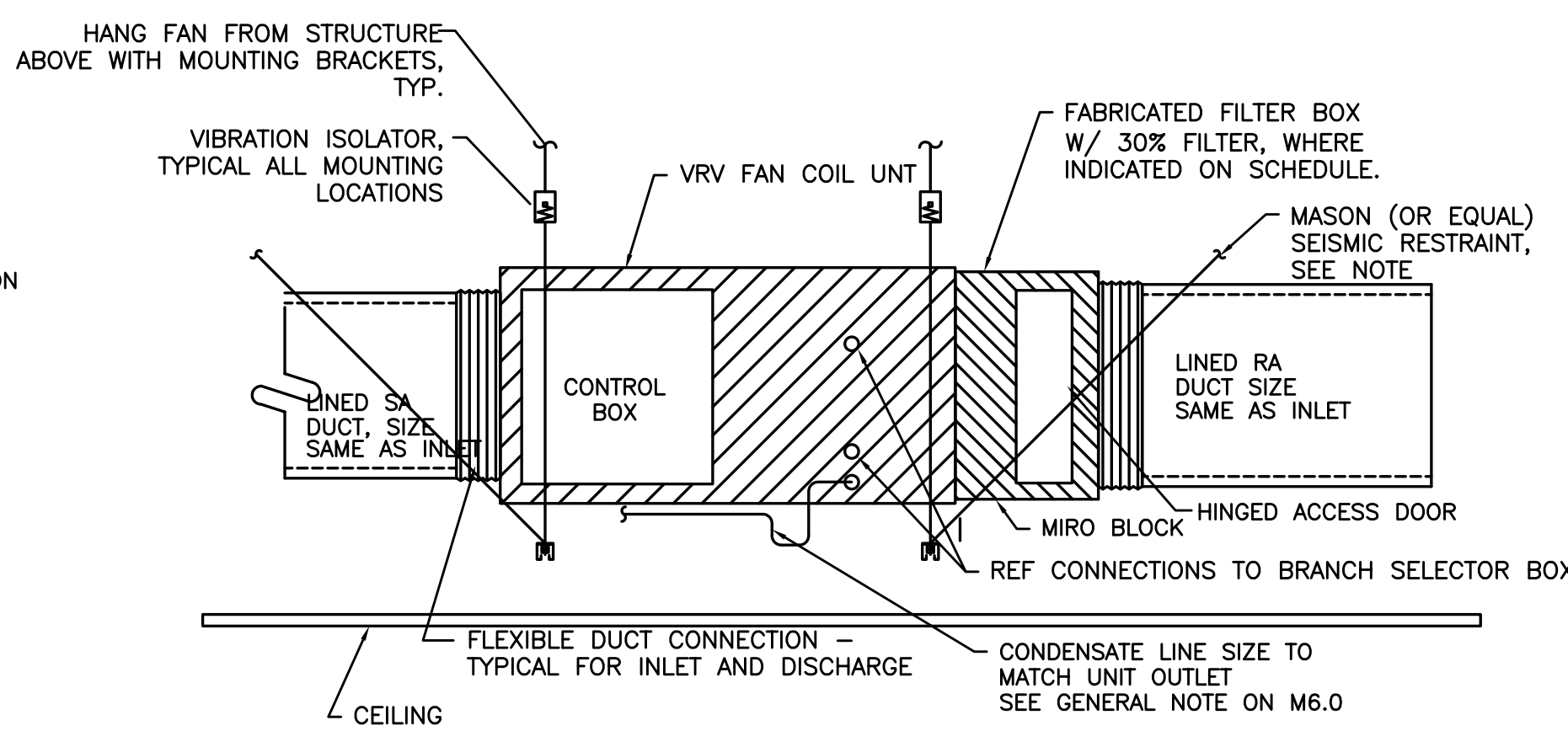
6 PIPE HOOD DETAIL

M6.01 SCALE: DETAIL



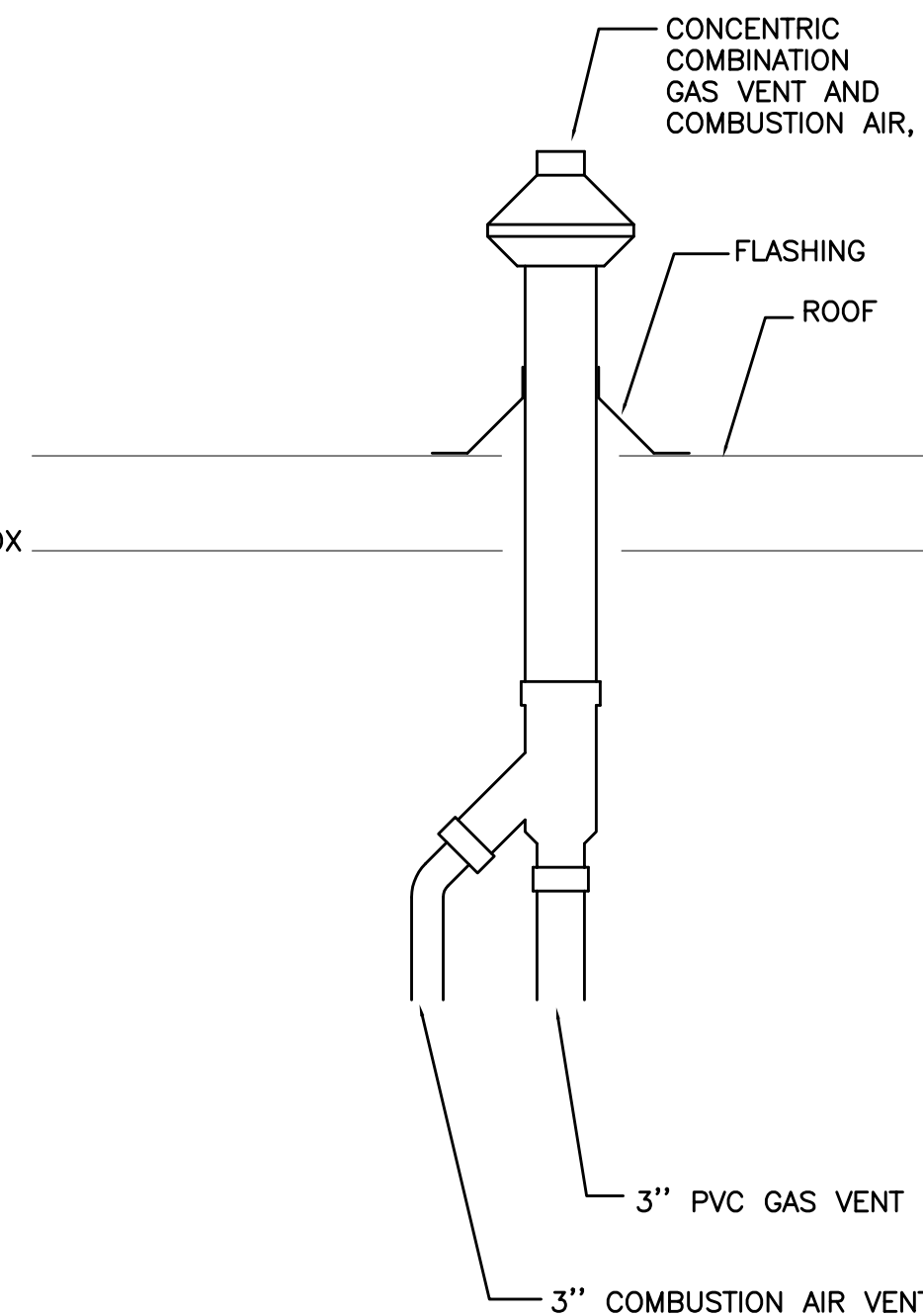
7 RA GRILLE DETAILS

M6.01 SCALE: DETAIL



5 VRV DUCTED FAN COIL (FC)

M6.01 SCALE: DETAIL



8 CONCENTRIC GAS VENT

M6.2 DETAIL



M Consulting Engineers
2007 S.E. Ash St.
Portland, OR 97214
PH: (503) 234-0548
FAX: (503) 234-0877
INC. WWW.MFIA-ENG.COM
CONTACT: TAKAKO BAKER

PERMIT SET

07.22.2016

Issue:	date:
100% SD	10.15.15
50% DD	12.09.15
100% DD	02.05.16
50% CD	03.30.16
75% CD	04.27.16
PERMIT SET	07.22.16

revision:	date:
1 PERMIT REV (ADD 1)	01.24.17
2 PERMIT REV 2	02.09.17
3 PERMIT REV 3	03.08.17
4 CONST SET REV 4	03.31.17