



Phone: 541-772-2690  
 2113 Delta Waters Road, Medford, Oregon 97504  
 Fax: 541-772-2731  
 800-848-7339

# Submittal

PROJECT: **Table Rock Motel- Phase 2**

---

LOCATION: **Bandon, OR**

---

ARCHITECT: **HGE Architects**

---

ENGINEER: **MFIA**

---

CONTRACTOR: **Umpqua Sheetmetal**

---

DATE SUBMITTED: **11/23/2021**

---

PROJECT MANAGER: **Josh McKibben**                      EMAIL: [jmckibben@johnsonair.com](mailto:jmckibben@johnsonair.com)

---

ACCOUNT MANAGER: **Josh Fuchs**                      EMAIL: [jfuchs@johnsonair.com](mailto:jfuchs@johnsonair.com)

---

PLAN DATE: **9/21/2021**

---

ADDENDUMS: **1**

---

WE ARE PLEASED TO SUBMIT THE FOLLOWING LIST OF EQUIPMENT FOR APPROVAL. BASED UPON INFORMATION RECEIVED WE BELIEVE THIS MATERIAL CONFORMS TO THE SPECIFICATIONS. IT SHALL REMAIN THE CONTRACTOR'S RESPONSIBILITY TO VERIFY SIZES AND QUANTITIES PRIOR TO ORDER RELEASE. MATERIAL WILL BE RELEASED TO PRODUCTION UPON RETURN OF APPROVED SUBMITTALS TO JOHNSON AIR PRODUCTS AT 2220 S.E. 9TH AVE., PORTLAND, OREGON 97214.

MATERIAL SUBMITTED: **Electric Heaters**

---

SPECIFICATIONS: **23 8000**

---

MANUFACTURER: **King Electric/Cadet**

---

SHOP DRAWINGS AND PRODUCT DATA



Checking is only for general conformance with the design concept of the project and general compliance with the information given in the contract documents. Any action shown is subject to the requirements of the plans and specifications. Contractor is responsible for: Dimensions, which shall be confirmed and correlated at the job site; fabrication processes and techniques of construction; coordination of his work with that of all other trades; and the satisfactory performance of this work.

- NO EXCEPTION TAKEN
- REVIEWED AS NOTED
- REVISE AND RESUBMIT

DATE: 3-7-22

SIGNED: MATT AUTREY

(Please see attached literature)

ELECTRIC HEATER SCHEDULE											
QTY	TAG	MANUFACTURER	MODEL NUMBER	LENGTH	WEIGHT	HEATING ELEMENT		ELECTRICAL			NOTES
						STAGES	WATTS	VOLTS	PHASE	AMPS	
28	CH-1	KING ELECTRIC	KCV2012-W	94"	16.8	1	1125	208	1	5.4	1
4	EH-01	CADET	CSC202TW	-	7	1	2000/1500	240/208	1	8.3/7.2	2

**NOTES:**

- 1) KING ELECTRIC HEATER PACKAGE INCLUDES WHITE GRILLE, INTEGRAL THERMOSTAT, MOUNTING HARDWARE
- 2) CADET HEATER PACKAGE INCLUDES FULL NIT WITH STAT, WALL CAN, WHITE GRILLE

# Cove Heater alCove KCV Series


**Model Code:**

KCV	12	10
A	B	C
<b>A: Series</b>		
<b>B: 12 - 120V 20 - 208V</b>		
<b>24 - 240V</b>		
<b>C: Watts (210 - 1800)</b>		



- Radiant & Convection Heat
- Long Life Elements
- Silent Running
- Junction box at each end
- Extruded aluminum front panel
- Easy surface-mount installation
- Ribbed front for maximum surface radiation
- Open-back design for maximum convection
- 1/2" diameter knockouts for 1/2" conduit
- Standard color: white (almond optional)
- 2-year limited warranty



## The alCove KCV Series Cove Heater

The alCove KCV cove heater is a radiant heater that also produces convection heat by heating the air similar to a baseboard. By combining the quick comfort of radiant heat along with the sustained warmth of convection heat, warm air is uniformly dispersed throughout the room. The cove heater is mounted near the ceiling, eliminating furniture placement problems. Surface temperatures are lower than baseboard or fan heaters, making a pleasant form of heat similar to older ceiling cable heating systems. With no moving parts this heater is quiet and maintenance free. Typical uses are day care centers, assisted living housing, housing developments, laundry rooms, bathrooms, bedrooms.

### Ordering Information \* Add suffix -W for White or -A for Almond

	MODEL	VOLTS	WATTS	AMPS	LENGTH	SHIP WEIGHT lbs	
<b>120V</b>	KCV1202	120	210	1.8	24"	5.5	
	KCV1204	120	420	3.5	34"	6.7	
	KCV1206	120	560	4.7	47"	9.3	
	KCV1207	120	700	5.8	59"	11.2	
	KCV1209	120	840	7.0	71"	11.2	
	KCV1210	120	935	7.8	83"	15.3	
	KCV1212	120	1125	9.4	94"	16.8	
	KCV1215	120	1400	11.7	118"	26.0	
	<b>208V</b>	KCV2004	208	420	2.0	34"	6.7
		KCV2006	208	560	2.7	47"	9.3
KCV2007		208	700	3.4	59"	11.2	
KCV2009		208	840	4.0	71"	13.1	
KCV2010		208	935	4.5	83"	15.3	
KCV2012		208	1125	5.4	94"	16.8	
KCV2015		208	1400	6.7	118"	21.2	
KCV2018		208	1800	8.7	118"	21.2	
<b>240V</b>	KCV2404	240/208*	420/315	1.8/1.5	34"	6.7	
	KCV2406	240/208*	560/420	2.3/2.0	47"	9.3	
	KCV2407	240/208*	700/525	2.9/2.5	59"	11.2	
	KCV2409	240/208*	840/630	3.5/3.0	71"	13.1	
	KCV2410	240/208*	935/701	3.9/3.4	83"	15.3	
	KCV2412	240/208*	1125/844	4.7/4.0	94"	16.8	
	KCV2415	240/208*	1400/1050	5.8/5.0	118"	26.0	
	KCV2418	240/208*	1800/1350	7.5/6.5	118"	26.0	

\*Dual rated heaters will draw 13% less amps and 25% less wattage when operated at 208V.

# Cove Heater alCove KCV Series

## Accessories/Options

MODEL	DESCRIPTION	SHIP WEIGHT lbs
KCVT-1R	Single Pole Right side wiring thermostat	.25
KCVT-1L	Single Pole left side wiring thermostat	.25
KCVT-2R	Double Pole Right side wiring thermostat	.25
KCVT-2L	Double Pole Left side wiring thermostat	.25
-W	White	
-A	Almond	

## Engineering Specifications

### Construction:

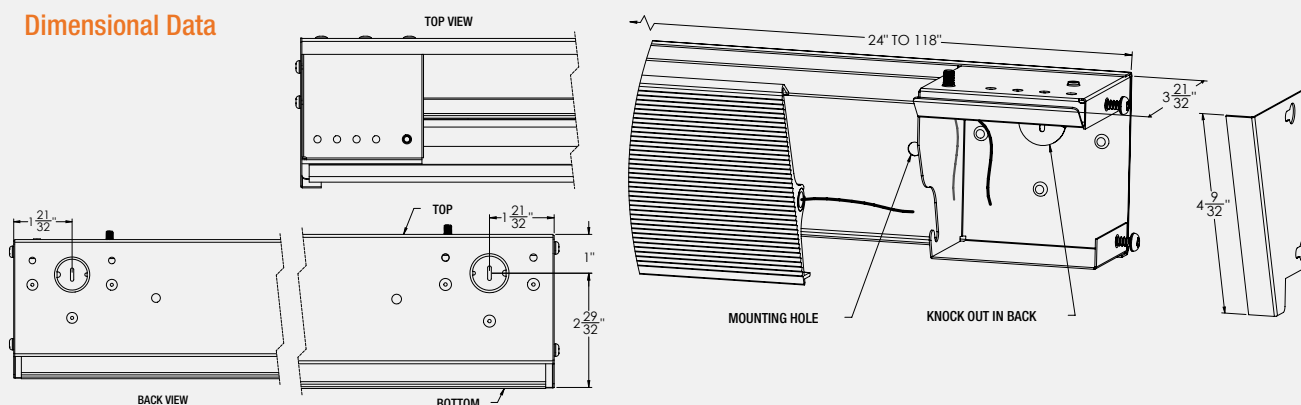
- Constructed of extruded aluminum with a maximum cross section thickness of .962".
- With sawtooth profile to increase radiating surface area.
- Open on top and bottom for maximum convection heating room air.
- With 32 cubic inch junction box at both ends, furnished with 1/2" knockouts on back and top.
- Ni-Chrome wire embedded in Magnesium Oxide powder enclosed and sealed in aluminum sheath.

- Element wattage density of approximately 150 watts per linear foot.
- With full length back case constructed of 22 gauge electrogalvanized steel with baked enamel finish.
- Two year limited warranty.

### Ratings and Approvals:

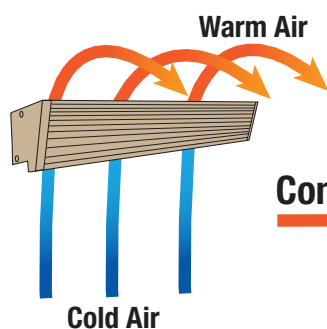
- The heaters shall be available in ratings from 250 - 1800 watts at 120 and 208/240 Volts.
- cULus

### Dimensional Data

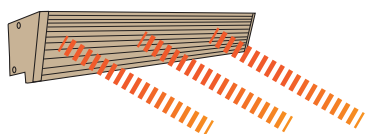


### MINIMUM CLEARANCE

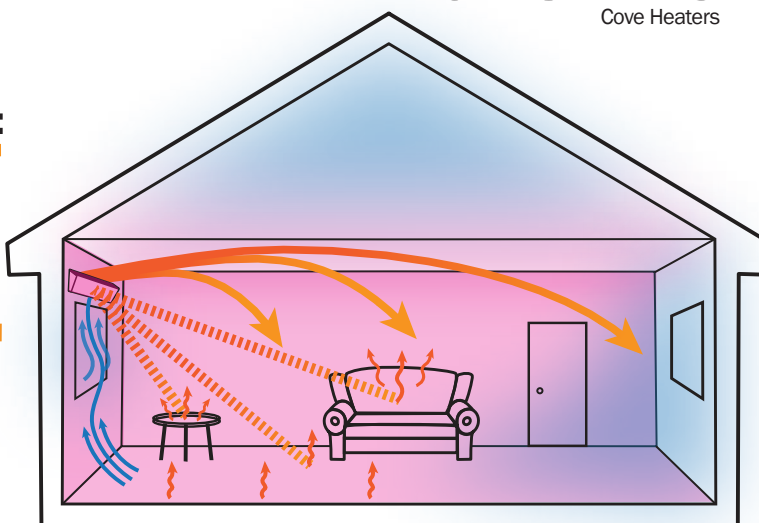
Heaters are not to be mounted closer than 2½" from drywall ceiling or 6" from vinyl or drop ceiling. Heaters to be mounted at least 6 feet from floor.



### Convection:



### Radiant:



# COM-PAK

Perfectly simple warmth  
for any room



- Efficient, quiet fan
- Warm up in a hurry with a fast-heating element
- Unique compact design is recess mounted into your wall to suit any room
- All metal surfaces are powder-coated paint to remove sharp edges and provide a durable finish
- Easy to install
- Rest easy – includes high temperature safety shutoff
- Available with or without built-in thermostat

Get warm on your terms with our most popular wall heater. The Com-Pak is an efficient, affordable way to add warmth without installing ductwork. Our hard wired heaters have proven safety features and multiple installation options, so your family can enjoy safe, sensible warmth for years.

## ARCHITECTURAL - ENGINEERING INFORMATION

Fan forced up flow electric air heaters are ETL listed, factory rated at 120V, 208V, and dual field rated 208V/240V. A powder coated 20 gauge wall mounting can with six knockouts and 34 cubic inch wiring compartment is provided with each complete heater. Each complete heater is powder coated, of unitized construction and attaches to the wall can with a single screw and is self-contained and completely separate from the wall mounting can. Element is of nichrome type wire wrapped on mica insulators with a 16 amp rated, at 240V, high temperature manual power reset limit switch, and a one-time over temperature thermal back-up fuse, both located on the element board in the heated air flow for faster response time to abnormal conditions. A two stage centrifugal blower delivering approximately 40 to 55 CFM is driven by an impedance protected motor. The motor is totally isolated from the heating chamber. Metal grill is of one piece, 20-gauge construction and finished with a powder coat paint system.

## TECHNICAL INFORMATION

UL safety standards require the heater to be placed a minimum distance of 3/4 inches (1.9 cm) from adjacent surfaces and 4-1/2 inches (11.4 cm) from the floor. Manufacturer recommends installations 12 inches from all surfaces for longer and cleaner performance. All models 1500 watts or less may be ceiling mounted. A 3-foot (91.4 cm) minimum clearance is required for furniture or other objects placed directly in front of the heater.

Electric wall heaters and thermostats work best when installed on an inside wall.

**CADET**   
INVITING WARMTH

cadetheat.com  
855.CADET.US  
Vancouver, Washington



Intertek  
tested to UL  
standards

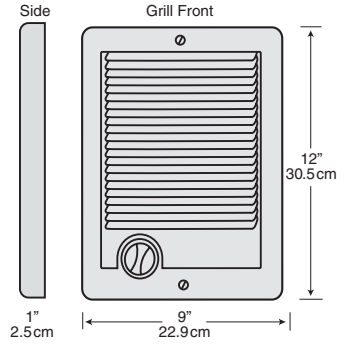
# COM-PAK

Grill: 9"W x 12"H x 1"D • Rough-in: 8"W x 10-1/8"H x 4"D

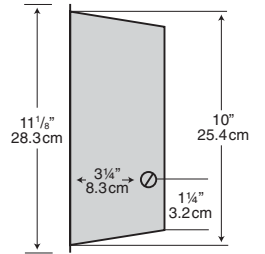
Thermostat temperature range 40°F to 85°F

Heater assemblies require a wall can, grill kit, and may require a thermostat

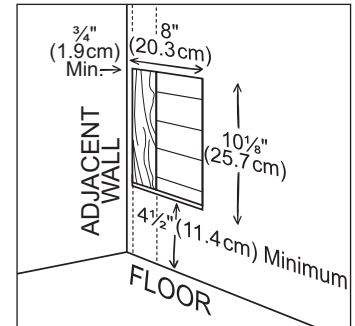
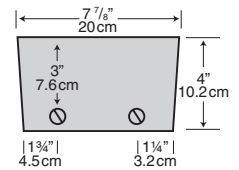
PART	MODEL*	DESCRIPTION	WATTS	VOLTS	AMPS	BTUS	WT/LBS
67508	CSC101TW	Complete unit with stat, wall can & grill, white or almond	1000	120	8.3	3415	7
67580	CSC101TA						
67509	CSC151TW	"	1500	120	12.5	5120	7
67581	CSC151TA						
67505	CSC102TW	"	1000/750	240/208	4.2/3.6	3415/2560	7
67577	CSC102TA						
67506	CSC152TW	"	1500/1125	240/208	6.3/5.4	5120/3840	7
67578	CSC152TA						
67507	CSC202TW	"	2000/1500	240/208	8.3/7.2	6825/5120	7
67579	CSC202TA						
67549	CSC101	Complete unit w/o stat, with wall can & grill	1000	120	8.3	3415	7
67553	CSC151	"	1500	120	12.5	5120	7
67541	CSC102	"	1000	240/208	4.2/3.6	3415/2560	7
67543	CSC152	"	1500	240/208	6.3/5.4	5120/3840	7
67544	CSC202	"	2000	240/208	8.3/7.2	6825/5120	7
67550	CS051	Heater assembly w/o thermostat	500	120	4.2	1710	3.5
67560	CS051T	Heater assembly with thermostat					4
67515	CS101	"	1000	120	8.3	3415	3.5
67523	CS101T	"					4
67516	CS151	"	1500	120	12.5	5120	3.5
67524	CS151T	"					4
67563	CS058	"	563	208	2.7	1925	3.5
67573	CS058T	"					4
67564	CS078	"	750	208	3.6	2560	3.5
67589	CS078T	"					4
67557	CS108	"	1000	208	4.8	3415	3.5
67586	CS108T	"					4
67569	CS118	"	1125	208	5.4	3840	3.5
67598	CS118T	"					4
67571	CS158	"	1500	208	7.2	5120	3.5
67599	CS158T	"					4
67517	CS208	"	2000	208	9.6	6825	3.5
67525	CS208T	"					4
67584	CS052	"	500/375	240/208	2.1/1.8	1710/1280	3.5
67585	CS052T	"					4
67510	CS072	"	750/563	240/208	3.1/2.7	2560/1925	3.5
67518	CS072T	"					4
67511	CS102	"	1000/750	240/208	4.2/3.6	3415/2560	3.5
67519	CS102T	"					4
67512	CS122	"	1250/937	240/208	5.2/4.5	4265/3200	3.5
67520	CS122T	"					4
67513	CS152	"	1500/1125	240/208	6.3/5.4	5120/3840	3.5
67521	CS152T	"					4
67514	CS202	"	2000/1500	240/208	8.3/7.2	6825/5120	3.5
67522	CS202T	"					4



Wall Can Side



Wall Can Bottom

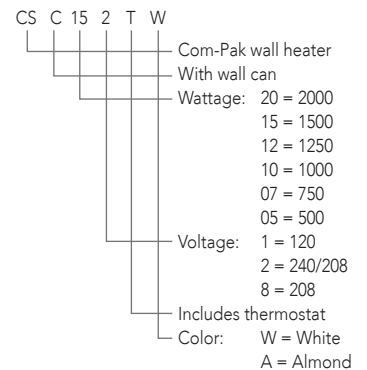


**ROUGH-IN: 8"W X 10-1/8"H X 4"D**

## WALL HEATER ACCESSORIES (MODEL CS)

PART	MODEL*	DESCRIPTION	VOLTS	AMPS	WT/LBS
67061	CC	Wall can for model CS, single or 10-pack			2.8
67060	CC10				22.5
69110	CCSMB	Surface mount wall can for model CS, black, white or almond			4.4
69111	CCSMW				
69112	CCSMA				
67079	CGW	Vertical grill kit for model CS, single or 10-pack, white			1.5
67081	CGW10				12.3
67075	CGA	Vertical grill kit for model CS, single or 10-pack, almond			1.5
67080	CGA10				12.3
65015	CMGA	Horizontal grill kit for model CS, single or 5-pack, almond			2.0
65016	CMGA5				7.5
65005	CMGW				2.0
65006	CMGW5	Horizontal grill kit for model CS, single or 5-pack, white			7.5
67063	CTT1W	Built-in thermostat kit for model CS, single pole, 40°F to 85°F, white or almond	240/208/120	22	.2
67065	CTT1A				
67064	CTT2W	Built-in thermostat kit for model CS, double pole, 40°F to 85°F, white or almond	240/208/120	22	.2
67066	CTT2A				
67067	CTT1P	Built-in thermostat kit, tamper proof for model CS, single pole, 40°F to 85°F	240/208/120	22	.2
67105	CAMW	Adapter plate for model CS, 18-1/2" w x 22" h, white or almond			3.5
67100	CAMA				
67115	SAMW	Adapter plate for model CS, 12" w x 21-1/4" h, white or almond			2
67110	SAMA				
67088	FWAP	Adapter kit repurposes outdated model FW wall can and grill, use with model CS heater assembly			1

## Model No. Code



If horizontal mounting is preferred for heater assemblies without thermostat, use model CMGA or CMGW.

\*Suffix W or A in model designates color