



Phone: 541-772-2690
 2113 Delta Waters Road, Medford, Oregon 97504
 Fax: 541-772-2731
 800-848-7339

Submittal

PROJECT: **Table Rock Motel- Phase 2**
 LOCATION: **Bandon, OR**
 ARCHITECT: **HGE Architects**
 ENGINEER: **MFIA**
 CONTRACTOR: **Umpqua Sheetmetal**
 DATE SUBMITTED: **3/1/2022**
 PROJECT MANAGER: **Josh McKibben** EMAIL: jmckibben@johnsonair.com
 ACCOUNT MANAGER: **Josh Fuchs** EMAIL: jfuchs@johnsonair.com
 PLAN DATE: **9/21/2021**
 ADDENDUMS: **1, PR #6**

WE ARE PLEASED TO SUBMIT THE FOLLOWING LIST OF EQUIPMENT FOR APPROVAL. BASED UPON INFORMATION RECEIVED WE BELIEVE THIS MATERIAL CONFORMS TO THE SPECIFICATIONS. IT SHALL REMAIN THE CONTRACTOR'S RESPONSIBILITY TO VERIFY SIZES AND QUANTITIES PRIOR TO ORDER RELEASE. MATERIAL WILL BE RELEASED TO PRODUCTION UPON RETURN OF APPROVED SUBMITTALS TO JOHNSON AIR PRODUCTS AT 2220 S.E. 9TH AVE., PORTLAND, OREGON 97214.

MATERIAL SUBMITTED: **Ceiling Radiation Damper**
 SPECIFICATIONS: **N/A - Per Drawings**
 MANUFACTURER: **Panasonic**

SHOP DRAWINGS AND PRODUCT DATA



Checking is only for general conformance with the design concept of the project and general compliance with the information given in the contract documents. Any action shown is subject to the requirements of the plans and specifications. Contractor is responsible for: Dimensions, which shall be confirmed and correlated at the job site; fabrication processes and techniques of construction; coordination of his work with that of all other trades; and the satisfactory performance of this work.

- NO EXCEPTION TAKEN
- REVIEWED AS NOTED
- REVISE AND RESUBMIT

DATE: 3-7-22 SIGNED: MATT AUTREY

(Please see attached literature)

Specification Submittal Data

Panasonic Radiation Damper for Non-Combustible Assemblies

Description:

Radiation damper shall be assembled with select ENERGY STAR® rated ventilation fans, fan/lights and fans with motion/condensation sensors. Damper shall be UL and cUL listed for T-bar, hanger rod/wire ceiling installation and exceed UL 555C for use in 3-hour fire rated floor/ceiling or roof/ceiling assemblies, Damper shall exceed National Fire Protection Agency NFPA-90A.

Features:

- UL 555C listed for use in a 1, 2 or 3 hour fire rated floor/ceiling and roof/ceiling designs.*
- 165 degree Fahrenheit fusible link.
- High-temperature, non-asbestos, reinforced fiber thermal fabric.
- Galvanized steel frame.
- Damper sleeve allows for fan/motor access for ongoing maintenance or framing/drywall/paint installation staging.

UL listed assembly with Panasonic ENERGY STAR® models:

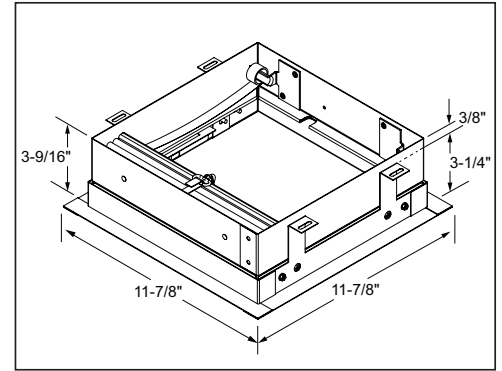
WhisperGreen® Select
VENTILATION FAN
FV-0511VK2, FV-0511VKL2, FV-0511VKS2, FV-0511VKSL2, FV-1115VK2, FV-1115VKL2.

WhisperCeiling® DC
VENTILATION FAN
FV-0511VQ1, FV-1115VQ1, FV-0511VQL1, FV-1115VQL1

WhisperSense® DC
VENTILATION FAN
FV-0511VQC1, FV-0511VQCL1

WhisperFit® DC
VENTILATION FAN
FV-0511VF1, FV-0511VFC1, FV-0511VFL1, FV-0511VFL1K

WhisperValue® DC
VENTILATION FAN
FV-0510VS1, FV-0810VSS1, FV-0510VSC1, FV-0510VSL1, FV-0810VSSL1, FV-0510VSSL1.



PC-RD05C5

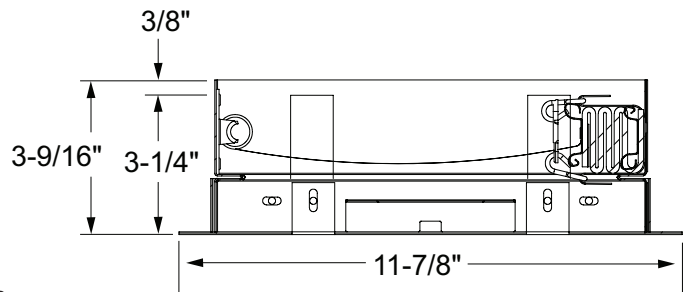
* UL and Warnock Hersey 555C classification for 1, 2 or 3 hour Non-Combustible Assemblies.



File #: 3225-1598-100



File #: WHI-495-PSH-0177, -0178



For complete Installation Instructions visit us.panasonic.com/ventfans

Model	Quantity	Comments	Project:
PC-RD05C5	7 EACH	CEILING RADIATION DAMPER	Location:
			Architect:
			Engineer:
			Contractor:
			Submitted by:
			Date:

Panasonic Life Solutions Company of America
IAQ Division
Two Riverfront Plaza
Newark, NJ 07102
us.panasonic.com/ventfans