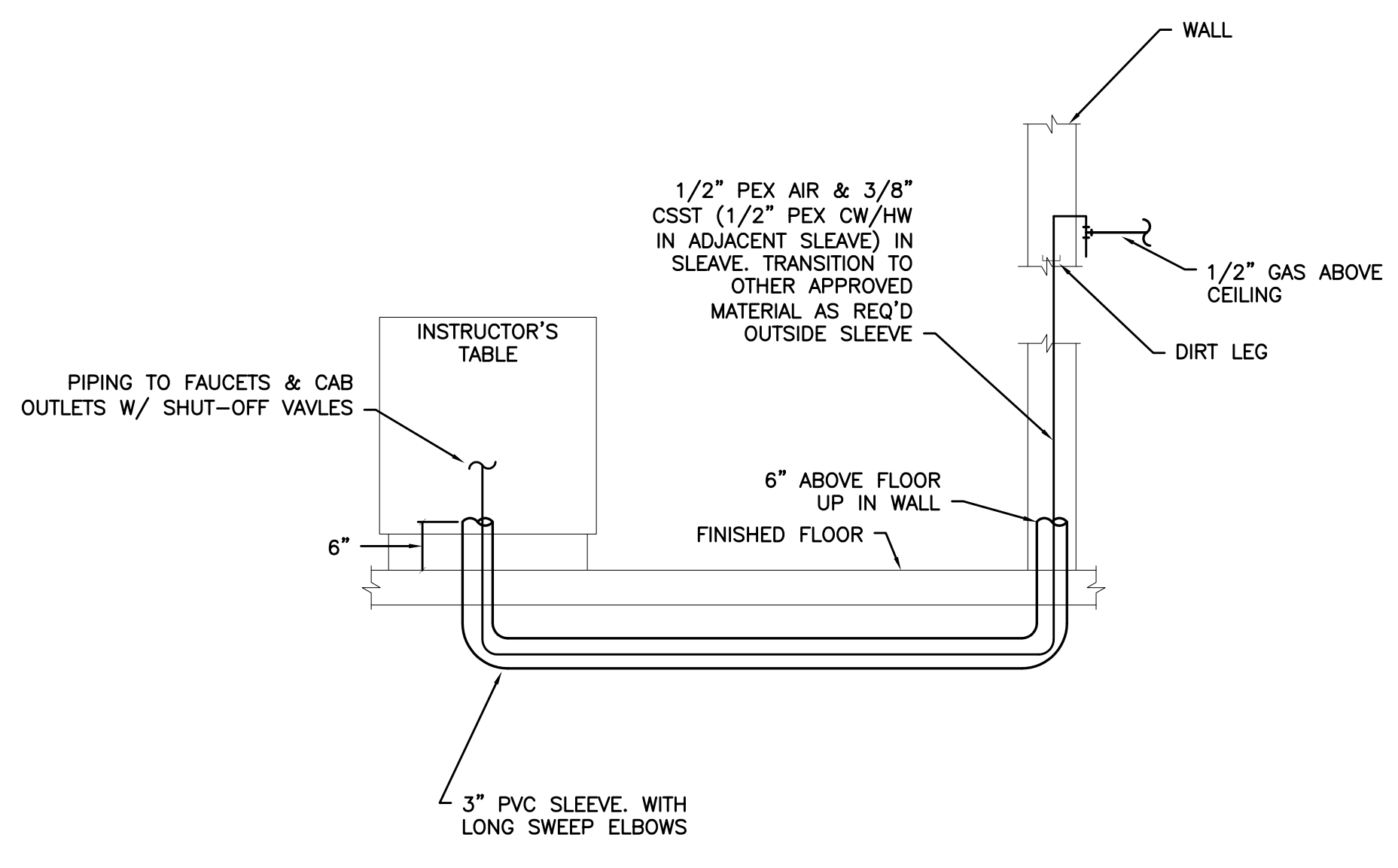
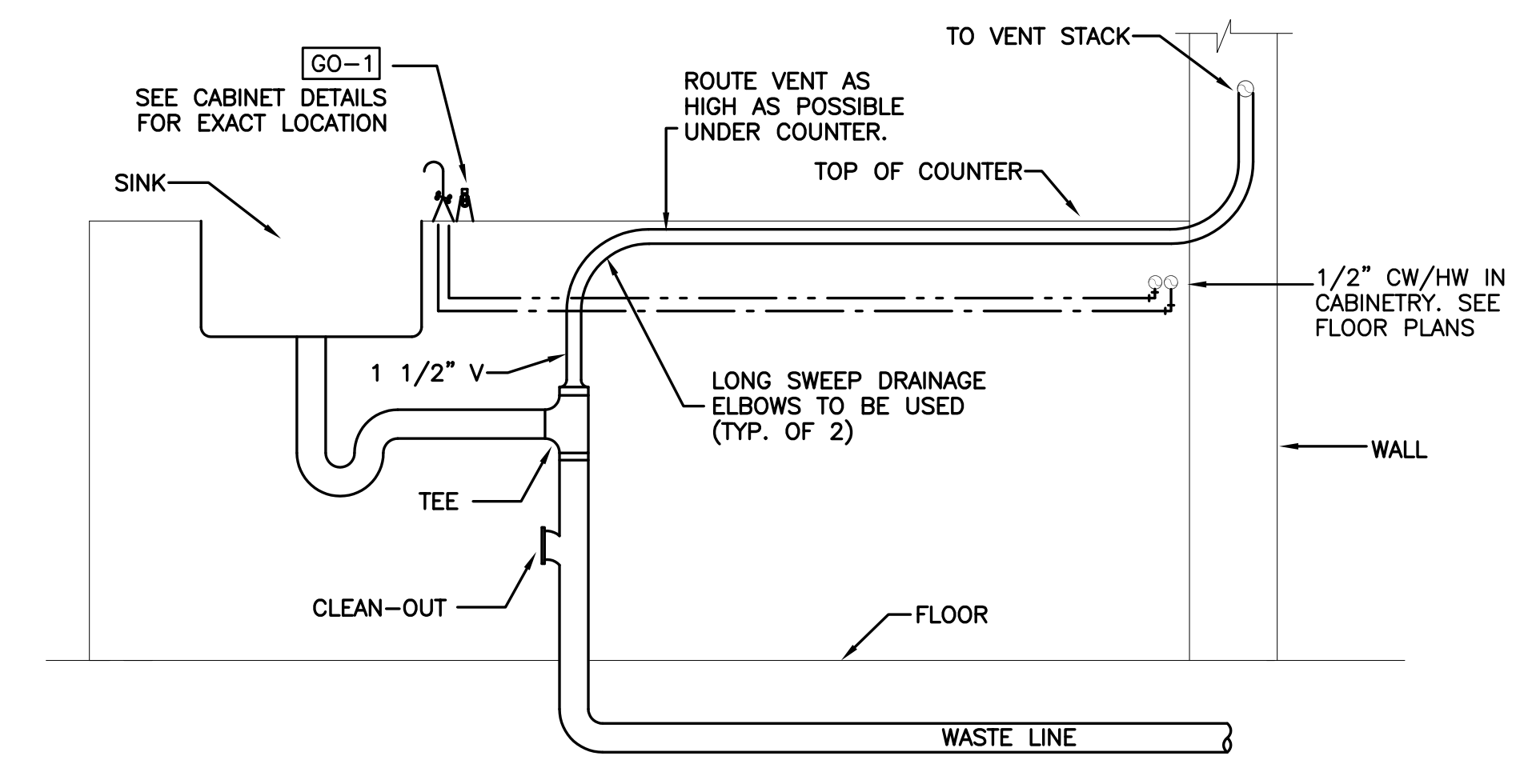


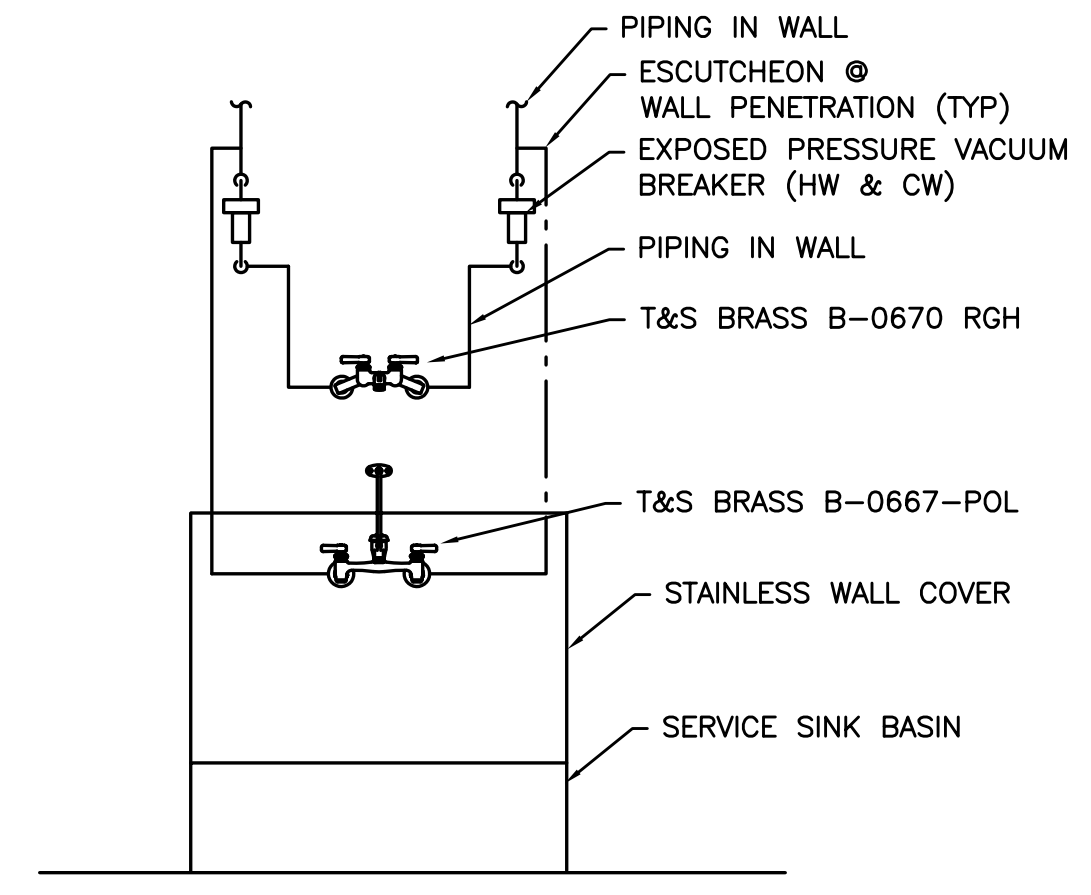
**1 SINK REINFORCEMENT**  
 P6.01 SCALE: DETAIL



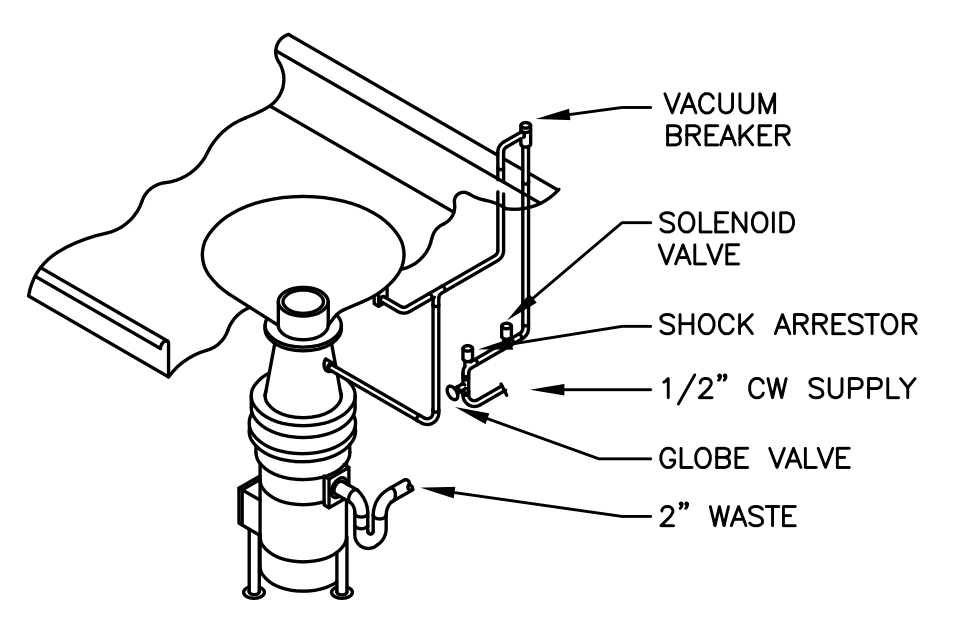
**2 SCIENCE ISLAND CONDUIT DETAIL**  
 P6.02 SCALE: DETAIL



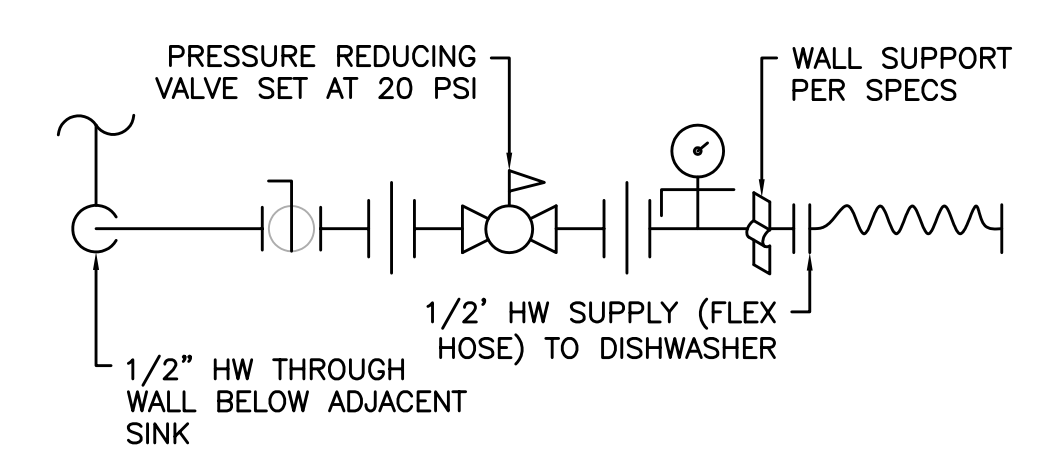
**3 PENINSULA SINK**  
 P6.02 SCALE: DETAIL



**4 SERVICE SINK**  
 P6.02 SCALE: DETAIL



**5 DISPOSER**  
 P6.02 SCALE: DETAIL

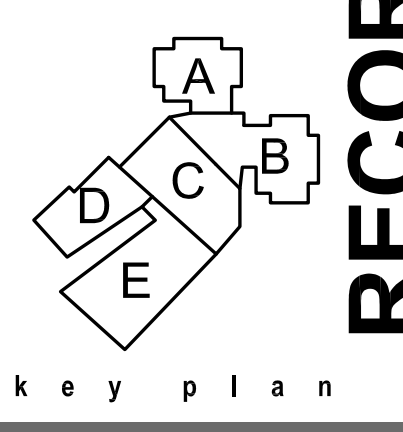


**6 DISHWASHER CONNECTION**  
 P6.02 SCALE: DETAIL

**NEW PARKROSE MIDDLE SCHOOL - PACKAGE 2**  
**Parkrose School District**  
 Project Address: 11800 NE Shaver Street, Portland, OR 97220  
 t: (503) 408-2900 f: (503) 408-2998

**MFA INC.** Consulting Engineers  
 2007 S.E. Ash St.  
 Portland, OR 97214  
 PHN: (503) 234-0548  
 FAX: (503) 234-0677  
 WWW.MFA-ENG.COM  
 CONTACT: ANTONIO JOHNSON

**RECORD DRAWINGS**



phase	RECORD DRAWING
date	11/09/2015
revisions	
project #	11082

PLUMBING SCHEDULES

**P6.02**

**RECORD DRAWING:**  
 THIS DRAWING HAS BEEN UPDATED TO REFLECT CHANGES MADE DURING CONSTRUCTION BASED UPON INFORMATION FURNISHED TO THE ENGINEER BY THE INSTALLATION CONTRACTOR. NO WARRANTY, EITHER EXPLICIT OR IMPLIED IS GIVEN BY MFA, INC. AS TO THE ACCURACY AND/OR COMPLETENESS OF THIS INFORMATION.