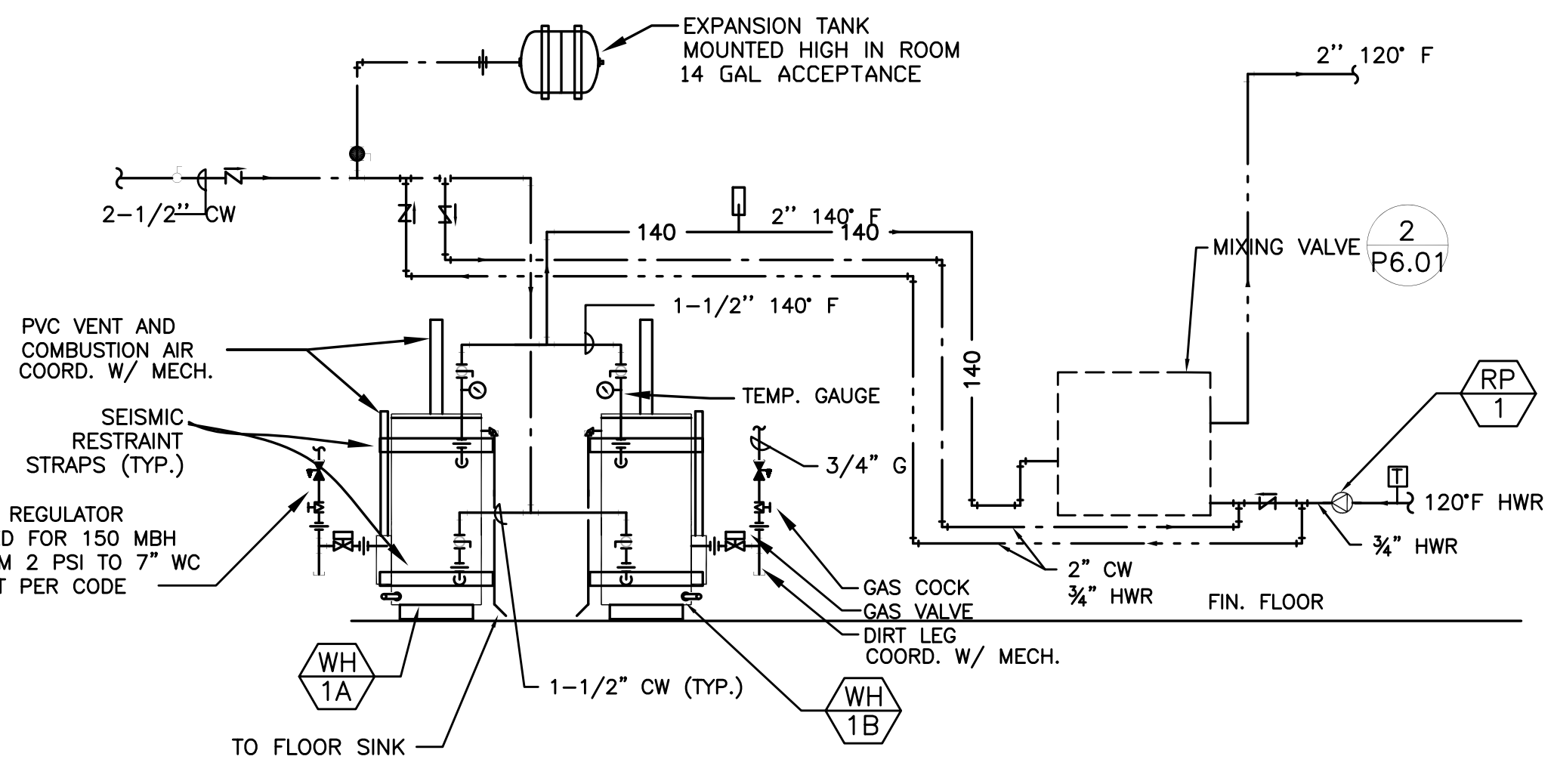


phase	RECORD DRAWING
date	11/09/2015
revisions	
project #	11082

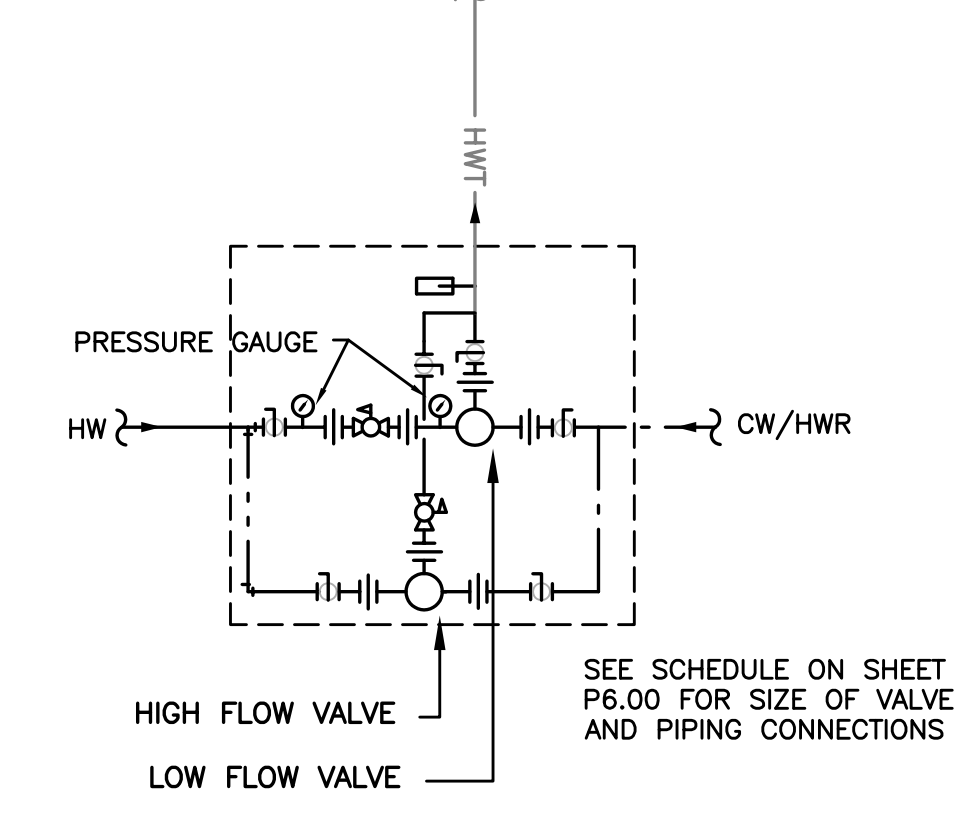
PLUMBING SCHEDULES

P6.01

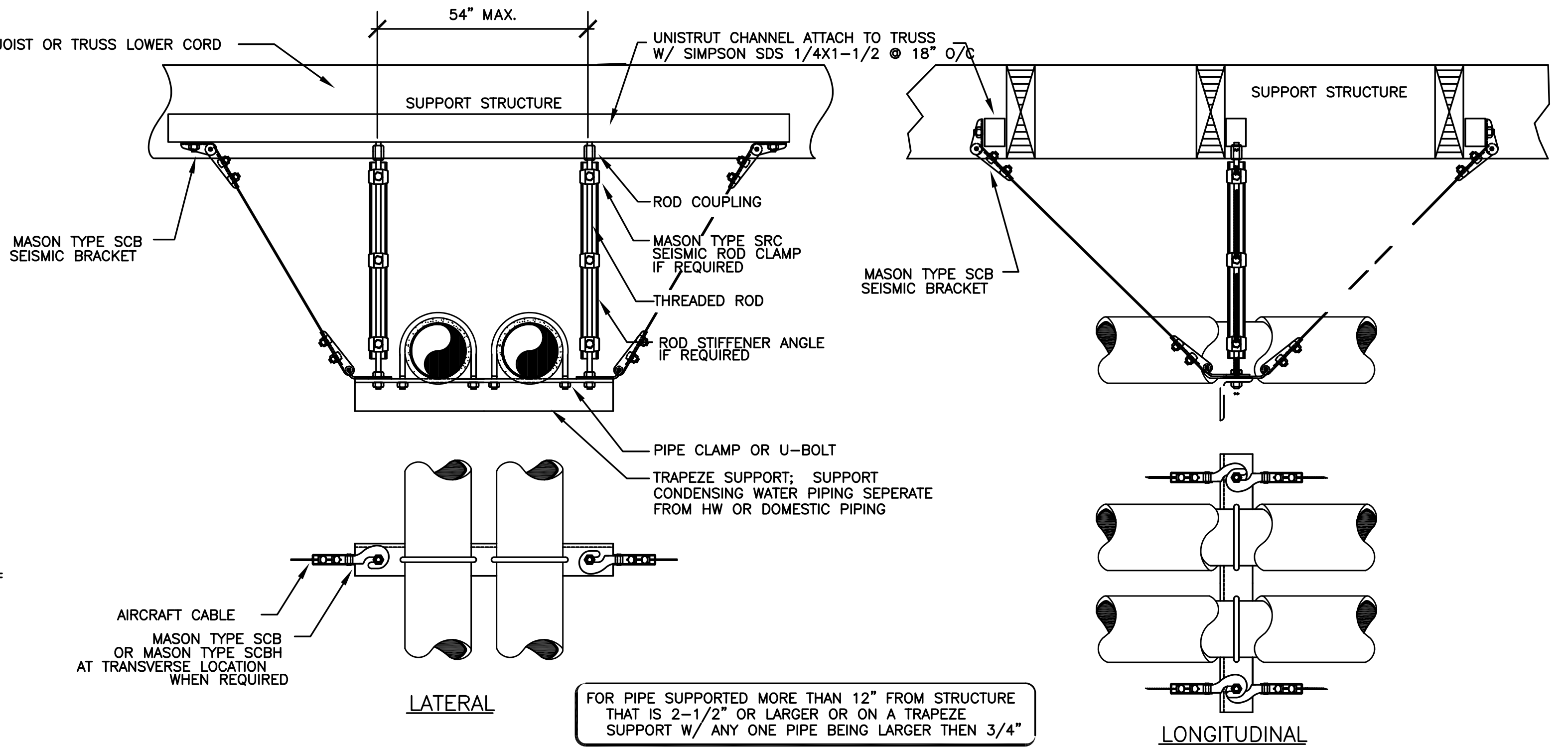
RECORD DRAWING:
 THIS DRAWING HAS BEEN UPDATED TO REFLECT CHANGES MADE DURING CONSTRUCTION BASED UPON INFORMATION FURNISHED TO THE ENGINEER BY THE INSTALLATION CONTRACTOR. NO WARRANTY, EITHER EXPLICIT OR IMPLIED IS GIVEN BY MEFA, INC. AS TO THE ACCURACY AND/OR COMPLETENESS OF THIS INFORMATION.



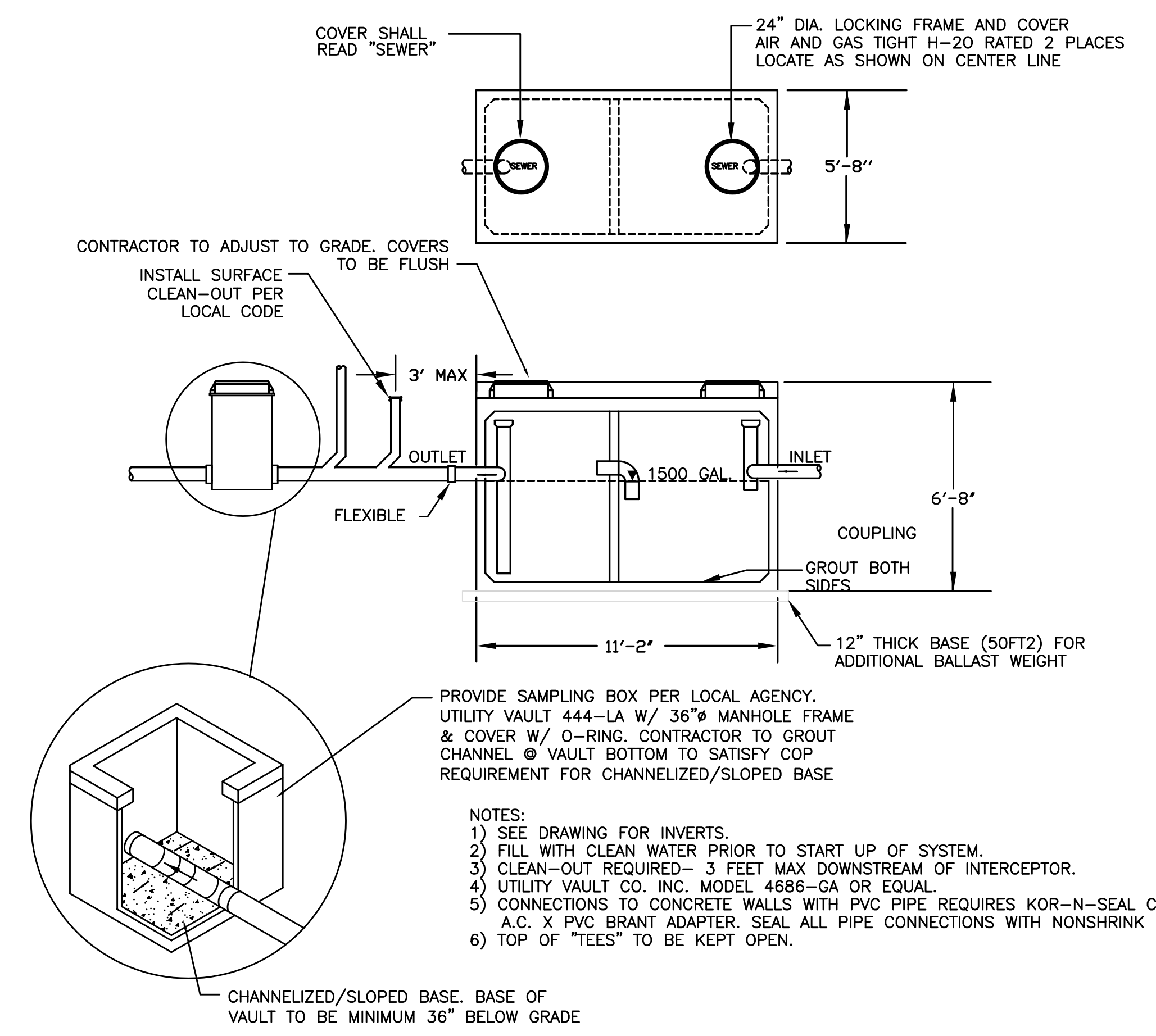
1 WATER HEATER (WH-1A-1B)
 SCALE: DETAIL



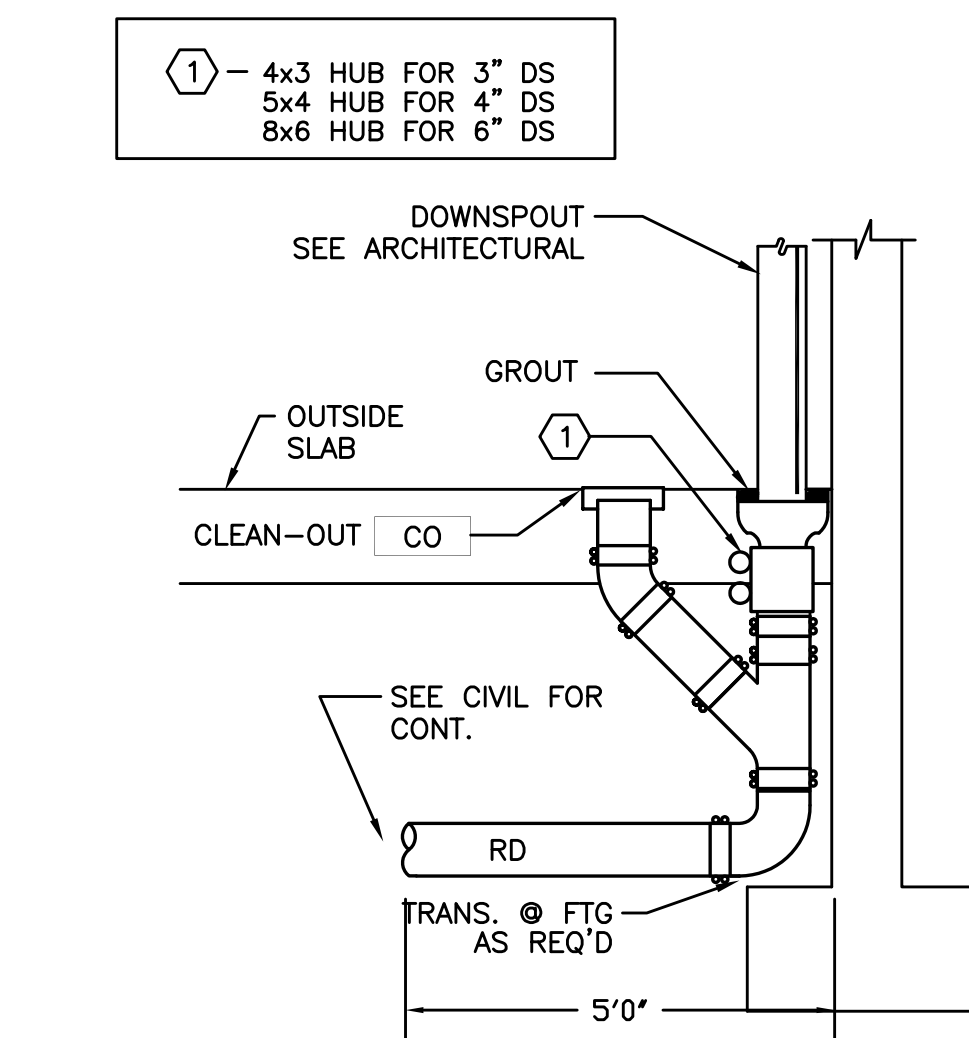
2 MIXING VALVE
 SCALE: DETAIL



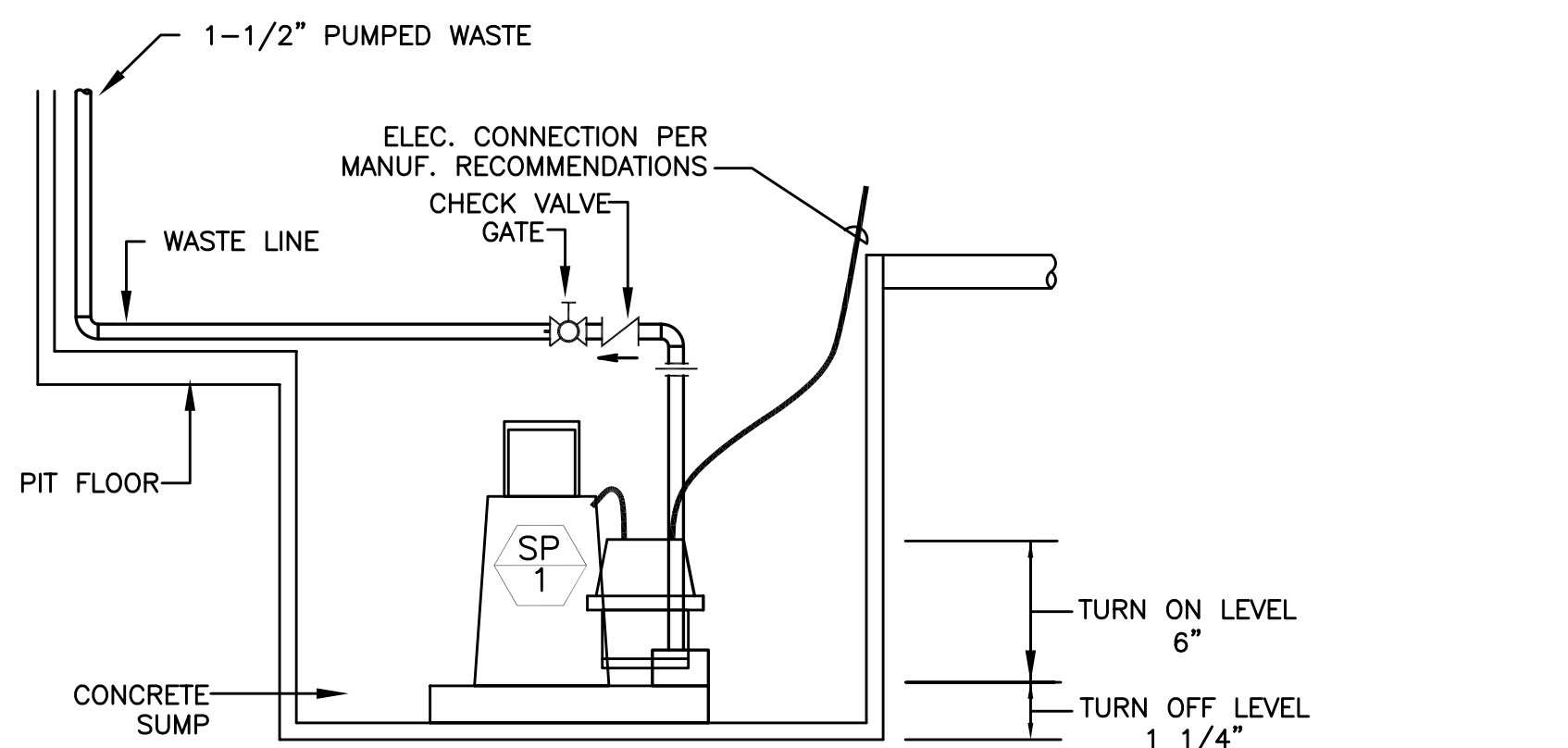
3 SEISMIC PIPE SUPPORT
 SCALE: DETAIL



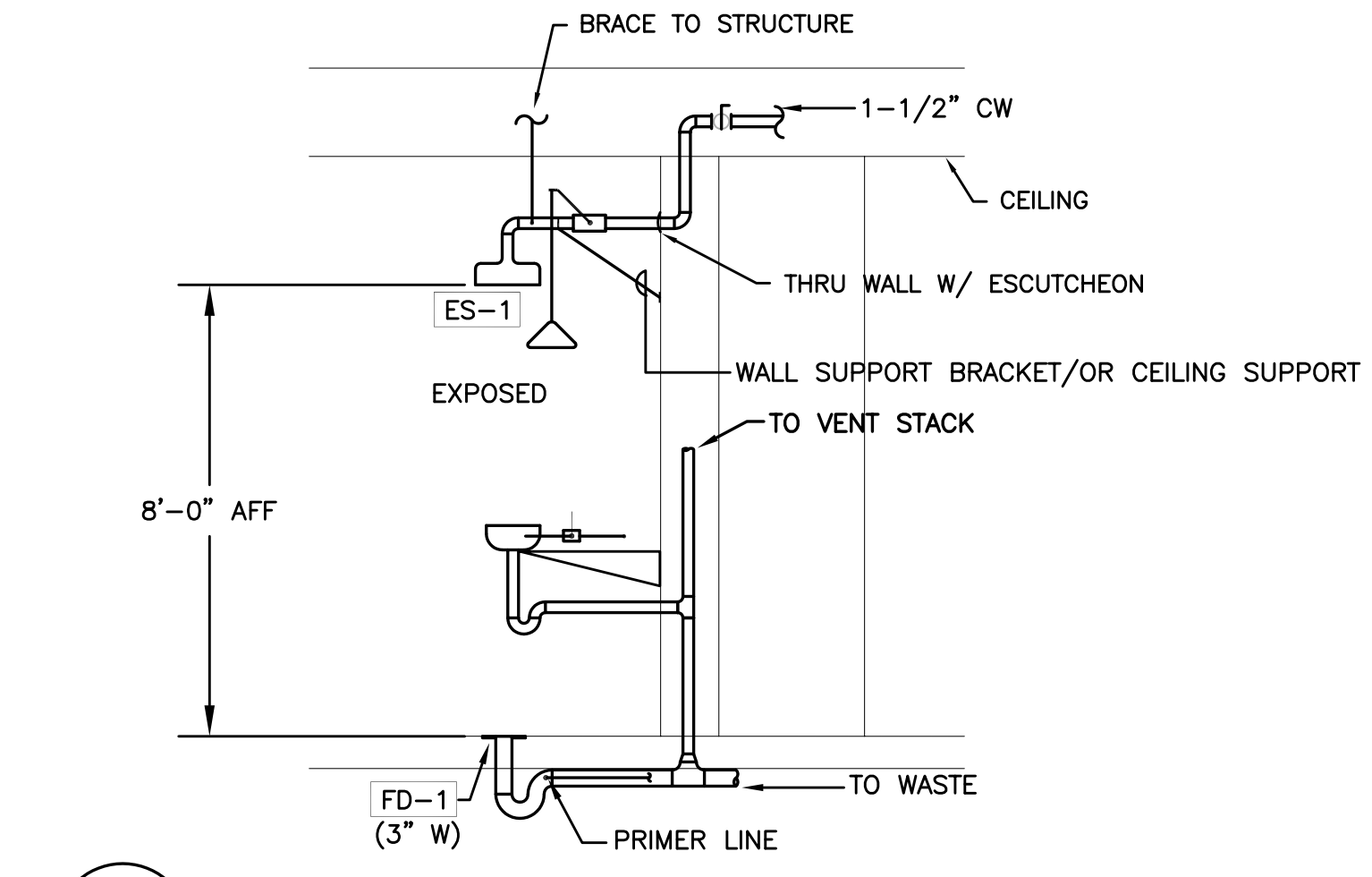
4 GREASE INTERCEPTOR
 SCALE: DETAIL



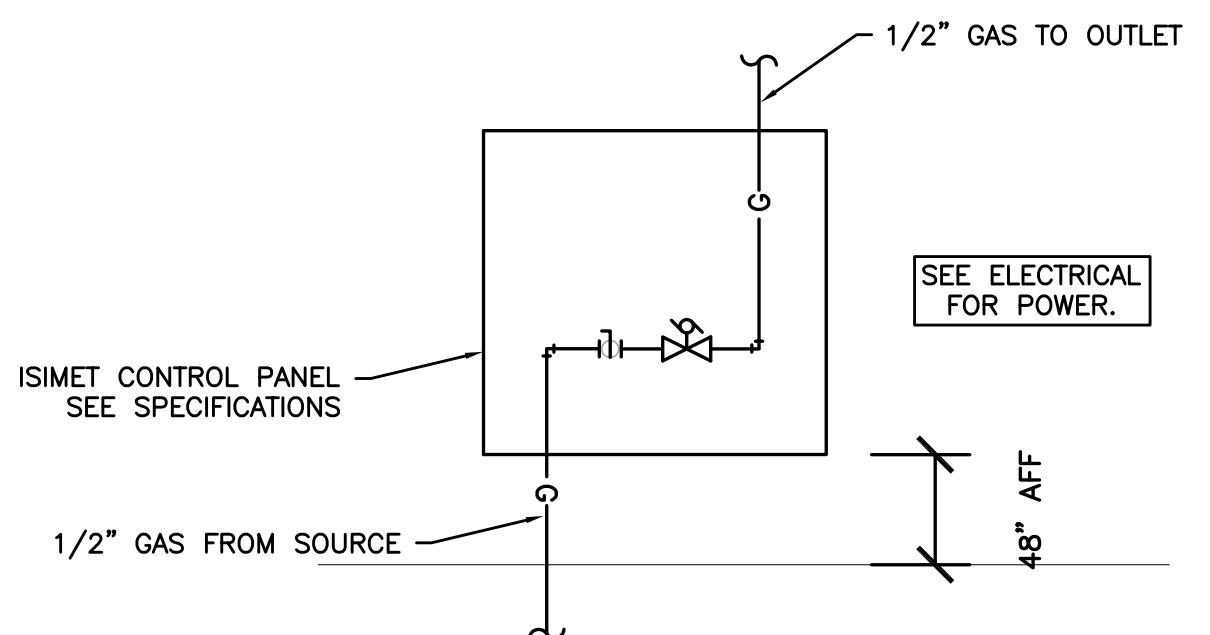
5 DOWN SPOUT DETAIL
 SCALE: DETAIL



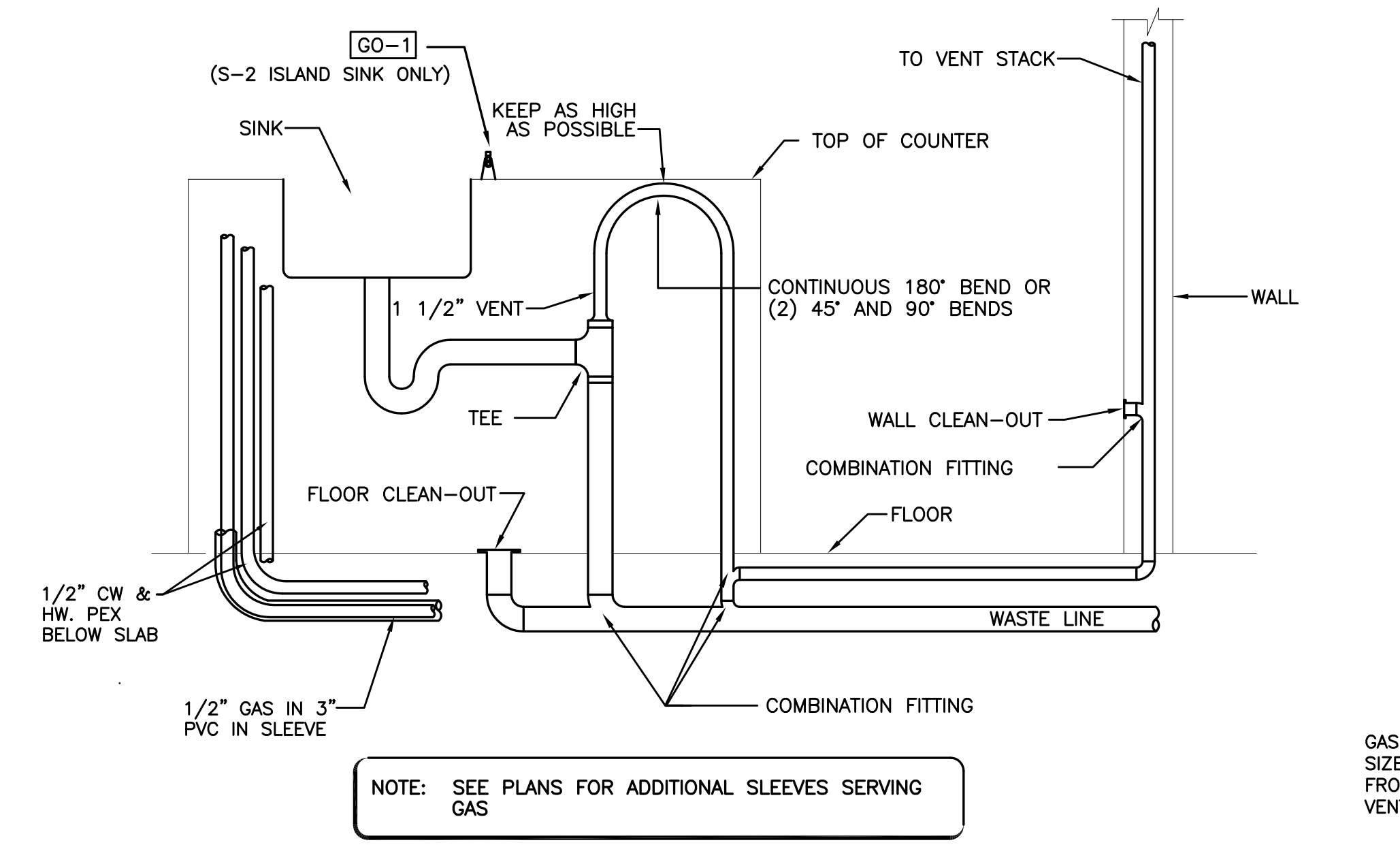
7 ELEVATOR SUMP PUMP
 SCALE: DETAIL



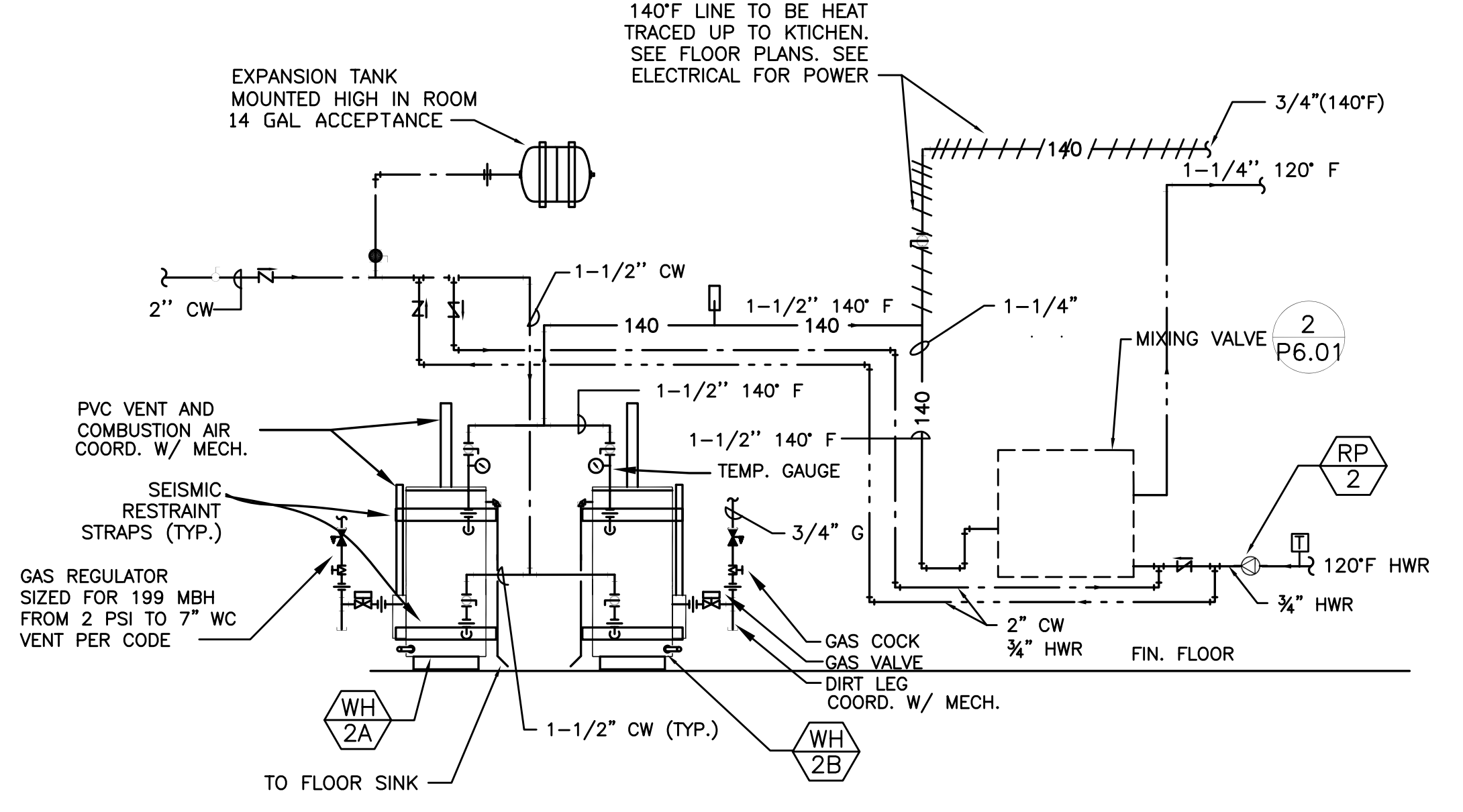
6 EMERGENCY SHOWER/EYEWASH
 SCALE: DETAIL



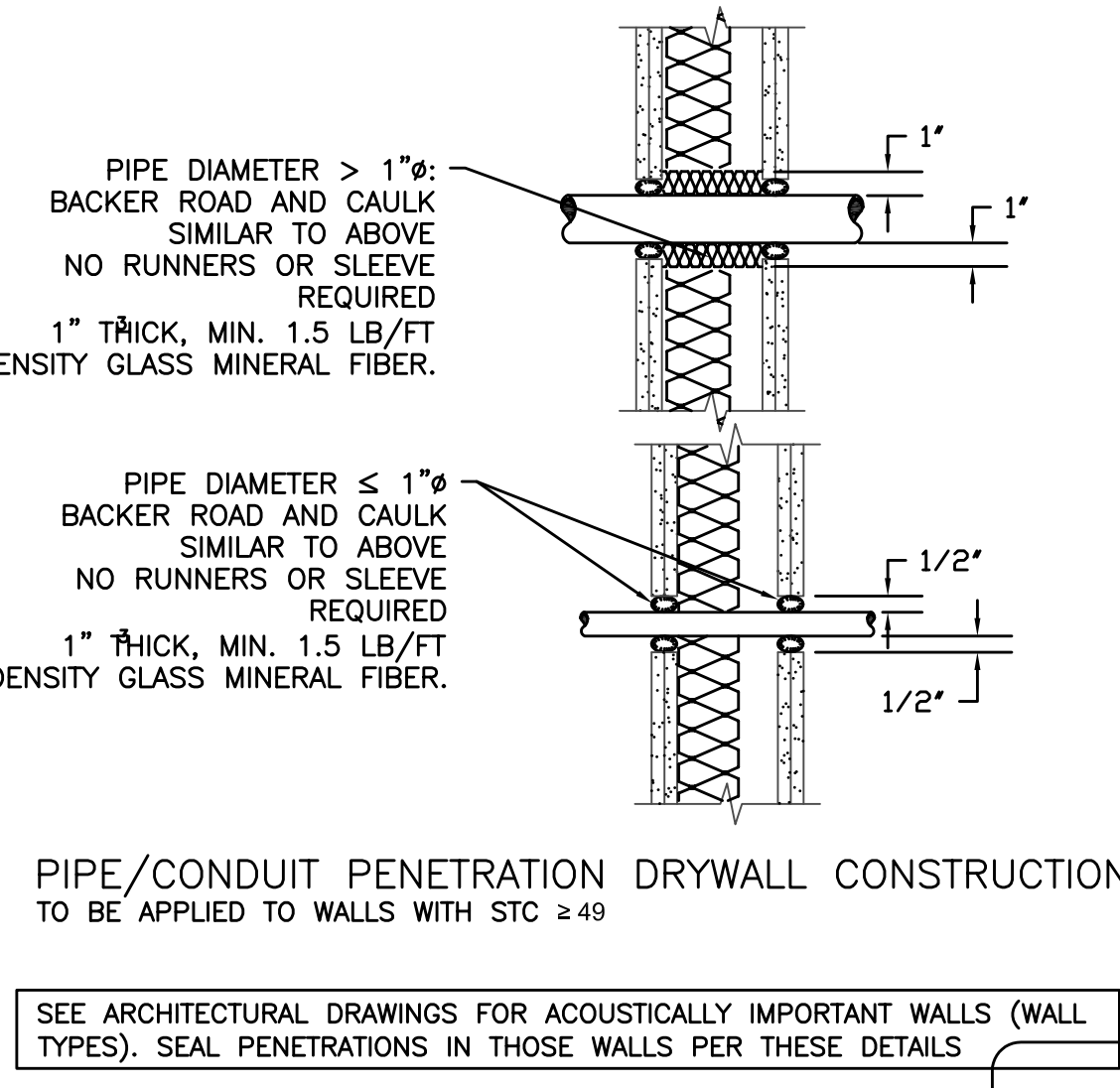
8 LAB GAS VALVE
 SCALE: DETAIL



9 ISLAND SINK
 SCALE: DETAIL



10 WATER HEATER 2A-2B (KITCHEN/LOCKER)
 SCALE: DETAIL



11 ACOUSTIC DETAIL
 SCALE: DETAIL

g:\dowa\architects\6470_parkrose middle school\mech\record drawings\complete - call area.pdf\6470-p600_p601.dwg 9/20/2015 1:02 PM