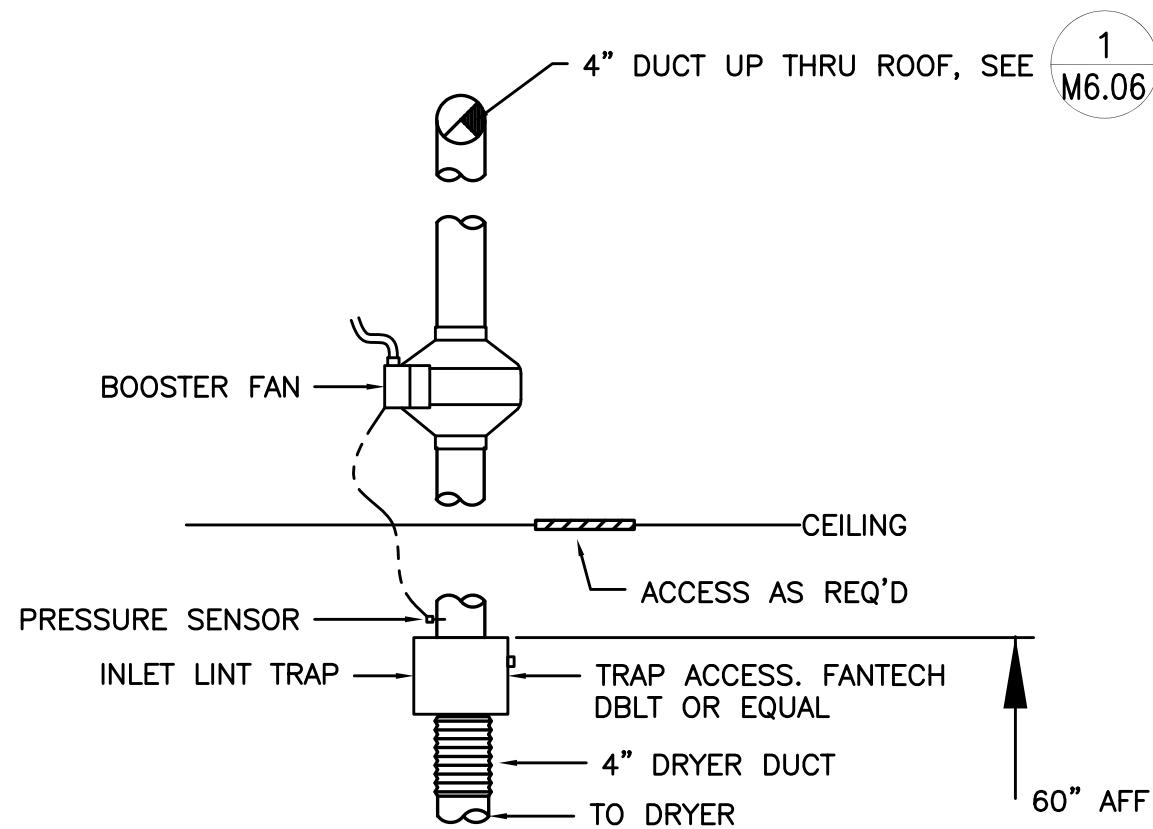
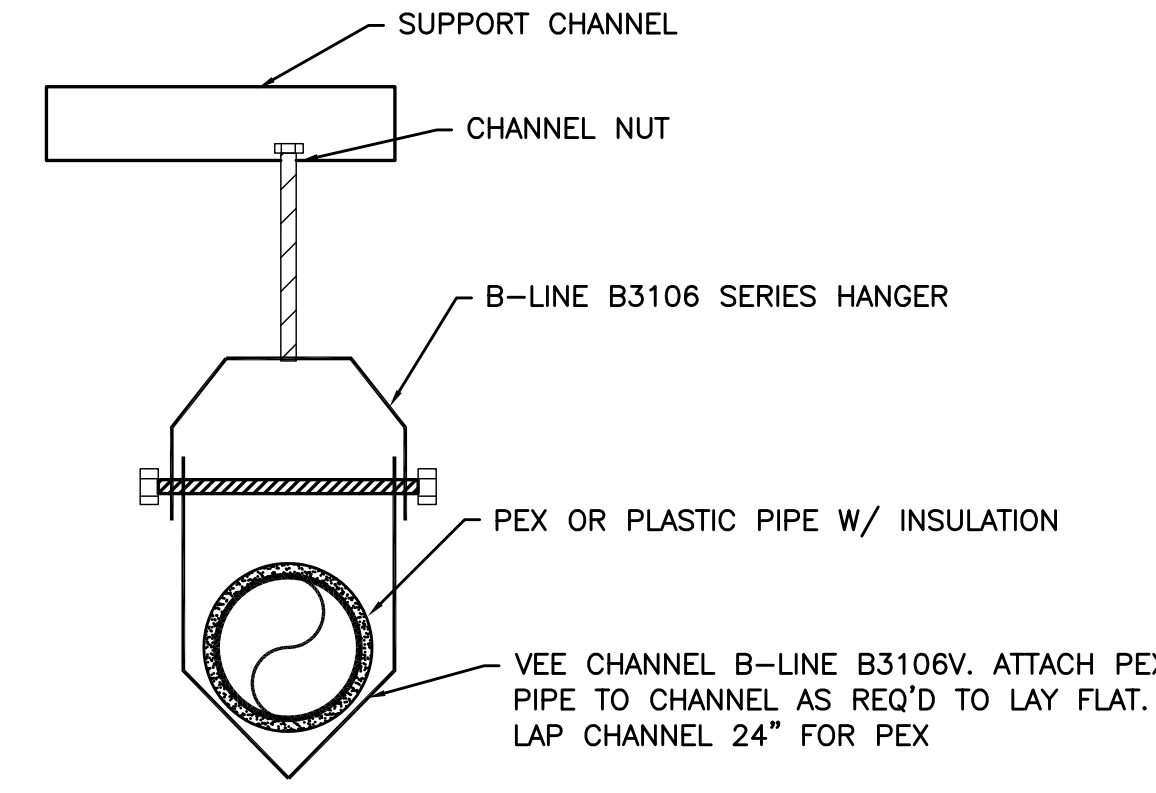


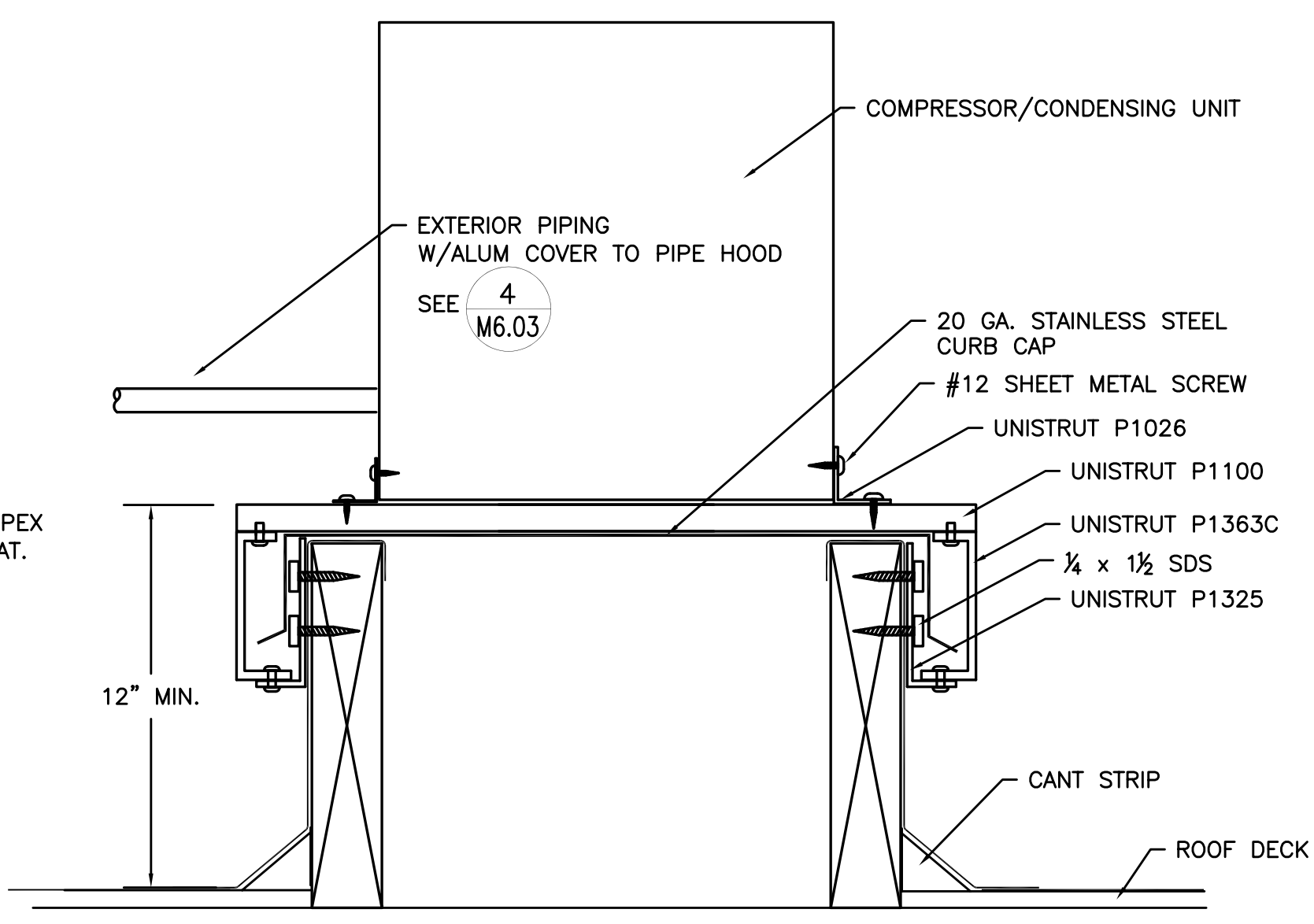
1 DRYER EXHAUST HOOD DETAIL  
SCALE: DETAIL



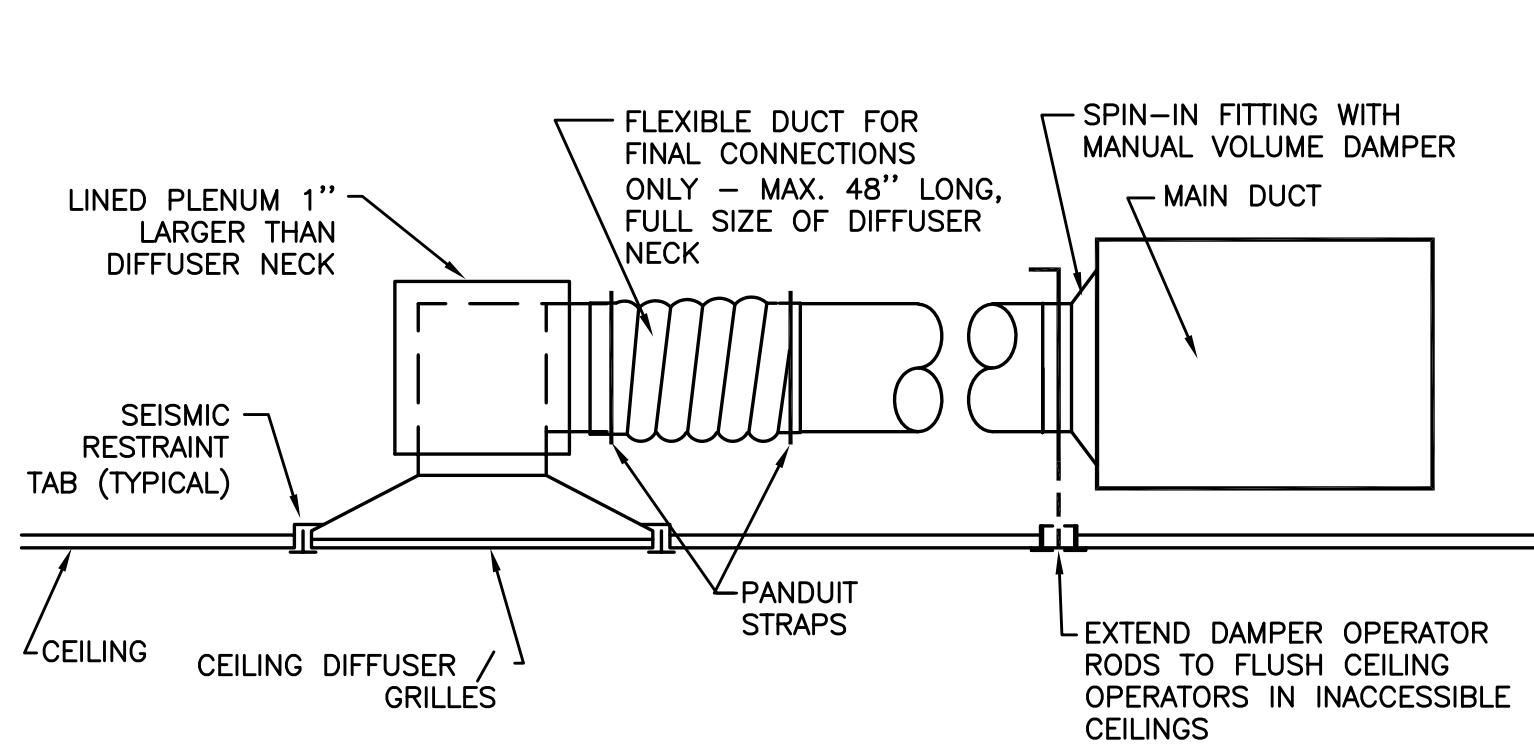
2 BOOSTER FAN (DRYER)  
SCALE: DETAIL



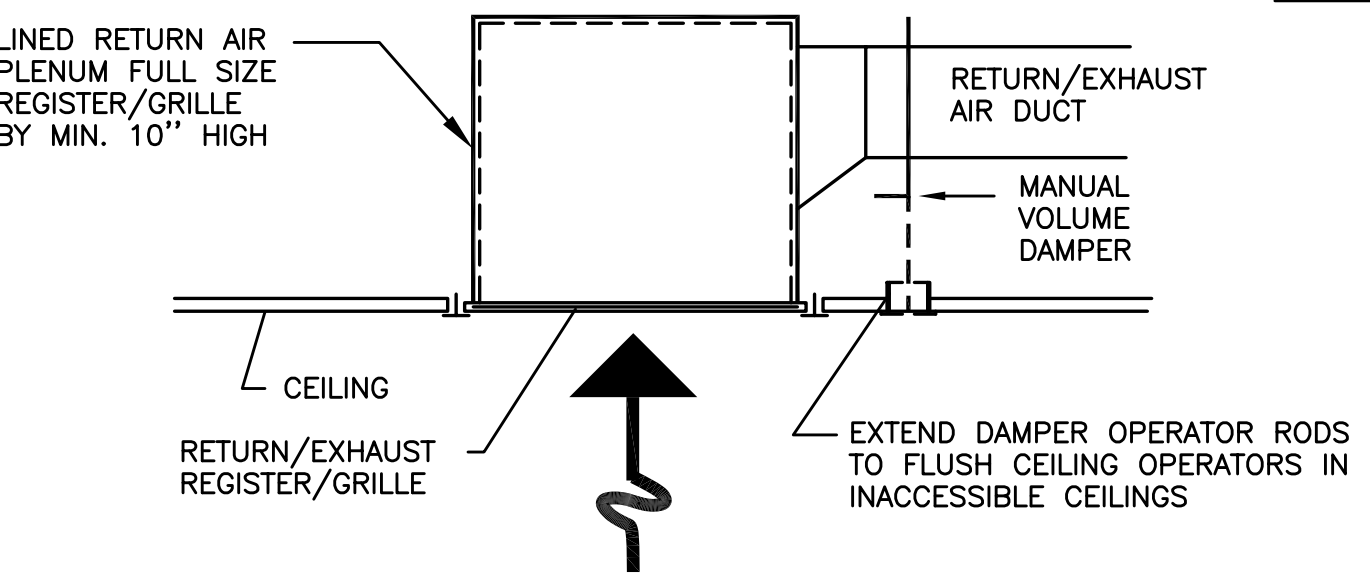
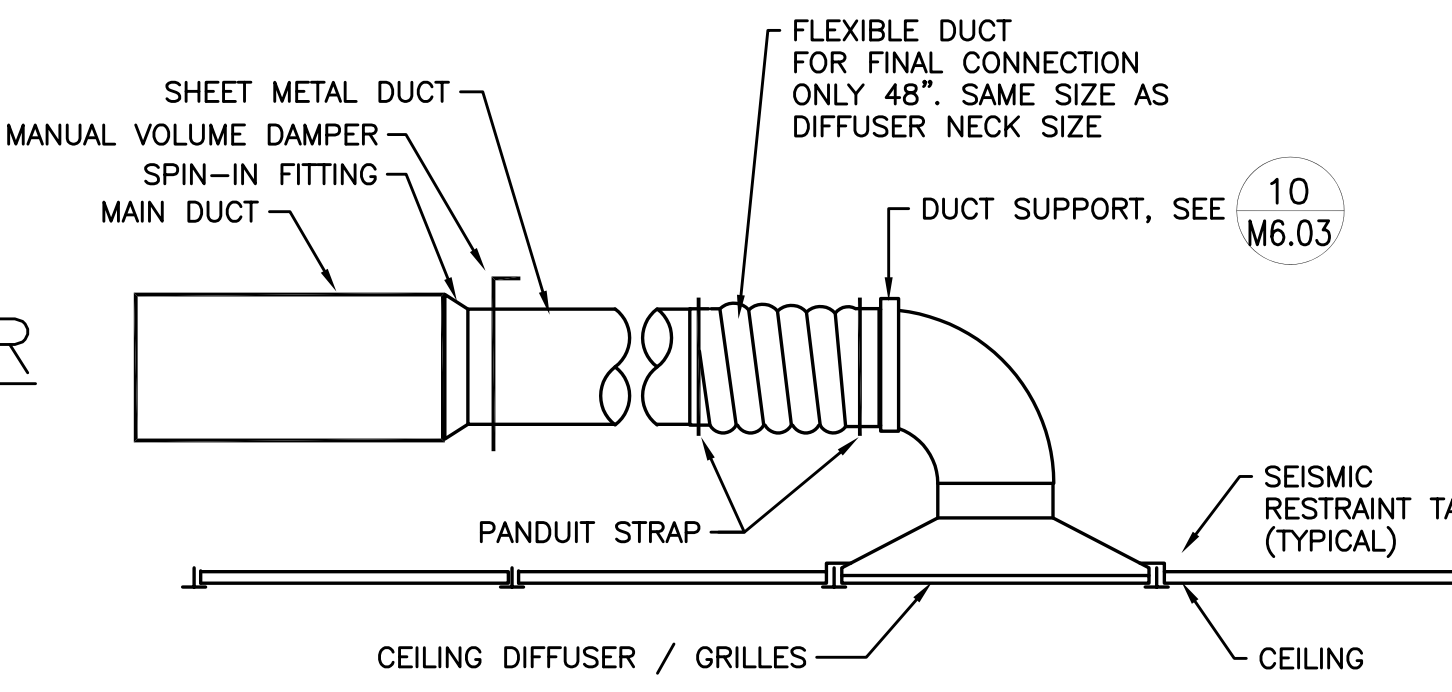
3 PEX SUPPORT DETAIL  
SCALE: DETAIL



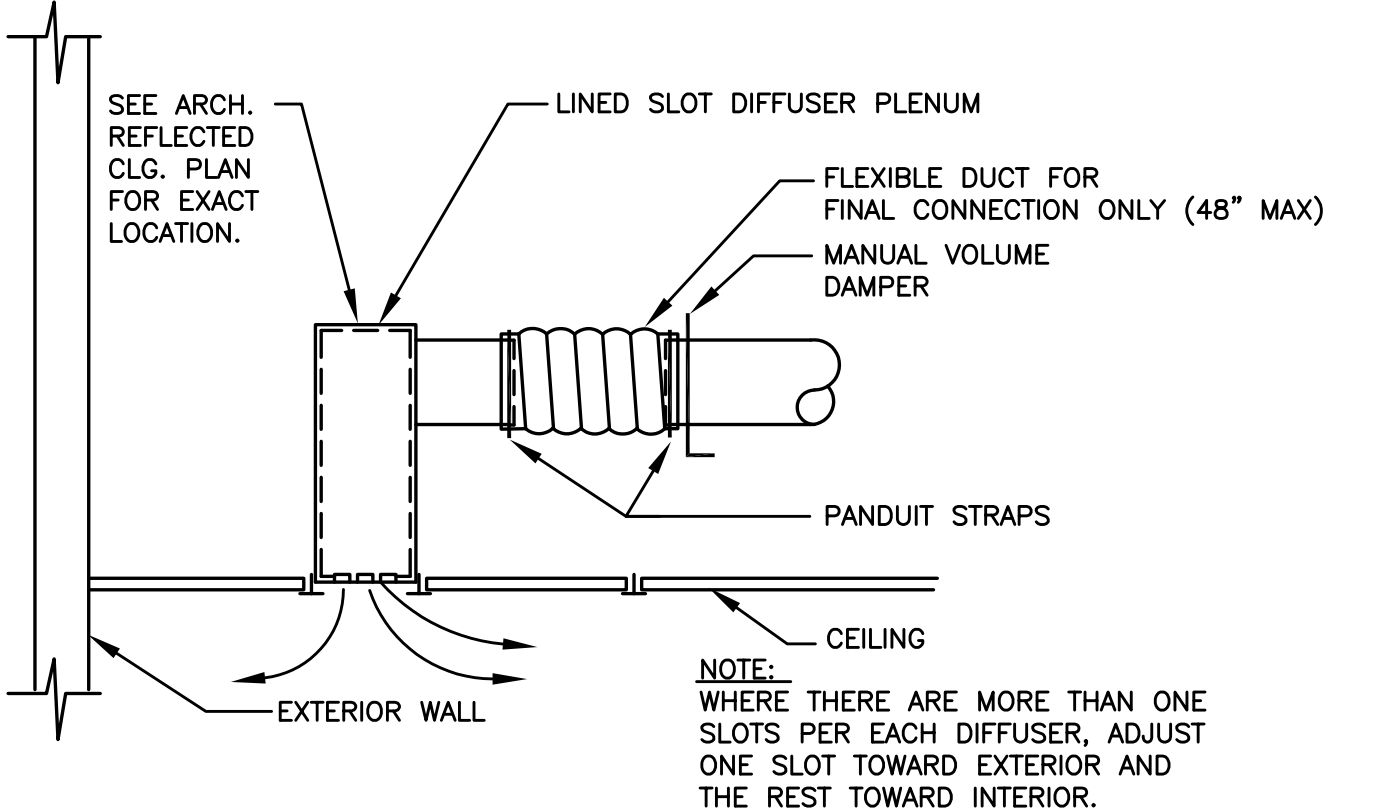
4 COMPRESSOR CURB  
SCALE: DETAIL



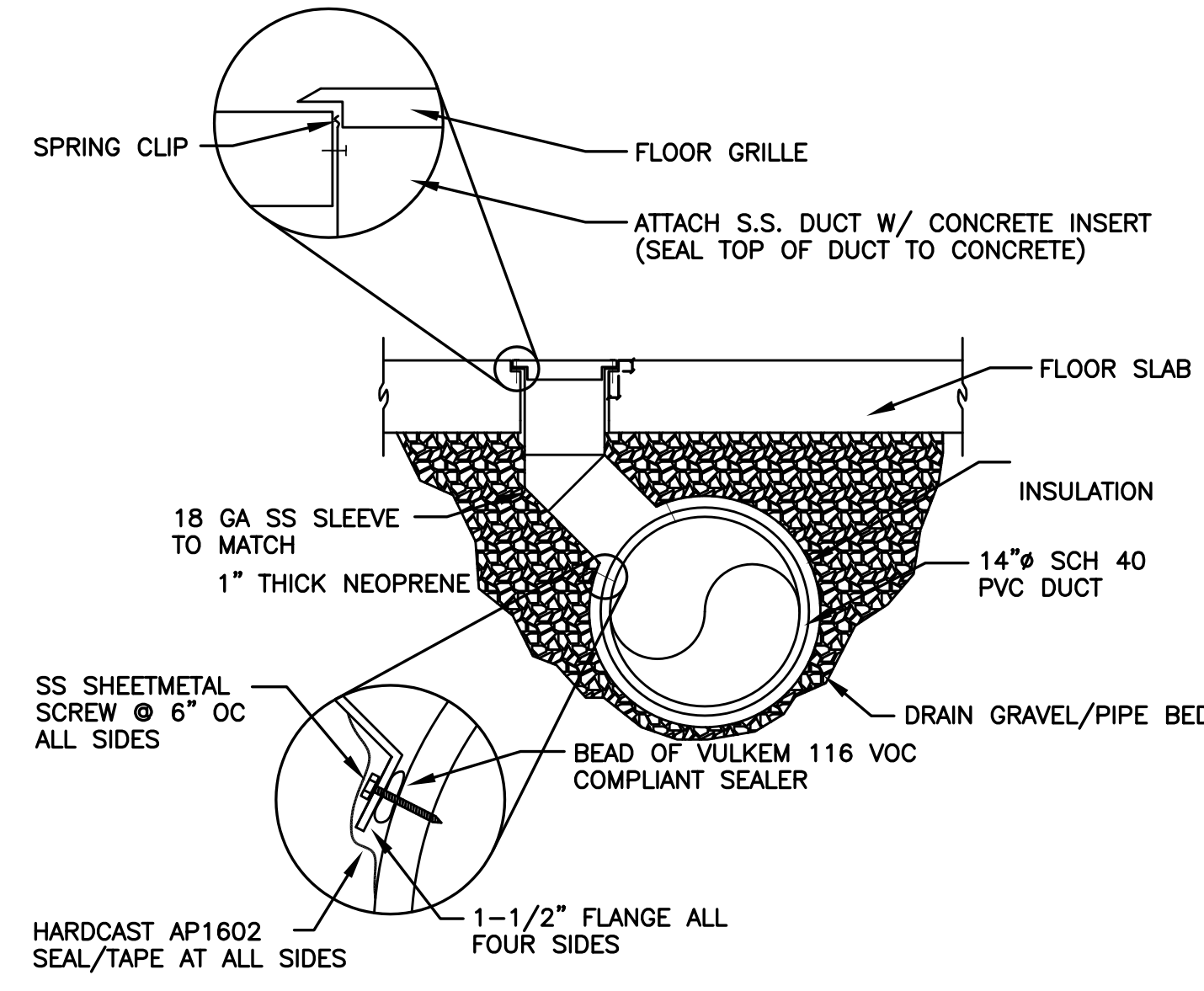
5 SUPPLY AIR DIFFUSER/GRILLE  
SCALE: DETAIL



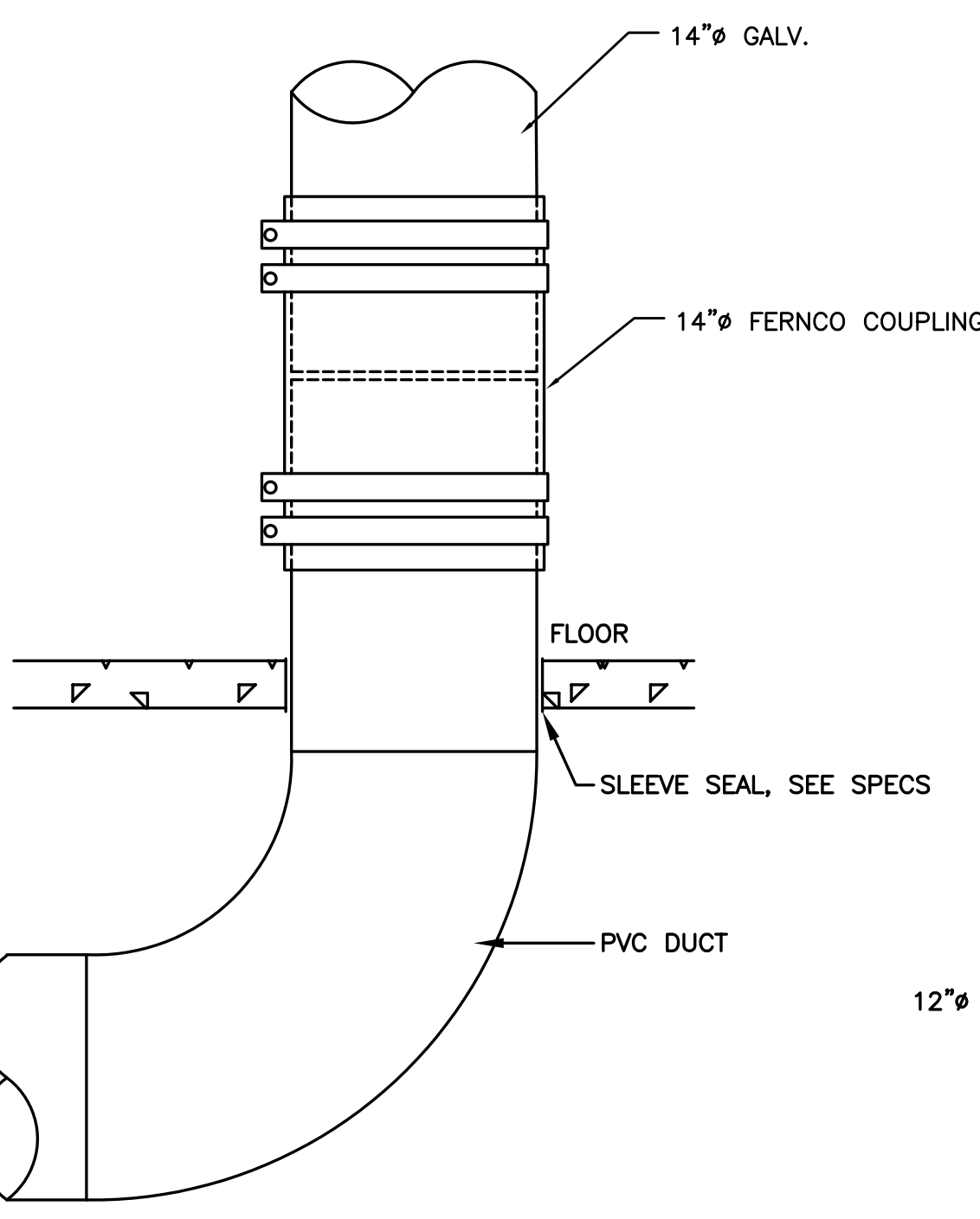
6 RETURN AIR DIFFUSER/GRILLE  
SCALE: DETAIL



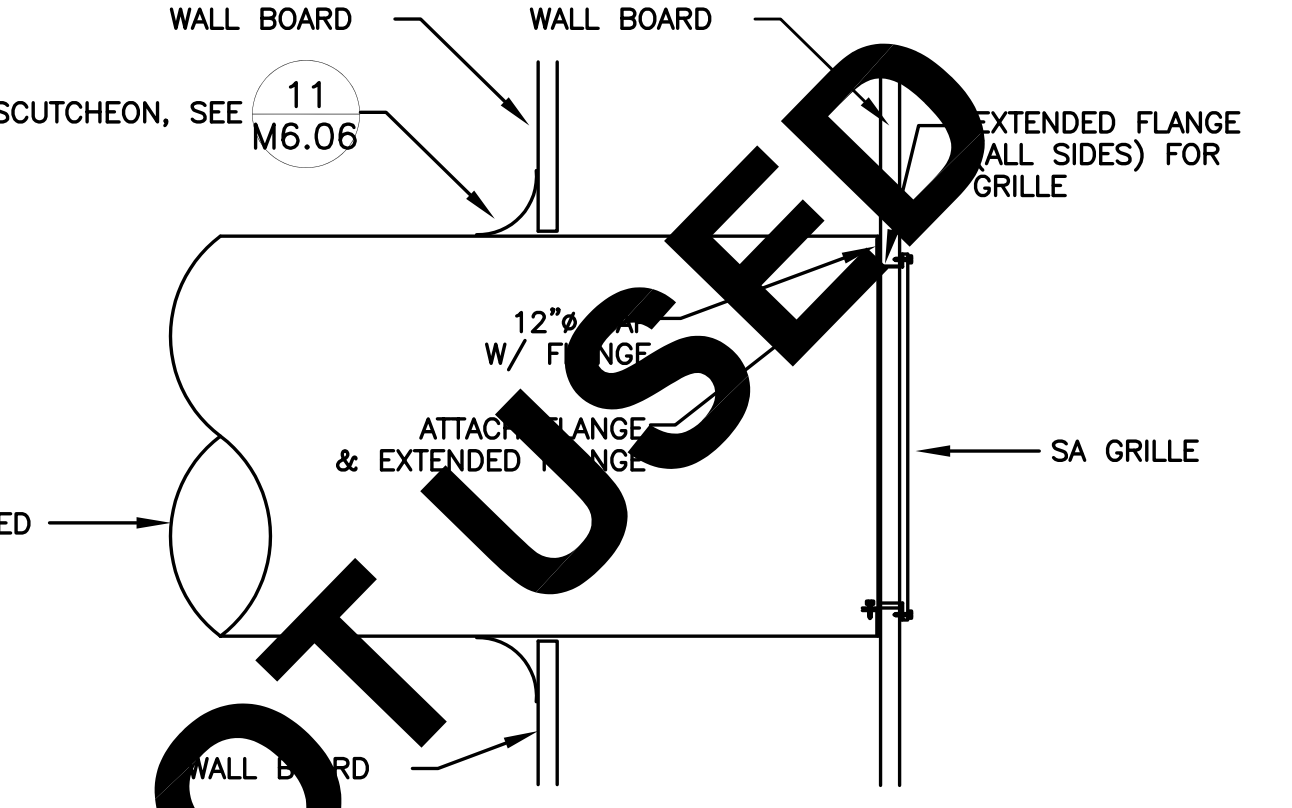
7 SLOT DIFFUSER  
SCALE: DETAIL



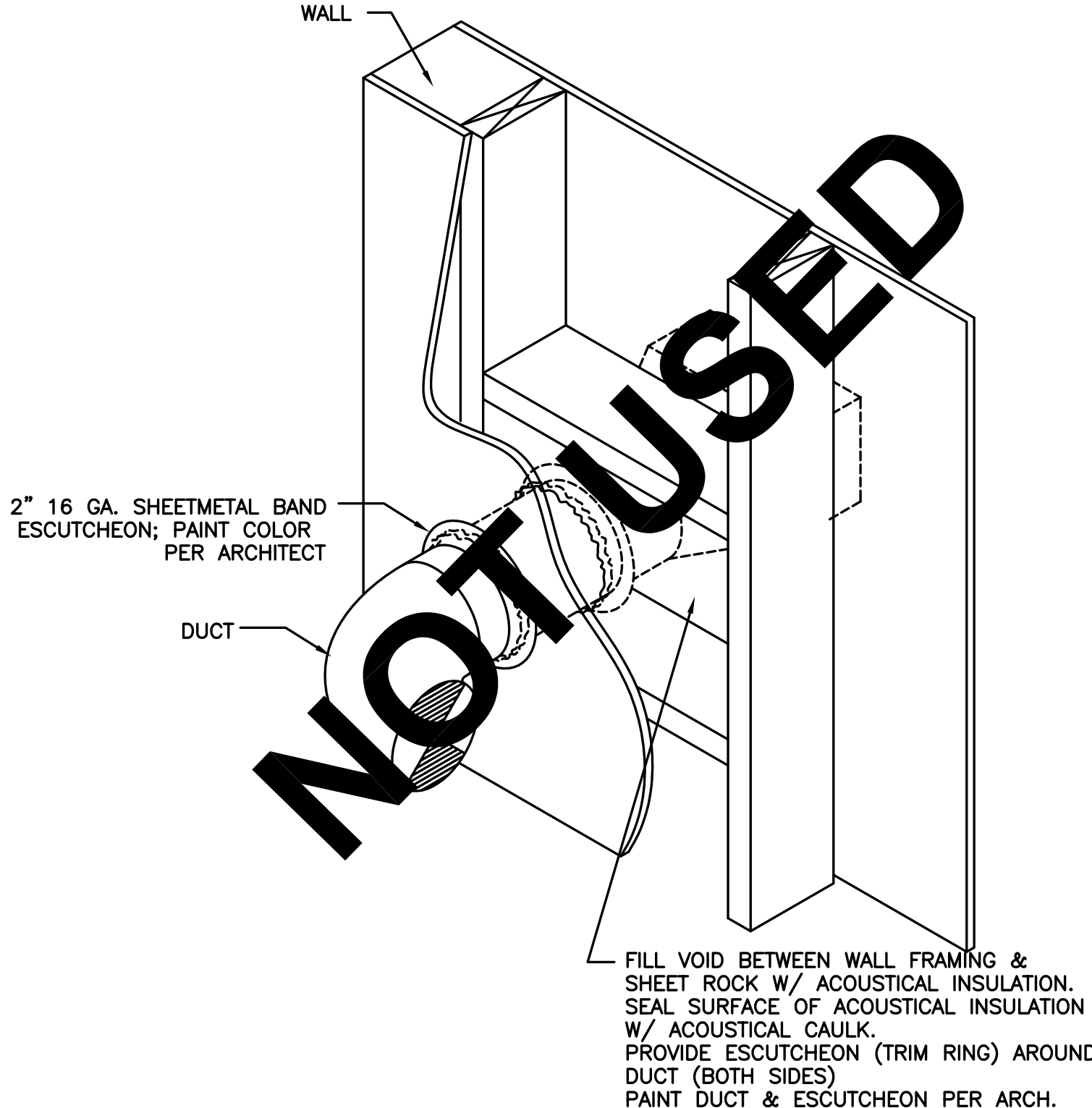
8 FLOOR SUPPLY REGISTER  
SCALE: DETAIL



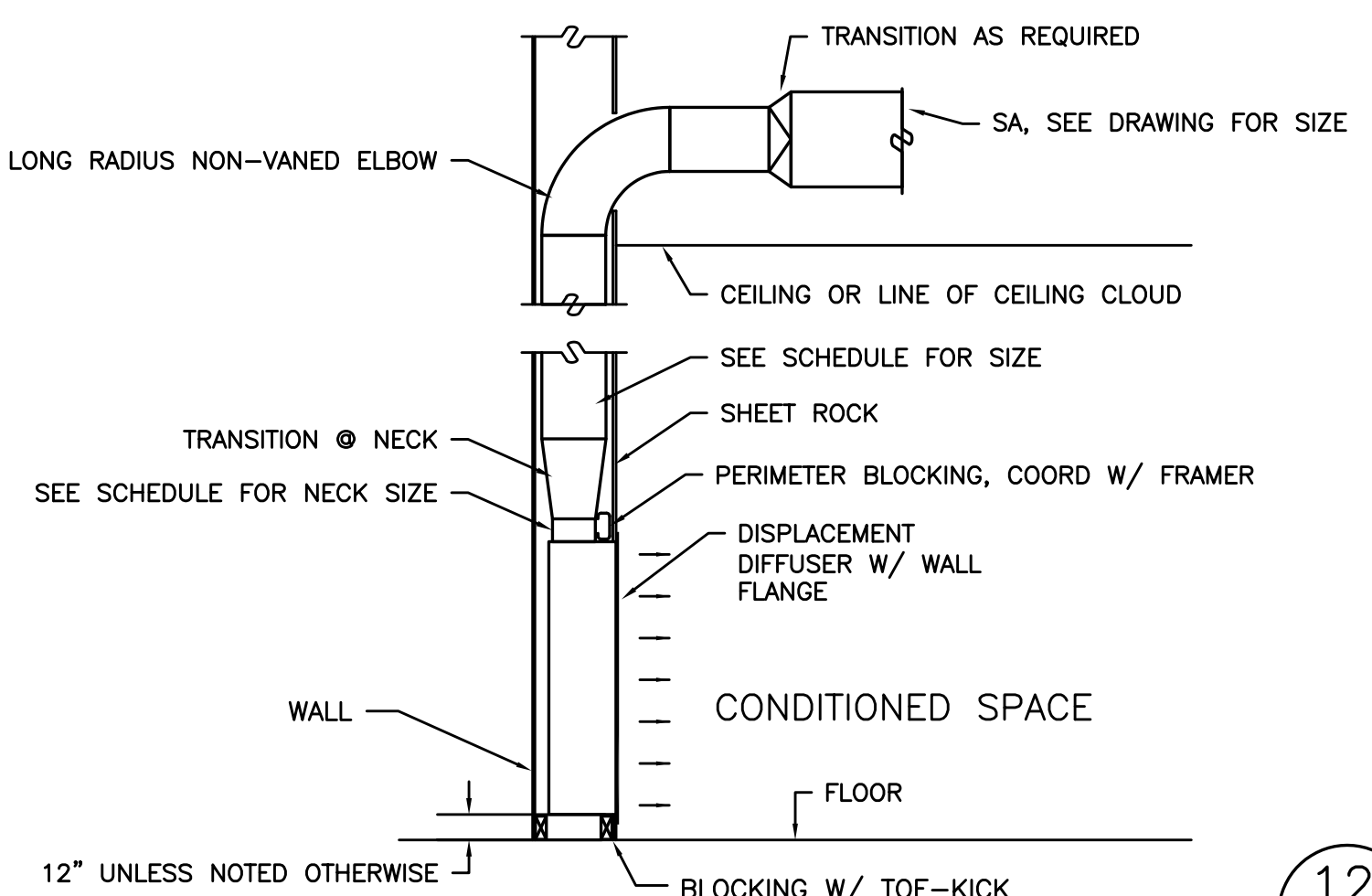
9 GA. DUCT TO PVC DUCT CONNECTION DETAIL  
SCALE: DETAIL



10 SIDEWALL DUCT/GRILLE DETAIL  
SCALE: DETAIL



11 DUCT PENETRATION W/ ESCUTCHEON  
SCALE: DETAIL



12 DISPLACEMENT DIFFUSER  
SCALE: DETAIL

DISPLACEMENT DIFFUSERS													
MARK NUMBER	DD-1	DD-2	DD-3	DD-4	DD-5	DD-6	DD-7	DD-8	DD-9	DD-10	DD-11	DD-12	DD-13
TYPE	WALL MOUNT												
PATTERN	1-WAY	1-WAY	1-WAY	1-WAY	1-WAY	1-WAY	1-WAY	1-WAY	1-WAY	1-WAY	1-WAY	1-WAY	1-WAY
INLET/NECK SIZE (IN)	12X2.5	12X2.5	12X2.5	12X2.5	18X2.5	18X2.5	18X2.5	18X2.5	18X2.5	18X2.5	18X2.5	18X7	18X7
LxHxD (IN) *	15X24X4	15X30X4	15X36X4	15X48X4	24X24X4	24X30X4	24X36X4	24X48X4	30X24X4	36X24X4	36X48X11	36X60X11	24X60X11
INLET LOCATION	TOP												
LONG SWEEP ELBOW SIZE	12x4.5						18x5						18x7
BASIS OF DESIGN	PRICE DF1W SERIES												
													PRICE DF1 SERIES

LOCATE ALL @ 12" AFF UNLESS NOTED OTHERWISE  
\* - DEPTH IS MAXIMUM ALLOWED

RECORD DRAWING:  
THIS DRAWING HAS BEEN UPDATED TO REFLECT CHANGES MADE DURING CONSTRUCTION BASED UPON INFORMATION FURNISHED TO THE ENGINEER BY THE INSTALLATION CONTRACTOR. NO WARRANTY, EITHER EXPLICIT OR IMPLIED IS GIVEN BY MFA, INC. AS TO THE ACCURACY AND/OR COMPLETENESS OF THIS INFORMATION.

**IBI GROUP**  
Dull Olson Weekes - IBI Group  
907 SW Shaver Street, Portland, OR 97215 USA  
tel: 503 226 6950 fax: 503 273 9192  
www.dow-ibigroup.com www.ibigroup.com

**NEW PARKROSE MIDDLE SCHOOL - PACKAGE 2**  
Parkrose School District  
Project Address: 11800 NE Shaver Street, Portland, OR 97220  
t: (503) 408-2900 f: (503) 408-2998

**MFA INC.** Consulting Engineers  
2007 S.E. Ash St.  
Portland, OR 97214  
PH: (503) 234-0548  
FAX: (503) 234-0677  
WWW.MFA-ENG.COM  
CONTACT: ANTONIO JOHNSON

**RECORD DRAWINGS**  
key plan  
A  
B  
C  
D  
E

phase | RECORD DRAWING  
date | 11/09/2015  
revisions |  
project # | 11082

MECHANICAL DETAILS  
**M6.06**

G:\dow\_archives\6470\_parkrose\_middle\_school\mefrecord\record drawings\complete - call area.pdf\6470-m606.mxd, Aug 30/2016 12:34 PM