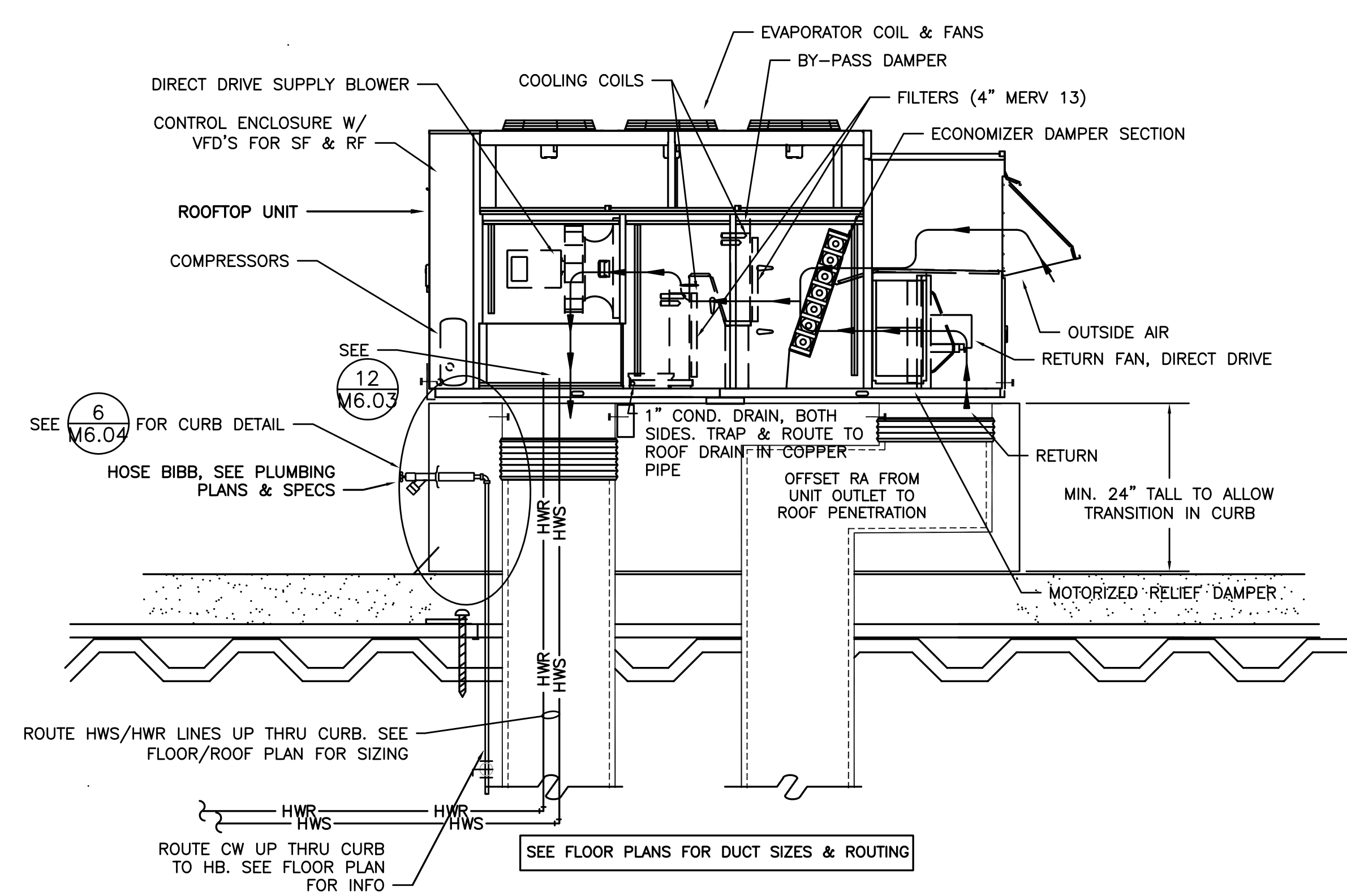


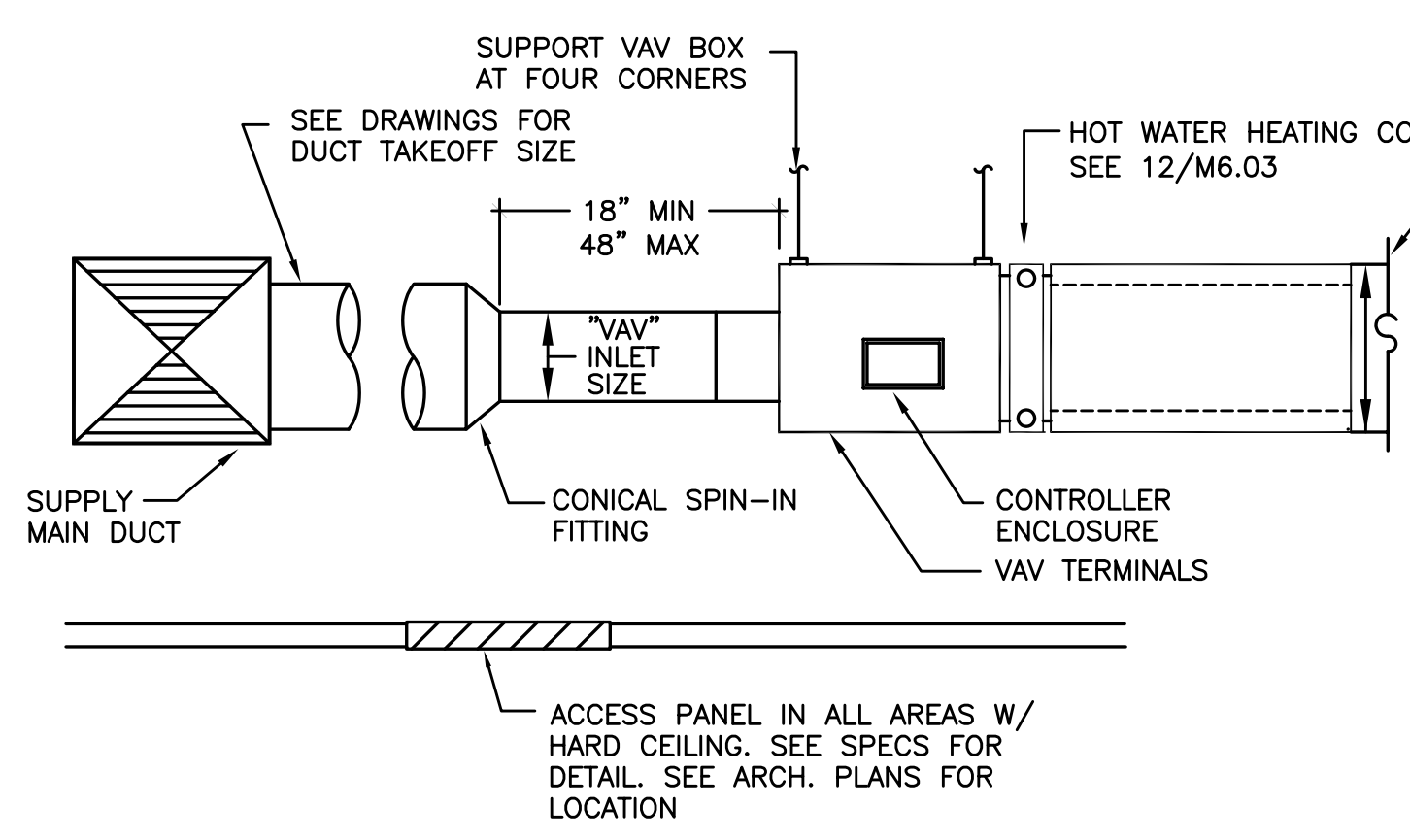
phase	RECORD DRAWING
date	11/09/2015
revisions	
project #	11082

MECHANICAL DETAILS

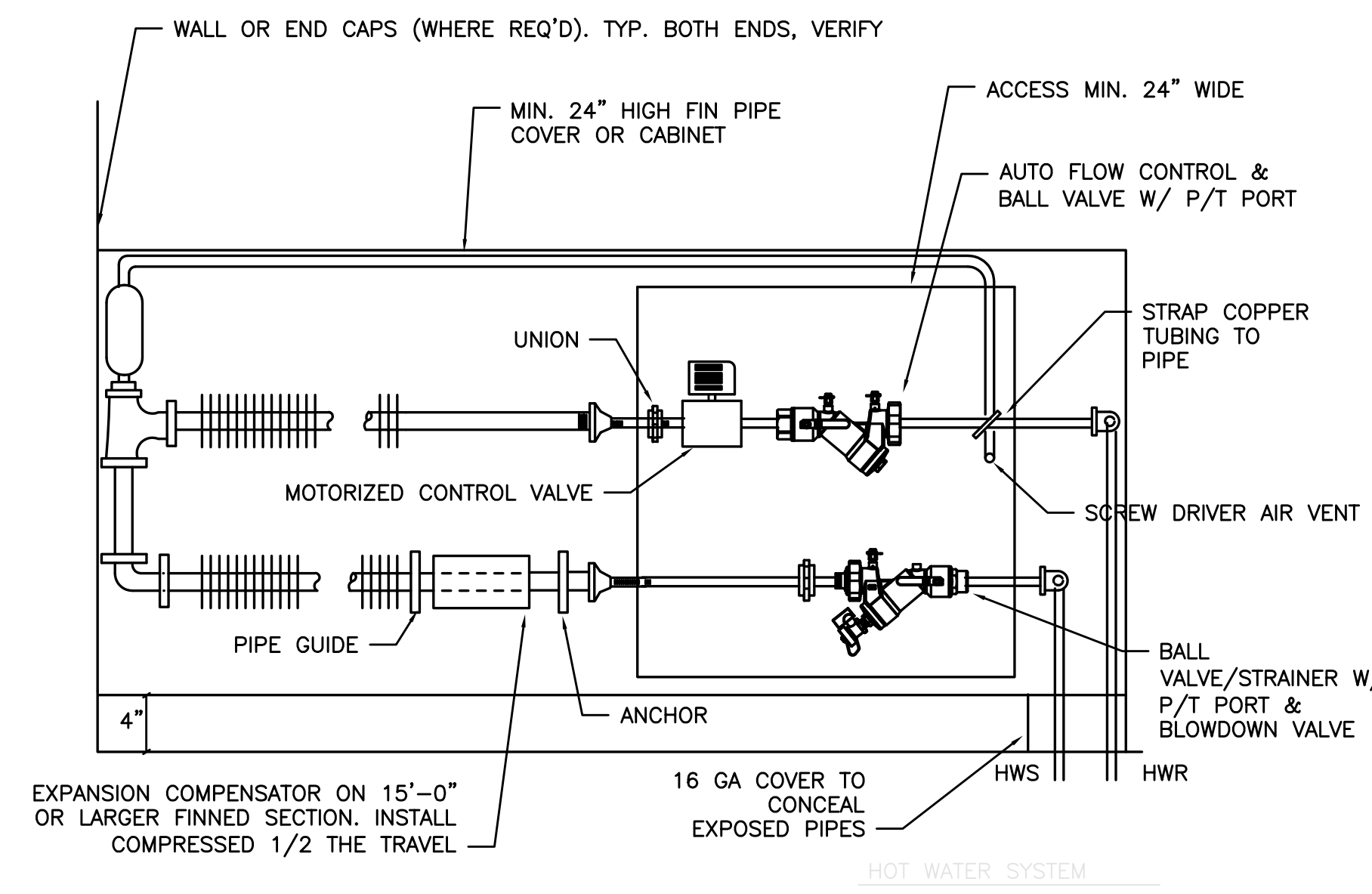
M6.05



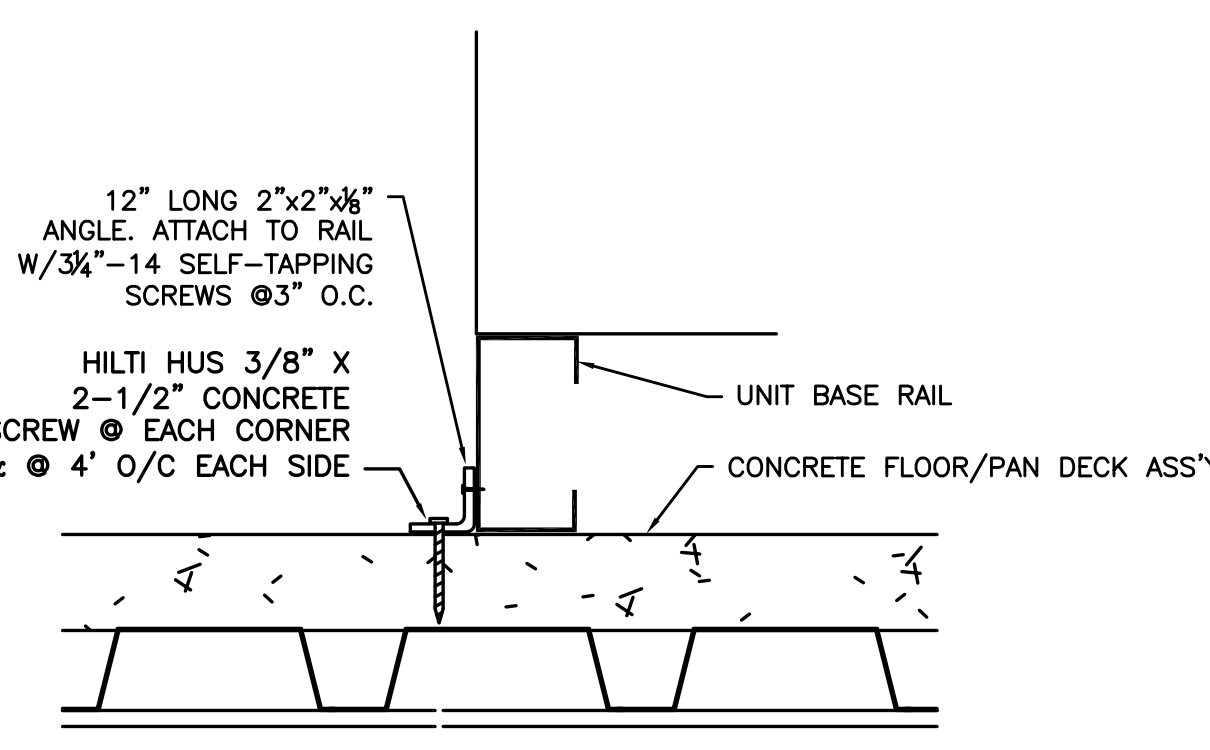
1 ROOFTOP UNIT #1 & #2 W/ ISOLATION CURB
 M6.05 SCALE: DETAIL



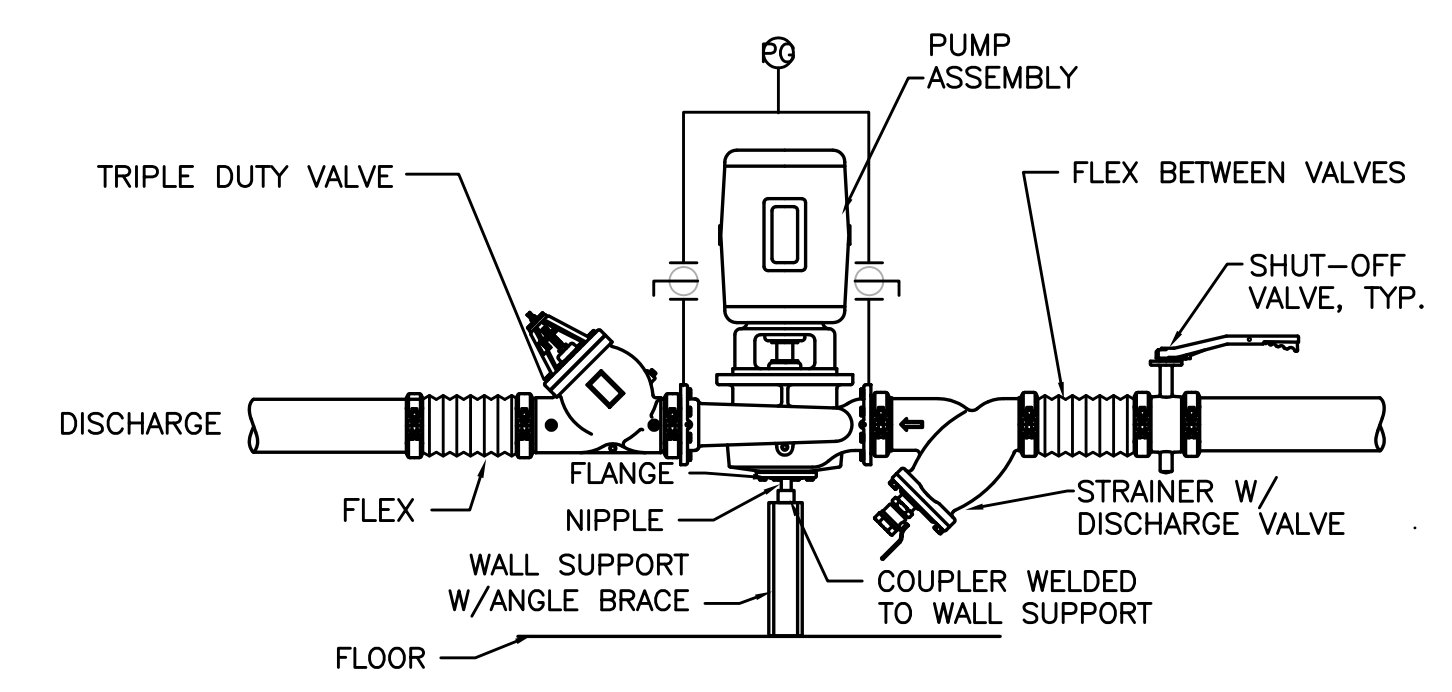
2 VAV TERMINAL UNIT
 M6.05 SCALE: DETAIL



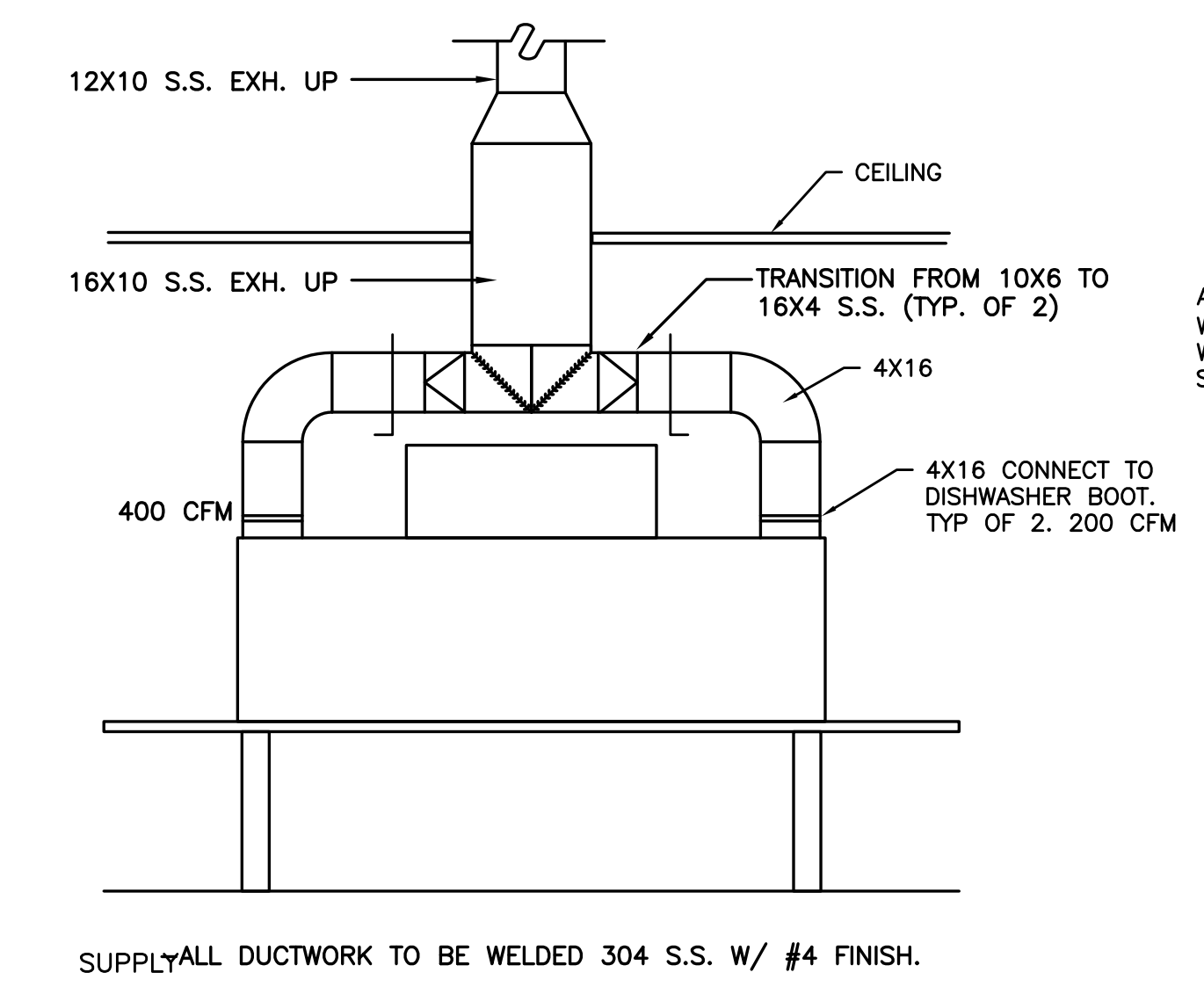
3 CONVECTOR
 M6.05 NO SCALE



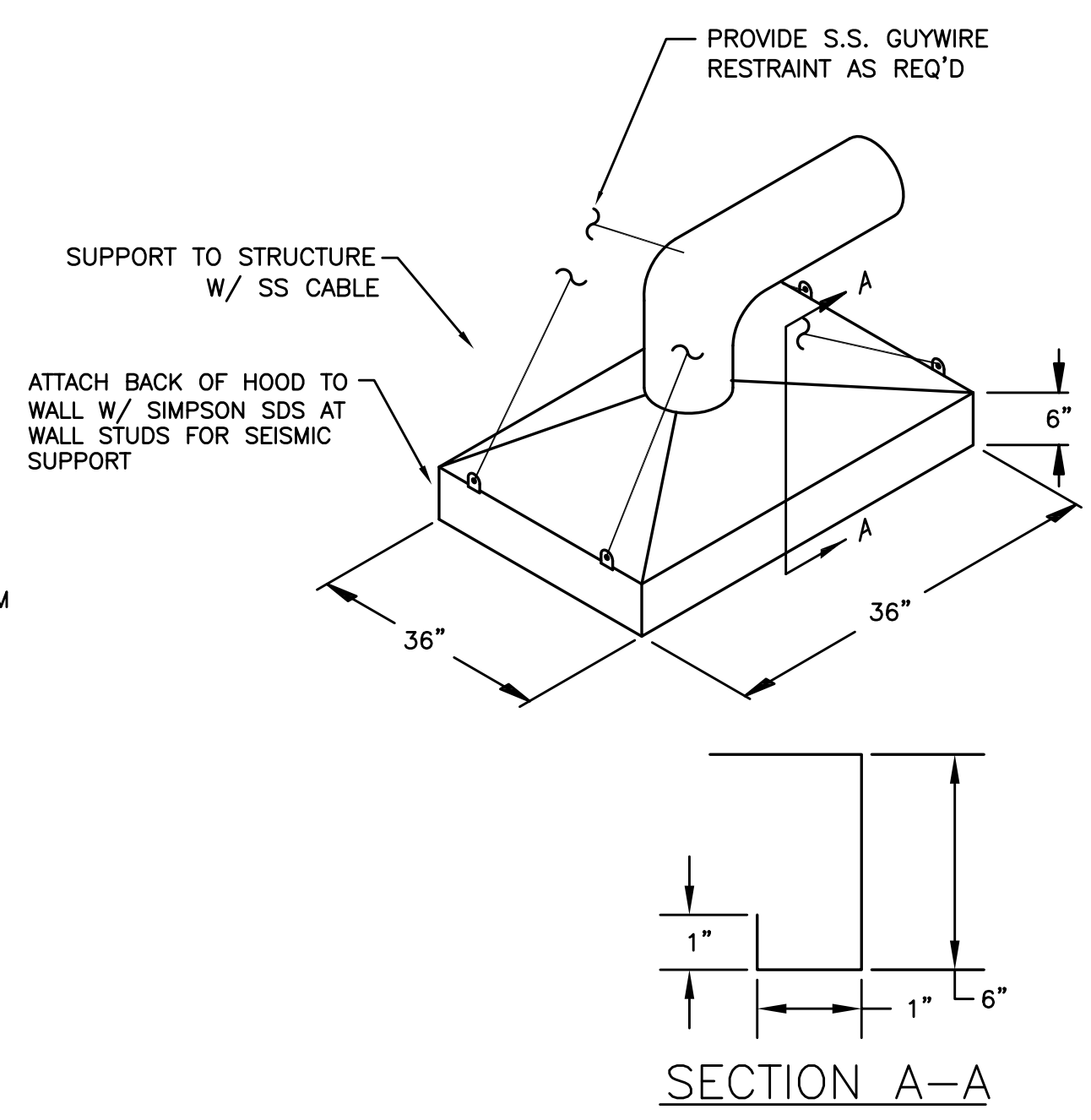
4 AHU CONNECTION DETAIL
 M6.05 SCALE: DETAIL



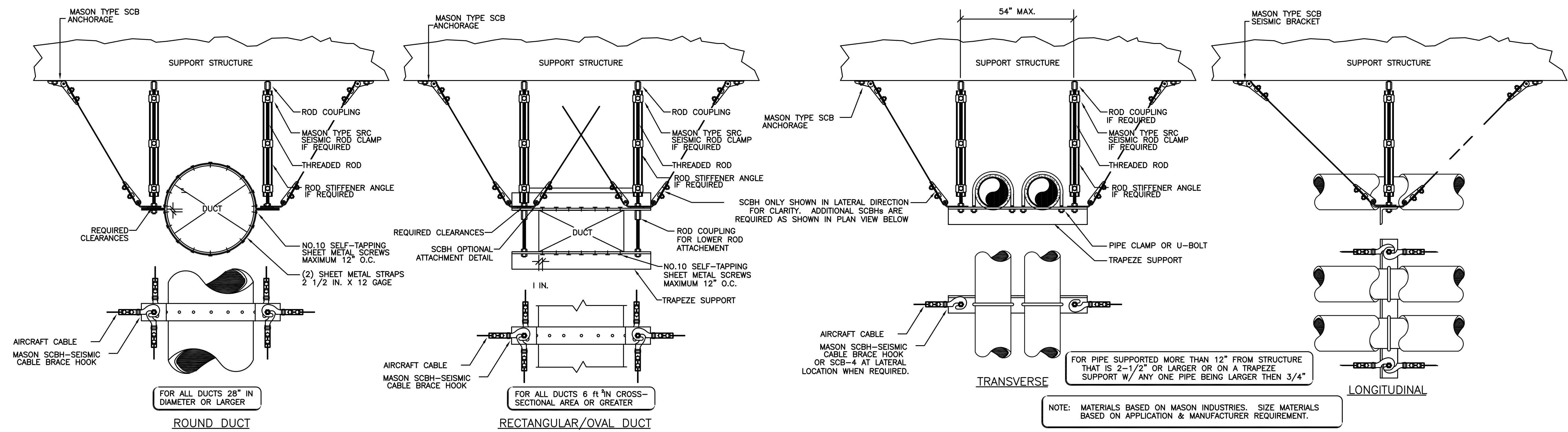
5 IN-LINE PUMP
 M6.05 SCALE: DETAIL



6 DISHWASHER DUCT
 M6.05 SCALE: DETAIL

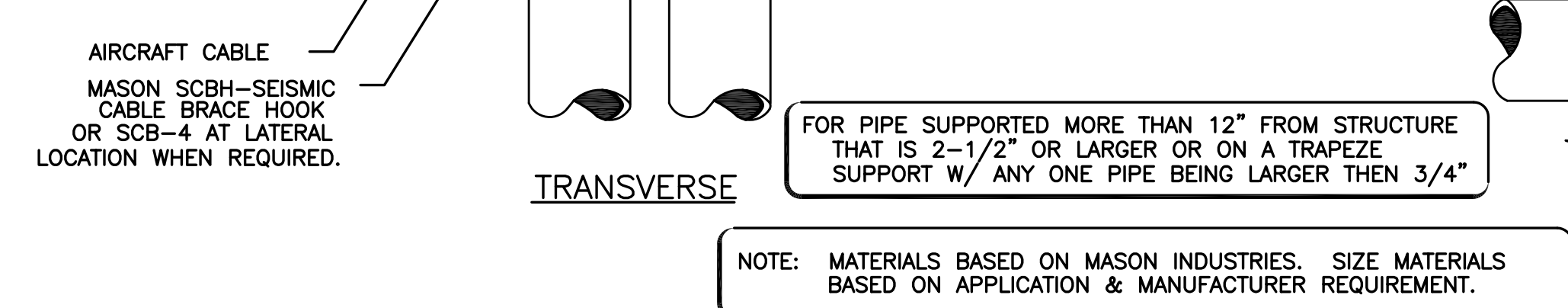


7 KILN HOOD
 M6.05 SCALE: DETAIL



NOTE: MATERIALS BASED ON MASON INDUSTRIES. SIZE MATERIALS BASED ON APPLICATION & MANUFACTURER REQUIREMENT.

8 SEISMIC DUCT SUPPORT
 M6.05 SCALE: DETAIL



9 SEISMIC PIPE SUPPORT
 M6.05 SCALE: DETAIL

RECORD DRAWING:
 THIS DRAWING HAS BEEN UPDATED TO REFLECT CHANGES MADE DURING CONSTRUCTION BASED UPON INFORMATION FURNISHED TO THE ENGINEER BY THE INSTALLATION CONTRACTOR. NO WARRANTY, EITHER EXPLICIT OR IMPLIED IS GIVEN BY MFA, INC. AS TO THE ACCURACY AND/OR COMPLETENESS OF THIS INFORMATION.

c:\dow\architects\6470_parkrose_middle_school\mech\record\drawings\complete_cad\unit\pdf\6470-m605.mxd Aug 30/2016 12:34 PM