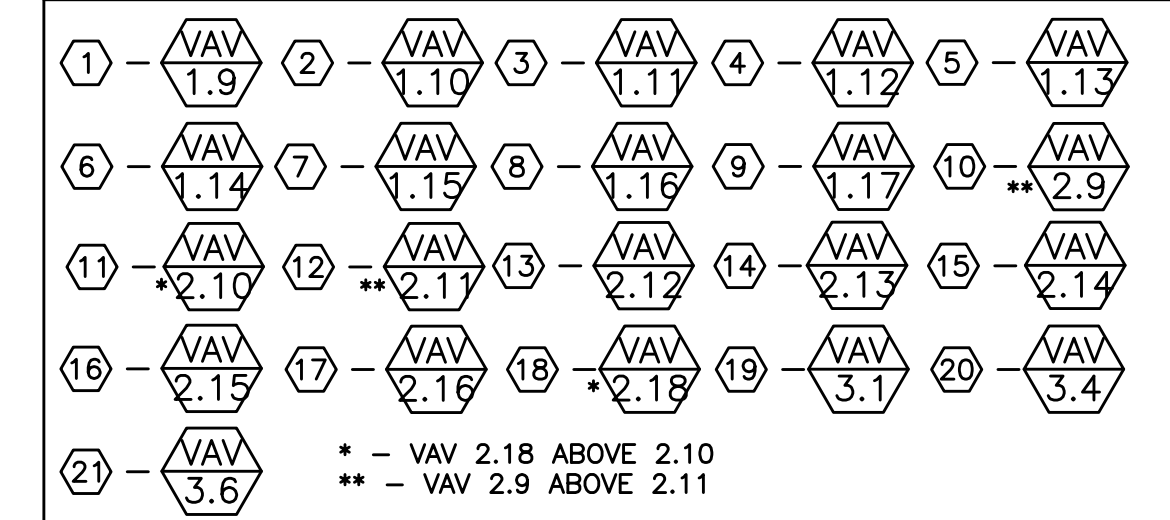


M2.21 & M2.22 SHEET NOTES:

- | | | | | | | | | | | | | | | | | | | | | | | | | | | | | | | | | | | | |
|-------------------------|------------------------|---|-----------------|--|----------------------------------|----------------------------------|--|--|--------------------------------|----------------------|--|---|--|---|----------------------|---|--|----------------------|----------------------|----------------|---|---|--|--|--|--|----------------|----------------|---|--|---|--|-----------------|-----------------|---|
| (A) - 12" EXH @ 300 CFM | (B) - 6" EXH @ 100 CFM | (C) - 36X6 GRILLE ABOVE DOOR EACH SIDE W/ 5/8" SLEEVE | (D) - DDC PANEL | (E) - MOTORIZED DAMPER. SEE 7/M5.00 FOR CONTROLS DETAILS | (F) - 50X20 LINED SA UP TO RTU-1 | (G) - 50X24 LINED SA UP TO RTU-1 | (H) - 50X24 LINED SA, 36X26 LINED RA & 10X8 EXH DN THRU CHASE TO SERVE 1ST FLOOR. 10" BOILER FLUE ASI-06 (TYP. 3) FROM BELOW. ROUTE FLUE'S UP THRU ROOF (SEE 2/M6.03 FOR DETAIL) | (I) - 42X40 LINED RA W/ PLENUM, FROM RTU-2. LOCATED SMOKE DETECTOR IN VERTICAL | (J) - SLOPE TO MATCH STRUCTURE | (K) - 42X40 LINED RA | (L) - ROUTE VAV SA OUTLETS UP INTO LANTERN SPACE & ROUTE TO INDIVIDUAL ZONES | (M) - TRANSITION SA BRANCH OUT OF LANTERN CHASE & DN INTO CLASSROOM | (N) - RA BRANCHES DN IN ARCH. CHASE & INTO CLASSROOM CEILING SPACE | (O) - 16X EXH BOG @ 110" AFF. GRILLE FED W/ 300 CFM - 16X8 EXH DN IN STUD SPACE | (P) - BOD @ 128" AFF | (Q) - 14X12 LINED SA ABOVE AND 16X16 LINED SA BELOW | (R) - 14X12 SA TRANSITION TO 10X8 & ROUTE TO HALL DISPLACEMENT DIFFUSER AS SHOWN | (S) - 36X22 LINED SA | (T) - 26X20 LINED SA | (U) - 16X16 SA | (V) - PROVIDE ECONOMIZER OPERATION LIGHT ABOVE DOOR. SEE SEQUENCE FOR OPERATION. SEE SPECS FOR MATERIALS. PROVIDE LABEL TO READ "ECONOMIZER OPERATION IS ON, OPENING WINDOW IS ALLOWED" | (W) - ROUTE RA MAIN UP, TIGHT TO WALL. TOP OF RA DUCT TO RESIDE AT BOTTOM OF STRUCTURE. | (X) - LINED 40X30 SA, LINED 36X30 RA & 10X6 EXH DN THRU CHASE TO SERVE LEVEL 1 | (Y) - RA DUCT TO RUN FLAT IN THIS SECTION. TOP OF DUCT @ BOTTOM OF STRUCTURE | (Z) - RA DUCT TO SLOPE W/ STRUCTURE FROM THIS POINT WEST/EAST (SECTOR A), NORTH/SOUTH (SECTOR B) | (AA) - 36X28 RA UP (TOP OF DUCT @ BOTTOM OF STRUCTURE) | (BB) - 14X8 SA | (CC) - 16X8 SA | (DD) - 32X17 LINED SA. BOD @ APPROX. 128" | (EE) - 26X48 LINED SA & 18X48 LINED SA UP TO RTU-2. COMBINE TO 48X44 LINED SA PRIOR TO UNIT CONNECTION | (FF) - 66X22 LINED RA & 48X24 LINED SA UP TO UNIT | (GG) - 8X4 EXH DN IN WALL TO SIDEWALL EXH GRILLE - 8X6 EXH @ 8'-0" AFF | (HH) - 16X14 SA | (II) - NOT USED | (JJ) - TRANSFER DIFFUSERS W/ 8" FLEX DUCT |
|-------------------------|------------------------|---|-----------------|--|----------------------------------|----------------------------------|--|--|--------------------------------|----------------------|--|---|--|---|----------------------|---|--|----------------------|----------------------|----------------|---|---|--|--|--|--|----------------|----------------|---|--|---|--|-----------------|-----------------|---|

VAV KEY - LEVEL 2 SECTOR A & B

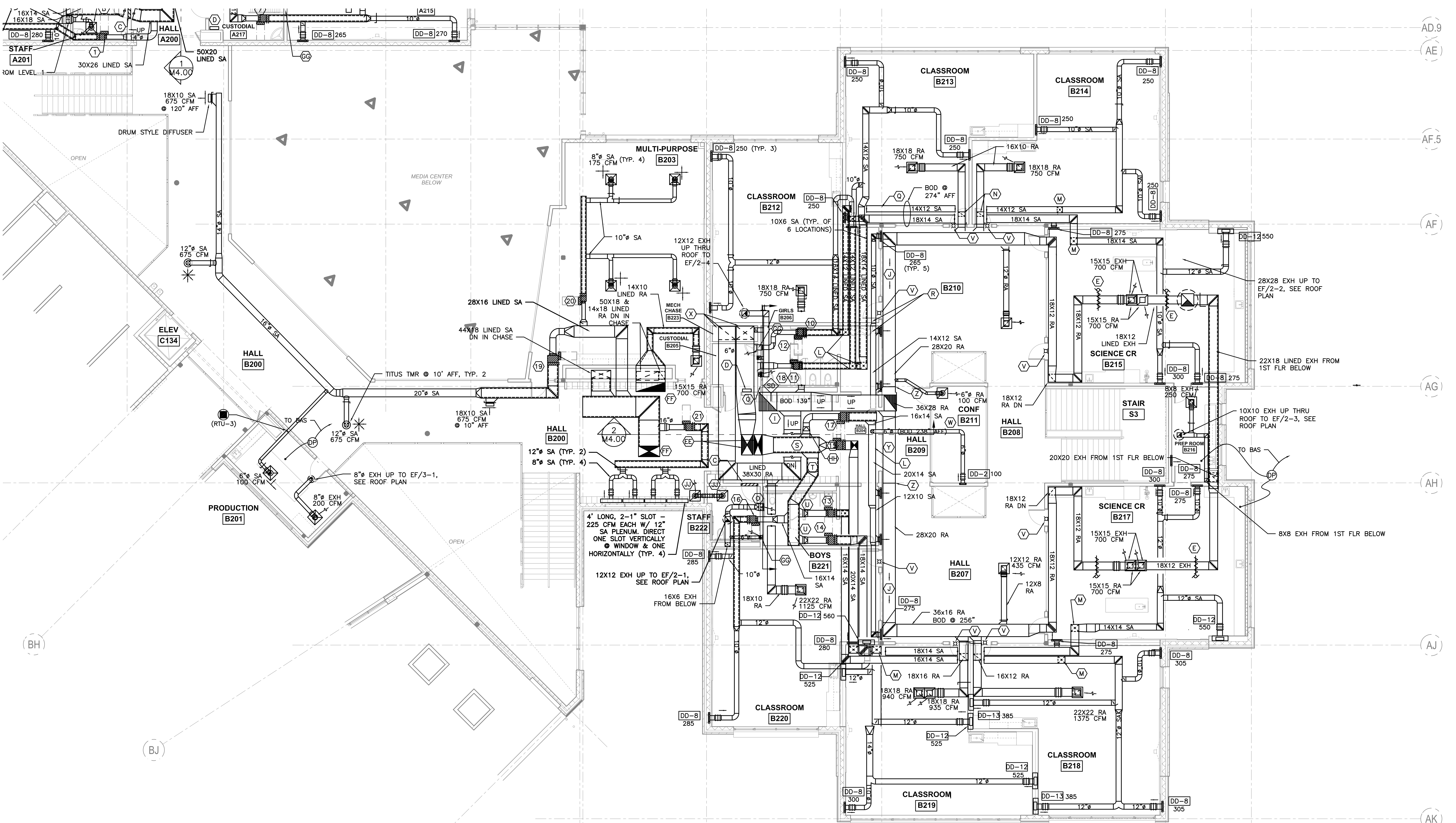


GENERAL NOTES

- SEE DETAIL 10/M6.03 FOR NON-SEISMIC DUCT SUPPORT
- SEE DETAIL 8/M6.05 FOR SEISMIC DUCT SUPPORT (SEE SPECS FOR DESIGN REQUIREMENT)
- PAINT ALL EXPOSED DUCTS. SEE ARCHITECT FOR COLOR
- SEE ARCHITECTURAL DRAWINGS FOR ACOUSTICALLY IMPORTANT WALLS (WALL TYPES). SEAL PENETRATIONS IN THOSE WALLS PER DETAIL 10/M6.04

DISPLACEMENT DIFFUSER KEY

- NOTE: SEE FLOOR PLAN FOR AIRFLOW. SEE 12/M6.06 FOR FURTHER DISPLACEMENT DETAIL. (W x H x D)
- DD-1 15X24X4
 - DD-2 15X30X4
 - DD-3 15X36X4
 - DD-4 15X48X4
 - DD-5 24X24X4
 - DD-6 24X30X4
 - DD-7 24X36X4
 - DD-8 24X48X4
 - DD-9 30X24X4
 - DD-10 36X24X4
 - DD-11 48X24X4
 - DD-12 36X60X11
 - DD-13 24X60X11



1 LEVEL 2 SECTOR 'B' MECHANICAL PLAN
M2.22 SCALE: 1/8"=1'-0"

RECORD DRAWING:
THIS DRAWING HAS BEEN UPDATED TO REFLECT CHANGES MADE DURING CONSTRUCTION BASED UPON INFORMATION FURNISHED TO THE ENGINEER BY THE INSTALLATION CONTRACTOR. NO WARRANTY EITHER EXPLICIT OR IMPLIED IS GIVEN BY MFA, INC. AS TO THE ACCURACY AND/OR COMPLETENESS OF THIS INFORMATION.

phase	RECORD DRAWING
date	11/09/2015
revisions	
project #	11082

c:\dowa\architects\6470_parkrose_midschool\mef\record\drawings\complete_cad\area\pdf\6470-m221_m222.dwg 9/20/2016 8:07 AM