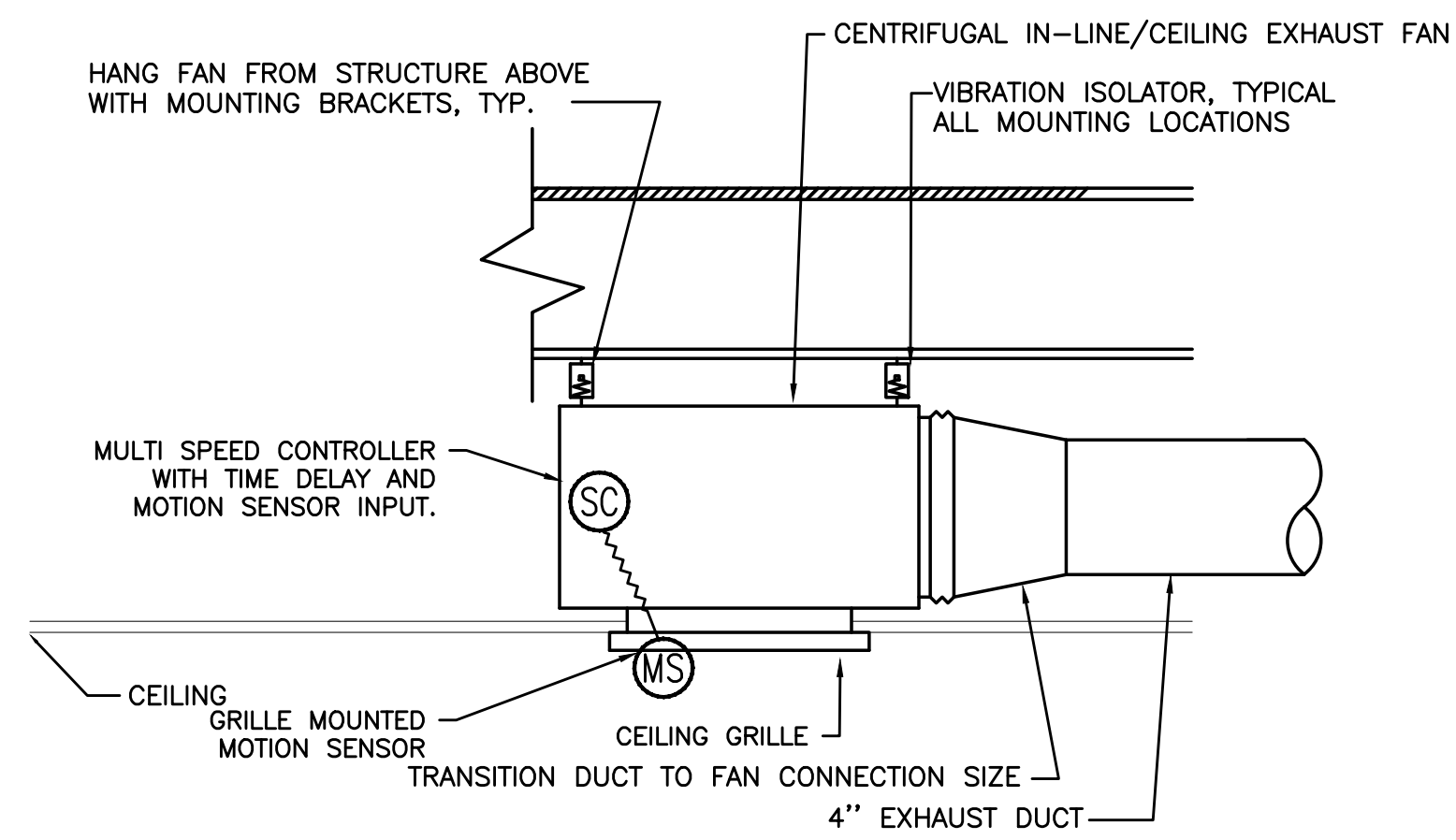
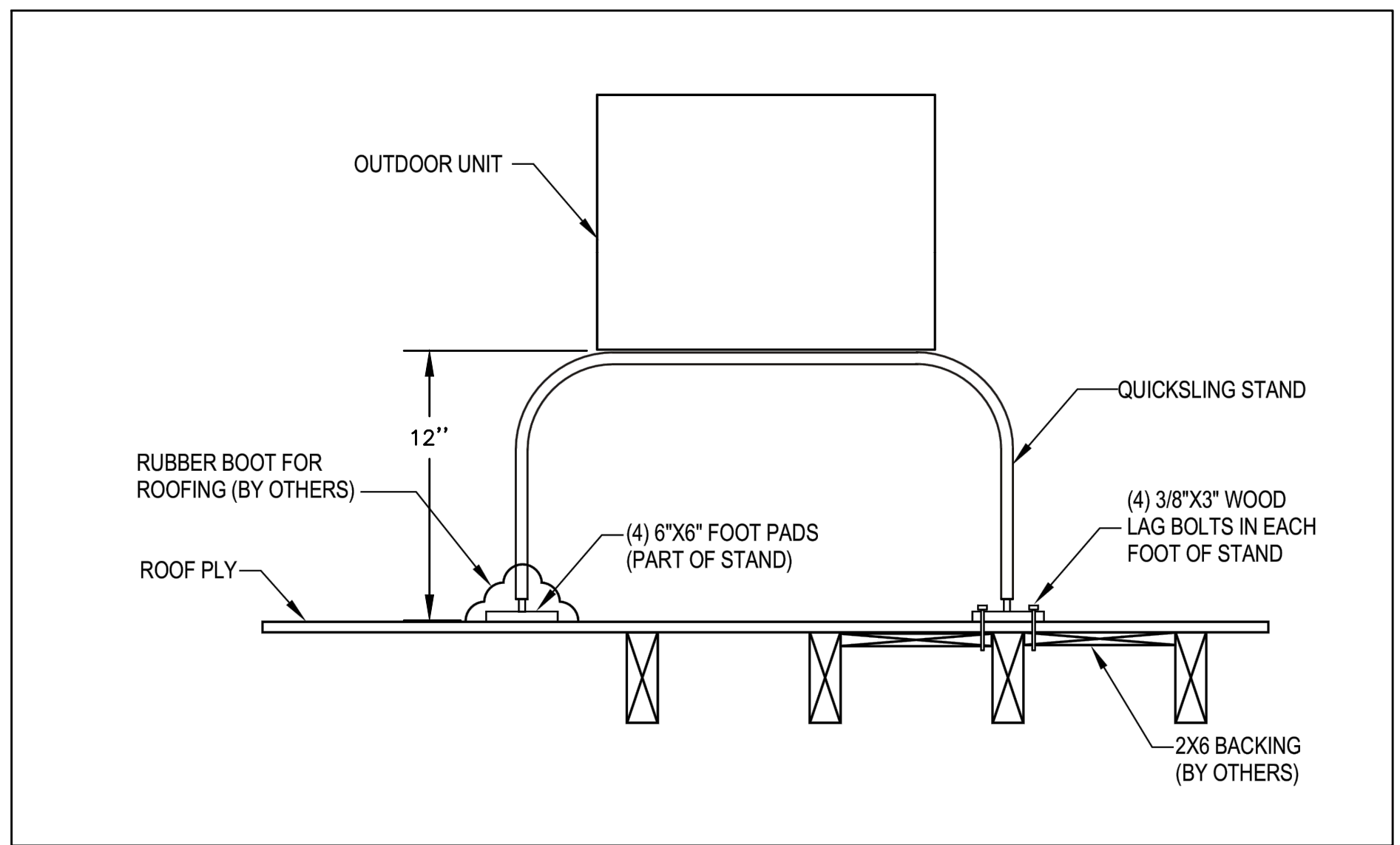


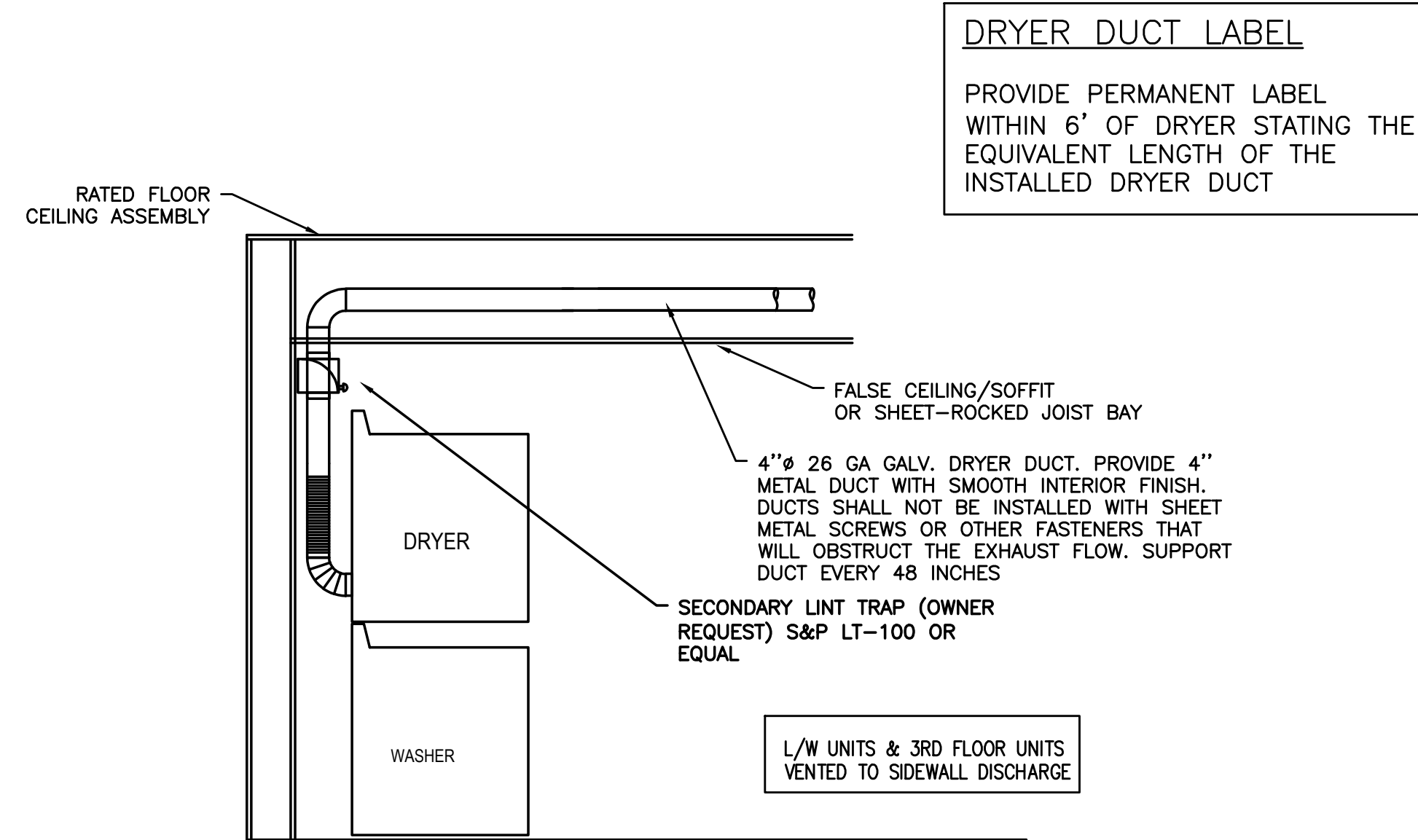
1 GENERAL GLOBE STYLE VENT
M6.3 SCALE: DETAIL



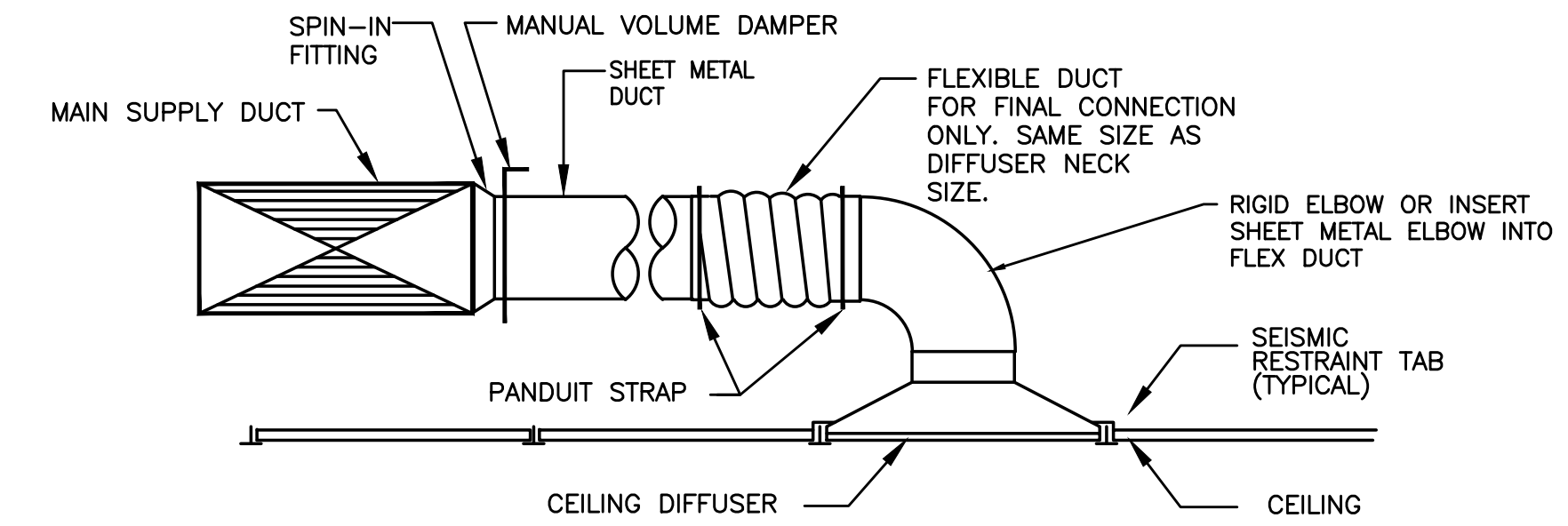
2 RESTROOM EXHAUST FAN
M6.3 SCALE: DETAIL



4 HEAT PUMP STAND DETAIL
M6.3 DETAIL



6 DRYER VENTING DETAIL
M6.3 SCHEMATIC



5 SUPPLY DIFFUSER
M6.3 SCHEMATIC

DRYER DUCT LABEL
PROVIDE PERMANENT LABEL WITHIN 6' OF DRYER STATING THE EQUIVALENT LENGTH OF THE INSTALLED DRYER DUCT

L/W UNITS & 3RD FLOOR UNITS VENTED TO SIDEWALL DISCHARGE

"AMERICAN MANUFACTURED IS PREFERRED"

RECORD DRAWING:
THIS DRAWING HAS BEEN UPDATED TO REFLECT CHANGES MADE TO PERMITS CONSTRUCTION. BASED UPON INFORMATION FURNISHED TO THE ENGINEER BY THE INSTALLATION CONTRACTOR. NO WARRANTY, EITHER EXPLICIT OR IMPLIED, IS GIVEN BY MEA, INC. AS TO THE ACCURACY AND/OR COMPLETENESS OF THIS INFORMATION.

AS-BUILT PREPARED 1.22.2020

FOSTER SHELTER
6144 SE FOSTER RD., PORTLAND, OREGON 97206
CLIENT: MULTNOMAH COUNTY

MBA MERRYMAN BARNES ARCHITECTS 4713 N ALBINA AVE. SUITE 304 PORTLAND, OREGON 97217 P-503.222.3753

PROJECT NO. 17-0918	ISSUE DATE 05.04.2018
REVISIONS	
△	CHECKSHEET 5.23.2018
△	OWNER CHANGES 2.26.2019

SHEET

MECHANICAL
DETAILS
M6.3

PERMIT SET
© MERRYMAN BARNES ARCHITECTS, INC.