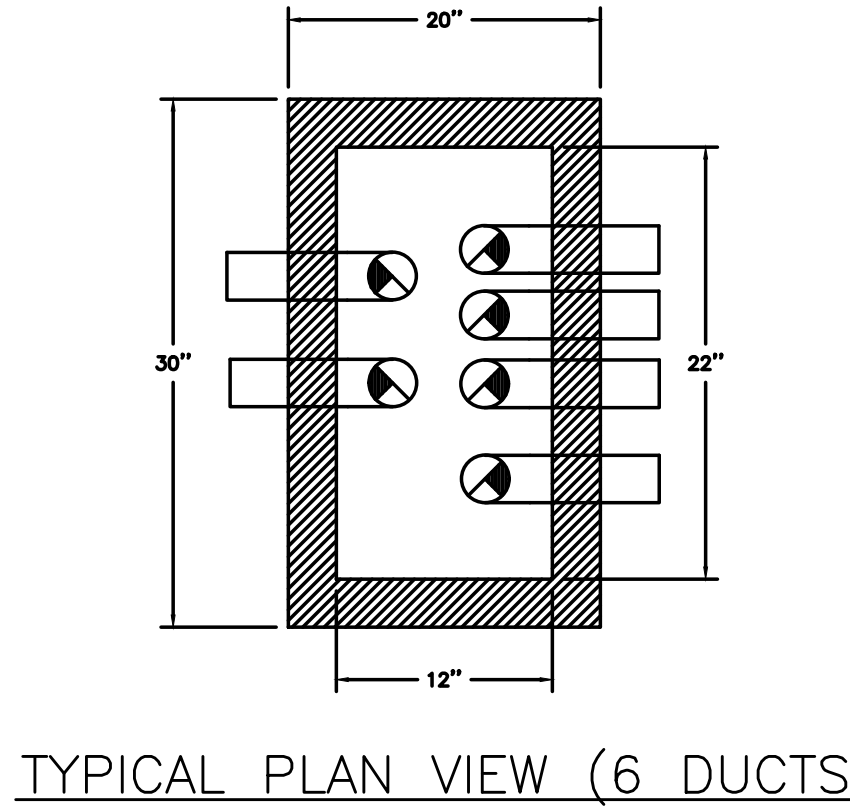
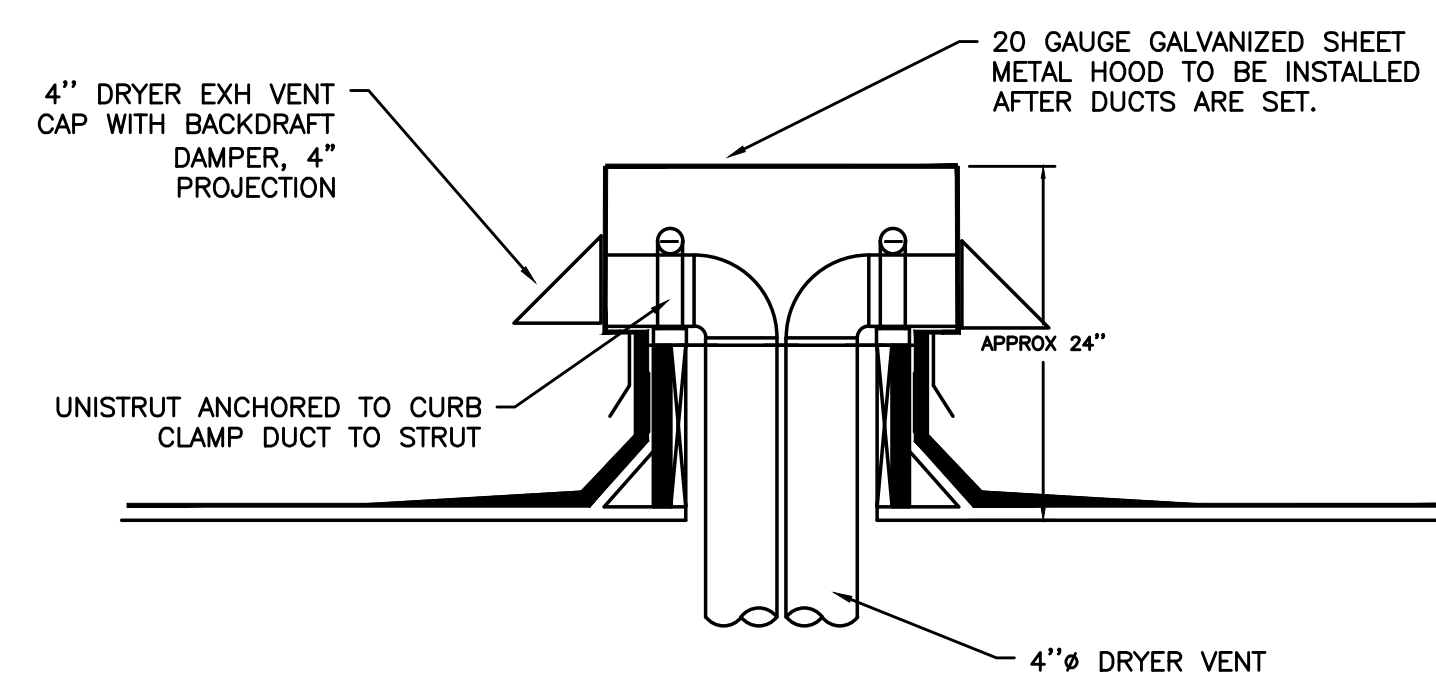


1 ROOF TOP UNIT W/ VIBRATION ISOLATION CURB
M6.2 SCALE: DETAIL

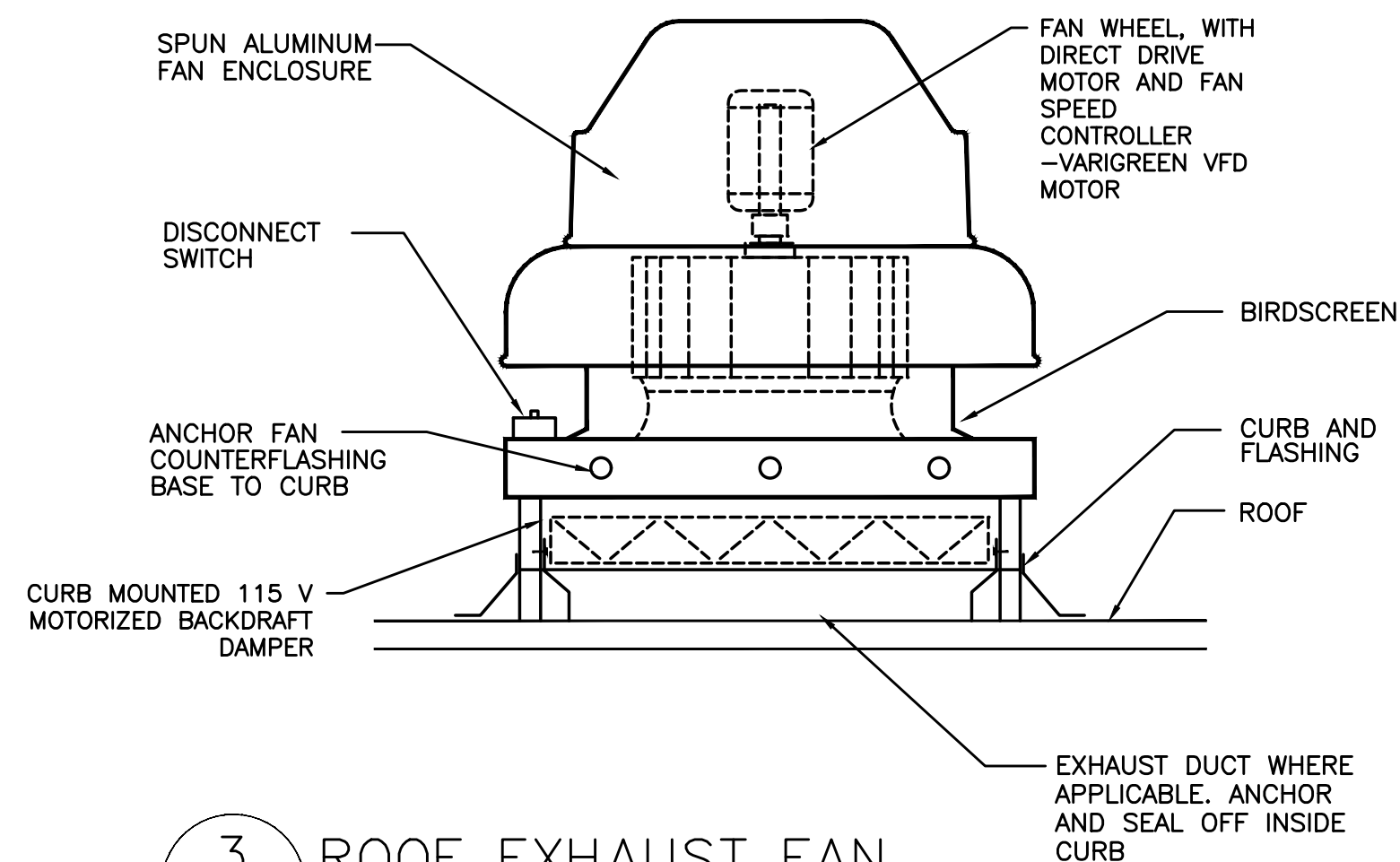


TYPICAL PLAN VIEW (6 DUCTS)

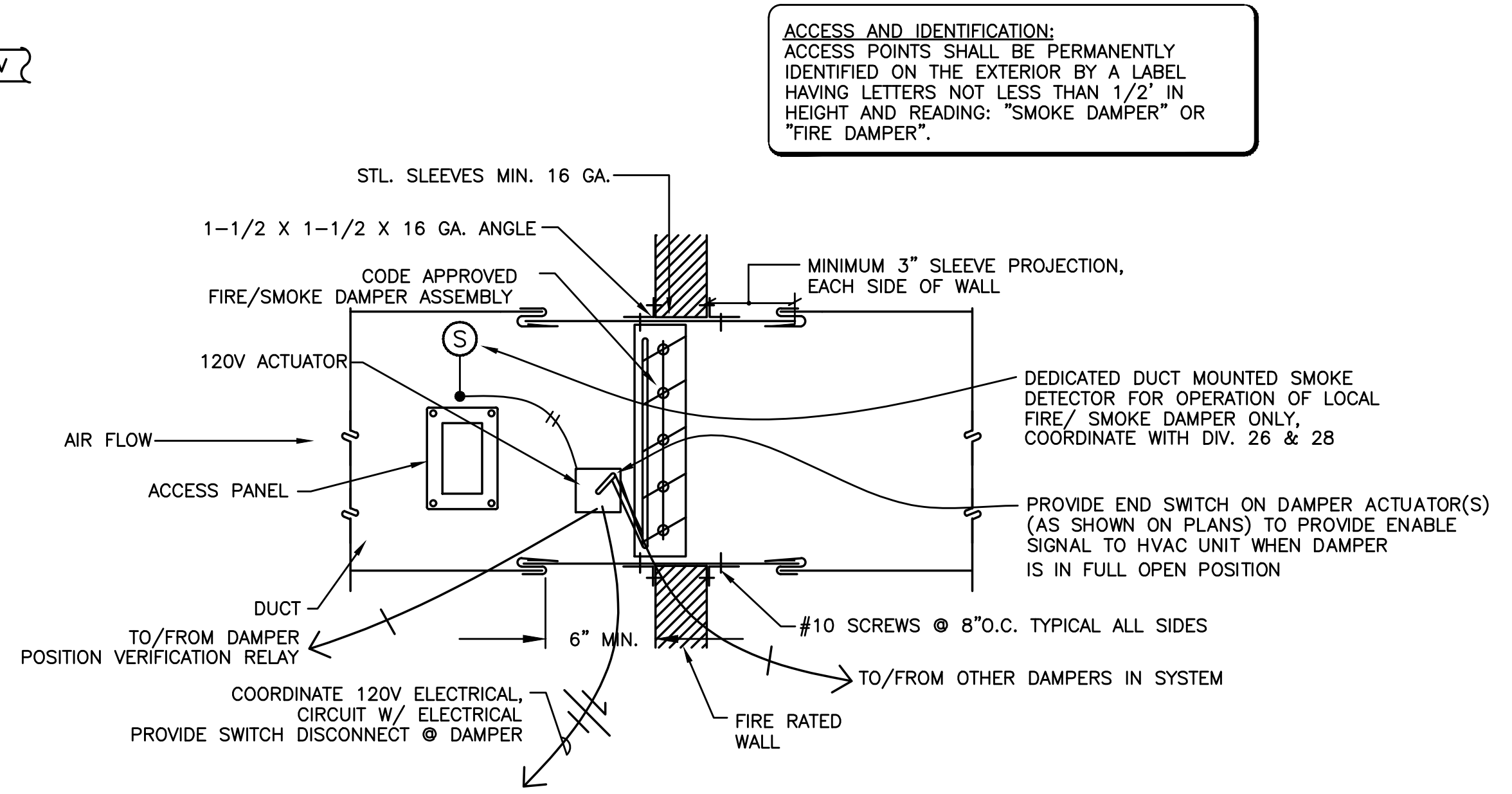
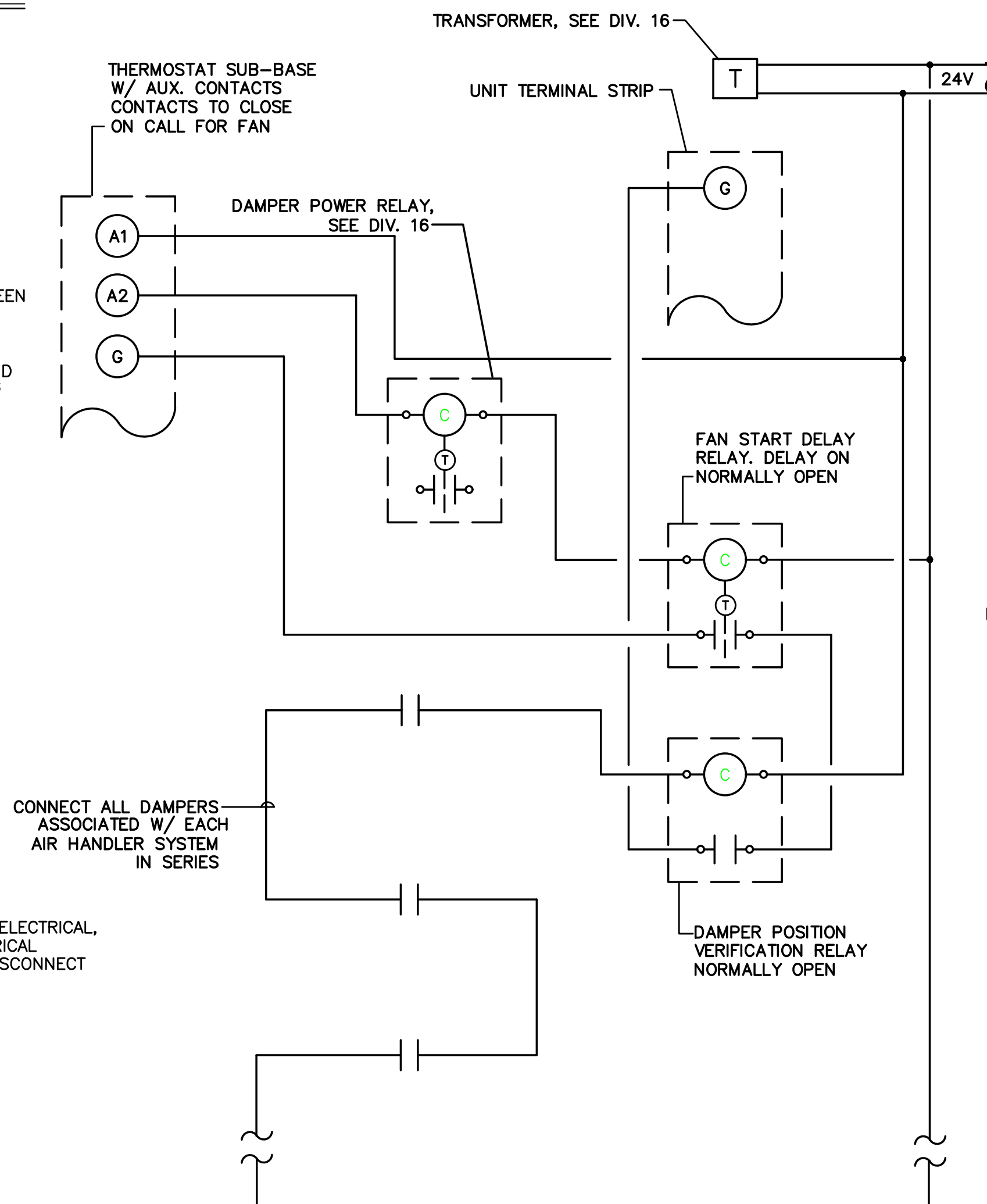


SECTION VIEW

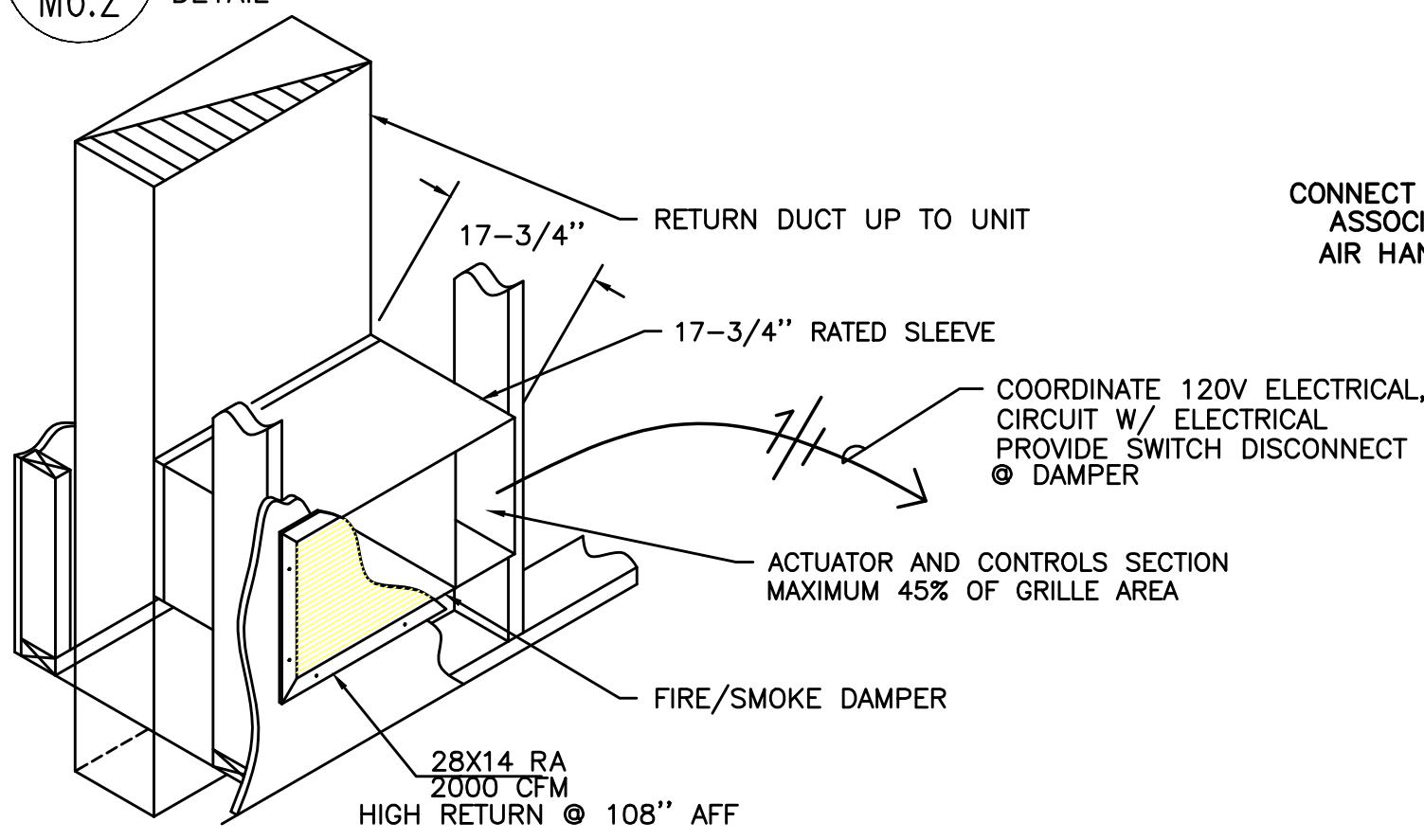
2 TYPICAL ROOFTOP OUTLET HOOD
M6.2 NOT TO SCALE



3 ROOF EXHAUST FAN
M6.2 DETAIL



4 FIRE/SMOKE DAMPER W/SMOKE DETECTOR
M6.2 NOT TO SCALE



5 HIGH RETURN W/ FIRE/SMOKE DAMPER
M6.2 SCALE: DETAIL

NOTE:
PROVIDE ALL REQUIRED CONTROL WIRING TO ACCOMPLISH:
FIRE/SMOKE DAMPER - FIRE/SMOKE DAMPER TO CLOSE UPON ACTIVATION OF LOCAL SMOKE DETECTOR
EXHAUST DUCTS/FANS - FIRE/SMOKE DAMPER TO CLOSE UPON SHUTDOWN OF ASSOCIATED EXHAUST FAN.
SUPPLY OR RETURN DUCTS/FANS - FIRE/SMOKE DAMPER TO CLOSE UPON SHUTDOWN OF ASSOCIATED AIR HANDLING UNIT.

GENERAL NOTES:
PROVIDE ACCESS IN CEILING OR WALL FOR DAMPER AND SMOKE DETECTOR
SEE ELECTRICAL DRAWINGS FOR WIRING INSTALLATION

"AMERICAN MANUFACTURED IS PREFERRED"

RECORD DRAWING:
THIS DRAWING HAS BEEN UPDATED TO REFLECT CHANGES MADE TO PROJECT CONSTRUCTION. PLEASE CHECK FOR ANY CHANGES TO THE ENGINEER UPON INFORMATION FURNISHED TO THE ENGINEER BY THE INSTALLATION CONTRACTOR. NO WARRANTY EITHER EXPLICIT OR IMPLIED IS GIVEN BY MEA, INC. AS TO THE ACCURACY AND/OR COMPLETENESS OF THIS INFORMATION.

AS-BUILT PREPARED 1.22.2020

FOSTER SHELTER
6144 SE FOSTER RD., PORTLAND, OREGON 97206
CLIENT: MULTNOMAH COUNTY



PROJECT NO. 17-0918
ISSUE DATE 05.04.2018
REVISIONS:
CHECKSHEET 5.23.2018
OWNER CHANGES 2.26.2019

SHEET
MECHANICAL DETAILS
M6.2
PERMIT SET
© MERRYMAN BARNES ARCHITECTS, INC.