

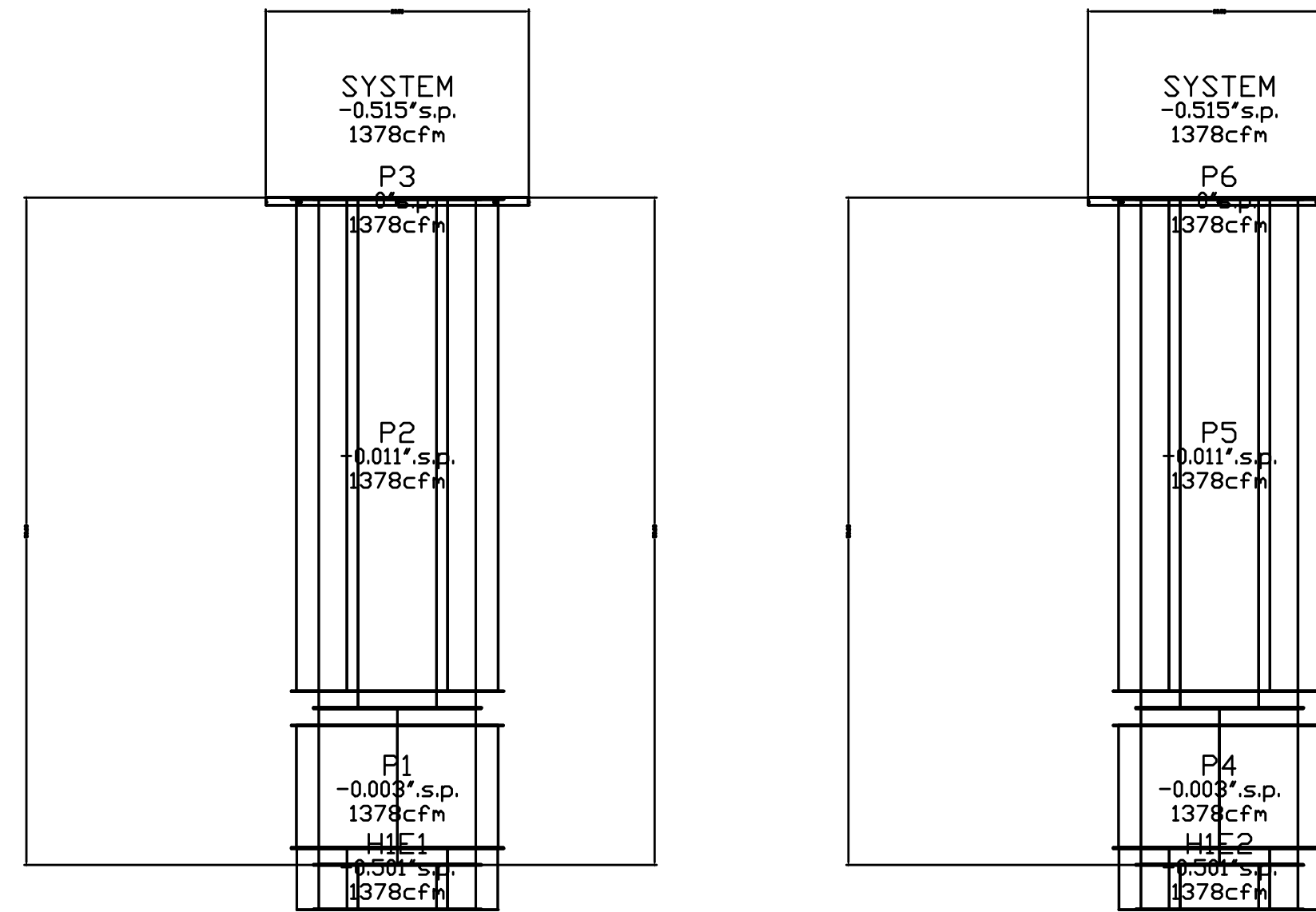
DOUBLE WALL FACTORY BUILT DUCTWORK

- ALL DUCTWORK IS REQUIRED TO BE INSTALLED WITH THE MAXIMUM SUPPORT SPACING LISTED BELOW.
- FOR A COMPLETE LIST OF APPROVED SUPPORT METHODS, SEE THE ENTIRE INSTALLATION AND OPERATION MANUAL
- DUCTWORK SHALL SLOPE NOT LESS THAN 1/16" PER LINEAR FOOT TOWARDS THE HOOD OR AN APPROVED GREASE COLLECTION RESERVOIR.
- WHERE HORIZONTAL DUCTS EXCEED 75 FEET IN LENGTH, THE SLOPE SHALL NOT BE LESS THAN 3/16" PER LINEAR FOOT.

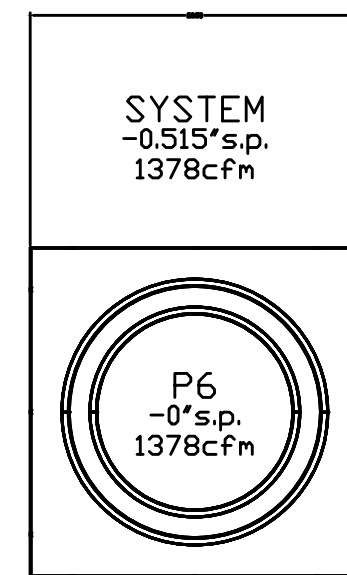
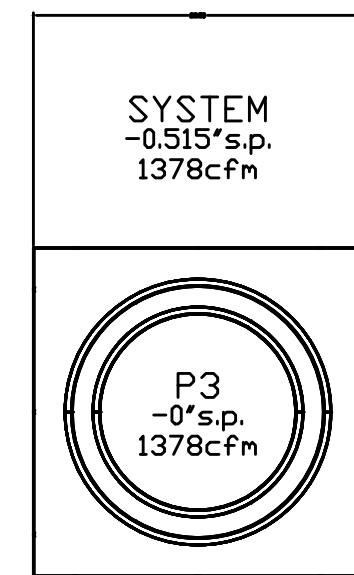
| HORIZONTAL | |
|---------------|----------------------|
| DUCT DIAMETER | SUPPORT SPACING (ft) |
| 8' | 7' |
| 10' | 7' |
| 12' | 7' |
| 14' | 7' |
| 16' | 7' |
| 18' | 5' |
| 20' | 5' |
| 22' | 5' |
| 24' | 5' |

| VERTICAL | | | |
|------------|-------------------|-------------------|--------------------|
| TYPE | WALL SUPPORT (ft) | CURB SUPPORT (ft) | FLOOR SUPPORT (ft) |
| 2R & 2R HT | 20' | 24' | 24' |
| 3R | 10' | 24' | 24' |
| 3Z | 10' | 24' | 24' |

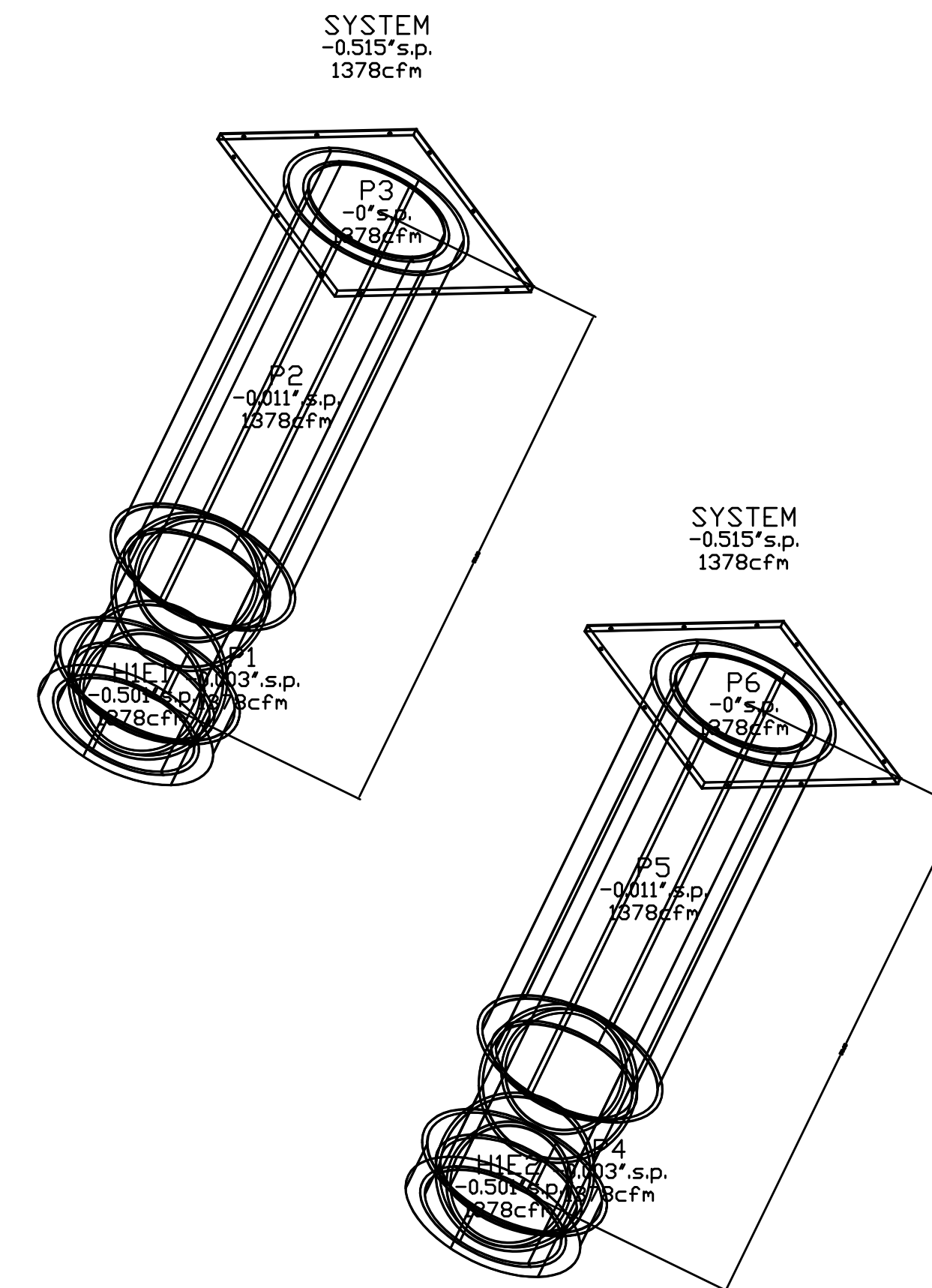
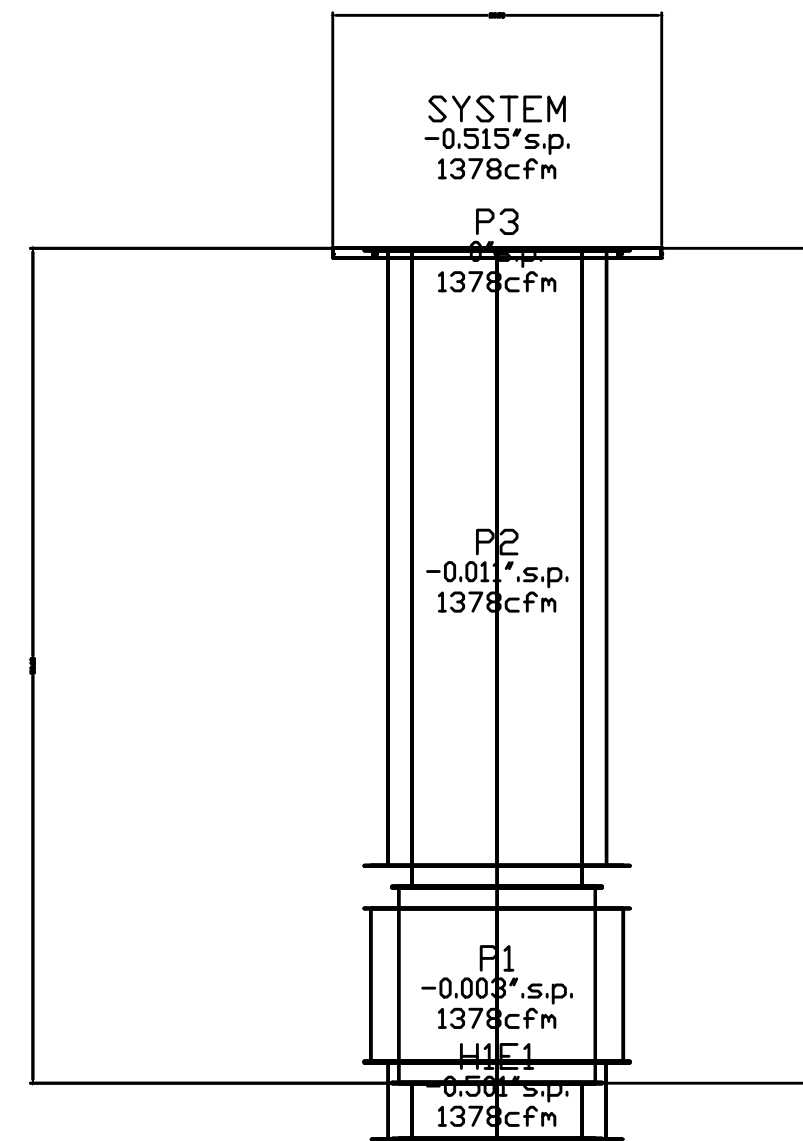
DuctWork #1 Front View
KITCHEN



DuctWork #1 Top View
KITCHEN



DuctWork #1 Side View
KITCHEN



RECORD DRAWING:

THIS DRAWING HAS BEEN UPDATED TO REFLECT CHANGES MADE TO THE CONSTRUCTION PERMIT UPON INFORMATION FURNISHED TO THE ENGINEER BY THE INSTALLATION CONTRACTOR. NO WARRANTY, EITHER EXPLICIT OR IMPLIED IS GIVEN BY MEA, INC. AS TO THE ACCURACY AND/OR COMPLETENESS OF THIS INFORMATION.

AS-BUILT PREPARED 1.22.2020

FOSTER SHELTER
6144 SE FOSTER RD., PORTLAND, OREGON 97206
CLIENT: MULTNOMAH COUNTY



MERRYMAN BARNES ARCHITECTS 4713 N ALBINA AVE. SUITE 304 PORTLAND, OREGON 97217 P: 503.222.2753

| | |
|------------------------|--------------------------|
| PROJECT NO. 17-0918 | ISSUE DATE 05.04.2018 |
| REVISIONS | |
| △ | CHECKSHEET 5.23.2018 |
| △ | OWNER CHANGES 2.26.2019 |

SHEET

CAPTIVE AIR
DETAILS

M5.3

PERMIT SET
© MERRYMAN BARNES ARCHITECTS, INC.

"AMERICAN MANUFACTURED IS PREFERRED"