

CCB# 198478
1485 20th Street SE
Salem, OR 97302
Phone: 503.584.1416
Fax: 503.362.8842

Project: Student Services Building

TO: Attn: Drew Cornedi
CBTWO Architects
500 Liberty St Se, Suite 100
Salem, OR 97301

Sabina Frank
Andy Medcalf Construction Co.
1485 20th Street SE
Salem, Oregon 97302

SUBMITTAL REVIEW

THIS REVIEW IS ONLY FOR GENERAL CONFORMANCE WITH INFORMATION GIVEN AND THE DESIGN CONCEPT EXPRESSED IN THE CONTRACT DOCUMENTS. IN NO CASE IS A SUB-CONTRACTOR RELIEVED OF RESPONSIBILITY FOR ADHERENCE TO THE CONTRAT DOCUMENTS AND SATISFACDTORY CONSTRUCTION OF ALL WORK. THE INTENT OF THIS SUBMITTAL REVIEW IS TO COORDINATE ALL TRADES, THE GENERAL CONTRACTOR, AND THE ARCHITECT FOR PRODUCTS AND SERVICES ASSOCIATED WITH THIS PROJECT

SUBMITTAL #: 28 00 00 - 1 Electronic Safety and Security

REVIEWED BY: Sabina Frank

DATE SUBMITTED Friday, April 22, 2022

SCHEDULE IMPACT: YES

COPIED TO:

INFORMATION SUBMITTED:

ARCHITECTURAL SUBMITTAL REVIEW STAMP

DOCUMENTS

PLANS / PRINTS

PRODUCT INFORMATION

PRODUCT MANUAL

SAMPLES

SHOP DRAWINGS

PROCESSED SUBMITTAL

REVIEWED

PROCEED AS NOTED

REVISE & RESUBMIT

SUBMIT SPECIFIED ITEM

NOT REVIEWED

REJECTED

SUBMITTED BY:

EMAIL

SMARTSHEETS

POSTAL SERVICE

FAXED

PROCORE

No Exception Taken

MFA, Inc

Gary Adovnik

Checking is only for general conformance with the design concept of the project and general compliance with the information given in the contract documents. Any action shown is subject to the requirements of the plans and specifications. Contractor is responsible for: Dimensions, which shall be confirmed and correlated at the job site; fabrication processes and techniques of construction; coordination of his work with that of all other trades; and the satisfactory performance of his work.

04/25/2022

Northside Electric

ELECTRICAL SUBMITTALS – Division 28

*Student Services Building
2575 Commercial St. SE
Salem, Oregon 97302*

*Andy Medcalf Construction Co.
1485 20th St. SE
Salem, Oregon 97302
503-584-1416*

P.O. Box 12323 / Salem, Oregon 97309 / Phone (503) 585-4879 / Fax (503) 364-0248

www.northsideelectric.com

info@northsideelectric.com

OCCB# 80593

Table of Contents

Spec #	Section		
Manufacturer		Doc Name	Page #
Doc #			
28.13.00	Card Access		
1		Access Control	1
2		Intrusion Detection	45
28.23.10	Surveillance System		
3		Video Surveillance	72
28.31.10	Fire Alarm and Detection System Modification		
4		Fire Alarm	89

No Exception Taken

MFIA, Inc
Gary Adovnik

Checking is only for general conformance with the design concept of the project and general compliance with the information given in the contract documents. Any action shown is subject to the requirements of the plans and specifications. Contractor is responsible for: Dimensions, which shall be confirmed and correlated at the job site; fabrication processes and techniques of construction; coordination of his work with that of all other trades; and the satisfactory performance of his work.

04/25/2022



ednetics®

Access Control

Headquarters

971 S. Clearwater Loop
Post Falls, ID 83854
T 208.777.4709
F 208.777.4708

Washington

1055 NW Maple Street
Issaquah, WA 98027
T 425.200.0200
F 425.200.0201

Washington

1617 S. Washington St. A
Kennewick, WA 99337
T 509.955.2200
F 509.955.2201

Oregon

13535 SW 72nd Ave. Ste. 140
Tigard, OR 97223
T 971.888.7801
F 971.888.7802

Idaho

3070 E Franklin Rd Ste. 301
Meridian, ID 83642
T 208.501.0030
F 208.501.0031



OVERVIEW

The Zone Controller (ZONEC2) allows for integration of non-network devices to the network. The full-featured, multi-purpose unit interacts directly with an organization's mass notification system, acting as a hub for a variety of devices.

ANALOG INTEGRATION



Connect to an existing amplifier, sensor, contact closure, access control device, microphone, CD/MP3 player, strobe, and more

SIP INTEGRATION



Call to page analog speakers

SOFTWARE



Diagnostic software included
Compatible with third-party software, including InformaCast, Revolution, and Cisco CallManager

SOLUTIONS

- Paging
- Bell scheduling
- Code alerts
- Emergency notification
- Access control
- Security monitoring
- Sound Masking
- Music streaming

ADDITIONAL FEATURES

- Built-in web server
- Full multicast and broadcast support
- Requires Cat5 or Cat6 cable
- Audio line in
- Audio line out
- 2 general purpose inputs
- 1 general purpose output with option to provide 12V DC power
- 8-ohm speaker output
- Microphone input

COMPATIBLE PERIPHERALS

Strobe Kit
AND-STROBE-KIT-1

Call Button Kit
AND-BTN-KIT-1

SOFTWARE

The ZONEC2 integrates easily with third-party mass notification software, as well as SIP and VoIP phone systems, enabling a facility to take advantage of all the device capabilities. The device also comes with diagnostic software (compatible to run alongside third-party software), and an on-board web server interface, both which provide the ability to monitor and troubleshoot the ANetD devices on the network.

Third-Party Software

- InformaCast (Singlewire)
- Revolution (Syn-Apps)
- IPSession (IPCelerate)
- MessageNet Systems
- BellComander (Acro Vista)
- And more!

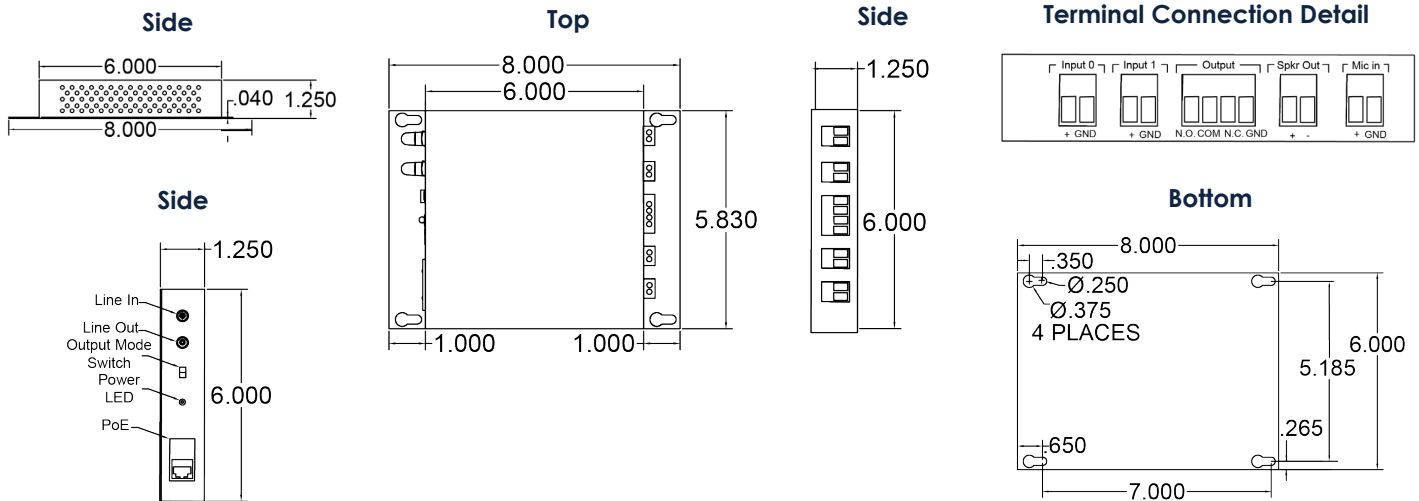
VoIP Phone Systems

- Cisco CallManager
- Mitel
- Avaya
- 3CX
- Polycom
- And more!

IPClockWise

- Diagnostic tool included with device purchase
- Complements investment in third-party software
- Developed and supported by Advanced Network Devices

DIMENSIONS



SPECIFICATIONS	ZONEC2
ETHERNET I/F	10/100 Mbps
AUDIO POWER	8 W / 16 W
POWER INPUT	PoE (IEEE802.3af) 15.4 W or PoE+ (IEEE802.3at) 30.0 W
SUPPORTED PROTOCOLS	SIP, IPv4, IPv6, 802.1X, HTTP, SLP, TFTP, NTP, SNMPV1 & SNMPV2c, DHCP, IGMP, ICMP, TCP/IP, LLDP-MED, UDP, MDNS & MDNS-SD
OPERATING TEMPERATURE	0° TO 50° C (34° TO 122° F)
DIMENSIONS	8.0" W x 1.25" H x 6.0" D
WEIGHT	1 lb 8 oz (680 g)
WARRANTY	2 Year Limited

Due to continual product development, specifications are subject to change without notice.



Advanced Network Devices | 3820 N. Ventura Dr. Arlington Hts. IL 60004
847-463-2236 | sales@anetd.com | www.anetd.com



COPPER PATCH CABLES

Pictured: CEXC6V8F1B-C_006F (BK, WH, GY, BU, YE, GN)

Copper Patch Cables

CEX Copper Patch Cables give you affordable and reliable networking. With many different cable color and gauge optionsⁱ, this product family will fit the vast majority of your data connectivity needs.



CAT5e, CAT6, or CAT6a

- 23 AWG (Solid), 24 AWG (Solid or Stranded), 26 & 28 AWG (Stranded)

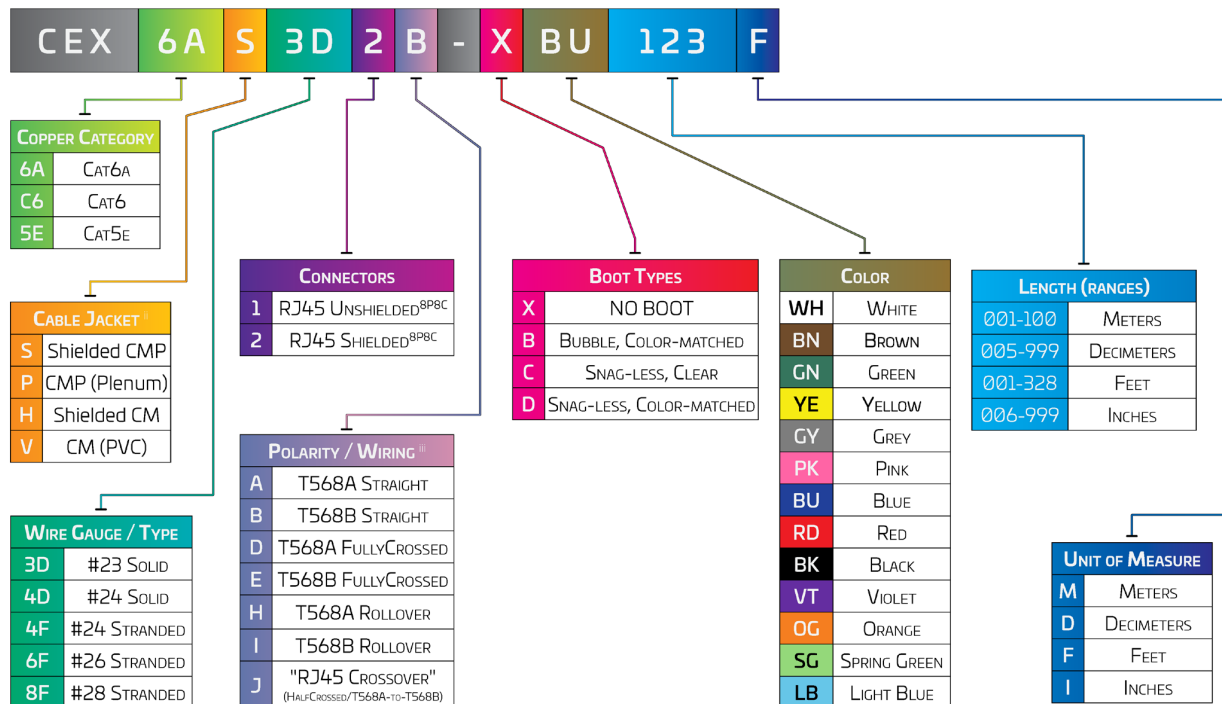
RJ45 Shielded or Unshielded

- 8-pin, 8-connector (8P8C)

28 AWG Stranded Tinned Copper up to 50 meters

- 68% the size of standard CAT6
- 48% smaller cross sectional area
- Improved Cable Density

note that `LENGTH (RANGES)` refers to overall length as measured from connector tips, excluding industry standard tolerances



i. subject to availability -- color options may vary depending on other component selections

ii. 'S'; 'H' -- overall foil shielding (F/UTP) or better

iii. wiring diagrams available upon request

PART NUMBER 002391

UL Listed and Rated Type CMP Multi-Conductor Non-Shielded Plenum Cable



CABLE SPECIFICATIONS

DESCRIPTION	18 AWG 6 Conductor Bare Copper, Non-Shielded Plenum, UL Listed C(UL)US CMP
CONDUCTOR	18 (7/26 Bare Copper)
INSULATION	Low-Smoke PVC .008"
COLOR CODE	Black/White/Red/Green/Brown/Blue
LAY LENGTH	3.75" LHL (approx. 3.2 TPF)
SHIELD	N/A
DRAIN WIRE	N/A
JACKET	Low-Smoke PVC .018"
JACKET COLOR	White Jacket
MARKING	SMARTWIRE DEVICE / ZONE A B C D E 0 1 2 3 4 5 6 7 8 9 18 AWG C(UL)US CMP ROHS MADE IN THE USA
OVERALL DIAMETER	.208" Nom.
CABLE WEIGHT	46 Lbs/Mft.
CAPACITANCE	27 pF/Ft. Nom.
IMPEDANCE	70 Ohms
DC RESISTANCE	6.66 Ohms/Mft. maximum @ 20 C
TEMPERATURE RATING	0 C to 75 C / 300 Volt

INDUSTRY STANDARDS

FLAME RATING	Approved For Plenum Use Without Conduit Per NFPA 262 Flame Test
AGENCY APPROVALS	NEC Article 800; UL Listed C(UL)US CMP, RoHS Compliant, Made in the USA



All specifications referenced are nominal measurements unless otherwise noted.

PART NUMBER 002380

UL Listed and Rated Type CMP Multi-Conductor Non-Shielded Plenum Cable



CABLE SPECIFICATIONS

DESCRIPTION	18 AWG 4 Conductor Bare Copper, Non-Shielded Plenum, UL Listed C(UL)US CMP
CONDUCTOR	18 (7/26 Bare Copper)
INSULATION	Low-Smoke PVC .008"
COLOR CODE	Black/White/Red/Green
LAY LENGTH	3.5" LHL (approx. 3.4 TPF)
SHIELD	N/A
DRAIN WIRE	N/A
JACKET	Low-Smoke PVC .018"
JACKET COLOR	White Jacket
MARKING	SMARTWIRE DEVICE / ZONE A B C D E 0 1 2 3 4 5 6 7 8 9 18 AWG C(UL)US CMP ROHS MADE IN THE USA
OVERALL DIAMETER	.184" Nom.
CABLE WEIGHT	32 Lbs/Mft.
CAPACITANCE	26 pF/Ft. Nom.
IMPEDANCE	72 Ohms
DC RESISTANCE	6.66 Ohms/Mft. maximum @ 20 C
TEMPERATURE RATING	0 C to 75 C / 300 Volt

INDUSTRY STANDARDS

FLAME RATING	Approved For Plenum Use Without Conduit Per NFPA 262 Flame Test
AGENCY APPROVALS	NEC Article 800; UL Listed C(UL)US CMP, RoHs Compliant, Made in the USA



All specifications referenced are nominal measurements unless otherwise noted.

PART NUMBER 002320

UL Listed and Rated Type CMP Multi-Conductor Shielded Plenum Cable



CABLE SPECIFICATIONS

DESCRIPTION	18 AWG 2 twisted Conductors Bare Copper, Shielded Plenum, UL Listed C(UL)US CMP
CONDUCTOR	18 (7/26 Bare Copper)
INSULATION	Low-Smoke PVC .008"
COLOR CODE	Black/White
LAY LENGTH	2.5" LHL (4.8 TPF)
SHIELD	Aluminum Mylar
DRAIN WIRE	24 AWG 7 Strand Tinned Copper
JACKET	Low-Smoke PVC .018"
JACKET COLOR	White Jacket
MARKING	SMARTWIRE DEVICE / ZONE A B C D E 0 1 2 3 4 5 6 7 8 9 18 AWG C(UL)US CMP ROHS MADE IN THE USA
OVERALL DIAMETER	.158" Nom.
CABLE WEIGHT	21 Lbs/Mft.
CAPACITANCE	68 pF/ft Nom.
IMPEDANCE	28 Ohms
TEMPERATURE RATING	0Â° C to 75Â° C / 300 Volt

INDUSTRY STANDARDS

FLAME RATING	Approved For Plenum Use Without Conduit Per NFPA 262 Flame Test
AGENCY APPROVALS	NEC Article 800; UL Listed C(UL)US CMP, RoHs Compliant, Made in the USA

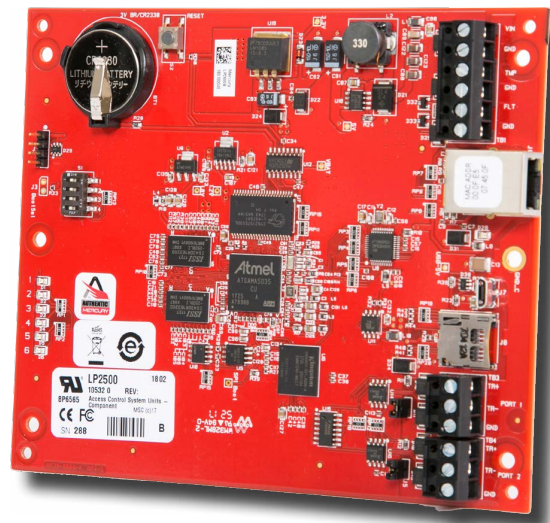


All specifications referenced are nominal measurements unless otherwise noted.

LP Series - AC-MER-CONT-LP2500 Master Intelligent Controller

The Avigilon Access Control Manager (ACM) system supports open field hardware from Mercury Security allowing organizations to leverage investments in non-proprietary field hardware, with retrofit programs available for industry standard multi-device interface panels, power and communication controller boards, and intelligent controllers. The new Authentic Mercury LP Series Intelligent Controllers are Mercury Security's enhanced platform that offers an improved processor and increased memory, plus feature an embedded crypto memory chip that provides a secured layer of encryption to onboard sensitive data.

The AC-MER-CONT-LP2500 is a powerful intelligent controller with native network support and is scalable to 64 doors/openings. Capable of elaborate processes and procedures without host intervention, the intelligent controller, once programmed, can function independently of the host.



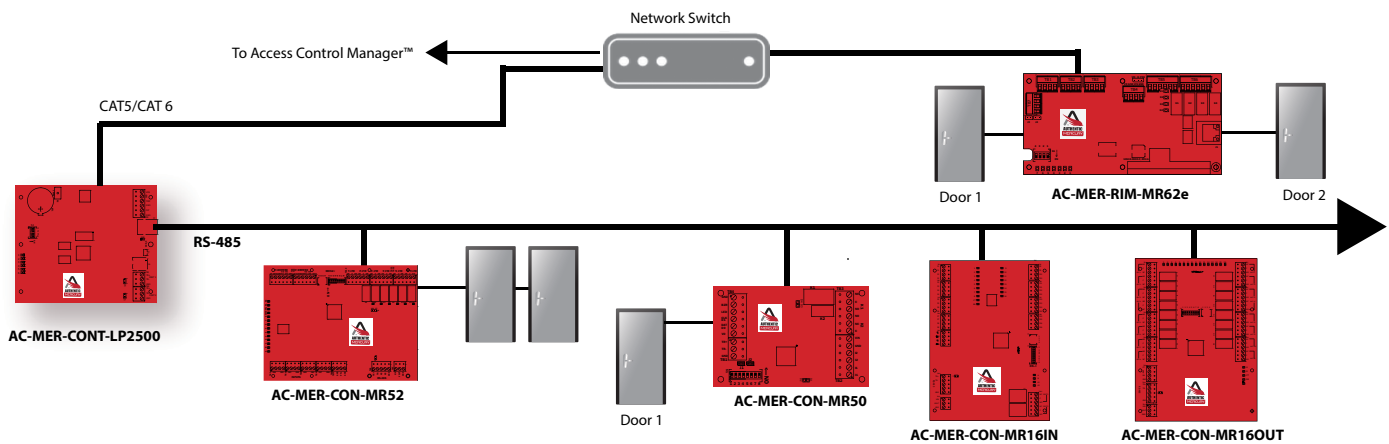
KEY FEATURES

- Enhanced Security: Embedded crypto memory chip and data at rest encryption provides secured layer of protection of sensitive data
- Host communications protected by TLS 1.2/1.1
- Controller/IO Expansion connection protected by AES (Series 3 SIO)
- Port based network access control using 802.1X
- FIPS 140-2 user of OpenSSL
- Encrypted database with configurable sizing



Specifications

TECHNICAL SPECIFICATIONS	Access Control	380,136 cardholder capacity 50,000 transaction buffer Supports up to 2 RS-485 IO protocols 16 access levels per cardholder Cardholder - 19 Digit (64 Bit) User ID with 8 digit PIN MAX Activation/Deactivation	If/Then macro capabilities Anti-passback support Nested, area, hard, soft and timed forgiveness Adjustable cardholder capacity Supports up to 512 inputs or 512 outputs
	Door Control	Natively does not support any readers or openings Use in conjunction with IO expansion modules to support up to 64 readers and openings	
	Primary Power	12 to 24 Vdc ± 10%, 250 mA maximum (USB port current not included)	
	Micro USB Port	5 Vdc, 500 mA maximum (add 270 mA to primary power current)	
	Battery	Memory/ Clock Backup: 3 Volt Lithium, type BR2330 or CR2330	
	microSD Card	Format: microSD or microSDHC; 2GB to 8GB	
	Host Comm.	Ethernet: 10-BaseT/100Base-TX and Micro USB port (2.0) with optional adapter: pluggable model USB2-OTGE100	
	Serial I/O Device	Two each: 2-wire RS-485, 2,400 to 115,200 bps, asynchronous, half-duplex, 1 start bit, 8 data bits, and 1 stop bit	
Inputs	Two unsupervised dedicated for cabinet tamper and UPS fault monitoring		
CABLE REQUIREMENTS	Power and Relays	1 twisted pair, 18 to 16 AWG	
	Ethernet	CAT-5, minimum	
	Reader RS-485	1 twisted pair, shielded, 120 ohm impedance, 24 AWG, 4,000 ft. (1,219 m) maximum cable length	
ENVIRONMENTAL	Temperature	-55 to 85 °C storage, 0 to 70 °C, operating	
	Humidity	5 to 95% RHNC	
MECHANICAL	Dimensions	5 in. (127 mm) W x 6 in. (152.4 mm) L x 1 in. (25 mm) H	
	Weight	4.1 oz. (115 gm) nominal, board only	
COMPLIANCE	Product Compliance	UL294 Recognized, FCC Part 15 Class A, CE Compliant, RoHS, NIST Certified Encryption	

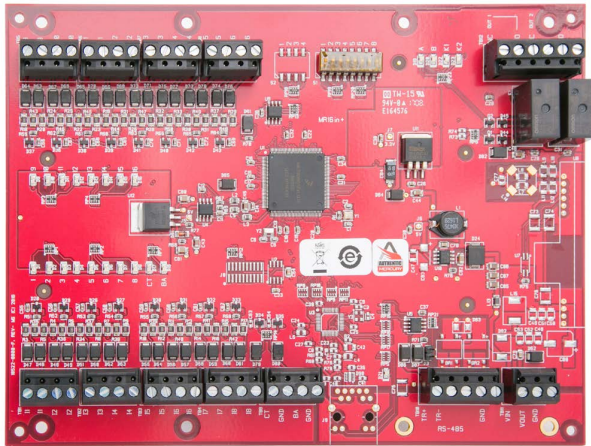


ORDERING INFORMATION

AC-MER-CONT-LP2500	LP Series - AC-MER-CONT-LP2500 - Master Intelligent Controller
--------------------	--

Series 3 - Serial I/O 16-input Interface panel

The Avigilon™ Access Control Manager (ACM)™ system supports open field hardware from Mercury Security allowing organizations to leverage investments in non-proprietary field hardware, with retrofit programs available for industry standard multi-device interface panels, power and communication controller boards, and intelligent controllers.



The Mercury Security AC-MER-CONT-MR16in Series 3 from Avigilon is an enhanced, high performance, reliable interface panel for monitoring high concentrations of inputs with the

Access Control Manager system. It offers an improved processor and increased memory with an embedded crypto memory chip for encryption support – enabling organizations to stay ahead of internal and external threats to achieve data security.

Each AC-MER-CONT-MR16in supports 16 general-purpose dry-contact inputs, configurable to be individually set for normally open, normally closed, supervised and non-supervised circuits. The AC-MER-CON-MR16in provides access control and security monitoring through the AC-MER-CONT-1DR, AC-MER-CONT-2DR or the AC-MER-CONT-64DR intelligent controllers. The result is the flexibility, versatility and reliability required for demanding access control solutions.

The Access Control Manager system and Mercury Security Series 3 open field hardware provides the ultimate platform to complete the Avigilon physical access control security solution.

Open Architecture: High performance, reliable platform enables use of hardware with the Access Control Manager system

Easy Expansion: Adds functionality and flexibility to existing access control systems

Enhanced Security: Embedded crypto memory chip provides a secure layer of encryption to protect sensitive data

Versatile Interoperability: Same reliable interface and identical footprint as Series 2 Mercury IO modules, enabling seamless upgrades for existing deployments

KEY FEATURES

Compact footprint and RS-485 connectivity
12 or 24V DC input power support
Supports being clustered or distributed to best suit the installation environment
Two programmable Form C relay outputs are configurable for fail-safe or fail secure operation, supporting “On”, “Off”, and “Pulse”
Inputs and the output relays support assignment to door related functions or to general purpose I/O
Inputs support normally open, normally closed, supervised and non-supervised circuits
Output relays are configurable for fail-safe or fail secure operation
Capable of controlling outboard devices, by the condition of selected system devices locally without ACM intervention

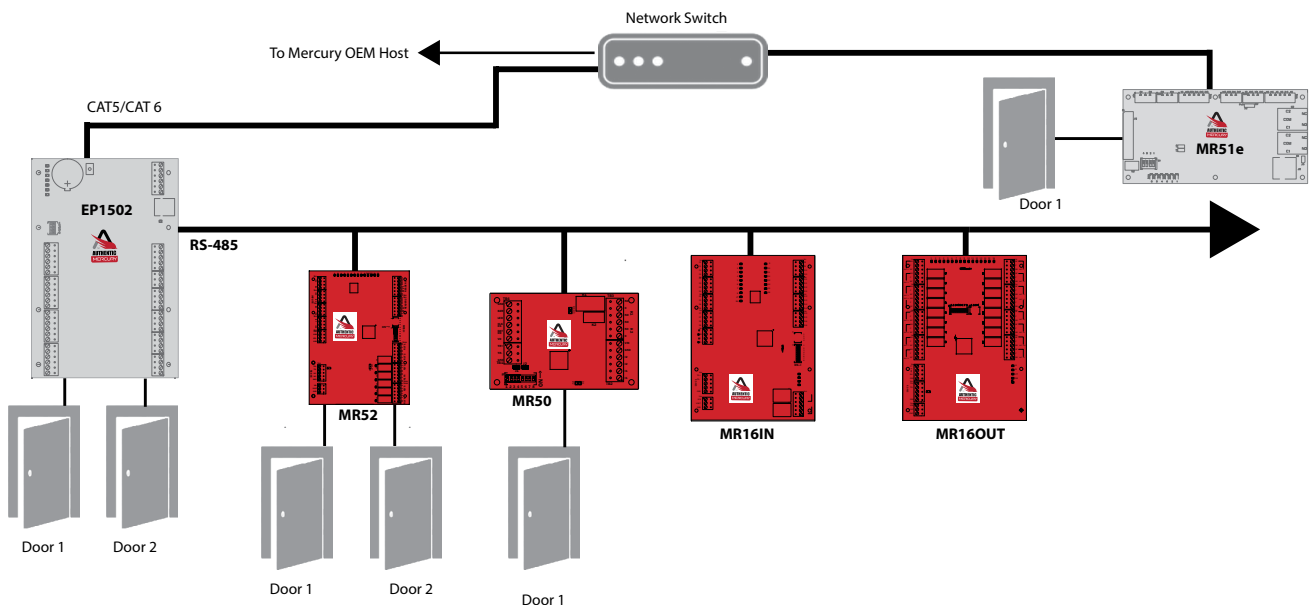


APPLICATION NOTES

The Mercury AC-MER-CONT-MR16IN is an essential component that supports Mercury’s flexible, building-block approach to access control system design. The AC-MER-CONT-MR16IN provides the capacity to link, control and respond to an array of sensors. With its RS-485 connectivity, the AC-MER-CONT-MR16IN can be clustered or distributed to best suit each installation environment.

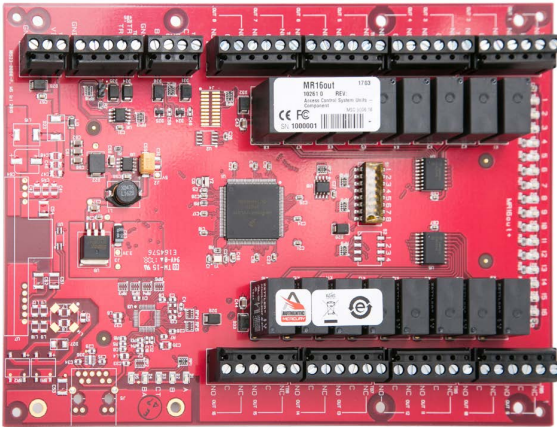
Specifications

TECHNICAL SPECIFICATIONS	Primary Power	12-24 Vdc +/- 10%, 350mA maximum
	Host Communication	RS-485, 2-wire, 4,000' (twisted pair with shield, Belden 9841)
	Inputs	16 General Purpose: Programmable circuit type 2 Dedicated: Tamper and Power Monitor
	Output Relays	Two Form-C Relays: Normally open contact (NO): 5A @ 30 Vdc resistive Normally closed contact (NC): 3A @ 30 Vdc resistive
	Dimensions	6.0' W x 8.0' L x 1.0' H, (152mm W x 203mm L x 25mm H)
	Temperature	0-70 °C operational, -55-85 °C storage
	Humidity	5 to 95% RHNC
	Standards	UL 294 recognized, CE compliant, RoHS, FCC Part 15 Subpart B
ORDERING INFORMATION	AC-MER-CONT-MR16IN	16 Zone Input Monitor Module (with 2 relays) (Mercury MR16IN-S3)



Series 3 - Serial I/O 16-output Interface panel

The Avigilon™ Access Control Manager (ACM)™ system supports open field hardware from Mercury Security allowing organizations to leverage investments in non-proprietary field hardware, with retrofit programs available for industry standard multi-device interface panels, power and communication controller boards, and intelligent controllers.



The Mercury Security AC-MER-CONT-MR16OUT Series 3 from Avigilon is an enhanced, high performance, reliable interface panel that offers the ability to control high concentrations of

outputs with the Access Control Manager system. It offers an improved processor and increased memory with an embedded crypto memory chip for encryption support – enabling organizations to stay ahead of internal and external threats to achieve data security.

Each AC-MER-CONT-MR16OUT is capable of supporting 16 general-purpose outputs as Form C relay contacts. Each output is configurable for fail-safe or fail secure operation, supporting “On”, “Off”, and “Pulse” commands through the AC-MER-CONT-1DR, AC-MER-CONT-2DR or the AC-MER-CONT-64DR intelligent controllers. The result is the flexibility, versatility and reliability required for demanding access control solutions.

The Access Control Manager system and Mercury Security Series 3 open field hardware provides the ultimate platform to complete the Avigilon physical access control security solution.

Open Architecture: High performance, reliable platform enables use of hardware with the Access Control Manager system

Easy Expansion: Adds functionality and flexibility to existing access control systems

Enhanced Security: Embedded crypto memory chip provides a secure layer of encryption to protect sensitive data

Versatile Interoperability: Same reliable interface and identical footprint as Series 2 Mercury IO modules enabling seamless upgrades for existing deployments

KEY FEATURES

Compact footprint and RS-485 connectivity
12 or 24 V DC input power support
Supports being clustered or distributed to best suit the installation environment
Output relays support assignment to door related functions or for general purpose use
Initiates commands by operator, by time schedules, or by events
Output relays are configurable for fail-safe or fail secure operation
Capable of controlling outboard devices, by the condition of selected system devices locally without ACM intervention



APPLICATION NOTES

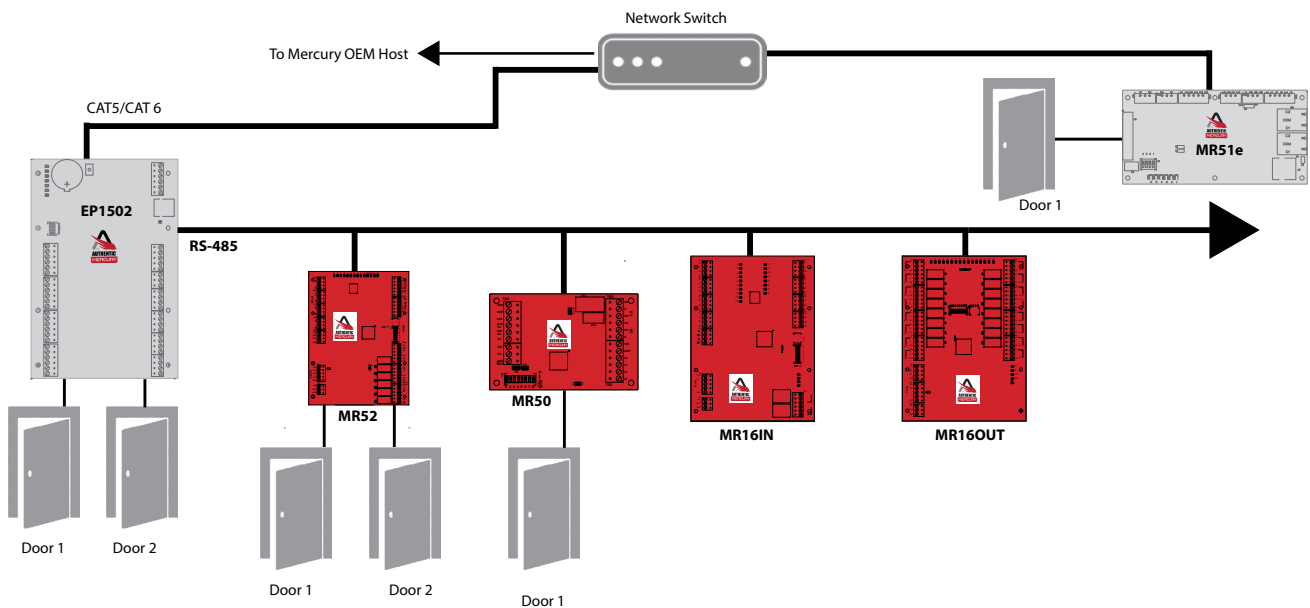
The AC-MER-CONT-MR16OUT is an essential component to support Mercury’s flexible, building-block approach to access control system design. The versatile AC-MER-CONT-MR16OUT offers unmatched power to broaden the range of devices and building controls (such as lighting or HVAC) that can be included in system design.

Relay operation can be initiated by direct operator commands, by time schedules, or by event-based procedures. The relays support “On,” “Off,” and “Pulse” commands. A pulse can range from 0.1 seconds to over 9 hours.

Specifications

TECHNICAL SPECIFICATIONS	Primary Power	12-24 Vdc +/- 10%, 1100mA maximum
	Host Communication	RS-485, 2-wire, 4,000' (twisted pair with shield, Belden 9841)
	Inputs	2 Dedicated: Tamper and Power Monitor
	Output Relays	Sixteen Form-C Relays: Normally open contact (NO): 5A @ 30 Vdc resistive Normally closed contact (NC): 3A @ 30 Vdc resistive
	Dimensions	6.0' W x 8.0' L x 1.0' H, (152mm W x 203mm L x 25mm H)
	Temperature	0-70 °C operational, -55-85 °C storage
	Humidity	5 to 95% RHNC
	Standards	UL 294 recognized, CE compliant, RoHS, FCC Part 15 Subpart B

ORDERING INFORMATION	AC-MER-CONT-MR16OUT	16 Relay Output Control Module (Mercury MR16OUT-S3)
----------------------	---------------------	---

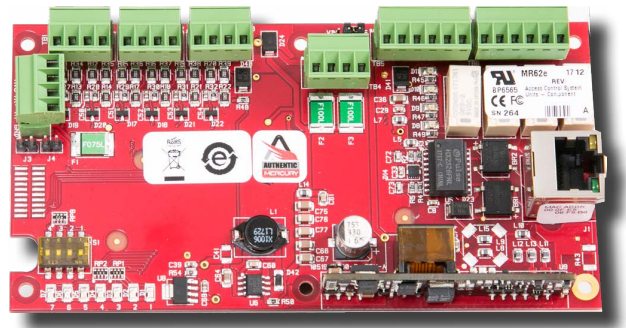


Series 3 - AC-MER-RIM-MR62E IP-enabled Serial I/O Interface Module

The Avigilon Access Control Manager (ACM) system supports open field hardware from Mercury Security allowing organizations to leverage investments in non-proprietary field hardware, with retrofit programs available for industry standard multi-device interface panels, power and communication controller boards, and intelligent controllers. The new Authentic Mercury MR Series 3 Serial Input/ Output modules enable system expansion of Authentic Mercury intelligent controllers as part of Mercury's distributed architecture. The enhanced modules offer an improved processor and increased memory, plus feature an embedded crypto memory chip that provides a secured layer of encryption to onboard sensitive data.

The AC-MER-RIM-MR62E Series 3 is an IP-enabled interface module with on-board flexibility to connect a wide range of security devices. The AC-MER-RIM-MR62E is easy to install and provides the required I/O for interfacing four card readers using OSDP protocol, six general-purpose input monitor points and four control relays to any Authentic Mercury series intelligent controller.

The AC-MER-RIM-MR62E's provides increased power output using PoE+ and provides one reader port supporting OSDP Secure Channel readers, including non-keypad, keypad and biometric readers.



KEY FEATURES

OSDP Protocol: Supports OSDP and Secure Channel communications
Enhanced Security: Embedded crypto memory chip provides secured layer of encryption to protect sensitive data
Edge-capable input/output module supporting PoE+ power
Provides up to 1.5 A of power at door for reader, lock and more
IPv4/6
Intelligent controller to AC-MER-RIM-MR62E communications protected by TLS 1.2/1.1 or AES-256/128
Generate and load custom peer certificates for TLS
FIPS 140-2 user of OpenSSL
Port based network access control using 802.1X
Zerconf Device Discovery (mDNS)
Supports OSDP Readers Only, multiple card formats, paired and alternate readers, elevator, turnstile and biometric devices
Anti-passback support (area, reader and time based)

Specifications

TECHNICAL SPECIFICATIONS	Door Control	Natively supports up to 4 OSDP. Does not support Wiegand readers. AC-MER-RIM-MR62E, when linked to an Authentic Mercury Intelligent Controller, controls up to 2 openings
Card Formats	Eight active card formats per intelligent controller. Entire card number reported on invalid read 19 digit (64-bit) User ID and 15 digit PIN numbers maximum PIV, CAC, TWIC card compatible	
Power Input	PoE (12.95 W), compliant to IEEE 802.3af or PoE+ (25 W), compliant to IEEE 802.3at or 12 Vdc \pm 10 %, 1.7 A maximum	
Power Output	PoE: Locks and Reader, combined: 12 Vdc @ .66 A MAX, PoE+ or 12 Vdc: Lock 12 Vdc @ 1 A MAX, Readers 12 Vdc @ .5 A MAX	
Output	Four relays, Form-C contacts rated at 2 A @ 30 Vdc	
Inputs	Six unsupervised/supervised, End of Line resistors, 1k/1k ohm, 1%, ¼ watt standard	

READER INTERFACE	Power	12 Vdc @ .5 A MAX
Communication	2-Wire RS-485, OSDP protocol, four devices maximum	

CABLE REQUIREMENTS	Ethernet	CAT-5, minimum
External Input Power	1 twisted pair, 18 AWG (if required)	
Alarm Inputs	1 twisted pair per input, 30 ohm maximum	
Relay Outputs	As required for the load	
Reader Data RS-485 Power	2 twisted pair with shield, 24 AWG, 120 ohm impedance, 4000 foot (1220 m) MAX or RS-485: 1 twisted pair with shield, 24 AWG, 120 ohm impedance, 4000 foot (1220 m) MAX Power: 1 pair 18 AWG*	

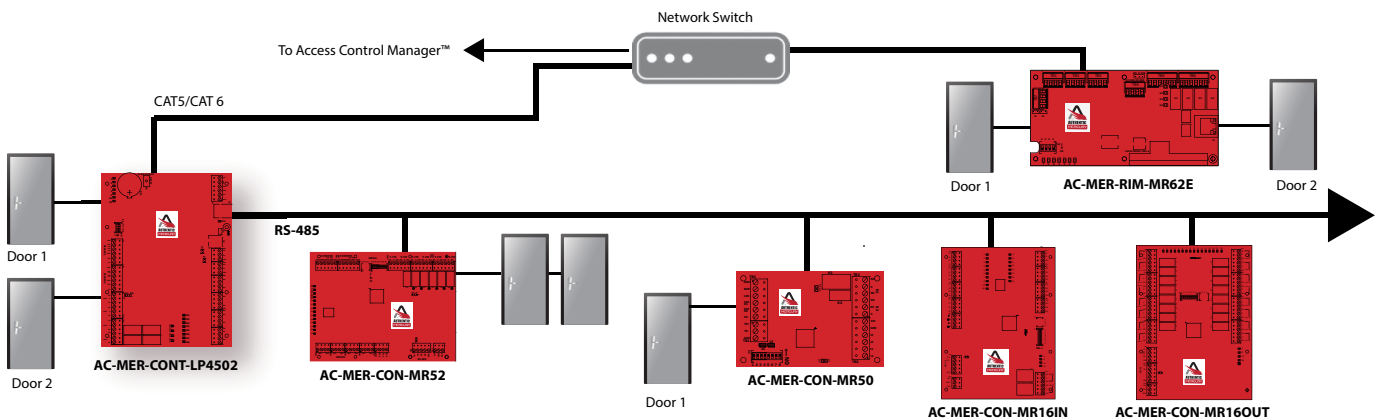
* Type of cable(s) and gauge determined by length and voltage/ current requirements. Local power source may be required

ENVIRONMENTAL	Temperature	-55 to 85 °C storage, 0 to 70 °C, operating
Humidity	5 to 95% RHNC	

MECHANICAL	Dimensions	5.5 in. (140 mm) W x 2.75 in. (70 mm) L x 0.96 in. (24 mm) H without bracket 5.5 in. (140 mm) W x 3.63 in. (92 mm) L x 1.33 in. (34 mm) H with bracket
Weight	4 oz. (112 g) without bracket 5 oz. (142 g) with bracket	

COMPLIANCE	Product Compliance	UL294 Recognized*, FCC Part 15 Class A, CE Compliant, RoHS, NIST Certified Encryption
------------	--------------------	---

* For UL, the Power Sourcing Equipment (PSE) such as a PoE or PoE+ enabled network switch and/or PoE or PoE+ power injectors must be UL Listed under UL294B.



ORDERING INFORMATION	AC-MER-RIM-MR62E	Series 3 - AC-MER-RIM-MR62E - IP-enabled Serial I/O Interface Module
----------------------	------------------	--



DESCRIPTION

The FLEXPOWER FP0150/150-2C82D8E4 is a dual voltage, offline switch-mode power supply-battery charger system specifically designed for the access control segment of the lifesafety industry.

The unit is configured in a painted, steel, locking enclosure with tamper switch and integral battery space, and provides two power supplies, each of which can be set to 12 or 24V.

Sixteen auxiliary outputs are provided for readers, REX devices, or other similar units with each output selectable for either power supply.

Sixteen access controlled trigger inputs control sixteen relay based lock outputs, with each output selectable for either power supply, and programmable for fire alarm disconnect, failsafe, failsecure, or dry contact operation. Complete fault detection and reporting, with programmable fault delays, is provided along with datalogging capability of fault occurrence, battery usage time and power supply status.

BENEFITS

➤ Agency Listed for Access Control, Fire, Security, CCTV, and Mass Notification

➤ **FlexPower®** Feature Set

- ◆ **SureCharge** Microprocessor controlled battery charging
- ◆ **PowerCom** Power supply programming / monitoring software
- ◆ **VSelect** Installer selectable output voltage
- ◆ **TruWatt** Delivers twice the current at 12V than at 24V
- ◆ **PwrHealth** Intelligent battery charging and battery state monitoring
- ◆ **FlexConnect** Dual voltage bus / pre-wired accessory board interconnects
- ◆ **Reliability+** Full fault protection / high efficiency / fiberglass pcb
- ◆ **GreenSmart** RoHS compliant, lead free, energy efficient design
- ◆ **DataLink** Network communication interface option

➤ **System Features**

- ◆ Fully modular power management system
- ◆ Multiple outputs for system power, direct lock control and accessory power distribution modules
- ◆ Each distributed output is selectable for either continuous or switched DC in single voltage systems, or 12/24VDC in dual voltage systems
- ◆ Fire alarm interface for egress lock control (FAI)
- ◆ Configurable fail-safe / fail-secure modes of operation
- ◆ Comprehensive fault detection and reporting including optional earth ground and battery presence
- ◆ AC and System fault output relays can be delayed via PowerCom
- ◆ Microprocessor dual rate charging restores battery sets from 4 to 80Ah

➤ **Power Management & Reporting (U.S. Patent 8,566,651)**

- ◆ PowerCom® s/w monitors, programs, and reports on power supply core functions through a computer USB or network connection
- ◆ NetLink module option connects power system to a LAN/WAN network for remote programming and live diagnostics. NetLink monitors and reports power status, tests battery state and alerts via email/SNMP on system faults, AC loss, low battery or pre-scheduled service due

➤ **Lifetime Warranty**

AGENCY LISTINGS

USA	CANADA
UL 294	ULC S318
UL 603	ULC S319
UL 864	ULC S527
UL 1076	CSA C22.2 #107.1
FCC Part 15, Subpart B	CSA 22.2 #60950
CSFM Approved	

ELECTRICAL RATINGS

Parameter	Rating		Unit
	FP0150	FP0150	
Input Voltage	120 / 230	120 / 230	VAC
Input Power (max)	170	170	Watts
Output Voltage	12 or 24	12 or 24	VDC
Output Current	12 or 6	12 or 6	Amps
Battery Charge Capacity	80	80	Ah
Efficiency	88	88	%
Output Ripple	120	120	mVp-p
Line Regulation	0.1	0.1	±%
Load Regulation	2	2	±%
BTU Rating	132		BTU/Hr
Continuous Power Outputs	16		
Switched Power Outputs	16		
Fire Alarm Interface	Yes		

FLEXPOWER® STANDARD FEATURES

SureCharge The microprocessor controlled charging process used by the FlexPower power supply guarantees both proper charging current for the battery and fastest charge time. The constant current charger provides a linear, predictable charge time for any lead acid, gel battery set from 4 to 80 amphotours (based on charger rating) without stress or damage to the battery.

PowerCom/PowerCom-USB LifeSafety Power's proprietary software interface for communication with FlexPower equipment through a DATALINK or USB connection. PowerCom is used for power supply monitoring, programming, and reporting.

The NL1 DATALINK network module enhances PowerCom's capability with remote diagnostics, battery management, trouble / service email alerts via LAN/WAN, and remote on/off reset control.

The DL1 USB cable and a computer laptop USB connection, enables PowerCom-USB to be used by service personnel for onsite power supply programming and system diagnostic evaluation.

VSelect One single switch for configuring the output between 12 and 24VDC eliminates field errors and allows for the reduction and simplification of service inventory by eliminating the necessity of stocking units in each voltage.

TruWatt Output power capability of the power supply remains constant regardless of the output voltage setting. For example, a FlexPower 250 watt supply will provide 10 amps at 24VDC and 20 amps at 12VDC, allowing the same number of locking devices to be used at either the 12 or 24V setting.

FlexConnect The FlexPower series provides a prewired interconnection system between the power supply and accessory boards of the power system that introduces the concept of a dual voltage bus structure throughout all system modules and eliminates intermodule wiring by the field installer.

Field upgrading or expansion is as simple as using common mounting footprints, predrilled mounting holes, snap-in standoffs, and pluggable wires to add additional system capability or capacity when needed, all without restrictive agency listing issues.

Reliability+ All power supplies within the FlexPower system are fully fault protected and feature fiberglass printed circuit boards rather than paper-based to protect the electronics from water and other corrosive elements found in industrial settings. High efficiency power supply design promotes low heat generation leading to a longer service life.

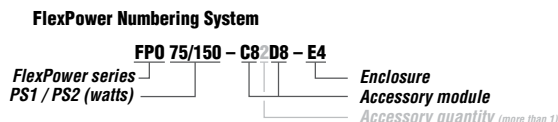
GreenSmart All members of the FlexPower family are RoHs compliant, lead-free, and meet the latest state, federal and European requirements for energy efficiency.

DataLink - Smart Power Management Communication Interface

Monitor, program, control, and report key power supply functions by computer or local/wide area network using a browser interface or LifeSafety Power's PowerCom® remote management software.

Power supply network connection requires the optional NL1 network module. Power supply computer connection requires the optional DL1 USB cable.

Model No.	Type	Mechanical Info
FPO150/150-2C82D8E4	Fused	Size: 20" x 24" x 4.5"
FPO150/150-2C8P2D8PE4	Power Limited	Weight: 18 lb.



Worldwide Headquarters

LifeSafety Power, Inc.
 304 Terrace Drive
 Mundelein, IL 60060 USA
 PH 888-577-2898
 info@lifesafetypower.com

FAULT DETECTION AND REPORTING

The comprehensive fault detection and reporting mechanism of the FPO series provides for both local and remote fault reporting.

On-board visual indicators are provided to give immediate installer feedback. Independent form C relay contacts are provided to report AC and system fault conditions to remote or auxiliary equipment. A door tamper switch is included.

Detected Fault Conditions:

- **AC Power**
 - ◆ AC loss, AC low
- **DC Power and System**
 - ◆ Abnormal or loss of power supply operation
 - ◆ Over current, over temperature condition
 - ◆ DC output high, low
 - ◆ Battery Presence, Earth Ground (user optional)
 - ◆ Reversed battery condition, blown fuse or loss of output voltage on selected accessory boards (detected on the power supply)

FIRE ALARM INTERFACE (FAI)

- **Activation Methods**
 - ◆ DC voltage: 9 to 33VDC, 3 to 15mA
 - ◆ Dry contact NO/NC
- **Latch Enable: NC contact set or switch (typically for Canadian use)**

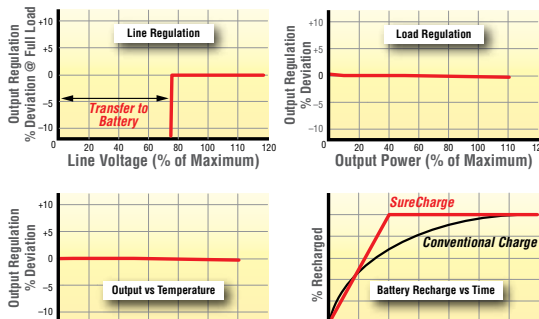
LOCK CONTROL MODULE (C8, C8P)

- **Eight access control trip inputs**
 - ◆ Capable of activation by voltage or NO/NC dry contact
- **Eight individually protected lock control outputs**
 - ◆ Supervised for blown fuse or loss of output voltage
 - ◆ Individually programmable at either voltage for: fail-safe, fail-secure, NO/NC, dry contact, and fire alarm interface for control of egress locks
 - ◆ **C8** 3A fused per output
 - ◆ **C8P** 2.5A class 2, power limited per output
- **DC Presence: Green LED per output**
- **Removable terminals: accepts #14 to #24 AWG**

POWER DISTRIBUTION MODULE (D8, D8P)

- **Eight power distribution outputs Individually programmable to a continuous output drawn from either buss 1 or buss 2, typically used to program an output for either 12 or 24VDC**
 - ◆ **D8** 3A fused per output
 - ◆ **D8P** 2.5A class 2, power limited per output
- **DC Presence: Green LED per output**
- **Removable terminals: accepts #14 to #24 AWG**

PERFORMANCE GRAPHS



Important: All information, including illustrations, is believed to be reliable. Users, however, should independently evaluate the suitability of each product for their particular application. LifeSafety Power makes no warranties as to the accuracy or completeness of the information, and disclaims any liability regarding its use. LifeSafety Power's only obligations are those in the LifeSafety Power Standard Terms and Conditions of Sale for this product, and in no case will LifeSafety Power or its distributors be liable for any incidental, indirect, or consequential damages arising from the sale, resale, use, or misuse of the product. Specifications are subject to change without notice. In addition, LifeSafety Power reserves the right to make changes—without notification to Buyer—to processing or materials that do not affect compliance with any applicable specification.

TM250

Compact Enclosure for Altronix Power and Mercury/LeneIS2 Boards



Description

Altronix TM250 accommodates various combinations of Mercury EP1501 or MR51e boards with or without Altronix power supply for access systems. It features ample knockouts that are suitable for 0.75" and 1" conduit.

Features

- Accommodates the following Mercury/LeneIS2 controllers:
 - Up to two (2) EP1501 or MR51e.
- Accommodates one (1) Altronix eFlow or Tango power supply/charger.

Agency Listings

CE European Conformity

Features

- Simplifies board layout and wire management.
- Convenient knockout configuration:
 - Twelve (12) double knockouts (accommodate 0.75" and 1" conduit).
- Accommodates one (1) 12VDC/4AH battery.
- 16 AWG powder coated steel.
- Includes cam lock, tamper switch and mounting hardware.

Dimensions (H x W x D):

11.0" x 10.25" x 3.5" (279.4mm x 260.4mm x 88.9mm).

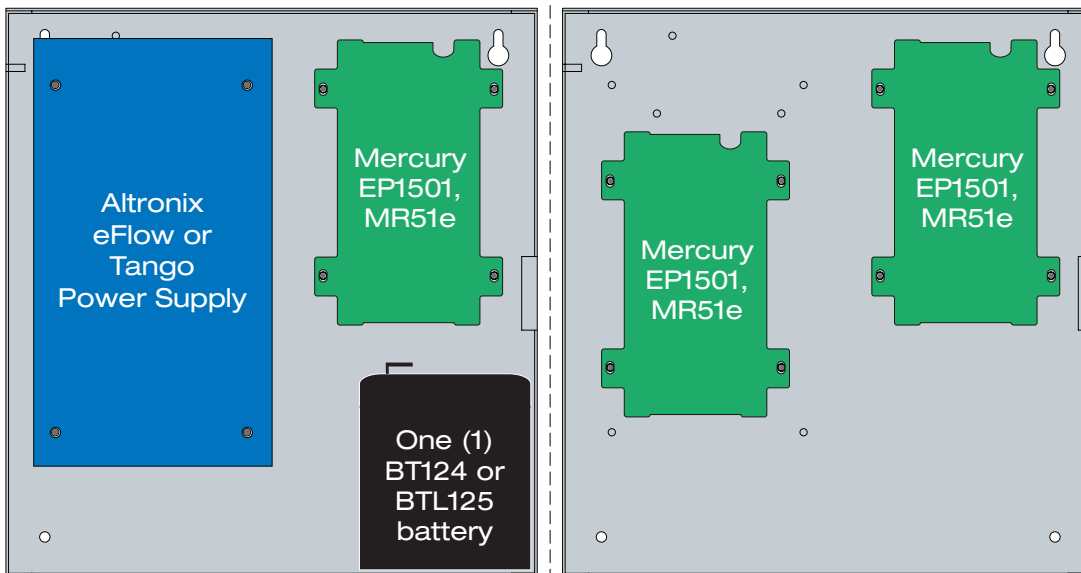
Weights:

Product - 5.1 lb. (2.31 kg).
Shipping - 6.4 lb. (2.9 kg).



TM250

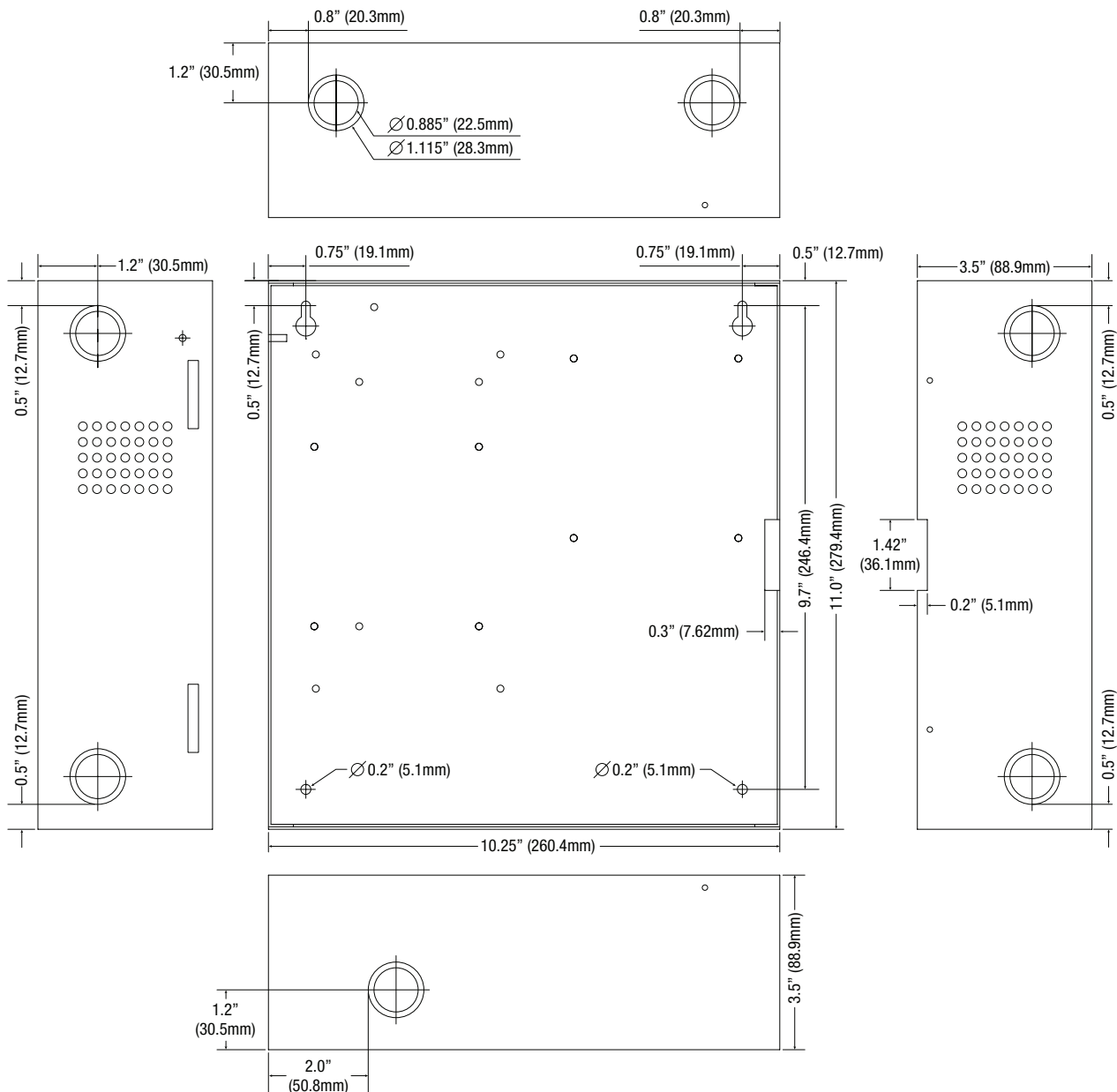
* Boards not included



Dimensions and Drawing

Dimensions (H x W x D approximate)

11.0" x 10.25" x 3.5" (279.4mm x 260.4mm x 88.9mm)



SD-80

RECESSED CONTACTS

1"(25mm) Steel Door Recessed Type



Contact Size: 1"×.84"(25mm×21.3mm)

Standard Magnet Size: 1"×.84"(25mm×21.3mm)

Standard Gap: 1.1"(28mm)



Colors: White, Brown

12"(305mm) 22 AWG Leads Standard



Longer leads available.

Specifications

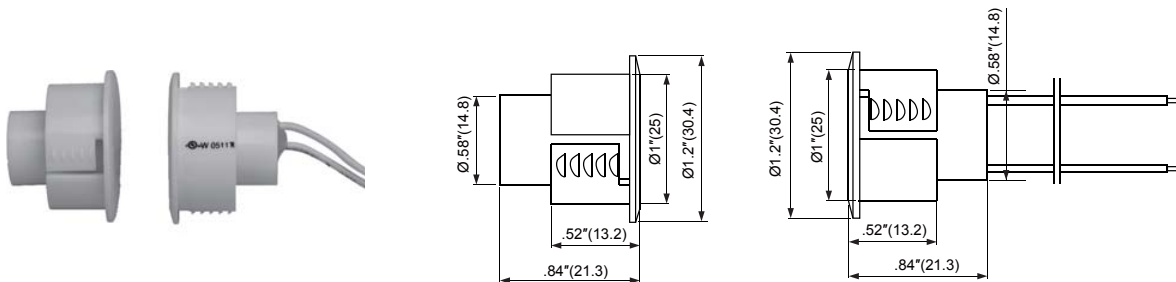
Part Number	Gap Inch(mm)	Loop Open/Closed	Reed Form	Max. Contact Rating (W)	Max. Initial Contact Resistance (mΩ)	Max. Switching Voltage (V)	Max. Switching Current (A)
SD-80	1.1"(28)	CLOSED	Normally Open	10	100	AC110/DC100	0.5
SD-81B	1.1"(28)	OPEN	Normally Closed	3	100	AC30/DC30	0.2
SD-80 WG	1.26"(32)	CLOSED	Normally Open	10	100	AC110/DC100	0.5
SD-82C	1.1"(28)	SPDT	SPDT	3	100	AC30/DC30	0.2
SD-84C	.75"(19)	DPDT	DPDT	3	100	AC30/DC30	0.2

OPERATING TEMPERATURE:-40°C to +60°C

Outline Dimensions

Unit: inch(mm)

SD-80/SD-81B



The Best Guarantee Since 1984 : \$50-1

TANE ALARM PRODUCTS

906 JERICHO TURNPIKE, NEW HYDE PARK, NY 11040

Tel: 800-852-5050 • 516-328-3351 • Fax: 516-326-9125

www.tanealarm.com • E-MAIL: info@tanealarm.com

15

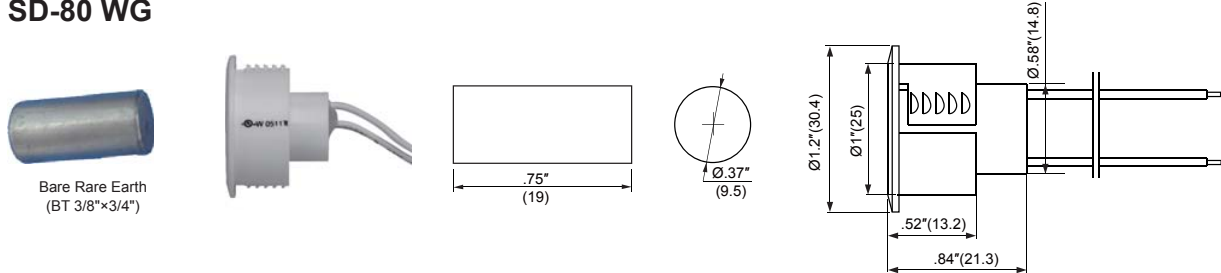
SD-80

RECESSED CONTACTS

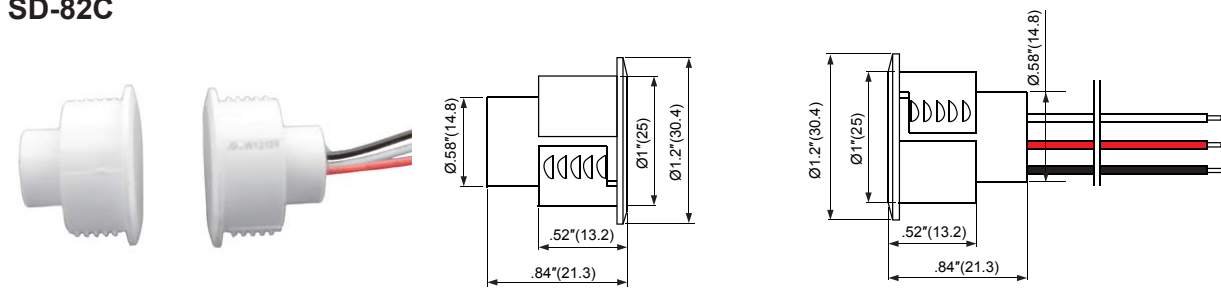
Outline Dimensions

Unit: inch(mm)

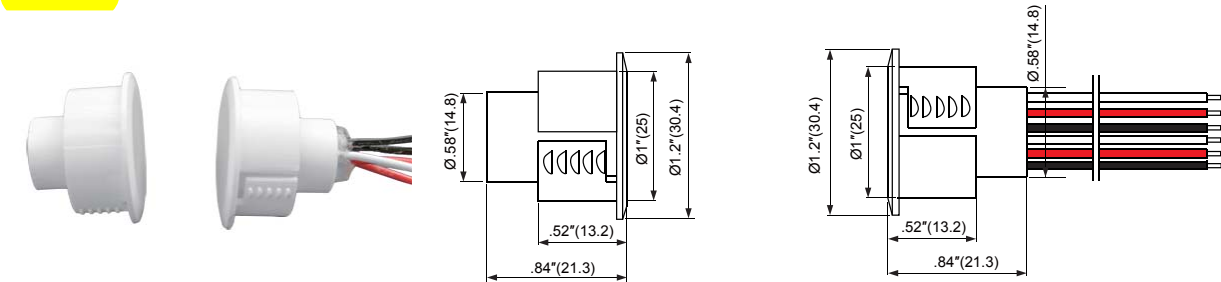
SD-80 WG



SD-82C

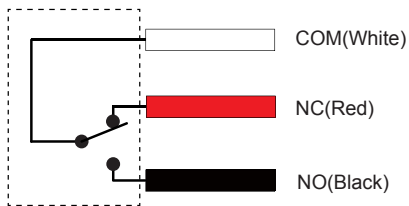


SD-84C

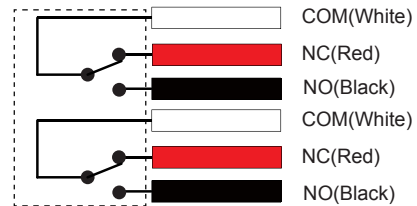


Wiring Diagram

SD-82C



SD-84C



The Best Guarantee Since 1984 : \$50-1

TANE ALARM PRODUCTS

906 JERICHO TURNPIKE, NEW HYDE PARK, NY 11040

Tel: 800-852-5050 • 516-328-3351 • Fax: 516-326-9125

www.tanealarm.com • E-MAIL: info@tanealarm.com

SPEC SHEET



HIGH IMPACT MAGNETIC CONTACTS

0E-STLDRMAG
DOOR CHANNEL MAGNET



High Impact means , no loss of performance due to adverse stress caused by building movement, sudden impacts, or temperature change.

SPECIFICATIONS

Diameter 3/4"

Metal Door Mount

Rare Earth Magnet

PART #: 0E-STLDRMAG

UPC: 811914026259

Simple Installation

Product Certification:



FOR MORE INFORMATION,
CONTACT YOUR SALES PERSON.

wboxtech.com



HID® Signo™ Readers
Models: 20, 40, 20K, 40K

READY FOR THE FUTURE NOW

- Mobile-ready by default, including Apple’s Enhanced Contactless Polling (ECP) to support credentials in Apple Wallet
- Sleek, innovative design to suit modern architecture
- Integrated OSDP for secure authentication and configuration post installation
- Built on a hardware platform designed to be adaptable to support future technology
- Designed to seamlessly integrate into the HID Origo® ecosystem

THE SIGNATURE LINE OF READERS FROM HID GLOBAL

- **Highly Versatile** — Support for the widest range of credential technologies, including HID Mobile Access® via native Bluetooth and Near Field Communication (NFC).
- **Unparalleled Performance** — Ultra secure storage of cryptographic keys on certified secure element hardware, plus a new surface detection feature that enables the reader to automatically recalibrate and optimize read range performance.
- **Connected to the Future** — All readers include out-of-the-box support for Open Supervised Device Protocol (OSDP) for secure bidirectional communication.

HID Signo™ is the signature line of physical access control readers from HID Global. The versatility, performance and connected capabilities of HID Signo readers set a new industry benchmark for the most highly adaptable, interoperable and secure approach to electronic access control.

Offering an unparalleled breadth of functionality, HID Signo affords security system installers and administrators a simple and effective approach to secure access control for almost any scenario.

With support for the widest array of credential technologies — past, present and future — HID Signo is the perfect choice for those looking to make the transition to a secure authentication technology.

HID Signo readers transcend the traditional approach to security by being designed to be connected and managed remotely without needing to physically touch each device. This functionality empowers access control systems to dynamically respond as new needs, configurations or threats arise.

POWERFULLY SECURE

- Multi-Layered security to ensure data authenticity and privacy
- EAL5+ Certified Secure Element Hardware
- Native OSDP secure channel capability
- Trusted secure authentication using the SIO data model
- Supports iCLASS Elite™ and Corporate 1000 Programs

MEET EVERY NEED, ADAPT TO ANY SITUATION

- Go mobile with native Bluetooth and NFC support
- Integrated 125 kHz credential read support for easy migration
- Supports over 15 common credential technologies
- Flush mount terminal block and pigtail wiring options
- Robust outdoor performance with an IP65 rating

MANAGE, UPGRADE AND CONFIGURE

- Easily and securely managed using HID Reader Manager®
- Configure via a mobile device or OSDP
- Update firmware in response to threats
- Personalize by configuring audio visual or keypad settings
- Deactivate legacy credential technology to conclude secure migration



SPECIFICATIONS

HID Signo Reader Model	20	20K	40	40K
2.4 GHz (Bluetooth) Credential Compatibility	Mobile Credentials powered by Seos® (HID Mobile Access)			
13.56 MHz (NFC) Credential Compatibility	Seos, iCLASS SE®, iCLASS SR®, iCLASS®, MIFARE Classic, MIFARE DESFire EV1/EV2, Mobile Credentials powered by Seos (HID Mobile Access)			
125 kHz Credential Compatibility	HID Proximity®, Indala® Proximity, AWID Proximity, and EM Proximity			
Typical Read Range¹	Seos®, MIFARE Classic, MIFARE DESFire EV1/EV2 & ISO14443A Single Technology Cards - 1.6 to 4 in (4 to 10 cm) HID / AWID Proximity®, Indala Proximity®, EM Proximity & 125 kHz Single Technology Cards - 2.4 to 4 in (6 to 10 cm)			
Mounting	Suited for mullion-mount door installations or any flat surface mounting		Suited to mount and cover single gang switch boxes with a slotted mounting plate for alternate back-box spacing	
Color	Black bezel with silver trim baseplate ²			
Keypad	No	Yes (2 x 6 layout)	No	Yes (3 x 4 layout)
Dimensions (width x length x depth)	1.77 in x 4.78 in x 0.77 in (45 mm x 121.5 mm x 19.5 mm)	1.78 in x 4.79 in x 0.85 in (45 mm x 121.5 mm x 21.5 mm)	3.15 in x 4.78 in x 0.77 in (80 mm x 121.5 mm x 19.5 mm)	3.16 in x 4.79 in x 0.85 in (80 mm x 121.5 mm x 21.5 mm)
Product Weight	Pigtail: 3.35 oz (95 g) Terminal: 2.65 oz (75 g)	Pigtail: 3.88 oz (110 g) Terminal: 3.17 oz (90 g)	Pigtail: 4.94 oz (140 g) Terminal: 4.23 oz (120 g)	Pigtail: 5.64 oz (160 g) Terminal: 4.94 oz (140 g)
Operating Voltage	12V DC			
Current Draw³	NSC ⁴ : 60 mA Peak: 250 mA Max. Avg: 70 mA IPM ⁵ : 45 mA	NSC ⁴ : 65 mA Peak: 250 mA Max. Avg: 75 mA IPM ⁵ : 48 mA	NSC ⁴ : 65 mA Peak: 250 mA Max. Avg: 75 mA IPM ⁵ : 45 mA	NSC ⁴ : 70 mA Peak: 250 mA Max. Avg: 80 mA IPM ⁵ : 55 mA
Device Input and Output	Input: Tri-color LED, Buzzer, Hold @ Active Low Output: Tamper Relay 0-60V DC @ 100mA Max (Dry Contact)			
Operating Temperature & Humidity	-31° F to +150° F (-35° C to +66° C) 0% to 95% non-condensing			
Storage Temperature	-40° F to +185° F (-40° C to +85° C)			
Environmental Rating	UL294 Outdoor and Indoor rated, IP65			
Transmit Frequency	125 kHz, 13.56 MHz, and 2.4 GHz			
Communications & Panel Connection	Wiegand and RS-485 Half Duplex (OSDP) via Pigtail (18 in / 0.5 m) or Terminal Strip			
Device Management	HID Reader Manager / OSDP configuration			
Certifications	UL294/cUL (US), FCC (US), IC (Canada), CE (EU), RCM (Australia, New Zealand), SRRC (China), KCC (Korea), NCC (Taiwan), iDA (Singapore), RoHS, MIC (Japan), GreenCircle, Bluetooth SIG, and additional regions. www.hidglobal.com/certifications			
Security Ratings	EAL 5+ Certified Secure Element Hardware			
Patents	www.hidglobal.com/patents			
Housing Materials	Polycarbonate - UL94 V0			
UL Reference Number	20	20K	40	40K
Warranty	Limited Lifetime			



hidglobal.com

North America: +1 512 776 9000
Toll Free: 1 800 237 7769
Europe, Middle East, Africa: +44 1440 714 850
Asia Pacific: +852 3160 9800
Latin America: +52 55 9171 1108

An ASSA ABLOY Group brand

¹ Read range listed is statistical mean rounded to nearest centimeter increment for ID-1 or clamshell credentials. HID Global testing occurs in open air. Form factor, technology and environmental conditions, including metallic mounting surface, can degrade read range performance; plastic spacers are recommended to improve performance on metallic mounting surfaces.

² Black trim baseplate & reader spacers available as an additional accessory at an additional cost.

³ Measured in accordance with UL294 standards; see Installation Guide for details.

⁴ NSC - Normal Standby Current; see Installation Guide for details.

⁵ Intelligent Power Management (IPM) - Reduces reader current consumption up to 43%, based on model, compared to standard operating mode.

© 2020 HID Global Corporation/ASSA ABLOY AB. All rights reserved. HID, HID Global, the HID Blue Brick logo, the Chain Design, HID Signo, iCLASS Elite, HID Reader Manger, Seos, iCLASS SE, iCLASS SR, iCLASS, HID Proximity, and Indala are trademarks or registered trademarks of HID Global or its licensor(s)/supplier(s) in the US and other countries and may not be used without permission. All other trademarks, service marks, and product or service names are trademarks or registered trademarks of their respective owners.
2020-05-20-pacs-signo-reader-family-ds-en PLT-04831



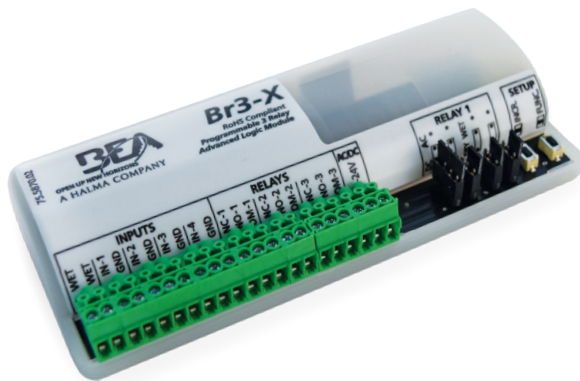
ASSA ABLOY

BR3-X

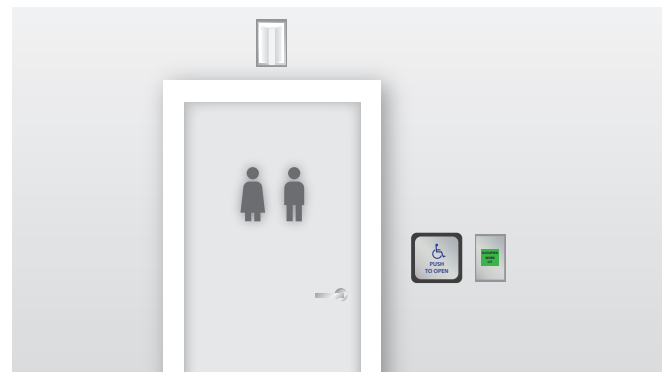
PROGRAMMABLE 3-RELAY LOGIC MODULE



PRIMARY APPLICATIONS



- 1 BR3-X Receives Input
- 2 BR3-X Relay 1 Releases Maglock
- 3 BR3-X Relay 2 Activates Door



DESCRIPTION

BEA's BR3-X provides both simple and advanced logic controls.

Functions include: timer, ratchet/latching, inhibitor, 2 relay sequencer + inhibitor, 2 relay sequencer + door position deactivation timer, 3 relay sequencer + "1-shot", 3 relay sequencer with "independent relay", interlock timer, interlock ratchet / latching, 2 way 2 relay sequence, normally locked restroom, normally unlocked restroom, 3 relay sequencer + "day / night mode".

Common uses for the Br3-X include automatic pedestrian doors, access control, industrial automation and single-occupancy restrooms.

FEATURES & BENEFITS

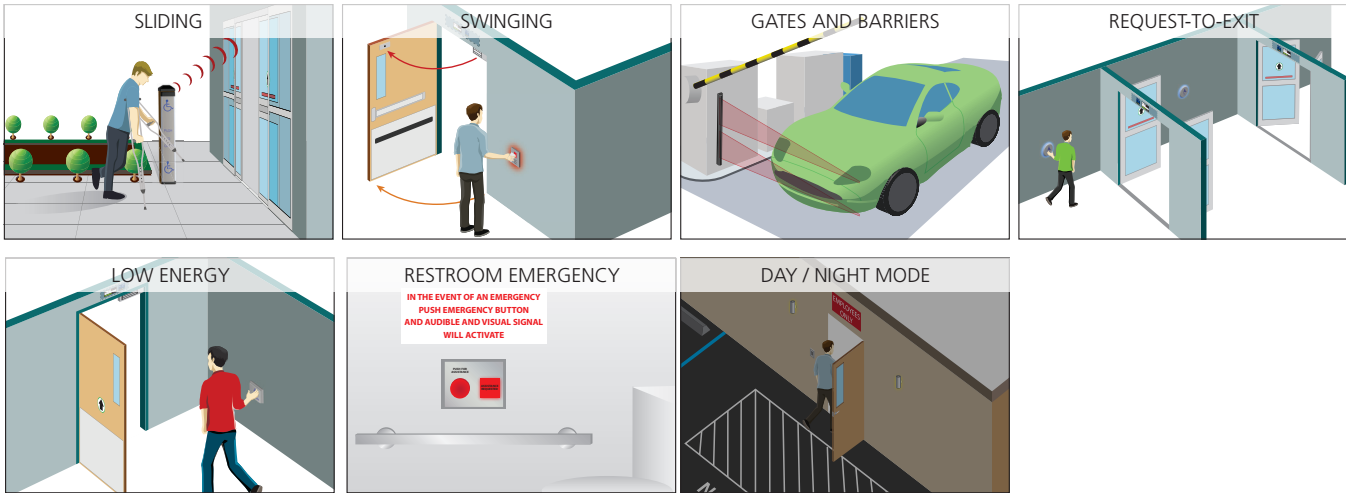
- Versatility with 13 programmable logic functions for the BR3-X
- Two-button programming combined with dual seven-segment display provides simple setup
- Two 3-AMP relays and one 1-AMP relay, all with built-in surge suppression, eliminates the need for external components when installing some electric locking devices
- WET output with AC / DC voltage for powering an electric locking device directly from the module



BEA, Inc.
RIDC Park West
100 Enterprise Drive
Pittsburgh, PA 15275-1213

Customer Service: 800.523.2462
Technical Support: 800.407.4545
www.BEAinc.com

APPLICATIONS



FUNCTION DETAILS

Br3-X FUNCTION	DESCRIPTION
10	Timer
11	Ratchet / Latching
22	2 Relay Sequence + Inhibitor
28	2 Relay Sequence + Door Position
29	Deactivation Timer
36	3-Relay Sequencer + '1-shot'
37	3-Relay Sequence with 'Independent Relay'
50	Interlock Timer
55	Interlock Ratchet / Latching
65	2-Way, 2 Relay Sequence
nL	Normally Locked Restroom
nU	Normally Unlocked Restroom
dn	3-Relay Sequencer + 'Day / Night mode'
00	Disable

TECHNICAL SPECIFICATIONS

Supply Voltage	12 – 24 VAC / VDC ±10%
Power Consumption	30 – 130 mA; DRY Output
Temperature Range	-15 °F – 150 °F* *If powered by AC voltage and using WET output to convert to DC voltage and current draw of device is greater than 0.9 A, the upper temperature range is 130 °F
Dimensions	5.2 in (W) × 1.0 in (H) × 2.2 in (D)
Relay Hold Time	Up to 60 seconds per relay
Delay Between Relays	Up to 60 seconds per relay with ¼, ½ and ¾ second options
Housing Material	ABS Plastic
Input Specification	Inputs 1, 2, 3, 4 WET Input
Contact Rating	DRY contact 5 – 24 VAC / VDC ±10%
Relay 1 (DRY)	3 A @ 24 VAC / 30 VDC
Relay 1 (WET)	1 A
Relay 2	3 A @ 24 VAC / 30 VDC
Relay 3	1 A @ 24 VAC / 30 VDC

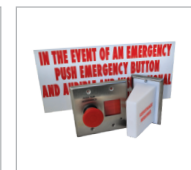
RELATED PRODUCTS



10BR3X
3-RELAY LOGIC
MODULE



10RESTROOMKIT
RESTROOM
KIT



10EMERGENCYKIT
EMERGENCY
ADD-ON KIT

www.BEAinc.com

© 2018 BEA, Inc. All rights reserved.

BR3-X PROGRAMMABLE 3-RELAY LOGIC MODULE

BEA, Inc.
RIDC Park West
100 Enterprise Drive
Pittsburgh, PA 15275-1213

Customer Service: 800.523.2462
Technical Support: 800.407.4545



79.0026.14

20180813

TS-18, TS-19, TS-20

Under Desk Door Release



The TS-18, TS-19, and TS-20 are push button controlled under desk/counter door releases for remote control of doors and access controls. Ideal for front desk and reception or hard to wire areas that require discreet control of locking devices.

Features

Standard Features

- **TS-18** with momentary action switch
- **TS-19** with one N/O and one N/C momentary action switch, can be used with either provided switch
- **TS-20** with alternate action switch ; can be used with either provided switch
- Black ABS plastic box with two mounting ears
- Surface mounted push button protected with 1" guard ring
 - Depressing push button operates switch contacts

Options

- **TS-18D** with DPDT switch
- **TS-20D** with DPDT switch

Specifications

Certifications & Listings

- UL 636 listed
- CSA certified components

Electrical

- SPDT contacts rated 10A at 35 VDC
- **TS-18, TS-20** Switch terminated with 12" leads

STI STOPPER® STATION SERIES



KEY FEATURES

General Information

- Multipurpose push button switches cover a wide range of applications both indoors and outdoors.
- Three year guarantee against breakage of polycarbonate in normal use (one year on electro mechanical and electronic components).

Design

- Unique, curved design helps protect against accidental activation.

Construction

- Station housing molded of tough polycarbonate.
- UL Listed to U.S. and Canadian safety standards.
- Models used with LT-1UL Latching Timer Module are Listed for access control.
- Stainless steel backplate.
- Push buttons are ADA Compliant (excludes "3" key switch button).

Installation

- 5VA flammability rating on backplate and spacer.
- Typical working properties of polycarbonate are -40° to 250°F (-40° to 121°C).
- Polycarbonate complies with FDA regulations for food contact applications.

Options

- Your choice of colors — red, green, yellow, white or blue.
- Standard or custom text or hi-res logo.
- Custom text in any language.
- Protect with STI indoor/outdoor protective covers.

PRODUCT OVERVIEW

These ADA Compliant, multipurpose push button switches cover a wide range of applications both indoors and outdoors. They're called Stopper Stations. They incorporate a unique, patented design that helps dramatically to stop accidental activation. A number of standard models are available or we can create custom units to meet your needs exactly. You have your choice of any of five universal shell colors, several button styles, standard or custom wording and language.

HOW THEY WORK

Because of their superior, patented design combined with quality construction throughout, you can expect outstanding performance for years to come. In fact, many STI customers are surprised to find that all this quality is available at no increase in price. Plus, customers appreciate the option to protect the switches with STI protective covers that carry a three year guarantee against breakage in normal use, one year on electro mechanical and electronic components. For indoor applications, you can order your Stopper Station with a pre-alarm cover to help stop malicious and accidental activation.

For more information, call 1-800-888-4784 (4STI) or visit www.sti-usa.com



**Safety Technology
International**

STI Stopper® Station Series

Dimensions and Technical Information

UNIQUE BUTTON FEATURES

Models SS2xy0, SS2xy1, SS2xy3, SS2xy4

- Interchangeable or replaceable N.O. or N.C., SPST gold-plated contact blocks rated for 6 amps @ 600 VAC or 1 amp @ 250 VDC.
- Standard switch includes one N.O. and one N.C. contact. Holds up to three sets of isolated contacts.
- SS2xy0 and SS2xy1 rated for 6000 operations.
- SS2xy4 rated for 100,000 operations.

Note: some standard single gang boxes need additional depth. To add 5/8" depth, order KIT-102722-color (B=blue, G=green, R=red, Y=yellow, W=white, E=orange).

Models SS2xy2, SS2xy5, SS2xy9

- Two (2) Form "C" contacts, DPDT, rated 10 amps @ 125/250 VAC, 1/2 HP, 6 amps @ 30 VDC.
- 12-24VAC/VDC LED (LED red, green, and white).
- Over 100,000 operations.

Model SS2xy6

- Two (2) Form "C" contacts, DPDT, rated 10 amps @ 125/250 VAC, 1/2 HP, 6 amps @ 30 VDC.
- 12-24VAC/VDC LED
- 100,000 operations.

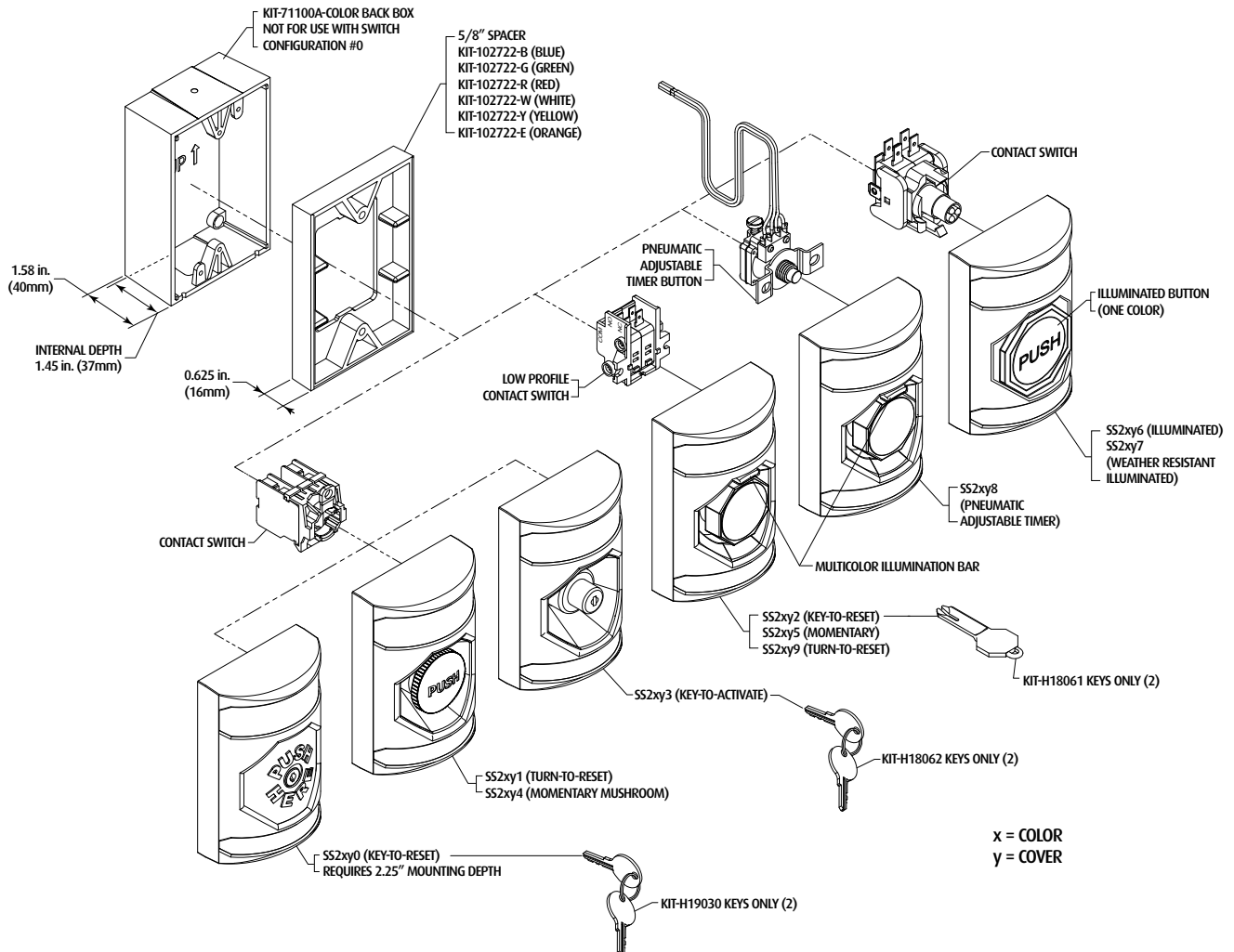
Model SS2xy7

- Two (2) Form "C" contacts, DPDT, rated 10 amps @ 125/250 VAC, 1/2 HP, 6 amps @ 30 VDC, -31°F to 150°F (-35°C to 66°C).
- 12-24VAC/VDC LED
- Weather resistant, suitable for indoor or outdoor use without a cover.
- 100,000 operations.

Model SS2xy8

- Switch rating 10 amps @ 240 VAC resistive and has a timer range: 2 - 60 seconds (± 15%).
- Indoor use only. Not recommended for outdoor/water applications, temperature range of button 15° to 120°F (-9° to +49°C).
- Timer life of over 1,000,000 operations.
- Pneumatic adjustable timer opens or closes a circuit and has a timed delay before reset. No electricity to operate.
- Ideal for security applications.
- 1 Form Z, 1 N.O. and 1 N.C. contact.

***Note:** x = color, y = cover, see page 4 for details.



STI Stopper® Station Series

Dimensions and Technical Information

APPROVALS & WARRANTY

TESTING

It has been tested and approved or listed by:

- UL/cUL File No. S7255
- Complies with UL 2017. UL Listed for indoor and outdoor use ("8" button indoor only, temperature range 15° to 120°F). When mounting outdoor, must use an STI weather cover.
- UL/cUL Type NM suitable for indoor or outdoor use without a cover (#7 button only)
- UL 294 (models used with LT-1UL)
- CSA C22.2 No. 205
- ADA Compliant (excludes "3" button)

WARRANTY

Three year guarantee against breakage of polycarbonate in normal use (one year on electro mechanical and electronic components).

Accessories

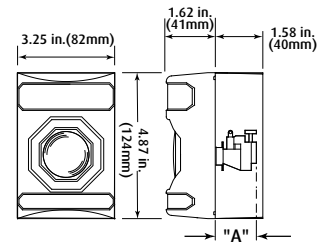
LT-1UL	UL Latching/Timer Module
KIT-71100A-*	Back box for 2, 5, 8 and 9 switch
KIT-71101A-*	Back box & Spacer Kit for 1, 3 or 4 switch
KIT-E10196	N.O. contact for 0, 1, 3 or 4 switch
KIT-M10197H	Replacement contact holder for 0, 1, 3 & 4 switch
KIT-E10198	N.C. contact for 0, 1, 3 or 4 switch
KIT-102722-*	Plastic Spacer - adds 5/8" depth
KIT-H19030	Two Extra Keys for 0 switch
KIT-H18061	Two Extra Keys for 2 switch
KIT-H18062	Two Extra Keys for 3 switch

* R=red, B=blue, G=green, Y=yellow, W=white, E=orange

"A" - Contact Depth

SS2xy0*	2.16"
SS2xy1	2.04"
SS2xy2	1.00"
SS2xy3*	2.13"
SS2xy4	2.04"
SS2xy5	1.00"
SS2xy6	.875"
SS2xy7	.875"
SS2xy8	1.4"
SS2xy9	1.00"

* If extra depth needed in electrical box order KIT-102722-color.



Covers to protect your STI Stopper Station from damage or weather and to help stop malicious or accidental activation.



Stopper® Station Shield
(Cover 2, A)

This inexpensive and highly durable cover, with or without alarm, was invented to mount directly onto the Stopper Station series of buttons with two tabs that snap into the Stopper Station shell. It takes hard knocks in stride while protecting the button against vandalism, damage and accidental activation. Ideal for use when space is limited.

No labeling can be placed on the Stopper Station shield.



Universal Stopper®
(Covers 3, 4, 7, 8)

This indoor/outdoor cover helps stop false fire alarms and can protect Stopper Stations against damage as well as malicious or accidental activation. It consists of a clear polycarbonate shield that fits easily over any STI Stopper Station model. When it is lifted to gain access to the Stopper Station, the optional piercing 105 dB warning horn sounds. Legitimate activation is not affected. The protective cover options include: dome or low profile, with or without horn, flush mount, surface mount.

Additional labeling may be placed on the Universal Stopper.

Note:

Stopper Station #7 button is UL/cUL Listed for outdoor use without a cover. All others are approved for outdoor use with an outdoor rated protective cover. Excludes pneumatic button.

STI Stopper® Station Series

Dimensions and Technical Information

SS2 4 2 5 LD-EN

COLOR

- 0. Red
- 1. Green
- 2. Yellow
- 3. White
- 4. Blue
- 5. Orange

COVER

Flush

- 3. Universal Stopper, label shell*
- 4. Universal Stopper, horn*

Surface

- 7. Universal Stopper, label shell*
- 8. Universal Stopper, horn*

Flush or Surface

- 2. Shield
- A. Shield with sound
- 0. No Cover

*Orange coming soon

SWITCH CONFIGURATION

- 2. Key-to-Reset (Illuminated Bar)
- 5. Momentary (Illuminated Bar)
- 9. Turn-to-Reset (Illuminated Bar)
- 8. Pneumatic (Illuminated Bar)
- 6. Momentary (Illuminated)
- 7. Weather Resistant Momentary (Illuminated)
- 0. Key-to-Reset*
- 1. Turn-to-Reset
- 3. Key-to-Activate
- 4. Momentary

LANGUAGE

- EN = English
- ES = Spanish
- FR = French
- ZL = Other Language

TEXT

- AB = ABORT
- EM = EMERGENCY
- EX = EMERGENCY EXIT
- PO = EMERGENCY POWER OFF
- ES = EMERGENCY STOP
- EV = EVACUATION
- XT = EXIT
- PS = FUEL PUMP SHUT DOWN
- HV = HVAC SHUT DOWN
- LD = LOCKDOWN
- PX = PUSH TO EXIT
- NT = No Text
- ZA = Custom Text

*Not available in orange

CUSTOMIZE YOUR TEXT - text option ZA.

CUSTOM TEXT FOR TOP OF SHELL:	2 LINES, 20 CHARACTERS EACH (INCLUDES SPACES)
CUSTOM TEXT FOR BOTTOM OF SHELL:	1 LINE, 20 CHARACTERS (INCLUDES SPACES)
CUSTOM TEXT COVER 3, 4, 7, 8:	2 LINES, 40 CHARACTERS EACH (INCLUDES SPACES)

White text on blue, red and green; black text on yellow, white and orange.

 <p>Safety Technology International</p>	<p>2306 Airport Road Waterford, Michigan 48327, USA</p>	<p>Tel: 248-673-9898 Fax: 248-673-1246 Toll-free: 800-888-4784 info@sti-usa.com www.sti-usa.com</p>	<p>Taylor House 34 Sherwood Road Bromsgrove, Worcestershire B60 3DR, England</p>	<p>Tel: +44 (0)1527 520 999 Fax: +44 (0)1527 501 999 info@sti-emea.com www.sti-emea.com</p>
---	---	---	--	---

2N® IP FORCE

TOUGHEST IP INTERCOM IN THE WORLD

2N® IP Force is an extremely durable IP intercom that can withstand even the most demanding conditions. It provides for visitor communication monitoring and access control. Take advantage of its superior features for maximum site security.



- **Built for extreme conditions**
- **Professional night vision**
- **Clear sound in noisy environments**
- **Durable access control solution**
- **Wide-angle HD camera**
- **Easy integration into CCTV and VMS**

VARIANTS



1 button



1 button,
keypad



4 buttons



2 buttons,
card reader ready



1 button, pictograms,
card reader ready

With HD camera 01337-001
Without camera 01336-001

01339-001
01338-001

01343-001
01342-001

01340-001
01341-001

01334-001
01335-001

TECHNICAL PARAMETERS

Signalling protocol

SIP (UDP, TCP, TLS)

Button

Button design Transparent, white backlit buttons with easily replaceable label
Count of buttons 1, 2 or 4
Numerical keypad Optional

Audio

Microphone 2 integrated microphones
Amplifier 10 W (class D)
Speaker 10 W
Volume control Adjustable with automatic adaptive mode
Full duplex Yes (AEC)

Audio stream

Protocols RTP/RTSP
Codecs G.711, G.722, G.729, L 16/16kHz

Camera HD

Sensor 1/3" colour CMOS
JPEG resolution 1280 (H) x 960 (V)
Video resolution 640 (H) x 480 (V)
Frame rate Up to 30 snapshots/s
Sensor sensitivity 5.6 V/lux-sec (550 nm) / 1.9 V/lux-sec (550 nm)
View angle 135° (H), 109° (V)
Infrared light Yes

Video stream

Protocols RTP/RTSP/HTTP
Codecs H.263, H.263+, H.264, MPEG-4, M-JPEG
IP camera function Yes, ONVIF v2.4 profile S compatible

Interface

Power supply 12 V / 2A DC or PoE
PoE PoE 802.3af (Class 0 - 12,95 W)
LAN 10/100BASE-TX with Auto-MDIX, RJ-45
Recommended cabling Cat-5e or higher
Passive switch NO/NC contacts, max. 30 V/1A AC/DC
Active switch output 9 up to 13 V DC depending on power supply, max. 700 mA

RFID card reader

Supported frequencies 125kHz and 13.56MHz
125 kHz EM4100, EM4102, HID Proximity
13.56 MHz ISO14443A, ISO14443B, ISO15693, NFC support
reads UID (CSN)
reads PACs ID (iCLASS SIO-enabled cards)
- only secured cards

Mechanical properties

Mechanical properties
Cover Robust aluminium casting
Operating temperature -40°F to 131 °F
Storage temperature -40 °F to 158 °F
Operating relative humidity 10 % - 95 % (non-condensing)
Dimensions 8.543 x 4.291 x 3.268 inch
9.528 x 5.354 x 3.268 inch incl. frame
Weight Netto max. 4.409 lb / brutto max. 5.511 lb
Covering level IP69K and IK10

SECURITY RELAY

The security relay is a simple accessory which we recommend using with each intercom and reader. It significantly improves the security of the installation at minimum additional cost. It prevents doors from being opened with a 12V battery - a technique which allows burglars to open low-power locks if they reach the cables connecting the intercom/reader to the lock.

ORDER NUMBER:
9159010



TECHNICAL SPECIFICATION

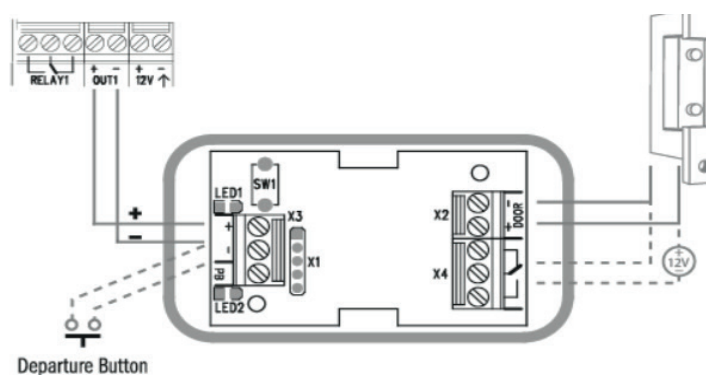
Passive switch: NO and NC contacts, up to 30 V / 1 A AC/DC

Switched output:

- Where the security relay is fed from the intercom, 9 to 13 V DC is available on the output depending on the power supply (PoE: 9 V; adapter: source voltage of minus 1 V) / 400 mA DC.
- Where the security relay is fed from an external power supply, 12 V / 700 mA DC is available on the output.

Dimensions: (56 x 31 x 24) mm

Weight: 20 g



Cisco IP Phone 8865



Would you like to increase your personal productivity with an engaging experience that is powerful and easy-to-use? The business-class Cisco® IP Phone 8865 combines high-fidelity voice and entry to HD video communications with Cisco Intelligent Proximity for telephony integration with your personal mobile devices.

The IP Phone 8865 combines an attractive new ergonomic design with 720p HD video and wideband audio for crystal-clear voice communications, “always-on” reliability. Encrypted voice communications for enhanced security. And access to a comprehensive suite of unified communications features.

In addition, with Cisco Intelligent Proximity you can use your desk and mobile phones together when you are at your desk. During mobile calls you can move the audio path over to the 8865 for better acoustics. You then could share a conversation with a colleague who listens in. This capability gives you greater flexibility and a superior user experience when at your desk.

The 8865 comes standard with two USB ports so you can charge your personal mobile devices when at your desk and stay connected when away from your desk.

The IP Phone 8865 offers five programmable line keys. You can configure keys to support either multiple directory numbers or calling features such as speed dial. You can also boost productivity by handling multiple calls for each directory number using the multicall-per-line feature. Fixed-function keys give you one-touch access to applications, messaging, directory, as well as often-used calling features such as hold/resume, transfer, and conference. A five-way navigation cluster helps you transition through menus more easily. Backlit acoustic keys provide flexibility for audio path selection and switching.

Other key features of the phone include:

- The phone offers a 5-in. high-resolution (800 x 480) widescreen VGA backlit color display. Localized language support, including right-to-left on-screen text, meets the needs of global users.
- The phone offers a built-in Gigabit Ethernet switch for both network connection and your PC connection.
- The phone also supports campuses with 802.11a/b/g/n/ac wireless LAN (WLAN) enabled.
- An optional wall-mount kit is orderable as a spare part for customers who want this capability.

Features and Benefits

Table 1 lists features and benefits of the Cisco IP Phone 8865.

Table 1. Features and Benefits

Features	Benefits
Hardware Features	
Ergonomic design	<ul style="list-style-type: none"> The phone offers an easy-to-use interface and provides a traditional telephony-like user experience
Graphical display	<ul style="list-style-type: none"> The 800 × 480, 24-bit color, 5-in. WVGA display provides scrollable access to calling features and text-based XML applications
Video	<ul style="list-style-type: none"> 720p HD video (encode and decode) H.264 and Cisco Application Visibility and Control (AVC)
Handset	<ul style="list-style-type: none"> The handset is a standard wideband-capable audio handset (connects through an RJ-9 port) The standard coiled cord has a custom end for concealed cable routing beneath the phone (cord length is approximately 21 in. [55 cm] coiled and up to 72 in. [183 cm] extended) The handset is hearing aid-compatible (HAC) and meets Federal Communications Commission (FCC) loudness requirements for the Americans with Disabilities Act (ADA). You can achieve Section 508 loudness requirements by using industry-standard inline handset amplifiers such as Walker Equipment W-10 or CE-100 amplifiers. The dial pad is also ADA-compliant
Speakerphone	<ul style="list-style-type: none"> The full-duplex speakerphone gives you flexibility in placing and receiving calls with hands free. For added security, the audible dual tone multifrequency (DTMF) tones are masked when the speakerphone mode is used.
Analog headset	<ul style="list-style-type: none"> The analog headset jack is a standard wideband-capable RJ-9 audio port
AUX port	<ul style="list-style-type: none"> You can use an auxiliary port to support electronic hookswitch control with a third-party headset connected to it
External audio ports	<ul style="list-style-type: none"> The phone has a 3.5-mm stereo line in/out jack (for optional external headset, speakers, or headphones)
USB	<ul style="list-style-type: none"> Two USB ports enhance the usability of call handling by enabling wired or wireless headsets, in addition to providing charging capability to mobile devices such as smartphones or tablets <ul style="list-style-type: none"> A side USB port provides up to 500mA power output at 5V or 2.5W A back USB (in yellow) port provides 500mA power output and is upgradable to support up to 2.1A power output at 5V or 10.5W
Ethernet switch	<ul style="list-style-type: none"> An internal 2-port Cisco Ethernet switch allows for a direct connection to a 10/100/1000BASE-T Ethernet network (IEEE 802.3i/802.3u/802.3ab) through an RJ-45 interface with single LAN connectivity for both the phone and a co-located PC The system administrator can designate separate VLANs (IEEE 802.1Q) for the PC and phone, providing improved security and reliability of voice and data traffic
Bluetooth	<ul style="list-style-type: none"> The phone offers Bluetooth 4.1 LE, Enhanced Data Rate (EDR) Class 1 technology (up to 66-ft [20m] range) Hands-Free Profile (HFP) is supported for untethered headset connections and voice communications Phone Book Access Profile (PBAP) is supported for phone book object exchange between devices
Wi-Fi client	<ul style="list-style-type: none"> As an alternative to wired Ethernet, the 8865 supports a Wi-Fi radio with integrated antenna enabling connectivity to a Wi-Fi access-point infrastructure, thereby saving on the labor costs of pulling Ethernet cables to every work location. Complete Wi-Fi specifications are included in Table 3 later in this document
Keys	<ul style="list-style-type: none"> The phone has the following keys: <ul style="list-style-type: none"> Line keys Soft keys Back and release keys Four-way navigation and select keys Hold/Resume, Transfer, and Conference keys Messaging, Application, and Directory keys Standard keypad Volume-control toggle key Speakerphone, Headset, and Mute keys
Backlit indicator	<ul style="list-style-type: none"> The phone supports backlit indicators for the audio path keys (Handset, Headset, and Speakerphone), select key, line keys, and message waiting
Replaceable bezel	<ul style="list-style-type: none"> The phone includes a black bezel; an optional silver bezel is also orderable separately

Features	Benefits
Dual-position foot stand	<ul style="list-style-type: none"> The display is easy-to-view and the buttons and keys are easy-to-use. The two-position foot stand supports viewing angles of 35 and 50 degrees; you can remove the foot stand for wall mounting, with mounting holes located on the base of the phone
Wall-mountable	<ul style="list-style-type: none"> You can install the phone on a wall using an optional wall-mount kit (orderable separately)
Key expansion module (KEM)	<ul style="list-style-type: none"> The phone supports up to three KEMs to expand from 5- to 113-line buttons. You have the convenience of many speed dials or programmable features
Physical security	<ul style="list-style-type: none"> The phone is compatible with the Kensington Security Slot (K-Slot) antitheft system
Power Features	
IEEE Power over Ethernet (PoE)	<ul style="list-style-type: none"> IEEE Power over Ethernet class 4 is supported. The phone is compatible with IEEE 802.3af, 802.3at and UPOE switch blades and supports both Cisco Discovery Protocol and Link Layer Discovery Protocol - Power over Ethernet (LLDP-PoE)
Cisco IP Phone Power Cube 4	<ul style="list-style-type: none"> This optional power cube is used as an AC-to-DC (48V) power supply for non-PoE deployments. Use of the power cube 4 also requires the use of one of the corresponding AC country cords
Call-Control Support	
Cisco Unified Communications Manager	<ul style="list-style-type: none"> 8.5.1 (non-secured mode only) 8.6.2 9.1.2 10.5.2 11.0 and later
Cisco Unified Communications Manager Express (Unified CME)	<ul style="list-style-type: none"> Planned to be supported in 11.5
Cisco Business Edition 6000 (BE 6000)	<ul style="list-style-type: none"> 8.6.2 9.1.2 10.5.2 11.0 and later
Cisco Hosted Collaboration Solution (HCS)	<ul style="list-style-type: none"> 8.6.2 and later (using supported Cisco Unified UCM versions listed previously)

Licensing

The Cisco IP Phone 8865 requires an Enhanced User Connect License (UCL) in order to connect to Cisco Unified Communications Manager.

Product Specifications

Table 2 lists the features and specifications of the IP Phone 8865.

Table 2. Features and Specifications of Cisco IP Phone 8865

Features	Specifications
Audio codec support	<ul style="list-style-type: none"> G.711 a-law and mu-law, G.722, G.729a, Internet Low Bitrate Codec (iLBC), and Internet Speech Audio Codec (iSAC)
Key call features support	<ul style="list-style-type: none"> + Dialing Abbreviated dialing Adjustable ring tones and volume levels Adjustable display brightness Agent greeting Application launch pad Auto-answer Auto-detection of headset cBarge Busy Lamp Field (BLF) BLF Pickup BLF speed dial

Features	Specifications
	<ul style="list-style-type: none"> • Callback • Call forward • Call forward notification • Call filter • Call history lists • Call park • Call pickup • Call timer • Call waiting • Call chaperone • Caller ID • Corporate directory • Conference, including traditional Join feature • Cross Cluster Extension Mobility (EMCC) • Direct transfer • Extension mobility • Fast-dial service • Forced access codes and client matter codes • Group call pickup • Hold • Intercom • Immediate divert • Malicious-caller ID • Message-waiting indicator (MWI) • Meet-me conference • Mobility • Music on hold (MoH) • Mute • Network profiles (automatic) • On- and off-network distinctive ringing • Personal directory • Pickup • Predialing before sending • Privacy • Private Line Automated Ringdown (PLAR) • Redial • Ring tone per line appearance • Service URL • Shared line • Silent monitoring and recording • Speed dial • Time and date display • Transfer • Uniform Resource Identifier (URI) dialing • Visual Voicemail • Voicemail • Whisper coaching
Mobility and remote access	<p>You can deploy the phones remotely with the following two options:</p> <ul style="list-style-type: none"> • You can have your phone remotely registered to the on-premises network through a built-in VPN client if the administrator has provisioned this VPN feature • You also can directly connect to the on-premises network without VPN through Cisco Expressway if you are provided with log-in credentials. Contact your system administrator
Electronic hookswitch	<ul style="list-style-type: none"> • You can control the hookswitch electronically with a third-party headset connected to either the USB or auxiliary port, or directly paired with the phone through Bluetooth

Features	Specifications
Cisco Intelligent Proximity	<ul style="list-style-type: none"> • Audio path moving sends audio through the phone for a mobile device-connected call • Call-history synchronization allows you to view placed and missed calls of your mobile device from the 8865 • Contact synchronization allows you to synchronize the contact objects from your mobile device to your 8865
Quality-of-service (QoS) options	<ul style="list-style-type: none"> • The phone supports Cisco Discovery Protocol and 802.1Q/p standards, and you can configure it with an 801.1Q VLAN header containing the VLAN ID overrides configured by the Admin VLAN ID
Network features	<ul style="list-style-type: none"> • Session Initiation Protocol (SIP) for signaling • Session Description Protocol (SDP) • IPv4 and IPv6 • User Datagram Protocol (UDP) (used only for Real-Time Transport Protocol [RTP] streams) • Dynamic Host Configuration Protocol (DHCP) client or static configuration • Gratuitous Address Resolution Protocol (GARP) • Domain Name System (DNS) • Trivial File Transfer Protocol (TFTP) • Secure HTTP (HTTPS) • VLAN • Real-Time Transport Protocol (RTP) • Real-Time Control Protocol (RTCP) • Cisco Peer-to-Peer Distribution Protocol (PPDP) • Cisco Discovery Protocol • LLDP (including LLDP Media Endpoint Discovery [LLDP-MED]) • Switch speed auto-negotiation
Security features	<ul style="list-style-type: none"> • Secure boot • Secure credential storage • Device authentication • Configuration file authentication and encryption • Image authentication • Random bit generation • Hardware cryptographic acceleration • Certificate Authority Proxy Function (CAPF) • Manufacturer-Installed Certificates (MIC) • Locally Significant Certificates (LSC) • Ethernet 802.1x supplicant options: Extensible Authentication Protocol-Flexible Authentication via Secure Tunneling (EAP-FAST) and Extensible Authentication Protocol-Transport Layer Security (EAP-TLS) • Signaling authentication and encryption using TLS • Media authentication and encryption using SRTP • HTTPS for client and server • Secure Shell (SSH) Protocol server • Secure Sockets Layer (SSL)-based VPN client
Physical dimensions (H x W x D)	<ul style="list-style-type: none"> • 9.01 x 10.13 x 3.87 in. (228.78 x 257.34 x 98.39 mm) (excluding foot stand)
Weight	<ul style="list-style-type: none"> • 2.97 lb (1.35 kg)
Phone-casing composition	<ul style="list-style-type: none"> • Polycarbonate acrylonitrile butadiene styrene (ABS) textured plastic; Cosmetic class A
Operating temperature	<ul style="list-style-type: none"> • 32 to 104°F (0 to 40°C)
Nonoperating temperature shock	<ul style="list-style-type: none"> • 14 to 140°F (-10 to 60°C)
Humidity	<ul style="list-style-type: none"> • Operating 10 to 90%, noncondensing • Nonoperating 10 to 95%, noncondensing

Features	Specifications
Language support	<ul style="list-style-type: none"> • Arabic (Arabic Area) • Bulgarian (Bulgaria) • Catalan (Spain) • Chinese (China) • Chinese (Hong Kong) • Chinese (Taiwan) • Croatian (Croatia) • Czech (Czech Republic) • Danish (Denmark) • Dutch (Netherlands) • English (United Kingdom) • Estonian (Estonia) • French (Canada) • French (France) • Finnish (Finland) • German (Germany) • Greek (Greece) • Hebrew (Israel) • Hungarian (Hungary) • Italian (Italy) • Japanese (Japan) • Latvian (Latvia) • Lithuanian (Lithuania) • Korean (Korea Republic) • Norwegian (Norway) • Polish (Poland) • Portuguese (Portugal) • Portuguese (Brazil) • Romanian (Romania) • Russian (Russian Federation) • Spanish (Columbia) • Spanish (Spain) • Slovak (Slovakia) • Swedish (Sweden) • Serbian (Republic of Serbia) • Serbian (Republic of Montenegro) • Slovenian (Slovenia) • Thai (Thailand) • Turkish (Turkey)
Certification and compliance	<ul style="list-style-type: none"> • Regulatory compliance <ul style="list-style-type: none"> ◦ CE Markings per directives 2004/108/EC and 2006/95/EC • Safety <ul style="list-style-type: none"> ◦ UL 60950 Second Edition ◦ CAN/CSA-C22.2 No. 60950 Second Edition ◦ EN 60950 Second Edition (including A11 and A12) ◦ IEC 60950 Second Edition (including A11 and A12) ◦ AS/NZS 60950 ◦ GB4943 • EMC - Emissions <ul style="list-style-type: none"> ◦ 47CFR Part 15 (CFR 47) Class B ◦ AS/NZS CISPR22 Class B ◦ CISPR22: 2005 w/Amendment 1: 2005 Class B ◦ EN55022: 2006 w/Amendment 1: 2007 Class B ◦ ICES003 Class B ◦ VCCI Class B ◦ EN61000-3-2 ◦ EN61000-3-3 ◦ KN22 Class B

Features	Specifications
	<ul style="list-style-type: none"> ● EMC - Immunity <ul style="list-style-type: none"> ◦ EN55024 ◦ CISPR24 ◦ EN60601-1-2 ◦ KN24 ◦ Armadillo Light ● Telecom <ul style="list-style-type: none"> ◦ FCC Part 68 HAC ◦ CS-03-HAC ◦ AS/ACIF S004 ◦ AS/ACIF S040 ◦ NZ PTC 220 ◦ Industry Standards: TIA 810 and TIA 920 ◦ Industry Standards: IEEE 802.3 Ethernet, IEEE 802.3af and 802.3at ◦ Korea (RRA Public Notification 2010-36, Nov. 1, 2010) ◦ Korea (RRA Announce 2011-2, Feb. 28, 2011) ● Radio <ul style="list-style-type: none"> ◦ FCC Part 15.247 (CFR 47) ◦ FCC Part 2.1093 (BT RF Exposure TR) ◦ RSS-102 (BT RF Exposure TR) ◦ RSS-210 ◦ EN 300.328 ◦ EN50385 (BT RF Exposure TR) ◦ EN 301-489-1 ◦ EN 301-489-17 ◦ EN 301-893 ◦ NCC LP0002 ◦ Korea (RRL No. 2006-128, RRL No. 2006-129) ● Japan Bluetooth GFSK/EDR

Table 3 gives the Wi-Fi features and specifications of the Cisco IP Phone 8865.

Table 3. Wi-Fi Features and Specifications

Feature	Specifications
Protocols	IEEE 802.11a, 802.11b, 802.11g, 802.11n, and 802.11ac
Frequency bands and operating channels	<ul style="list-style-type: none"> ● 2.412-2.472 GHz (channels 1-13) ● 5.180-5.240 GHz (channels 36-48) ● 5.260-5.320 GHz (channels 52-64) ● 5.500-5.700 GHz (channels 100-140) ● 5.745-5.825 GHz (channels 149-161) <p>IEEE 802.11d is used to identify available channels.</p>
Nonoverlapping channels	<ul style="list-style-type: none"> ● 2.4 GHz (20-MHz channels): Up to 3 channels ● 5 GHz (20-MHz channels): Up to 24 channels ● 5 GHz (40-MHz channels): Up to 9 channels ● 5 GHz (80-MHz channels): Up to 4 channels
Operating modes	<ul style="list-style-type: none"> ● Auto (default), preference to strongest RSSI for 2.4 or 5 GHz ● 2.4 GHz only ● 5 GHz only
Data rates	<ul style="list-style-type: none"> ● 802.11a: 6, 9, 12, 18, 24, 36, 48, and 54 Mbps ● 802.11b: 1, 2, 5.5, and 11 Mbps ● 802.11g: 6, 9, 12, 18, 24, 36, 48, and 54 Mbps ● 802.11n: HT MCS 0, MCS 1, MCS 2, MCS 3, MCS 4, MCS 5, MCS 6, and MCS 7 ● 802.11ac: VHT MCS 0, MCS1, MCS 2, MCS 3, MCS 4, MCS 5, MCS 6, MCS 7, MCS 8, and MCS 9 (MCS 9 available with VHT40 and VHT80 only)

Feature	Specifications			
2.4-GHz receiver sensitivity	IEEE 802.11b: <ul style="list-style-type: none"> • 1 Mbps: -98 dBm • 2 Mbps: -96 dBm • 5.5 Mbps: -93 dBm • 11 Mbps: -91 dBm 	IEEE 802.11g: <ul style="list-style-type: none"> • 6 Mbps: -95 dBm • 9 Mbps: -94 dBm • 12 Mbps: -93 dBm • 18 Mbps: -90 dBm • 24 Mbps: -87 dBm • 36 Mbps: -84 dBm • 48 Mbps: -79 dBm • 54 Mbps: -77 dBm 	IEEE 802.11n HT20: <ul style="list-style-type: none"> • MCS 0: -95 dBm • MCS 1: -92 dBm • MCS 2: -90 dBm • MCS 3: -87 dBm • MCS 4: -83 dBm • MCS 5: -78 dBm • MCS 6: -77 dBm • MCS 7: -75 dBm 	
5-GHz receiver sensitivity	IEEE 802.11a: <ul style="list-style-type: none"> • 6 Mbps: -94 dBm • 9 Mbps: -93 dBm • 12 Mbps: -92 dBm • 18 Mbps: -89 dBm • 24 Mbps: -86 dBm • 36 Mbps: -83 dBm • 48 Mbps: -78 dBm • 54 Mbps: -76 dBm 	IEEE 802.11n HT20: <ul style="list-style-type: none"> • MCS 0: -94 dBm • MCS 1: -91 dBm • MCS 2: -89 dBm • MCS 3: -86 dBm • MCS 4: -82 dBm • MCS 5: -77 dBm • MCS 6: -76 dBm • MCS 7: -74 dBm 	IEEE 802.11n HT40: <ul style="list-style-type: none"> • MCS 0: -91 dBm • MCS 1: -88 dBm • MCS 2: -86 dBm • MCS 3: -83 dBm • MCS 4: -79 dBm • MCS 5: -75 dBm • MCS 6: -73 dBm • MCS 7: -72 dBm 	
	IEEE 802.11ac VHT20: <ul style="list-style-type: none"> • MCS 0: -93 dBm • MCS 1: -90 dBm • MCS 2: -87 dBm • MCS 3: -84 dBm • MCS 4: -81 dBm • MCS 5: -76 dBm • MCS 6: -75 dBm • MCS 7: -74 dBm • MCS 8: -70 dBm 	IEEE 802.11ac VHT40: <ul style="list-style-type: none"> • MCS 0: -90 dBm • MCS 1: -87 dBm • MCS 2: -85 dBm • MCS 3: -82 dBm • MCS 4: -79 dBm • MCS 5: -73 dBm • MCS 6: -72 dBm • MCS 7: -72 dBm • MCS 8: -67 dBm • MCS 9: -66 dBm 	IEEE 802.11ac VHT80: <ul style="list-style-type: none"> • MCS 0: -87 dBm • MCS 1: -83 dBm • MCS 2: -81 dBm • MCS 3: -78 dBm • MCS 4: -75 dBm • MCS 5: -73 dBm • MCS 6: -68 dBm • MCS 7: -68 dBm • MCS 8: -64 dBm • MCS 9: -62 dBm 	
Transmitter output power	2.4 GHz: <ul style="list-style-type: none"> • 802.11b: Up to 17 dBm • 802.11g: Up to 16 dBm • 802.11n HT20: Up to 13 dBm 	5 GHz: <ul style="list-style-type: none"> • 802.11a: Up to 16 dBm • 802.11n HT20: Up to 13 dBm • 802.11n HT40: Up to 13 dBm • 802.11ac VHT20: Up to 12 dBm • 802.11ac VHT40: Up to 12 dBm • 802.11ac VHT80: Up to 12 dBm 		
Antenna	<ul style="list-style-type: none"> • 2.4 GHz: 2.08-dBi peak gain • 5 GHz: 1.88-dBi peak gain 			
Access-point support	<ul style="list-style-type: none"> • Cisco Wireless Access Points <ul style="list-style-type: none"> ◦ Minimum: 7.0.240.0 ◦ Recommended: 7.4.121.0, 7.6.110.0, or later • Cisco Aironet Access Points in Autonomous Mode <ul style="list-style-type: none"> ◦ Minimum: 12.4(21a)JY ◦ Recommended: 12.4(25d)JA2 or later • Cisco Meraki® access points 			
Wireless security	Authentication: <ul style="list-style-type: none"> • Wi-Fi Protected Access (WPA) Versions 1 and 2 Personal and Enterprise • EAP-FAST • Protected Extensible Authentication Protocol - Microsoft Challenge Handshake Authentication Protocol Version 2 (PEAP-MSCHAPv2) 	Encryption: <ul style="list-style-type: none"> • 40- and 128-bit static Wired Equivalent Privacy (WEP) • Temporal Key Integrity Protocol (TKIP) and Message Integrity Check (MIC) • Advanced Encryption Standard (AES) 		

Feature	Specifications
Fast secure roaming	<ul style="list-style-type: none"> • 802.11r (FT) • Cisco Centralized Key Management (CKM)
QoS	<ul style="list-style-type: none"> • IEEE 802.11e and Wi-Fi Multimedia (WMM) • Traffic Specification (TSPEC) • Traffic Classification (TCLAS) • Enhanced Distributed Channel Access (EDCA) • QoS Basic Service Set (QBSS)
Radar detection	Dynamic frequency selection (DFS) and transmit power control (TPC) according to IEEE 802.11h

Product Specifications

Table 4 gives ordering information for the phone and its accessories.

Table 4. Ordering Information

Product Number	Description
CP-8865-K9=	Cisco IP Phone 8865, Charcoal
CP-8865-W-K9=	Cisco IP Phone 8865, White
CP-DX-HS=	Spare Handset for Cisco IP Phone 7800, 8800, DX600 Series, Charcoal
CP-DX-CORD=	Spare Handset Cord for Cisco IP Phone 8800, DX600 Series, Charcoal
CP-8800-V-KEM =	Key Expansion Module for Cisco IP Phone 8800 Series, Charcoal
CP-8800-VIDEO-WMK=	Spare Wallmount Kit for Cisco IP Phone 8800 Video Series
CP-8800-FS=	Spare Foot stand for Cisco IP Phone 8800 Series
CP-8800-B-VID-BEZEL=	Spare Black Bezel for Cisco IP Phone 8800 Video Series
CP-8800-S-VID-BEZEL=	Spare Silver Bezel for Cisco IP Phone 8800 Video Series
CP-PWR-CUBE-4	Cisco Power Cube 4
CP-PWR-CORD-AP=	Power Cord Asia Pacific
CP-PWR-CORD-AR=	Power Cord Argentina
CP-PWR-CORD-AU=	Power Cord Australia
CP-PWR-CORD-BZ=	Power cord for Brazil
CP-PWR-CORD-CE=	Power Cord European
CP-PWR-CORD-CN=	Power Cord China
CP-PWR-CORD-JP=	Power Cord Japan
CP-PWR-CORD-NA=	Power Cord North America
CP-PWR-CORD-SW=	Power Cord Switzerland
CP-PWR-CORD-UK=	Power Cord United Kingdom

Warranty

The Cisco IP Phone 8865 phones are covered by a Cisco standard 1-year replacement warranty.

Cisco Unified Communications Services

Cisco and our certified partners can help you set up a secure, dependable Cisco Unified Communications Solution, meeting aggressive deployment schedules and accelerating business advantage. Cisco's portfolio of services is based on proven methodologies for unifying voice, video, data, and mobile applications on fixed and mobile networks.

Our unique lifecycle approach to services defines what's needed at each phase of the solution lifecycle.

Customized planning and design services help you create a solution that meets your business needs.

Award-winning technical support helps you boost your operational efficiency. Remote management services simplify day-to-day operations. And optimization services let you modify and improve your network solution when business needs change.

Cisco Capital

Flexible Payment Solutions to Help You Achieve Your Objectives

Cisco Capital makes it easier to get the right technology to achieve your objectives, enable business transformation and help you stay competitive. We can help you reduce the total cost of ownership, conserve capital, and accelerate growth. In more than 100 countries, our flexible payment solutions can help you acquire hardware, software, services and complementary third-party equipment in easy, predictable payments. [Learn more.](#)

More Information

For additional details about the Cisco IP Phone 8800 Series, please visit: <https://www.cisco.com/go/ipphones/8800>.




Americas Headquarters
Cisco Systems, Inc.
San Jose, CA

Asia Pacific Headquarters
Cisco Systems (USA) Pte. Ltd.
Singapore

Europe Headquarters
Cisco Systems International BV Amsterdam,
The Netherlands

Cisco has more than 200 offices worldwide. Addresses, phone numbers, and fax numbers are listed on the Cisco Website at www.cisco.com/go/offices.

 Cisco and the Cisco logo are trademarks or registered trademarks of Cisco and/or its affiliates in the U.S. and other countries. To view a list of Cisco trademarks, go to this URL: www.cisco.com/go/trademarks. Third party trademarks mentioned are the property of their respective owners. The use of the word partner does not imply a partnership relationship between Cisco and any other company. (1110R)

Printed in USA

C78-734731-06 10/18

© 2018 Cisco and/or its affiliates. All rights reserved. This document is Cisco Public Information.

Page 10 of 10



ednetics®

Intrusion Detection

Headquarters

971 S. Clearwater Loop
Post Falls, ID 83854
T 208.777.4709
F 208.777.4708

Washington

1055 NW Maple Street
Issaquah, WA 98027
T 425.200.0200
F 425.200.0201

Washington

1617 S. Washington St. A
Kennewick, WA 99337
T 509.955.2200
F 509.955.2201

Oregon

13535 SW 72nd Ave. Ste. 140
Tigard, OR 97223
T 971.888.7801
F 971.888.7802

Idaho

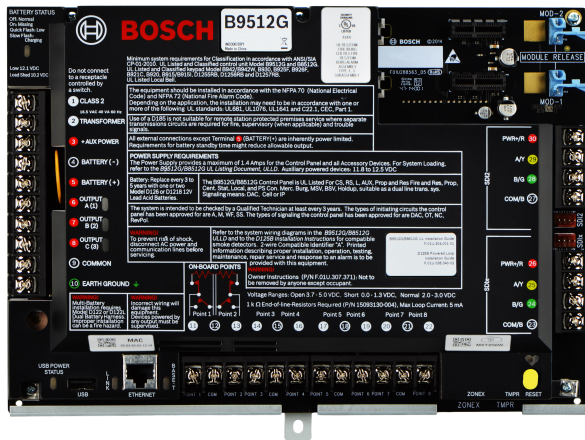
3070 E Franklin Rd Ste. 301
Meridian, ID 83642
T 208.501.0030
F 208.501.0031

B9512G Control Panels

www.boschsecurity.com



BOSCH
Invented for life



- ▶ Fully integrated intrusion, fire, and access control allows users to interface with one system instead of three
- ▶ Provides up to 599 points using a combination of hardwired or wireless devices for installation flexibility, and up to 32 areas and 32 doors for up to 2,000 users
- ▶ On-board Ethernet port for Conetix IP alarm communication and remote programming, compatible with modern IP networks including IPv6/IPv4, Auto-IP, and Universal Plug and Play
- ▶ Installer-friendly features for simple installation and communications, including plug-in PSTN and cellular communication modules
- ▶ Remote Security Control app which allows users to control their security systems - and view system cameras - remotely from mobile devices such as phones and tablets

The B9512G Control Panel and the B8512G Control Panel are the new premier commercial control panels from Bosch. B9512G control panels integrate intrusion, fire, and access control providing one simple user interface for all systems.

With the ability to adapt to large and small applications, the B9512G provides up to 599 individually identified points that can be split into 32 areas.

The control panel can communicate through its built-in Ethernet port (not applicable to “E” control panels), or through compatible plug-in modules that can send events over the public switched telephone network (PSTN) or over cellular network communications.

For users, programmable keypad shortcuts, situation sensitive on-screen help, and a bilingual user interface make system operation simple and easy. With the B9512G Control Panel, you can:

- Monitor alarm points for intruder, gas, or fire alarms.
- Program all system functions local or remote using Remote Programming Software (RPS) or the Installer Services Portal programming tool (available in Europe, Middle East, Africa, and China) or by using basic programming through the keypad.
- Add up to 32 doors of access control using the optional B901 Access Control Module. Optionally use the D9210C Access Control Interface Module for up to eight of the 32 doors.

The B9512G is a direct replacement for previous control panel models D9412GV4, D9412GV3, D9412GV2, and D9412G.

Functions

Programmable outputs

- Four alarm-output patterns
- Programmable bell test

Point response

- Selectable point response time
- Selectable EOL values and configuration
- Cross point capability
- Fire alarm verification
- Dangerous gas indicator includes carbon monoxide (NFPA 720)
- Watch mode
- 63 point profiles

User interface

- Supervision of up to 32 keypads
- Custom keypad text is fully programmable through RPS or the Installer Services Portal programming tool (available in Europe, Middle East, Africa, and China)
- Full function menu including customizable shortcuts
- Authority by area and 32 character name for each user
- 14 custom authority levels to restrict system features that each user can access
- Programmable primary and secondary language by user and keypad
- 9 available languages

User interface languages

The following table shows the available languages per keypad type.

	B915/ B915I	B920	B921C	B930	B942/ B942 W
English	✓	✓	✓	✓	✓
Chinese	✓				✓
French	✓	✓	✓	✓	✓
Greek	✓				✓
Hungarian	✓	✓	✓	✓	✓
Italian	✓	✓	✓	✓	✓
Polish	✓				✓
Portuguese	✓	✓	✓	✓	✓
Spanish	✓	✓	✓	✓	✓

Area configurations

Link multiple areas to a shared area such as a lobby or common entryway. The shared area then automatically turns On (arms) when all associate areas are armed and turns Off (disarms) when any one associate area is disarmed. For higher security applications, the Area Re-Arm feature guarantees that areas are always rearmed, and are disarmed for no longer than a specific, configurable, amount of time (for example, service time).

Custom functions

For added convenience, the installer can program custom functions that allow customers to complete complex tasks with one simple action. For example, a custom function can bypass a group of points and arm the system, allowing the user to perform these

functions with one easy command. Users can activate custom functions with a keypad, keyfob, token, or card, or the control panel can activate a function in reaction to a faulted point, or automatically through a scheduled event (SKED).

Passcode security

- Two-man rule. Requires two people with two unique passcodes to be present at the time of opening.
- Early ambush. Allows users to verify that the facility is safe by requiring two passcodes. The control panel sends a duress event if the user does not enter the passcode a second time after inspecting the premises.
- Dual authentication. Requires two forms of identification before processing certain system commands, including turning off the system and opening doors. A standard system user must have a passcode, a credential (token or card), and appropriate command authority permissions.

Door control

Using the B901 Access Control Module or D9210C Access Control Interface Module, the control panel provides a fully supervised access control solution. The solution offers 14 programmable levels of access authority. Authority for door access is controlled by the user level, the group of the user, the time of day, the door state, and the area armed (On/Off) state.

Easy exit control

The control panel changes from one On (armed) state to another without turning off (disarming) the system. For example, if you change the state from Part On (Perimeter Arm) to All On (Master Arm), the control panel complies and reports the change. Easy exit control reduces the number of keystrokes, simplifying system operation.

Programmable passcode-controlled menu list

Passcode-controlled shortcuts provide users only with the options and information pertinent to them, simplifying system operation.

Flexible control

The system provides the flexibility to choose added convenience or high security. For example, you can restrict to a keypad's immediate local area turning on (arming) and turning off (disarming) the system with a passcode, even if the user has access to other areas. This is particularly useful for high security areas, where a user may have access to the area, but would prefer to only turn off (disarm) the area individually rather than with the rest of the system.

Monitor Delay/Delayed Response

Create a special point profile that delays the reaction of a point for a specified time (up to 1 hour in minutes and seconds). This delay provides time for the specified condition to reset before activating any announcement. The system can announce locally and send a report, if desired. When the system is armed, the point can respond like a normal point - providing

dual functionality. Use this feature to ensure that perimeter doors have not been propped open, or to monitor critical areas such as computer rooms and safes, for example.

System users

The system supports up to 2,000 users. Each user can have a personalized passcode, a wireless keyfob, and an access credential to control the system. You can assign passcodes to one of 14 customized authority levels in each area that can be restricted to operate only during certain times. You can program a primary and secondary language for each user and by keypad (select from English, Chinese, French, Greek, Hungarian, Italian, Polish, Portuguese, and Spanish). The keypad changes to the user's programmed language when the user enters his passcode or holds the Help key.

Communication formats

The control panel prioritizes and sends reports to four route groups. Network and phone communications can use either Modem4 or Contact ID communication format. Each group has a programmable primary and backup destination.

The control panel provides flexible communications for most central stations with reporting capabilities such as:

- Individual point numbers
- Opening or closing reports by user and area number
- Remote programming attempts
- Diagnostic reports



Notice

For premises equipment used in the communication path, such as routers, use only UL listed equipment.

IP communication

The control panel can use IP to communicate with a Conettix D6600 or a Conettix D6100IPv6 Communications Receiver/Gateway. Use one of the following for IP:

- The on-board Ethernet connection (not applicable to "E" control panels)
- Ethernet Communication Module: B426
- Plug-in cellular communicator: B442/B443/B444

Conettix IP communication provides a secure path that includes anti-replay/anti-substitution features, and enhanced security with up to AES 256-bit encryption (using Cipher Block Chaining (CBC)).

The control panel supports Domain Name System (DNS) for both remote programming and central station communication. DNS provides ease of use, eliminating the need to use static IP addresses as your reporting destination, and accommodates a simple solution for central station disaster recovery. The control panel supports both IPv6 and IPv4 networks.

Communication paths

The control panel accommodates up to four separate phone and four separate network paths to the central station receiver. When resetting alarms or turning a system on and off, the user is identified by name and number.

Personal notification

The control panel can send text messages and emails for personal notification over Ethernet or using a cellular communicator. You can configure up to 32 destinations using a combination of cellular phone numbers and email addresses. The control panel sends notifications in the user's programmed primary language.

Bosch Remote Connect (Cloud)

Remote Connect simplifies connections from RPS, and the Remote Security Control app, using Bosch Cloud services. This service creates a secure connection to the control panel without specific router settings or the need for a static IP address or DNS.



Notice

The Bosch Remote Connect service is not available in Europe, the Middle East, or Africa.

Firmware updates

Remote firmware updates are available.

A wide variety of input options

Each point:

- Single 1 k Ω , single 2 k Ω , dual 1 k Ω (1 k Ω + 1 k Ω), and No EOL (end-of-line) (EOL) resistor options (for on-board and B208 inputs)
- Programmable for Fire, Intrusion, Access, Gas, and Supervisory devices
- Supports hardwired and wireless devices
- Supports IP cameras by Bosch as point and output devices

IP camera support

The control panel can integrate directly with Bosch IP cameras, using them as fully supervised points and outputs.

Integration of cameras allows the camera's video motion detection to activate points on the control panel. The control panel's virtual outputs can be configured to trigger camera actions, including sending video snapshots via email.

Security and fire detection

The control panel provides eight on-board points, and up to 591 additional off-board points (depending on model and expansion interfaces). You can program individual points to monitor some types of burglar alarms, fire alarms, and supervision devices.

Event log

The event log stores up to 10192 local and reported events. The event log includes time, date, event, area, point, and user. View the event log from a keypad or use RPS or the Installer Services Portal programming

tool (available in Europe, Middle East, Africa, and China) to remotely retrieve event information. When the event log reaches a programmed threshold of stored events, it can send an optional report to a receiver.

Scheduled events (SKEDs)

The internal clock and calendar start individually scheduled events (SKEDs). SKEDs perform several functions such as turn on or off, relay control, or point bypassing.

The control panel offers:

- 80 scheduled events with up to 31 different functions
- 32 opening windows and 32 closing windows
- 32 user group windows
- Day-of-week, date-of-month, or holiday only schedules
- 8 holiday schedules of 366 days (leap year)

Dual bus and SDI keypad retrofits

The dual SDI2 device bus design provides greater installation flexibility, such as bus isolation for Intrusion and Fire. To use popular SDI keypads (for example D1255 and D1260), program one of the two SDI2 buses for SDI operation.

ZONEX and POPEX retrofits

To retrofit legacy Bosch control panels that use ZONEX and POPEX devices, the control panel is compatible with the B600 Retrofit (ZONEX) Module. The B600 adds two ZONEX buses to the control panel which can connect to existing legacy point bus (POPEX) devices (for example, the D8125).

Programming

Installers can perform limited programming on-site with a keypad (critical parameters; such as account IDs, central station and RPS IP addresses and phone numbers, reporting formats, and more). They can also do full programming on-site or remotely (attended or unattended) with RPS. A programmable system passcode prevents unauthorized remote programming. Full programming is also possible with the web-based Installer Services Portal programming tool. The Installer Services Portal programming tool is available for panel firmware version 3.06 or higher.



Notice

The Installer Services Portal programming tool is available in Europe, Middle East, Africa, and China.

The following table shows the available languages for RPS and Installer Services Portal programming tool.

	Installer Services Portal programming tool	RPS programming	RPS custom text*
English	✓	✓	✓
Chinese	✓		

	Installer Services Portal programming tool	RPS programming	RPS custom text*
French	✓		✓
Greek	✓		
Hungarian	✓		✓
Italian	✓		✓
Polish	✓		
Portuguese	✓		✓
Spanish	✓		✓

* RPS custom text is text, that can be entered in RPS and which will then be displayed on keypads and on the Remote Security Control app.

Diagnostics

Keypads, RPS and the Installer Services Portal programming tool (available in Europe, Middle East, Africa, and China) offer diagnostic help for monitoring and troubleshooting. The diagnostics features allow you to view the status of the wired and wireless devices. The features provide the status of the control panel and its connected devices, such as firmware version, power, and missing conditions. View the status of each area.

Remote Security Control app

The Remote Security Control app allows users to control their security systems remotely from their devices. Users can:

- Turn their security system On or Off
- Turn specific areas On or Off
- Control outputs for applications such as lighting control
- View live video from Bosch IP cameras
- Grant access remotely by unlocking and locking doors

The app requires the installing dealer to create a Remote Access Profile for users, and to install the profile on their devices.

Bosch Video Management System integration

With Bosch Video Management System (Bosch VMS) and an intrusion system, the VMS operator has a single user interface to monitor and control the intrusion system combined with video surveillance. With Bosch VMS and a control panel, the operator can, for example:

- View videos triggered by intrusion events, including all relevant information such as areas, point, and user show in the display with the event.
- View areas, points, outputs, and doors - with their statuses - on the Bosch VMS map, providing the exact location in the system.
- Turn on (arm) and turn off (disarm) areas.
- Bypass and unbypass points.
- Lock and unlock doors (Bosch VMS 6.0 and higher).

Requirements to integrate Bosch VMS with a control panel:

- A licensed Bosch VMS system using Professional Editions v5.5 or higher or Bosch VMS Enterprise Edition v5.5 or higher.
- Expansion license to integrate the intrusion control panel. One license needed per control panel. Order number MBX-XINT-xx for the expansion license added to a Bosch VMS base license. Refer to the Bosch Video Management Software product page on the Bosch website, www.boschsecurity.com.
- Access to the control panel account and Remote Programming Software (RPS) and the Installer Services Portal programming tool (available in Europe, Middle East, Africa, and China).

Certifications and approvals

Region	Regulatory compliance/quality marks	
USA	ANSI-SIA	CP-01-2010-Control Panel Standard - Features for False Alarm Reduction
Australia	RCM	[B9512G]
	RCM	[B8512G]
	RCM	ACMA
Europe	CE	EMC, LVD, RoHS [B9512G, B9512G-E, B8512G, B8512G-E]
USA	UL	[B9512G, B9512G-E, B8512G, B8512G-E, B299, B600, B901, B925F, B926F]
	UL	UL 294 - Standard for Access Control Units and Systems
	UL	UL 365 - Police Station Connected Burglar Alarm Units
	UL	UL 609 - Standard for Local Burglar Alarm Units and Systems
	UL	UL 636 - Holdup Alarm Units and Systems
	UL	UL 864 - Standard for Control Units and Accessories for Fire Alarm Systems
	UL	UL 985 - Household Fire Warning System Units
	UL	UL 1023 - Household Burglar Alarm System Units
	UL	UL 1076 - Proprietary Burglar Alarm Units and Systems
	UL	UL 1610 - Central Station Burglar Alarm Units
	UL	UL 1635 - Standard for Digital Alarm Communicator System Units
	FM	Central Station
	FM	Local Protective Signaling
	FM	Remote Station
	CSFM	California State Fire Marshal (see our website)

Region	Regulatory compliance/quality marks	
	FCC	Part 15 Class B
	FDNY-CoA	Fire Department of New York City [B9512G, B9512G-E, B8512G, B8512G-E]
Canada	ULC	[B9512G, B9512G-E, B8512G, B8512G-E, B299, B600, B901, B925F, B926F]
	ULC	CAN/ULC S303 - Local Burglar Alarm Units and Systems
	ULC	CAN/ULC S304 - Standard for Signal Receiving Center and Premise Burglar Alarm
	ULC	CAN/ULC S545 - Residential Fire Warning System Control Units
	ULC	CAN/ULC S559 - Fire Signal Receiving Centres and Systems
	ULC	ULC-ORD C1023 - Household Burglar Alarm System Units
	ULC	ULC-ORD C1076 - Proprietary Burglar Alarm Units and Systems
	IC	ICES-003 - Information Technology Equipment (ITE)
Brazil	ANATEL	04450-16-01855 [B9512G, B8512G when used with B430 or B442]

Installation/configuration notes



Notice

Not all products and features are available in all regions. Consult your local Bosch representative for availability details.

Compatible products

Keypads

B942/B942W Touch Screen Keypad (SDI2)
 B930 ATM Style Alphanumeric Keypad (SDI2)
 B926F Fire Keypad (SDI2)
 B925F Fire Keypad (SDI2)
 B921C Two-line Capacitive Keypad (SDI2)
 B920 Two-line Alphanumeric Keypad (SDI2)
 B915/B915I Basic Keypad (SDI2)
 D1255 Series Keypads
 D1260 Series Keypads
 D1256RB Fire Keypad
 D1257RB Remote Fire Alarm Annunciator

Power

D1640 16.5 VAC 40 VA Transformer

DE-45-18 Transformer
 D126 Standby Battery (12 V, 7 Ah)
 D1218 Battery (12 V, 18 Ah)
 D122 Dual Battery Harness
 D122L Dual Battery Harness with Long Leads

Enclosures

B8103 Universal Enclosure (White)
 D8103 Universal Enclosure (Gray)
 D8108A Attack Resistant Enclosure
 D8108A-CE Attack Resistant Enclosure with Built-in Transformer
 D8109 Fire Enclosure

Accessories

B56 Keypad Surface Mount Box
 B96 Keypad Trim Bezel
 B99 USB Direct Connect Cable
 B501-10 Interconnect wiring cables (pack of 10)
 D161 Dual Modular Telephone Cord (7 f)
 D162 Modular Telephone Cord (2 ft)
 D166 Telephone Jack (RJ31X)

Detectors

D7050 Series Addressable Photoelectric Smoke and Smoke Heat Detector Heads
 F220-B6PM/S 12/24 VDC Addressable Detector Bases with POPITs
 F220-B6 12/24 VDC Two-wire Base
 F220-B6R Standard 12/24 VDC Four-wire Base)
 F220-P Photoelectric Smoke Detector
 F220-PTH Photoelectric Smoke Detector with +135°F (+57°C) Heat Sensor
 F220-PTH Photoelectric Smoke Detector with +135°F (+57°C) Heat Sensor and Carbon Monoxide Sensors
 F220-B6C 12/24 VDC Four-wire Base with Auxiliary Form C Relay
 FCC-380 Carbon Monoxide Detector
 FCH-T320 Heat Detector
 FCP-OT320 Multisensor Detector Optical/Thermal
 FCP-O320 Optical Smoke Detector
 MX775i Addressable PIR Detector
 MX794i Long Range Multiplex PIR Detector
 MX934i Addressable PIR Detector

MX938i Addressable PIR Detector
 ZX776Z PIR Detector
 ZX794Z Long Range PIR Detector
 ZX835 TriTech Microwave/PIR Detector
 ZX935Z PIR Detector
 ZX938Z PIR Detector
 ZX970 PIR/Microwave Detector

Bosch conventional detectors, including Professional Series, Blue Line Gen2, Blue Line, Classic Line, Commercial Line, and Ceiling Mount motion detectors, as well as glass break, seismic, request-to-exit, photoelectric, heat, and smoke detectors.

Modules

B208 Octo-input Module
 B299 POPEX Module
 B308 Octo-output Module
 B426 Conettix Ethernet Communication Module
 B430 Plug-in Telephone Communicator
 B442 Conettix Plug-in Cellular Communicator (using GPRS)
 B443 Conettix Plug-in Cellular Communicator (using HSPA+)
 B444 Conettix Plug-in Cellular Communicator
 B450 Conettix Plug-in Communicator Interface
 B520 Auxiliary Power Supply Module
 B600 Retrofit (ZONEX) Module
 B810 wireless receiver (RADION)
 B820 SDI2 Inovonics Interface Module
 B901 Access Control Module
 D113 Battery Lead Supervision Module
 D125B Dual Class B Initiating Module
 D126 Standby Battery (12 V, 7 Ah)
 D129 Class A Initiating Module
 D130 Auxiliary Relay Module
 D132A Smoke Detector Reversing Relay Module
 D133 Single Relay Module
 D134 Dual Relay Module
 D185 Reverse Polarity Signaling Module
 D192G Class "B", Style Y Bell Circuit Supervision
 D1218 Battery (12 V, 18 Ah)
 D8125 Addressable Expansion Module
 D8125MUX Multiplex Bus Interface

D8128D OctoPOPIT Eight-point Expander
 D8129 Octo-relay Module
 D8130 Door Release Module
 D9127U/T POPIT Module
 DS7461i Single-zone Input Module
 DS7465i Input-output Module
 D9210C Access Control Interface Module
 ICP-EZTS Cover and Wall Tamper Switch
 ICP-SDI-9114 SDI Splitter

Applications

Remote Programming Software (RPS or RPS-LITE) v6.03 and higher
 Installer Services Portal programming tool
 Bosch Video Management System v5.5 and higher
 Remote Security Control

Conettix receivers

(Managed and configured with Conettix D6200 Programming/ Administration Software v2.10)

Conettix D6600 Communications Receiver/Gateway (with only D6641 line cards installed) with CPU version 01.10.00

Conettix D6100IPv6 Communications Receiver/Gateway with CPU version 61.10.00

Conettix D6100i Communications Receiver/Gateway with CPU version 61.10.00

RADION wireless from Bosch

B810 wireless receiver (RADION)
 RFBT-A/RFBT bill trap
 RFDL-11-A/RFDL-11 TriTech motion detector
 RFDW-RM-A/RFDW-RM recessed mount door/window contact
 RFDW-SM-A/RFDW-SM surface mount door/window contact
 RFGB-A/RFGB glass break detector
 RFKF-A/RFKF two-button keyfob
 RFKF-FBS-A/RFKF-FBS four-button keyfob
 RFKF-TBS-A/RFKF-TBS two-button keyfob
 RFPB-SB-A/RFPB-SB single-button panic
 RFPB-TB-A/RFPB-TB two-button panic
 RFRP-A/RFRP repeater
 RFSM-A/RFSM smoke detector
 RFPR-12-A/RFPR-12 PIR motion detector

RFPR-C12-A/RFPR-C12 PIR curtain motion detector
 RFUN-A/RFUN universal transmitter

Inovonics Wireless

B820 SDI2 Inovonics Interface Module
 ENKIT-SDI2 SDI2 Inovonics Interface and Receiver Kit. Includes B820 and EN4200
 EN1210 Universal Transmitter (Single-input)
 EN1210EOL Universal Transmitter with EOL Resistor
 EN1210W Door-Window Transmitter with Reed Switch
 EN1215EOL Universal Transmitter with Wall Tamper, Reed Switch, and EOL Resistor
 EN1223D Water-resistant Pendant Transmitter (Double-button)
 EN1223S Water-resistant Pendant Transmitter (Single-button)
 EN1224-ON Multiple-Condition Pendant Transmitter
 EN1233D Necklace Pendant Transmitter (Double-button)
 EN1233S Necklace Pendant Transmitter (Single-button)
 EN1235D Beltclip Pendant Transmitter (Double-button)
 EN1235DF Fixed-location Transmitter (Double-button)
 EN1235S Beltclip Pendant Transmitter (Single-button)
 EN1235SF Fixed-location Transmitter (Single-button)
 EN1247 Glass-break Detector Transmitter
 EN1249 Bill Trap Transmitter
 EN1242 Smoke Detector Transmitter
 EN1260 Wall Mount Motion Detector
 EN1261HT High Traffic Motion Detector
 EN1262 Motion Detector with Pet Immunity
 EN1265 360° Ceiling Mount Motion Detector
 EN4200 Serial Receiver
 EN5040-T High Power Repeater with Transformer

Technical specifications

Properties

Dimensions	10.625 in x 7.75 in x 1.875 in (26.99 x 19.69 x 4.76 cm)
Weight	1.95 lbs (0.88 kg)

Communications

Ethernet	10/100 full duplex (N/A for "E" control panels)
----------	---

Environmental considerations

Relative humidity	5% to 93% at +32°C (+90°F)
Temperature (operating)	0°C to +49°C (+32°F to +120°F)

Power requirements

Current (maximum)	Standby: 180 mA Alarm: 260 mA
Output (alarm)	2 A at 12 VDC
Output (auxiliary, continuous power, and switched auxiliary combined)	1.4 A at 12 VDC nominal
Voltage (operating)	12 VDC nominal
Voltage (AC)	16.5 - 18 VAC

Wiring

Terminal wire size	12 AWG to 22 AWG (2.0 mm to 0.65 mm)
SDI2 wiring	Maximum distance – Wire size (unshielded wire only): 7,500 ft (2,286 m) - 22 AWG (0.65 mm)

Number of...

Areas	32
Custom functions	32
Keypads	32 keypads, including 16 SDI keypads
Events	Up to 10,192
Passcode users	2000, plus 1 installer passcode
Points	599 (8 on-board, up to 591 off-board and virtual)
Programmable outputs	599 (3 on-board, up to 596 off-board and virtual)
RF points	504
IP cameras	16
SKEDs	80

Ordering information**B9512G IP control panel, 32 areas, 599 points**

Supports up to 599 points, 3 on-board outputs, and 32 areas for intrusion, commercial fire. On-board Ethernet.

Order number **B9512G**

B9512G-E Control panel 32 areas 599 points, no IP

The B9512G-E is available only in kits.

Order number **B9512G-E**

B901 Door Controller

Fully supervised, addressable SDI2/SDI bus device that allows access control integration for Bosch G and B Series Control Panels.

Order number **B901**

D1640-CA 16VAC 40VA xfmr Canada

For use in Canada. System transformer rated at 16.5 VAC, 40 VA.

Order number **D1640-CA**

Accessories**B520 Auxiliary power supply module, 2A 12V**

Provides auxiliary power to 12 VDC devices or to SDI2 modules.

Order number **B520**

B208 SDI2 8-Input Expansion Module

Provides 8 programmable inputs.

Order number **B208**

B308 SDI2 8-Output Expansion Module

Provides 8 programmable relays.

Order number **B308**

B810 Wireless SDI2 bus interface

Receives RF signals from RADION transmitters, repeaters, and glassbreaks. Operates at 433.42 MHz. For use with compatible SDI2 bus control panels.

Order number **B810**

D122 Dual battery harness, 17" 18AWG

Harness with circuit breaker. Connects two batteries (in parallel) to a compatible control panel.

Order number **D122**

D122L Dual battery harness, 35", 12V

Harness with circuit breaker and leads measuring 35 in. (89 cm). Connects two batteries (in parallel) to a compatible control panel in a separate enclosure.

Order number **D122L**

D126 Battery, 12V 7Ah

A rechargeable sealed lead-acid power supply used as a secondary power supply or in auxiliary or ancillary functions.

Order number **D126**

D1218 Battery, 12V 18Ah

The D1218 is a 12 V 18 Ah sealed lead-acid battery with two bolt-fastened terminals. It is used for standby and auxiliary power. It connects to a compatible control panel using a D122 or D122L Dual battery harness.

Order number **D1218**

D1238 BATTERY, 12V 38 AH

A 12 V sealed lead-acid battery for standby and auxiliary power with two bolt-fastened terminals. Includes hardware for attaching battery leads or spade connectors.

Order number **D1238**

D137 Accessory mounting bracket for enclosure

Used to mount accessory modules in B8103, D8108A, and D8109 enclosures.

Order number **D137**

D1640 Transformer plug-in, 16V 40VA

System transformer rated at 16.5 VAC, 40 VA.

Order number **D1640**

D9002-5 Mounting plate, 6 location 3-hole, 5 pcs

5 pack of mounting skirts for B8103, D8103, D8108A, and D8109 enclosures. Each skirt can hold up to six standard 3-hole mounting modules.

Order number **D9002-5**

D101 Enclosure lock and key set

Short-body lock set with one key supplied. Uses the D102 (#1358) replacement key.

Order number **D101**

D110 TAMPER SWITCH 2/PKG

Screw-on tamper switch that fits all enclosures.

Shipped in packages of two.

Order number **D110**

ICP-EZTS TAMPER SWITCH-DUAL

Combination tamper switch with a wire loop for additional tamper outputs.

Order number **ICP-EZTS**

B8103 Universal enclosure, white

White steel enclosure measuring 41 cm x 41 cm x 9 cm (16 in. x 16 in. x 3.5 in.).

Order number **B8103**

D8108A Attack resistant enclosure, large, grey

Grey steel enclosure measuring 41.5 cm x 41.5 cm x 9 cm (16 in. x 16 in. x 3.5 in.).

UL Listed. Includes a lock and key set.

Order number **D8108A**

D8109 Fire enclosure, 16x16x3.5", red

Red enclosure measuring 16 in. x 16 in. x 3.5 in. (41 cm x 41 cm x 9 cm). Made from 16 gauge (1.5 mm) cold-rolled steel with a full-length hinge. Includes a lock and key set. UL Listed for commercial fire/ burglary alarm applications.

Order number **D8109**

D8004 Transformer enclosure kit, grey

For applications that might require a remote transformer in an enclosure. Can be used with B Series control panels and D9412GV4/D7412GV4 control panels.

Order number **D8004**

BATB-40 Battery box/enclosure, 22x20.75x7.25"

22 x 20.75 x 7.25" (56 x 53 x 18.5 cm). Holds two dry or wet cell batteries. Optional BATB-SHELF battery shelf increases number of batteries. Suitable for residential/commercial fire or burglary applications.

Order number **BATB-40**

BATB-80 Battery box/enclosure, 14x20.75x7.25"

14 x 20.75 x 7.25" (36 x 53 x 18.5 cm). Battery box/ enclosure with shelf holds up to four dry or wet cell batteries. Suitable for residential/commercial fire or burglary applications.

Order number **BATB-80**

B99 USB direct connect cable

Male A to Male A USB cable for local programming of control panels with on-board USB ports.

Order number **B99**

B915 Basic Keypad

Two-line alphanumeric basic keypad with language function keys.

Available languages: English, Chinese, French, Greek, Italian, Hungarian, Polish, Portuguese, Spanish.

Order number **B915**

B915I LCD keypad, icon keys, SDI2

Two-line alphanumeric basic keypad with icon function keys.

Available languages: English, Chinese, French, Greek, Italian, Hungarian, Polish, Portuguese, Spanish.

Order number **B915I**

B920 2 Line Alpha Numeric Keypad (SDI2)

Two-line alphanumeric keypad

Available languages: English, French, Hungarian, Italian, Portuguese, Spanish.

Order number **B920**

B921C Two-line Keypad w/Touch keys, Inputs

Two-line alphanumeric keypad with inputs and capacitive touch keys in black.

Available languages: English, French, Hungarian, Italian, Portuguese, Spanish.

Order number **B921C**

B930 ATM Style-Alpha Numeric Keypad (SD12)

Five-line ATM style alphanumeric keypad

Available languages: English, French, Hungarian, Italian, Portuguese, Spanish.

Order number **B930**

B942 Touch Screen KP Prox/Input/Output, black

Black SDI2 touch screen keypad with inputs and one output.

Available languages: English, Chinese, French, Greek, Italian, Hungarian, Polish, Portuguese, Spanish.

Order number **B942**

B942W Touch screen KP, prox/input/output,white

White SDI2 touch screen keypad with inputs and one output.

Available languages: English, Chinese, French, Greek, Italian, Hungarian, Polish, Portuguese, Spanish.

Order number **B942W**

B925F Fire and intrusion keypad, SDI2

Two-line alphanumeric fire and intrusion keypad.

Order number **B925F**

B926F Fire keypad, SDI2

Two-line alphanumeric fire keypad

Order number **B926F**

Software Options

D5500C-USB Kit with DVD and USB security dongle

Remote Programming Software (RPS) with USB security key (dongle).

Order number **D5500C-USB**

Represented by:

Europe, Middle East, Africa:
Bosch Security Systems B.V.
P.O. Box 80002
5600 JB Eindhoven, The Netherlands
Phone: + 31 40 2577 284
emea.securitysystems@bosch.com
emea.boschsecurity.com

Germany:
Bosch Sicherheitssysteme GmbH
Robert-Bosch-Ring 5
85630 Grasbrunn
Germany
www.boschsecurity.com

North America:
Bosch Security Systems, Inc.
130 Perinton Parkway
Fairport, New York, 14450, USA
Phone: +1 800 289 0096
Fax: +1 585 223 9180
onlinehelp@us.bosch.com
www.boschsecurity.us

Asia-Pacific:
Robert Bosch (SEA) Pte Ltd, Security Systems
11 Bishan Street 21
Singapore 573943
Phone: +65 6571 2808
Fax: +65 6571 2699
apr.securitysystems@bosch.com
www.boschsecurity.asia

TR1850 Transformer

www.boschsecurity.com



BOSCH
Invented for life



Ordering information

TR1850 Transformer

For use in North America. Plug-in transformer with input: 120 VAC, 60 Hz, 0.50 A; output 18 VAC, 50 VA output.

Order number **TR1850**

Accessories

D8004 Transformer Enclosure

For applications such as fire alarm that might require a transformer enclosure.

Order number **D8004**

SDI-2 MOLEX CABLE 10 PACK

Bosch
Model #: B501-10



Overview

Specifications

Marketing Information

Sdi-2 Molex Cable 10 Pack

Information

- Name: Internal Power Cord, Bosch
SDI-2 MOLEX CABLE 10 PACK, Bosch
- Category: Other Power Supplies, Power
- UPC Code: 800549691871

Note: All product information is subject to change without notice.

SDI-2 MOLEX CABLE 10 PACK

Bosch
Model #: B501-10



[Overview](#)

[Specifications](#)

General Information

UPC 800549691871
Weight 0.18 lbs

Note: All product information is subject to change without notice.

D122 Dual Battery Harness

www.boschsecurity.com



BOSCH
Invented for life



The D122 Dual Battery Harness protects the installer and the battery when connecting two batteries, in parallel, to compatible control panels. The D122 eliminates the hazards of batteries connected in parallel by utilizing a thermal circuit breaker to govern the circuit. The positive side of the harness is in series with the circuit breaker. It breaks the electrical circuit of the second battery when the thermal rating is exceeded. This prevents the battery circuit from creating a potentially harmful current overload condition.

Certifications and approvals

Region	Certification
USA	UL AOTX: Local Alarm Units (ANSI/UL 609 and ANSI/UL 464) and APAW: Police-station-connected Alarm Units (ANSI/UL 365 and ANSI/UL 464)
	CSFM see our website

Parts included

Quantity	Component
1	Cable
4	Locknuts

Quantity	Component
4	Screws
4	Battery contacts
2	Adapters
1	Literature – Installation instructions

Technical specifications

Mechanical

Cable length	17 in. (432 mm)
Wire gauge	18 AWG (ISO 0.75 mm ²)

Ordering information

D122 Dual Battery Harness

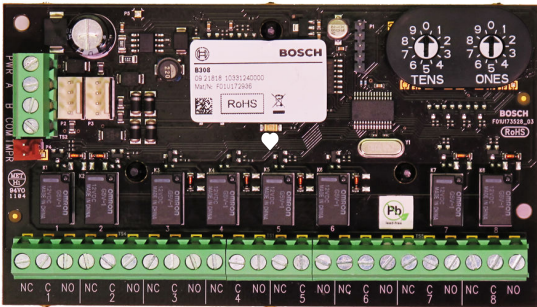
Harness with circuit breaker. Connects two batteries to a compatible control panel.
Order number **D122**

B308 Octo-output Module

www.boschsecurity.com



BOSCH
Invented for life



- ▶ Programmable output functions
- ▶ Easy to read switch addressing
- ▶ Provides eight Form C relays
- ▶ 1 A at 5-24 VDC relay contact rating
- ▶ Allows remote control of outputs

The B308 Octo-output Module is suitable for applications requiring Form C outputs to operate auxiliary systems or to display fire system status at remote annunciators. The B308 can interface with building components such as HVAC, door lock releases, and stairwell pressurization for complete system control and monitoring. Industrial, commercial, and institutional facilities are typical installations for the B308 module. The eight on-board outputs can be programmed to activate on system alarm, system trouble, individual zone or point faults, and through remote control by authorized users.

System overview

The B308 Octo-output Module provides eight programmable outputs. Each relay provides dry contact switching rated for 1.0 A at 5-24 VDC. The outputs are accessed through on-board screw terminal connections.

The B308 is compatible with the SDI2 bus. The on-board switches are used to specify module addresses. Control panel programming will determine output response to specific events.

The B308 receives serial data from the control panel and activates outputs in response to control panel conditions and settings. Outputs can be programmed for remote control from a keypad.

Functions

Output Relays

Each output provides a normally-open and a normally-closed output. Outputs can be configured in control panel programming to indicate system events.

Certifications and approvals

Region	Certification	
Australia	RCM	ACMA
Europe	CE	EMC, RoHS
USA	UL	
	UL	UL 365 - Police Station Connected Burglar Alarm Units
	UL	UL 609 - Standard for Local Burglar Alarm Units and Systems
	UL	UL 864 - Standard for Control Units and Accessories for Fire Alarm Systems
	UL	UL 985 - Household Fire Warning System Units
	UL	UL 1023 - Household Burglar Alarm System Units
	UL	UL 1076 - Proprietary Burglar Alarm Units and Systems

Region	Certification	
	UL	UL 1610 - Central Station Burglar Alarm Units
	CSFM	see our website
	FCC	Part 15 Class B
	FDNY-CoA	6174
	FDNY-CoA	6196
Canada	ULC	CAN/ULC S303 - Local Burglar Alarm Units and Systems
	ULC	CAN/ULC S304 - Standard for Signal Receiving Center and Premise Burglar Alarm
	ULC	ULC-ORD C1023 - Household Burglar Alarm System Units
	ULC	ULC-ORD C1076 - Proprietary Burglar Alarm Units and Systems
	IC	ICES-003 - Information Technology Equipment (ITE)

Installation/configuration notes

Mounting considerations

Mount the B308 Octo-input module onto a variety of control panel enclosures with the compatible control panel or D203 remote enclosure. Remote mounting, at longer distances is a benefit of the new SDI2 bus. Up to four B308 Octo-output Modules can be mounted in a control panel enclosure using the 3-hole mounting pattern. For additional modules, use the optional D137 Mounting Bracket.

Wiring considerations

The B308 connects to a control panel using the PWR, A, B, COM terminals on the control panel using the screw terminal strip or the pluggable interconnect wiring connector. Use 12 AWG to 22 AWG (1.5 mm to 0.6 mm) wires from the module to the control panel. Observe relay specifications (up to 24 VDC), verifying not to exceed the relay ratings.

Compatibility

For UL 864 compliance, use a UL commercial fire approved control panel.

Control panels	B9512G/B9512G-E (Up to 59 modules) B8512G/B8512G-E (Up to 9 modules) B6512 (Up to 9 modules) B5512/B5512E (Up to 5 modules) B4512/B4512E (Up to 3 modules) D9412GV4 (Up to 12 modules) D7412GV4 (Up to 6 modules) D7212GV4 (Up to 2 modules)
----------------	---

Parts included

Quantity	Component
1	Module
1	Hardware pack
1	Interconnect cable
1	Installation manual

Technical specifications

Properties

Dimensions	2.9 in x 5.0 in x 0.60 in (7.35 cm x 12.7 cm x 1.5 cm)
Weight	5 oz (0.14 kg)

Environmental considerations

Relative humidity	5% to 93% at +32°C (+90°F)
Temperature (operating)	0°C to +49°C (+32°F to +120°F)

Power requirements

Current (maximum)	Alarm: 150 mA (22 mA for digital section + 16 mA per energized relay)
Relay outputs	Dry contacts rated for .001 to 1.0 A at 5 to 24 VDC (resistive load).
Voltage	12 VDC nominal

Wiring

Terminal wire size	12 AWG to 22 AWG (2.0 mm to 0.65 mm)
SDI2 wiring	Maximum distance – Wire size (unshielded wire only): 400 ft (137 m) - 22 AWG (0.65 mm) 1000 ft (305 m) - 18 AWG (1.02 mm)

Ordering information

B308 Octo-output Module

Provides 8 programmable relays.
Order number **B308**

Represented by:

Europe, Middle East, Africa:
Bosch Security Systems B.V.
P.O. Box 80002
5600 JB Eindhoven, The Netherlands
Phone: + 31 40 2577 284
emea.securitysystems@bosch.com
emea.boschsecurity.com

Germany:
Bosch Sicherheitssysteme GmbH
Robert-Bosch-Ring 5
85630 Grasbrunn
Germany
www.boschsecurity.com

North America:
Bosch Security Systems, Inc.
130 Perinton Parkway
Fairport, New York, 14450, USA
Phone: +1 800 289 0096
Fax: +1 585 223 9180
onlinehelp@us.bosch.com
www.boschsecurity.us

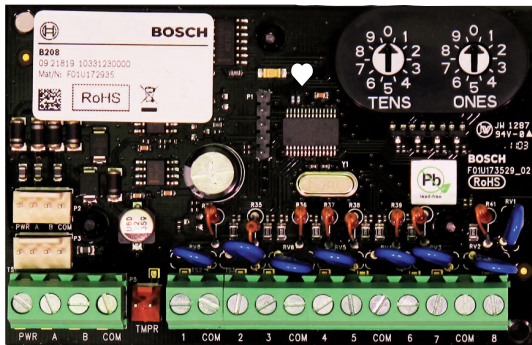
Asia-Pacific:
Robert Bosch (SEA) Pte Ltd, Security Systems
11 Bishan Street 21
Singapore 573943
Phone: +65 6571 2808
Fax: +65 6571 2699
apr.securitysystems@bosch.com
www.boschsecurity.asia

B208 Octo-input Module

www.boschsecurity.com



BOSCH
Invented for life



- ▶ Programmable input point functions
- ▶ Easy to read switch addressing
- ▶ 2 interconnect wiring connectors
- ▶ Provides eight points

The B208 Octo-input Module is an 8 point expansion device that connects to the control panel through the SDI2 bus. This module is fully supervised and communicates back to the control panel all point status changes. The module expansion points operate the same as the points on the control panel. Industrial, commercial, and institutional facilities are typical installations for the B208 module. The B208 connects to the SDI2 bus on the control panel using SDI2 terminals, or using the interconnect cable. You can connect multiple B208 modules to a single control panel. The B208 address switches allow for ease of use in device addressing.

System overview

The B208 Octo-input Module connects to a control panel through the SDI2 bus. This module is supervised and communicates back to the control panel all point status changes. The module's expansion points operate the same as the points on the control panel.

Functions

Loop inputs

The B208 uses up to eight inputs which may be Normally Open (NO), or Normally Closed (NC) with 1k Ω EOL resistor(s) for supervision.

Certifications and approvals

Region	Certification	
Australia	RCM ACMA	
Europe	CE EMC, RoHS	
USA	UL	
	UL	UL 365 - Police Station Connected Burglar Alarm Units
	UL	UL 609 - Standard for Local Burglar Alarm Units and Systems
	UL	UL 636 - Holdup Alarm Units and Systems
	UL	UL 864 - Standard for Control Units and Accessories for Fire Alarm Systems
	UL	UL 985 - Household Fire Warning System Units
	UL	UL 1023 - Household Burglar Alarm System Units
	UL	UL 1076 - Proprietary Burglar Alarm Units and Systems
	UL	UL 1610 - Central Station Burglar Alarm Units
	FM	FM 3010 - Fire Alarm Signaling Systems
CSFM	see our website	

Region	Certification	
	FCC	Part 15 Class B
	FDNY-CoA	6174
	FDNY-CoA	6196
Canada	ULC	CAN/ULC S303 - Local Burglar Alarm Units and Systems
	ULC	CAN/ULC S304 - Standard for Signal Receiving Center and Premise Burglar Alarm
	ULC	ULC-ORD C1023 - Household Burglar Alarm System Units
	ULC	ULC-ORD C1076 - Proprietary Burglar Alarm Units and Systems
	IC	ICES-003 - Information Technology Equipment (ITE)

Installation/configuration notes

Wiring considerations

The module to the control panel using the PWR, A, B, COM terminals on the control panel using the screw terminal strip or the interconnect wiring connector. Use 12 AWG to 22 AWG (1.5 mm to 0.6 mm) wires from the module to the control panel.

Compatibility

For UL 864 compliance, use a UL commercial fire approved control panel.

Control panels	B9512G/B9512G-E (Up to 59 modules) B8512G/B8512G-E (Up to 9 modules) B6512 (Up to 9 modules) B5512/B5512E (Up to 4 modules) B4512/B4512E (Up to 2 modules) D9412GV4 (Up to 24 modules) D7412GV4 (Up to 7 modules) D7212GV4 (Up to 3 modules)
----------------	---

Parts included

Quantity	Component
1	Module
1	Hardware pack
1	Interconnect cable
1	Installation manual

Technical specifications

Properties

Dimensions	2.5 in x 3.8 in x 0.60 in (6.37 cm x 9.6 cm x 1.5 cm)
------------	--

Environmental considerations

Relative humidity	5% to 93% at +32°C (+90°F)
Temperature (operating)	0°C to +49°C (+32°F to +120°F)

Power requirements

Current	35 mA
Voltage	12 VDC nominal

Wiring

SDI2 wiring	Maximum distance – Wire size (unshielded wire only): 1000 ft (305 m) – 22 AWG (0.65 mm) 1000 ft (305 m) – 18 AWG (1.02 mm) Unshielded wire only
-------------	---

Loop inputs

Loop Inputs	Up to eight inputs. Input contacts may be Normally Open (NO) or Normally Closed (NC) with 1kΩ EOL resistor(s) for supervision. Note: Normally Closed (NC) is not permitted in Fire installations.
-------------	---

Ordering information

B208 Octo-input Module

Provides 8 programmable inputs.
Order number **B208**

Represented by:

Europe, Middle East, Africa:
Bosch Security Systems B.V.
P.O. Box 80002
5600 JB Eindhoven, The Netherlands
Phone: + 31 40 2577 284
emea.securitysystems@bosch.com
emea.boschsecurity.com

Germany:
Bosch Sicherheitssysteme GmbH
Robert-Bosch-Ring 5
85630 Grasbrunn
Germany
www.boschsecurity.com

North America:
Bosch Security Systems, Inc.
130 Perinton Parkway
Fairport, New York, 14450, USA
Phone: +1 800 289 0096
Fax: +1 585 223 9180
onlinehelp@us.bosch.com
www.boschsecurity.us

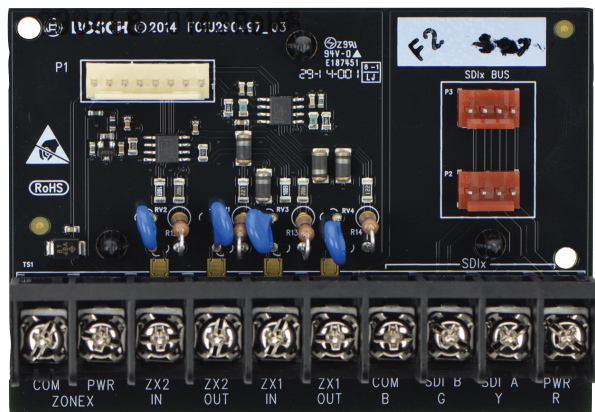
Asia-Pacific:
Robert Bosch (SEA) Pte Ltd, Security Systems
11 Bishan Street 21
Singapore 573943
Phone: +65 6571 2808
Fax: +65 6571 2699
apr.securitysystems@bosch.com
www.boschsecurity.asia

B600 ZONEX retrofit module

www.boschsecurity.com



BOSCH
Invented for life



- ▶ 3-hole mounting footprint and compact size allow for easy installation
- ▶ Provides legacy ZONEX input/output support
- ▶ Compact size
- ▶ Includes two ZONEX busses allowing for continued ZONEX support on a compatible control panel

The B600 Retrofit (ZONEX) Module communicates to the control panel through a proprietary connection, and provides support for two ZONEX busses. Connect the B600 module to the control panel through a proprietary connection.

System overview

Each module installs in the control panel enclosure or in an adjacent approved enclosure. Each ZONEX bus supports up to 15 D8128D modules, and/or up to 8 D8129 Octo-relay modules per bus. D8128D and D8129 modules can be combined on a single ZONEX bus. Total number of modules cannot exceed 15 modules.

Using your existing terminal block wiring strip, retrofitting your current ZONEX devices for use on your new control panel is effortless and easy. Simply remove the existing ZONEX terminal strip from your current control panel, and insert onto the B600.

Functions

The B600 Retrofit (ZONEX) Module gives you the flexibility to continue using legacy ZONEX products with either the B9512G or B8512G control panels.

Certifications and approvals

Region	Regulatory compliance/quality marks	
USA	UL	Underwriters Laboratories
	UL	UL 1023 - Household Burglar Alarm System Units
	UL	UL 1076 - Proprietary Burglar Alarm Units and Systems
	UL	UL 1610 - Central Station Burglar Alarm Units
	UL	UL 365 - Police Station Connected Burglar Alarm Units
	UL	UL 609 - Standard for Local Burglar Alarm Units and Systems
	UL	UL 636 - Holdup Alarm Units and Systems
	UL	UL 864 - Standard for Control Units and Accessories for Fire Alarm Systems (10th edition)
	UL	UL 985 - Household Fire Warning System Units (6th edition)
	UL	UL 294 - Standard for Access Control Units and Systems

Region	Regulatory compliance/quality marks	
	UL	UL 1635 - Standard for Digital Alarm Communicator System Units
	FM	Central Station
	FM	Local Protective Signaling
	FM	Remote Station
	CSFM	California State Fire Marshal (see our website)
	FCC	Part 15 Class B
Canada	ULC	Underwriters Laboratories of Canada
	ULC	CAN/ULC S303 - Local Burglar Alarm Units and Systems
	ULC	CAN/ULC S304 - Standard for Signal Receiving Center and Premise Burglar Alarm
	ULC	CAN/ULC S545 - Residential Fire Warning System Control Units
	ULC	ULC-ORD C1023 - Household Burglar Alarm System Units
	ULC	ULC-ORD C1076 - Proprietary Burglar Alarm Units and Systems
	IC	ICES-003 - Information Technology Equipment (ITE)

Installation/configuration notes

Mounting

Mount the module into the enclosure's 3-hole mounting pattern using the mounting screws and mounting bracket.

Wiring

Use the control panel SDI2 terminals labeled R, Y, G, B (PWR, A, B, COM) when wiring to the module. Connect the control panel terminals to the module terminals labeled R, Y, G, B (PWR, A, B, COM). You can also use the SDI2 interconnect cable.

Compatibility

Accessories	D8125 Zone Expansion Module D8128D OctoPOPIT Eight-point Expander D8129 Octo-relay Module
-------------	---

The B600 ZONEX module includes two ZONEX buses (ZONEX1, ZONEX2).

Compatible module	ZONEX 1	ZONEX 2
D8125 Zone Expansion Module	1	1
D8128D OctoPOPIT Eight-point Expander	15	15
D8129 Octo-relay Module	15	15



Notice

ZONEX, D812x, and POPIT capacities are dependant upon the control panel's specified capacities.

Parts included

Quantity	Component
1	ZONEX module
1	Hardware pack
1	Literature pack
1	ZONEX connection cable

Technical specifications

Properties

Dimensions	2.76 in x 3.86 in x 1.03 in (70.3 mm x 98 mm x 26 mm)
Weight	11.2 oz (0.30 kg)

Environmental considerations

Relative humidity	5% to 93% at +32°C (+90°F)
Temperature (operating)	0°C to +49°C (+32°F to +120°F)

Power requirements

Current	Standby: 12 mA + total device current Alarm: 12 mA + total device current
Voltage (input)	12 VDC nominal

Wiring

Terminal wire size	12 AWG to 22 AWG (2.0 mm to 0.65 mm)
SDI wiring	Use the supplied interconnect cable (P/N: F01U079745)
ZONEX wiring	Use the supplied ZONEX connection cable (P/N: F01U295103)

Ordering information

B600 ZONEX retrofit module

Retrofit (ZONEX) module providing legacy support for ZONEX products with B9512G/B8512G control panels. Order number **B600**

Represented by:

Europe, Middle East, Africa:
Bosch Security Systems B.V.
P.O. Box 80002
5600 JB Eindhoven, The Netherlands
Phone: + 31 40 2577 284
emea.securitysystems@bosch.com
emea.boschsecurity.com

Germany:
Bosch Sicherheitssysteme GmbH
Robert-Bosch-Ring 5
85630 Grasbrunn
Germany
www.boschsecurity.com

North America:
Bosch Security Systems, Inc.
130 Perinton Parkway
Fairport, New York, 14450, USA
Phone: +1 800 289 0096
Fax: +1 585 223 9180
onlinehelp@us.bosch.com
www.boschsecurity.us

Asia-Pacific:
Robert Bosch (SEA) Pte Ltd, Security Systems
11 Bishan Street 21
Singapore 573943
Phone: +65 6571 2808
Fax: +65 6571 2699
apr.securitysystems@bosch.com
www.boschsecurity.asia

B942 Touch Screen Keypad

www.boschsecurity.com



BOSCH
Invented for life



- ▶ Color graphic touch screen display uses a combination of simple icons and text for easy operation
- ▶ Built-in presence detector lights the display when user approaches keypad
- ▶ Built-in proximity reader allows use of a token or card as replacement for a passcode, or for use with dual authentication for high security areas
- ▶ Four inputs and one output provide cost effective expansion
- ▶ Slim, modern design blends with any decor

The keypad is an SDI2 bus compatible device. The keypad features an illuminated touch screen and graphical interface. With an elegant design and low profile, the keypad fits with any modern decor. Each keypad has user adjustable options such as volume and brightness. They have four inputs and one output. The keypad shows system messages for all areas.

Keypad languages

The following languages are available:

- English
- Chinese
- French
- Greek
- Italian
- Hungarian
- Polish
- Portuguese
- Spanish

System overview

- For commercial use, install the keypad in building entrances and areas with unrestricted access. Mounting a keypad near exterior doors in hotel or business lobbies allows people to identify the type and location of the emergency.

- For residential use, install the keypad near the front and rear entrances to the home. Install additional keypads in a kitchen or in a bedroom.
- Use multiple keypads in a large building with many separate areas of security. Program multiple keypads to control multiple areas.
- Audible tones from the keypad sounder alert personnel to fire events and assist fire fighters in locating the keypad.

Functions

Display

The touch screen display uses icons, words, numbers, and symbols to show the status of the security system and for interacting with the security system. When several events occur, the keypad shows each event in order of priority. The keypad detects when a user approaches and automatically activates the display.

User icons and keys

The keypad greets the user with a home screen that shows the system status at one glance using a large icon. The user can change the system status by simply touching this home screen icon. The touch screen display also offers icons on the ribbon bar. These visually pleasing graphical icons are easy to use for






accessing menus and other options. The keypad has a variety of keyboards for entering alphanumeric characters. The keypad screen has numeric keys and one function [CMD] key. When pressed, keys emit a muted beep. Use the keyboards for entering passcodes, activating commands, and entering alphanumeric characters.

Audible tones

The keypad has a built-in speaker that produces several distinct warning tones. The tones are differentiated so that the user can recognize an event simply by hearing its associated tone. The keypad backlight illuminates when it emits an audible tone. Users can use a passcode or credential to silence the tone.

Status indicators

The status indicators on the keypad provide a quick visual reference for system status.

	The indicator lights when the system is ready to turn on (arm).
	The indicator lights when the system is on (armed).
	The indicator lights when there is a trouble condition.
	The indicator lights when dangerous gases are present including carbon monoxide (NFPA 720).
	The indicator lights when the system has power.

Proximity reader

The proximity reader allows users to use a token or card in place of a passcode to turn on or off the security system. The proximity reader supports EM4102 (125 kHz) credentials. The Bosch ACA-ATR13-RFID tag and Bosch ACD-ATR11ISO-RFID card are examples.

Certifications and approvals

Region	Regulatory compliance/quality marks	
Australia	RCM	ACMA
Europe	CE	RED, EMC, LVD, RoHS [B942 B942W]
USA	UL	UL 365 - Police Station Connected Burglar Alarm Units
	UL	UL 609 - Standard for Local Burglar Alarm Units and Systems
	UL	UL 636 - Holdup Alarm Units and Systems
	UL	UL 985 - Household Fire Warning System Units
	UL	UL 1023 - Household Burglar Alarm System Units
	UL	UL 1076 - Proprietary Burglar Alarm Units and Systems
	UL	UL 1610 - Central Station Burglar Alarm Units

Region	Regulatory compliance/quality marks	
	CSFM	see the Bosch website (www.boschsecurity.com)
	FCC	Part 15 Class B
Canada	ULC	CAN/ULC S303 - Local Burglar Alarm Units and Systems
	ULC	CAN/ULC S304 - Standard for Signal Receiving Center and Premise Burglar Alarm
	ULC	CAN/ULC S545 - Residential Fire Warning System Control Units
	ULC	ULC-ORD C1023 - Household Burglar Alarm System Units
	ULC	ULC-ORD C1076 - Proprietary Burglar Alarm Units and Systems
	IC	ICES-003 - Information Technology Equipment (ITE)

Installation/configuration notes

Power supply

A compatible control panel supplies the power and data requirements to the keypad through a four-wire connection.

Mounting and wiring

Mount in dry indoor locations.

Includes a slim mounting plate for recessing wiring, and a surface mounting plate for surface mounting and wiring.

Compatible control panels

B9512G/B9512G-E

B8512G/B8512G-E

B6512

B5512/B5512E firmware v2.03 and higher

B4512/B4512E firmware v2.03 and higher

B3512/B3512E firmware v2.03 and higher

D9412GV4/D7412GV4 v2.03 and higher

Technical specifications

Properties

Dimensions	6.2 in x 4.7 in x 0.65 in (158 mm x 120 mm x 16.5 mm)
Weight	11.3 oz (0.32 kg)
Material	Acrylonitrile butadiene styrene (ABS) Poly(methyl methacrylate) (PMMA)
Display window	Touch screen Multi-line messages
Indicators	Power indicator LED Status indicators Main icon Warning and indicating tones

Inputs	4 (four) 1k Ω supervised inputs
Output	1 (one) NO (normally open) contact

Environmental considerations

Relative humidity	5% to 93% at +32°C (+90°F) non-condensing
Temperature (operating)	0°C to +50°C (+32°F to +122°F)

Power requirements

Current with proximity reader disabled	Standby: 200 mA Alarm: 300 mA
Current with proximity reader enabled	Standby: 300 mA Alarm: 400 mA
Voltage (input)	12 VDC nominal

Wiring

Terminal wire size	18 AWG to 22 AWG (1.02 mm to 0.65 mm)
SDI2 wiring with prox detector disabled	Maximum distance - wire size (unshielded wire only): 200 ft (61 m) - 22 AWG (0.65 mm) 520 ft (159 m) - 18 AWG (1.02 mm)
SDI2 wiring with prox detector enabled	Maximum distance - wire size (unshielded wire only): 150 ft (46 m) - 22 AWG (0.65 mm) 390 ft (119 m) - 18 AWG (1.02 mm)

Inputs and output

On-board points voltage ranges	Open: 2.2 to 5.0 VDC Normal: 1.4 to 1.8 VDC Short: 0.0 to 1.0 VDC Short circuit current: 2.3 mA
Relay contact rating	24 VDC, 1 A, power factor: 1

Ordering information**B942 Touch Screen KP Prox/Input/Output, black**

Black SDI2 touch screen keypad with inputs and one output.

Available languages: English, Chinese, French, Greek, Italian, Hungarian, Polish, Portuguese, Spanish.

Order number **B942**

B942W Touch screen KP, prox/input/output,white

White SDI2 touch screen keypad with inputs and one output.

Available languages: English, Chinese, French, Greek, Italian, Hungarian, Polish, Portuguese, Spanish.

Order number **B942W**

B942-CHI Touch Screen KP Prox/Input/Output, black

Black SDI2 touch screen keypad with inputs and one output.

Available language: Chinese.

Order number **B942-CHI**

B942W-CHI Touch Screen KP Prox/Input/Output, white

White SDI2 touch screen keypad with inputs and one output.

Available language: Chinese.

Order number **B942W-CHI**

Accessories**B56 Keypad surface mount box**

Surface mount box for mounting a keypad to concrete or block.

Order number **B56**

B96 Trim plate for keypad

Cover the wall footprint of previous keypads when replacing them with the new, slim design of B Series keypads. The white trim bezel is 8.6 in x 6.3 in x 0.12 in (22 mm x 16 mm x 3 mm).

Order number **B96**

GV4-ROM-KEY Kit for GV4 version 2.x ROM

Firmware updates current D9412GV4/D7412GV4 v1.xx control panels to GV4 v2.xx.

Order number **GV4-ROM-KEY**

Represented by:

Europe, Middle East, Africa:
Bosch Security Systems B.V.
P.O. Box 80002
5600 JB Eindhoven, The Netherlands
Phone: + 31 40 2577 284
emea.securitysystems@bosch.com
emea.boschsecurity.com

Germany:
Bosch Sicherheitssysteme GmbH
Robert-Bosch-Ring 5
85630 Grasbrunn
Germany
www.boschsecurity.com

North America:
Bosch Security Systems, Inc.
130 Perinton Parkway
Fairport, New York, 14450, USA
Phone: +1 800 289 0096
Fax: +1 585 223 9180
onlinehelp@us.bosch.com
www.boschsecurity.us

Asia-Pacific:
Robert Bosch (SEA) Pte Ltd, Security Systems
11 Bishan Street 21
Singapore 573943
Phone: +65 6571 2808
Fax: +65 6571 2699
apr.securitysystems@bosch.com
www.boschsecurity.asia



ednetics®

IP Video Surveillance

Headquarters

971 S. Clearwater Loop
Post Falls, ID 83854
T 208.777.4709
F 208.777.4708

Washington

1055 NW Maple Street
Issaquah, WA 98027
T 425.200.0200
F 425.200.0201

Washington

1617 S. Washington St. A
Kennewick, WA 99337
T 509.955.2200
F 509.955.2201

Oregon

13535 SW 72nd Ave. Ste. 140
Tigard, OR 97223
T 971.888.7801
F 971.888.7802

Idaho

3070 E Franklin Rd Ste. 301
Meridian, ID 83642
T 208.501.0030
F 208.501.0031

QNV-8080R

5 MP Network IR Dome Camera

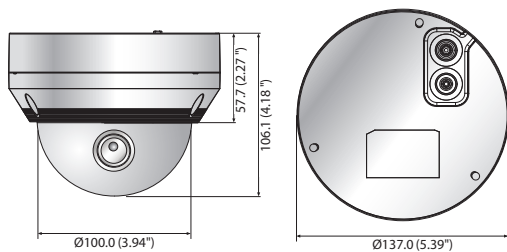


Key Features

- 5 Megapixel (2592 x 1944) resolution
- 3.2~10mm(3.1x) motorized varifocal lens
- 0.15Lux (Color), 0Lux (B/W, IR LED on)
- 30fps@5 MP (H.265 / H.264)
- H.265, H.264, MJPEG codec support, Multiple streaming
- Day & Night, WDR (120dB)
- Defocus detection, Directional/Virtual Line detection, Motion detection, Enter/Exit, Tampering
- Micro SD / SDHC / SDXC memory slot (Maximum 128GB)
- Hallway view, WiseStream II support
- IR Viewable length 30m
- IP66, IK10, PoE

Dimensions

Unit : mm (inch)



Accessories (Optional)



QNV-8080R

VIDEO	
Imaging Device	1/2.8" 5 MP CMOS
Effective Pixels	2592(H) x 1944(V)
Minimum Illumination	Color : 0.15Lux (F1.6, 1/30sec) BW : 0Lux (IR LED on)
Video Out	CVBS : 1.0 Vp-p / 75Ω composite, 720 x 480 for installation
LENS	
Focal Length (Zoom Ratio)	3.2~10mm (3.1x) motorized varifocal
Maximum Aperture Ratio	F1.6 (Wide)~F2.9 (Tele)
Angular Field of View	H : 100.3°(Wide)~31.2°(Tele) / V : 72.3°(Wide)~23.5°(Tele) / H : 133.1°(Wide)~38.8°(Tele)
Focus Control	Simple focus
PAN / TILT / ROTATE	
Pan / Tilt / Rotate Range	0°~350° / 0°~67° / 0°~355°
OPERATIONAL	
IR Viewable Length	30m (98.42ft)
Camera Title	Displayed up to 85 characters, 5 lines, English / Numeric / Special & International characters, 6 colors, Transparency, Auto scale by resolution
Day & Night	Auto (ICR)
Backlight Compensation	BLC, WDR, SSSR
Wide Dynamic Range	120dB
Digital Noise Reduction	SSNR
Motion Detection	4ea, polygonal zones
Privacy Masking	6ea, rectangular zones
Gain Control	Low / Middle / High
White Balance	ATW / AWC / Manual / Indoor / Outdoor
LDC	Support
Electronic Shutter Speed	Minimum / Maximum / Anti flicker (1/5~1/12,000sec)
Video Rotation	Flip, Mirror, Hallway view (90°/270°)
Analytics	Defocus detection, Directional/Virtual Line detection, Motion detection, Enter/Exit, Tampering
Alarm I/O	Input 1ea / Output 1ea
Alarm Triggers	Analytics, Network disconnect, Alarm input
Alarm events	File upload via FTP and e-mail, Notification via e-mail, SD/SDHC/SDXC or NAS recording at event triggers, Alarm output, Handover
NETWORK	
Ethernet	RJ-45 (10/100BASE-T)
Video Compression	H.265/H.264 : Main/High, MJPEG
Resolution	2592 x 1944, 1920 x 1080, 1280 x 960, 1280 x 720, 800 x 600, 800 x 448, 720 x 576, 720 x 480, 640 x 480, 640 x 360
Maximum Framerate	H.265/H.264 : Maximum 30fps MJPEG : Maximum 15fps
Smart Codec	Manual (5ea area), WiseStream II
Video Quality Adjustment	H.264/H.265 : Target bitrate level control / MJPEG : Quality level control
Bitrate Control	H.264/H.265 : CBR or VBR / MJPEG : VBR
Streaming	Unicast (6 users) / Multicast, Multiple streaming (Up to 3 profiles)
Protocol	IPv4, IPv6, TCP/IP, UDP/IP, RTP(UDP), RTP(TCP), RTCP, RTSP, NTP, HTTP, HTTPS, SSL/TLS, DHCP, FTP, SMTP, ICMP, IGMP, SNMPv1/v2c/v3(MIB-2), ARP, DNS, DDNS, QoS, UPnP, Bonjour, LLDP
Security	HTTPS(SSL) login authentication, Digest login authentication, IP address filtering, User access log, 802.1X authentication(EAP-TLS, EAP-LEAP)
Edge Storage	Micro SD/SDHC/SDXC 1 slot maximum 128GB
Application Programming Interface	ONVIF Profile S/G/T SUNAPI (HTTP API) Wisenet open platform
Webpage Language	English, Korean, Chinese, French, Italian, Spanish, German, Japanese, Russian, Swedish, Portuguese, Czech, Polish, Turkish, Dutch

QNV-8080R

Web Viewer	Supported OS : Windows 7, 8.1, 10, Mac OS X 10.10, 10.11, 10.12, 10.13, 10.14 Recommended Browser : Google Chrome Supported Browser : MS Explorer 11, MS Edge, Mozilla Firefox (Windows 64 bit only), Apple Safari (Mac OS X only)
Memory	512MB RAM, 256MB Flash
ENVIRONMENTAL	
Operating Temperature / Humidity	-30°C ~ +55°C (-22°F ~ +131°F) / Less than 90% RH * Start up should be done at above -20°C
Storage Temperature / Humidity	-30°C ~ +60°C (-22°F ~ +140°F) / Less than 90% RH
Certification	IP66, IK10
ELECTRICAL	
Input Voltage	PoE (IEEE802.3af, Class3)
Power Consumption	PoE : Maximum 8.9W, typical 6.6W
MECHANICAL	
Color / Material	White / Aluminum
RAL Code	RAL9003
Product dimensions / weight	Ø137.0 x 106.1mm (Ø5.39 x 4.18"), 700g (1.543 lb)

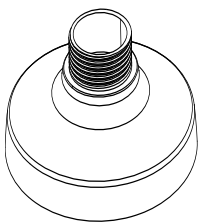
* The latest product information / specification can be found at hanwhasecurity.com
 * Design and specifications are subject to change without notice.
 * Wisenet is the proprietary brand of **Hanwha Techwin**.

Hanging Mount Adaptor

SBP-301HMW2



Package



HANGING MOUNT ADAPTOR



SCREW 3EA

Product Overview

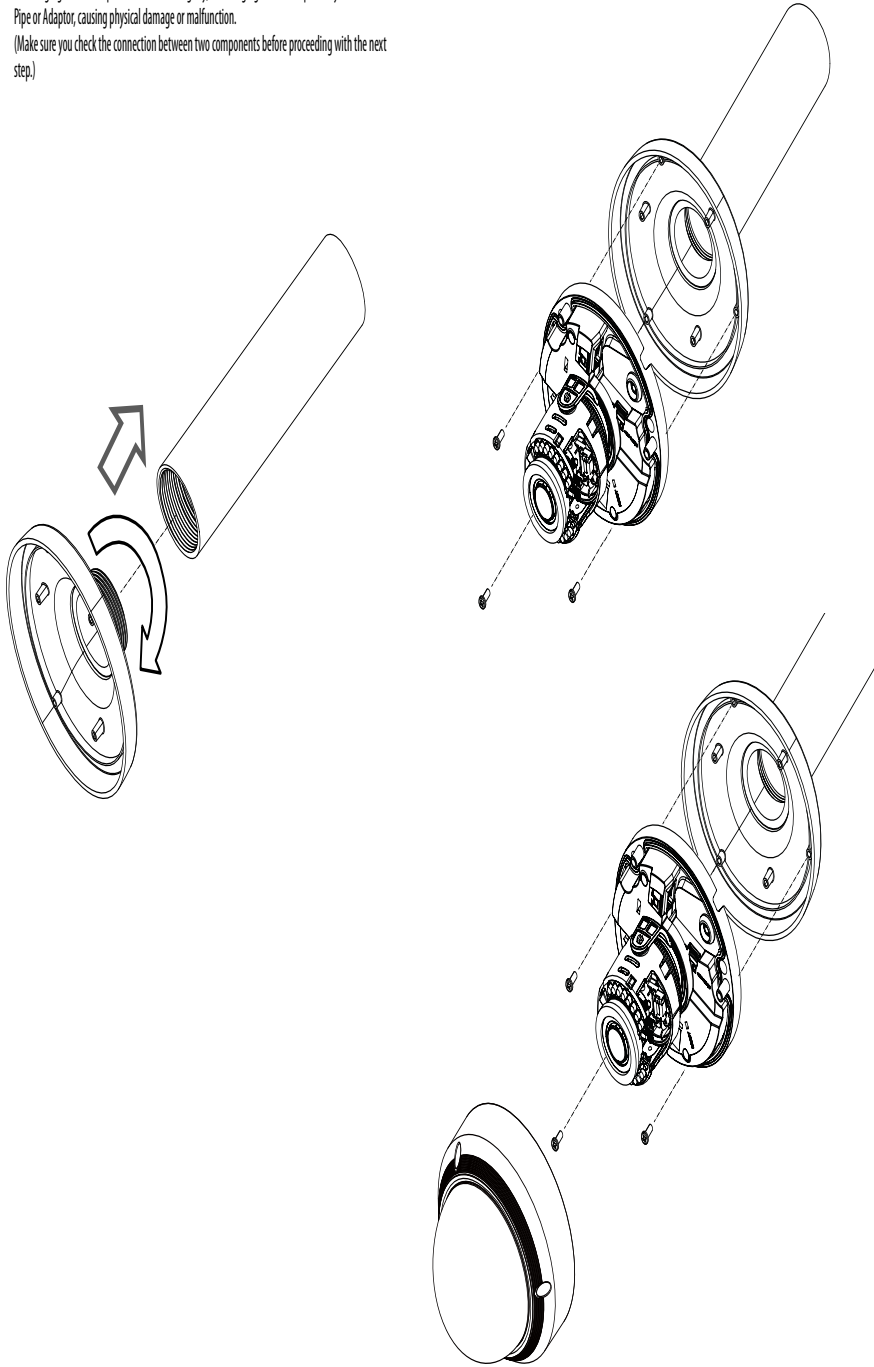
- ENG** This product is used to install the Anti Vandal Camera into the Wall Mount Adaptor (SBP-300MMW1), Ceiling Mount Adaptor (SBP-300CMW).
- FRA** Ce produit permet de monter la caméra anti-vandalisme dans l'adaptateur de fixation murale (SBP-300MMW1) ou l'adaptateur de fixation au plafond (SBP-300CMW).
- GER** Dieses Produkt dient zum Montieren der Anti-Vandalismus-Kamera im Wandadapter (SBP-300MMW1) oder Deckenadapter (SBP-300CMW).
- SPA** Este producto se utiliza para instalar la Cámara antivandálica en el Adaptador de montaje en pared (SBP-300MMW1) o Adaptador de montaje en techo (SBP-300CMW).
- ITA** Questo prodotto è utilizzato per installare la telecamera antivandalismo nell'adattatore per montaggio a parete (SBP-300MMW1) o nell'adattatore per montaggio a soffitto (SBP-300CMW).
- RUS** Этот продукт используется для установки антивандальной видеокамеры на настенный (SBP-300MMW1) или потолочный (SBP-300CMW).
- POL** Ten produkt jest używany do montażu kamer kopułkowych zabezpieczonych przez wandalizmem na przystawce ściiennej (SBP-300MMW1) lub przystawce sufitowej (SBP-300CMW).
- TUR** Bu ürün, Anti Vandal Kameranın Duvara Montaj Adaptörüne (SBP-300MMW1) veya Tavana Montaj Adaptörüne (SBP-300CMW) monte edilmesi için kullanılır.
- CZ** Tento produkt je určen k instalaci protivandalské kamery do adaptéru pro upevnění na stěnu (SBP-300MMW1) nebo adaptéru pro upevnění na strop (SBP-300CMW).
- JAP** この製品を使用して、アンチ・バンダル・カメラを、ウォール・マウント・アダプタ (SBP-300MMW1)、天井取付け用アダプタ (SBP-300CMW) に取り付けます。
- CHI** 本产品用于将 Anti Vandal 摄像机安装到墙上安装适配器 (SBP-300MMW1) 或天花板安装适配器 (SBP-300CMW) 中。
- KOR** 본 제품은 당사 Anti Vandal Camera를 Wall Mount Adaptor (SBP-300MMW1), Ceiling Mount Adaptor (SBP-300CMW)에 설치 시 사용하는 Adaptor 입니다.

Installation Precautions

- Make sure that the installation place can endure at least 4 times of the total weight of the Hanging Mount Adaptor, Camera, and Wall/Ceiling Mount Adaptor.
- The Hanging Mount Adaptor can be also connected to 1-1/2" PF screw-thread pipe as well as to the Wall/Ceiling Mount Adaptor.
- Assurez-vous que l'emplacement de l'installation peut supporter au moins 4 fois le poids total de l'adaptateur pour fixation suspendue, de la caméra et de l'adaptateur de fixation au plafond/mur.
- L'adaptateur pour fixation suspendue peut également être connecté à un tube fileté au pas de 1-1/2 pouce PF ainsi qu'à l'adaptateur de fixation au plafond/mur.
- Stellen Sie sicher, dass der Montageort das 4-fache Gesamtgewicht des Hängeadapters, der Kamera und des Wand-/Deckenadapters tragen kann.
- Der Hängeadapter kann auch in das Rohr mit 1-1/2" PF-Schraubgewinde eingedreht werden, sowie am Wand-/Deckenadapter befestigt werden.
- Asegúrese de que el lugar de instalación puede soportar al menos 4 veces el peso total del adaptador de montaje en suspensión, la cámara y el adaptador de montaje en pared/techo.
- El adaptador de montaje en suspensión también se puede conectar a un tubo con rosca para tornillo PF de 1-1/2 pulg. así como para el adaptador de montaje en pared/techo.
- Assicurarsi che il punto prescelto per l'installazione possa sopportare un peso 4 volte superiore a quello totale di adattatore per montaggio sospeso, videocamera e adattatore per montaggio a parete/a soffitto.
- L'adattatore per montaggio sospeso può anche essere collegato a un tubo filettato PF da 1-1/2" e all'adattatore per montaggio a parete/a soffitto.
- Убедитесь, что место установки выдерживает вес примерно в 4 раза больший общего веса навесного адаптера, камеры, а также адаптера для крепления к стене/потолку.
- Навесной адаптер присоединять и к трубе с резьбой 1-1/2" PF, и к адаптеру для крепления к стене/потолку.
- Upewnij się, że miejsce instalacji może utrzymać ciężar czterokrotnie większy od łącznej wagi Przystawki wiszącej, Kamery, Przystawki ściiennej/sufitowej.
- Przystawkę wiszącą można przymocować do rury o gwinciu 1-1/2" PF oraz do przystawki ściiennej/sufitowej.
- Montaj yerinin Askılı Montaj Adaptörünün, Kamera'nın ve Duvar/Tavan Montaj Adaptörünün toplam ağırlığının en az 4 katına dayanıklı olduğundan emin olun.
- Askılı Montaj Adaptörü ayrıca 1-1/2 inçlik PF vida dişli boruya ve Duvar/Tavan Montaj Adaptörüne de bağlanabilir.
- Ujistěte se, že místo, kam chcete zařízení instalovat, unese nejméně čtyřnásobek součtu hmotnosti závěsného montážního adaptéru, kamery a adaptéru pro upevnění na stěnu.
- Závěsný montážní adaptér lze také připojit k 1-1/2" PF závitové trubici nebo k adaptéru pro upevnění na stěnu nebo strop.
- 設置場所が、ハンギング・マウント・アダプタ、カメラ、およびウォール・マウント/天井取付け用アダプタの合計重量の最大4倍まで耐えられることを確認してください。
- 天井取付け用アダプタは、1-1/2インチのPFネジとウォール・マウント/天井取付け用アダプタにも接続します。
- 請確保安裝位置至少可以承受懸掛支架、攝像機和牆壁/天花板支架總重量的 4 倍的力度。
- 也可以將懸掛支架連接到 1-1/2 英寸 PF 螺紋管和牆壁/天花板支架。
- 설치장소가 Hanging Mount Adaptor, Camera, Wall/Ceiling Mount Adaptor의 총중량의 4배 이상을 충분히 견딜 수 있는 곳에 설치하세요.
- Hanging Mount Adaptor는 Wall/Ceiling Mount Adaptor 외에도 1-1/2" PF 나사산이 가공된 "파이프(Pipe)"에 연결하여 사용 가능합니다.

Installation

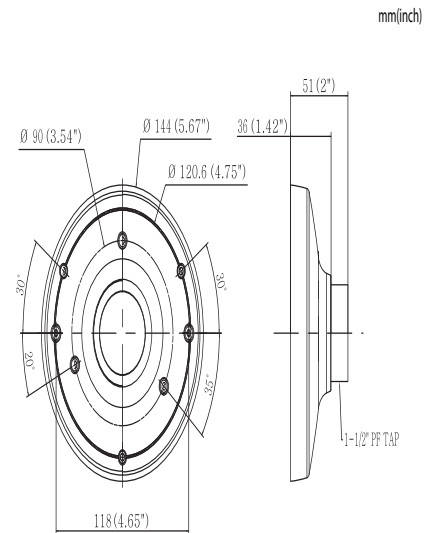
- 1 Insert the Hanging Mount Adaptor to 1-1/2" PF screw-thread (female) pipe or to the Wall/Ceiling Mount Adaptor (SBP-300MMW1/300CMW) and turn it clockwise to secure to the Pipe or Adaptor.
 - Make sure you fix the Pipe or Adaptor so that it reaches to the end of the 1-1/2" PF screw thread on the Hanging Mount Adaptor. If not secured tightly, the Hanging Mount Adaptor may loosen from the Pipe or Adaptor, causing physical damage or malfunction.
(Make sure you check the connection between two components before proceeding with the next step.)
- 2 Install the camera on the Hanging Mount Adaptor.
 - Make sure you insert the camera in the right direction.



Product Specifications

<ul style="list-style-type: none"> • Weight : 193g • Material : Aluminum • Operation temp. : -50°C-60°C • Operation hum. : 0-100% 	<ul style="list-style-type: none"> • Ciepota : 193g • Material : Aluminium • Temperatura robocza : -50°C-60°C • Wilgotność robocza : 0-100%
<ul style="list-style-type: none"> • Poids : 193g • Matériau : Aluminium • Température de fonctionnement : -50°C-60°C • Humidité de fonctionnement : 0-100% 	<ul style="list-style-type: none"> • Ağırık : 193g • Malzeme : Alüminyum • Çalışma sıcaklığı : -50°C-60°C • Çalışma nem değeri : 0-100%
<ul style="list-style-type: none"> • Gewicht : 193g • Material : Aluminium • Betriebstemperatur : -50°C-60°C • Betriebsluftfeuchte : 0-100% 	<ul style="list-style-type: none"> • Hmotnost : 193g • Materiál : Hliník • Provozní teplota : -50°C-60°C • Provozní vlhkost : 0-100%
<ul style="list-style-type: none"> • Peso : 193g • Material : Aluminio • Temp. funcionamiento : -50°C-60°C • Hum. funcionamiento : 0-100% 	<ul style="list-style-type: none"> • 重量 : 193g • 材質 : アルミニウム • 動作温度 : -50°C-60°C • 動作湿度 : 0-100%
<ul style="list-style-type: none"> • Peso : 193g • Materiale : Alluminio • Temperatura di esercizio : -50°C-60°C • Umidità di esercizio : 0-100% 	<ul style="list-style-type: none"> • 重量 : 193g • 材料 : 鋁 • 工作温度 : -50°C-60°C • 工作湿度 : 0-100%
<ul style="list-style-type: none"> • Вес : 193g • Материал : Алюминий • Температура при работе : -50°C-60°C • Влажность при работе : 0-100% 	<ul style="list-style-type: none"> • 무게 : 193g • 재질 : Aluminum • 사용 온도 : -50°C-60°C • 사용 습도 : 0-100%

Product Outline



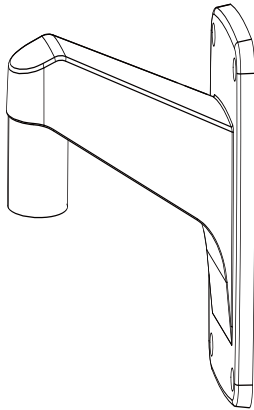
PT01-005169B

Wall Mount Adaptor

SBP-300WMW1



Package



WALL MOUNT ADAPTOR

Product Overview

- ENG** This product is used to install the Smart Dome Camera and Anti Vandal Camera on a wall or vertical structure.
- FRA** Ce produit permet de monter la caméra SmartDome et la caméra anti-vandalisme sur un mur ou une structure verticale.
- GER** Dieses Produkt dient zum Montieren der SmartDome-Kamera und der Anti-Vandalismus-Kamera an einer Wand oder einem senkrechten Untergrund.
- SPA** Este producto se utiliza para instalar la Cámara Domo inteligente y la Cámara antivandálica en una pared o en una estructura vertical.
- ITA** Questo prodotto è utilizzato per installare la videocamera Smart Dome e la telecamera antivandalismo su una parete o su una struttura verticale.
- RUS** Этот продукт используется для установки купольной видеокамеры Smart Dome и антивандальной видеокамеры на стену или вертикальную поверхность.
- POL** Ten produkt jest używany do montażu kamer kopułkowych i kamer kopułkowych zabezpieczonych przez wandalizmem na ścianie lub konstrukcji pionowej.
- TUR** Bu ürün, duvara veya dikey bir yapıya Smart Dome Kamera ve Anti Vandal Kamera kurulumu için kullanılır.
- CZ** Tento produkt je určen k instalaci kupolové kamery Smart a protivandalské kamery na stěnu nebo svislou strukturu.
- JAP** この製品を使用して、スマート・ドーム・カメラとアンチ・バンダル・カメラを壁または垂直な面に設置します。
- CHI** 本产品用于在墙上或垂直结构上安装 Smart Dome 摄像机和 Anti Vandal 摄像机。
- KOR** 본 제품은 벽 또는 수직 구조물에 영사 Smart Dome Camera, Anti Vandal Camera 설치 시 사용하는 Adaptor입니다.

Installation Precautions

- Make sure that the installation place can endure at least 4 times of the total weight of the Wall Mount Adaptor, Hanging Mount Adaptor, and Camera.
- This product is designed to use M10 Anchor Bolts (Nuts) for the installation.
- For a concrete wall, it is recommended to use M10 Anchor Bolts (Nuts) along with plain and spring washers.
- Each anchor bolt must be capable of withstanding an extraction force of 700 kg.
- When installing the product outdoors, use interlocking devices made of stainless steel.
- Assurez-vous que l'emplacement de l'installation peut supporter au moins 4 fois le poids total de l'adaptateur de fixation murale, de l'adaptateur pour fixation suspendue et de la caméra.
- Pour installer ce produit, vous avez besoin de boulons d'ancrage M10 (écrous à river) avec rondelles de ressort et plates.
- Chaque boulon doit pouvoir résister à une force d'extraction de 700 kg.
- Si vous installez le produit à l'extérieur, utilisez des dispositifs de verrouillage en acier inoxydable.
- Stellen Sie sicher, dass der Montageort das 4-fache Gesamtgewicht des Wand- bzw. Hängeadapters und der Kamera tragen kann.
- Bei der Montage dieses Produkts benötigt man Ankerbolzen und Muttern (M10).
- Bei einer Betonwand wird die Verwendung von M10 Ankerbolzen (Muttern) und von Unterlegbzw. Spannscheiben empfohlen.
- Jeder Ankerbolzen muss einer Ausziehkraft von 700 kg standhalten können.
- Wenn das Produkt im Freien montiert wird, müssen Verriegelungseinrichtungen aus Edelstahl verwendet werden.
- Asegúrese de que el lugar de instalación puede soportar al menos 4 veces el peso total del adaptador de montaje en pared, el adaptador de montaje en suspensión y la cámara.
- Este producto se ha diseñado para utilizar tornillos de anclaje M10 (tuercas) para la instalación.
- En un muro de hormigón, se recomienda utilizar pernos de anclaje M10 (tuercas) junto con arandelas planas y de muelle.
- Cada perno de anclaje debe tener la capacidad de soportar una fuerza de extracción de 700 kg.
- Al instalar el producto en exteriores, utilice dispositivos de interbloqueo de acero inoxidable.
- Assicurarsi che il punto prescelto per l'installazione possa sopportare un peso 4 volte superiore a quello totale di adattatore per montaggio a parete, adattatore per montaggio sospeso e videocamera.

- Questo prodotto è progettato per utilizzare bulloni di ancoraggio M10 (dadi) per l'installazione.
- Per una parete in calcestruzzo, si raccomanda di utilizzare bulloni di ancoraggio M10 (dadi) con rondelle piane e elastiche.
- Ogni bullone di ancoraggio deve poter resistere ad una forza di estrazione di 700 kg.
- Per installare il prodotto all'aperto, utilizzare dispositivi di ancoraggio in acciaio inossidabile.
- Убедитесь, что место установки выдерживает вес примерно в 4 раза больший общего веса навесного, настенного адаптера и камеры.
- Для установки этого продукта необходимо использовать крепежные болты (гайки) M10.
- Для установки на стену рекомендуется использовать крепежные болты (гайки) M10 вместе с пружинными и плоскими шайбами.
- Необходимо, чтобы каждый крепежный болт мог выдержать силовую отдачу в 700 кг.
- Если продукт устанавливается вне помещения, необходимо использовать устройство блокировки из нержавеющей стали.
- Upewnij się, że miejsce instalacji może utrzymać ciężar czterokrotnie większy od łącznej wagi Przystawki ściennej, Przystawki wiszącej i Kamery.
- Produkt ten należy montować za pomocą kotew (nakrętek) M10.
- W przypadku ściany betonowej zalecane są kotwy (nakrętki) M10 oraz podkładki zwykłe i sprężyste.
- Każda kotwa musi mieć zdolność wytrzymałości siły wyciągania 700 kg.
- W przypadku montażu produktu na zewnątrz należy używać blokad ze stali nierdzewnej.
- Montaj yerinin Duvar Montaj Adaptörünü, Askılı Montaj Adaptörünü ve Kamera'nın toplam ağırlığının en az 4 katına dayanıklı olduğundan emin olun.
- Bu ürün, M10 ankrak çvatalarıyla (somunlar) biriktire kullanılmak için tasarlanmıştır.
- Beton duvara, düz ve yayılı rondelaya sahip M10 ankrak çvatalarını (somunları) kullanılması önerilir.
- Her ankrak çvatası, 700 kg güce dayanabilmelidir.
- Ürünü dış mekana kurarken, paslanmaz çelikten yapılmış iç kilit mekanizmasını kullanın.
- Ujistěte se, že místo, kam chcete zařízení instalovat, unese nejméně čtyřnásobek součtu hmotnosti adaptéru pro upevnění na stěnu, závěsného montážního adaptéru a kamery.
- Tento produkt je navržen pro použití kotvících šroubů a matic M10 při instalaci.
- U betonových stěn se doporučuje použít kotvěvní šrouby a matice M10 spolu s plochými a pérovými podložkami.
- Každý kotvěvní šroub musí být schopen odolat tahu 700 kg.
- Při instalaci produktu ve venkovních prostorech použijte zajišťovací prvky z nerezové oceli.
- 設置場所が、ウォール・マウント・アダプタ、ハンギング・マウント・アダプタ、およびカメラの合計重量の最大4倍まで耐えられることを確認してください。
- この製品は、M10アンカー・ボルト(ナット)を使用して設置します。
- コンクリート製の壁に設置する場合は、M10アンカー・ボルト(ナット)とともに、平ワッシャーおよびスプリング・ワッシャーを使用することをお勧めします。
- 各アンカー・ボルトは、700kgの抜出力に耐えられます。
- この製品を屋外に設置する場合は、ステンレス製の連動装置を使用してください。
- 請確保安裝位置至少可以承受墙上安裝适配器、悬挂安裝适配器和摄像机总重量的4倍的力度。
- 本产品设计为使用 M10 固定螺丝(螺母) 进行安裝。
- 对于混凝土墙，建议将 M10 固定螺丝(螺母) 与扁平有弹性的垫圈结合使用。
- 每个固定螺丝都必须能够抵抗 700 公斤拔出力度。
- 在室外安裝产品时，请使用不锈钢制作的联锁装置。
- 설치장소가 Wall Mount Adaptor, Hanging Mount Adaptor, Camera 의 총중량의 4배 이상을 충분히 견딜 수 있는 곳에 설치하세요.
- 이 제품은 M10의 양카 볼트(너트)를 사용하도록 설계되어 있습니다.
- 콘크리트벽에 설치할 경우 M10 의 양카 볼트(너트)를 평와셔 및 스프링와셔와 함께 사용하세요.
- 설치된 각각의 양카 볼트는 700kg의 발거력에 견디어야 합니다.
- 옥외에 설치 시 체결류는 스테인레스 재질을 사용하세요.

PNM-9085RQZ

5MP x 4CH IR PTRZ Multi-directional Camera



Key Features

- Motorized PTRZ support
- 30fps@5MP(H.265, H.264)
- 4.13~9.4mm(2.3x) motorized varifocal lens
- IR viewable length : 30m
- H.265, H.264, MJPEG codec, Multi streaming
- Video analytics, WiseStream II
- IP66, IK10, NEMA4X
- IEEE 802.3bt Type 3 HPoE, injector included

Accessories (Optional)



SBP-390WMW2



SBP-317HMW



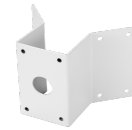
SBP-302CMB



SBP-300LMW



SBP-300NBW



SBP-300KMW



SBP-300PMW



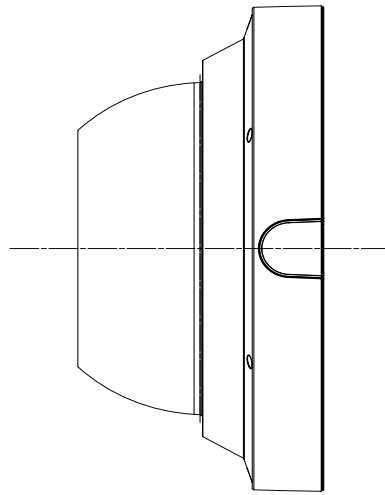
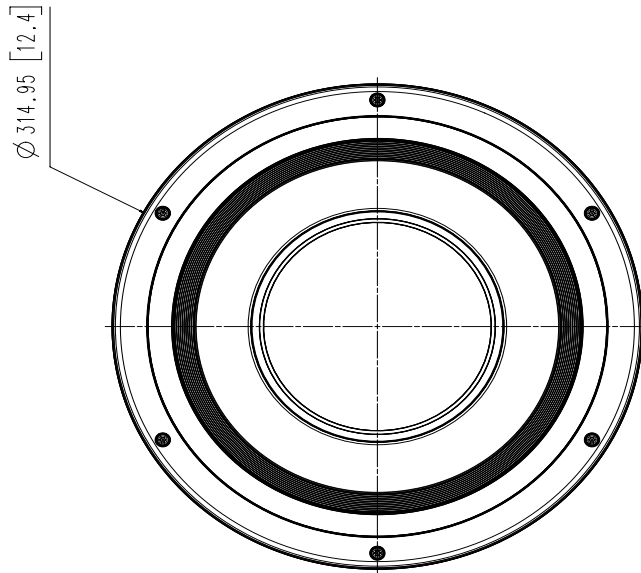
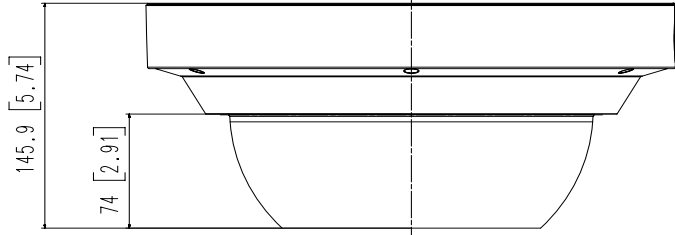
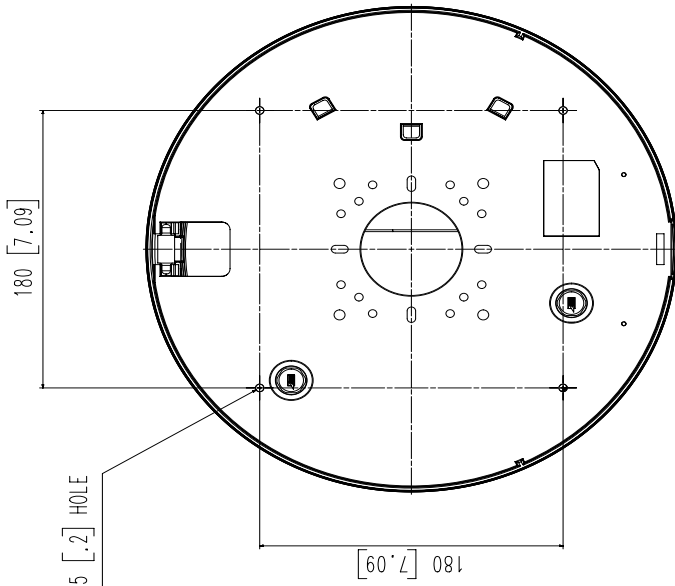
SBP-300CMW

Video	
Imaging Device	1/1.8" 5MP CMOS x 4CH
Resolution	2560x1920, 2560x1440, 1920x1080, 1600x1200, 1280x1024, 1280x960, 1280x720, 1024x768, 800x600, 800x448, 720x576, 720x480, 640x480, 640x360, 320x240
Maximum Framerate	30fps/25fps (60Hz/50Hz) at all resolutions
Minimum Illumination	Color: 0.11lux (F1.6, 30 IRE) BW: 0Lux (IR LED on)
Lens	
Focal Length (Zoom Ratio)	4.13~9.4mm (2.3x) motorized varifocal
Maximum Aperture Ratio	F1.92 (Wide) ~ F2.67 (Tele)
Angular Field of View	H: 87.58° (Wide) ~ 37.34° (Tele) / V: 64.58° (Wide) ~ 28.04° (Tele) / D: 112.46° (Wide) ~ 46.85° (Tele)
Minimum Object Distance	1.2m (3.94ft)
Focus Control	Simple focus
Lens Type	DC auto iris
Pan / Tilt / Rotate	
Pan / Tilt / Rotate Range	Remote adjustment (Max. 200cycles) 0~360° / 35~80° / 0~90°
Operational	
Camera Title	Displayed up to 85 characters
Day & Night	Auto (ICR)
Backlight Compensation	BLC, HLC, WDR, SDR
Wide Dynamic Range	120dB
Digital Noise Reduction	SSNRV
Digital Image Stabilization	Support
Defog	Support
Motion Detection	8ea, 8point polygonal zones
Privacy Masking	32ea, polygonal zones - Color: Grey, Green, Red, Blue, Black, White - Mosaic
Gain Control	Low / Middle / High
White Balance	ATW / AWC / Manual / Indoor / Outdoor
LDC	Support
Electronic Shutter Speed	Minimum / Maximum / Anti flicker (2~1/12,000sec)
Video Rotation	Flip, Mirror
Analytics	Defocus detection, Directional detection, Fog detection, Face detection, Motion detection, Appear/Disappear, Enter/Exit, Loitering, Tampering, Virtual line, Audio detection
Alarm I/O	Input 1ea / Output 1ea
Alarm Triggers	Analytics, Network disconnect, Alarm input

Alarm Events	File upload via FTP and e-mail Notification via e-mail SD/SDHC/SDXC at event triggers Alarm output Handover
Audio In	Selectable (microphone in/line in) Supply voltage: 2.5VDC(4mA), Input impedance: 2K Ohm
Audio Out	Line out, Maximum output level: 1Vrms
Network	
Ethernet	Metal shielded RJ-45(10/100/1000BASE-T)
Video Compression	H.265/H.264: Main/Baseline/High, MJPEG
Audio Compression	G.711 u-law /G.726 G.726(ADPCM) 8KHz, G.711 8KHz G.726: 16Kbps, 24Kbps, 32Kbps, 40Kbps AAC-LC: 48Kbps at 16KHz
Smart Codec	Manual(5ea area), WiseStream II
Bitrate Control	H.264/H.265: CBR or VBR MJPEG: VBR
Streaming	Unicast(20 users) / Multicast Multiple streaming(Up to 10 profiles)
Protocol	IPv4, IPv6, TCP/IP, UDP/IP, RTP(UDP), RTP(TCP), RTCP, RTSP, NTP, HTTP, HTTPS, SSL/TLS, DHCP, FTP, SMTP, ICMP, IGMP, SNMPv1/v2c/v3(MIB-2), ARP, DNS, DDNS, QoS, PIM-SM, UPnP, Bonjour, LLDP
Security	HTTPS(SSL) Login Authentication Digest Login Authentication IP Address Filtering User access log 802.1X Authentication(EAP-TLS, EAP-LEAP) Device Certificate(Hanwha Techwin Root CA)
Application Programming Interface	ONVIF Profile S/T SUNAPI(HTTP API) Wisenet open platform
General	
Webpage Language	English, Korean, Chinese, French, Italian, Spanish, German, Japanese, Russian, Swedish,, Portuguese, Czech, Polish, Turkish, Dutch, Hungarian, Greek
Edge Storage	Micro SD/SDHC/SDXC 4 slots maximum 256GB each, per channel
Memory	5GB RAM, 1280MB Flash
Environmental & Electrical	
Operating Temperature / Humidity	-40°C~+55°C(-40°F~+131°F) / Less than 90% RH
Storage Temperature / Humidity	-50°C~+60°C(-58°F~+140°F) / Less than 90% RH
Certification	IP66, IK10, NEMA4X
Input Voltage	HPoE(IEEE802.3bt, Class6, Type3, Injector included), 12VDC
Power Consumption	PoE: Maximum 45 W, Typical 33.7 W 12VDC: Maximum 42 W, Typical 32 W
Mechanical	
Color / Material	White / Aluminum

RAL Code	RAL9003
Product Dimensions / Weight	Ø315x145.9 mm (12.40"x5.74") / 5.2 kg (11.5lb), compatible gangboxes: Single, Double 4" Square, 4" Octagon
DORI (EN62676-4 standard)	
Detect (25PPM/ 8PPF)	Wide: 53.4m (175.2ft) / Tele: 151.5m (497.1ft)
Observe (63PPM/ 19PPF)	Wide: 21.4m (70.1ft) / Tele: 60.6m (198.9ft)
Recognize (125PPM/ 38PPF)	Wide: 10.7m (35.0ft) / Tele: 30.3m (99.4ft)
Identify (250PPM/ 76PPF)	Wide: 5.3m (17.5ft) / Tele: 15.2m (49.7ft)

- The latest product information / specification can be found at hanwhasecurity.com
- Design and specifications are subject to change without notice.
- Wisenet is the proprietary brand of Hanwha Techwin, formerly known as Samsung Techwin.






1	PNM-9084RQZ, PNM-9085RQZ	*19.10.01	
No.	MODEL NAME	DATE	
Unit:mm[inch]		SCALE:1/1	© Hanwha Techwin

© Hanwha Techwin Co.,Ltd. All rights reserved.

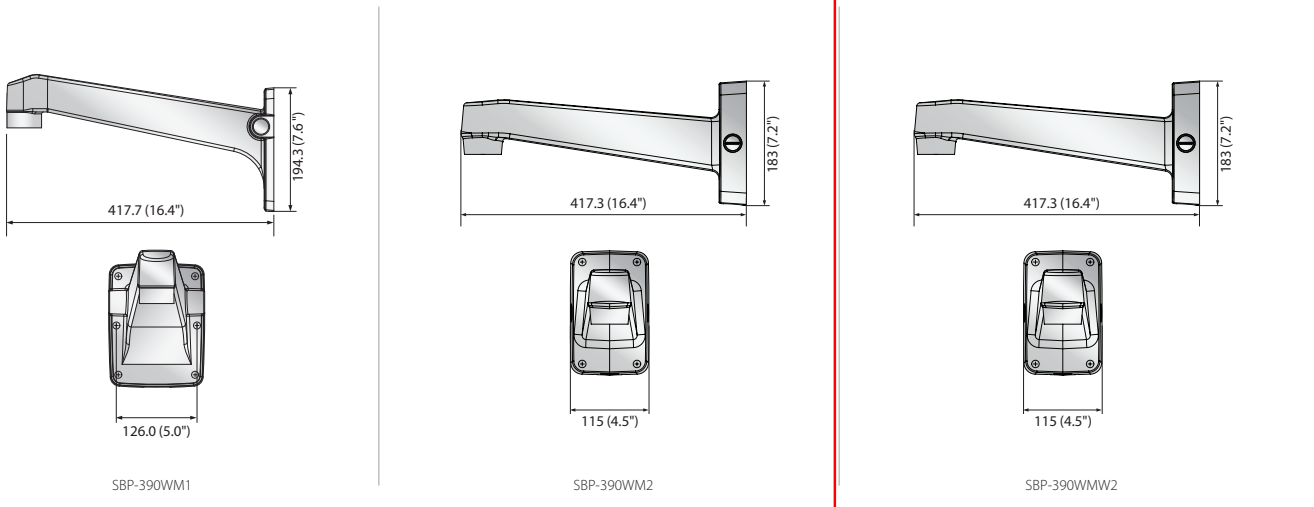
© 2021 Hanwha Techwin Co., Ltd. All rights reserved. 01-2021

Wall Mounts

			
	Wall Mount	Wall Mount	Wall Mount
	SBP-390WM1	SBP-390WM2	SBP-390MMW2
Materials	Aluminum	Aluminum	Aluminum
Dimensions (WxHxD)	126.0 x 194.3 x 417.7mm (5.0" x 7.6" x 16.4")	115.0 x 183.0 x 417.3mm (4.5" x 7.2" x 16.4")	115.0 x 183.0 x 417.3mm (4.5" x 7.2" x 16.4")
Pipe Thread	1½" PT TAP	1½" PT TAP	1½" PT TAP
Weight	1.65Kg (3.64 lb)	1.79Kg (3.95 lb)	1.79Kg (3.95 lb)
Color	Ivory	Ivory	White
Applicable Model	SBP-317HM SBP-329HM SBP-276HM SBP-300HM6 SBP-201HM PNM-9080VQ PNM-9081VQ PNM-7000VD PNM-9030V PNM-9000VQ PNM-9020V PNM-9320VQP HCM-9020VQ	SBP-317HM SBP-329HM SBP-276HM SBP-300HM6 SBP-201HM SBP-300PM SBP-300KM PNM-9080VQ PNM-9081VQ PNM-7000VD PNM-9030V PNM-9000VQ PNM-9020V PNM-9320VQP HCM-9020VQ	SBP-317HM SBP-329HM SBP-276HM SBP-300HM6 SBP-201HM SBP-300PM SBP-300KM PNM-9080VQ PNM-9081VQ PNM-7000VD, PNM-9000VD PNM-9030V PNM-9000VQ PNM-9020V PNM-9320VQP HCM-9020VQ

* The latest product information / specification can be found at hanwhasecurity.com
 * Design and specifications are subject to change without notice.
 * Wisenet is the proprietary brand of Hanwha Techwin.

Dimensions



Corner Mount Adaptor Pole Mount Adaptor

SBP-300KM (IVORY)
SBP-300PM (IVORY)
SBP-300KMW (WHITE)
SBP-300PMW (WHITE)



Package

SBP-300KM/SBP-300KMW



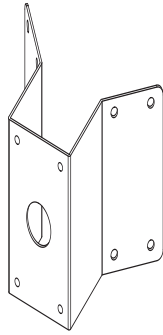
STAINLESS BOLT
(M10xL30) 4EA



SPRING WASHER 4EA



PLAIN WASHER 4EA



CORNER MOUNT ADAPTOR

SBP-300PM/SBP-300PMW



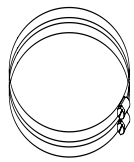
STAINLESS BOLT
(M10xL30) 4EA



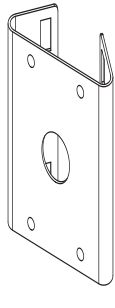
SPRING WASHER 4EA



PLAIN WASHER 4EA



STAINLESS STEEL
MOUNT STRAP



POLE MOUNT ADAPTOR

Product Overview

- ENG** SBP-300KM/SBP-300KMW: This is an adaptor that is used to install the Wall Mount Adaptor in a corner of the wall.
SBP-300PM/SBP-300PMW: This product is used to install the Wall Mount Adaptor onto a pole of at least 80 mm in diameter.
- FRA** SBP-300KM/SBP-300KMW: Adaptateur permettant d'installer l'adaptateur de fixation murale dans l'angle du mur.
SBP-300PM/SBP-300PMW: Ce produit permet de monter l'adaptateur de fixation murale sur un pylône d'au moins 80 mm de diamètre.
- GER** SBP-300KM/SBP-300KMW: Das ist ein Adapter, der zur Montage des Wandadapters in einer Wandecke verwendet wird.
SBP-300PM/SBP-300PMW: Dieses Produkt dient zum Montieren des Wandadapters an einem Mast mit einem Durchmesser von mind. 80 mm.
- SPA** SBP-300KM/SBP-300KMW: Este es un adaptador que se utiliza para instalar el adaptador de montaje en pared en una esquina de un muro.
SBP-300PM/SBP-300PMW: Este producto se utiliza para instalar el Adaptador de montaje en pared en un poste de al menos 80 mm de diámetro.
- ITA** SBP-300KM/SBP-300KMW: Questo è un adattatore utilizzato per installare l'adattatore per montaggio a parete in un angolo della parete.
SBP-300PM/SBP-300PMW: Questo prodotto è utilizzato per installare l'adattatore per montaggio a parete su un palo di almeno 80 mm di diametro.
- RUS** SBP-300KM/SBP-300KMW: этот переходник используется для установки настенного адаптера в углу.
SBP-300PM/SBP-300PMW: этот продукт используется для установки настенного кронштейна на столб, минимальный диаметр которого составляет 80 мм.
- POL** SBP-300KM/SBP-300KMW: Ta przystawka używana jest do montowania Przystawki ściennej w kącie pomiędzy ścianami.
SBP-300PM/SBP-300PMW: Ten produkt jest używany do montażu przystawek ściennych na słupie o średnicy co najmniej 80 mm.
- TUR** SBP-300KM/SBP-300KMW: Bu, Duvar Montaj Adaptörünü duvar köşelerine monte etmek için kullanılır bir adaptördür.
SBP-300PM/SBP-300PMW: Bu ürün, Duvara Montaj Adaptörünü en az 80 mm çapa sahip bir direğe monte etmek için kullanılır.
- CZ** SBP-300KM/SBP-300KMW: Adaptér určený k instalaci adaptéru pro upevnění na stěnu do rohu na stěně.
SBP-300PM/SBP-300PMW: Tento produkt je určen k instalaci adaptéru pro upevnění na stěnu na stožár o průměru alespoň 80 mm.
- JAP** SBP-300KM/SBP-300KMW: ウォール・マウント・アダプタを壁に設置するために使用するアダプタです。
SBP-300PM/SBP-300PMW: この製品を使用して、ウォール・マウント・アダプタを直径が80mmを超える柱に設置します。
- CHI** SBP-300KM/SBP-300KMW: 这是用于在墙角安装墙上安装适配器的适配器。
SBP-300PM/SBP-300PMW: 本产品用于将墙上安装适配器 安装到直径至少为 80 毫米的柱子上。
- KOR** SBP-300KM/SBP-300KMW: 본 제품은 벽의 모서리부에 Wall Mount Adaptor를 설치 시 사용하는 Adaptor입니다.
SBP-300PM/SBP-300PMW: 본 제품은 80mm이상의 원기둥에 Wall Mount Adaptor를 설치 시 사용하는 Adaptor입니다.

Installation Precautions

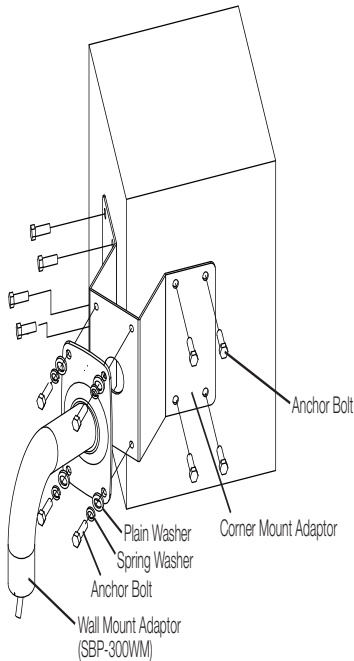
- Make sure that the installation place can endure at least 4 times of the total weight of the Corner/Pole Mount Adaptor, Wall Mount Adaptor, Hanging Mount Adaptor, and Camera.
- Each anchor bolt to use must be capable of withstanding an extraction force of 700 kg.
- When installing the product outdoors, use interlocking devices made of stainless steel.
- This product is designed to use M10 Anchor Bolts (Nuts) for the installation.
- If you install the Corner Mount Adaptor on a concrete wall, it is recommended to use M10 Anchor Bolts (Nuts) along with plain and spring washers.
- Assurez-vous que l'emplacement de l'installation peut supporter au moins 4 fois le poids total de l'adaptateur de fixation sur pylône/d'angle, de l'adaptateur de fixation murale, de l'adaptateur pour fixation suspendue et de la caméra.
- Chaque boulon utilisé doit pouvoir résister à une force d'extraction de 700 kg.
- Si vous installez le produit à l'extérieur, utilisez des dispositifs de verrouillage en acier inoxydable.
- Pour installer ce produit, vous avez besoin de boulons d'ancrage M10 (écrous à river).
- Si vous fixez l'adaptateur de fixation murale sur un mur en béton, nous vous conseillons d'utiliser des boulons d'ancrage M10 (écrous à river) avec rondelles de ressort et plates.

- Stellen Sie sicher, dass der Montageort das 4-fache Gesamtgewicht der Eck-/Masthalterung, des Wand- bzw. Hängeadapters und der Kamera tragen kann.
- Jeder Ankerbolzen muss einer Ausziehkraft von 700 kg standhalten können.
- Wenn das Produkt im Freien montiert wird, müssen Verriegelungseinrichtungen aus Edelstahl verwendet werden.
- Bei der Montage dieses Produkts benötigt man Ankerbolzen und Muttern (M10).
- Wenn Sie die Eckhalterung an einer Betonwand befestigen, wird die Verwendung von M10 Ankerbolzen (Muttern) und von Unterleg- bzw. Spanscheiben empfohlen.
- Asegúrese de que el lugar de instalación puede soportar al menos 4 veces el peso total del adaptador de montaje en esquina/poste, el adaptador de montaje en pared, el adaptador de montaje en suspensión y la cámara.
- Cada perno de anclaje debe tener la capacidad de soportar una fuerza de extracción de 700 kg.
- Al instalar el producto en exteriores, utilice dispositivos de interbloqueo de acero inoxidable.
- Este producto se ha diseñado para utilizar tornillos de anclaje M10 (tuercas) para la instalación.
- Si instala el adaptador de montaje en esquina en un muro de hormigón, se recomienda utilizar pernos de anclaje M10 (tuercas) junto con arandelas planas y de muelle.
- Assicurarsi che il punto prescelto per l'installazione possa sopportare un peso 4 volte superiore a quello totale di adattatore per montaggio ad angolo/su palo, adattatore per montaggio a parete, adattatore per montaggio sospeso e videocamera.
- Ogni bullone di ancoraggio da utilizzare deve poter resistere ad una forza di estrazione di 700 kg.
- Per installare il prodotto all'aperto, utilizzare dispositivi di ancoraggio in acciaio inossidabile.
- Questo prodotto è progettato per utilizzare bulloni (dadi) di ancoraggio M10 per l'installazione.
- Se si installa l'adattatore per montaggio ad angolo su un muro di cemento, si raccomanda di utilizzare bulloni (dadi) di ancoraggio M10 con rondelle piane ed elastiche.
- Убедитесь, что место установки выдерживает вес примерно в 4 раза больший общего веса углового адаптера/для крепления к колонне, а также навесного адаптера и камеры.
- Каждый используемый крепежный болт должен выдерживать силу извлечения, равную 700 кг.
- Если продукт устанавливается вне помещения, необходимо использовать устройство блокировки из нержавеющей стали.
- Для установки этого продукта используются крепежные болты (гайки) M10.
- При установке углового адаптера на бетонной стене рекомендуется использовать крепежные болты (гайки) M10, а также плоские и пружинные шайбы.
- Upewnij się, że miejsce instalacji może utrzymać ciężar czterokrotnie większy od łącznej wagi Przystawki do montażu na słupie/przystawki kątownej, Przystawki ściennej, Przystawki wiszącej i Kamery.
- Każda kotwa musi mieć zdolność wytrzymałości siły wyciągania 700 kg.
- W przypadku montażu produktu na zewnątrz należy używać blokad ze stali nierdzewnej.
- Produkt ten należy montować za pomocą kotew (nakrętek) M10.
- W przypadku montażu Przystawki kątownej na ścianie betonowej zalecane są kotwy (nakrętki) M10 oraz podkładki zwykłe i sprężyste.
- Montaj yerinin Köşe/Direk Montaj Adaptörünün, Duvar Montaj Adaptörünün, Askılı Montaj Adaptörünün ve Kamera'nın toplam ağırlığının en az 4 katına dayanıklı olduğundan emin olun.
- Kullanılacak her ankraj civatası, 700 kg'lık bir çekme kuvvetine dayanıklı olmalıdır.
- Ürünü dış mekanda kurarken, paslanmaz çelikten yapılmış iç kilit mekanizmaları kullanın.
- Bu ürün, M10 ankraj civatalarına (somunlar) biriktire kullanılmak için tasarlanmıştır.
- Köşeye Montaj Adaptörünü beton bir duvarda kullanacaksanız, düz ve yaylı rondelalarla sahip M10 ankraj civatalarını (somunları) kullanmalısınız.
- Ujistěte se, že místo, kam chcete zařízení instalovat, unese nejméně čtyřnásobek součtu hmotností rohového adaptéru nebo montážního adaptéru pro stožáry, adaptéru pro upevnění na stěnu, závislého montážního adaptéru a kamery.
- Každý kotvení šroub musí být schopen odolat tahu 700 kg.
- Při instalaci produktu ve venkovních prostorech použijte zajišťovací prvky z nerezové oceli.
- Tento produkt je navržen pro použití kotvení šroubů a matic M10 při instalaci.
- Při instalaci rohového adaptéru na betonové stěně se doporučuje použít kotvení šrouby a matice M10 spolu s plochými a pérovými podložkami.
- 設置場所が、コーナー・ポール・マウント・アダプタ・ウォール・マウント・アダプタ・ハンギング・マウント・アダプタおよびカメラの合計重量の最大4倍まで耐えられることを確認してください。
- 使用する各アンカー・ボルトは、700kgの抜出力に耐えられます。
- この製品を屋外に設置する場合は、ステンレス製の運動装置を使用してください。
- この製品は、M10アンカー・ボルト(ナット)を使用して設置します。
- コンクリート製の壁にコーナー・マウント・アダプタを設置する場合は、M10アンカー・ボルト(ナット)と、平ワッシャーおよびスプリング・ワッシャーを使用することをお勧めします。
- 請確保安裝位置至少可以承受角落/柱式安裝适配器、墙上安裝适配器、悬挂安裝适配器 和摄像机总重量 4 倍的力度。
- 要使用的每个膨胀螺丝都必须能够承受 700 公斤的拔出力度。
- 在室外安装产品时，请使用不锈钢制作的联接装置。
- 本产品设计为使用 M10 固定螺丝（螺母）进行安装。
- 如果将角落安裝适配器安装在混凝土墙上，建议将 M10 固定螺丝（螺母）与扁平有弹性的垫圈结合使用。
- 설치장소가 Corner/Pole Mount Adaptor, Wall Mount Adaptor, Hanging Mount Adaptor, Camera 의 총중량의 4배 이상을 충분히 견딜 수 있는 곳에 설치하세요.
- 설치된 각각의 앵커 볼트는 700kg의 발거력에 견디어야 합니다.
- 옥외에 설치시 체결류는 스테인리스 재질을 사용하세요.
- 이 제품은 M10의 앵커 볼트(너트)를 사용하도록 설계되어 있습니다.
- Corner Mount Adaptor를 콘크리트벽에 설치할 경우 M10의 앵커 볼트(너트)를 평와셔 및 스프링와셔와 함께 사용하세요.

Installation

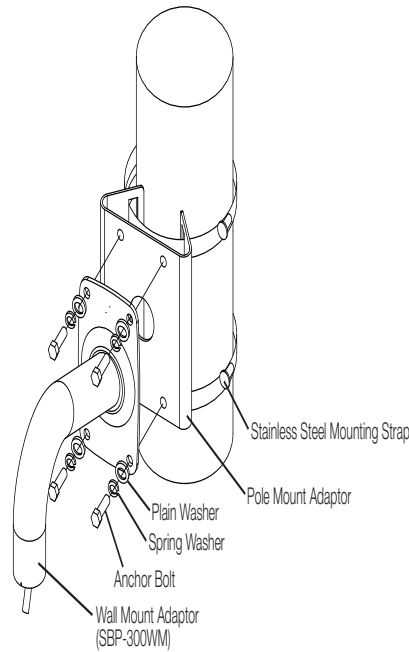
SBP-300KM/SBP-300KMW

- 1 Mark and drill 8 holes into the Corner Mount Adaptor where you will insert the Anchor Bolts or Nuts (M10), and fasten the Corner Mount Adaptor with the Bolts, plain and spring washers.
- 2 Insert the cables through the Corner Mount Adaptor.
- 3 Use the provided Bolts, Spring Washers and Plain Washers to mount the Wall Mount Adaptor onto the product.
 - For more information, refer to the installation guide of the Wall Mount Adaptor.

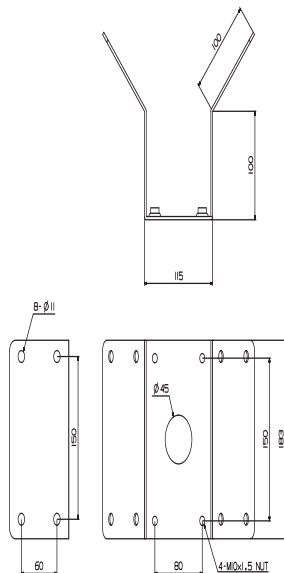


SBP-300PM/SBP-300PMW

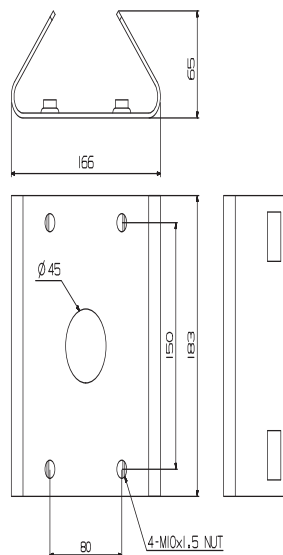
- 1 Select a pole to install and confirm the installation height.
- 2 Use the Stainless Steel Mounting Strap to secure the Pole Mount Adaptor to the pole.
- 3 Insert the cables through the Pole Mount Adaptor.
- 4 Use the provided Bolts, Spring Washers and Plain Washers to mount the Wall Mount Adaptor onto the product.
 - For more information, refer to the installation guide of the Wall Mount Adaptor.



Product Outline



Product Outline



Product Specifications

SBP-300KM/SBP-300KMW	SBP-300PM/SBP-300PMW
<ul style="list-style-type: none"> • Weight : 2200g • Material : Steel • Operation temp. : -50°C~60°C • Operation hum. : 0~100% 	<ul style="list-style-type: none"> • Weight : 1400g • Material : Steel • Operation temp. : -50°C~60°C • Operation hum. : 0~100%
<ul style="list-style-type: none"> • Poids : 2200g • Matériau : Acier • Température de fonctionnement : -50°C~60°C • Humidité de fonctionnement : 0~100% 	<ul style="list-style-type: none"> • Poids : 1400g • Matériau : Acier • Température de fonctionnement : -50°C~60°C • Humidité de fonctionnement : 0~100%
<ul style="list-style-type: none"> • Gewicht : 2200g • Material : Stahl • Betriebstemperatur : -50°C~60°C • Betriebsluftfeuchte : 0~100% 	<ul style="list-style-type: none"> • Gewicht : 1400g • Material : Stahl • Betriebstemperatur : -50°C~60°C • Betriebsluftfeuchte : 0~100%
<ul style="list-style-type: none"> • Peso : 2200g • Material : Acero • Temp. funcionamiento : -50°C~60°C • Hum. funcionamiento. : 0~100% 	<ul style="list-style-type: none"> • Peso : 1400g • Material : Acero • Temp. funcionamiento : -50°C~60°C • Hum. funcionamiento. : 0~100%
<ul style="list-style-type: none"> • Peso : 2200g • Materiale : Acciaio • Temperatura di esercizio : -50°C~60°C • Umidità di esercizio : 0~100% 	<ul style="list-style-type: none"> • Peso : 1400g • Materiale : Acciaio • Temperatura di esercizio : -50°C~60°C • Umidità di esercizio : 0~100%
<ul style="list-style-type: none"> • Bec : 2200g • Material : Сталь • Температура при работе : -50°C~60°C • Влажность при работе : 0~100% 	<ul style="list-style-type: none"> • Bec : 1400g • Material : Сталь • Температура при работе : -50°C~60°C • Влажность при работе : 0~100%
<ul style="list-style-type: none"> • Ciežar : 2200g • Material : Stal • Temperatura robocza : -50°C~60°C • Wilgotność robocza : 0~100% 	<ul style="list-style-type: none"> • Ciežar : 1400g • Material : Stal • Temperatura robocza : -50°C~60°C • Wilgotność robocza : 0~100%
<ul style="list-style-type: none"> • Ağırık : 2200g • Malzeme : Çelik • Çalışma sıcaklığı : -50°C~60°C • Çalışma nem değeri : 0~100% 	<ul style="list-style-type: none"> • Ağırık : 1400g • Malzeme : Çelik • Çalışma sıcaklığı : -50°C~60°C • Çalışma nem değeri : 0~100%
<ul style="list-style-type: none"> • Hmotnost : 2200g • Materiál : Ocel • Provozní teplota : -50°C~60°C • Provozní vlhkost : 0~100% 	<ul style="list-style-type: none"> • Hmotnost : 1400g • Materiál : Ocel • Provozní teplota : -50°C~60°C • Provozní vlhkost : 0~100%
<ul style="list-style-type: none"> • 重量 : 2200g • 材質 : スチール • 動作温度 : -50°C~60°C • 動作湿度 : 0~100% 	<ul style="list-style-type: none"> • 重量 : 1400g • 材質 : スチール • 動作温度 : -50°C~60°C • 動作湿度 : 0~100%
<ul style="list-style-type: none"> • 重量 : 2200g • 材料 : 鋼 • 工作温度 : -50°C~60°C • 工作湿度 : 0~100% 	<ul style="list-style-type: none"> • 重量 : 1400g • 材料 : 鋼 • 工作温度 : -50°C~60°C • 工作湿度 : 0~100%
<ul style="list-style-type: none"> • 무게 : 2200g • 재질 : Steel • 사용 온도 : -50°C~60°C • 사용 습도 : 0~100% 	<ul style="list-style-type: none"> • 무게 : 1400g • 재질 : Steel • 사용 온도 : -50°C~60°C • 사용 습도 : 0~100%

Installation Box



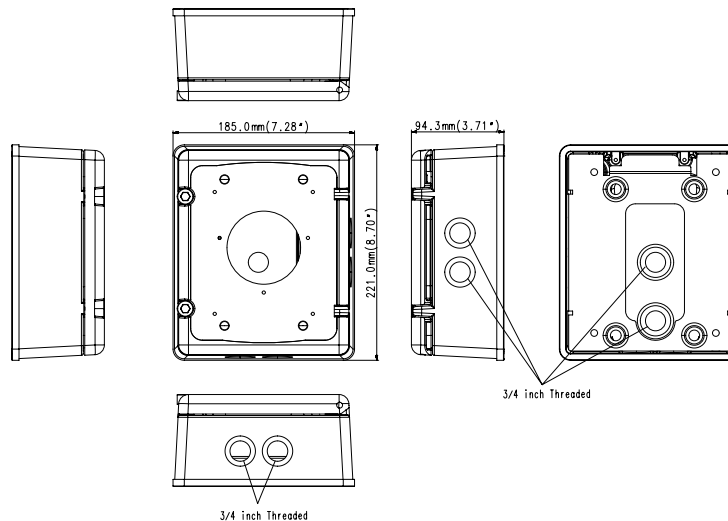
Installation Box

	SBP-300NB / SBP-300NBW	
Materials	Steel / Aluminum	
Dimensions (WxHxD)	185.0 x 221.0 x 94.3mm (7.28 x 8.7 x 3.71")	
Applicable Model	SBP-300WM / 300WM1 / 300KM / 300PM SBP-300WMW / 300WMW1 / 300KMW / 300PMW	
Weight	3.4Kg (7.49 lb)	
Color	Ivory	White
Ingress Protection	IP66	

* You can find applicable models with accessory selector www.hanwha-security.com/en/products/accessory-selector/
 * The latest product information / specification can be found at hanwhasecurity.com
 * Design and specifications are subject to change without notice.
 * Wisenet is the proprietary brand of Hanwha Techwin.

Dimensions

Unit : mm (inch)





Phone: 503.364.4566
Fax: 503.364.0617



Phone: 503.305.5448
Fax: 503.387.5925

SKSD Support Services Center
2575 Commercial St. SE
Salem OR. 97302
(SFA Job # 22022)

Low Voltage Wiring & Equipment for Fire Alarm Submittals Package

No Exception Taken

MFA, Inc

Gary Adovnik

Checking is only for general conformance with the design concept of the project and general compliance with the information given in the contract documents. Any action shown is subject to the requirements of the plans and specifications. Contractor is responsible for: Dimensions, which shall be confirmed and correlated at the job site; fabrication processes and techniques of construction; coordination of his work with that of all other trades; and the satisfactory performance of his work.

04/25/2022

3160 22nd St. SE
P O Box 12789
Salem, OR 97309
CCB # 76884

Specialized Detection Devices

'DB' Series Detector Bases Models DB2-HR, DB-11 and DB-11E

ARCHITECT AND ENGINEER SPECIFICATIONS

- Each detector base is compatible with Model 'H', "11" and "121" series of conventional detectors
 - All bases compatible with the optional Model LK-11 detector-locking kit
- Each detector base also functions with the addressable Model 'H' series, as well as Models FDO421, FDOT421, FDOOT441, FDOOTC441 and FDT421 intelligent devices
 - Model DB2-HR is also compatible with ASAtechnology™ detectors
 - Model DB2-HR has backwards compatibility with Siemens Model 'H'-series intelligent detectors
- Models DB-11 and DB-11E mount on a 4-inch square, octagon or single-gang electrical box
 - Model DB-11 has plugs to cover the outer-mounting screw holes
- Model DB2-HR mounts on a 4"-square, double-gang electrical box



Model DB2-HR



Model DB-11



Model DB-11E

- **UL 268 Listed, ULC-S529 Listed;**
FM, CSFM and NYC Fire Department Approved

Product Overview

The detector bases are low-profile, surface-mounting bases used on various Siemens — Fire Safety conventional and addressable detectors.

Model DB2-HR, which is a redesign of Model DB-HR, is compatible with the standard, addressable type of intelligent detectors, as well as those detection devices that operate with ASAtechnology™.

Additionally, Model DB2-HR is backward compatible with the Siemens Model 'H'-series intelligent detectors and detector-assigned FACPs. Model DB2-HR can also operate with Siemens' 50-point addressable; 252-point addressable; 504-point addressable, and FireFinder® XLS fire systems. A relay output from the fire detector base for signaling other devices is provided by Model DB2-HR.

The detector bases use screw-clamp contacts for electrical connections and self-wiping contacts for better reliability. Further, the bases can be used with the optional Model LK-11 detector locking kit, which contains 50 detector locks and an installation tool, to prevent unauthorized removal of the detector head.

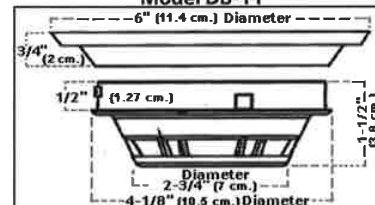
Specifications

Models DB-11 and DB-11E are the standard bases for Model 'H'-series "11" and Model "121"-series conventional detectors, as well as the Model 'H'-series addressable detectors. Model DB-11 has a 6-inch (15.2 cm) diameter. The diameter for Model DB-11E is 4.5 inches (11.4 cm).

Specifications – (continued)

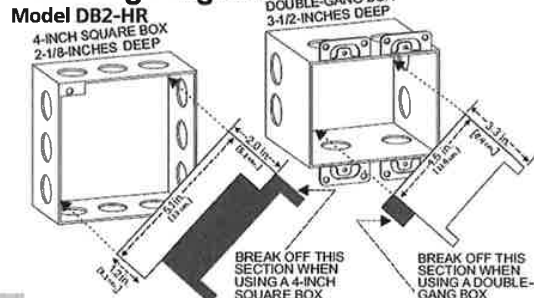
Moreover, Models DB-11 and DB-11E mount on a 4"-square, (10.2 cm) octagon or single-gang box. Model DB-11 has integral, decorative plugs to cover the outer screw holes. However, Model DB2-HR mounts on a double-gang, 4-inch (10.2 cm.) square electrical box.

Dimensions Model DB-11



Note: Model DB-11E base detector has a diameter dimension of 4.5" (11.4 cm.).

Mounting Diagram

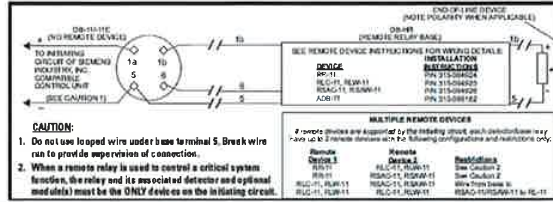


Notes: The Module Barrier (shown to the right) must be used when Model DB2-HR relay contacts are connected to non-power-limited circuits. Break apart the barrier to the correct size and shape for either the 4-inch square or double-gang box. Install the barrier diagonally into the back box to create two (2), separate compartments with the back box, in order to separate the wires.

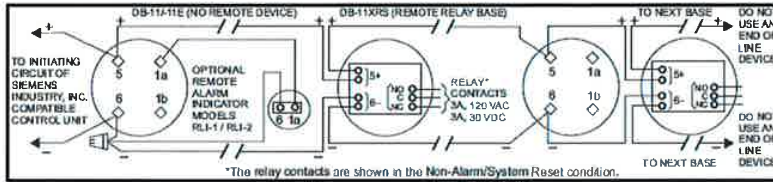
SIEMENS Industry, Inc.
Building Technologies Division

Detector Bases ['DB' Series] **6161**

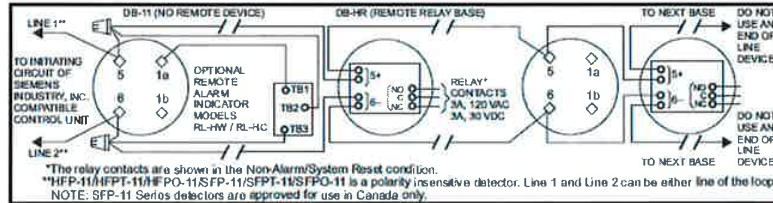
Wiring Diagrams



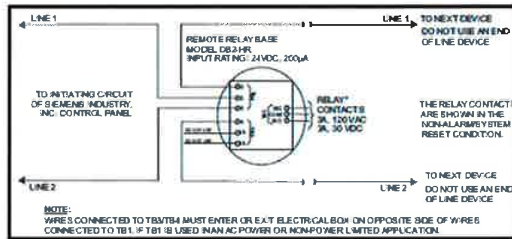
Note: The illustration above is typical wiring for Models DB-11 and DB-11E (using Models PE-11, PE-11T, DT-11, OP121, OH121, and HI121 detectors).



Note: The illustration above is typical wiring for Models DB-11 and DB-11E (using Models FP-11, FPT-11, FS-DP, FS-DPT, and FS-DT detectors).



Note: The illustration above is typical wiring for Models DB-11 and DB-11E (using Models HFP-11 Series and SFP-11 Series detectors).



Note: The illustration above is typical wiring for Model DB2-HR for polarity-insensitive detectors).

Details for Ordering

Model Number	Part Number	Description
AD2-P	500-649706	Air-Duct Housing
AD2-PR	500-649707	Air-Duct Housing with Relay
DB-11	500-094151	Low-Profile Surface-Mount Base
DB-11C	500-095687	Low-Profile Surface-Mount Base [Canada]
DB-11E	500-094151E	Smaller-Diameter Detector Base
DB-HR	500-033220	Relay Base for 'H'-Series Intelligent Detector
DB2-HR	S54370-F12-A1	Relay base compatible with 'S'-Line and 'C'-line detectors; backwards compatible with Model 'H'-series detectors
DT-11	500-095430	135°F [57.2°C] Low-Profile Thermal Detector
DT-11C	500-095983	Low-Profile Thermal Detector [Canada]
FDO421	S54320-F4-A1	Photoelectric Smoke Detector
FDO421	S54320-F6-A1	Addressable Multi-Criteria Fire Detector
FDT421	S54320-F5-A1	Thermal (Heat) Detector
FDOOT441	S54320-F7-A1	Multi-Criteria Fire Detector with ASATechnology™
FDOOT441	S54320-F8-A1	Multi-Criteria Fire / CO Detector with ASATechnology™
LK-11	500-695350	Base Locking Kit for Model '11'-series detectors

Model Number	Part Number	Description
FP-11	500-095112	FirePrint™ Intelligent Detector
FP-11C	500-095112C	FirePrint™ Intelligent Detector [Canada]
FPT-11	500-095918	Thermal Detector
FPT-11C	500-095918C	Thermal Detector [Canada]
HFPO-11	500-034800	FS-250 Addressable Detector
HFP-11	500-033290	FirePrint™ Detector
HFPT-11	500-033380	Thermal Detector
HI121	S54372-F3-A1	Heat Detector
OH121	S54372-F2-A1	Multi-Sensor Smoke Detector
OP121	S54372-F1-A1	Photoelectric Smoke Detector
PE-11	500-094150	Conventional Photoelectric Smoke Detector
PE-11T	500-095150	Photoelectric Smoke Detector with 135°F [57.2°C] Thermal Sensor
SFP-11	500-33290C	Photo / Thermal Detector [Canada]
SFPO-11	500-34800C	Photo Detector [Canada]
SFPT-11	500-033380C	Detector Package [Canada]

Note: This marketing data sheet is not intended to be used for system design or installation purposes. For the most up-to-date information, refer to each product's installation instructions.

SIEMENS Industry, Inc.
Building Technologies Division

Fire Safety
8 Fernwood Road
Florham Park, NJ 07932
Tel: (973) 593-2600
FAX: (908) 547-6877
URL: www.usa.Siemens.com/Fire

(SI-FS)
Printed in U.S.A.

Fire Safety
2 Kenview Boulevard
Brampton, Ontario
L6T 5E4 / Canada
Tel: (905) 799-9937
FAX: (905) 799-9858

September 2012
Supersedes sheet document 4/12
(Rev. 1)

Peripheral and Detection Devices Initiating Devices

Intelligent Device Interface Modules Model XTRI-D | XTRI-R | XTRI-S

Architect & Engineer Specifications

- Built-in dual isolators:
 - Modern technology supports comprehensive system-and-interface communication
 - Allows up to 190 isolators per loop and 30 devices between isolators
- Dual input on Model XTRI-D, via a single address
- Integral single-pole, double-throw (SPDT) relay on Model XTRI-R:
 - Up to 4 Amps.
- Meets Class X (Style 7) survivability requirements
- Low current draw
- Polarity insensitive (in non-isolation mode) via *SureWire™* technology:
 - Modern technology supports comprehensive system and interface communication
- Multi-color light-emitting diode (LED) indicates system status:
 - GREEN | AMBER | RED
- Mounts in a 4-inch (10.2 cm.) square, 2-¼" (5.7 cm.) deep single-gang or double-gang back box
- Non-obstructive front-end access to programming port and wiring terminals
- Device Programmer | Test Unit programs and verifies address, as well as tests device functionality
- Restriction of Hazardous Substances (RoHS) compliant
- UL864 | UL2572 | UL2017 Listed; CAN/ULC-S527 & CAN/ULC-S576 Listed
 - File S24304, Vol. 3

Product Overview

The Siemens – Fire Safety XTRI-series Intelligent Interface Modules are designed to provide the means of interfacing direct shorting devices to the fire-alarm control panel (FACP) loop circuit. All modules take up one (1) address on the loop.

Each XTRI-series interface module provides built-in, intelligent dual isolation, and meets Class X (Style 7) wiring requirements. Up to 190 isolators per loop and up to 30 devices between isolators (wired in polarity-insensitive mode). Additionally, the devices between isolators can either be 'H'-series or the more contemporary 'X'-series detection devices.

Specifications

The Siemens – Fire Safety XTRI-series Intelligent Interface Modules are available in three (3) individual types:

- One (1) Dual-Input: XTRI-D
- Two (2) Single-Inputs: XTRI-R (with relay) | XTRI-S
 - The single-input versions are each designed to monitor a normally open (N.O) or (N.C) normally closed dry contact

XTRI-D | XTRI-R | XTRI-S incorporates configurable, built-in dual isolators. Additionally, an XTRI-series interface module has Class X (Style 7) survivability requirements for shorts while providing reliable alarm communication to the Siemens FACP. The isolation feature found on the XTRI-series Intelligent Interface Modules gives information as to the location of the fault. When a short occurs, the panel can identify the fault automatically, and the module recognizes the short location (in front of the device or behind the device).

Overall, the built-in isolators improve the diagnostics and location of the short and report when a Class X module is misconfigured.

The modules are configurable by a Siemens compatible FACP (or panels) in an isolator (polarity sensitive) or non-isolator (polarity insensitive) mode.

When a XTRI-series interface module is configured as an isolator, that module has the capacity of functioning as both an in/out device, as well as an isolator.

Advanced troubleshooting is provided by compatible panels by identifying when a XTRI-series interface module is configured as an isolator, but is wired incorrectly in a polarity-insensitive mode.

Each Model XTRI-series device has a multi-color LED that flashes when **GREEN** operating in Normal mode; **AMBER** if the unit is in a 'Trouble' condition, and **RED** to indicate a change of status.

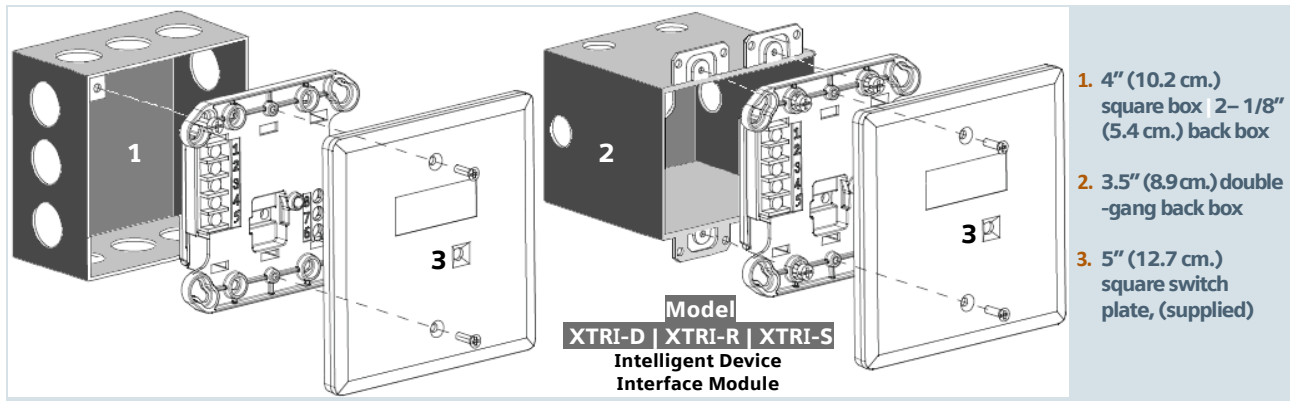
Model XTRI-S

This single-input interface module can only monitor and report the status of a N.O. or N.C. contact.



Model
XTRI-D | XTRI-R | XTRI-S
Intelligent Device
Interface Module





Specifications – (continued)

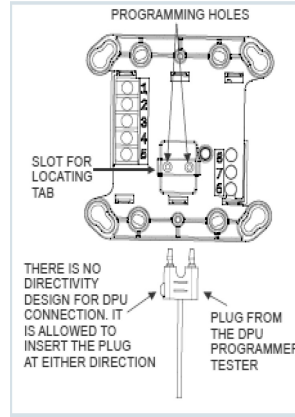
Model XTRI-R

Through the use of an addressable 'Form C' relay, the Model XTRI-R relay and contact device input are controlled at the same address. The relay and input contact can be controlled as a separate function from a Siemens compatible FACP. The relay is typically used where control or shunting of external equipment is required. When a LED blinks twice on a Model XTRI-R, it indicates a change of relay status.

Model XTRI-D

Model XTRI-D is a dual-input module that is designed to supervise and monitor two (2) sets of dry contacts. Model XTRI-D only requires one (1) address, but responds independently to each input. Model XTRI-D is ideal for monitoring a water-flow switch and its respective valve tamper switch. Model XTRI-D flashes twice: once for each address.

Mounting Data



NOTES: Each interface module mounts directly to a user-supplied switchbox. The electrical boxes, seen above, are supplied-by-others (BO).

Models XTRI-D, XTRI-R and XTRI-S mount directly onto a 4-inch (10.2 cm.) square, 2 1/4" (5.7 cm.)-deep box back box, or to a user-supplied double-gang 3 1/2" deep back box.

A 5" (12.7 cm.) square, off-white faceplate is included in each shipment of a Siemens Model XTRI-series module.

Operation

Field-Device Programmer / Test Unit

Siemens – Fire Safety innovative technology allows Model XTRI-series intelligent interface modules to be programmed via the Siemens field-device programmer / test unit (Model DPU), which is a compact, portable and menu-driven accessory for electronically programming and testing Siemens peripheral modules and devices promptly and reliably. For instance, the field technician selects the accessory's program mode, and enters the desired address.

Vibration, corrosion and other conditions that deteriorate mechanical-addressing mechanisms are no longer a cause for concern. Model XTRI-series interface module is connected to Model DPU with the programming cable provided with the tester. This programming cable (P/N 110-694927) utilizes two (2) alligator-clip connectors.

NOTE: Since the XTRI-series of interface modules are advanced initiating devices, the latest Model DPU firmware update is required.

Model DPU eliminates the need for cumbersome, unreliable mechanical programming methods (e.g. – dials and rotary switches), and reduces installation and service costs by electronically programming and testing the detector prior to installation. When set in 'test' mode, Model DPU will perform a series of diagnostic tests without altering the address or other stored data, allowing technicians to determine if the detector is operating properly.

Each field-device programmer / test unit operates on AC power or rechargeable batteries, providing flexibility and convenience in the programming / testing of fire-safety equipment from practically any location. Additionally, with the use of a Model DPU unit, there is no longer a cause for concern with any vibration, corrosion and other deteriorating conditions that can accompany the vitality of a mechanical-addressing mechanism.

The encompassing result is an intelligent detector that provides enhanced detection capability to a wide range of products of combustion – while offering unsurpassed rejection to nuisance-alarm sources, including: dust | steam | aerosols and other deceptive phenomena that could cause false alarms.

Compatibilities

Siemens 'X' modules may be used along with Model 'H'-series intelligent detectors; Model 'HMS'-series addressable manual stations, or any other 'H'-series addressable intelligent module (e.g. Model HZM or Model HCP).

Interspersing 'X' & 'H'-series devices on the same loop is mostly permitted, but there are exceptions: Models HLIM (isolation module) and SBGA-34 (audible base) cannot be used with 'X' devices on the same loop.

Temperature and Humidity Range

Models XTRI-D | XTRI-R | XTRI-S intelligent interface modules are UL Listed | ULC Listed. Environmental operating conditions for each interface module is 32°F (0°C) to 120°F (49°C) with a relative humidity of no greater than 95%, non-condensing.

Technical Data

OPERATING VOLTAGE RANGE:	18VDC – 32VDC
RELATIVE HUMIDITY:	0 – 95% (non-condensing)
'ACTIVE' OR 'STANDBY' CURRENT, MAX.:	500µA
LINE SIZES AMERICAN WIRE GAUGE (AWG)	14 AWG, max. 18 AWG, min.
CURRENT DRAW, MAX AVG.	XTRI-S: 650µA
	XTRI-R: 750µA
	XTRI-D: 950µA
RELAY RATINGS: (for Model XTRI-R)	
RESISTIVE:	4 Amps 125 VAC
	4 Amps 30 VDC
INDUCTIVE:	3.5A, 120 VAC (0.6 pF)
	3.0A, 30 VDC (0.6 pF)
	2.0A, 120 VAC (0.4 pF)
	2.0A, 120 VAC (0.35 pF)
	2.0A, 30 VDC (0.35 pF)

Details for Ordering

MODEL OR TYPE	PART NUMBER	PRODUCT
XTRI-S	S54370-B3-A1	Single Input Module
XTRI-R	S54370-B1-A1	Single Input Module (with relay)
XTRI-D	S54370-B2-A1	Dual Input Module
DPU	500-033260	Device Programmer / Test Unit

NOTE: Refer to installation manual: **P/N – A6V101055479** to ensure Model XTRI-D | XTRI-R | XTRI-S compatibility with the Siemens FACPs intended for use in the given application.

Electrical Ratings

FLASH COLOR	CONDITION	FLASH INTERVALS [in seconds]
GREEN*:	Normal supervisory operation.	10
YELLOW:	Device is in trouble and needs to be replaced.	4
RED:	Locate 'Alarm'	1
	Output Device (XTRI-R only)	10
NO FLASH:	Power is not being received. Replacement is needed.	—

This Page Left Intentionally Blank

NOTICE – The information contained in this data-sheet document is intended only as a summary, and is subject to change without notice. The product(s) described here has/have a specific instruction sheet(s) that cover various technical, limitation and liability information. Copies of install-type, instruction sheets – as well as the *General Product Warning and Limitations* document, which also contains important data, are provided with the product, and are available from the Manufacturer. Data contained in the aforesaid type of documentation should be consulted with a fire-safety professional before specifying or using the product.

Any further questions or assistance concerning particular problems that might arise, relative to the proper functioning of the equipment, please contact the Manufacturer.

SIEMENS

Siemens Industry, Inc.
Building Technologies Division
8 Fernwood Road • Florham Park, NJ 07932
Tel: (973) 593-2600

September 2017 – New Issue
(Rev. 0)

Peripheral and Detection Devices Initiating Devices

XMS-Series Manual Pull Stations

Models XMS-S | XMS-D | XMS-M

Architect & Engineer Specifications

- ❑ Built-in loop isolation:
 - Meets Class X (Style 7) survivability requirements
 - Supports up to 190 X-Series isolation peripherals per loop and 30 addressable devices
- ❑ Low current draw
- ❑ Polarity insensitive (in non-isolation mode) via SureWire technology
- ❑ Multi-color status LED
- ❑ T-45 reset key
- ❑ Reduced mounting depth for compatibility with single gang electrical boxes for retrofit applications
- ❑ Trouble indication during service and maintenance
- ❑ Single action, double action, and metal versions available
- ❑ Portuguese and Spanish versions available
- ❑ RoHS compliant
- ❑ UL38 Listed

Product Overview

The XMS-Series of manual pull stations are a complete addressable and conventional pull station portfolio that include single action, double action, and metal versions. The addressable versions feature built-in Class X (Style 7) isolation capability for increased system survivability. All models feature a T-45 reset key to match the fire alarm panel enclosure. Addressable models also feature a tri-color status LED to indicate normal, alarm, and trouble status. All modules utilize one address.

The manual stations can be commissioned non-isolation (polarity insensitive) or isolation "X-Series" modes of operation.

Specifications

Models XMS-S, XMS-D, and XMS-M are compatible with Siemens FACPs. The Model XMS-S is a single action pull station in a plastic housing that requires one action by the user to initiate the alarm. The Model XMS-D is a double action pull station in a plastic housing that requires two actions by the user to initiate an alarm. The Model XMS-M is a single action pull station in a metal housing that requires one action by the user to initiate the alarm. These models are field installed addressable devices containing advanced control panel communication technology.

The XMS-Series manual pull stations feature a "maintenance trouble" that places the fire alarm panel into a trouble condition if an XMS is accidentally left in an armed status when the cover is removed for maintenance work.

This technology provides two-direction communication with the control panel. To reset the stations, insert the Siemens T45 key provided into the key lock and turn the key 10-15 degrees counter-clockwise as the arrow shows. The cover will move upward to the normal position. Rotate the key clockwise and remove key from the lock. At Normal position the top of the Cover is flush with the top surface of the Base. Reset the Fire Alarm Control Panel to clear the alarm.

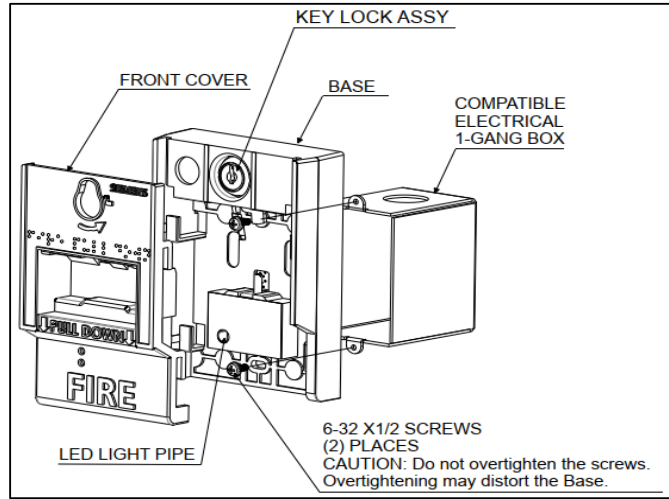
The XMS-S, XMS-D, and XMS-M manual stations operate with the Desigo Fire Safety Modular / Cerberus PRO Modular via the XDLC. These devices can be wired in either Isolation Mode or Polarity Insensitive Mode Wiring. The XMS-S/XMS-M manual station front cover has a recess pocket to pull down and locks in position after the alarm is initiated. The XMS-D manual station has an additional lever labeled "PUSH HERE THEN" to get access to the front cover pocket to initiate the alarm.



Model XMS-D



Mounting Diagram



Technical Data	
Operating Voltage Range	13 - 32VDC
Max Average Operating Current @ 24v:	500µA
Operating Temperature Range	32° — 120°F (0° — 49°C)
Operating Humidity Range	0 — 95%, RH

Physical Properties	
Construction:	High impact polycarbonate plastic
	Aluminum
Shipping weight:	1.0 lbs
Dimensions:	5.50" H x 4.0" W x 1.250" D
Compliance:	ADA
Compatible electrical boxes:	2-1/2" deep 1-gang box

Details for Ordering		
Model or Type	Part Number	Description
XMS-S	S54321-F7-A1	Addressable Single Action Manual Pull Station with Isolation
XMS-D	S54321-F8-A1	Addressable Double Action Manual Pull Station with Isolation
XMS-M	S54321-F19-A1	Addressable Single Action Metal Pull Station with Isolation
XMS-SP	S54321-F9-A1	Addressable Single Action Manual Pull Station with Isolation - Portugese Text
XMS-DP	S54321-F10-A1	Addressable Double Action Manual Pull Station with Isolation - Portugese Text
XMS-SE	S54321-F11-A1	Addressable Single Action Manual Pull Station with Isolation - Spanish Text
XMS-DE	S54321-F12-A1	Addressable Double Action Manual Pull Station with Isolation - Spanish Text
XMH-501	S54321-F18-A1	Conventional Double Action Manual Pull Station for Agent Release
XMS-501	S54321-F16-A1	Conventional Double Action Manual Pull Station
XMS-51	S54321-F15-A1	Conventional Single Action Manual Station with Auxiliary Relay and Key Switch
SMBOX-XMP	S54321-F20-A1	Surface Mounting Backbox for X-Series Manual Stations
APLT-XMP	S54321-F21-A1	Adapter Plate for X-Series Manual Stations to Legacy Surface Backboxes
4DGBOX-XMP	S54321-F22-A1	Adapter Plate for X-Series Manual Stations to 4" and Double-Gang Backboxes

This Page Left Intentionally Blank

NOTICE – The information contained in this data-sheet document is intended only as a summary, and is subject to change without notice. The product(s) described here has/have a specific instruction sheet(s) that cover various technical, limitation and liability information.

Copies of install-type, instruction sheets – as well as the *General Product Warning and Limitations* document, which also contains important data, are provided with the product, and are available from the Manufacturer.

Data contained in the aforesaid type of documentation should be consulted with a fire-safety professional before specifying or using the product.

Any further questions or assistance concerning particular problems that might arise, relative to the proper functioning of the equipment, please contact the Manufacturer.

SIEMENS

Siemens Industry, Inc.

Smart Infrastructure - Building Products
8 Fernwood Road • Florham Park, NJ 07932
Tel: (973) 593-2600

December - 2019
(New Issue)

Intelligent Detection Devices

Photoelectric Smoke Detector

Model OP921

ARCHITECT AND ENGINEER SPECIFICATIONS

- Compatible with Siemens Model 'H'-series devices on the same loop (with Model FC9-series fire-alarm control panels)
- Compatible with Model 8720 / DPU (device programmer / loop tester)
- Utilizes advanced microprocessor-based signal processing
- Extended temperature and humidity operating range
- Each detector is self-testing:
 - self monitored for sensitivity within ©UL Listed limits
 - complete diagnostics performed every 10 seconds
- Polarity insensitive utilizing *SureWire™* technology
- Compatible with Model DB-11-series mounting bases
- Tri-color detector status LED with 360° viewing
- Field-selectable application sensitivity profiles
- Remote sensitivity-measurement capability
- Utilizes advanced signal processing
- Superior EMI / RFI immunity
- RoHS compliant



- Automatic environment compensation
- ©UL268A Listed [for direct air-duct use], ©ULC Pending; CSFM Approved

Product Overview

The Photoelectric Smoke Detector (Model OP921) uses state-of-the-art microcontroller circuitry and surface-mount technology for maximum reliability. Model OP921 incorporates an optical sensor using a light-scattering detection principle. The device utilizes advanced software algorithms to analyze the signals, and provides highly stable and accurate smoke detection.

Further, Model OP921 uses state-of-the-art microprocessor circuitry with error check; detector self-diagnostics, and supervision programs.

Field-Device Programmer / Test Unit

Model OP921 is compatible with the Siemens field-device programmer / test unit (Model 8720 / DPU), which is a compact, portable, menu-driven accessory for electronically programming and testing detectors easily and reliably.

Model 8720 / DPU eliminates the need for cumbersome, unreliable mechanical programming methods, such as dials or switches, and reduces installation and service costs by electronically programming and testing the detector prior to installation.

For proper operation of the field-device programmer / test unit, the technician selects the accessory's program mode, and enters the desired address. In turn, Model 8720 / DPU automatically sets and verifies the address, as well as tests the detector. When in the 'test' mode, Model 8720 / DPU will perform a series of diagnostic tests without altering the address or other stored data, allowing technicians to determine if the detector is operating properly.

Model 8720 / DPU operates on AC power or rechargeable batteries, providing flexibility and convenience in programming and testing equipment from practically any location.

Cerberus™ PRO

Fire Safety & Security Products

9902

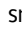

Photoelectric Smoke Detector

Answers for infrastructure

SIEMENS

Product Overview — (continued)

Model 8720 / DPU operates on AC power or rechargeable batteries, providing flexibility and convenience in programming and testing equipment from practically any location.

Model OP921 is a plug-in, two-wire and addressable photoelectric smoke detector. Model OP921 is  Underwriters' Laboratories Listed [ UL268A Listed for direct in-air duct usage].

Each detector consists of a dust-resistant photoelectric chamber and microprocessor-based electronics with a low-profile plastic housing. Every Model OP921 fire detector is shipped with a protective dust cover:

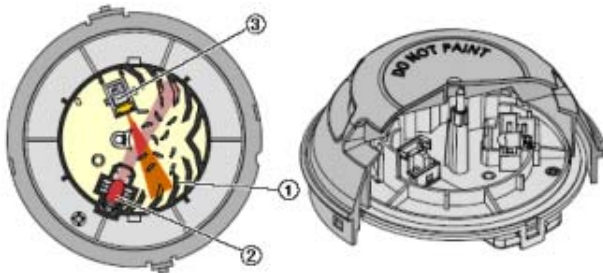


1. Dust cover
2. Smoke detector

Operation

Model OP921 is a wide-spectrum, photoelectric smoke detector incorporating an infrared light-emitting diode (IRLED), and infrared light-sensing photodiode. Under normal conditions, light transmitted by the LED is directed away from the photodiode and scattered through the smoke chamber in a controlled pattern.

The smoke chamber is designed to manage light dissipation and extraneous reflections from dust particles or other non-smoke, airborne contaminants in such a way as to maintain stable, consistent detector operation. When smoke enters the detector chamber, light emitted from the IRLED is scattered by the smoke particles, and is received by the photodiode:



1. Labyrinth
2. Optical transmitter
3. Optical receiver

Sensitivity Settings

Application Parameter Sets


Model OP921 provides four (4) pre-programmed sensitivity parameter sets that can be selected by the FACP to match the expected application or environmental conditions:


- Sensitive
- Standard
- Robust
- Air-duct

Sensitive: This application parameter set is practically suitable for areas where few misleading sources of false alarm are present, and is appropriate where priority is given to detecting open fires as soon as possible (e.g. – typically a clean application with controlled environmental conditions.)

Standard: This application parameter set is practically apt for normal office, hotel-lobby-type applications, and is the default setting.

Robust: This application parameter set offers improved resistance to false alarms in areas where misleading sources, such as cigarette smoke or exhaust fumes, may cause a nuisance alarm.

Air-Duct: This application parameter set is used when the detector is used a  UL268A (DI) compliant direct in-air duct application without a duct housing.

Model OP921 does not require a field sensitivity test. Model OP921 is  UL Listed as a self-testing device and complies with NFPA 72 as a self monitoring detector and control panel arrangement. This parameter set is also used when Model OP921 is used in air-duct housings (Models FDBZ492 and FDBZ492-HR).

The visible LED flashes **green** every 10 seconds to indicate communication with the FACP, and to notify Model OP921 has passed its self-test. Should Model OP921 sense a fault or failure within its system, the LED will flash **amber**, and the detector will transmit the data to the FACP.

A quick visual inspection is sufficient to indicate the condition of Model OP921 at any time. If more detailed information is required, a printed report can be provided from the compatible FACP, indicating the status and settings assigned to each individual detector. When Model OP921 moves to *Alarm* mode, the detector will flash **red** and continue flashing until the system is reset at the FACP. At that same time, any user-defined, system-alarm functions programmed into the system are activated.

Model OP921 contains a tri-color LED indicator, capable of flashing any one (1) of three (3) distinct colors: **green**, **yellow**, or **red**. During each flash interval, the microprocessor-based detector monitors the following:

Operation — (continued)

- Smoke sensitivity is within the range indicated on the nameplate label
- Smoke in its sensing chamber
- Internal sensors and electronics are functional

Based on the monitoring results, the LED indicator flashes the following colors based on the following conditions:

Flash Color	Condition	Flash Interval (in seconds)
Green*:	Normal supervisory operation. Smoke sensitivity is within rated limits.	10
Yellow:	Detector is in trouble and needs replacement.	4
Red:	Alarm condition.	1
No Flash:	Detector is not powered.	—

* LED can be turned OFF.

Please follow the corresponding description of the panel used.

A quick, visual inspection is sufficient to indicate the condition of the detector at any time. If more detailed information is required, a printed report can be provided from the Model FC9-series FACPs indicating the status and settings assigned to each individual detector.

Installation

All Model OP921 detectors use a surface-mounting base, Model DB-11 or Model DB-11E, which mounts on a 4-inch octagonal, square or single-gang electrical box. The base utilizes screw-clamp contacts for electrical connections and self-wiping contacts for increased reliability.

The Model DB-11 base can be used with the optional Model LK-11 detector locking kit, which contains 50 detector locks and an installation tool to prevent unauthorized removal of the detector head. Model DB-11 has decorative plugs to cover the outer-mounting screw holes.

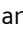
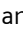
Model OP921 may be installed on the same initiating circuit with the Siemens Model 'H'-series detectors [when used with the Model FC9-series of FACPs] —

- Model HFP-11
- Model 'HMS'-series manual stations
- Model 'HTRI'-series interfaces
- Model HCP output-control devices
- Model 'HZM'-series of addressable, conventional zone modules

Application Data

Installation of Model OP921 detectors requires a two-wire circuit. In many retrofit cases, existing wiring may be used. 'T-tapping' is permitted only for Style 4 (Class B) wiring. Model OP921 is polarity insensitive, which can greatly reduce installation and debugging time.

Model OP921 can be applied within the maximum 30-foot center spacing (900 sq. ft. areas), as referenced in NFPA 72. This application guideline is based on ideal conditions — specifically, smooth ceiling surfaces, minimal air movement, and no physical obstructions between potential fire sources and the actual detector. Do not mount detectors in close proximity to ventilation or heating and air conditioning outlets. Exposed joints or beamed ceilings may also affect safe spacing limitations for detectors.

Should questions arise regarding detector placement, observe NFPA 72 guidelines. Good fire-protection system engineering and common sense dictate how and when fire detectors are installed and used. Contact your local Siemens Industry — Fire Safety distributor or sales office whenever you need assistance applying Model OP921 in unusual applications. Be sure to follow NFPA guidelines and UL Listed / ULC Pending installation instructions — included with every Siemens — Fire Safety detector — and local codes as for all fire-protection equipment.

Technical Data

Operating

Temperature Range: +32°F (0°C) to 120°F (49°C)

Relative Humidity: 0 — 95%; non-condensing

Air Pressure: No effect

Air Velocity: 0 — 4,000 ft. / min (0-20m / sec)

Input Voltage Range: 16VDC — 30VDC

Alarm Current (max.): 410µA

Standby Current (max.): 250µA, max. (average)

Maximum Spacing: 30-foot centers (900 sq. ft.), per NFPA 72

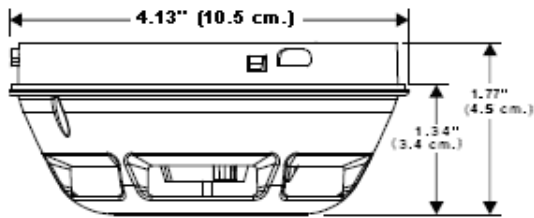
Detector Weight:

0.317 lbs.
(0.144 kg.)

Mechanical Protection Guard:

UL Listed / ULC Pending with STI Guard Model STI-9604

Mounting Diagram Dimensions



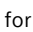
FACP Compatibility Table

Model Number	Data Sheet Number	Description
FC901	9813	50-point panel
FC922	9815	252-point system (networkable)
FC924	9815	504-point system (networkable)

Details for Ordering

Model Number	Part Number	Description
OP921	S54320-F4-A2	Photoelectric Smoke Detector
DB-11	500-094151	Detector Mounting Base
DB-11E	500-094151E	Detector Base {small}
DB2-HR	S54320-F12-A1	Relay Base
RL-HC	500-033230	Remote Alarm Indicator: 4" octagon-box mount, red
RL-HW	500-033310	Remote Alarm Indicator: single-gang box mount, red
FDBZ492	S54319-B22-A1	Addressable Air-Duct Housing
FDBZ492-HR	S54319-B23-A1	Addressable Air-Duct Detector with Relay
LK-11	500-695350	Base Locking Kit

In Canada, order:

Model Number	Part Number	Description
DB-11C	500-095687	Detector Mounting Base for  ULC (pending)

SIEMENS Cerberus™ PRO

Siemens Industry, Inc. — Building Technologies Div.
8 Fernwood Road • Florham Park, NJ 07932
Tel: (973) 593-2600 • Fax: (908) 547-6877
Web: www.USA.Siemens.com/Cerberus-PRO

NOTICE — The information contained in this data-sheet document is intended only as a summary, and is subject to change without notice. The devices described here have specific instruction sheets that cover various technical, limitation and liability information.

Copies of these instruction sheets and the *General Product Warning and Limitations* document, which also contains important information, are provided with the product and, are available from the Manufacturer.

Information contained in these documents should be consulted before specifying or using the product. For further information or assistance concerning particular problems contact the Manufacturer.

Specialized Devices

Air-Duct Housings (FDBZ Series)

Models FDBZ492, FDBZ492-HR, FDBZ492-R and FDBZ492-PR {with FDBZ-WT and FDBZ-RTL}

ARCHITECT AND ENGINEER SPECIFICATIONS

- **Four (4) models available**
 - Addressable and conventional with and without relays
- **Compatible with various Siemens – Fire Safety fire-alarm control panels (FACPs)**
- **Magnet test feature with the Model OP121 conventional detector**
- **Design for air-velocity range of 100 to 4,000 feet-per-minute (fpm)**
- **Robust, compatible conventional remote indicator test switch that incorporates tri-color light-emitting diode (LED)**
- **Clear housing cover with smoke test port on cover for quick identification of detector type**
 - Removable with only four (4) captive-thumb screws (no tools required)
 - Includes a smoke / aerosol detector test port
- **Optional NEMA 4X-reinforced, stainless-steel and watertight enclosure available, Model FDBZ-WT**
- **No tools required for cover removal, sampling and exhaust-tube installations**
- **Trouble-event activation upon front-cover removal**
- **Alarm LED visible from front**



Remote alarm indicator
[FDBZ-RTL]



FDBZ-series of air-duct housings
[FDBZ492, FDBZ492-HR, FDBZ492-R and FDBZ492-PR]



Watertight housing
[FDBZ-WT]

- **Self-contained model available with 'on-board' power supply for conventional detectors**
- **Expanded temperature range**
- **Relay models available**
- **UL268A Listed, ULC-S529 Listed**

Product Overview

The Siemens — Fire Safety Model 'FDBZ'-series of air-duct-detector housings are designed for use with the Siemens Model 'H'-series; as well as with Models OOH941, OOH941, OP121; OP921; 8710; 8713, and PE-11 detectors.

Designed for installation directly to heating, ventilating and air-conditioning (HVAC) duct systems, the Model 'FDBZ'-series of duct housings complies with National Fire Protection Association Standard (NFPA) No.'s 72 and 90A, and is Underwriters' Laboratories Listed.

When equipped, the air-duct detector housing will signal the presence of smoke being carried through the duct system. Air-duct detectors are not intended to be substituted for open-area detection.

Notes: Most conventional time-control equipment guarantee only one (1) detector per zone when the detector's operated relay function is critical. The connection of a remote lamp and a remote relay – per detector – is allowed. Refer to the installation manual for the respective conventional fire system.

Notes - (cont.'d): With either the Cerberus™ PRO series or FireFinder™ XLS series of FACPs, up to 252-addressable detectors with relays per circuit may be used. The connection of an intelligent remote lamp (ILED) and a remote relay is allowed for each detector simultaneously.

Specifications

The Model 'FDBZ'-series of air-duct housings are uniquely designed to use with the photoelectric detector. Sensitivity of Models PE-11 and OP121 detectors can be verified for calibration via LED visual status or a Model RSAW-11, Model RSAC-11 or FDBZ-RTL multi-color remote lamp. A **green** flash indicates the detector has passed its self test. **Amber** indicates a *Trouble* condition, and **red** indicates an *Alarm* event.

Sensitivity for Models HFP-11, FP-11, HFPO-11, OP921, OOH941 and OOH941 can be verified from the multi-color LED of the respective detector, or its sensitivity reading may be printed by command from the corresponding FACP to an optional printer.

Cerberus™ PRO

Fire Safety & Security Products

9906

Model 'FDBZ' Series of Air-Duct Housings and Detectors

Specifications — (continued)

The remote alarm indicator (Model FDBZ-RTL) allows for manual testing via a key-switch for the conventional detector as well as the conventional air-duct housing with relay. Model FDBZ-RTL, which mounts remotely from the conventional air-duct housing, allows for manual relay-output control. The duct-detector remote indicator key-switch also indicates the current state of the detector.

The watertight housing (Model FDBZ-WT), which allows the air-duct detector housing to be installed inside the separate NEMA 4X enclosure, is for installations for either an outdoor area or in environments where excessive moisture is prevalent.

Each detector unit employs a cross-sectional sampling principle of operation. Inlet sampling tubes are available in four (4) lengths (see: **Sampling Tube Selection Table**). Outlet sampling tubes are one (1) common length and draw. A continuous, cross-sectional sample of air moves through the duct. Stratification or skin affect phenomenon that occurs in the duct can prevent smoke (especially in large ducts) from reaching a spot-type detector.

In addition, the unique design of the sampling chamber insures uniform sensitivity in air velocities, ranging from a low of 100 fpm to as high as 4,000 fpm. Each air-duct housing comes with three (3) wiring entry ports:

- Two (2) 3/4" conduit knockouts
- One (1) 1/2" conduit opening

The inlet sampling tube length is determined by the width of the air duct being protected. The inlet tube — greater than and nearest to the duct width — should be used (see: **Sampling Tube Selection Table**). The inlet tube can then be trimmed at the job site to the exact width of the duct. The outlet sampling tube for all ducts — irrespective of width — has a fixed length of approximately 5.5 inches (14cm.), and is supplied with the air-duct housing.

Note: When the use of a remote relay is required, order Model FDBZ492-R for conventional systems; Model FDBZ492-HR for addressable systems. When required, a separate watertight enclosure (Model FDBZ-WT), which is designed to contain the air-duct housings is available.

(For full details, refer to installation instructions for the respective air-duct housing.)

Note: When a self-contained duct detector with power supply is required, order Model FDBZ492-PR.

(For full details, refer to installation instructions part number A6V10330327.)

Sampling Tube Selection Table

Duct Width	Sampling Tube (Model No.)
For duct widths 6" to 1'	ST-10
For duct widths 1' to 3'	ST-25
For duct widths 3' to 5' (requires support)	ST-50
For duct widths 5' to 10' (requires support)	ST-100

Maintenance of the detector is easily accomplished via the removal of the duct-housing sampling chamber cover. The detector, which plugs into the housing, is easily removed for cleaning or replacing by a trained technician.

All that is necessary for installation of the air-duct detector is the cutting of three (3) small holes for the Sampling Tube installation (template included), and the drilling of two (2) holes for mounting the air-duct housing. The unit is then easily mounted in place, and connection made to the existing wires or terminals — if optional accessories are utilized. No mechanical tools are required for removing the cover or connecting the sampling and exhaust tubes to an air-duct housing.

Models ST-50 and ST-100 require support. However, Model ST-100 is shipped in two (2) 5-ft. (152 cm.) pieces with a coupling for field assembly.

Technical Data

Operating Temperature Ranges:	+32°F (0°C) to 120°F (49°C)
Sampling Tube Pressure Range of Differences:	> 0.01 inches; < 1.2 inches of water column
Relative Humidity:	0 — 95%; non-condensing
Air Pressure / Altitude Range:	No effect / No limitations
Air-Duct Velocity:	100 — 4,000 ft. / min (0.51— 20m / sec)
Dimensions:	{H-x-W-x-D} <ul style="list-style-type: none"> ▪ Rectangular: 14.38" -x- 5" -x- 2.5" (37 cm. -x- 12.7 cm. -x- 6.36 cm.) ▪ Square: 7.75" -x- 9" -x- 2.5" (19.7 cm. -x- 22.9 cm. -x- 6.36 cm.)
Detector Weight:	1.8 Lbs. (0.82 Kg.)

Operation

Based on the monitoring results, the LED indicator flashes the following colors based on the following conditions:

Flash Color	Condition	Flash Interval (in seconds)
Green*	Normal supervisory operation. Smoke sensitivity is within rated limits.	10
Yellow:	Detector is in <i>Trouble</i> condition, and needs either repair or replacement.	4
Red:	<i>Alarm</i> condition.	1
No Flash:	Detector is not powered.	--

* LED can be turned OFF.

Please follow the corresponding description of the panel used.

Compatible FACPs

Model Number	Data Sheet Number	Description
FC901	9813	50-point panel
FC922	9815	252-point addressable system
FC924	9815	504-point addressable system

Products included with the air-duct housing:

- (1) short-return (outlet) tube
- (1) stopper
- (2) #12 + 3/4" sheet-metal screws
- (1) mounting template

Note: Detector and sampling tube to be purchased separately. Minimum hardware required is: one (1) air-duct housing assembly; one (1) sampling tube and one (1) detector.

Details for Ordering

Model Number	Part Number	Description
FDBZ492	S54319-B22-A1	A two-wire addressable or conventional duct detector (without relays) designed for direct use on heating, ventilating and air-conditioning (HVAC) air-duct systems. When equipped, the air-duct detector housing will signal the presence of smoke being carried through the duct system. <u>For use with the following Models:</u> - 8710 - 8713 - OOH941 - OP121 - 8854 - HFPO-11 - OOH941 - PE-11 - FP-11 - HFP-11
FDBZ492-HR	S54319-B23-A1	A two-wire addressable duct detector (with relays) designed for direct use to HVAC air-duct systems. This part has a programmable relay base, and when equipped, the addressable air-duct detector housing will signal the presence of smoke being carried through the duct system. <u>For use with the following Models:</u> - 8710 - FP-11 - 8713 - HFP-11 - OOH941 - HFPO-11 - OOH941 - OP921
FDBZ492-R	S54319-B24-A1	A two-wire conventional duct detector with relays designed for direct use on HVAC air-duct systems. This detector has a relay base, and when equipped with conventional air-duct housing, will signal the presence of smoke being carried through the duct system. <u>For use with the following Models:</u> - PE-11 - OP121 - 8854
FDBZ492-PR	S54319-B25-A1	A four-wire conventional duct detector with relays and a built-in power supply. Housing is designed for direct use to HVAC air-duct systems. It has a relay base with a built-in power source. When equipped with conventional air-duct housing, this duct detector will signal the presence of smoke being carried through the duct system. <u>For use with the following Models:</u> - PE-11 - OP121 - 8854
FDBZ-RTL	S54319-S27-A1	Device is used for manual testing via a key-switch for the conventional detector, as well as the conventional air-duct housing with relay. It mounts remotely from the conventional air-duct housing, allowing for manual relay-output control. The duct-detector remote key-switch also indicates the current state of the detector. <u>For use with the following Models:</u> - PE-11 - OP121 - 8854
FDBZ-WT	S54319-B26-A1	An optional, separate watertight NEMA 4X enclosure (Model FDBZ-WT) that provides added watertight protection for any of the Model FDBZ492-series duct housings. The duct housing fits into the separate 4X enclosure. This part allows the air-duct detector housing to be installed in the separate enclosure, and can be used in either an outdoor area or in environments where excessive moisture is prevalent. <u>For use with the following Models:</u> - FDBZ492 - FDBZ492-R - FDBZ492-HR - FDBZ492-PR
ST-10	500-649710	Sampling tube for Ducts 6" to 1'
ST-25	500-649711	Sampling tube for Ducts over 1' to 3'
ST-50	500-649712	Sampling tube for Ducts 3' to 5'
ST-100	500-649713	Sampling tube for Ducts 5' to 10'

This Page Left Intentionally Blank

SIEMENS Cerberus™ PRO

Siemens Industry, Inc. – Building Technologies Div.
8 Fernwood Road • Florham Park, NJ 07932
Tel: (973) 593-2600 • Fax: (908) 547-6877
Web: www.USA.Siemens.com/Cerberus-PRO

NOTICE — The information contained in this data-sheet document is intended only as a summary, and is subject to change without notice. The devices described here have specific instruction sheets that cover various technical, limitation and liability information.

Copies of these instruction sheets and the *General Product Warning and Limitations* document, which also contains important information, are provided with the product and, are available from the Manufacturer.

Information contained in these documents should be consulted before specifying or using the product. For further information or assistance concerning particular problems contact the Manufacturer.

Notification Appliances

'SL' Series – Horns | Strobes |
Horn- Strobes

Applications: Indoor, Wall-Only

Architect & Engineer Specifications

- Sophisticated series of notification appliances that meets fire-industry codes and regulations for commercial-building applications
- Compatible with the Siemens 50-point, 252-point and 504-point addressable fire alarm control panels (FACPs), and with:
 - Siemens Modular FACPs
 - Siemens PAD-series of NAC extenders
 - FireFinder® XLS / XLSV FACPs
 - Siemens dual-sync control (DSC) modules
- Innovative LED strobe technology provides an energy-efficient means for a significantly reduced current draw
 - Capability to have existing Xenon and new LED strobes in the same field-of-view
 - Fewer power supplies required, smaller wire gage, reduced wire runs
- Straightforward installation coupled with compact, modern design
 - No visible mounting screws
 - Manual (index finger) slide-setting adjuster
 - Four (4) field-selectable settings in one (1) device: 15cd | 30cd | 75cd | 110cd
- Faceplates ship in four (4) distinctive types:
 - "FIRE" | "ALERT" | "AGENT" | (blank)
- Two (2) audible settings in each notification appliance
 - Temporal or steady horn output
 - High or Low setting
- UL (2034 | 1971 | 464) and ULC Listed (ULC-S525 | - S526)
 - ADA | NFPA | FCC | ANSI | OSHA compliant

Product Overview

Formed as the 'SL'-series, Siemens is now offering horns, strobes, and horn-strobes with LED based strobes to its notification-appliances portfolio. With the 'SL'-series, Siemens offers a full range of products with low and high candela settings that makes these sophisticated notification appliances ideal for new installs and retrofit applications.

Innovative light-emitting diode (LED) strobe technology provides an energy-efficient means for a significantly reduced current draw.

The strobe portion of these appliances meets the 20 millisecond light-pulse-duration requirements of the 2016 edition of NFPA 72. This feature allows existing Xenon and the new LED devices to be used in the same field-of-view.

In a single device, the 'SL'-series can provide alarm-signaling tones for dual applications. All strobe models in the series feature multi-Candela settings (15 | 30 | 75 | 110cd) on a single appliance.

Additionally, there are two (2) modes of operation for the audible portion of these notification appliances:

- T3 (coded)
- Continuous

The 'SL'-series of horns, strobes and horn-strobes devices are produced in a sleek, modern design. Its single-gang form factor provides high-quality energy efficiency in an aesthetically pleasing, low-profile design that is consistent to the look of the interior composition of the building application.

The 'SL'-series is apt for indoor wall-mount applications. The Model 'SLH'-series horn appliances work in either 12V or 24VDC, whereas the Series 'SLSW' and 'SLHSW' strobe and horn-strobe devices are specifically for 24V operation.



Model SLHR-N
Horn



Model SLSWW-ALA
Strobe

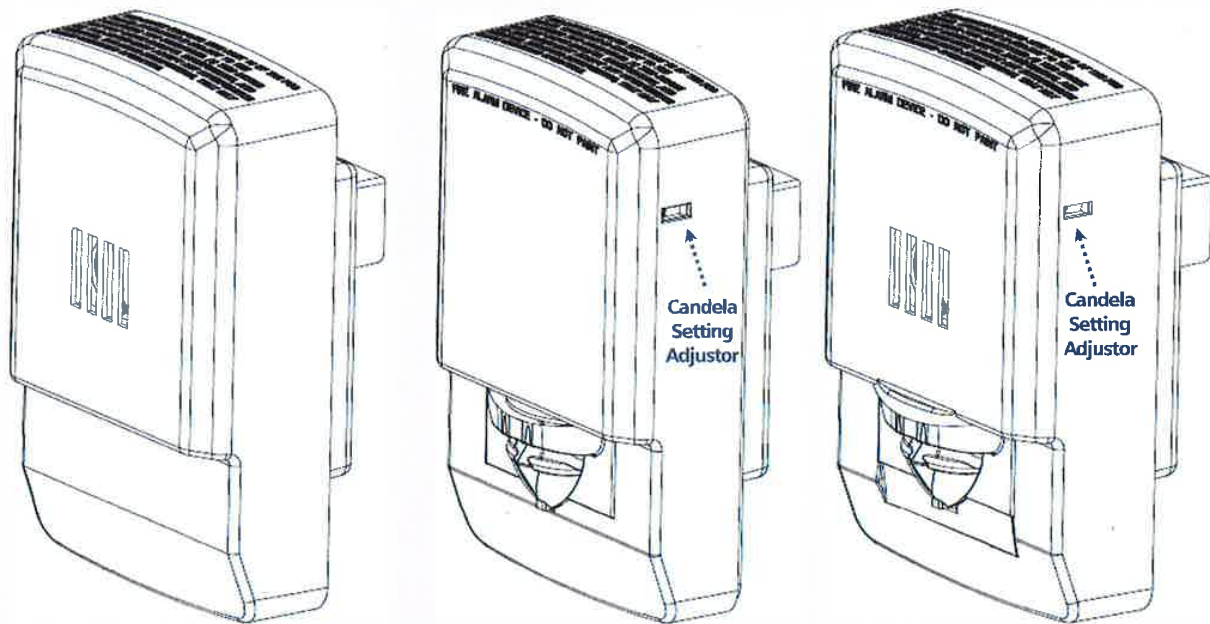


Model SLHSWR-F
Horn-Strobe



Siemens
Smart Infrastructure – Building Products

Data Sheet 2593
usa.siemens.com/fire



'SLHW' Series
Horn

TRIMPLATE DIMENSIONS:
5.25 inches (13.34 cm.) {H};
4.58 inches (11.6 cm.) {W};
0.32 inches (0.81 cm.) {D}

'SLSW' Series
Strobe

MOUNTING OPTIONS INCLUDE:
• Model SLSBBR or SLSBBW to any single-gang backbox
• 4" (10.2 cm.) square backboxes with the Model SLESB-KIT-R or SLESB-KIT-W adapter kit

'SLHSW' Series
Horn-Strobe

Specifications

In terms of composition and functionality, Models 'SLHW'-series, 'SLSW'-series, and 'SLHSW'-series provide added value to the installer for the types of applications for operation:

- Compact | sleek | low-profile design
- Comprehensive feature list
- Convenient mounting options
- Easy-to-adjust selection-slider switch for Candela settings
 - No tools required for setting changes
 - Multi-level settings: 15cd | 30cd | 75cd | 110cd
- High and Low audible outputs
- Reduced current draw, via cutting-edge LED technology

The LED portions of the Siemens 'SL'-series of strobes and horn-strobes meet the 20 millisecond light-pulse-duration requirements of the 2016 edition of NFPA 72. By meeting this latest requirement, existing Xenon as well as the new LED-technology devices can now be in the same field-of-view.

The horn, strobe and horn-strobes in this Siemens 'SL'-series of notification appliances have received UL / ULC Listed status by attaining compatible testing standards with all of the Siemens fire-alarm control panels (FACPs) and accessories that have been determined to be aligned with existing Siemens strobe-based appliances.

This would include the following existing model-types: 'CH' 'HS' 'MTH' 'S-HQ' 'SA' 'SE' 'SEF' 'SET' 'ST' 'STH' 'ZR' and 'ZH' Series notification appliances. The regulatory listing also includes the capability for installing the Siemens 'SL'-series LED-based strobes in the same notification zone and field-of-view with any existing Siemens Notification Appliance Xenon-based strobes.

All types of these horns, strobes and horn-strobes are UL Listed (for indoor use under Standard 1971 and 464), as well as ULC-S525/ULC-S526 Listed. The Siemens 'SL'-series sounder-strobes also have ADA | RoHS and ICES approval.

Technical Data

Wall-Mount | Horn-Strobes | Output Current Draw

Current Ratings (HIGH dB in Amps)					
16.0 – 33.0VDC					
MODEL	Setting	15cd	30cd	75cd	110cd
'SLHSW'	Code 3	0.034	0.046	0.105	0.214
SERIES: ^a	Continuous	0.042	0.052	0.110	0.217

Wall-Mount | Horn-Strobes | Output Current Draw

Current Ratings (LOW dB in Amps)					
16.0 – 33.0VDC					
MODEL	Setting	15cd	30cd	75cd	110cd
'SLHSW'	Code 3	0.032	0.042	0.102	0.213
SERIES: ^a	Continuous	0.036	0.044	0.104	0.216

Wall-Mount | Strobe-Only | Output Current Draw

Current Ratings (Code 3 in Amps)			
RMS Current @ 24VDC			
MODEL	Regulated Voltage Range	High	Low
'SLHW'	8.0 – 17.50 VDC	0.024	0.018
SERIES: ^a	16.0 – 33.0 VDC	0.030	0.022

Wall-Mount | Strobe-Only | Output Current Draw

Current Ratings (Code 3 in Amps)					
RMS Current @ 24VDC					
MODEL	Regulated Voltage Range	15cd	30cd	75cd	110cd
'SLSW'	16.0 – 33.0 VDC	0.030	0.040	0.102	0.201
SERIES: ^a					

Wall Mount | Horn | Output Ratings (UL)

UL Sound Output Ratings (dBA)							
Reverberant per UL464 @ 10 feet							
MODEL	Volume	SLHW @ 12VDC			SLHW-and- SLHSW @ 24VDC		
		8.0V	12.0V	17.5V	16.0V	24.0V	33.0V
'SLHW'-and-'SLHSW'	Code 3 High dBA	75	80	83	76	79	81
	Code 3 Low dBA	73	77	80	75	77	77
SERIES: ^a	Continuous High dBA	80	84	87	80	83	86
	Continuous Low dBA	78	79	84	78	81	81

Wall Mount | Horn | Output Ratings (ULC)

ULC Sound Output Ratings (dBA)							
Anechoic per ULCS525-16 @ 3.05 meters							
MODEL	Volume	SLHW @ 12VDC			SLHW-and- SLHSW @ 24VDC		
		8.0V	12.0V	17.5V	16.0V	24.0V	33.0V
'SLHW'-and-'SLHSW'	Code 3 High dBA	85	89	92	91	95	96
	Code 3 Low dBA	79	84	87	86	90	91
SERIES: ^a	Continuous High dBA	85	89	92	91	94	97
	Continuous Low dBA	79	84	87	86	90	92

^aRMS current ratings are per UL maximum RMS method. UL max current rating is the maximum RMS current within the listed voltage range (16 - 33V for 24V units)
^a For audible appliances, the max current is usually at the maximum listed voltage (16 - 33V for 24V units)
^a For unfiltered FWR ratings, see installation instructions

GENERAL NOTES:

1. Strobes are designed to flash at 1-flash-per-second minimum over their "Regulated Voltage Range."
2. NFPA-72 specifies a flash rate of 1-to-2 flashes-per-second, and guidelines for the Americans with Disabilities Act (ADA) specify a flash rate of 1-to-3 flashes-per-second.
3. All Candela ratings represent minimum effective Strobe intensity based on UL 1971.

Technical Data

General Properties

MODEL 'SL'-series	
OPERATING TEMPERATURE:	<ul style="list-style-type: none"> 32°F (0°C) to 122°F (50°C) for indoor-applications' use only
RELATIVE HUMIDITY:	93%, maximum
OPERATING VOLTAGE RANGES:	<ul style="list-style-type: none"> 12 VDC / VFWR → 8 - 17.5 VDC / VFWR; 24 VDC / VFWR → 16 - 33 VDC/VFWR (12 VDC for Model SLHW only)
STROBE OUTPUT RATING:	<ul style="list-style-type: none"> UL 1971, ULC-S526 Field-selectable 15cd 30cd 75cd 110cd Candela outputs
STROBE FLASH RATE:	Strobes are designed to flash at one-flash-per-second
STROBE SYNCHRONIZATION:	<ul style="list-style-type: none"> all Siemens addressable panels Siemens PAD-series NAC extenders Siemens dual-sync (DSC) modules, which provide the unique Siemens proprietary synchronization protocol
TEMPORAL PATTERN:	<ul style="list-style-type: none"> Continuous Code 3 (1/2 second on, 1/2 second off; then 1/2 second on, 1/2 second off, followed by 1/2 second on, 1-1/2 second off and repeat) <p>NOTES: The Code 3 pattern is specified by ANSI and NFPA 72 for Standard Emergency Evacuation Signaling.</p>

Physical Properties

MODEL 'SL'-series									
MATERIAL:	<ul style="list-style-type: none"> White-or-red textured, ultraviolet (UV) stabilized, colored impregnated engineered plastic Exceeds 94V-0 UL flammability rating 								
WEIGHT:	0.35 Lbs. (0.16 Kg.)								
LENS TYPE:	LED strobe situated in a rugged Lexan lens								
DIMENSIONS:	<table border="1"> <thead> <tr> <th>Actual Appliance:</th> <th>Single-Gang Trim Plate:</th> </tr> </thead> <tbody> <tr> <td>4.53" (11.5 cm.) { H };</td> <td>5.25" (13.3 cm.) { H };</td> </tr> <tr> <td>2.76" (7.0 cm.) { W };</td> <td>4.58" (11.6 cm.) { W };</td> </tr> <tr> <td>1.27" (3.23 cm.) { D }</td> <td>0.32" (0.81 cm.) { D }</td> </tr> </tbody> </table>	Actual Appliance:	Single-Gang Trim Plate:	4.53" (11.5 cm.) { H };	5.25" (13.3 cm.) { H };	2.76" (7.0 cm.) { W };	4.58" (11.6 cm.) { W };	1.27" (3.23 cm.) { D }	0.32" (0.81 cm.) { D }
Actual Appliance:	Single-Gang Trim Plate:								
4.53" (11.5 cm.) { H };	5.25" (13.3 cm.) { H };								
2.76" (7.0 cm.) { W };	4.58" (11.6 cm.) { W };								
1.27" (3.23 cm.) { D }	0.32" (0.81 cm.) { D }								

Mounting and Wiring Properties

MODEL 'SL'-series	
INDOOR MOUNTING:	<ul style="list-style-type: none"> Wall-mount applications Single-gang (Model SLSBB) backboxes or to 4" (10.2 cm.) square with Model SLESB-KIT-R or SLESB-KIT-W adapter kit
WIRING TYPE:	#12 – #18, American Wire Gauge (AWG)

Details for Ordering

MODEL	PART NUMBER	APPLIANCE TYPE	UL	ULC	MOUNTING TYPE	STROBE TYPE	FACEPLATE COLOR	FACEPLATE LETTERING
SLHWR-N	S54329-F23-A1	Horn	✓	✓	WALL	- None -	RED	- None -
SLHWW-N	S54329-F23-A2		✓	✓	WALL	Clear	WHITE	- None -
SLHWR-F	S54329-F22-A1	Horn-Strobe	✓	—	WALL	Clear	RED	FIRE
SLHWW-F	S54329-F22-A2		✓	—	WALL	Clear	WHITE	FIRE
SLHWR-FB	S54329-F24-A1	Horn-Strobe	—	✓	WALL	Clear	RED	- Pictogram -
SLHWW-FB	S54329-F24-A2		—	✓	WALL	Clear	WHITE	- Pictogram -
SLHWR-A	S54329-F31-A2	Horn-Strobe	✓	✓	WALL	Clear	RED	AGENT
SLHWW-A	S54329-F34-A2		✓	✓	WALL	Clear	WHITE	AGENT
SLHWR-N	S54329-F34-A1	Horn-Strobe	✓	—	WALL	Clear	RED	- None -
SLHWW-N	S54329-F37-A1		✓	—	WALL	Clear	WHITE	- None -
SLHWW-AL	S54329-F35-A1	Horn-Strobe	✓	✓	WALL	Clear	WHITE	ALERT
SLHWR-AL	S54329-F32-A1		✓	✓	WALL	Clear	RED	ALERT
SLSWR-F	S54329-F25-A1	Strobe	✓	—	WALL	Clear	RED	FIRE
SLSWW-F	S54329-F25-A2		✓	—	WALL	Clear	WHITE	FIRE
SLSWW-FB	S54329-F26-A1	Strobe	—	✓	WALL	Clear	WHITE	- Pictogram -
SLSWR-FB	S54329-F26-A2		—	✓	WALL	Clear	RED	- Pictogram -
SLSWR-A	S54329-F27-A1	Strobe	✓	—	WALL	Clear	RED	AGENT
SLSWW-AL	S54329-F27-A2	Strobe	✓	✓	WALL	Clear	WHITE	ALERT
SLSWR-AL	S54329-F28-A1		✓	✓	WALL	Clear	RED	ALERT
SLSWW-ALA	S54329-F28-A2	Strobe	✓	✓	WALL	Amber	WHITE	ALERT
SLSWR-ALA	S54329-F29-A1		✓	✓	WALL	Amber	RED	ALERT
SLSWR-NA	S54329-F29-A2	Strobe	✓	✓	WALL	Amber	RED	- None -
SLSWW-NA	S54329-F30-A1		✓	✓	WALL	Amber	WHITE	- None -
SLSWW-N	S54329-F30-A2	Strobe	✓	—	WALL	Clear	WHITE	- None -
SLSWR-N	S54329-F31-A1		✓	—	WALL	Clear	RED	- None -
SLSBBR	S54329-F21-A1	Backbox	✓	✓	WALL	- None -	RED	- None -
SLSBBW	S54329-F21-A2		✓	✓	WALL	- None -	WHITE	- None -
SLESB-KIT-R	S54329-F64-A1	Optional Single-Gang Trim Plate	✓	✓	WALL	- None -	RED	- None -
SLESB-KIT-W	S54329-F64-A2		✓	✓	WALL	- None -	WHITE	- None -

NOTICE - The information contained in this data-sheet document is intended only as a summary, and is subject to change without notice. The product(s) described here has/have a specific instruction sheet(s) that cover various technical, limitation and liability information.

Copies of install-type, instruction sheets – as well as the *General Product Warning and Limitations* document, which also contains important data, are provided with the product. All are available from the Manufacturer.

Data contained in the aforesaid type of documentation should be consulted with a fire-safety professional before specifying or using the product.

Any further questions or assistance concerning particular problems that might arise, relative to the proper functioning of the equipment, please contact the Manufacturer.



Siemens Industry, Inc.
Smart Infrastructure – Building Products
8 Fernwood Road • Florham Park, NJ 07932
Tel: (973) 593-2600

October - 2019
(Rev. 3)

Notification Appliances

`SL' Series – Horns | Strobe
| Horn-Strobes

Applications: Indoor, Ceiling-Only

Architect & Engineer Specifications

- Sophisticated series of notification appliances that meets fire-industry codes and regulations for commercial-building applications
- Compatible with the Siemens 50-point, 252-point and 504-point addressable fire alarm control panels (FACPs), and with:
 - Siemens Modular FACPs
 - Siemens PAD-series of NAC extenders
 - FireFinder® XLS / XLSV FACPs
 - Siemens dual-sync control (DSC) modules
- Innovative LED strobe technology provides an energy-efficient means for a significantly reduced current draw
 - Capability to have existing Xenon and new LED strobes in the same field-of-view
 - Fewer power supplies required, smaller wire gage, reduced wire runs
- Straightforward installation coupled with compact, modern design
 - No visible mounting screws
 - Manual (index finger) slide-setting adjustor
 - Four (4) field-selectable settings in one (1) device: 15cd | 30cd | 75cd | 95cd
- Faceplates ship in four (4) distinctive types:
 - "FIRE" | "ALERT" | "AGENT" | (blank)
- Two (2) audible settings in each notification appliance
 - Temporal or steady horn output
 - High or Low setting
- UL (2034 | 1971 | 464) and ULC Listed (ULC-S525 | - S526)
 - ADA | NFPA | FCC | ANSI | OSHA compliant

Product Overview

Formed as the `SL'-series, Siemens is now offering horns, strobes, and horn-strobes to its notification-appliances portfolio. With the `SL'-series, Siemens now offers an additional range of products with low and high candela settings that makes these sophisticated notification appliances ideal for new installs and retrofit applications.

Innovative light-emitting diode (LED) strobe technology provides an energy-efficient means for a significantly reduced current draw.

The strobe portion of these appliances meets the 20 millisecond light-pulse-duration requirements of the 2016 edition of NFPA 72. This feature allows existing Xenon and the new LED devices to be used in the same field-of-view.

In a single device, the `SL'-series can provide alarm-signaling tones for dual applications. All strobe models in the series feature multi-candela settings (15 | 30 | 75 | 95cd) on a single appliance.

Additionally, there are two (2) modes of operation for the audible portion of these notification appliances:

- T3 (coded)
- Continuous

The `SL'-series of horns, strobes and horn-strobes devices are produced in a sleek, modern design. Its single-gang form factor provides high-quality energy efficiency in an aesthetically pleasing, low-profile design that is consistent to the look of the interior composition of the building application.

This `SL'-series is exclusive to indoor ceiling-mount applications. The Model `SLHC'-series horn appliances work in either 12V or 24VDC, whereas the Series `SLSC' and `SLHSC' strobe and horn-strobe devices are specifically for 24V operation.



Model SLHSCR-F
Horn-strobe

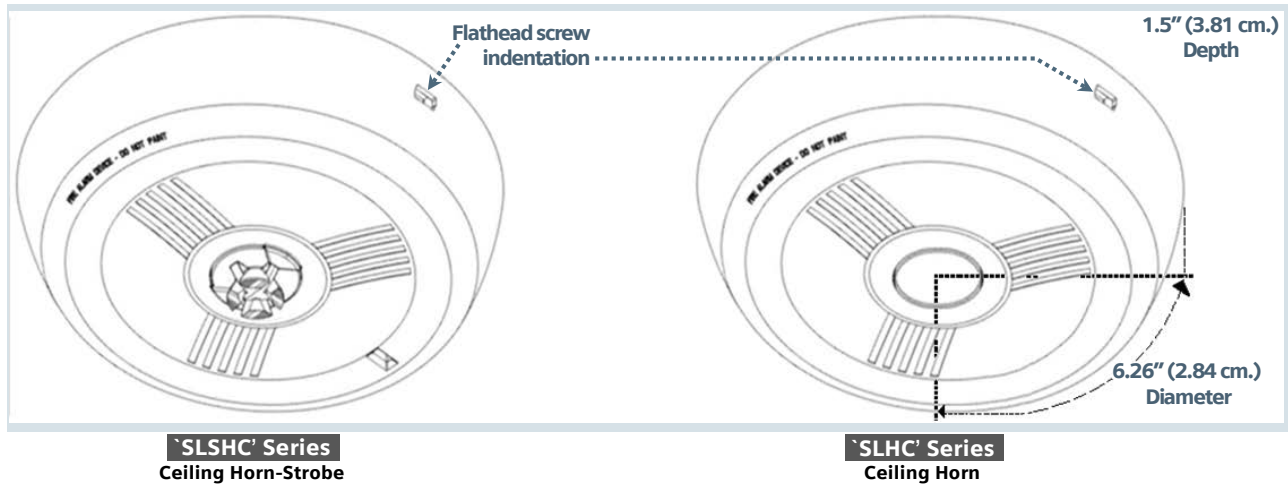


Model SLSCW-AL
Strobe



Model SLHCR-N
Horn





Specifications

In terms of composition and functionality, Models `SLHC`-series, `SLSC`-series, and `SLHSC`-series provide added value to the installer for the types of applications for operation:

- Compact | sleek | low-profile design
- Comprehensive feature list
- Convenient mounting options
- Easy-to-adjust selection-slider switch for candela settings
 - No tools required for setting changes
 - Multi-level settings: 15cd | 30cd | 75cd | 95cd
- High and Low audible outputs
- Reduced current draw, via cutting-edge LED technology

The LED portions of the Siemens `SL`-series of strobes and horn-strobes meet the 20 millisecond light-pulse-duration requirements of the 2016 edition of NFPA 72. By meeting this latest requirement, existing Xenon as well as the new LED-technology devices can now be in the same field-of-view.

The horn, strobe and horn-strobes in this Siemens `SL`-series of notification appliances have received UL / ULC Listed status by attaining compatible testing standards with all of the Siemens fire-alarm control panels (FACPs) and accessories that have been determined to be aligned with existing Siemens strobe-based appliances.

This would include the following existing model-types: `CH` | `HS` | `MTH` | `S-HQ` | `SA` | `SE` | `SEF` | `SET` | `ST` | `STH` | `ZR` and `ZH` Series notification appliances. The regulatory listing also includes the capability for installing the Siemens `SL`-series sounder-strobes in the same notification zone and field-of-view with any existing Siemens Notification Appliance Xenon-based strobes.

All these horns, strobes and horn-strobes models are UL Listed (for indoor use under Standard 1971 and 464), as well as ULC-S525 | ULC-S526 Listed. The Siemens `SL`-series sounder-strobes also have ADA | RoHS and ICES approval.

Electrical Ratings

Ceiling-Mount | Horn-Strobes Output Current Draw

UL Current Ratings (HIGH dB in Amps) Reverberant per UL464 @ 10 feet Anechoic per ULC-S525-16 @ 3.05 meters					
MODEL 'SLHSC'	Regulated Voltage Range	15cd	30cd	75cd	95cd
SERIES: ^a	16.0 – 33.0 Volts DC	0.044	0.065	0.182	0.268

Ceiling-Mount | Horn-Strobes Output Current Draw

UL Current Ratings (LOW dB in Amps) Reverberant per UL464 @ 10 feet Anechoic per ULC-S525-16 @ 3.05 meters					
MODEL 'SLHSC'	Regulated Voltage Range	15cd	30cd	75cd	95cd
SERIES:	16.0 – 33.0 Volts DC	0.042	0.064	0.181	0.256

Ceiling-Mount | Horn-Only Output Current Draws

Current Ratings (Code 3 in Amps) RMS Current @ 24 Volts DC			
MODEL 'SLHC'	Regulated Voltage Range, VDC	High	Low
SERIES: ^a	8.0 – 17.50 VDC	0.024	0.018
	16.0 – 33.0 VDC	0.030	0.022

Ceiling-Mount | Strobe Output Current Draws

Current Ratings (in Amps) RMS Current @ 24 Volts DC					
MODEL 'SLSC'	Regulated Voltage Range	15cd	30cd	75cd	95cd
SERIES: ^a	16.0 – 33.0 Volts DC	0.040	0.058	0.171	0.256

^a RMS current ratings are per UL maximum RMS method.
UL max current rating is the maximum RMS current within the listed voltage range (16 - 33V for 24V units)

^a For audible appliances, the max current is usually at the maximum listed voltage (16 - 33V for 24V units)

^a For unfiltered FWR ratings, see installation instructions

GENERAL NOTES:

1. Strobes are designed to flash at 1-flash-per-second minimum over their "Regulated Voltage Range."
2. NFPA-72 specifies a flash rate of 1-to-2 flashes-per-second, and guidelines for the Americans with Disabilities Act (ADA) specify a flash rate of 1-to-3 flashes-per-second.
3. All candela ratings represent minimum effective Strobe intensity based on UL 1971.

Technical Data

General Properties

MODEL 'SL'-series	
OPERATING TEMPERATURE:	<ul style="list-style-type: none"> 32°F (0°C) to 122°F (50°C) for indoor-applications' use only
RELATIVE HUMIDITY:	93%, maximum
OPERATING VOLTAGE RANGES:	<ul style="list-style-type: none"> 12 VDC / VFWR → 8 - 17.5 VDC / VFWR; 24 VDC / VFWR → 16 - 33 VDC/VFWR (12 VDC for Model SLHC only)
STROBE OUTPUT RATING:	<ul style="list-style-type: none"> UL 1971, ULC-S526 Field-selectable 15cd 30cd 75cd 95cd candela outputs
STROBE FLASH RATE:	Strobes are designed to flash at one-flash-per-second
STROBE SYNCHRONIZATION:	<ul style="list-style-type: none"> all Siemens addressable panels Siemens PAD-series NAC extenders Siemens dual-sync (DSC) modules, which provide the unique Siemens proprietary synchronization protocol
TEMPORAL PATTERN:	<ul style="list-style-type: none"> Continuous Code 3 (1/2 second on, 1/2 second off; then 1/2 second on, 1/2 second off; followed by 1/2 second on, 1-1/2 second off and repeat) <p>NOTES: The Code 3 pattern is specified by ANSI and NFPA 72 for Standard Emergency Evacuation Signaling.</p>

Physical Properties

MODEL 'SL'-series	
MATERIAL:	<ul style="list-style-type: none"> White-or-red textured, ultraviolet (UV) stabilized, colored impregnated engineered plastic Exceeds 94V-0 UL flammability rating
WEIGHT:	0.55 Lbs. (0.25 Kg.)
LENS TYPE:	LED strobe situated in a rugged Lexan lens
DIMENSIONS:	3.13" (7.95 cm.) { H }; 3.13" (7.95 cm.) { W }; 1.5" (3.81 cm.) { D }

Mounting and Wiring Properties

MODEL 'SL'-series	
INDOOR MOUNTING:	<ul style="list-style-type: none"> Ceiling-mount applications Single-gang (Model SLSBBC) backboxes or to 4" (10.2 cm.) square 1.5" (cm.) -or- 2.125" (cm.) octagonal 1.5" (cm.) -or- 2.125" (cm.) deep
WIRING TYPE:	#12 – #18, American Wire Gauge (AWG)

Details for Ordering

MODEL	PART NUMBER	APPLIANCE TYPE	MOUNTING TYPE	STROBE TYPE	FACEPLATE COLOR	FACEPLATE LETTERING
SLHCR-N	S54329-F12-A1	Horn	Ceiling	– None –	RED	– None –
SLHCW-N	S54329-F12-A2			– None –	WHITE	– None –
SLHSCW-F	S54329-F13-A1	Horn-Strobe	Ceiling	Clear	WHITE	FIRE
SLHSCR-F	S54329-F13-A2			Clear	RED	FIRE
SLHSCR-FB	S54329-F14-A1	Horn-Strobe (for ULC)	Ceiling	Clear	RED	– Pictogram –
SLHSCW-FB	S54329-F14-A2			Clear	WHITE	– Pictogram –
SLSCW-F	S54329-F15-A1	Strobe	Ceiling	Clear	WHITE	FIRE
SLSCR-F	S54329-F15-A2			Clear	RED	FIRE
SLSCW-FB	S54329-F16-A1	Strobe (for ULC)	Ceiling	Clear	RED	– Pictogram –
SLSCR-FB	S54329-F16-A2			Clear	WHITE	– Pictogram –
SLSCW-AL	S54329-F17-A1	Strobe	Ceiling	Clear	WHITE	ALERT
SLSCR-AL	S54329-F17-A2			Clear	RED	ALERT
SLSCW-ALA	S54329-F18-A1	Strobe	Ceiling	Amber	WHITE	ALERT
SLSCR-ALA	S54329-F18-A2			Amber	RED	ALERT
SLSCW-NA	S54329-F19-A1	Strobe	Ceiling	Amber	WHITE	– None –
SLSCR-NA	S54329-F19-A2			Amber	RED	– None –
SLSCW-N	S54329-F20-A1	Strobe	Ceiling	Clear	WHITE	– None –
SLSCR-N	S54329-F20-A2			Clear	RED	– None –
SLHSCR-A	S54329-F32-A2	Horn-Strobe	Ceiling	Clear	RED	AGENT
SLHSCW-A	S54329-F35-A2			Clear	WHITE	AGENT
SLHSCR-AL	S54329-F33-A1	Horn-Strobe	Ceiling	Clear	RED	ALERT
SLHSCW-AL	S54329-F36-A1			Clear	WHITE	ALERT
SLHSCR-N	S54329-F33-A2	Horn-Strobe	Ceiling	Clear	RED	– None –
SLHSCW-N	S54329-F36-A2			Clear	WHITE	– None –
SLSCW-A	S54329-F65-A1	Strobe	Ceiling	Clear	WHITE	AGENT
SLSCR-A	S54329-F37-A2			Clear	RED	AGENT
SLSBBCR	S54329-F55-A1	Backbox	Ceiling	– None –	RED	– None –
SLSBBCW	S54329-F55-A2			– None –	WHITE	– None –

NOTICE – The information contained in this data-sheet document is intended only as a summary, and is subject to change without notice.

The product(s) described here has/have a specific instruction sheet(s) that cover various technical, limitation and liability information.

Copies of install-type, instruction sheets – as well as the *General Product Warning and Limitations* document, which also contains important data, are provided with the product, and are available from the Manufacturer.

Data contained in the aforesaid type of documentation should be consulted with a fire-safety professional before specifying or using the product.

Any further questions or assistance concerning particular problems that might arise, relative to the proper functioning of the equipment, please contact the Manufacturer.



Siemens Industry, Inc.
Building Technologies Division
8 Fernwood Road • Florham Park, NJ 07932
Tel: (973) 593-2600

April 2018 – Supersedes sheet dated 3/2018
(Rev. 1)

Cerberus PRO

Remote Annunciator for the 50-Point Addressable System

Models FSD901-U3, FSD901-R3

ARCHITECT AND ENGINEER SPECIFICATIONS

- Displays the existing status of the 50-point addressable fire alarm control panel (FACP)
- Liquid-crystal display (LCD) screen shows the same event message display as the main FACP display
- Includes light-emitting diodes (LEDs) for system status
- Supports 'Acknowledge'; 'Alarm Silence'; 'Unsilence,' and 'Reset' controls
- Keyswitch prevents unauthorized access

Product Overview

Model FSD901-U3 / R3 are separate LED / LCD remote annunciators that show the existing status of the 50-point addressable FACP (Model FC901). Each remote annunciator connects to the 50-point FACP through a built-in RS-485 connection on the main board.

A 3.5-inch (8.9 centimeters) by 1.5" (3.8 centimeters) LCD screen will give details of the event in alphanumeric form. The display screen can be scrolled to reveal additional events. Each screen supports 182 characters: seven (7) lines with 26 characters per line.

Optional remote-system-control capabilities are also available. A keyswitch is also provided to prevent unauthorized access to the control operations.

Additionally, Model FSD901-U3 / R3 contains navigation keys that are used for scrolling through the list of FACP events. The programming software is held in flash electrically erasable programmable read-only memory (EEPROM).

The remote annunciators are FM (#3010); CSFM (#7165-0067:0259) and FDNY (#6104) Approved.

Cerberus™ PRO

Fire Safety & Security Products

Remote Annunciator for the 50-Point Fire Alarm Control Panel



- ©UL 864 9th Edition Listed; FM, CSFM & NYC Fire Department Approved

Each Model FSD901-U3 / R3 Remote Annunciator supports the following LEDs for system-status conditions: *Power, Alarm, Trouble, Supervisory* and *Ground-Fault*.

Note: Each remote annunciator can have its own 'Normal' system message. Further, Model FSD901-U3 / R3 can be configured to display any aforesaid system command, or any combination of FACP events.

There are also LEDs to indicate when audible circuits are 'active' or 'silenced.' Each remote annunciator supports four (4) system-control buttons, including: 'Acknowledge'; 'Alarm Silence'; 'Unsilence,' and 'Reset'.

The dimensions for each Model FSD901-U3 / R3 remote annunciator are as follows:


Approximate size: 8.5" (21.6 cm.) [H];
11.25" (28.8 cm.) [W];
2.5" (6.4 cm.) [D]

Note: Up to eight (8) remote annunciators are supported for each 50-point addressable FACP.

The weight of each remote annunciator is approximately 4 Lbs [1814 g].

9817

Temperature and Humidity Range

Each Model FSD901-U3 / R3 Remote Annunciator is  UL 864 9th Edition Listed for indoor dry locations within a temperature range of 120+/-3°F (49+/-2°C) to 32+/-3°F (0+/-2°C) and a relative humidity of 93+/-2% at a temperature of 90+/-3°F (32+/-2°C).

Related Documentation

Product	Data Sheet Number
50-point Addressable System	9813

Details for Ordering

Model Number	Part Number	Description
FSD901-U3	S54433-C102-A1	Remote Annunciator, Black {for the 50-point addressable system}
FSD901-R3	S54433-C102-A2	Remote Annunciator, Red {for the 50-point addressable system}

SIEMENS Cerberus™ PRO

Siemens Industry, Inc. — Building Technologies Div.
8 Fernwood Road • Florham Park, NJ 07932
Tel: (973) 593-2600 • Fax: (908) 547-6877
Web: www.USA.Siemens.com/Cerberus-PRO

NOTICE — The information contained in this data-sheet document is intended only as a summary, and is subject to change without notice. The devices described here have specific instruction sheets that cover various technical, limitation and liability information.

Copies of these instruction sheets and the *General Product Warning and Limitations* document, which also contains important information, are provided with the product and, are available from the Manufacturer.

Information contained in these documents should be consulted before specifying or using the product. For further information or assistance concerning particular problems contact the Manufacturer.

Cerberus PRO

50-Point Addressable Fire Alarm Control Panel

Model FC901

ARCHITECT AND ENGINEER SPECIFICATIONS

- Fire alarm control panel (FACP) for up to 50 addressable points that is comprised of the following three (3) system components:
 - Main board (Model FCM901-U3)
 - 6.5 Amps (170-Watt power supply (Model FP2011-U1)
 - System enclosure (Model FH901-U3 / R3)
- System features:
 - Supports 50 addressable devices on one (1) 'Class A', or two (2) 'Class B' circuits
 - Includes one (1) 'Class A', or two (2) 'Class B' notification appliance circuits (NACs)
 - Built-in digital alarm communication transmitter (DACT)
 - Supports Carbon Monoxide (CO) detection
 - Downloads, prints system-event history & detector sensitivity
 - Supervised remote printer (Model FCA2018-U1)
 - Optional connectivity to a leased-line / city-tie module (Model FCI2020-U1)
 - Built-in RS-485 connection for remote annunciators
 - Resettable and non-resettable 24VDC auxiliary power
 - Off-normal warning message prior to reset
 - Fast and easy set-up with custom-configuration tool
 - Supports a 182-character display



- **Alphanumeric keypad**
 - for manual configuration
- **UL 864 9th Edition Listed;**
FM, CSFM & NYC Fire Department Approved

Product Overview

Model FC901 is an intelligent FACP that provides a cost-effective, feature-rich solution for small fire-alarm system applications.

Small and compact in design, Model FC901 is ideal for small fire-protection applications using less than 50 addressable devices:

- Retail outlets / strip malls
- doctors' offices
- Dry-cleaner shops
- restaurants, etc.

With its built-in DACT and two (2) NACs, Model FC901 is powerful enough to economically meet the needs of these applications. Each 50-point FACP is FM (#3010); FDNY (#6104) and CSFM (#7165-0067:0259) Approved.

Specifications

The Model FC901 FACP consists of a main board (Model FCM901-U3); a 170-Watt power supply (Model FP2011-U1), and a Model FH901-U3 / R3 system enclosure. The programming software for Model FC901 is held in flash electrically erasable programmable read-only memory (EEPROM).

Main Board

The Model FCM901-U3 main board provides system display and control, as well as connections for system field wiring, via removable terminal blocks.

The 3.5-inch (8.9 centimeters) by 1.5" (3.8 centimeters) liquid-crystal display (LCD) screen shows all system messages and event status. Each screen supports 182 characters: seven (7) lines with 26 characters per line. Each event may have a custom message up to 40 characters that describes the event's location.

The backlit LCD screen illuminates on any system event or manual key press. New, 'unacknowledged' events are indicated by a flashing exclamation point ('!'). Once 'acknowledged,' the exclamation point changes to a check mark ('✓'). A system-status line shows the quantity of events presently active.

Since each main board contains a built-in RS-485 communication bus, Model FCM901-U3 readily supports system-status light-emitting diodes (LEDs) for *Power, Alarm, Trouble, Supervisory* and *Ground Fault* system commands.

Cerberus® PRO

Fire Safety Products

9813

Feature-rich solution for 50-pt. addressable FACP's

Answers for infrastructure

SIEMENS

Specifications

Main Board – (continued)

There are also LEDs to indicate when audible circuits are 'active' or 'silenced.' The main board supports four (4) system-control buttons, including: *Acknowledge*; *Alarm Silence*; *Unsilence*, and *Reset*.

The system offers an off-normal warning feature, alerting users when active devices are not ready for reset. These active devices may include manual stations that have not been reset; smoke detectors with smoke remaining in the optical chamber, etc.

Additionally, the main board supports an alphanumeric keypad, as well as navigation keys, which are used for scrolling maintenance functions and system configuration.

The main board supports connection for up to 50 addressable devices, via one (1) 'Class A', or two (2) 'Class B' circuits. The loop supports all C-NET devices, including the Cerberus PRO intelligent and Model 'H'-series devices. The main board also supports one (1) 'Class A' or two (2) 'Class B' NACs.

Each NAC supports a maximum 2.5 Amps – with 2.5 Amps, max, allowed between the NACs. Each NAC can be set to a synchronized strobe, for horn-strobe devices, or for audible devices. Audible devices can be set for:

- 'STEADY'
- 'ANSI Temporal 3' / 'ANSI Temporal 4'
- 'March Time 30 / 60 / 120 Codes'

The main board supports four (4) 'Form C' relays for *Alarm*, *Trouble*, *Supervisory* and *User Programmable* events. Each relay is rated at 2 Amps at 30VDC maximum, resistive. The main board supports two (2) auxiliary 24VDC connections. Upon system reset, one (1) connection interrupts the power for five seconds for use with (4) four-wire conventional detectors. Each auxiliary-power output is 24VDC, nominal – rated at 0.75 Amps.

The main board contains a built-in DACT that provides communication between Model FC901 and with the central or remote monitoring station. The built-in DACT supports two (2) separate programmable accounts, as well as two (2) connections to the public-switched telephone network. The connections support RJ31X male connectors.

(For compatibility with each Model FC901 FACP, see the **Central Station Receiver Compatibility Table** on the last page of this data-sheet document.)

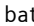
The main board contains a battery-charging circuit, providing connection to lead-acid batteries rated at 24VDC, nominal. The main board can charge up to 18 AH batteries.

The main board contains a universal serial bus (USB) connector that supports connection for system configuration and module firmware upload, via the custom-configuration tool.

Model FC901 can be configured using the custom-configuration tool or manually from the alphanumeric keypad on the main board. An auto-configuration feature creates a basic system configuration of all connected devices to accelerate initial system commissioning.

50-Point Addressable System Enclosure

The Model FH901-U3 / R3 enclosure for the 50-point addressable fire system, Model FC901, supports all system modules. The enclosure also supports up to 12AH batteries.

Note: For systems requiring larger than 12AH batteries, use a  UL Listed battery box.

The Model FH901-U3 / R3 enclosure for the 50-point panel is comprised of a dual-mounting setup that allows the main board to be partially mounted in a lower-to-upper position. When temporarily installed in the lower position, technicians are allowed more space to install field wiring at the time of system set-up. When field-wiring installation is complete, the main board shall be moved to the upper position for standard mounting prior to applying power to the system.

Additionally, the enclosure supports an optional battery bracket (Model FHA901-U1) that can be used to secure batteries up to 12AH. Model FHA901-U1 is required to comply with seismic certification, pursuant to ASC / SEI 7-05, Section 13.2.2.

A flush-mount trim kit (Model FHA902-U1 / R1) is also available for use when flush mounting Model FH901-U3 / R3.

50-Point Power Supply

The Model FCM901-U3 main board also supports connection to the system power supply. The 6.5A (170-Watt) power supply (Model FP2011-U1) incorporates a 4.0A, non-resettable slow-blow fuse on the primary input, and includes a built-in AC-line filter for surge and noise suppression. Model FP2011-U1 mounts in a standard Siemens – Fire Safety enclosure, and there are no serviceable Siemens – Fire Safety parts to be maintained.

Specifications – (continued)

– Optional Accessories –

Leased-Line / City-Tie Module

The Model FC901 FACP has the capability of operating an optional leased-line, city-tie module (Model FCI2020-U1) that provides a local-energy output for municipal call-box connection. The leased-line, city-tie module is installed on the back of the main board of the Model FC901 FACP, and field wiring is connected to the main board.

50-Point Remote Annunciator

The fire-system displays (FSD901-U3 / R3) are remote LED / LCD units that show the existing status of the Model FC901 FACP.

The Model FSD901-U3 / R3 optional display supports the following LEDs for system-status conditions:

- Power
- Alarm
- Trouble
- Supervisory
- Ground-Fault

There are also LEDs to indicate when audible circuits are 'active' or 'silenced.' The main board supports four (4) system-control buttons, including: *Acknowledge*; *Alarm Silence*; *Unsilence*, and *Reset*.

For Model FSD901-U3 / R3, a LED will illuminate for any given *Alarm*, *Supervisory* and *Trouble* Cerberus PRO-system event. A 3.5-inch (8.9 centimeters) by 1.5" (3.8 centimeters) LCD screen will give details of the event in alphanumeric form. The display screen can be scrolled to reveal additional events. Optional remote-system-control capabilities are also available.

The Remote Peripheral Module (FCA2018-U1) provides a means of connecting a Cerberus PRO 50-point addressable panel to a parallel printer for creating a hard copy of system-status events.

This supervised, intelligent module contains built-in transient protection and plain-decimal addressing.

When Model PAL-1 is used with the remote peripheral module, Model FCA2018-U1 supervises the printer for **ON / OFF Line**, **Power ON**, **Paper Out**, **Paper Jam**, and wiring-fault conditions, as required by ©UL for NFPA 72 proprietary systems.

The dimensions – based upon connection to a one-height-unit enclosure (1HU) for Model FC901– are as follows:

Approximate size: 16.5" (41.9 cm.) [H];
18.13" (46.1 cm.) [W];
5.11" (13 cm.) [D]

The weight (without operating unit or batteries) is approximately 9 pounds [4082 g].

LED Annunciator Driver: 32 Outputs | 16 Inputs

Model FT2007-U1 serves as the main component for allowing custom graphic annunciators to operate on Model FC901 FACPs. There are 16 inputs on each Model FT2007-U1 to accommodate user-defined system commands, which include: *Reset*; *Silence/Unsilence*; *Acknowledge*, and *Lamp Test*. Inputs can also be programmed as "Generic", which allows additional flexibility for customized functionality.

Shipments of each Model FT2007-U1 driver include two (2) PC boards [PCBs]; one (1) built-in RS-485 interface, and one (1) LED driver. Additionally, one (1) ribbon cable is packaged, allowing connectivity between the two (2) PCBs.

Tabular Annunciator Drivers:

16 Zones | 32 Zones

The Tabular Annunciators allow system events sent from Cerberus PRO 50-point addressable panels to be displayed remotely in real-time. The Model FT2008 series of tabular annunciators has 16 zones and the Model FT2009 series uses up to 32 zones. Additionally, no more than two (2) light-emitting diodes (LEDs) can be used per zone.

A built-in RS-485 communication bus controls the operation and supervision of the 16-zone and 32-zone Tabular Annunciators, which are available in **black** or **red**.

Temperature and Humidity Range

Model FC901 is ©UL 864 9th Edition Listed for indoor dry locations within a temperature range of 120+/-3°F (49+/-2°C) to 32+/-3°F (0+/-2°C) and a relative humidity of 93+/-2% at a temperature of 90+/-3°F (32+/-2°C).

Related Documentation

Product	Data Sheet Number
170-Watt power supply	9806
Leased-Line / City-Tie Module	9810
Remote Peripheral Module	9811
50-Point Remote Annunciator	9817
LED Annunciator Driver, FT2007-U1	9824
16-Zone (FT2008-U1) / 32-Zone (FT2009-U1) Tabular Annunciators	9825

Central Station Receiver Compatibility Table

The following table shows a list of central station receivers that are compatible with the Cerberus PRO 50-point addressable system, Model FC901 –

Protocol	MX-8000	Sur-Gard System III	Sur-Gard System IV	Telguard TG7GFS04	Silent Knight 9800	Bosch D6600	Bosch D6100
SIA 8	✓	✓	✓	✓	✓	✓	✓
SIA 20	✓	✓	✓	✓	✓	✓	✓
Ademco Contact ID	✓	✓	✓	✓	✓	✓	
4/2	✓	✓	✓				
3/1	✓	✓	✓				

Note: Multiple central station receivers are compatible with the Cerberus PRO 50-point FACP, Model FC901.

Although the table above illustrates central station receivers that have been verified by Siemens with the Model FC901 FACP, additional receivers and formats can also be used with each 50-point addressable system.

After completing the installation, communication between the Digital Alarm Communication Transmitter (Model DACT) and Central Station Receiver must be tested and verified.

Details for Ordering

Model	Part Number	Description
FCM901-U3	S54433-B101-A1	Cerberus PRO Main Board {for the 50-point FACP}
FH901-U3	S54433-B103-A3	System Enclosure, Black {for the 50-point FACP}
FH901-R3	S54433-B103-A4	System Enclosure, Red {for the 50-point FACP}
FP2011-U1	500-450222	170-Watt Power Supply

Optional Accessories

Model	Part Number	Description
FCA2018-U1	S54400-A65-A1	Remote Peripheral Module
FCI2020-U1	S54400-A57-A1	Leased-Line / City-Tie Module
FHA901-U1	S54433-B107-A1	Battery Bracket
FHA902-U1	S54433-B106-A1	Flush-Mount Trim Kit, Black
FHA902-R1	S54433-B106-A2	Flush-Mount Trim Kit, Red
FSD901-U3	S54433-C102-A1	System Display, Black {specifically for the 50-point FACP}
FSD901-R3	S54433-C102-A2	System Display, Red {specifically for the 50-point FACP}
FT2007-U1	S54400-A142-A1	LED Annunciator Driver {32 Outputs 16 Inputs }
FT2008-U1	S54400-A143-A1	16-Zone Tabular Annunciator, Black
FT2008-R1	S54400-A144-A1	16-Zone Tabular Annunciator, Red
FT2009-U1	S54400-A145-A1	32-Zone Tabular Annunciator, Black
FT2009-R1	S54400-A146-A1	32-Zone Tabular Annunciator, Red

Electronics Package

Model	Part Number	Description
FC901-U3	S54433-C105-A1	Cerberus PRO Kit for the 50-Point Addressable FACP
		Includes: <ul style="list-style-type: none"> 170W power supply, Model FP2011-U1 (Qty. 1) System main board, Model FCM901-U3 (Qty. 1)

SIEMENS Cerberus® PRO

Siemens Industry, Inc. – Building Technologies Div.
 8 Fernwood Road • Florham Park, NJ 07932
 Tel: (973) 593-2600 • Fax: (908) 547-6877
 Web: www.USA.Siemens.com/Cerberus-PRO

NOTICE – The information contained in this data-sheet document is intended only as a summary, and is subject to change without notice. The devices described here have specific instruction sheets that cover various technical, limitation and liability information.

Copies of these instruction sheets and the *General Product Warning and Limitations* document, which also contains important information, are provided with the product and are available from the Manufacturer.

Information contained in these documents should be consulted before specifying or using the product. For further information or assistance concerning particular problems contact the Manufacturer.