

WhisperGreen Select

Specification Submittal Data / Panasonic Ventilation Fan

Description
Customizable Ventilation Fan shall be low speed ceiling mount rated for continuous run. Fan shall be ENERGY STAR® rated and certified by the Home Ventilating Institute (HVI). Evaluated by Underwriters Laboratories and conform to both UL and cUL safety standards.

- Motor/Blower**
- Enclosed DC brushless motor technology rated for continuous run.
 - Fan ventilation rates shall be manually adjustable for 50-110 CFM.
 - Power rating shall be 120 volts and 60 Hz.
 - Fan shall be UL listed for tub/shower enclosure when used with a GFCI protected circuit and used in insulated ceiling (TYPE I.C.).
 - Fan equipped with a thermal cutoff fuse.
 - Removable, permanently lubricated, plug-in motor.

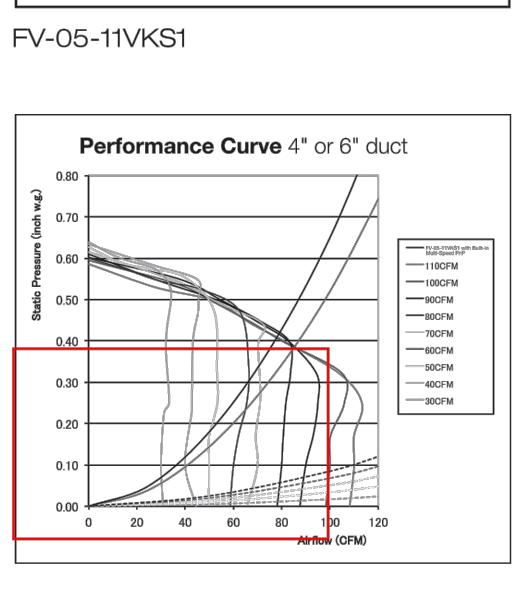
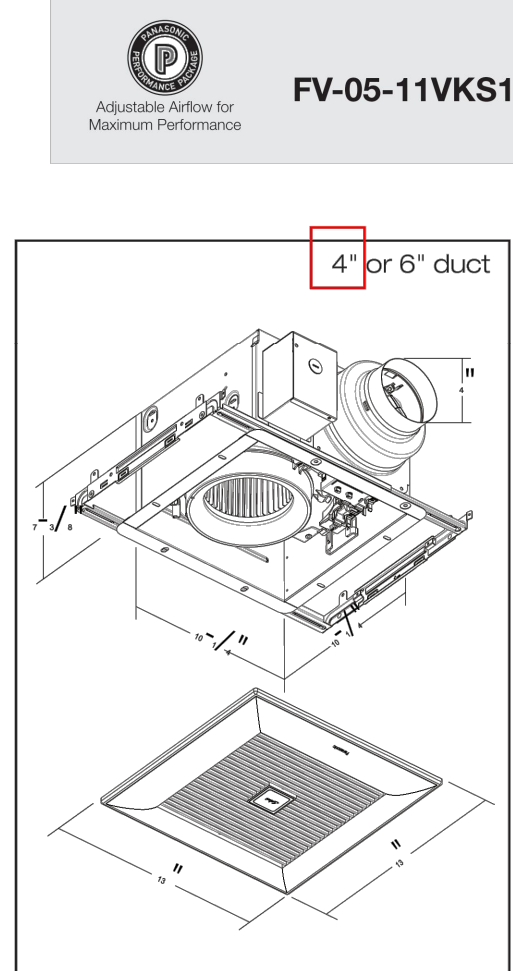
- Housing**
- Rust proof epoxy and polyester resin coating, 26 gauge galvanized steel body.
 - Integrated duct 4" or 6" diameter duct adapter.
 - Built-in metal flange provides blocking for penetrations through drywall as an Air Barrier, and assists with the decrease in leakage in the Building Envelope during blower door testing.
 - Built-in backdraft damper.
 - Articulating and expandable installation bracket up to 24".

- Grilles**
- Attractive design using Poly Pro material.
 - Attaches directly to housing with tension springs.
 - Includes a motion sensor cap for use as a cover when the motion sensor Plug 'N Play™ module has not been selected.

- Warranty:**
- ALL Parts: 3 Years from original purchase date.
 - DC Motor: 5 Years from original purchase date.

Architectural Specifications:
Customizable Ventilation Fan shall be ceiling mount, ENERGY STAR® rated type with multi-speed control (0, 30-100 CFM, in 10 CFM increments) that shall be built-in with a high/low adjustable delay timer and activated by a wall switch, Motion Sensor Plug 'N Play™ module or Condensation Sensor Plug 'N Play™ module. Features a built-in speed selector. Select from 50 to 110 CFM and no more than 0.33 amps as certified by the Home Ventilating Institute (HVI) at 0.1 w.g. with no less than 53/82/113 CFM and no more than $0.30/0.4/0.8$ amps at 25 w.g. Power Consumption shall be no greater than 3.2/5.5/9.9 watts at 0.1 w.g. and 6.5/10.2/18.1 watts at 0.25 w.g. ENERGY STAR® rated with efficiency of no less than 16.1/18.3/11.5 CFM/Watt at 0.1 w.g. and then 8.1/8.4/7.2 CFM/Watt at 0.25 w.g. The motor shall be enclosed with brushless DC motor engineered to run continuously. DC motor speed shall automatically increase when the fan senses static pressure to maintain selected CFM. Power rating shall be 120V/60Hz. Duct diameter shall be no less than 4", inclusive of an integrated 4" or 6" duct adapter. Plug 'N Play™ module provides up to two additional features. Select from Condensation Sensor, LED Night Light and Motion Sensor. Fan shall be UL and cUL listed for tub/shower enclosure when used with a GFCI protected circuit. Fan can be used to comply with ASHRAE 62.2, LEED, ENERGY STAR®, IAP, EarthCraft, California Title-24 and WA Ventilation Code.

- DC Motor Technology:**
When fan senses static pressure, its speed is automatically increased to ensure that the desired CFM is not compromised, which allows the fan to perform as rated.



For complete installation instructions visit us.panasonic.com/ventfans

| Model | Quantity | Comments | Project: |
|-------|----------|----------|---------------|
| | | | Location: |
| | | | Architect: |
| | | | Engineer: |
| | | | Contractor: |
| | | | Submitted by: |
| | | | Date: |

1 RESTROOM FAN

M6.02 SCALE: DETAIL

WhisperGreen Select

Plug 'N Play™ Modules

Plug 'N Play™ modules provide up to two additional features (multi-speed is already built-in to FV-05-11VKS1). Select from Motion Sensor, Condensation Sensor and LED Night Light.

FV-VS15VK1: Multi-Speed with Time Delay - N/A for this Fan, already built-in.
Allows you to select the proper CFM settings to satisfy ASHRAE 62.2 continuous ventilation requirements. The fan runs continuously at a pre-set lower level (0, 30-100 CFM, in 10 CFM increments), then elevates to a maximum level of operation (50, 110 CFM) when the wall switch is turned on, or when the motion sensor or Condensation Sensor module is activated. A High/Low delay timer returns the fan to the pre-set CFM level after a period of time set by the user.

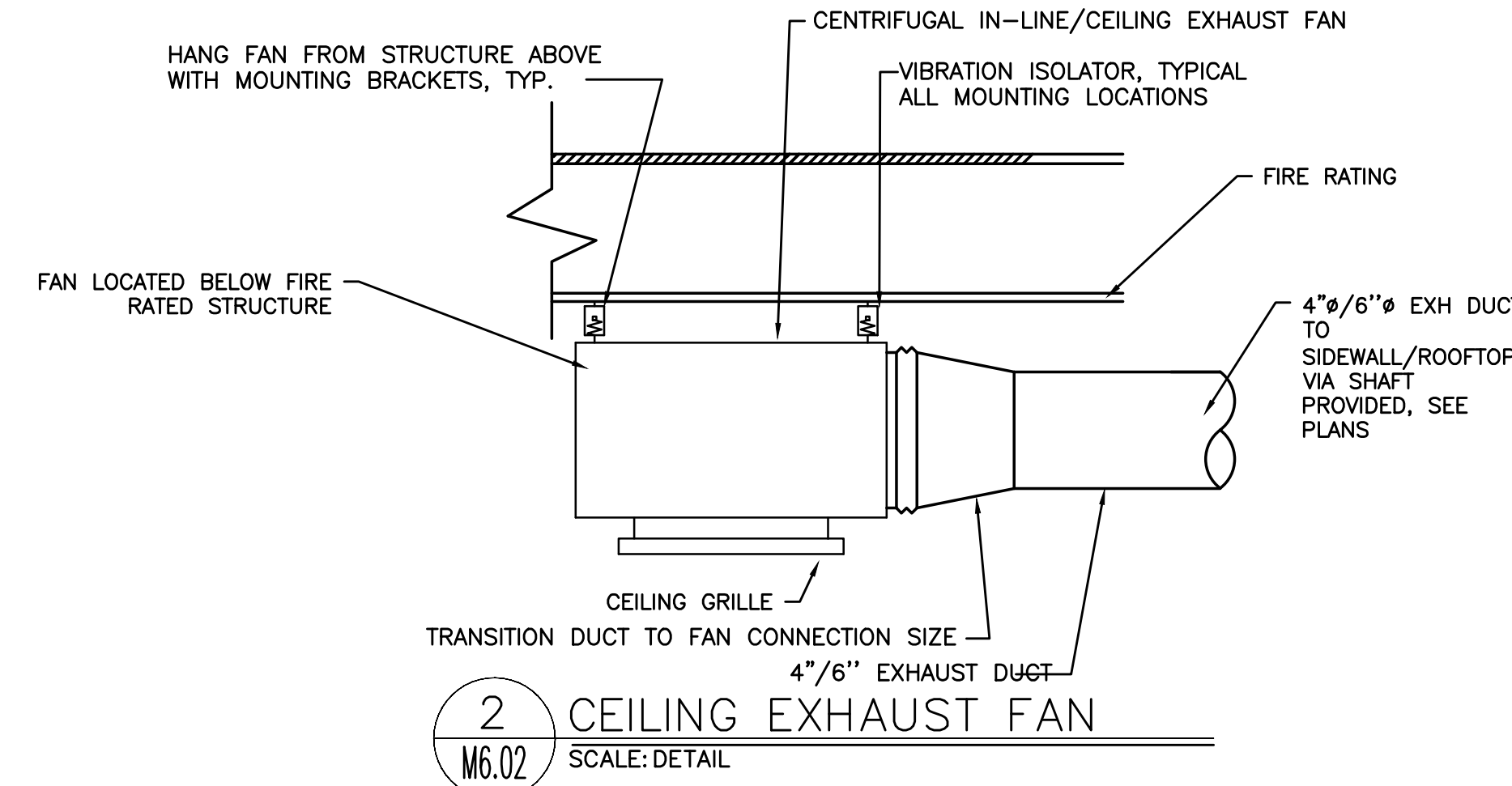
FV-MSVK1: Motion Sensor
Automatically activates when someone enters the room. Once the settings have been applied, the fan becomes truly automatic. This module also activates a 20 minute delay off timer for the fan.

FV-CSVK1: Condensation Sensor
Helps control bathroom condensation to prevent mold and mildew. Sensor technology detects relative humidity and temperature to anticipate dew point, automatically turning the fan on to control humidity. Built-in Relative Humidity (RH) sensitivity adjustment enables fine tuning for moist conditions and for satisfying CalGreen requirements. When the condensation sensor is used in conjunction with multi-speed functionality, the fan will kick-up to high speed when the condensation sensor detects moisture in the room. This module also activates a 20 minute delay off timer for the fan.

FV-NLVK1: LED Night Light
A photocell automatically turns on the 1 watt LED night light when darkness is sensed in the room. High/Low brightness switch enables you to fine tune the photocell to work in conjunction with the darkness level of your bathroom. This module also activates an automatic 20 minute delay off timer for the fan.

| Fan Specifications | WhisperGreen Select's FV-05-11VKS1 | | | | | | | | | | | | | | | | | |
|--------------------------------|------------------------------------|------|------|------|------|------|------|------|------|------|------|------|------|------|------|------|------|------|
| Static Pressure in Inches w.g. | 0.1 | 0.25 | 0.1 | 0.25 | 0.1 | 0.25 | 0.1 | 0.25 | 0.1 | 0.25 | 0.1 | 0.25 | 0.1 | 0.25 | | | | |
| Air Volume (CFM) | 110 | 113 | 100 | 106 | 90 | 95 | 80 | 82 | 70 | 71 | 60 | 66 | 50 | 42 | 43 | 30 | 31 | |
| Power Consumption (watts) | 0.53 | 1.8 | 0.57 | 0.7 | 0.53 | 1.8 | 0.57 | 0.6 | 0.53 | 1.8 | 0.57 | 0.6 | 0.53 | 1.8 | 0.57 | 0.6 | 0.53 | |
| Energy Efficiency (CFM/Watt) | 115 | 72 | 116 | 73 | 145 | 83 | 183 | 84 | 172 | 87 | 115 | 88 | 163 | 81 | 163 | 57 | 142 | 74 |
| Speed (RPM) | 800 | 1200 | 800 | 1170 | 800 | 1140 | 800 | 1100 | 770 | 1120 | 790 | 1100 | 740 | 1020 | 790 | 1000 | 710 | 1060 |
| Current (amps) | 0.10 | 0.18 | 0.09 | 0.14 | 0.07 | 0.12 | 0.06 | 0.10 | 0.05 | 0.09 | 0.04 | 0.08 | 0.04 | 0.07 | 0.06 | 0.03 | 0.03 | 0.06 |
| MAX. Current (amps) | 0.27 | | | | | | | | | | | | | | | | | |
| Power Rating (V/Hz) | 120/60 | | | | | | | | | | | | | | | | | |
| ENERGY STAR rated | Yes | | | | | | | | | | | | | | | | | |

Panasonic Eco Solutions Company of North America
Eco Products Division
Two Riverfront Plaza
Newark, NJ 07102
us.panasonic.com/ventfans



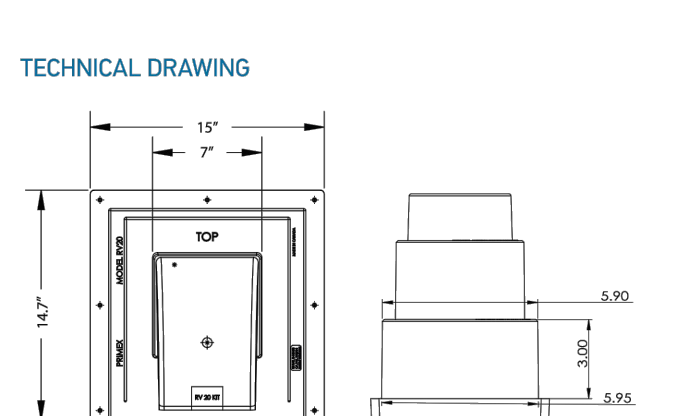
2 CEILING EXHAUST FAN

M6.02 SCALE: DETAIL

RV20 Low-Profile Roof Vent

Technical Data Sheet

- FEATURES & BENEFITS**
- Patented design eliminates leaky joints and maximizes water protection with one-piece molded hood and over-sized flange.
 - Aesthetically-pleasing, low-profile styling.
 - Molded-in screen to prevent bird and rodent infiltration.
 - Long lasting durability with UV-protected, impact-resistant polymer resin.
 - Compatible with 4, 5 or 6-inch ducting with included RV456 easy snap-in adapter.
 - Simple intake/exhaust conversion via removable damper.
 - Quick and easy installation with installer-friendly packaging (vent/adaptor bagged together).
 - For dryer applications use 'no screen' (NS) model.



PRODUCT DIMENSIONS
HOOD SIZE: H: 6.5\"/>

- COLOURS**
- Black (25)
 - Light Grey (31)
 - Dark Grey (28)
 - Tan (45)
 - Dark Brown (68)

- APPLICATIONS**
- Dryer Venting
 - Bathroom Venting
 - Range Venting
 - Heat Recovery Venting (HRV)
 - Intake

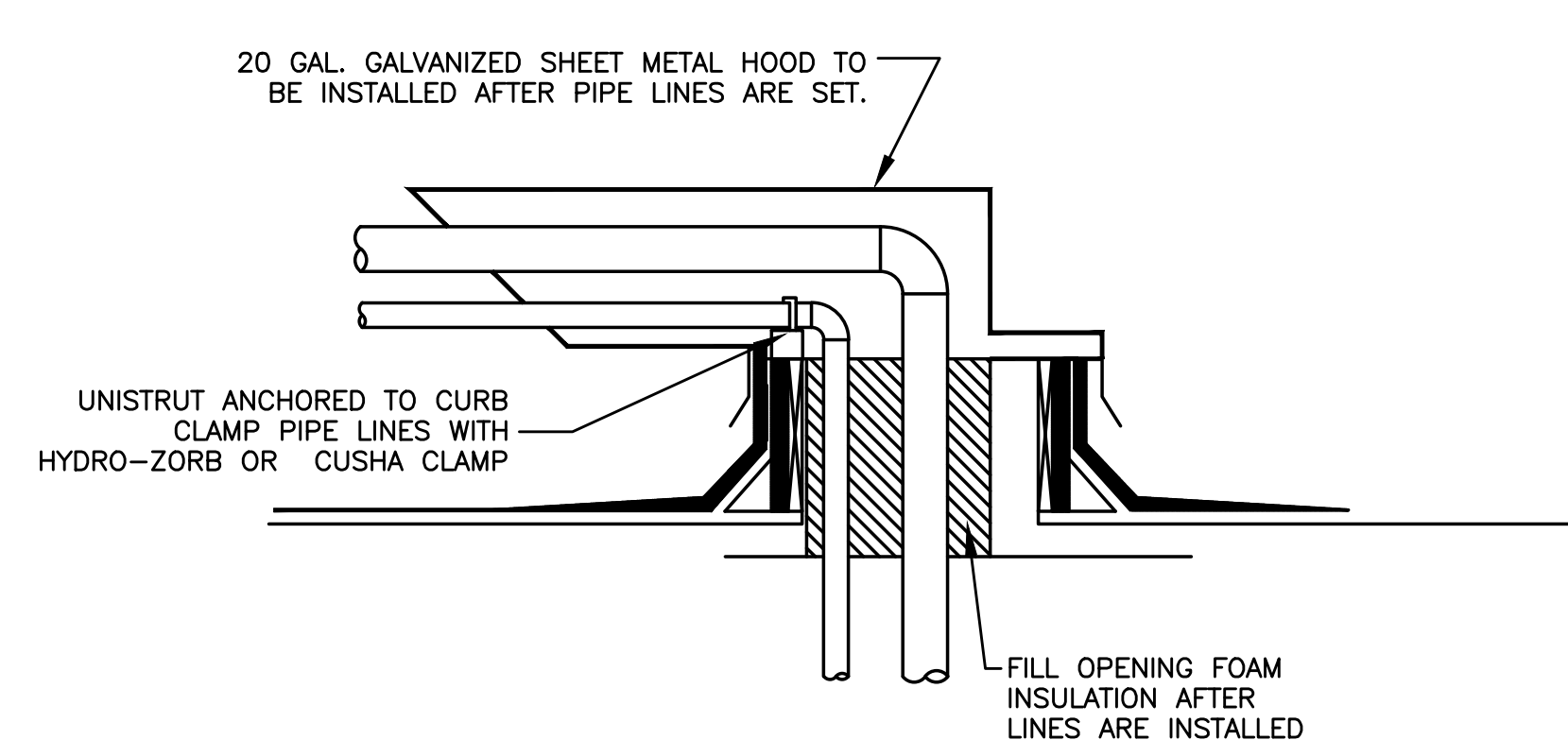
PART NUMBER/SIZING

| Part # | Size | Free Area | Description | Pkg |
|------------|---------------|--------------|------------------------------------|--------|
| RV20KIT | 4\", 5\", 6\" | 20.9 sq. in. | With screen, damper, RV456 adapter | 10/box |
| RV20KITNS* | 4\", 5\", 6\" | 21.4 sq. in. | W/o screen, damper, RV456 adapter | 10/box |

CONTACT US FOR MORE INFORMATION:
1.604.881.7875 | info@primexvents.com
1116

4 LOW PROFILE ROOF VENT

M6.02 DETAIL



5 REFRIGERANT ROOF PENETRATIONS

M6.02 DETAIL

PRIMEX HVAC VENTING Product Specification Sheet

WC Series Intake and Exhaust Wall Cap Vents

1. PRODUCT SUMMARY
The Primex Wall Cap Series (WC) is ideal for exhaust and intake applications. This includes the through-wall exhaust of dryers, bathroom kitchen fans and stove vents, and the intake for furnaces and fresh air make-up. This rainscreen-compatible series comes in sizes ranging from 3-8 inches and in multiple colours.



2. FEATURES & BENEFITS

- Compatible with rainscreen applications via extended base, compensating for cavity between sheathing and cladding.
- Patented design eliminates leaky joints while maximizing water protection with one-piece molded base and built-in drip edge.
- Integrity of the building envelope is maintained via a removable hood for simple cleaning or replacement.
- Suitable for intake and exhaust applications.
- Over-sized flange ensures watertight installation.
- Made with UV-protected durable polymer resin.
- Highly resistant to mechanical impact including a built-in bird screen.
- Quick and easy installation.
- * For dryer applications we recommend the no screen 'NS' model.



- 3. COLOURS**
- Snow White (01)
 - Light Grey (31)
 - Taupe (23)
 - Tan (45)
 - Black (25)
 - Dark Brown (68)
 - Dark Grey (28)

FOR MORE INFORMATION CONTACT:
20160 52A Avenue Langley BC V1M 3A4 Canada
1.877.861.7875 | info@primexvents.com | primexvents.com



3 SIDEWALL EXHAUST TERMINATION

M6.02 NOT TO SCALE

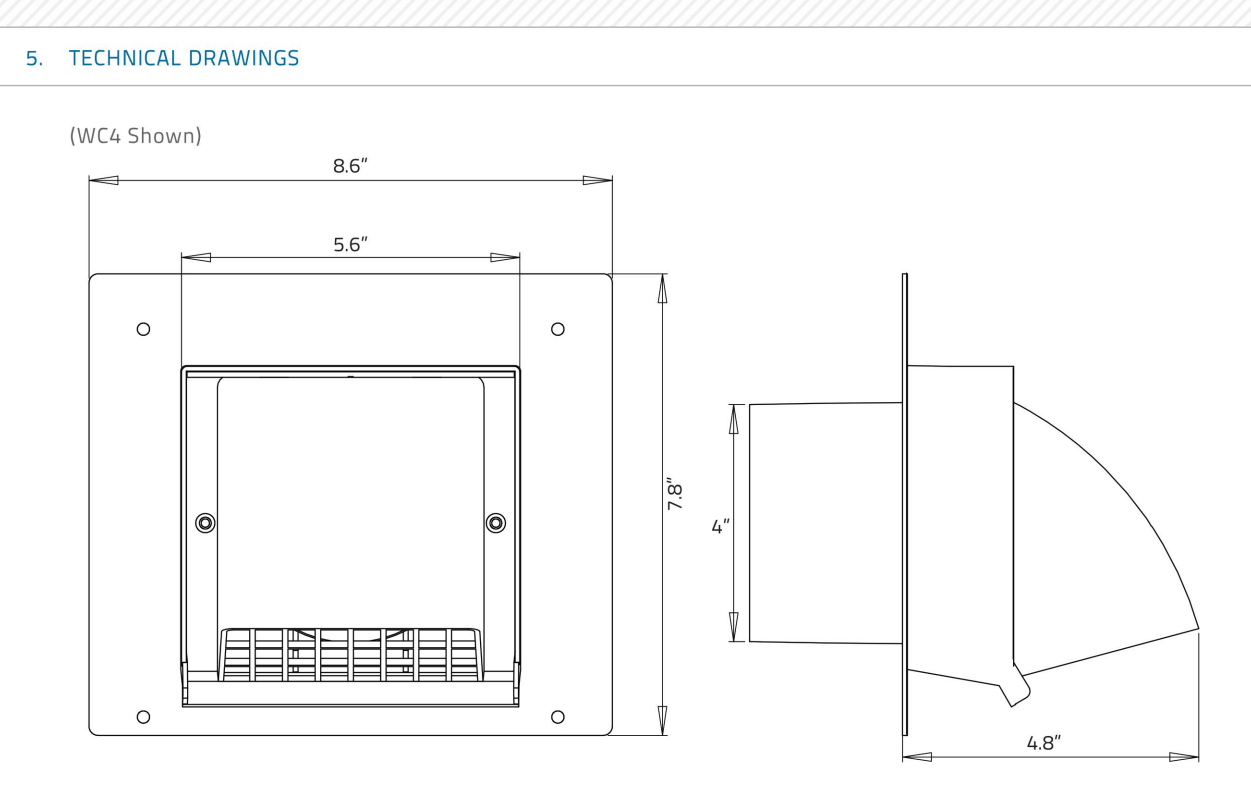
PRIMEX HVAC VENTING Product Specification Sheet

WC Series Intake and Exhaust Vents

4. SIZING/PART NUMBER

| INTAKE AND EXHAUST WALL CAP VENTS | | | | | |
|-----------------------------------|-----------------|-------------|--------------|------------------------------|--------|
| W/O BIRD SCREEN | W/O BIRD SCREEN | COLLAR SIZE | FREE AREA | DESCRIPTION | PKG |
| WC3 | WC3NS | 3" | 7.7 sq. in. | For use with 3" dia. ducting | 25/box |
| WC4 | WC4NS | 4" | 9.5 sq. in. | For use with 4" dia. ducting | 25/box |
| WC5 | WC5NS | 5" | 19.6 sq. in. | For use with 5" dia. ducting | 10/box |
| WC6 | WC6NS | 6" | 28.3 sq. in. | For use with 6" dia. ducting | 10/box |
| WC7 | WC7NS | 7" | 38.5 sq. in. | For use with 7" dia. ducting | 2/box |
| WC8 | WC8NS | 8" | 46.8 sq. in. | For use with 8" dia. ducting | 2/box |

| RANGE HOOD VENTS | | | | |
|------------------|-------------|--------------|--|--------|
| PART # | DUCT BOOT | FREE AREA | DESCRIPTION | PKG |
| WC310 | 3" x 10" | 30.2 sq. in. | Wall Cap Vent: use with 3" x 10" register boot or slab duct | 18/pkg |
| WC310K | 3.25" x 10" | 30.2 sq. in. | Range Hood Vent: use with 3.25" x 10" kitchen transition boot or slab duct | 18/pkg |



FOR MORE INFORMATION CONTACT:
20160 52A Avenue Langley BC V1M 3A4 Canada
1.877.861.7875 | info@primexvents.com | primexvents.com



MEFA Consulting Engineers
2007 S.F. Ash St.
Portland, OR 97214
PHN: (503) 234-0548
FAX: (503) 234-0677
INC. WWW.MFEA-ENG.COM
CONTACT: Mark Denyer

MERIDIAN GARDENS
11250 SE DIVISION STREET
PORTLAND, OREGON 97266
CENTRAL CITY CONCERN

| REVISION | DATE | REASON FOR ISSUE |
|----------|------|------------------|
| | | |
| | | |
| | | |

MECHANICAL DETAILS

PERMIT SET

DATE: 08/29/2022 PROJECT NUMBER: 203970

SHEET NUMBER: M6.02

