

**FOWLER MIDDLE SCHOOL  
10865 SW WALNUT  
Tigard, Oregon  
April 7, 2017**

**PLUMBING FIXTURES**



BARRIER FREE

## MADERA™ FloWise® 16-1/2" HEIGHT ELONGATED FLUSHOMETER TOILET

VITREOUS CHINA LESS EVERCLEAN®

### MADERA™ FloWise® 16-1/2" HEIGHT ELONGATED LESS EVERCLEAN®

- Floor mount flushometer valve toilet
- Vitreous china
- High Efficiency, Low Consumption. Operates in the range of 1.1 gpf to 1.6 gpf (4.2 Lpf to 6.0 Lpf)
- Meets definition of HET (High Efficiency Toilet) when used with a high efficiency flush valve (1.28 gpf or 1.6 / 1.1 gpf dual flush)
- Fully glazed 2-1/8" trapway
- Elongated bowl
- 10" or 12" roughing-in
- 16-1/2" rim height for accessible application
- Condensation channel
- Powerful direct-fed siphon jet action
- 10" x 12" water surface area
- 1-1/2" inlet spud
- 2 bolt caps
- 100% factory flush tested

- 3043.001** Elongated bowl only, top spud
- 3248.001** Elongated bowl only, top spud with slotted rim for bedpan holding (White only)
- 3249.001** Elongated bowl only, back spud

#### System MaP\* Score:

- 1,000 grams of miso @ 1.1 gpf, 1.28 gpf or 1.6 gpf when used with an American Standard flush valve

\* Maximum Performance (MaP) testing performed by IAPMO R&T Lab. MaP Report conducted by Veritec Consulting, Inc. and Koeller and Company.

#### Component Parts:

- 047007-0070A** Inlet Spud (furnished with bowl)
- 481310-100** Bolt caps with retainers (furnished with bowl)

#### Nominal Dimensions:

718 x 356 x 419mm  
(28-1/4" x 14" x 16-1/2")

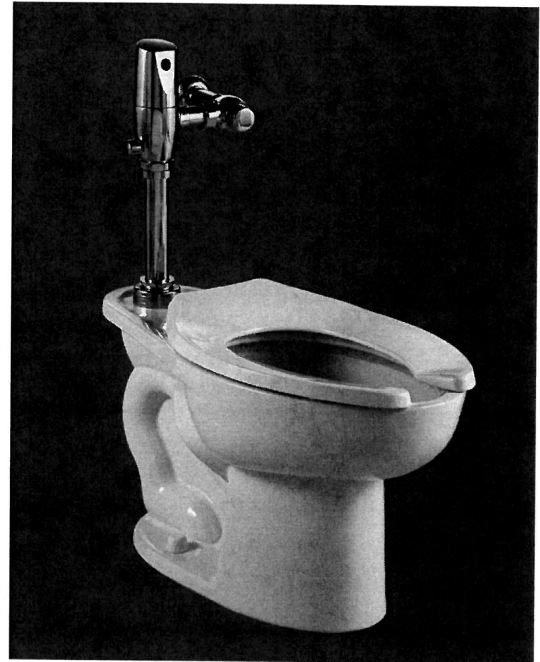
Fixture only, less seat and flush valve

Recommended working pressure—between 25 psi at valve when flushing and 80 psi static

#### Compliance Certifications -

##### Meets or Exceeds the Following Specifications:

- ASME A112.19.2-2008 / CSA B45.1-08 for Vitreous China Fixtures



SEE REVERSE FOR ROUGHING-IN DIMENSIONS

#### To Be Specified:

- Color:  White  Bone
- Seat:
  - American Standard #5901.100 Heavy duty open front less cover
  - American Standard #5905.100 Extra heavy duty open front less cover
- Flushometer Valve:
  - 1.6 gpf:
    - Sensor-Operated: American Standard Selectronic® DC Power #6065.161.002 (Top Spud)
    - Sensor-Operated: American Standard Selectronic® AC Power #6067.261.002 (Back Spud)
    - Manual: American Standard #6047.161.002 (Top Spud)
  - 1.28 gpf:
    - Sensor-Operated: American Standard Selectronic® DC Power #6065.121.002 (Top Spud)
    - Sensor-Operated: American Standard Selectronic® AC Power #6067.221.002 (Back Spud)
    - Manual: American Standard #6047.121.002 (Top Spud)
  - 1.6 / 1.1 gpf Dual Flush:
    - Sensor-Operated: American Standard Selectronic® DC Power #6065.761.002 (Top Spud)



MEETS THE AMERICANS WITH DISABILITIES ACT GUIDELINES AND ANSI A117.1 REQUIREMENTS FOR ACCESSIBLE AND USABLE BUILDING FACILITIES - CHECK LOCAL CODES.



► **Code Number**

3010000

► **Description**

Exposed Water Closet Flushometer, for floor mounted or wall hung top spud bowls.

► **Flush Cycle**

1.6 gpf/6.0 Lpf

► **Specifications**

Quiet, Exposed, Diaphragm Type, Chrome Plated Closet Flushometer for left or right hand supply with the following features:

- PERMEX® Synthetic Rubber Diaphragm with Dual Filtered Fixed Bypass
- 1" I.P.S. Screwdriver Bak-Chek® Stop with free spinning vandal resistant stop cap
- High Back Pressure Vacuum Breaker Flush Connection with One-piece Bottom Hex Coupling Nut
- Spud Coupling and Flange for 1½" Top Spud
- Sweat Solder Adapter with Cover Tube & Cast Wall Flange with Set Screw
- Non-Hold-Open Handle, Fixed Metering Bypass and No External Volume Adjustment to Ensure Water Conservation
- Flush Accuracy Controlled by CID Technology
- Diaphragm, Handle Packing and Vacuum Breaker to be molded from PERMEX® Rubber Compound for Chloramine Resistance

Valve Body, Cover and Tailpiece shall be in conformance with ASTM Alloy Classification for Semi-Red Brass. Valve shall be in compliance to the applicable sections of ASSE 1037.

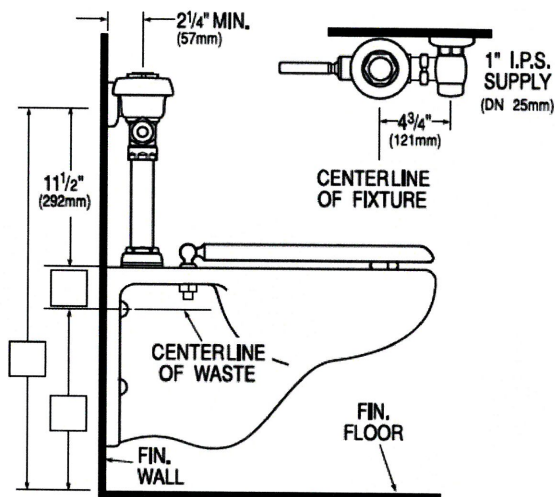
- Adjustable Tailpiece
- High Copper, Low Zinc Brass Castings for Dezincification Resistance
- ADA Compliant Metal Oscillating Non-Hold-Open Handle

► **Accessories (Sold Separately)**

See Accessories Section of the Sloan catalog for details on these and other Flushometer variations.

► **Fixtures**

Consult factory for matching Sloan brand fixture options.



► **Compliance & Certifications**



Made In The  
**USA**



This space for Architect/Engineer Approval



# REGALYN™ WALL-MOUNT LAVATORY

ENAMELED CAST IRON

## REGALYN™ WALL-MOUNT SINK

- Enameled Cast Iron
- Glossy porcelain finish
- Wall-hung installation
- Front overflow
- One soap depression
- Supplied with wall hanger
- Choice of faucet holes on 4" or 8" centers

**4869.008** Faucet holes on 8" (203mm) centers

**4869.004** Faucet holes on 4" (102mm) centers (shown)

**4869.001** Faucet center hole only

### Nominal Dimensions:

20" x 18"  
(508 x 457mm)

### Bowl sizes:

394mm (15-1/2") wide  
251mm (9-7/8") front to back  
152mm (6") deep

### Compliance Certifications -

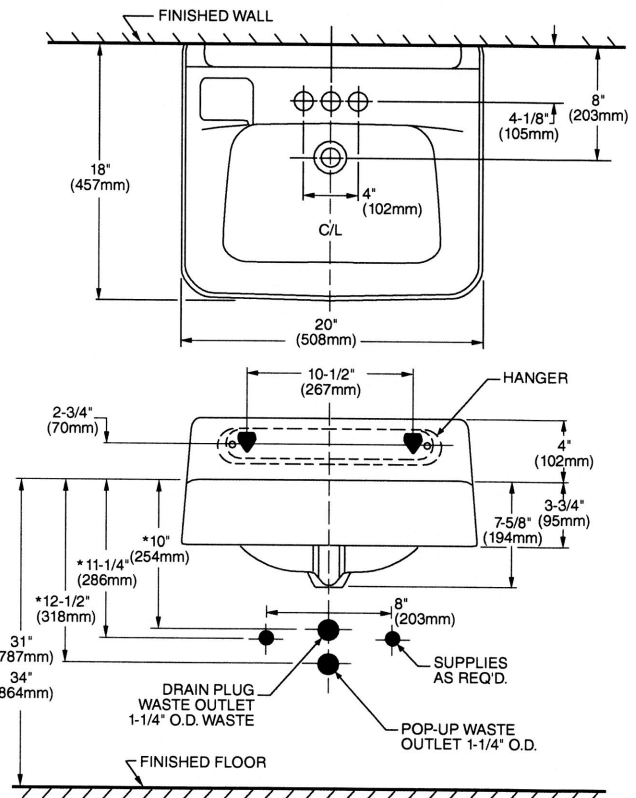
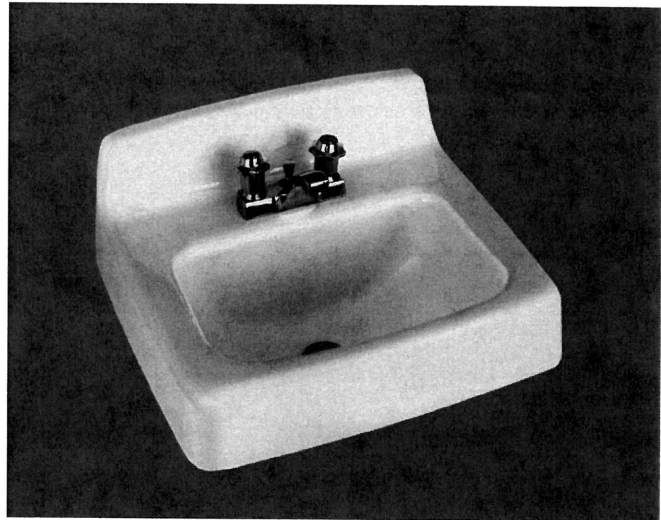
### Meets or Exceeds the Following Specifications:

- ASME A112.19.1 / CSA B45.2 for Cast Iron Plumbing Fixtures

### To Be Specified:

- Color:  White
- Faucet\*:
- Faucet Finish:
- Supplies with Stop:
- 1-1/4" Trap:

\* See faucet section for additional models available



### NOTES:

\* DIMENSIONS SHOWN FOR LOCATION OF SUPPLIES AND "P" TRAP ARE SUGGESTED. PROVIDE SUITABLE REINFORCEMENT FOR ALL WALL SUPPORTS. FITTINGS NOT INCLUDED AND MUST BE ORDERED SEPARATELY.

**IMPORTANT:** Dimensions of fixtures are nominal and may vary within the range of tolerances established by ASME Standard A112.19.1 / CSA B45.2. These measurements are subject to change or cancellation. No responsibility is assumed for use of superseded or voided pages.



*There is more than 1 version of this model.  
Page down to identify the version you have.*

# Specifications

## FAUCET DESCRIPTION

- Chrome plated solid brass construction
- Single hole mount designed to deliver either tempered or ambient water.
- Vandal resistant
- Optional 4" deck plate available, 99550

## OPERATION

- ADA compliant lever style handle
- Cycle time easily adjusted from 5 to 60 seconds, independent from water pressure
- Operates with water supply line pressures of 20 to 125psi
- Factory preset to automatically shut off after 10 seconds
- 1/2" IPS supply shank


## FLOW

- 0.5gpm max (1.9 L/min) vandal-resistant multi-stream laminar flow limits water discharge to a maximum of 0.25gpc (0.95 L/cycle) @ 30 seconds or 0.20gpc (0.76 L/cycle) @ 24 seconds

## CARTRIDGE

- 52100 brass shell cartridge
- Self contained metering mechanism which is separate from the potable water supply

## STANDARDS

- Third party certified to ASME A112.18.1/CSA B125.1, and all applicable specifications referenced therein
- Contains no more than 0.25% weighed average lead content
- ADA  compliant for lever handle
- CalGreen compliant

## WARRANTY

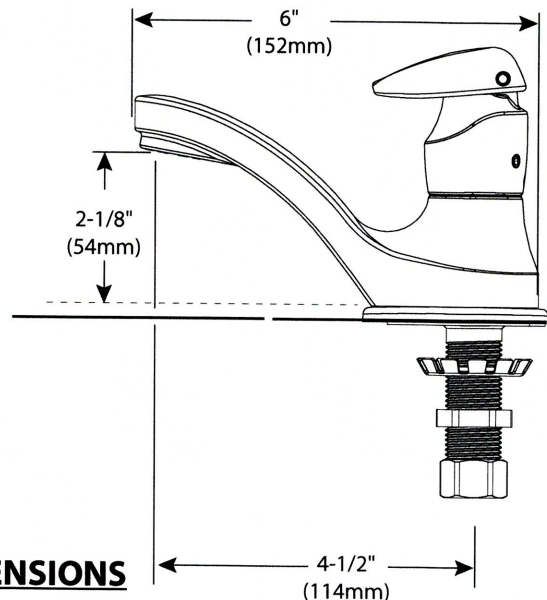
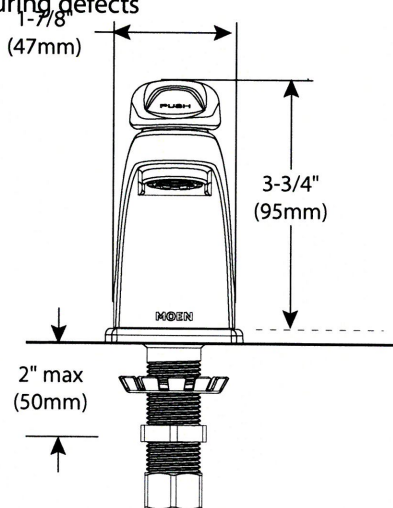
- Warranted for 5 years against material or manufacturing defects



**Single-Handle ADA Metering Lavatory Faucet**

**Model:** 8884 (Chrome)

**NOTE:** DESIGNED TO BE INSTALLED THROUGH 1 HOLE 7/8" MIN. DIA.



## CRITICAL DIMENSIONS

(DO NOT SCALE)

S-1,1A,2,3



# PRODUCT DIMENSIONS

DOMESTIC SIZES

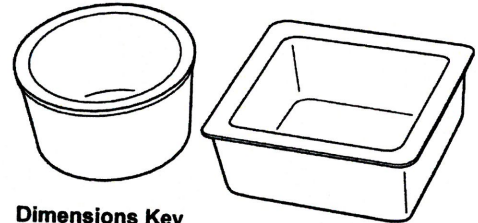
## Standard DropIn® Sinks

Sink No.	Outlet	Wgt (lb)	Dimensions (in)				
			Inside Bowl			Outlet Location	
			Length	Width	Depth	X	Y
D01C	Center	9	9.0	6.0	5.8	4.5	3.0
D03C	Center	16	12.0	8.0	5.8	6.0	4.0
A05	Corner	18	14.0	10.0	5.0	3.5	3.5
D05	Corner	22	14.0	10.0	6.2	3.5	3.5
D05C	Center	24	14.0	10.0	6.2	7.0	5.0
D10	End	20	16.0	8.0	6.8	4.5	4.0
D10C	Center	22	16.0	8.0	6.8	8.0	4.0
D15	Corner	30	16.0	12.0	8.0	3.5	3.5
D16C	Center	31	16.0	12.0	8.0	8.0	6.0
D19	Corner	42	16.0	16.0	9.6	3.5	3.5
D20	Corner	32	16.0	16.0	7.5	3.5	3.5
D22C	Center	30	18.0	6.5	6.8	9.0	3.3
D24C	Center	30	18.0	14.0	10.5	9.0	6.8
A25	Corner	35	18.0	15.0	5.0	3.5	3.5
D25	Corner	39	18.0	15.0	7.9	3.5	3.5
D30	Corner	53	18.0	15.0	11.0	3.5	3.5
D30C	Center	50	18.0	15.0	10.8	9.0	7.5
D33E	End	59	21.0	17.0	9.8	4.5	8.5
D45	Corner	64	21.5	15.5	11.0	3.5	3.5
D50C	Center	48	24.0	16.0	8.0	12.0	8.0
D52	Corner	77	24.0	18.0	11.0	3.5	3.5
A55	Corner	47	25.0	15.0	4.8	3.5	3.5
D55	Corner	61	25.0	15.0	10.0	3.5	3.5
D59	Corner	61	28.0	15.0	11.8	3.5	3.5
DRS12	Center	18	12.0	Round	7.8	Center	

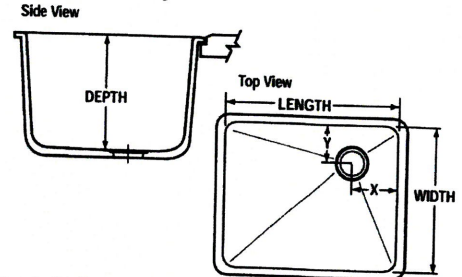
S-1,2,3  
S-1A

ADA compliant sinks are designated by this symbol.  
All Dimensions are nominal and may vary by manufacturing location.  
Cutsheets available upon request.

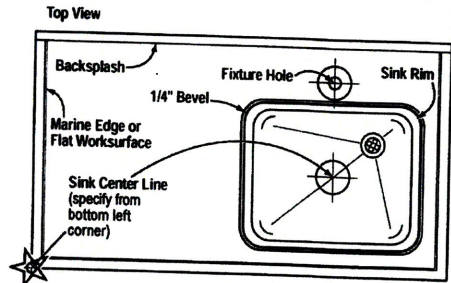
## DropIn® Sink Styles



### Dimensions Key



### Installation Detail

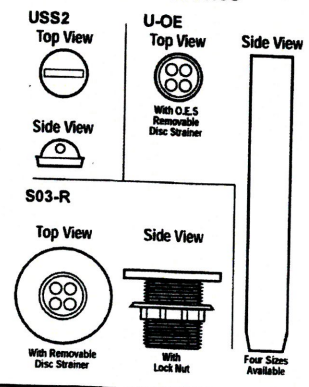


## Sink Outlets & Accessories

Part No.	Description	Color Availability							Dimensions (in)		
		Black Onyx	Gray	Graphite	Forest Green	Steel Blue	Tan	Alpine White	Inside Pipe/Outlet Diameter	Outside Rim Diameter	Length
Polypropylene											
SO3-R	Sink Outlet*	✓	✓	—	—	—	—	✓	1.4	3.3	3.0
USS2	Sink Stopper	✓	—	—	—	—	—	—	—	1.4	—
U-OE	Open End Overflow	✓	—	—	—	—	—	—	—	1.4	4, 6, 8, 10
O.E.S.	U-OE Strainer Cap	✓	—	—	—	—	—	—	—	1.4	—
Epoxy Resin											
SO3	Sink Outlet*	—	—	✓	✓	✓	✓	—	1.4	3.3	3.0

\*A plastic disc strainer is included with each sink outlet.

## Outlets & Accessories



# MECHANICAL FAUCETS

S-1,1A,2,3 FAUCET



## 930-GN8BVBE7-317XK

### Water Faucets

#### Product Type

Deck Mounted Single Hole Hot and Cold Water Mixing Faucet with Vacuum Breaker

#### Features & Specifications

- Single Hole
- 8" Rigid / Swing Gooseneck Spout with Atmospheric Vacuum Breaker
- Full Flow Nozzle
- 4" Vandal Proof Wristblade Handle
- Ceramic 1/4 Turn Operating Cartridge
- 3/8" Compression Flexible Stainless Steel Supply Hoses
- Atmospheric Vacuum Breaker, Not Intended for Continuous Pressure Applications
- Atmospheric Vacuum Breaker, Not Intended for Continuous Pressure Applications

#### Performance Specification

- Rated Operating Pressure: 20-125 PSI
- Rated Operating Temperature: 40-140°F

#### Warranty

- Lifetime Limited Faucet Warranty
- 5-Year Limited Cartridge Warranty
- 1-Year Limited Finish Warranty

#### Codes & Standards

- ASME A112.18.1/CSA B125.1
- Certified to NSF/ANSI 61, Section 9 by CSA
- ASSE 1001
- ADA ANSI/ICC A117.1

Job Name \_\_\_\_\_

Item Number \_\_\_\_\_

Section/Tag \_\_\_\_\_

Model Specified \_\_\_\_\_

Architect \_\_\_\_\_

Engineer \_\_\_\_\_

Contractor \_\_\_\_\_

Submitted as Shown

Submitted with Variations

Date \_\_\_\_\_



**PRODUCT SPECIFICATIONS**


Elkay Lustertone Stainless Steel 17" x 20" x 5-1/2", Single Bowl Top Mount Sink. Sink is manufactured from 18 gauge 304 Stainless Steel with a Lustertone finish, Rear Center drain placement, and Full spray sides and bottom.

<b>Installation Type:</b>	Top Mount
<b>Material:</b>	304 Stainless Steel
<b>Finish:</b>	Lustertone
<b>Gauge:</b>	18
<b>Sound Deadening:</b>	Full spray sides and bottom
<b>Number of Bowls:</b>	1
<b>Sink Dimensions:</b>	17" x 20" x 5-1/2"
<b>Bowl 1 Dimensions:</b>	14" x 14" x 5-3/8"
<b>Drain Size:</b>	3-1/2" (89mm)
<b>Drain Location:</b>	Rear Center
<b>Minimum Cabinet Size:</b>	21"
<b>Mounting Hardware:</b>	Part # 64090012 included for countertops up to 3/4" (19mm) thick
<b>Cutout Template #:</b>	1000001272

Template is available for download at [elkay.com](http://elkay.com)

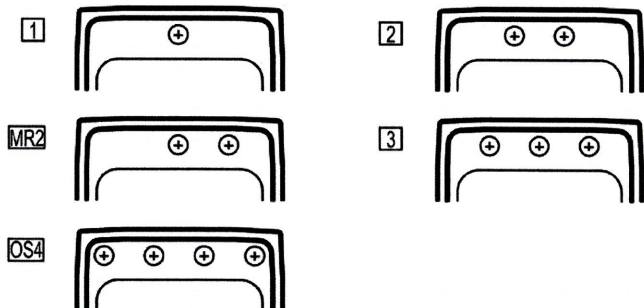
**Cutout Dimensions for Top Mount Installation:**

16-3/8" x 19-3/8" (416mm x 492mm) with 1-1/2" (38mm) corner radius

 This sink is compliant to ADA and ANSI/ICC A117.1 accessibility requirements when installed according to the requirements outlined in these standards.

**Hole Drilling Configurations:**

1-1/2" (38mm) Diameter Faucet Holes on 4" (102mm) Centers



PART: \_\_\_\_\_ QTY: \_\_\_\_\_  
 PROJECT: \_\_\_\_\_  
 CONTACT: \_\_\_\_\_  
 DATE: \_\_\_\_\_  
 NOTES: \_\_\_\_\_  
 APPROVAL: \_\_\_\_\_



AMERICAN PRIDE. A LIFETIME TRADITION. Like your family, the Elkay family has values and traditions that endure. For almost a century, Elkay has been a family-owned and operated company, providing thousands of jobs that support our families and communities.

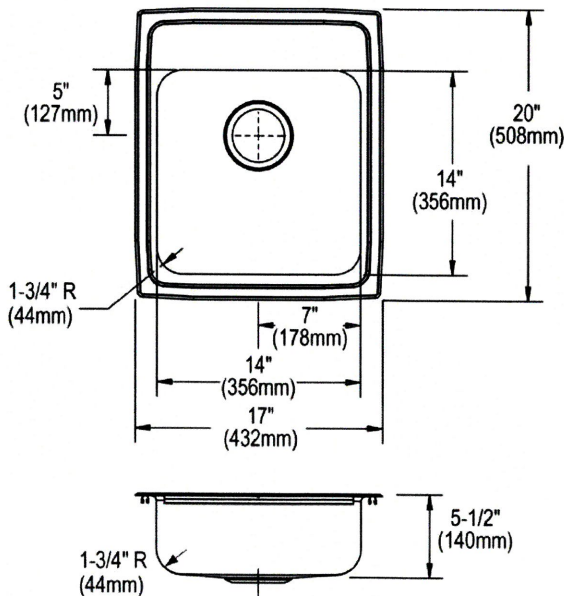


 Sinks are listed by IAPMO® as meeting the applicable requirements of the Uniform Plumbing Code®, International Plumbing Code®, and National Plumbing Code of Canada.

**Product Compliance:** ADA & ICC A117.1  
 ASME A112.19.3/CSA B45.4  
 BUY AMERICAN ACT

[Clean and Care Manual \(PDF\)](#)  
[Installation Instructions \(PDF\)](#)  
[Limited Lifetime Warranty \(PDF\)](#)

**Similar models are available with:** Quick-Clip Mounting System, additional ADA depths, included accessories (kit)



In keeping with our policy of continuing product improvement, Elkay reserves the right to change product specifications without notice. Please visit [elkay.com](http://elkay.com) for the most current version of Elkay product specification sheets. This specification describes an Elkay product with design, quality, and functional benefits to the user. When making a comparison of other producers' offerings, be certain these features are not overlooked.



**PRODUCT SPECIFICATIONS**

Elkay Lustertone Stainless Steel 25" x 22" x 5-1/2" Single Bowl Top Mount Sink. Overall dimensions are 25" x 22" x 5-1/2". Sink is manufactured from 18 gauge 304 Stainless Steel with a Lustrous Highlighted Satin finish, Rear Center drain placement, and Full spray sides and bottom.

<b>Installation Type:</b>	Top Mount
<b>Material:</b>	304 Stainless Steel
<b>Finish:</b>	Lustrous Highlighted Satin
<b>Gauge:</b>	18
<b>Sound Deadening:</b>	Full spray sides and bottom
<b>Number of Bowls:</b>	1
<b>Sink Dimensions:</b>	25" x 22" x 5-1/2"
<b>Bowl 1 Dimensions:</b>	21" x 15-3/4" x 5-1/8"
<b>Drain Size:</b>	3-1/2" (89mm)
<b>Drain Location:</b>	Rear Center
<b>Minimum Cabinet Size:</b>	30"
<b>Mounting Hardware:</b>	Part # 64090012 included for countertops up to 3/4" (19mm) thick
<b>Cutout Template #:</b>	<a href="#">1000001188</a>

Template is available for download at [elkay.com](#)

**Cutout Dimensions for Top Mount Installation:**

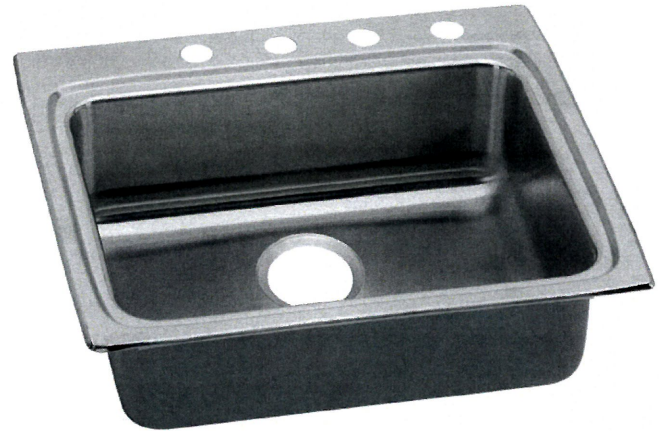
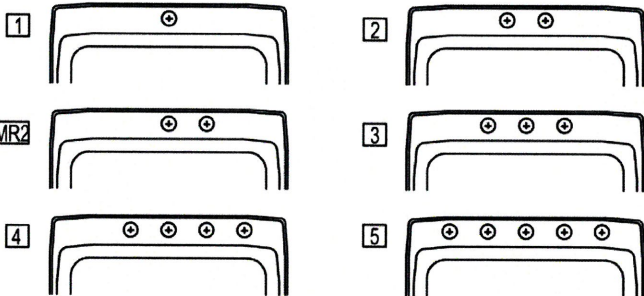
24-3/8" x 21-3/8" (619mm x 543mm) with 1-1/2" (38mm) corner radius



This sink is compliant to ADA and ANSI/ICC A117.1 accessibility requirements when installed according to the requirements outlined in these standards.

**Hole Drilling Configurations:**

1-1/2" (38mm) Diameter Faucet Holes on 4" (102mm) Centers



**AMERICAN PRIDE. A LIFETIME TRADITION.**

Like your family, the Elkay family has values and traditions that endure. For almost a century, Elkay has been a family-owned and operated company, providing thousands of jobs that support our families and communities.

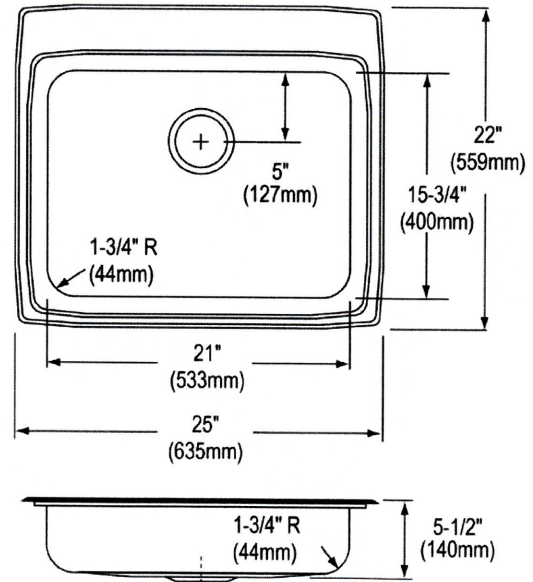


Sinks are listed by IAPMO® as meeting the applicable requirements of the Uniform Plumbing Code®, International Plumbing Code®, and National Plumbing Code of Canada.

**Product Compliance:** ADA & ICC A117.1  
ASME A112.19.3/CSA B45.4  
BUY AMERICAN ACT

- [Clean and Care Manual \(PDF\)](#)
- [Installation Instructions \(PDF\)](#)
- [Limited Lifetime Warranty \(PDF\)](#)

**Similar models are available with:** Quick-Clip Mounting System, additional ADA depths, CuVerro antimicrobial copper, included accessories (kit)



PART: \_\_\_\_\_ QTY: \_\_\_\_\_  
 PROJECT: \_\_\_\_\_  
 CONTACT: \_\_\_\_\_  
 DATE: \_\_\_\_\_  
 NOTES: \_\_\_\_\_  
 APPROVAL: \_\_\_\_\_

In keeping with our policy of continuing product improvement, Elkay reserves the right to change product specifications without notice. Please visit [elkay.com](#) for the most current version of Elkay product specification sheets. This specification describes an Elkay product with design, quality, and functional benefits to the user. When making a comparison of other producers' offerings, be certain these features are not overlooked.

**PRODUCT SPECIFICATIONS**

Elkay Lustertone Stainless Steel 22" x 22" x 5-1/2", Single Bowl Top Mount Sink. Sink is manufactured from 18 gauge 304 Stainless Steel with a Lustrous Highlighted Satin finish, Rear Center drain placement, and Full spray sides and bottom.

<b>Installation Type:</b>	Top Mount
<b>Material:</b>	304 Stainless Steel
<b>Finish:</b>	Lustrous Highlighted Satin
<b>Gauge:</b>	18
<b>Sound Deadening:</b>	Full spray sides and bottom
<b>Number of Bowls:</b>	1
<b>Sink Dimensions:</b>	22" x 22" x 5-1/2"
<b>Bowl 1 Dimensions:</b>	19" x 16" x 5-3/8"
<b>Drain Size:</b>	3-1/2" (89mm)
<b>Drain Location:</b>	Rear Center
<b>Minimum Cabinet Size:</b>	27"
<b>Mounting Hardware:</b>	Part # 64090012 included for countertops up to 3/4" (19mm) thick
<b>Cutout Template #:</b>	1000001248

Template is available for download at [elkay.com](http://elkay.com)

**Cutout Dimensions for Top Mount Installation:**

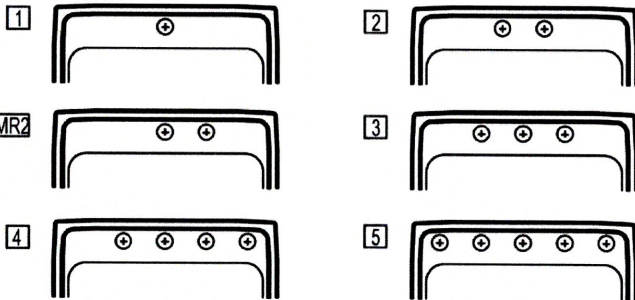
21-3/8" x 21-3/8" (543mm x 543mm) with 1-1/2" (38mm) corner radius



This sink is compliant to ADA and ANSI/ICC A117.1 accessibility requirements when installed according to the requirements outlined in these standards.

**Hole Drilling Configurations:**

1-1/2" (38mm) Diameter Faucet Holes on 4" (102mm) Centers



AMERICAN PRIDE. A LIFETIME TRADITION. Like your family, the Elkay family has values and traditions that endure. For almost a century, Elkay has been a family-owned and operated company, providing thousands of jobs that support our families and communities.

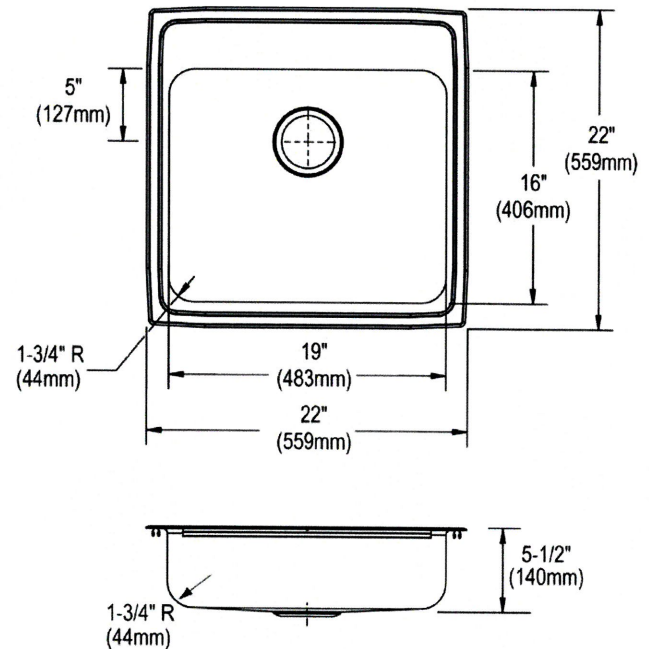


Sinks are listed by IAPMO® as meeting the applicable requirements of the Uniform Plumbing Code®, International Plumbing Code®, and National Plumbing Code of Canada.

**Product Compliance:** ADA & ICC A117.1  
ASME A112.19.3/CSA B45.4  
BUY AMERICAN ACT

[Clean and Care Manual \(PDF\)](#)  
[Installation Instructions \(PDF\)](#)  
[Limited Lifetime Warranty \(PDF\)](#)

**Similar models are available with:** Quick-Clip Mounting System, additional ADA depths, CuVerro antimicrobial copper



PART: \_\_\_\_\_ QTY: \_\_\_\_\_  
PROJECT: \_\_\_\_\_  
CONTACT: \_\_\_\_\_  
DATE: \_\_\_\_\_  
NOTES: \_\_\_\_\_  
APPROVAL: \_\_\_\_\_

In keeping with our policy of continuing product improvement, Elkay reserves the right to change product specifications without notice. Please visit [elkay.com](http://elkay.com) for the most current version of Elkay product specification sheets. This specification describes an Elkay product with design, quality, and functional benefits to the user. When making a comparison of other producers' offerings, be certain these features are not overlooked.

# MECHANICAL FAUCETS

## 786-GN8AE3VPCABCP

### Manual Faucets

S-4,5



#### Product Type

Deck Mounted 8" Fixed Centers Concealed Hot and Cold Water Sink Faucet

#### Features & Specifications

- 8" Fixed Centers
- 8" Rigid / Swing Gooseneck Spout
- 2.2 GPM (8.3 L/min) Vandal Proof Aerator
- 4" Vandal Proof Wristblade Handle
- Quatern Compression Operating Cartridge
- 1/2" NPSM Supply Inlets and Coupling Nut for 3/8" or 1/2" Flexible Riser
- ECAST® design provides durable construction with total lead content equal to or less than 0.25% by weighted average
- CFNow! Item Ships in 3 Days

#### Performance Specification

- Rated Operating Pressure: 20-125 PSI
- Rated Operating Temperature: 40-140°F

#### Warranty

- Lifetime Limited Faucet Warranty
- 5-Year Limited Cartridge Warranty
- 1-Year Limited Finish Warranty

#### Codes & Standards

- ASME A112.18.1/CSA B125.1
- Certified to NSF/ANSI 61, Section 9 by CSA
- ADA ANSI/ICC A117.1

Job Name \_\_\_\_\_

Item Number \_\_\_\_\_

Section/Tag \_\_\_\_\_

Model Specified \_\_\_\_\_

Architect \_\_\_\_\_

Engineer \_\_\_\_\_

Contractor \_\_\_\_\_

Submitted as Shown       Submitted with Variations

Date \_\_\_\_\_



#### ECAST

ECAST products are intended for installation where state laws and local codes mandate lead content levels or in any location where lead content is a concern.



DF-1

# ELKAY®

## Heavy Duty 14 Gauge Drinking Fountain Wall Mount, Fully Exposed Barrier-Free Access Models EHW217C and EHW217C

### SPECIFICATIONS

RATED FOR INDOOR AND OUTDOOR USE

#### PRODUCT SPECIFICATION

Two-level wall mounted drinking fountain constructed of #14 gauge, type 304, stainless steel polished to a lustrous satin finish.

Contoured basins minimizes splashing and have vandal-resistant bubblers. Keyed into location to prevent rotation. Easy to operate, fully functional push buttons are vandal-resistant. Vandal-resistant bottom cover plates included. Flow regulator provides constant stream from 20 to 105 psi water pressure.

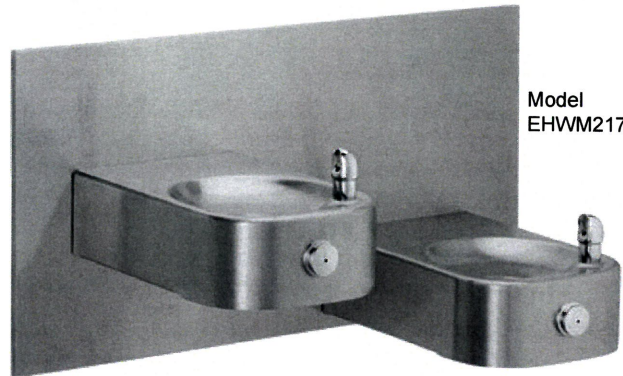
**THIS DRINKING FOUNTAIN COMPLIES WITH THE REQUIREMENTS OF A.D.A. (AMERICANS WITH DISABILITIES ACT) WHEN PROPERLY INSTALLED.**

#### NO LEAD DESIGN

**THIS DRINKING FOUNTAIN COMPLIES WITH THE LEAD FREE REQUIREMENTS OF THE U.S. SAFE DRINKING WATER ACT AND ALL STATE LAWS.**

Elkay Drinking Fountains are manufactured with a waterway system utilizing copper components and lead-free material.

This drinking fountain is certified by WQA to lead-free compliance including NSF/ANSI 61 and 372.



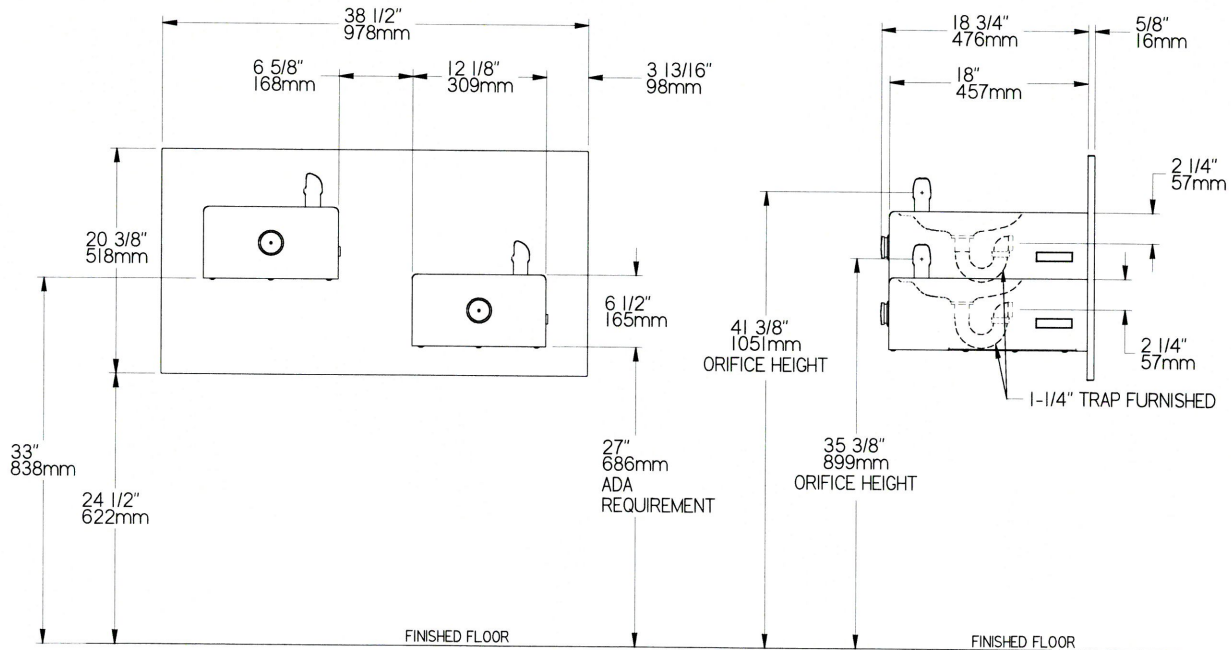
Model EHW217C

#### CONSTRUCTION

**EHW(M)217C** furnished complete with vandal-resistant bubblers, fully assembled front push buttons, flow regulator 20 to 105 psi and drain, trap assemblies, vandal-resistant 14 gauge bottom cover plates and surface mounting plate. Trap included.

**EHW217C** does not include the surface mounting plate. To be mounted with **MPW200** in-wall mounting plate. **ML100** in-wall support legs are optional.

Job Name: \_\_\_\_\_  
 Model: \_\_\_\_\_ Qty. \_\_\_\_\_  
 Contact: \_\_\_\_\_  
 Approval Signature: \_\_\_\_\_  
 Notes: \_\_\_\_\_



*In Keeping with our policy of continuing product improvement, Elkay reserves the right to change specification without notice. Please visit elkay.com*

*This specification describes an Elkay product with design, quality and functional benefits to the user. When making a comparison of other producer's offerings, be certain these features are not overlooked.*

2222 Camden Court  
Oak Brook, IL 60523  
630-572-3192  
elkay.com

@ 2016 Elkay  
SPEC14-50 (Rev 07/2016)

## DF-1 BOTTLE FILLER



model **1900**  
Bottle Filling Station

### FEATURES & BENEFITS

#### UNIVERSAL MOUNTING

This unit is perfect as a stand-alone bottle filling station, or easily located over virtually any wall mounted drinking fountain or water cooler with its quick mount wall frame. The unit connects to the fountain's water line, and naturally drains into the waste so there is no need for new water or drain lines.

#### CONSTRUCTION

Medium grey ABS plastic construction aesthetically blends in with stainless steel drinking fountain basins, and easily resists stains and fingerprints.

#### USEABLE FOOTPRINT

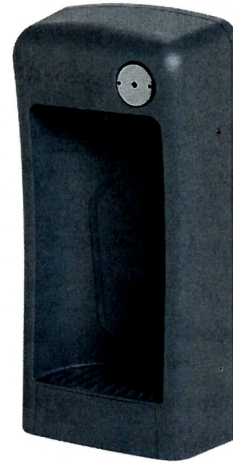
With its narrow width dimensions of only 8-1/4" (21 cm), this bottle filler can be mounted above almost any drinking fountain with ease. This compact size does not take away from its large bottle filling area accommodating bottle sizes up to 10" (25.4 cm) high.

#### REVERSIBLE DRAIN TRAY

Patent pending flexible design allows for outward drain to be reversed inward allowing drain water to be connected to waste inside of wall.

#### PUSH BUTTON

With its patented stainless steel, push-button activated valve assembly which allows for front access stream adjustment as well as cartridge and strainer access, this bottle filler offers 100% lead free waterways. The valve works at an operating pressure range of 30 to 90 psi (2.1 to 6.2 bar).



### SPECIFICATIONS

Model 1900 wall mounted bottle filler shall include 100% lead-free waterways, push-button operated stainless steel valve with front-accessible cartridge and flow adjustment, patent pending reversible waste attachment for over-fountain or in-wall waste drain, medium grey ABS plastic construction, and easy to use mounting frame with easy to follow mounting instructions.

### OPTIONS

- ❑ Remote Drinking Fountain Water chiller: Model HCR8, 8 gph (30.3 L) remote water chiller provides instantaneous cooling to meet a continuous demand for chilled water.

For more information, visit [www.hawsco.com](http://www.hawsco.com) or call (888) 640-4297.

### APPLICATIONS

This type of wall mounted bottle filler may be placed in settings such as: schools and other locations in and around office buildings with existing fountain installations where the temperature remains above freezing. Model meets all current Federal Regulations for the disabled including those in the Americans with Disabilities Act. Haws® manufactures drinking fountains and electric water coolers to be lead-free by all known definitions including NSF/ANSI 61, Section 9, NSF/ANSI 372, California Proposition 65, and the Federal Safe Drinking Water Act. Product is compliant to California Health and Safety Code 116875 (AB 1953-2006).





## G1902 Safety Station with Eyewash, Stainless Steel Bowl

**Application:** Combination eyewash and shower safety station. Two GS-Plus™ spray-type outlet heads deliver a flood of water for rinsing eyes.

**Shower Head:** 10" diameter orange ABS plastic.

**Shower Valve:** 1" IPS chrome plated brass stay-open ball valve. Valve is US-made with chrome plated brass ball and Teflon® seals. Furnished with stainless steel actuating arm and 29" stainless steel pull rod.

**Spray Head Assembly:** Two GS-Plus™ spray heads. Each head has a "flip top" dust cover, internal flow control and filter to remove impurities from water.

**Eyewash Bowl:** 11-1/2" stainless steel.

**Eyewash Valve:** 1/2" IPS chrome plated brass stay-open ball valve. Valve is US-made with chrome plated brass ball and Teflon® seals.

**Pipe and Fittings:** Schedule 40 galvanized steel. Furnished with orange polyethylene covers for vertical piping for high visibility and corrosion resistance.

**Supply:** 1-1/4" NPT female top or side inlet.

**Waste:** 1-1/4" NPT female outlet. Outlet can be positioned at either 9-1/4" or 19-5/8" above finished floor by reversing lower pipe nipples.

**Sign:** Furnished with ANSI-compliant identification sign.

**Quality Assurance:** Valve and spray head assemblies are factory assembled and water tested prior to shipment.

### Available Options

- GC** Powder coated finish on galvanized Pipe and Fittings. Available colors include orange, yellow, red and green.
- FC20** Regulates shower flow rate to 20 GPM.
- GRN** Green ABS plastic shower head.
- YEL** Yellow ABS plastic shower head.
- SSH** Stainless steel shower head.
- AP275-100 Electric Light and Alarm Horn**  
Light and alarm horn summon assistance when eyewash or shower is activated.
- AP250-015 Modesty Curtain**  
Modesty curtain for mounting on safety station.
- TMV** G3800LF thermostatic mixing valve precisely blends hot and cold water to deliver warm (tepid) water as required by ANSI Z358.1-2014.





- G5022** Eyewash/Drench Hose Unit, Deck Mounted
- G5022BP** Eyewash/Drench Hose Unit, Deck Mounted, with Backflow Preventer

**Application:** Dual purpose eyewash/drench hose for deck mounting. Unit meets the provisions of ANSI Z358.1-2014 as both an eyewash and a drench hose. Unit may be left in the deck flange for use as a fixed eyewash, leaving user's hands free. Alternatively, unit may be removed for use as a drench hose to rinse any part of user's eyes, face or body.

**Spray Head Assembly:** Two GS-Plus™ spray heads mounted side-by-side. Each head has a "flip top" dust cover, internal flow control and filter to remove impurities from the water flow.

**Valve:** Forged brass squeeze valve activated by stainless steel lever handle. Valve has replaceable stainless steel seat for exceptional durability. Locking clip engages when handle is depressed, providing "hands free" operation. Valve stays open until locking clip is released.

**Hose:** 8' reinforced PVC hose. 300 PSI maximum working pressure.

**Mounting:** Deck flange for countertop mounting. Flange has handle locator guide to position spray heads and handle facing forward at all times.

**Backflow Preventer:** In-line dual check backflow preventer installed on inlet of hose (G5022BP only). *Note: Check with code authority for compliance with local plumbing code.*

**Supply:** 3/8" NPT male swivel-type inlet.

**Sign:** ANSI-compliant identification sign.

**Quality Assurance:** Unit is completely assembled and water tested prior to shipment.

### Available Options

- DC** Stainless steel dust cover for each spray head.
- FSH** 8 ft. flexible stainless steel hose in place of PVC hose.
- HG** Undercounter hose guide bracket to prevent hose from tangling or binding.
- VB** In-line vacuum breaker for installation between valve and spray head.
- TMV** G3600LF thermostatic mixing valve precisely blends hot and cold water to deliver warm (tepid) water as provided by ANSI Z358.1-2014. Refer to "Tempering Units" section for complete technical and product selection information.





## G3600LF Tempering Valve, 6 Gallon Capacity

**Application:** Tempering valve to blend hot and cold water to deliver tepid water. Valve has flow capacity of 2 to 6 gallons per minute (GPM). Valve can be used with an eyewash, eye/face wash, dual purpose eyewash/drench hose or drench hose unit.

**Temperature Control:** Valve has bimetallic thermostat that senses incoming water temperature and automatically blends water to 85°F (29°C). High temperature limit stop is set to 90°F (32°C). Valve has dial thermometer on outlet to monitor temperature of delivered water. *Note: Valve may need to be adjusted when installed based on incoming water temperature. Refer to "Installation Instructions" on the following page for further information.*

**Fail Safe:** In event of restriction or failure of hot water supply, internal bypass allows valve to deliver cold water to emergency unit. In bypass mode, valve will deliver 4 GPM of cold water at 30 PSI flow pressure. In event of loss of cold water supply, valve will close to prevent scalding and not deliver water.

**Flow Capacity:** Refer to chart below for flow capacity of valve at specified pressure drops:

<b>System Pressure Drop (PSI)</b>	5	10	15	20	25	30	35	40
<b>Flow Rate (GPM)</b>	2.0	2.7	3.5	4.5	5.5	6.5	7.5	8.5
<b>System Pressure Drop (Bar)</b>	0.3	0.7	1.0	1.4	1.7	2.1	2.4	2.8
<b>Flow Rate (Liters per Minute)</b>	7.6	10	13	17	21	25	28	32

**Supply Temperature:** Minimum recommended hot water supply temperature is 120°F (49°C). *Note: Extremely cold climates may require a hot water supply temperature greater than 120°F (49°C).*

**Supply Pressure:** 30 PSI minimum supply pressure is required for proper valve operation. Maximum supply pressure is 125 PSI. Maximum hot to cold water pressure differential is 5%.

**Mounting:** Furnished with heavy duty mounting bracket for securing valve to panel or wall.

**Inlets:** 1/2" nominal sweat female hot and cold water inlets. Each inlet has check valve and supply stop.

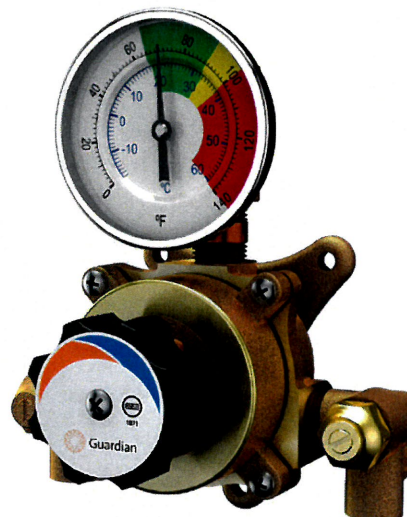
**Outlet:** 1/2" NPT female outlet.

**Quality Assurance:** Valve is completely assembled and water tested prior to shipment. Valve is certified to ASSE 1071. Valve is certified to meet low lead requirements of wetted surface area less than 0.25% lead by weight.

### Additional Models

G3602LF Same as above except valve is installed in surface mounted stainless steel cabinet.

G3607LF Same as above except valve is installed in recess mounted stainless steel cabinet.



**IMPORTANT:** Pursuant to ANSI Z358.1-2014, the water delivered by emergency equipment should be "tepid". Tepid is defined as moderately warm or lukewarm, and is generally considered to be between 60°F (15°C) and 90°F (32°C). However, in certain circumstances, a chemical reaction may be accelerated or otherwise affected by the water temperature. Please consult with a medical advisor to determine the optimum delivered water temperature prior to specifying, installing or using a tempering valve.

Tempering valves will not deliver the appropriate water temperature if the system has not been sized correctly. Please refer to the flow capacities and supply pressure requirements listed above when designing the tempered water system and selecting tempering valves.

Tempering valves, like all emergency eyewash and shower equipment, must be installed in accordance with the manufacturer's instructions and maintained on a regular basis. Under ANSI Z358.1-2014, all emergency equipment should be activated weekly and inspected at least annually. Tempering valves should be treated the same and, in addition, must be regularly cleaned and cycled.