

TO: **BLRB Architects**
404 SW Columbia St
Bend, OR 97702

PROJECT NAME: Pilot Butte Middle School Renovation – Buildings A, E & F

We hereby submit for consideration, the following product instead of specified item for above project:

Section: 224000 Paragraph: 2.3 K

Specified Item Guardian Model G1849

Proposed Substitution: Stingray Systems Model S2240-NPT-NP

Attach complete dimensional information and technical data including laboratory tests, if applicable.

Include complete information on changes to Drawings and/or specifications, which proposed substitution will require for its proper installation.

Submit with request all necessary samples and substantiating data to provide equal quality, performance, and appearance to that which is specified. Clearly mark manufacturer's literature to indicate equality in performance. Differences in quality of materials and construction shall be indicated.

The undersigned states that the following paragraphs, unless modified on attachments, are correct:

1. The proposed substitutions do not affect dimensions shown on drawings.
2. The undersigned will pay for changes to the building design, including engineering design, detailing and construction costs caused by the requested substitution.
3. The proposed substitution will have no adverse affect on other trades, the construction schedule, or specified warranty requirements.
4. Maintenance and service parts will be locally available for the proposed substitution.
5. The proposed substitution will have no affect on applicable codes.
6. The manufacturer's guarantee or warranties of proposed product is equivalent to; or exceeds that of the specified product.
7. Proposed substituted item will match all sizes, profiles, specifications and colors of item originally specified.

List of names and location of three similar projects on which product was used, date of installation, and Architect's name and phone number.

Project No. 1: See Attached

Project No. 2: _____

Project No. 3: _____

CC: MFZA

CERTIFICATION OF EQUAL
PERFORMANCE AND
ASSUMPTION OF LIABILITY
FOR EQUAL PERFORMANCE

UNDERSIGNED ATTESTS THAT
FUNCTION AND QUALITY ARE
EQUAL TO OR SUPERIOR TO
SPECIFIED ITEMS.

FOR USE BY ARCHITECT:	
_____ Accepted	_____ Accepted as Noted
_____ Not Accepted	_____ Received Too Late
By: _____	
Date: _____	
Remarks: _____	

Submitted By: Brenda Logan

Signature : Brenda Logan

Title: secty/treas

Firm: Specification Sales Inc.

Address: 1126-8th St.
Kirkland, WA 98033

Telephone: 425-576-0278

Date : 3-2-18

Above signature must be by person having authority to
legally bind his firm to the above terms.

END OF SECTION

SPECIFICATION SALES, INC

MAIN OFFICE

1126 8TH STREET

KIRKLAND, WA 98033

P 425-576-0278

F 425-576-0748

Info@SpecSls.net

OREGON OFFICE

P 360-921-7623

F 425-576-0748

Mike@SpecSls.net

February 15, 2017

To: BLRB Architects

Subject: Pilot Butte Middle School

Re: **Stingray Systems - Tepid Solutions**
Previous Installations

Lynnwood Lift Station
Lynnwood, WA
City of Lynnwood
June 2016

Pasco High School Ph3
Pasco, WA
Meier Architecture & Engineering
August 2016

Spokane Satellite Maintenance
Spokane, WA
Stantec Architecture
Dec 2016

JBLM COF & TEMF 2015
JBLM, WA
Corp of Engineers
Purchasing 9 Safety Showers
Nov 2017



5330 East 25th Street
Indianapolis Indiana 46218
(888) 445-4142
www.tepid.com

Emergency Eyewash EW-1
ANSI/ISEA Z358.1 Certified
Patent Information:
tepid.com/patents
Model: S2240-NFT-NP

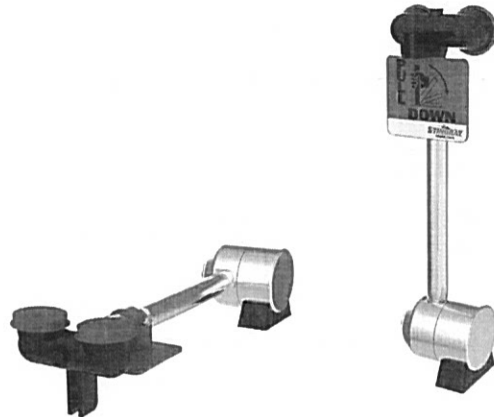
Stingray Systems S2240/S2540 Deck Mounted Swing Down Eye & Eye/Face Wash

Series: S2240/S2540

The deck mounted S2240/S2540 is an emergency eyewash or eye/face wash that is swing-down operated. It shall be manufactured of corrosion resistant materials. A ceramic stay open valve, that is housed in a lead-free brass body, accomplishes the activation of the unit. The water will start to flow once the arm is pulled down over the sink. Turning the water off is accomplished by simply putting the arm back in the vertical position. It shall also include a universal ANSI compliant sign.

The spray heads shall be ABS with dust caps and incorporated into a Quick Switch Eyewash Block that can be easily removed and serviced, allowing the supply piping to be flushed. The Quick Switch Eyewash Block (with optional integral point of use filters) shall be a single supply source eyewash to ensure symmetrical and equal flow through each spray head. The water shall be delivered to the Quick Switch Eyewash Block from the housing by a stainless steel supply pipe that is 1/2" in diameter. The eyewash or eye/face wash shall be installed at the correct elevation per ANSI/ISEA Z358.1, be level and be self draining to hinder bacteria growth. The unit shall also be independently certified to meet the latest ANSI/ISEA Z358.1 requirements.

As an eyewash, this fixture will have a regulated flow rate of less than 3 gpm when measured at 30 psi. As an eye/face wash, it shall deliver a regulated flow of more than 3 gpm, measured at 30 psi.



Mounting:

- S2240 Deck Mounted Eye Wash
- S2540 Deck Mounted Eye/Face Wash

Pipe Finish:

- Nickel Plated with Stainless Steel Pull(NP)

Quick Switch Eyewash Block Options:

- Filter (FLT)
- No Filter (NFT)

For a complete **TEPID** solution, this fixture shall be combined with a Stingray SV107 emergency mixing valve.



5330 East 25th Street
Indianapolis Indiana 46218
(888) 445-4142
www.tepid.com

ANSI/ISEA Z358.1 Certified
Patent Information:
tepid.com/patents

Model: S2240 & S2540

