

TO: **BLRB Architects**
404 SW Columbia St
Bend, OR 97702

PROJECT NAME: Pilot Butte Middle School Renovation – Buildings A, E & F

We hereby submit for consideration, the following product instead of specified item for above project:

Section: 224000 Paragraph: 2.3 J

Specified Item Guardian Model G

Proposed Substitution: Stingray Systems Model S3030-GA-NA/SS, S2530-NPT-SS/NA & ACC100 Audio/Visual Alarm

Attach complete dimensional information and technical data including laboratory tests, if applicable.

Include complete information on changes to Drawings and/or specifications, which proposed substitution will require for its proper installation.

Submit with request all necessary samples and substantiating data to provide equal quality, performance, and appearance to that which is specified. Clearly mark manufacturer's literature to indicate equality in performance. Differences in quality of materials and construction shall be indicated.

The undersigned states that the following paragraphs, unless modified on attachments, are correct:

1. The proposed substitutions do not affect dimensions shown on drawings.
2. The undersigned will pay for changes to the building design, including engineering design, detailing and construction costs caused by the requested substitution.
3. The proposed substitution will have no adverse affect on other trades, the construction schedule, or specified warranty requirements.
4. Maintenance and service parts will be locally available for the proposed substitution.
5. The proposed substitution will have no affect on applicable codes.
6. The manufacturer's guarantee or warranties of proposed product is equivalent to; or exceeds that of the specified product.
7. Proposed substituted item will match all sizes, profiles, specifications and colors of item originally specified.

List of names and location of three similar projects on which product was used, date of installation, and Architect's name and phone number.

Project No. 1: See Attached

Project No. 2: _____

Project No. 3: _____

cc: mja.

**CERTIFICATION OF EQUAL
PERFORMANCE AND
ASSUMPTION OF LIABILITY
FOR EQUAL PERFORMANCE**

UNDERSIGNED ATTESTS THAT
FUNCTION AND QUALITY ARE
EQUAL TO OR SUPERIOR TO
SPECIFIED ITEMS.

FOR USE BY ARCHITECT:	
<input checked="" type="checkbox"/> Accepted	<input type="checkbox"/> Accepted as Noted
<input type="checkbox"/> Not Accepted	<input type="checkbox"/> Received Too Late
By: <u>Jakako Biken</u>	
Date: <u>3-8-18</u>	
Remarks: _____	

Submitted By: Brenda Logan

Signature : Brenda Logan

Title: secty/treas

Firm: Specification Sales Inc.

Address: 1126-8th St.
Kirkland, WA 98033

Telephone: 425-576-0278

Date : 3-2-18

Above signature must be by person having authority to
legally bind his firm to the above terms.

END OF SECTION

SPECIFICATION SALES, INC

MAIN OFFICE

1126 8TH STREET

KIRKLAND, WA 98033

P 425-576-0278

F 425-576-0748

Info@SpecSls.net

OREGON OFFICE

P 360-921-7623

F 425-576-0748

Mike@SpecSls.net

February 15, 2017

To: BLRB Architects

Subject: Pilot Butte Middle School

Re: **Stingray Systems - Tepid Solutions**
Previous Installations

Lynnwood Lift Station
Lynnwood, WA
City of Lynnwood
June 2016

Pasco High School Ph3
Pasco, WA
Meier Architecture & Engineering
August 2016

Spokane Satellite Maintenance
Spokane, WA
Stantec Architecture
Dec 2016

JBLM COF & TEMF 2015
JBLM, WA
Corp of Engineers
Purchasing 9 Safety Showers
Nov 2017



5330 East 25th Street
Indianapolis Indiana 46218
(888) 445-4142
www.tepid.com

Emergency Shower ESH-1
ANSI/ISEA Z358.1 Certified
Patent Information:
tepid.com/patents

Model: S3030-GA-NA/SS

Stingray Systems S3030/S3035 Wall Mounted Emergency Shower

Series: S3030/S3035

The S3030/S3035 emergency shower is a wall mounted unit that shall be manufactured of corrosion resistant materials and shall include ANSI compliant signage. The shower shall include a First Aid Red ABS showerhead (or stainless steel showerhead) designed to give the user uniform and non-forceful flow over the entire coverage area at 20 gpm at 30psi. A stainless steel pull handle connected to the nickel-plated ball valve accomplishes activation of the shower.

The shower can incorporate a 1/4" thick plate that is 8" in diameter and shall be secured to the wall with appropriate anchors. The inlet piping shall be galvanized steel (or epoxy coated or stainless steel) and 1" NPT. The shower shall be installed at the correct elevation per the standard, be installed level and be self-draining to hinder bacteria growth. The shower shall also be independently certified to meet the latest ANSI/ISEA Z358.1 requirements.



Model Number:

- S3030 Wall Mounted Standard Shower
- S3035 Wall Mounted Barrier Free Shower

Pipe Finish:

- Galvanized (GA)
- Epoxy Coated (EP)
- Stainless Steel (SS)

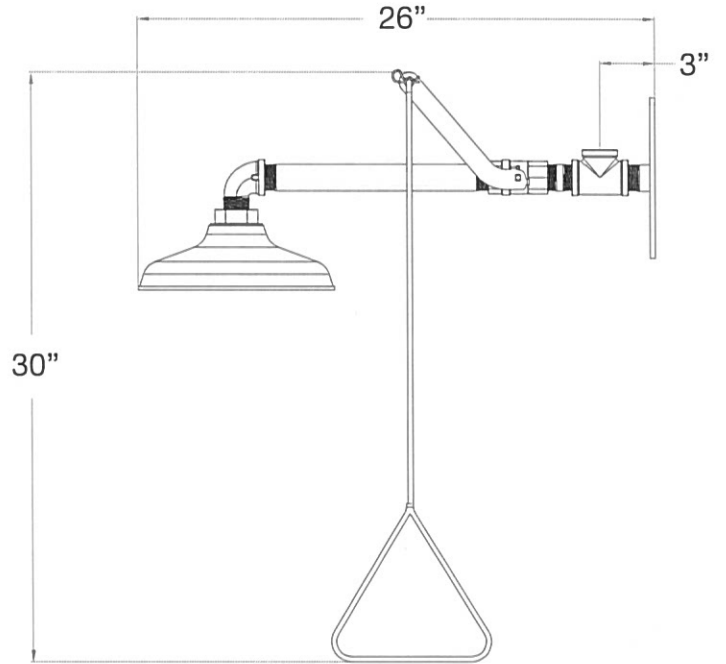
Showerhead Material Options:

- ABS (NA/AB)
- Stainless Steel (NA/SS)

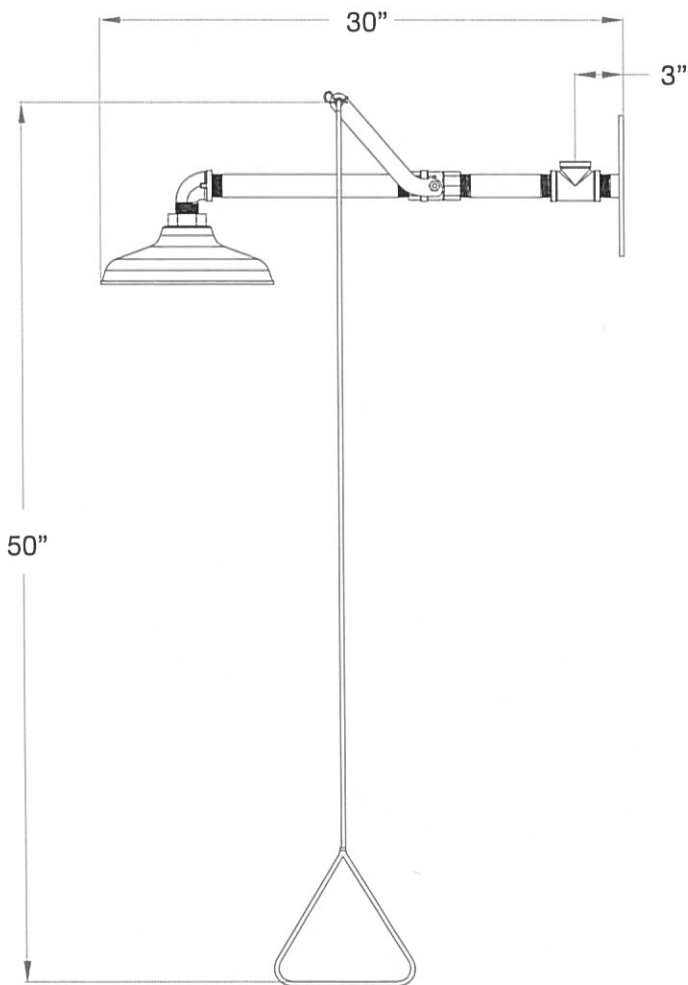
For a complete **TEPID** solution, this fixture shall be combined with a Stingray SV125 or SV160 emergency mixing valve.



5330 East 25th Street
Indianapolis Indiana 46218
(888) 445-4142
www.tepid.com



Model: S3030



Model: S3035



5330 East 25th Street
Indianapolis Indiana 46218
(888) 445-4142
www.tepid.com

Emergency Eyewash for ESH-1
ANSI/ISEA Z358.1 Certified
Patent Information:
tepid.com/patents
Model: S2530-NFT-SS/NA

Stingray Systems S2530/S2535 Wall Mounted Eye/Face Wash

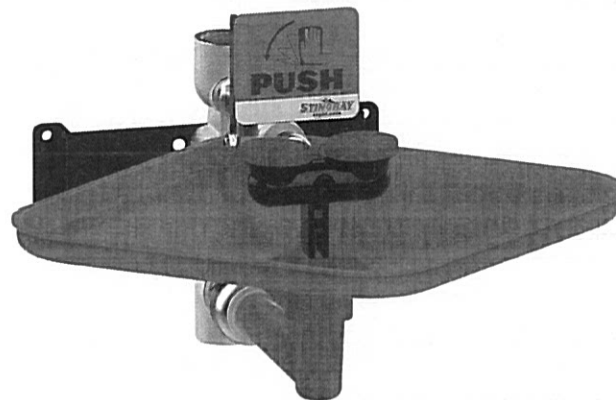
Series: S2530/S2535

The S2530/S2535 emergency eye/face wash is a wall mounted unit that shall be manufactured of corrosion resistant materials. The manifold assembly shall be a nickel-plated brass unit with 1" NPT female connections for inlet and drain piping. It shall include a centrally located activator with universal ANSI compliant sign.

The bowl assembly shall include a First Aid Red ABS bowl (or stainless steel bowl or no bowl at all). The spray heads shall be PVC with dust caps and designed to flow at the specified flow rate. The spray heads shall be incorporated into a Quick Switch Eyewash Block that can be easily removed and serviced, allowing the supply piping to be flushed. The Quick Switch Eyewash Block (with optional integral point of use filters) shall be a single supply source eyewash unit to ensure symmetrical and equal flow through each spray head. The eye/face wash will come complete with nickel-plated inlet pipe and epoxy coated wall mount bracket. The eye/face wash shall be installed at the correct elevation per ANSI/ISEA Z358.1, be level and be self draining to hinder bacteria growth. The eye/face wash shall also be independently certified to meet the latest ANSI/ISEA Z358.1 requirements.

As an eye/face wash system, this fixture will have a regulated flow rate of more than 3 gpm measured at 30 psi.

The modular design will allow for modifying the specs of eyewash without replacement of the whole unit.



Model Number:

- S2530 Wall Mounted Standard Eye/Face wash
- S2535 Wall Mounted Barrier-Free Eye/Face wash

Quick Switch Eyewash Block Options:

- Filter 70 Micron (FLT)
- No Filter (NFT)

Bowl Material Options:

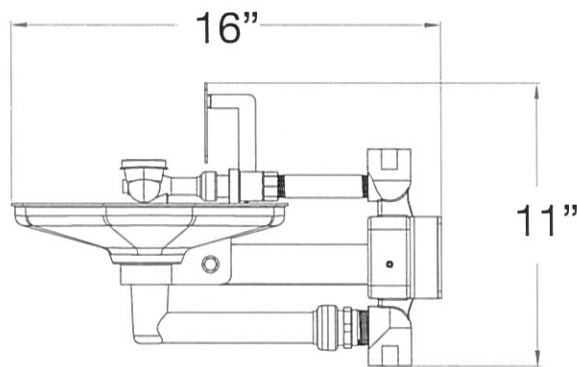
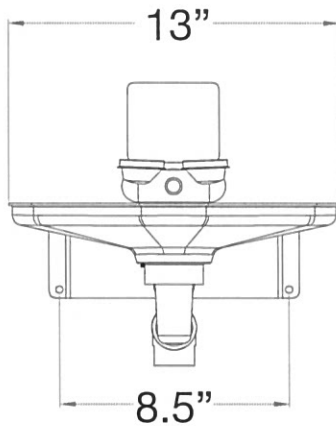
- First Aid Red ABS (AB/NA)
- Stainless Steel (SS/NA)
- No Bowl (NA/NA)

For a complete **TEPID** solution, this fixture shall be combined with a Stingray SV107 emergency mixing valve.

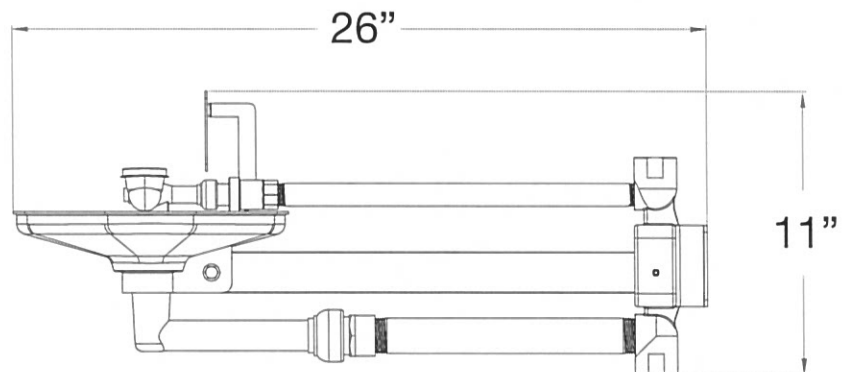
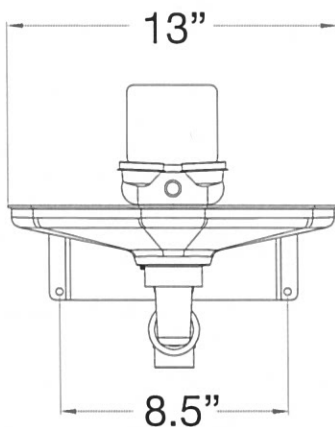


5330 East 25th Street
Indianapolis Indiana 46218
(888) 445-4142
www.tepid.com

ANSI/ISEA Z358.1 Certified
Patent Information:
tepid.com/patents



Model: S2530



Model: S2535



5330 East 25th Street
Indianapolis Indiana 46218
(888) 445-4142
www.tepid.com

Stingray Systems ACC100/ ACC200 Audio & Visual Alarm

Model: ACC100/ ACC200

The ACC100 is an emergency audio and visual alarm system for emergency eye/face wash or showers. It is to be mounted to the piping of the emergency plumbing unit or attached to the wall. A single pole/double throw flow switch operates the alarm system and will cause the alarm to activate at 2.3 gpm of flow. The audio portion of the alarm is an adjustable 78-101 dB horn, while the visual portion of the alarm is an amber colored strobe light. The horn can be silenced for testing by turning it off at the speaker.

Unit requires 5 amp, 125/250V AC electrical service.

ACC200 includes all of the above plus the option to integrate the alarm system into the building maintenance system using a set of dry contacts configurable in either a normally-open or normally closed state. The ACC200 utilizes a double pole/double throw flow switch for operation.

Audio & Visual Alarm System Model:

- ACC100
 ACC200
- 1/2" Connection
 1" Connection

