

TO: **BLRB Architects**
404 SW Columbia St
Bend, OR 97702

PROJECT NAME: Pilot Butte Middle School Renovation – Buildings A, E & F

We hereby submit for consideration, the following product instead of specified item for above project:

Section: 224000 Pg. 4 Paragraph: 2.3.K
Specified Item Guardian G1849
Proposed Substitution: Acorn Safety 50860

Attach complete dimensional information and technical data including laboratory tests, if applicable.

Include complete information on changes to Drawings and/or specifications, which proposed substitution will require for its proper installation.

Submit with request all necessary samples and substantiating data to provide equal quality, performance, and appearance to that which is specified. Clearly mark manufacturer's literature to indicate equality in performance. Differences in quality of materials and construction shall be indicated.

The undersigned states that the following paragraphs, unless modified on attachments, are correct:

1. The proposed substitutions do not affect dimensions shown on drawings.
2. The undersigned will pay for changes to the building design, including engineering design, detailing and construction costs caused by the requested substitution.
3. The proposed substitution will have no adverse affect on other trades, the construction schedule, or specified warranty requirements.
4. Maintenance and service parts will be locally available for the proposed substitution.
5. The proposed substitution will have no affect on applicable codes.
6. The manufacturer's guarantee or warranties of proposed product is equivalent to; or exceeds that of the specified product.
7. Proposed substituted item will match all sizes, profiles, specifications and colors of item originally specified.

List of names and location of three similar projects on which product was used, date of installation, and Architect's name and phone number.

Project No. 1: 4J school district Eugene, OR 1/2014 Rodd Hansen (541) 687-7800
Project No. 2: University of Oregon Misc. Projects Eugene, OR 2014/2015 TBG (541) 687-1010
Project No. 3: Univ. of Oregon Memorial Union Bldg. Eugene, OR 1/2015 Glumac (503) 237-5286


ADMINISTRATIVE SCHOOL DISTRICT #1

Pilot Butte Middle School Renovation – Buildings A, E & F

01 2500-3

**CERTIFICATION OF EQUAL
PERFORMANCE AND
ASSUMPTION OF LIABILITY
FOR EQUAL PERFORMANCE**

UNDERSIGNED ATTESTS THAT
FUNCTION AND QUALITY ARE
EQUAL TO OR SUPERIOR TO
SPECIFIED ITEMS.

Submitted By: Matt Files
Signature: 
Title: Project Coordinators
Firm: Braleley Gray & Associates
Address: 2818 E 2nd Street
Vancouver, WA
Telephone: 360-693-9900
Date: 3/6/18

Above signature must be by person having authority to
legally bind his firm to the above terms.

FOR USE BY ARCHITECT:	
<input checked="" type="checkbox"/> Accepted	<input type="checkbox"/> Accepted as Noted
<input type="checkbox"/> Not Accepted	<input type="checkbox"/> Received Too Late
By: <u>Inakako Biken</u>	
Date: <u>3-8-18</u>	
Remarks: _____	

END OF SECTION

Model S0860-RH

Deck Mounted, Swing Down Eye/Face Wash



SPECIFICATIONS:

Model S0860-RH is a deck mounted swing down eye/face wash that is installed behind the sink with ABS plastic eye/face wash spray heads. The eye/face wash swings down over the sink from the rear and the water flow is activated automatically. The eye/face wash flow is terminated once the unit has been swung back up into its original position for storage.

STANDARD EQUIPMENT:

Spray Head Assembly: ABS yellow plastic eye/face wash heads with integral flip dust covers, internal flow controls and filters to remove debris from the water. An anti-microbial agent is molded into the ABS material, providing integrated protection.

Valve: Swing down valve is mounted behind the sink on the countertop and has a 50 mesh inline strainer.

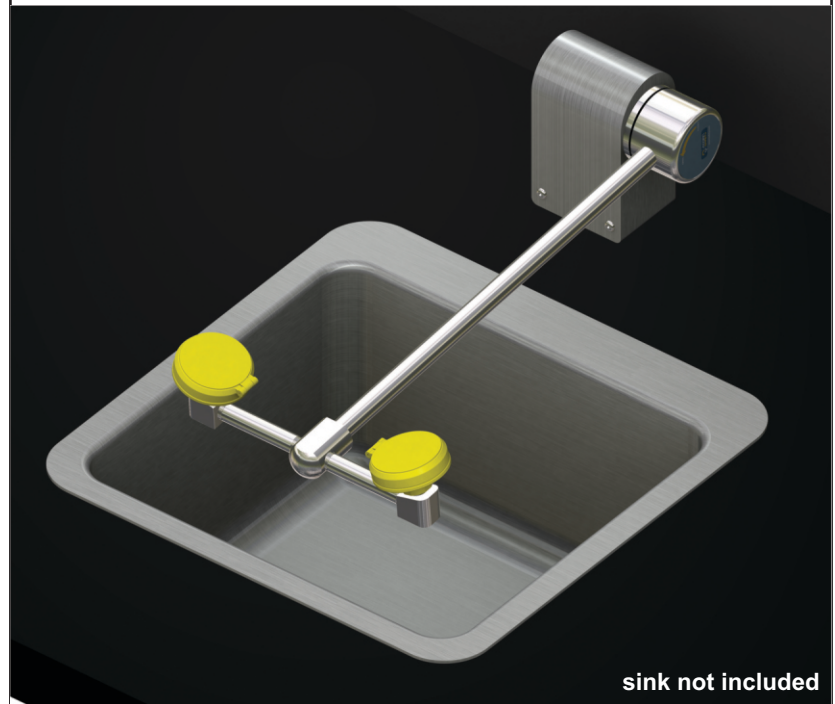
Water Supply: 1/2" NPT female threaded brass inlet.

Mounting: Deck mounted, 304 stainless steel valve housing.

Universal Sign: ANSI compliant, vertical identification sign.

Weekly Test Tag: A water proof test card to record the date and inspector's name for weekly functional testing of the unit.

Model: S0860-RH



sink not included

OPTIONAL ACCESSORIES:

Additional costs may be incurred

- AS All stainless steel
- ET71-1-BVS-OTG Thermostatic mixing valve is ASSE Listed per the ASSE 1071 standard. The tepid output water complies with ANSI Z358.1 standard. Valve includes Ball Valve Shut-offs and Outlet Temperature Gauge
- FLW2 Flow switch, single pole
- LH Left hand mounting (Use model S0860-LH)
- SDC Stainless steel dust covers



Member of
U.S. Green
Building Council



Recyclable
Product

Acorn Safety assumes no responsibility for use of void or superseded data. © Copyright Acorn Safety®, City of Industry, CA, Division of Acorn Engineering Company®, Member of Morris Group International™. Please visit www.acorneng.com for most current specifications.

Submittal # **S0860-RH**
[EFW] Revised: 01/21/16

Product carries the following certifications:



Test rating conditions are compliant to ANSI Z358.1-2009



Division of
Acorn Engineering Company®,
Member of
Morris Group International™

ACORN SAFETY

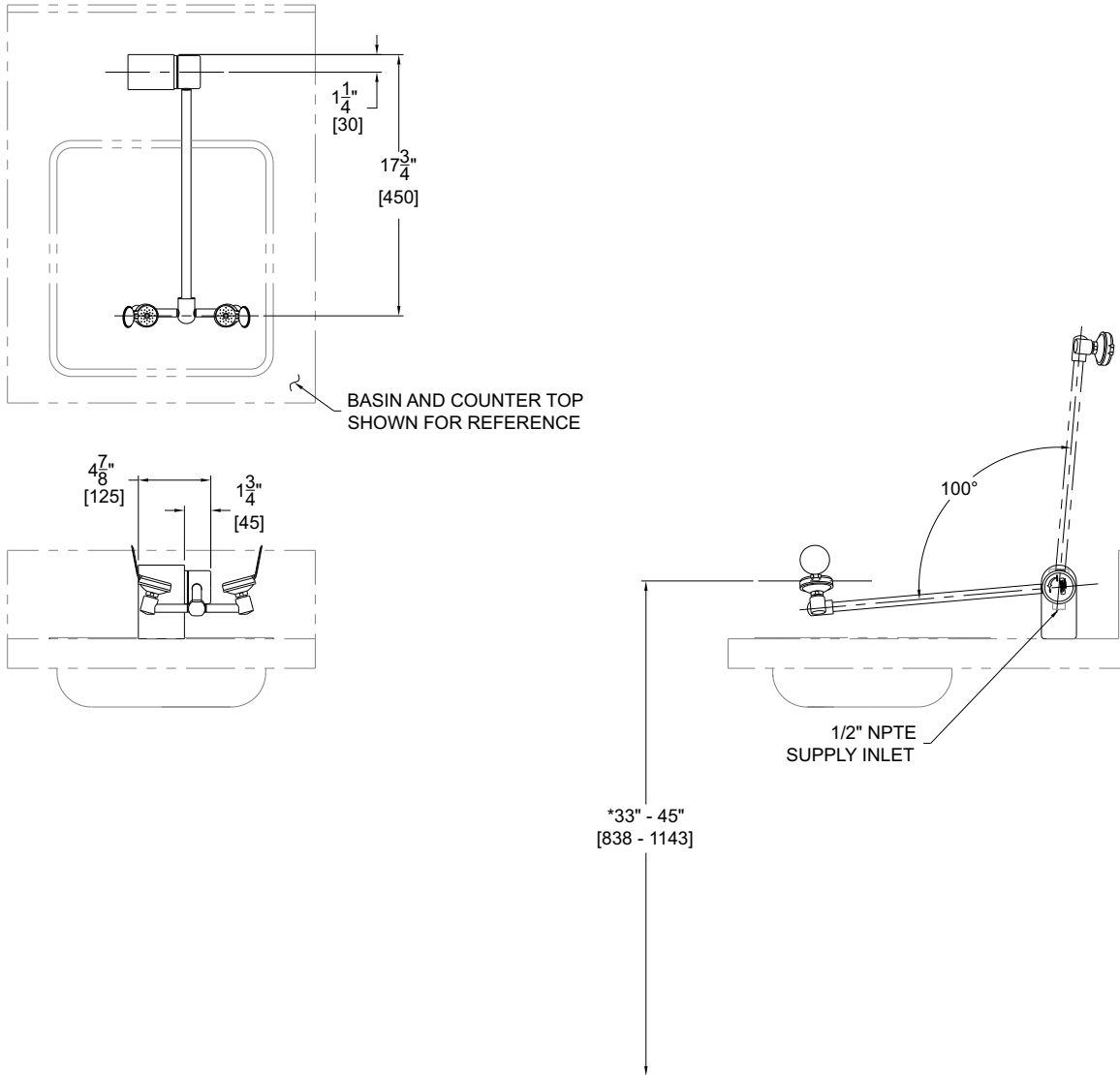
P.O. Box 3527
City of Industry, CA
91744 U.S.A.
Phone 800-591-9372
626-855-4804

www.acorneng.com

TECHNICAL DIMENSIONS

All dimensions are subject to manufacturer's tolerance of plus or minus 1/2" nominal and subject to change without notice. Acorn Safety® assumes no responsibility for use of void or superseded data. Dimensions may change with the addition of optional accessories. © Acorn Safety®, A Division of Acorn Engineering Company®, Member of Morris Group International™. Please visit www.acorneng.com for most current specifications.

☐ Model S0860-RH : Deck Mounted, Swing Down Eye/Face Wash



S0860-RH

GENERAL NOTES:

1. ALL DIMENSIONS ARE INCHES [MM].
- *2. ANSI Z358.1 REQUIRES NOZZLES TO BE MOUNTED BETWEEN 33" - 45" [838 - 1143] ABOVE THE FINISHED FLOOR.
3. RIGHT HAND MODEL SHOWN. LEFT HAND MODELS AVAILABLE.

S0860-RH Revised: 01/21/16

Acorn Safety warrants that its products are free from defects in material or workmanship under normal use and service for a period of one year from date of shipment. Acorn's liability under this warranty shall be discharged solely by replacement or repair of defective material, provided Acorn is notified in writing within one year from date of shipment, F.O.B. Industry, California.

SELECTION SUMMARY & APPROVAL FOR MANUFACTURING

Model Number & Options _____ Quantity _____

Company _____

Contact _____ Title _____

Signature (Approval for Manufacturing) _____ Date _____



800-591-9372
or 626-855-4804
www.acorneng.com

Model ET71-BVS-OTG Series

Lead-Free Emergency Fixture Thermostatic Mixing Valve with Cold Water Bypass and Includes Ball Valve Shut-offs and Outlet Temperature Gauge



APPLICATION:

The Acorn ET71-BVS-OTG Series Emergency Tempering Valve is certified to ASSE 1071, rev 2012 and will deliver safe tepid water to safety systems such as eye, face and shower fixtures and combination units. It's factory set to 85° F to ensure comfort when used with an eye wash, yet can be safely set up to 95° F for maximum comfort and effectiveness when used with body washes. The ET71 is offered in 4 models/sizes you can meet the needs of your application based on minimum flow performance requirements and maximum flow demands. This valve can be used to control the temperature of recirculating as well as non-recirculating supply systems.



ET71-1-BVS-OTG

Patent Pending

FEATURES:

- IAPMO certified per ASSE 1071 at the minimum flow rates shown in the chart to the right.
- Lead-Free certified DZR brass body with corrosion resistant and lead free internal components.
- Integral cartridge style checks with screens to prevent backflow and to filter debris from entering the valve.
- On demand internal cold water bypass ensures the flow of cold water in the event of loss of hot water.
- Temperature adjustment is made using a allen wrench. A locknut on the bonnet prevents unauthorized or accidental temperature adjustment.
- Commercial quality paraffin actuator provides repeatable, reliable performance.
- Acorn's -BVS lockable ball valve shut-offs meet ANSI Z358 and ASSE 1071 requirements that state "If shut-off valves are installed in the supply line for maintenance purposes provisions SHALL be made to prevent unauthorized shut-off". Acorn eliminates the need for a locked cabinet or other means to prevent unauthorized access to un-lockable, and potentially unsafe, check stop shut-off valves."
- Outlet Temperature Gauge

◆ The wetted surface of these valves contacted by consumable water contains less than 0.25% of lead by weight in conformance with national lead free law.

GUIDE SPECIFICATION:

Emergency Fixture Thermostatic Mixing Valve shall be IAPMO lab certified to ASSE 1071 and CSA standards. Valve shall have an on demand internal cold water bypass of at least 60% of the normal flow rate. Valve body shall be "lead-free" brass with corrosion resistant internal components. Checks and screen must be integral. The sensor will be an advanced paraffin actuator with a temperature range of 60° to 95° F (16° or 35° C) or 60° to 90° F (16° to 32° C) (†), factory set to 85° F (29° C) and adjustable by the safety officer. A locknut will prevent unauthorized or accidental set point changes. Shut-offs shall be lockable ball valves to help prevent unauthorized or accidental closing in accordance with ANSI Z358 and ASSE 1071. Valve shall include an outlet temperature gauge. Valve shall be Acorn Model ET71 - (1,2,3 or 4) - BVS-OTG-(Option(s))."

SPECIFICATIONS:

Valve Specifications:

Maximum Operating Pressure: 125 psi (861 kpa)
 Maximum Hot Water Supply Temp: 180°F (82°C)
 Outlet Temp. Range: 60-95°F (15-35°C)
 (ET71-4 Only)..... 60-90°F (15-32°C)
 Minimum Hot Water Supply 5°F (3°C)
 Above Set Point

Certified Minimum Flow*:

ET71-1-BVS-OTG 0.5 gpm (1.9 lpm)
 ET71-2-BVS-OTG 1 gpm (3.8 lpm)
 ET71-3-BVS-OTG 2 gpm (7.6 lpm)
 ET71-4-BVS-OTG 3 gpm (11.4 lpm)

GPM (LPM) FLOW RATES @30 PSID*			
MODEL	TEMPERED	CW BY-PASS	CW FAILURE MAX.
ET71-1-BVS-OTG	9.8 (37.1)	6.5 (24.5)	0.5 (1.9)
ET71-2-BVS-OTG	35.1 (133)	25 (94.6)	1 (3.8)
ET71-3-BVS-OTG	70.2 (256.7)	60 (227)	1 (3.8)
ET71-4-BVS-OTG	110 (416.4)	80 (302.8)	1 (3.8)

* In accordance with ASSE 1071 (†) For ET71-4 Only



Member of U.S. Green Building Council



Recyclable Product

Acorn Safety assumes no responsibility for use of void or superseded data. © Copyright Acorn Safety®, City of Industry, CA, Division of Acorn Engineering Company®, Member of Morris Group International™. Please visit www.acorneng.com for most current specifications.

Submittal # **ET71-BVS-OTG Series**
 Revised: 01/22/16 Page 1 of 3

Product carries the following certifications:



C ASSE 1071
 CSA B125.3



Division of Acorn Engineering Company®, Member of Morris Group International™

ACORN SAFETY

P.O. Box 3527
 City of Industry, CA
 91744 U.S.A.
 Phone 800-591-9372
 626-855-4804

www.acorneng.com

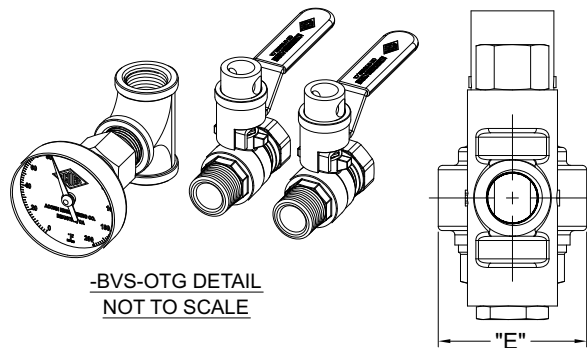
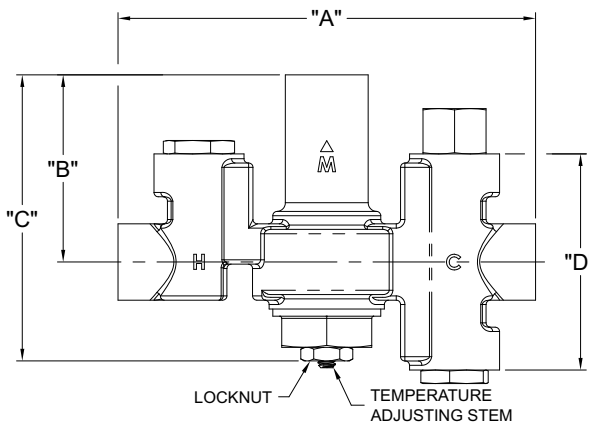
VALVE SELECTION:

- ET71-1-BVS-OTG Brass Valve Body With Ball Valve Shut-offs, Outlet Temperature Gauge & 1/2" NPT Inlet & Outlet Connections
- ET71-2-BVS-OTG Brass Valve Body With Ball Valve Shut-offs, Outlet Temperature Gauge, 3/4" NPT Inlets & 1" NPT Outlet Connections
- ET71-3-BVS-OTG Brass Valve Body With Ball Valve Shut-offs, Outlet Temperature Gauge, 1" NPT Inlet & 1-1/4" NPT Outlet Connections
- ET71-4-BVS-OTG Brass Valve Body With Ball Valve Shut-offs, Outlet Temperature Gauge, 1-1/4" NPT Inlet & 1-1/2" NPT Outlet Connections

Acorn's locking ball valves are the only safe and acceptable method for supply shut-off to this product, unless installed in a lockable cabinet or other means to prevent unauthorized supply shut-off.

TECHNICAL DIMENSIONS:

	INLET	OUTLET	"A"	"B"	"C"	"D"	"E"
ET71-1-BVS-OTG	1/2" NPT	1/2" NPT	5-3/4" (146)	2-5/8" (67)	4" (102)	3" (76)	2" (50)
ET71-2-BVS-OTG	3/4" NPT	1" NPT	8-1/2" (216)	3 (78)	5-1/2" (141)	4-1/4" (107)	2" (50)
ET71-3-BVS-OTG	1" NPT	1-1/4" NPT	14" (356)	5-1/4" (132)	8-3/4" (222)	6-1/4" (160)	5-3/4" (145)
ET71-4-BVS-OTG	1-1/4" NPT	1-1/2" NPT	14" (356)	5-1/4" (132)	8-3/4" (222)	6-1/4" (160)	5-3/4" (145)



OPTIONAL CABINET:

STYLE

- SMC Surface Mounted Cabinet

FINISH

- PRC Prime Coat Finish (16 Gage Mild Steel)
- SSTL Stainless Steel (18 Gage Type 304)

DOOR OPTIONS

- DRS Solid Door
- DRV Door Viewport

Must Specify: Hinge Location: (N/A ET71-3 & ET71-4)

- L Left
- R Right

	PRESSURE DROP PSID (KPA)	CV	5 (34)	10 (69)	15 (103)	20 (138)	30 (207)	45 (310)	60 (414)
ET71-1-BVS-OTG 12 GPM (45 LPM)	FLOW RATE GPM (LPM)	1.8	4 (15.1)	5.66 (21.4)	6.9 (26.1)	8 (30.2)	9.8 (37.1)	12 (45.4)	13.9 (52.6)
	COLD WATER BYPASS ONLY								6.5 (24.5)
ET71-2-BVS-OTG 43 GPM (163 LPM)	FLOW RATE GPM (LPM)	6.4	14.3 (54.1)	20.3 (76.8)	24.8 (93.9)	28.7 (108.6)	35.1 (132.9)	43 (162.8)	49.7 (188)
	COLD WATER BYPASS ONLY								25 (94.6)
ET71-3-BVS-OTG 86 GPM (325.5 LPM)	FLOW RATE GPM (LPM)	12.8	28.7 (108.6)	40.5 (153.3)	49.7 (188.1)	57.3 (217)	70.2 (265.7)	86 (325.5)	99.3 (375.9)
	COLD WATER BYPASS ONLY								60 (227)
ET71-4-BVS-OTG 150 GPM (568 LPM)	FLOW RATE GPM (LPM)	22.4	50 (189.2)	70.7 (267.6)	86.6 (327.8)	100 (378.5)	110 (416.4)	150 (567.8)	173 (654.8)
	COLD WATER BYPASS ONLY								80 (302.8)

ET71-BVS-OTG Series Revised: 01/22/16

Page 2 of 3

Acorn Safety warrants that its products are free from defects in material or workmanship under normal use and service for a period of one year from date of shipment. Acorn's liability under this warranty shall be discharged solely by replacement or repair of defective material, provided Acorn is notified in writing within one year from date of shipment, F.O.B. City of Industry, California.

SELECTION SUMMARY & APPROVAL FOR MANUFACTURING

Model Number & Options _____ Quantity _____

Company _____

Contact _____ Title _____

Signature (Approval for Manufacturing)

Date _____



800-591-9372
or 626-855-4804
www.acorneng.com

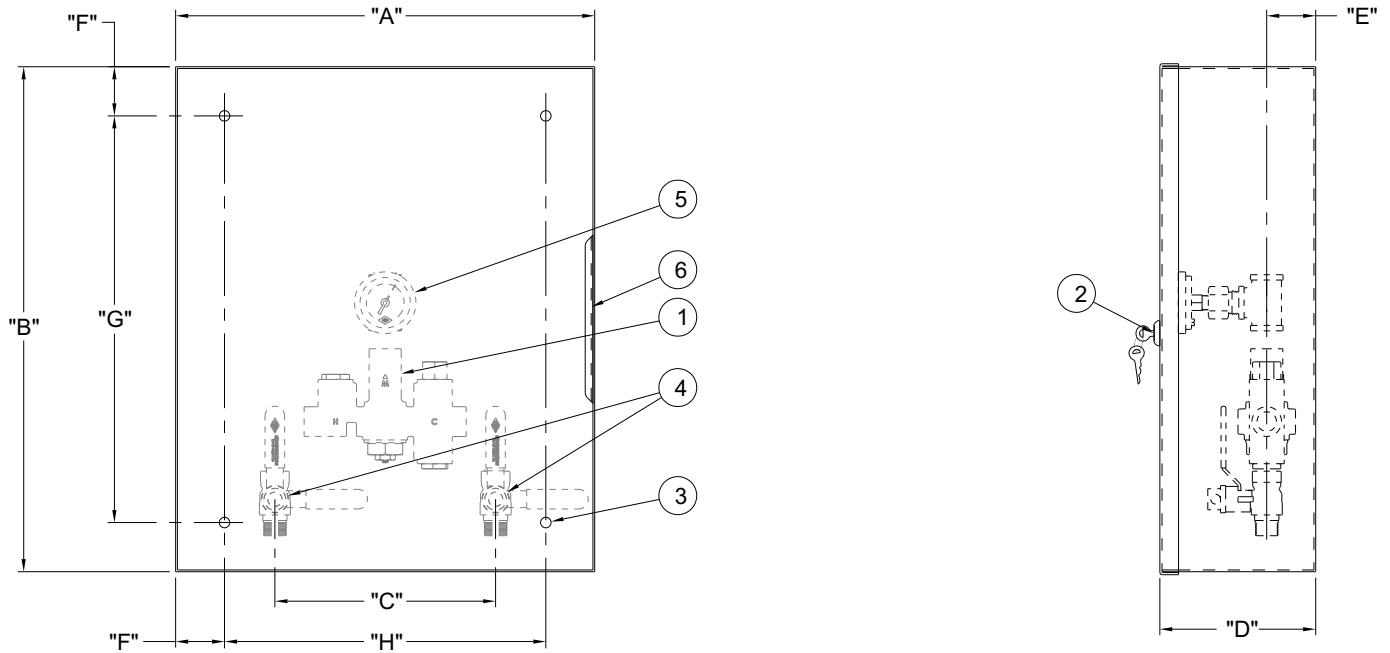
Model ET71-BVS-OTG Series Cabinet

Emergency Fixture Thermostatic Mixing Valve Cabinets



TECHNICAL DIMENSIONS:

NOTE:
 ITEMS ①, ④, AND ⑤ ARE SHOWN FOR REFERENCE ONLY.
 ALL PLUMBING CONNECTIONS ARE PROVIDED BY INSTALLER.



SHOWN LESS DOOR FOR CLARITY

- ① ET71 SERIES THERMOSTATIC MIXING VALVE
- ② CYLINDER LOCK WITH KEYS
- ③ Ø3/8" MOUNTING HOLES (4) PLACES
- ④ -BVS BALL VALVE SHUT-OFFS
- ⑤ -OTG OUTLET TEMPERATURE GAUGE
- ⑥ DOOR STOP

	INLET	OUTLET	"A"	"B"	"C"	"D"	"E"	"F"	"G"	"H"
ET71-1 -BVS -OTG	1/2" NCT	1/2" NCT	15" (381)	18" (457)	7-7/8" (200)	5-5/8" (143)	1-3/4" (45)	1-3/4" (45)	14-1/2" (368)	11-1/2" (292)
ET71-2 -BVS -OTG	3/4" NCT	1" NCT	21" (533)	22" (559)	11" (279)	6" (153)	2" (51)	1-3/4" (45)	18-1/2" (470)	17-1/2" (445)
ET71-3 -BVS -OTG	1" NCT	1-1/4" NCT	28-1/2" (724)	29-1/2" (749)	16-7/8" (429)	7-3/4" (197)	3-1/4" (83)	2-1/2" (64)	24-1/2" (622)	23-1/2" (597)
ET71-4 -BVS -OTG	1-1/4" NCT	1-1/2" NCT	30-1/2" (775)	33" (838)	17-3/4" (450)	7-3/4" (197)	3-1/4" (83)	2-1/2" (64)	28" (711)	25-1/2" (648)

Acorn Safety assumes no responsibility for use of void or superseded data. © Copyright Acorn Safety®, City of Industry, CA, Division of Acorn Engineering Company®, Member of Morris Group International™. Please visit www.acorneng.com for most current specifications.

Submittal # **ET71-BVS-OTG Series**
 Revised: 01/22/16 Page 3 of 3

Product carries the following certifications:



C ASSE 1071
 CSA B125.3



Division of
 Acorn Engineering Company®,
 Member of
 Morris Group International™

ACORN SAFETY

P.O. Box 3527
 City of Industry, CA
 91744 U.S.A.
 Phone 800-591-9372
 626-855-4804
www.acorneng.com