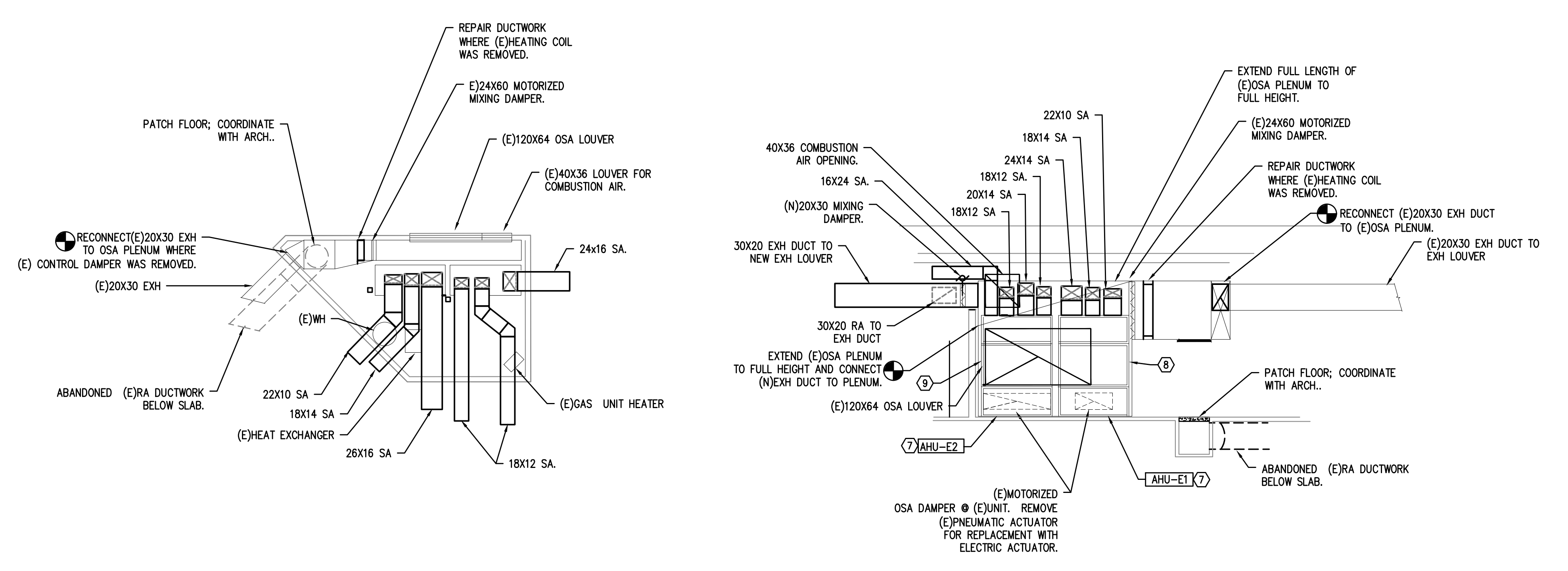




City Of Bend Approval Stamp:

- KEYED NOTES:**
- (E)18X18 RELIEF DUCT UP THRU ROOF TO NEW EXHAUST FAN ON ROOF.
 - BALANCE (E)GRILLE TO AIRFLOW SHOWN.
 - 16X4 RA IN WALL TO LOW RA GRILLE.
 - 12X4 RA IN WALL TO LOW RA GRILLE.
 - 18X12 RA IN CHASE TO LOW RA GRILLE.
 - 18X8 RA DN IN CHASE TO LOW RA GRILLE.
 - NEW EQUIPMENT TAG #.
 - REPLACE (E)3-HP SUPPLY FAN MOTOR WITH A NEW INVERTOR RATED MOTOR. PROVIDE A NEW FAN CONTROL. SEE XXXXX FOR CONTROLS.
 - REPLACE (E)5-HP SUPPLY FAN MOTOR WITH A NEW INVERTOR RATED MOTOR. PROVIDE A NEW FAN CONTROL. SEE XXXXX FOR CONTROLS.

1 MECHANICAL FLOOR PLAN - BUILDING E
 M2.02A SCALE: 1/8"=1'-0"



2 MECHANICAL ROOM DETAIL
 M2.02A SCALE: 1/8"=1'-0"

#	Date	Description
Revision Schedule		

PILOT BUTTE MIDDLE SCHOOL - BLDGS E&F
 Project Address

BLRB architects

Drawing Title:
MECHANICAL FLOOR PLAN - BUILDING E

Date:	11.11.2017	Drawn By:	INITIALS
Revised Date:		Project No.:	17.34B
Stamp:		Sheet No.:	

M2A Consulting Engineers
 2007 S.E. Ash St.
 Portland, OR 97214
 PHN: (503) 234-0648
 FAX: (503) 234-0677
 WWW.M2A-ENG.COM
 CONTACT: TAKAKO BAKER

M2.02A