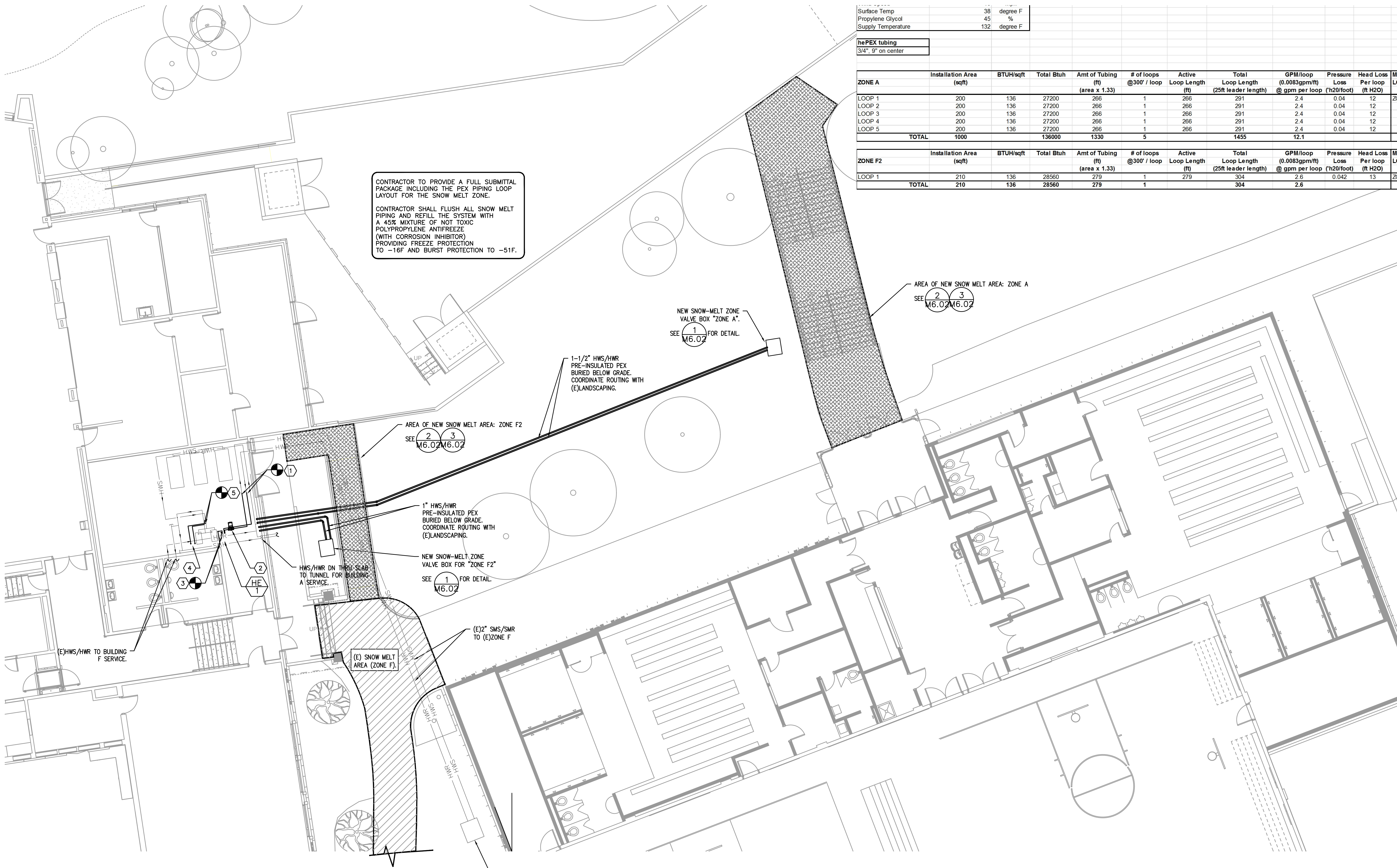


1 2 3 4 5 6

A
B
C
D
E
F
G
H
J
K



CONTRACTOR TO PROVIDE A FULL SUBMITTAL PACKAGE INCLUDING THE PEX PIPING LOOP LAYOUT FOR THE SNOW MELT ZONE.
 CONTRACTOR SHALL FLUSH ALL SNOW MELT PIPING AND REFILL THE SYSTEM WITH A 45% MIXTURE OF NOT TOXIC POLYPROPYLENE ANTIFREEZE (WITH CORROSION INHIBITORS) PROVIDING FREEZE PROTECTION TO -16F AND BURST PROTECTION TO -51F.

Surface Temp	38	degree F
Propylene Glycol	45	%
Supply Temperature	132	degree F

the PEX tubing
 3/4" 9" on center

ZONE A	Installation Area (sqft)	BTUH/sqft	Total Bluh	Amt of Tubing (ft) (area x 1.33)	# of loops @300' / loop	Active Loop Length (ft)	Total Loop Length (25ft leader length)	GPM/loop (0.0083gpm/ft) @ gpm per loop (ft20/foot)	Pressure Loss Per loop (ft H2O)	Head Loss Per loop (ft H2O)	MANIFOLD LOCATION
LOOP 1	200	136	27200	266	1	266	291	2.4	0.04	12	ZONE A
LOOP 2	200	136	27200	266	1	266	291	2.4	0.04	12	
LOOP 3	200	136	27200	266	1	266	291	2.4	0.04	12	
LOOP 4	200	136	27200	266	1	266	291	2.4	0.04	12	
LOOP 5	200	136	27200	266	1	266	291	2.4	0.04	12	
TOTAL	1000	136	136000	1330	5	1455	1455	12.1			

ZONE F2	Installation Area (sqft)	BTUH/sqft	Total Bluh	Amt of Tubing (ft) (area x 1.33)	# of loops @300' / loop	Active Loop Length (ft)	Total Loop Length (25ft leader length)	GPM/loop (0.0083gpm/ft) @ gpm per loop (ft20/foot)	Pressure Loss Per loop (ft H2O)	Head Loss Per loop (ft H2O)	MANIFOLD LOCATION
LOOP 1	210	136	28560	279	1	279	304	2.6	0.042	13	ZONE F2
TOTAL	210	136	28560	279	1	279	304	2.6			

- KEYED NOTES:
- CONNECT (N)2-1/2\" HWS/HWR (GLYCOL) TO (E)2\" HWS/HWR (GLYCOL) MAINS.
 - (E)SMP-1 WITH NEW 7.6\" IMPELLARS.
 - CONNECT (N)2\" HWS/HWR TO (E) MAINS.
 - RELOCATED CHEM FEEDER FOR (E)BOILER SYSTEM. SEE 6/AB.03 FOR DETAIL.
 - CONNECT (N)3/4\" HWS/HWR TO (E) MAINS AND ROUTE TO RELOCATED CHEM FEEDER.

City Of Bend Approval Stamp:

#	Date	Description
Revision Schedule		

65% PROGRESS SET

PILOT BUTTE MIDDLE SCHOOL - BLDGS E&F
 1501 NE Neff Road,
 Bend OR 97701

BLRB architects

Drawing Title:
MECHANICAL SNOWMELT SYSTEM

Date: 11.11.2017 Drawn By: INITIALS

Revised Date: Project No. 17.34B

Stamp Sheet No.

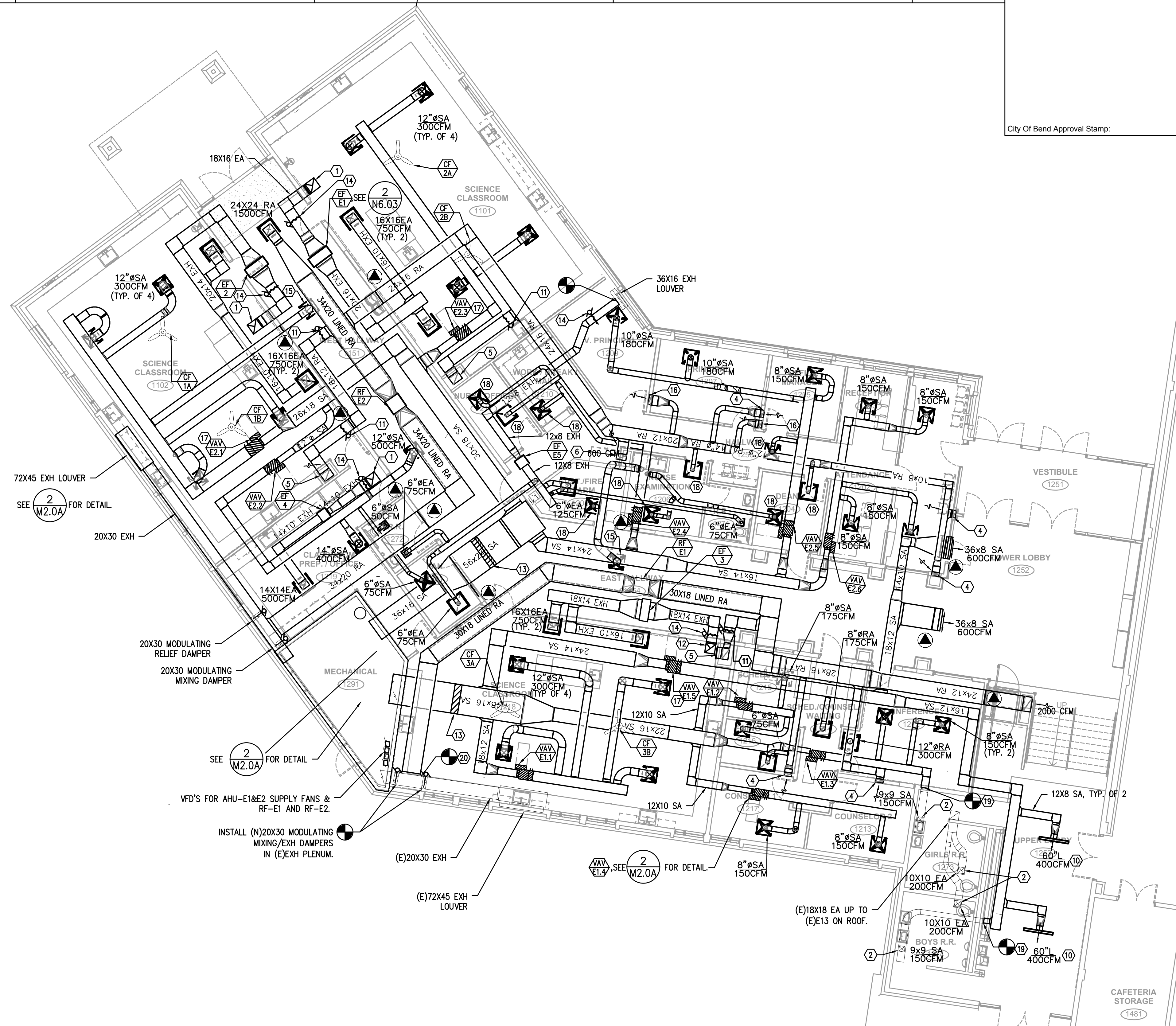
META Consulting Engineers
 2007 S.E. Ash St.
 Portland, OR 97214
 PHN: (503) 234-0548
 FAX: (503) 234-0677
 WWW.META-ENG.COM
 CONTACT: TAKAKO BAKER

1 SNOW-MELT/BUILDING A-VESTIBULE
 M2.01 SCALE: 1/8"=1'-0"

M2.01

- KEYED NOTES:**
- 18X16 EXHAUST UP THRU (E)PENETRATION AND CONNECT TO (E)RELIEF HEAD ON ROOF.
 - BALANCE (E)GRILLE TO AIRFLOW SHOWN.
 - 16x4 RA IN WALL TO LOW RA GRILLE @ 6" A.F.F. BALANCE GRILLE TO 150 CFM.
 - 18X12 RA IN CHASE TO 18X48 LOW RA GRILLE, 1200 CFM. INSTALL @ 6" A.F.F.
 - 16X8 RA DN IN CHASE TO 16X16 LOW RA GRILLE @ 6" A.F.F. BALANCE TO 500CFM.
 - REPLACE (E)3-HP SUPPLY FAN MOTOR WITH A NEW INVERTER RATED MOTOR. PROVIDE A NEW FAN CONTROL.
 - REPLACE (E)5-HP SUPPLY FAN MOTOR WITH A NEW INVERTER RATED MOTOR. PROVIDE A NEW FAN CONTROL.
 - LINEAR SLOT DIFFUSER. (4)" SLOT WITH 10" INLET PRICE SDB SERIES OR APPROVED EQUAL.
 - 2-POSITION CONTROL DAMPER TO CLOSE UPON ACTIVATION OF EXHAUST FAN IN RESPECTIVE SCIENCE CLASSROOM.
 - 18X18 EXH DUCT UP THRU ROOF TO NEW RELIEF HEAD ON ROOF. SEE 9/M6.02 FOR DETAIL.
 - PROVIDE SLEEVE FOR FUTURE COOLING COIL PRIOR TO THE COIL.
 - 2-POSITION CONTROL DAMPER TO OPERATE WITH ASSOCIATED EXH FAN.
 - 12" #5A 500CFM
 - 12X4 RA DN IN WALL TO 12X6 LOW RA GRILLE @ 6" A.F.F. BALANCE GRILLE TO 180 CFM.
 - VAV DAMPER TO OPEN TO 100% COOLING AIRFLOW UPON ACTIVATION OF RESPECTIVE EXHAUST FAN IN SCIENCE CLASSROOM.
 - 6" #5A 100CFM
 - CONNECT TO (E)DUCTWORK.
 - CONNECT (N)RA DUCT TO (E)EXH PLENUM.

- GENERAL NOTES:**
- WHERE THE PENETRATION AT THE CORRIDOR WALL IS A THROUGH-PENETRATION, INSTALL MINIMUM OF 26 GA SHEETMETAL AND PROTECT OPENINGS PER UL1479, SEE DETAIL ON SHEET M6.03.
 - SEE M2.02B FOR T-STAT, CO2 SENSORS, AND LOCATION OF WALL SWITCHES FOR EXHAUST FAN CONTROL.



1 MECHANICAL FLOOR PLAN - BUILDING E
 SCALE: 1/8" = 1'-0"

#	Date	Description

65% PROGRESS SET

PILOT BUTTE MIDDLE SCHOOL - BLDGS E&F
 1501 NE Neff Road,
 Bend OR 97701

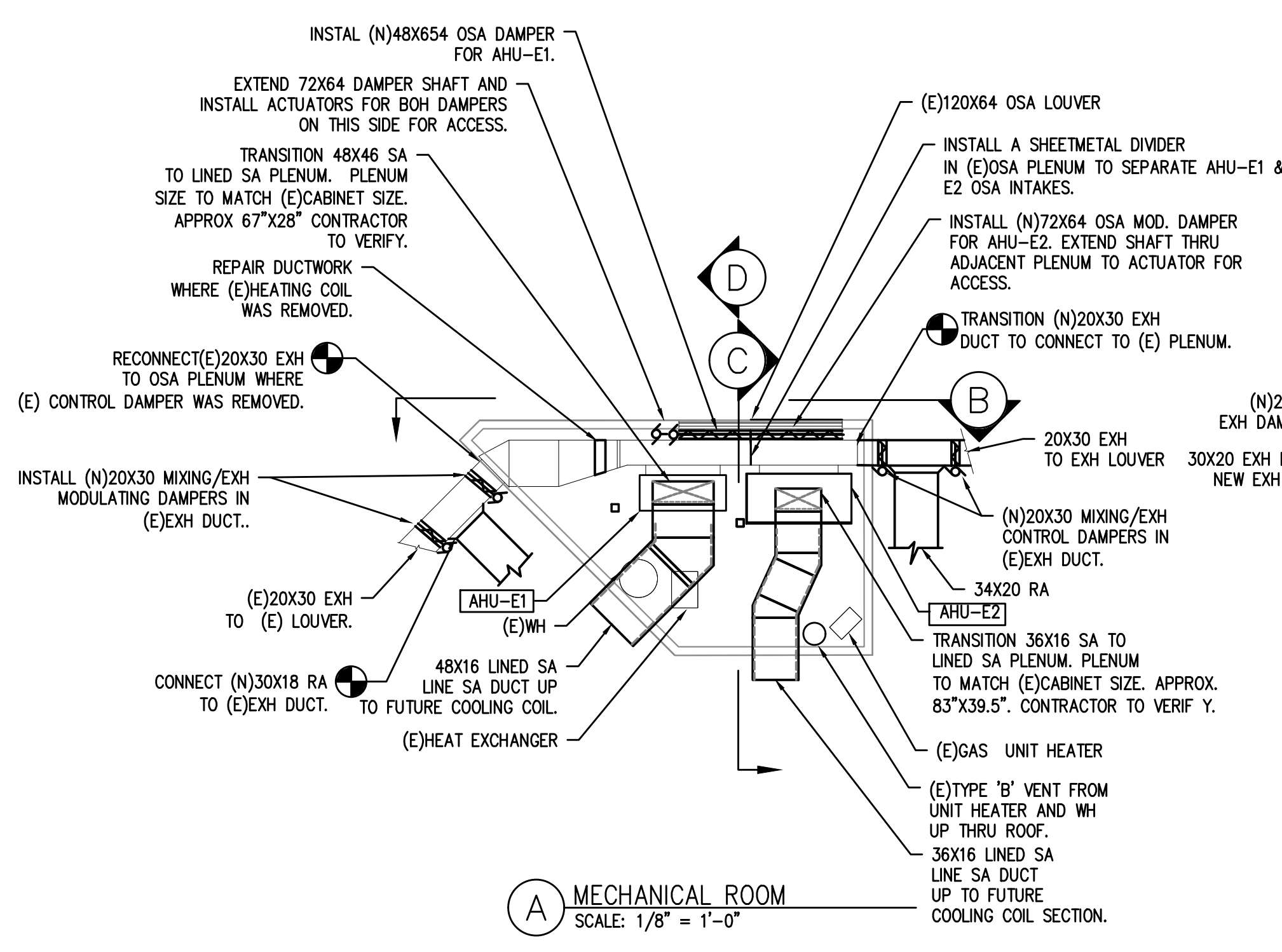
BLRB architects

Drawing Title:
MECHANICAL FLOOR PLAN - BUILDING E

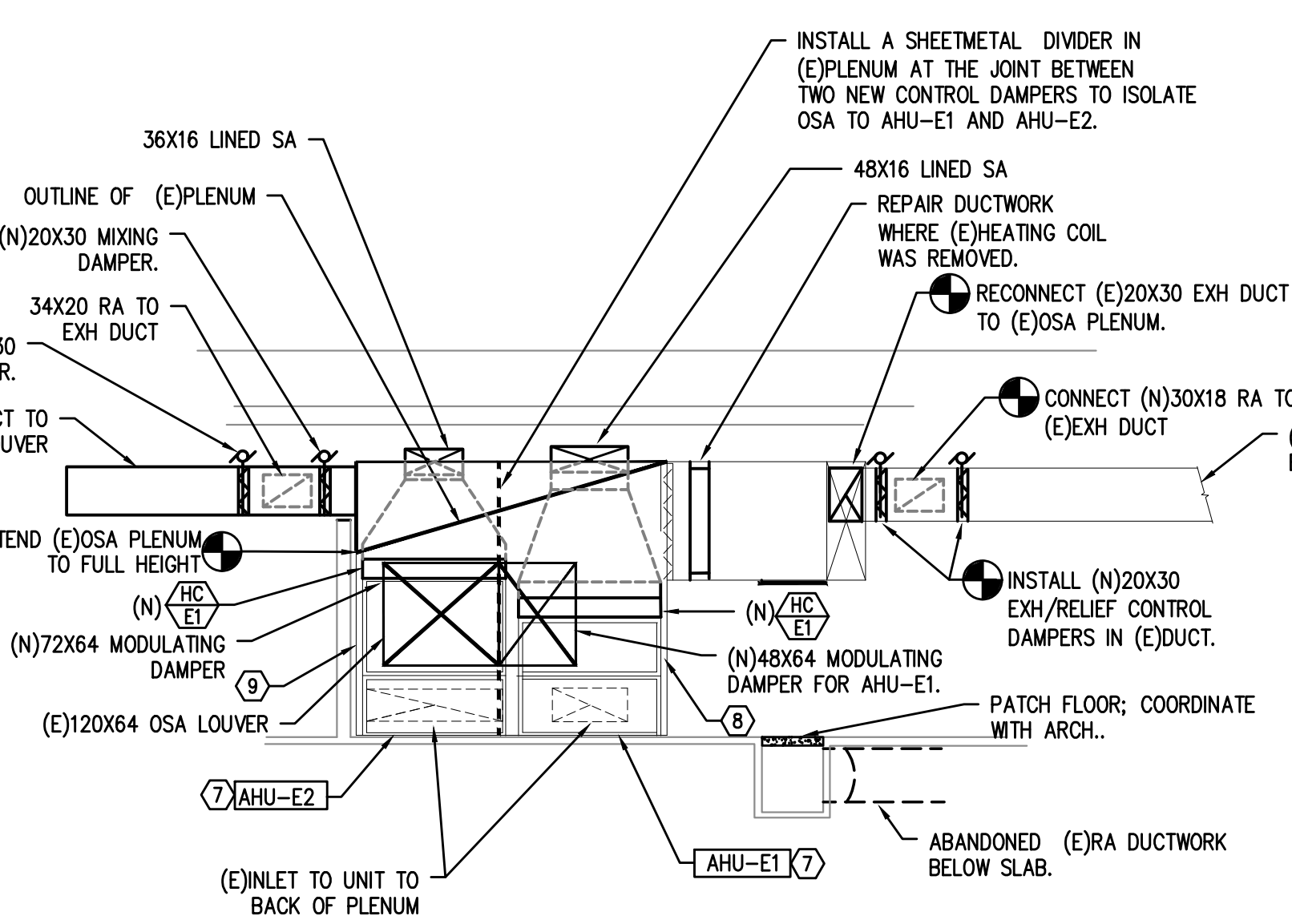
Date:	11.11.2017	Drawn By:	INITIALS
Revised Date:		Project No.:	17.34B
Stamp:		Sheet No.:	

M2A Consulting Engineers
 2007 S.E. Ash St.
 Portland, OR 97214
 PHN: (503) 234-0648
 FAX: (503) 234-0677
 WWW.M2A-ENG.COM
 CONTACT: TAKAKO BAKER

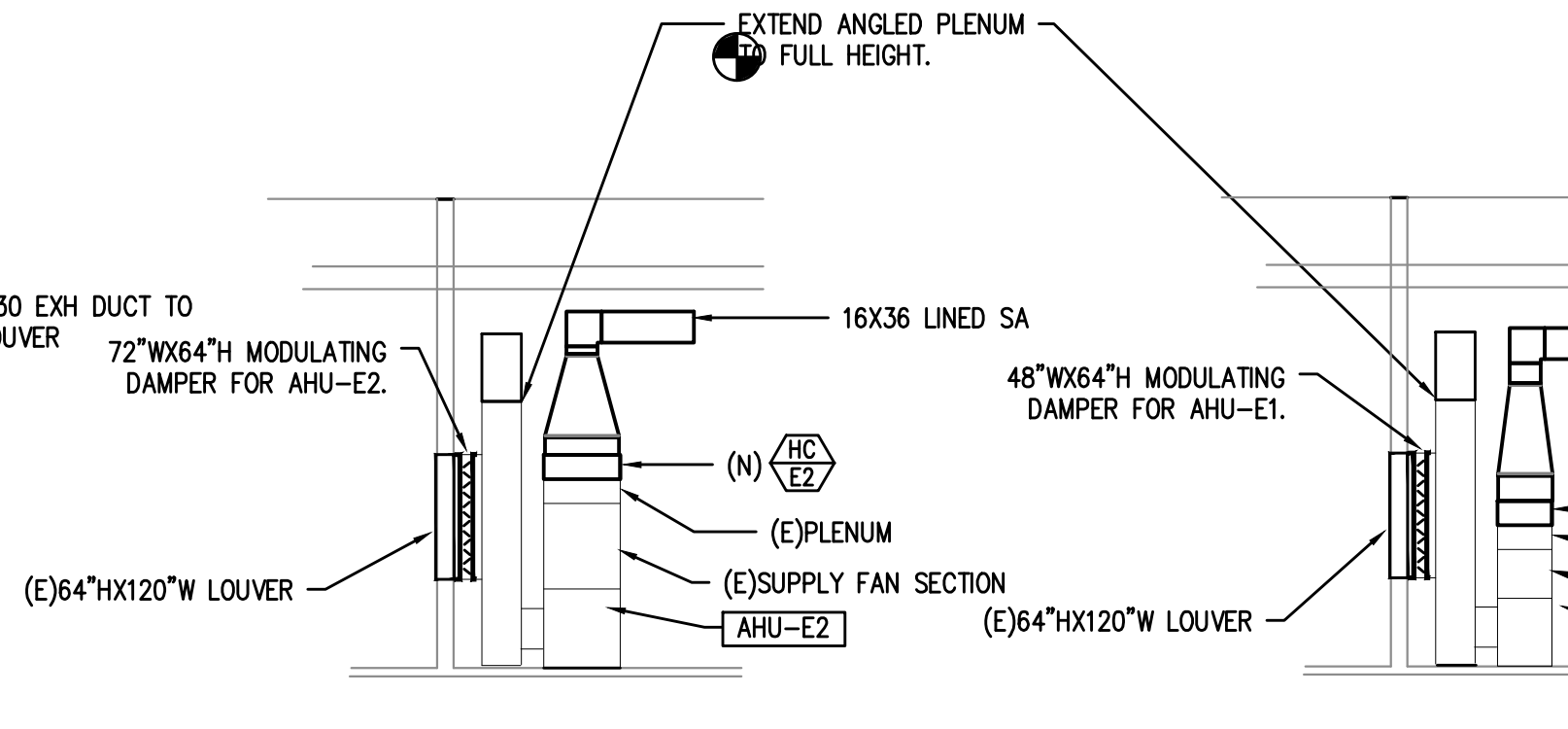
M2.02A



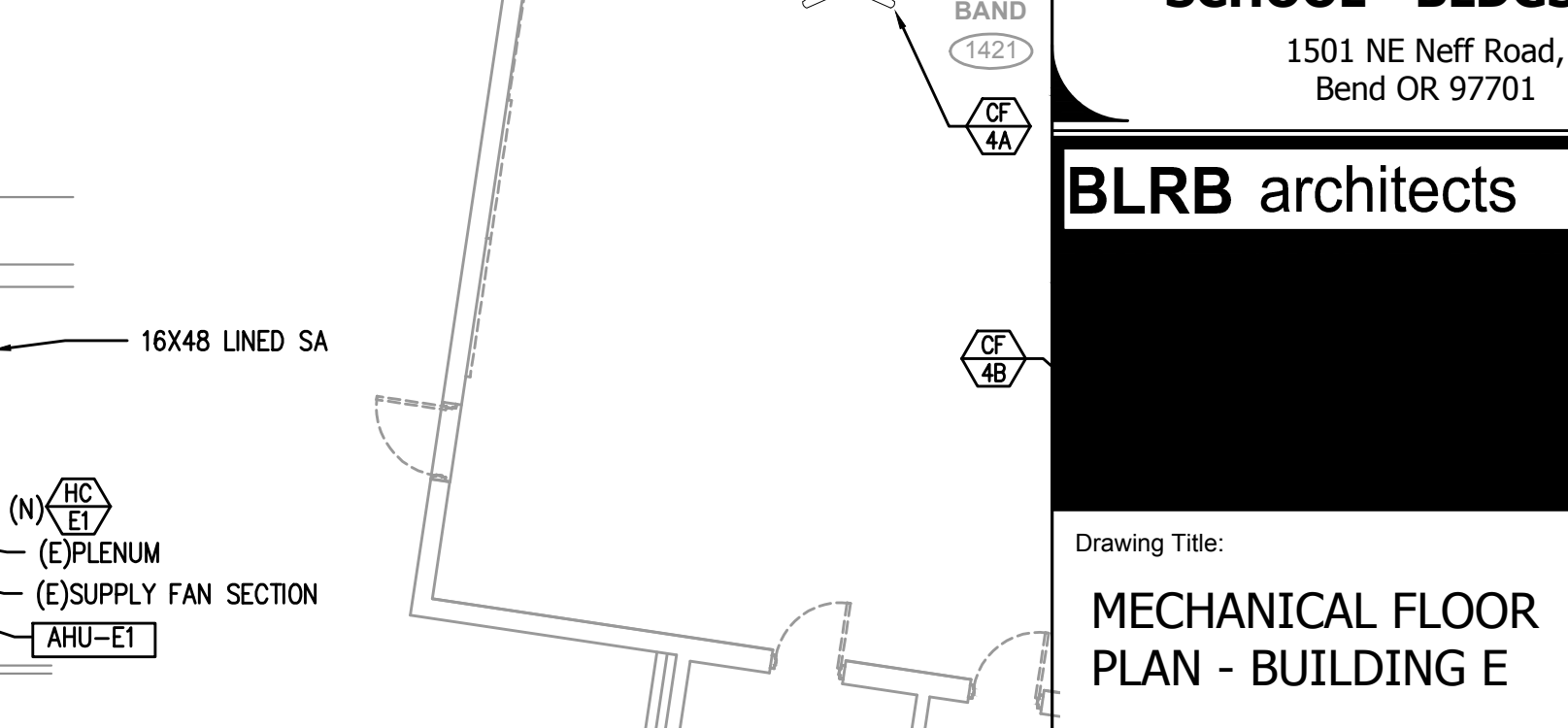
A MECHANICAL ROOM
 SCALE: 1/8" = 1'-0"



B SECTION B
 SCALE: 1/8" = 1'-0"

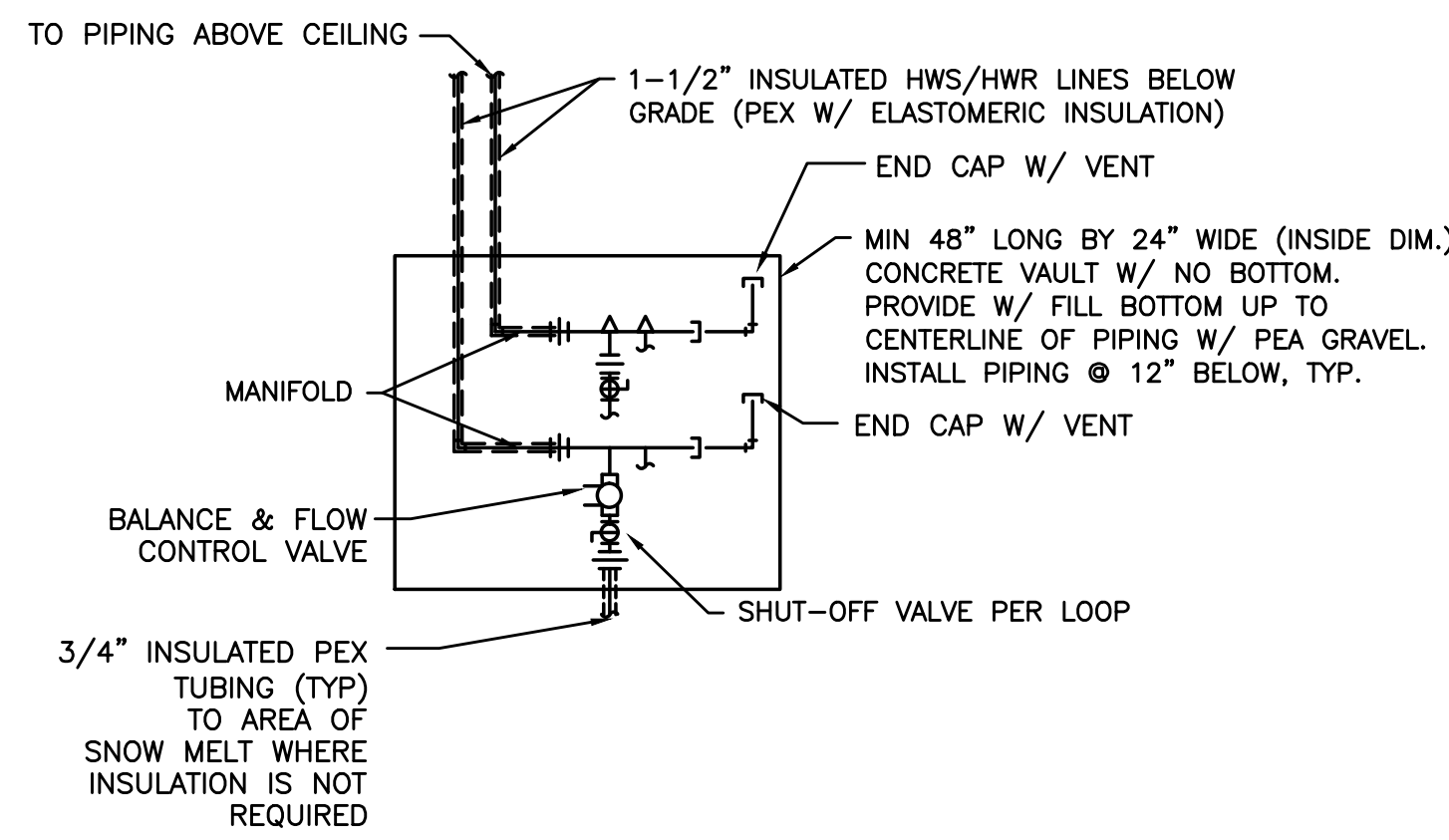


C SECTION AHU-E2
 SCALE: 1/8" = 1'-0"

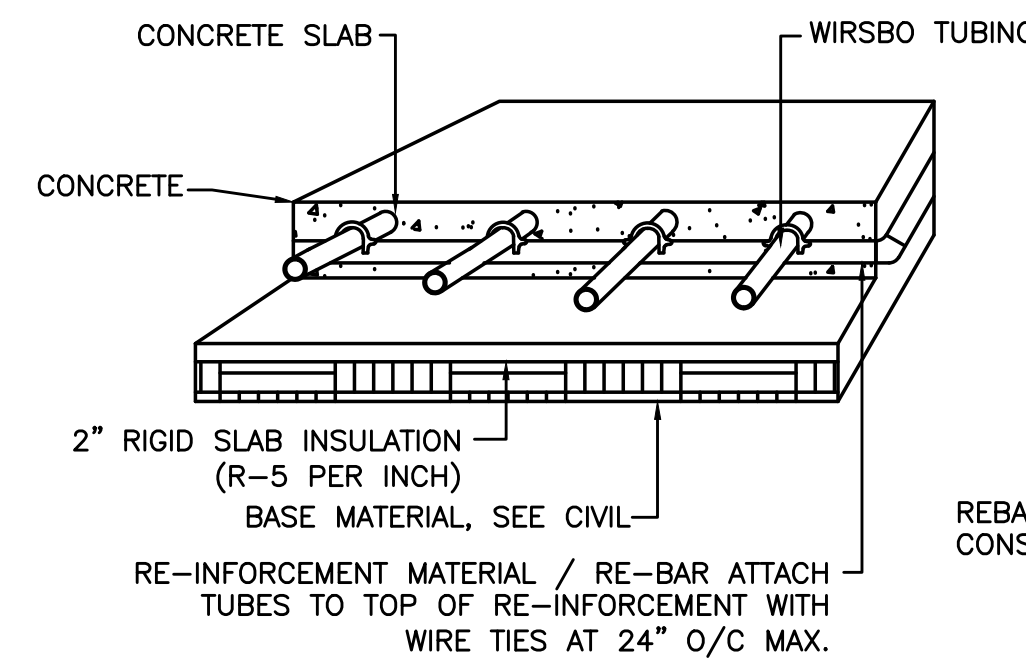


D SECTION AHU-E1
 SCALE: 1/8" = 1'-0"

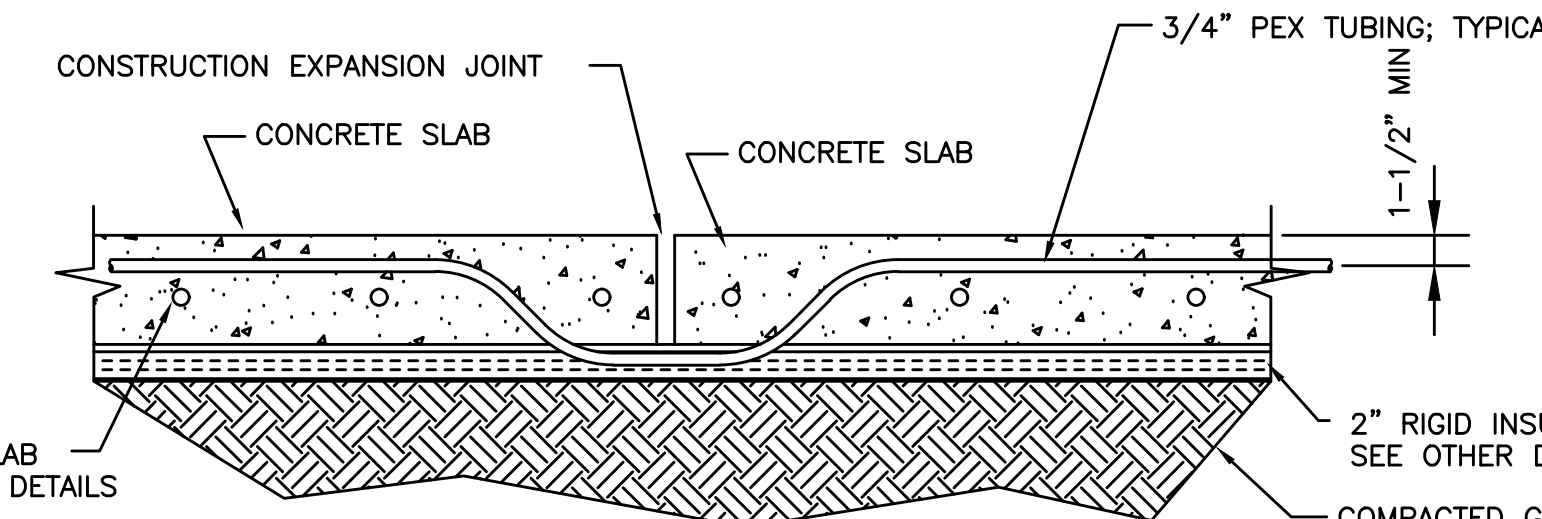
2 MECHANICAL ROOM DETAIL
 SCALE: 1/8" = 1'-0"



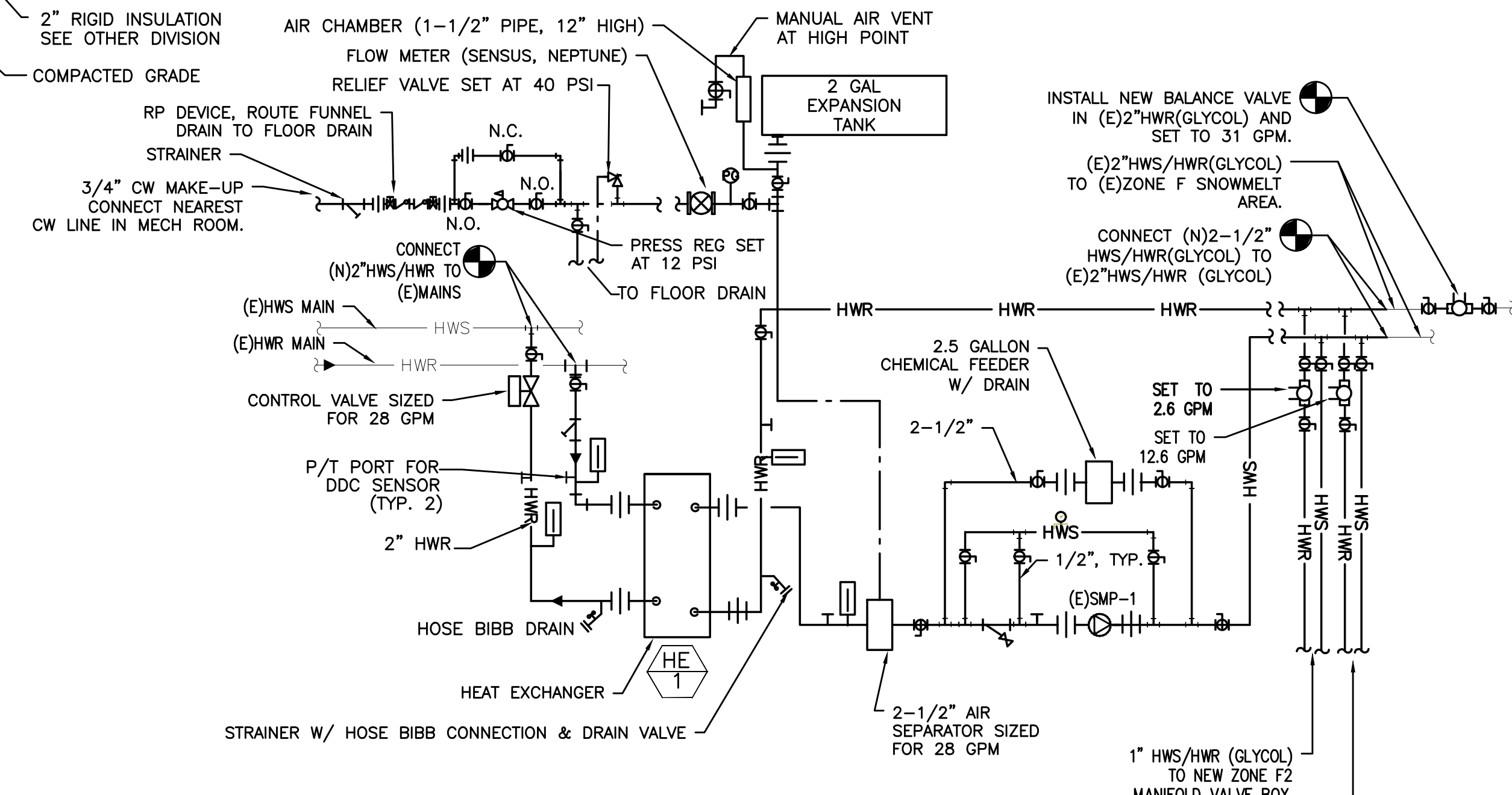
1 SNOW MELT MANIFOLD
SCALE: DETAIL



2 SNOW MELT UNDERSLAB PIPING DETAIL
SCALE: DETAIL

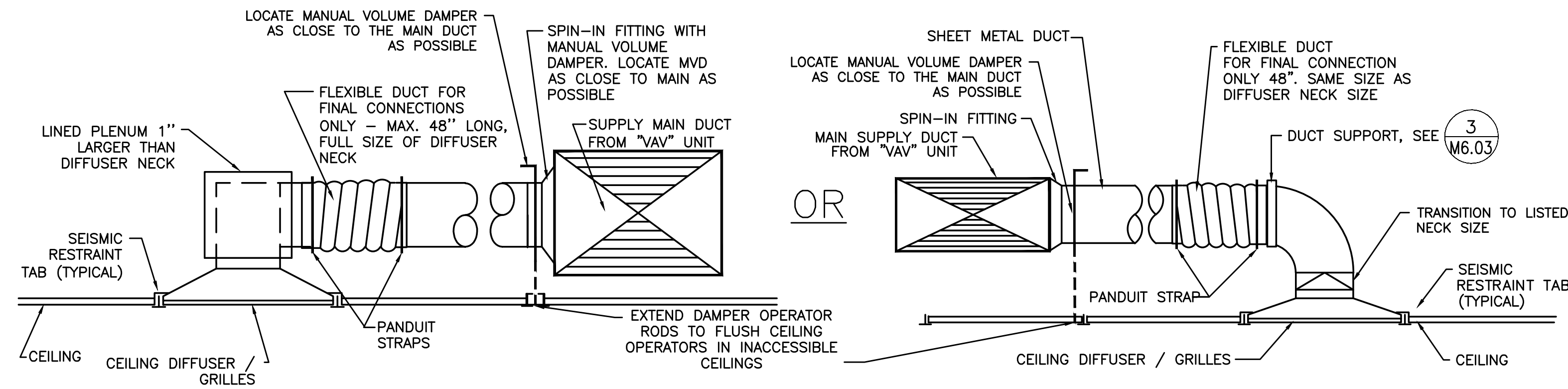


3 SNOW MELT @ EXPANSION JOINT
SCALE: DETAIL

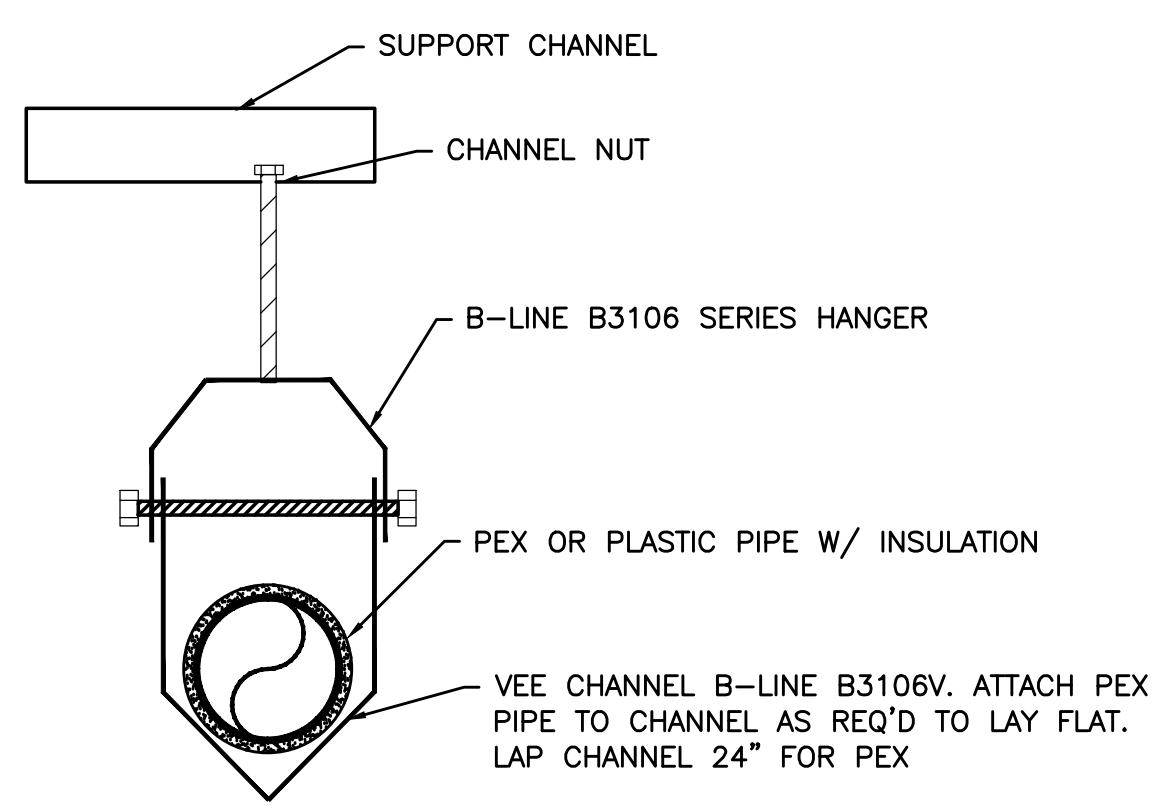


NOTES:
1. TREAT SYSTEM TO 45% PROPYLENE GLYCOL PRE-MIXED IN A BARREL & THEN FILL SYSTEM
2. (E)STARTER FOR SMP-1 TO BE RELOCATED TO OPPOSITE SIDE OF RACK TO MAKE ROOM FOR NEW PIPING ARRANGEMENT & TO MAINTAIN REQ'D CLEARANCE IN FRONT OF THE STARTER. SEE ELECTRICAL.
3. RELOCATE (E)CHEM FEEDER FOR BOILERS TO NEW LOCATION. SEE MD/M2.01.

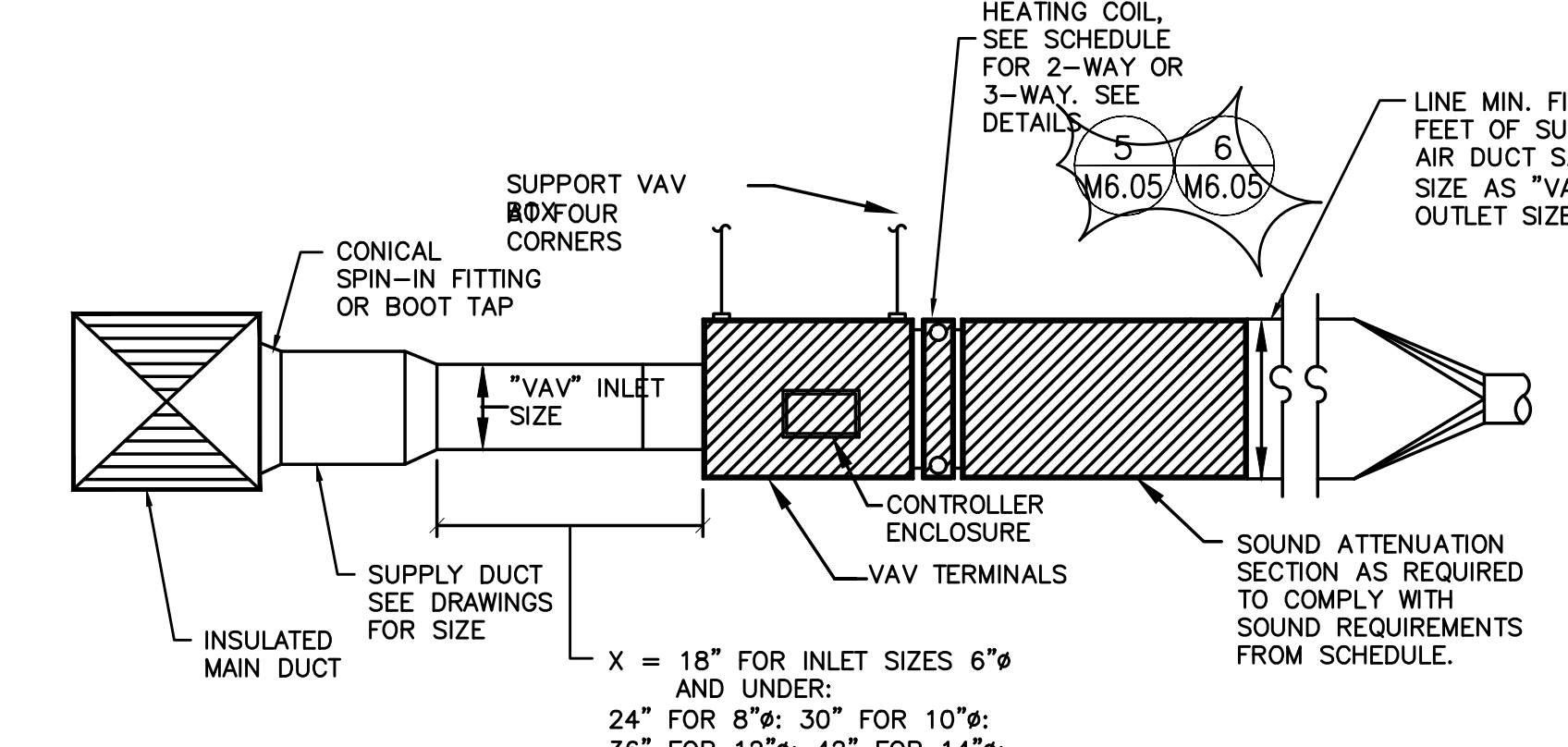
4 HEAT EXCHANGER PIPING DIAGRAM FOR SNOWMELT SYSTEM
SCALE: NTS



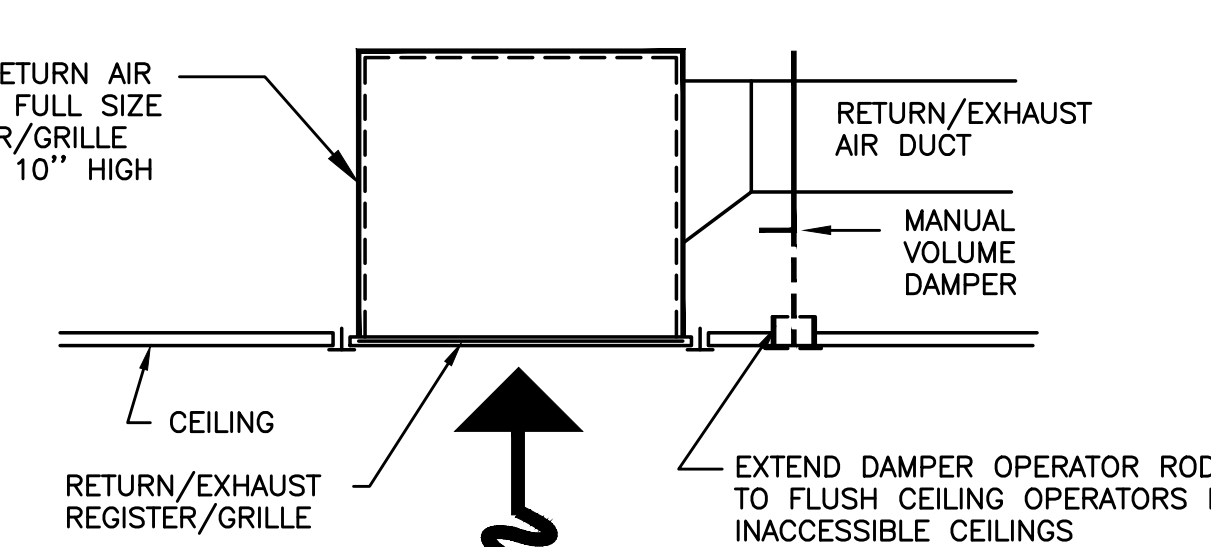
5 SUPPLY AIR DIFFUSER/GRILLE
SCALE: DETAIL



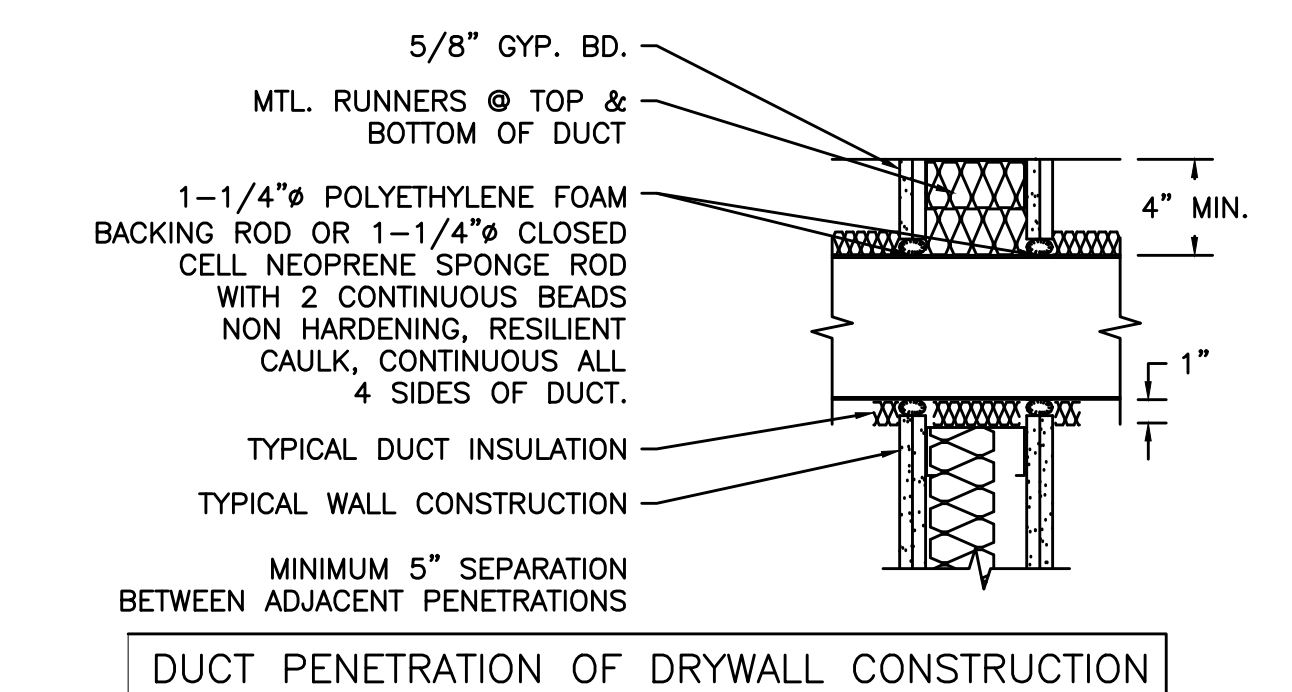
6 PEX SUPPORT DETAIL
SCALE: DETAIL



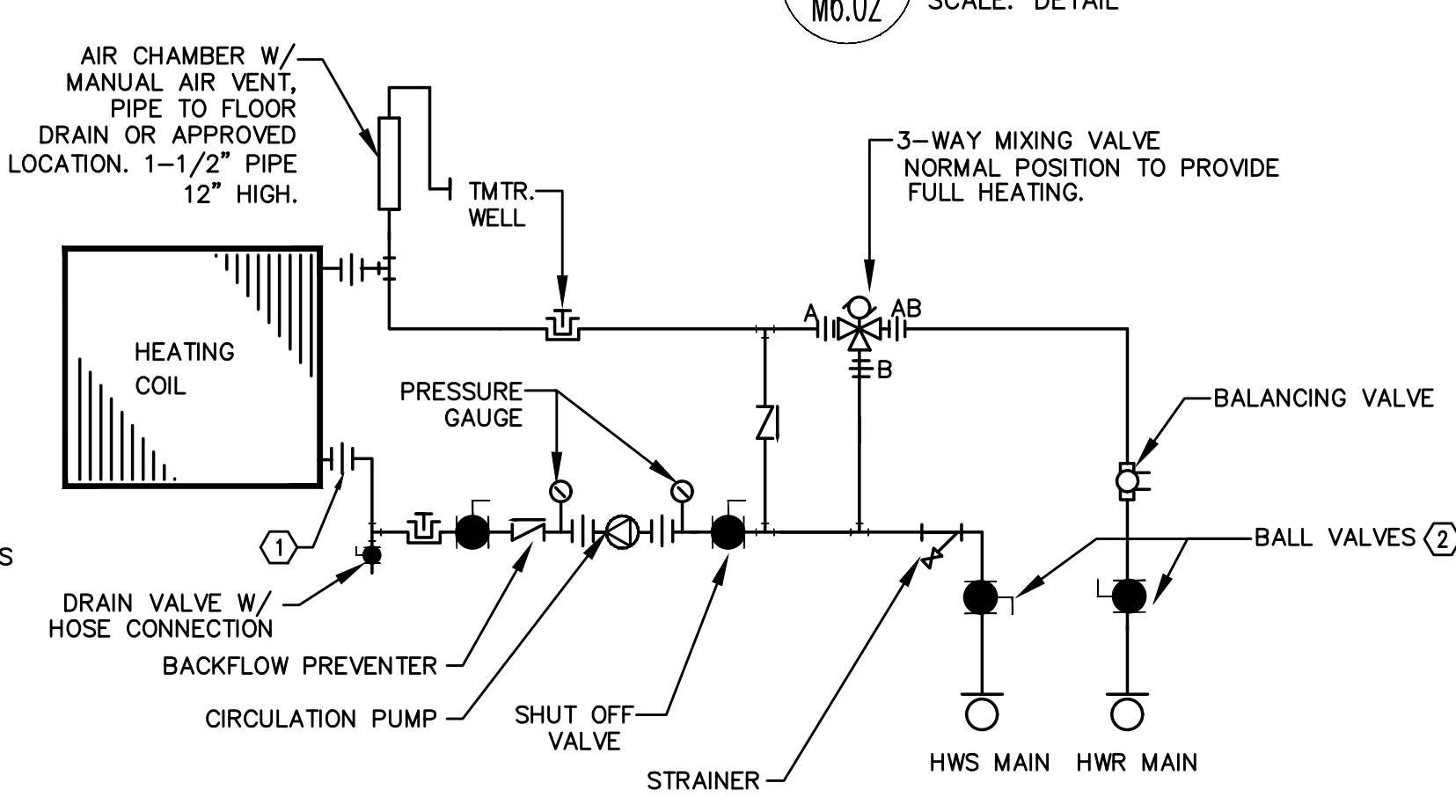
7 TYPICAL VAV BOX DETAIL
SCALE: NTS



8 RETURN AIR DIFFUSER/GRILLE
SCALE: DETAIL

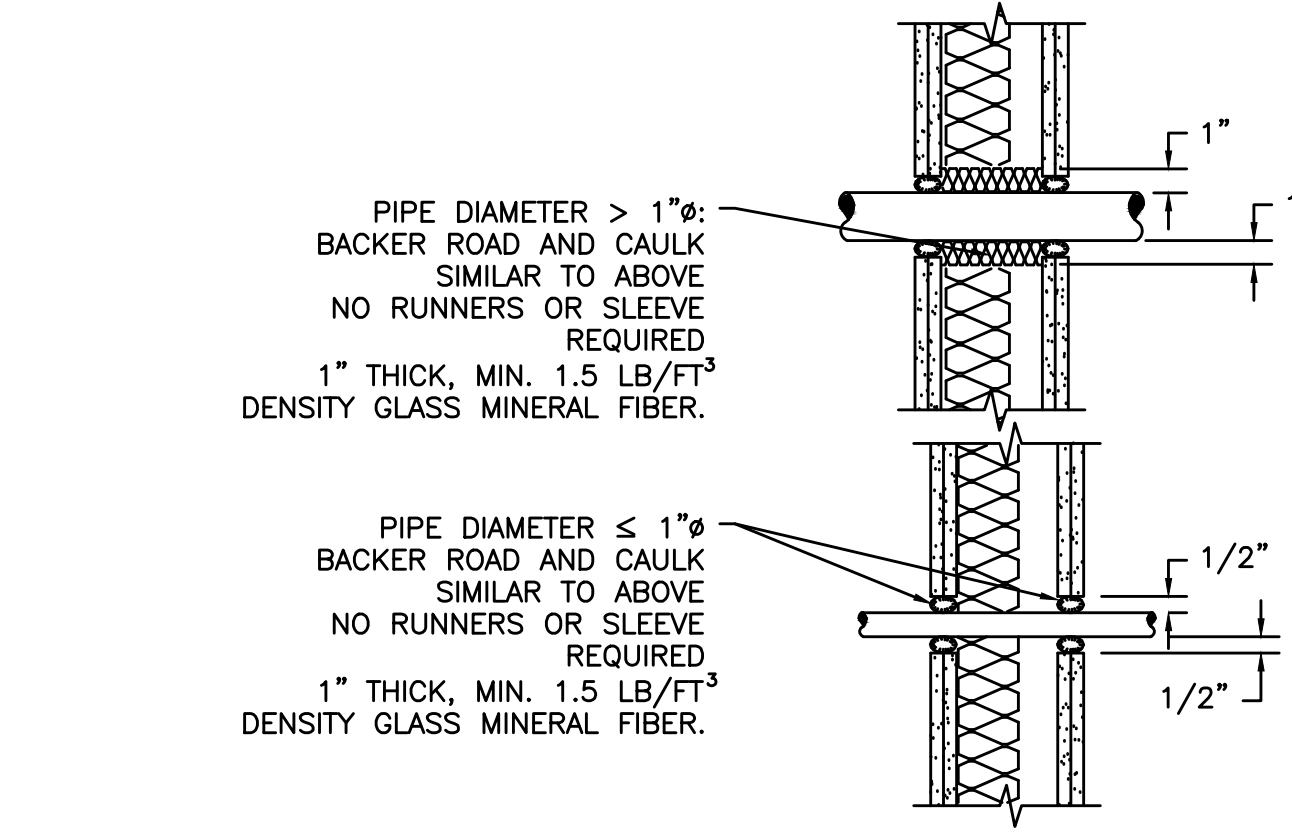


9 RELIEF HEAD
SCALE: DETAIL



KEYED NOTES:
1 - PROVIDE BUTTERFLY VALVES FOR PIPING 2-1/2" AND LARGER, AND BALL VALVES FOR PIPING 2" AND SMALLER
2 - PROVIDE DIELECTRIC UNION BETWEEN DISSIMILAR PIPING MATERIALS.

10 PREAHEAT COIL - THREE WAY NON-FREEZE
SCALE: NTS



PIPE/CONDUIT PENETRATION DRYWALL CONSTRUCTION TO BE APPLIED TO WALLS WITH STC ≥ 49
SEE ARCHITECTURAL DRAWINGS FOR ACOUSTICALLY IMPORTANT WALLS (WALL TYPES). SEAL PENETRATIONS IN THOSE WALLS PER THESE DETAILS

11 ACCOUSTICAL DUCT PENETRATION
SCALE: DETAIL

#	Date	Description
Revision Schedule		

65% PROGRESS SET

PILOT BUTTE MIDDLE SCHOOL - BLDGS E&F
1501 NE Neff Road, Bend OR 97701

BLRB architects

Drawing Title:

MECHANICAL DETAILS

Date: 11.11.2017 Drawn By: INITIALS

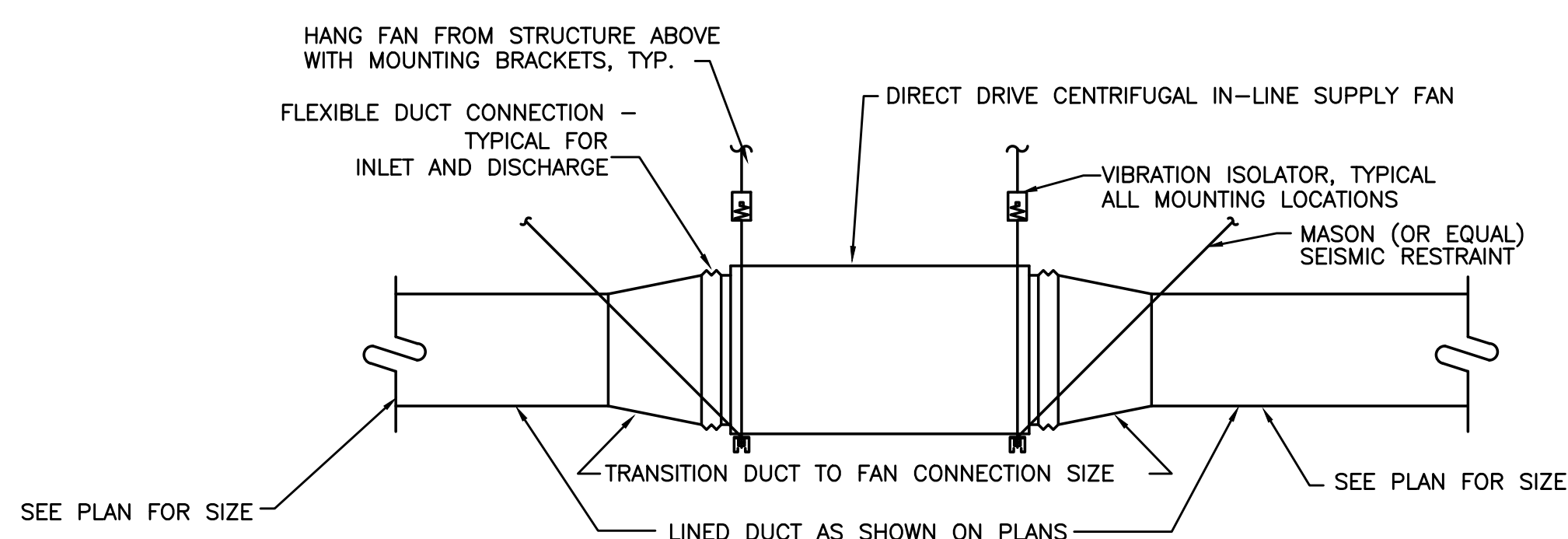
Revised Date: Project No. 17.34B

Stamp: Sheet No.

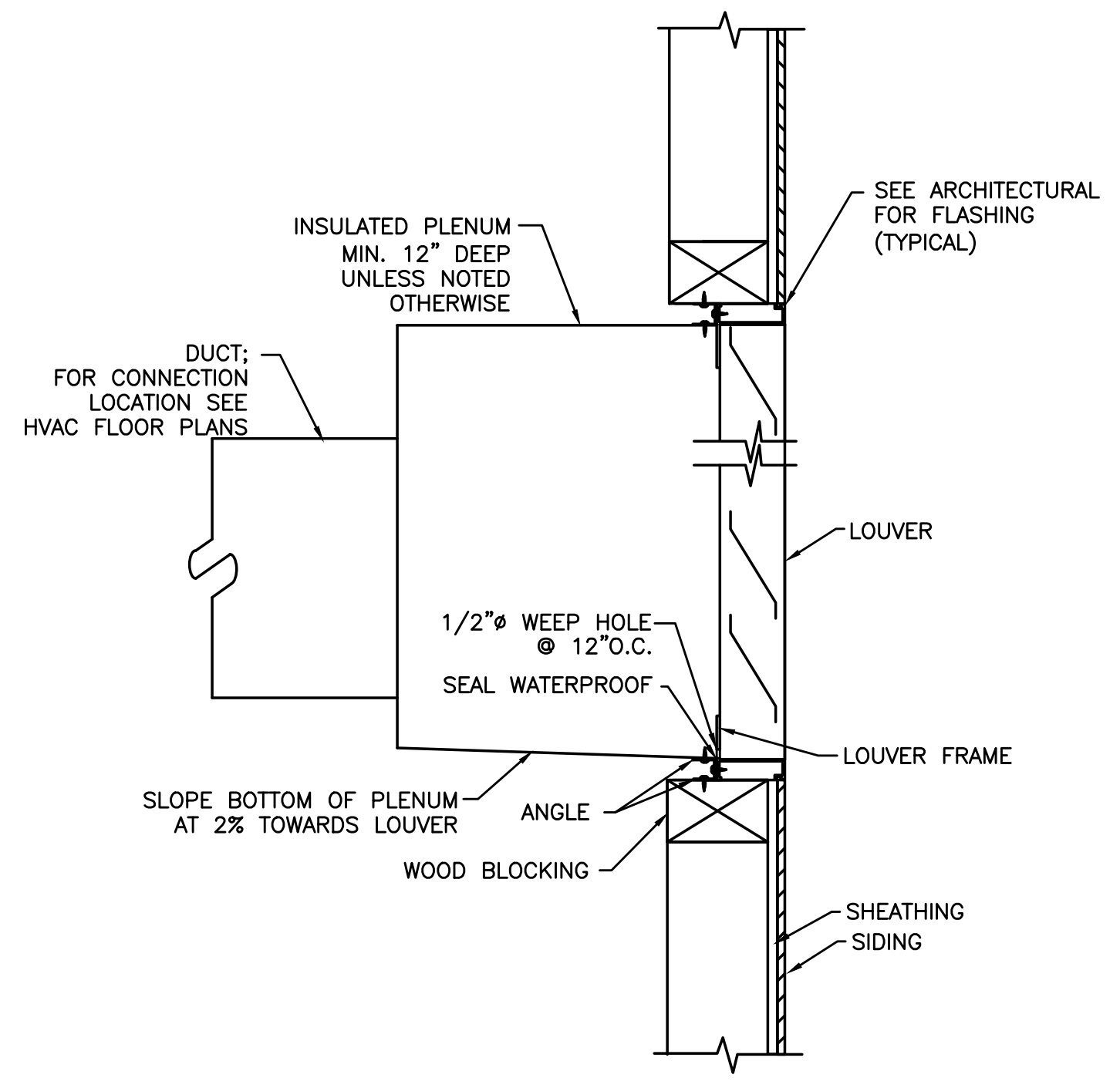
M6.02

A
B
C
D
E
F
G
H
J
K

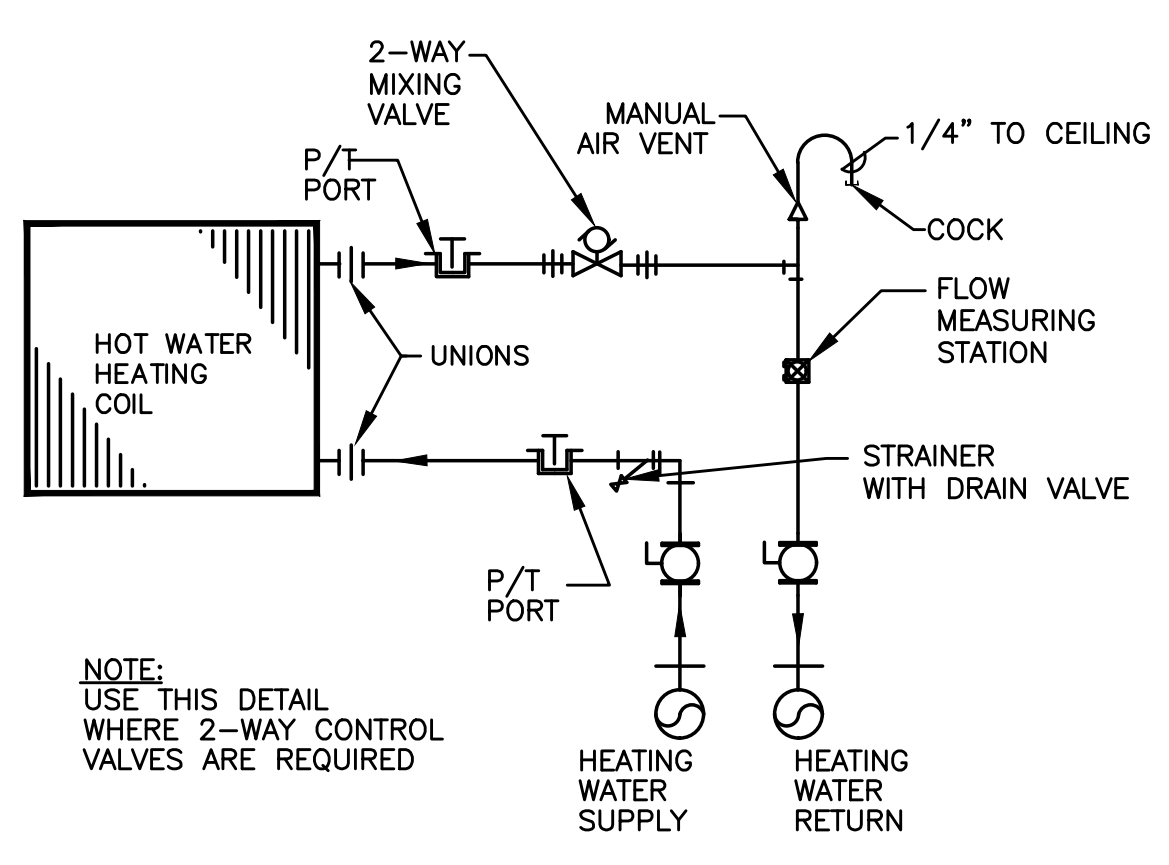
City Of Bend Approval Stamp:



2 INLINE EXH FAN/RA FAN
M6.03 SCALE: DETAIL

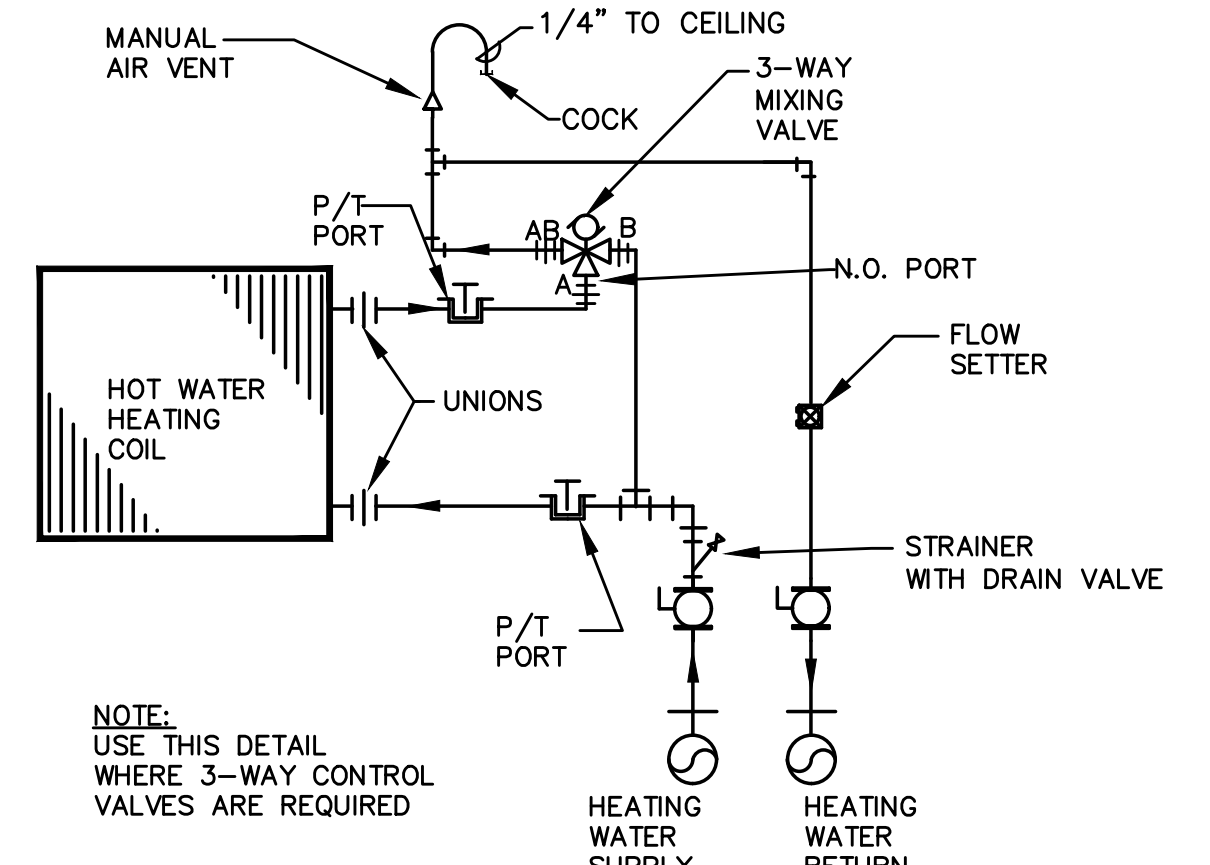


3 RELIEF LOUVER DETAIL
M6.03 NTS

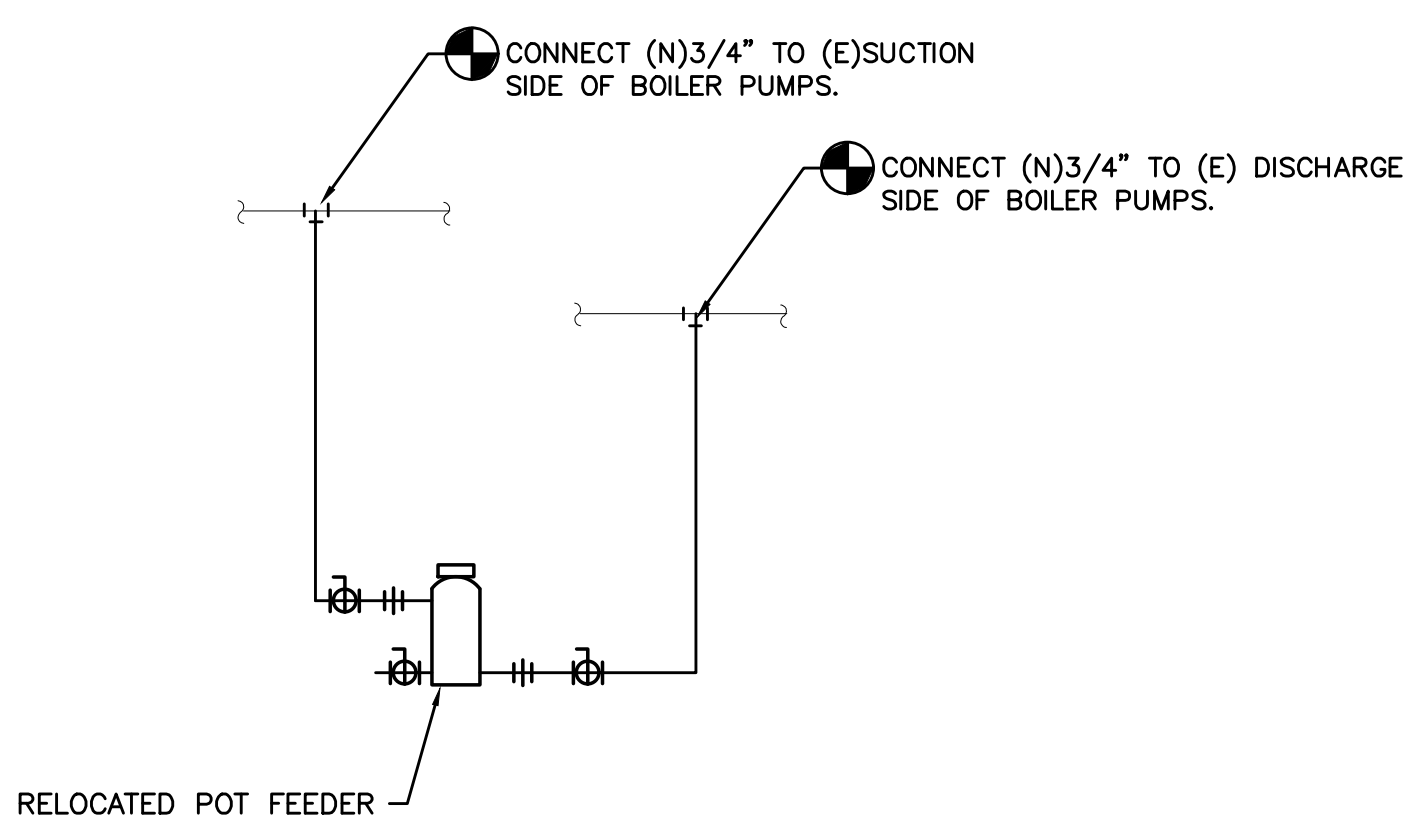


2-WAY CONTROL VALVE

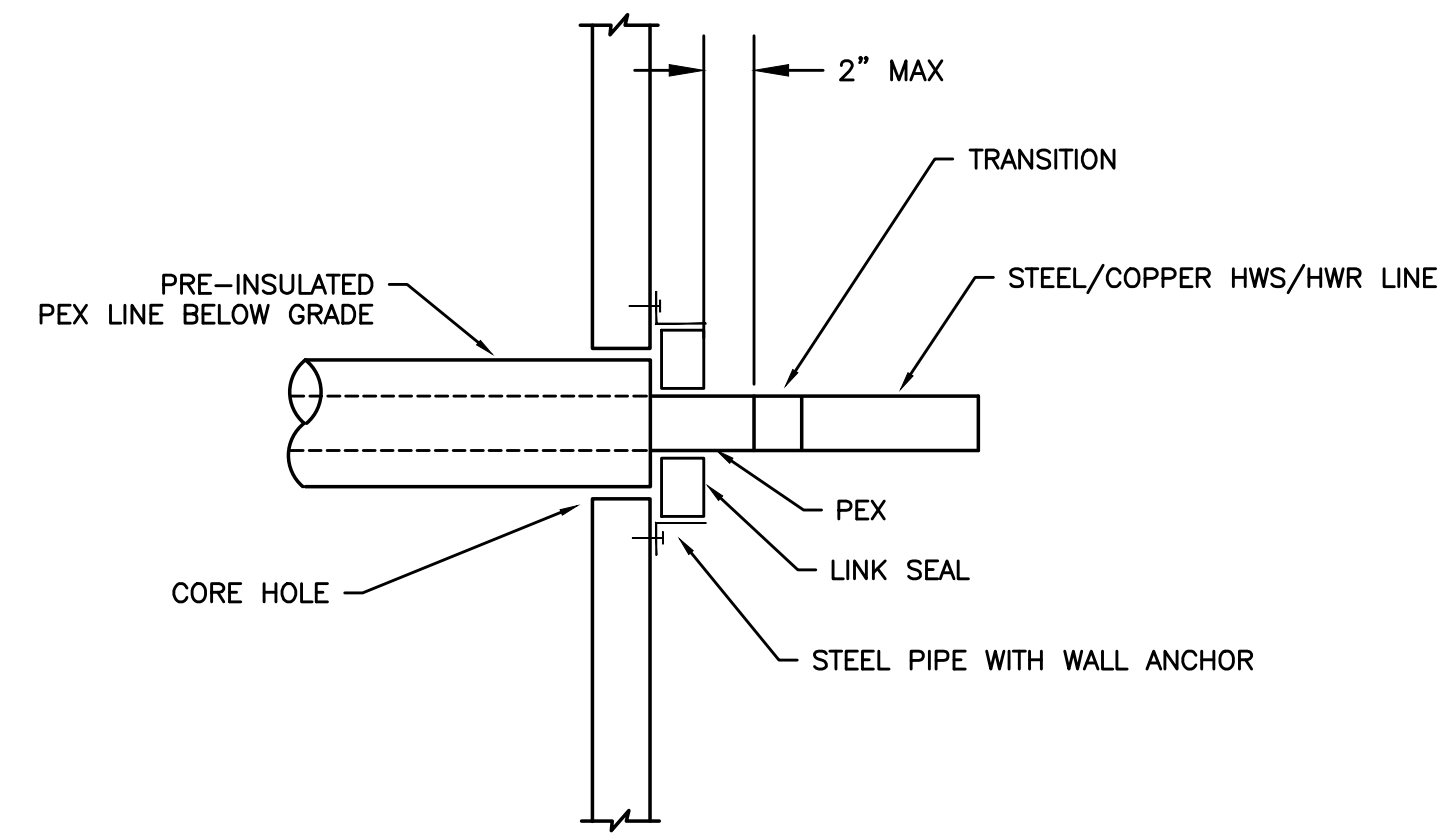
4 REHEATING COIL PIPING DIAGRAM
M6.03 NTS



END OF LOOP: 3-WAY MIXING VALVE



5 CHEMICAL POT FEEDER
M6.03 NTS



6 PIPE PENETRATION THRU STEM WALL
M6.03 NTS

#	Date	Description
Revision Schedule		

65% PROGRESS SET

PILOT BUTTE MIDDLE SCHOOL - BLDGS E&F
1501 NE Neff Road,
Bend OR 97701

BLRB architects

Drawing Title:
MECHANICAL DETAILS

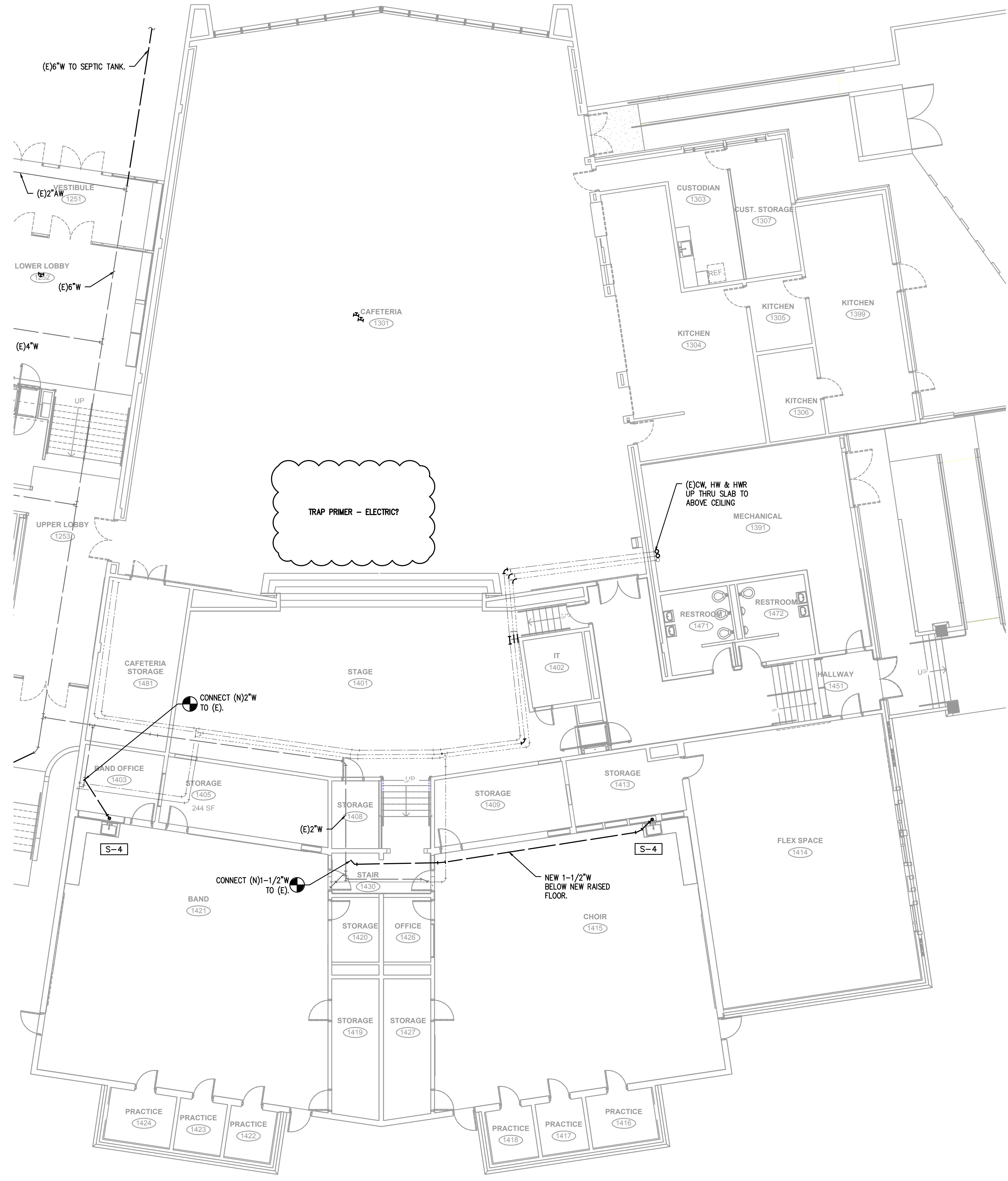
Date:	11.11.2017	Drawn By:	INITIALS
Revised Date:		Project No.	17.34B
Stamp		Sheet No.	

M6.03

1 2 3 4 5 6

A
B
C
D
E
F
G
H
J
K

City Of Bend Approval Stamp:



1 UNDERSLAB PLUMBING FLOOR PLAN – BUILDING F
 P1.02 SCALE: 1/8"=1'-0"

#	Date	Description
Revision Schedule		

65% PROGRESS SET

PILOT BUTTE MIDDLE SCHOOL - BLDGS E&F
 1501 NE Neff Road,
 Bend OR 97701

BLRB architects

Drawing Title:
UNDERSLAB PLUMBING FLOOR PLAN - BUILDING F

Date: 11.11.2017 Drawn By: INITIALS

Revised Date: Project No. 17.34B

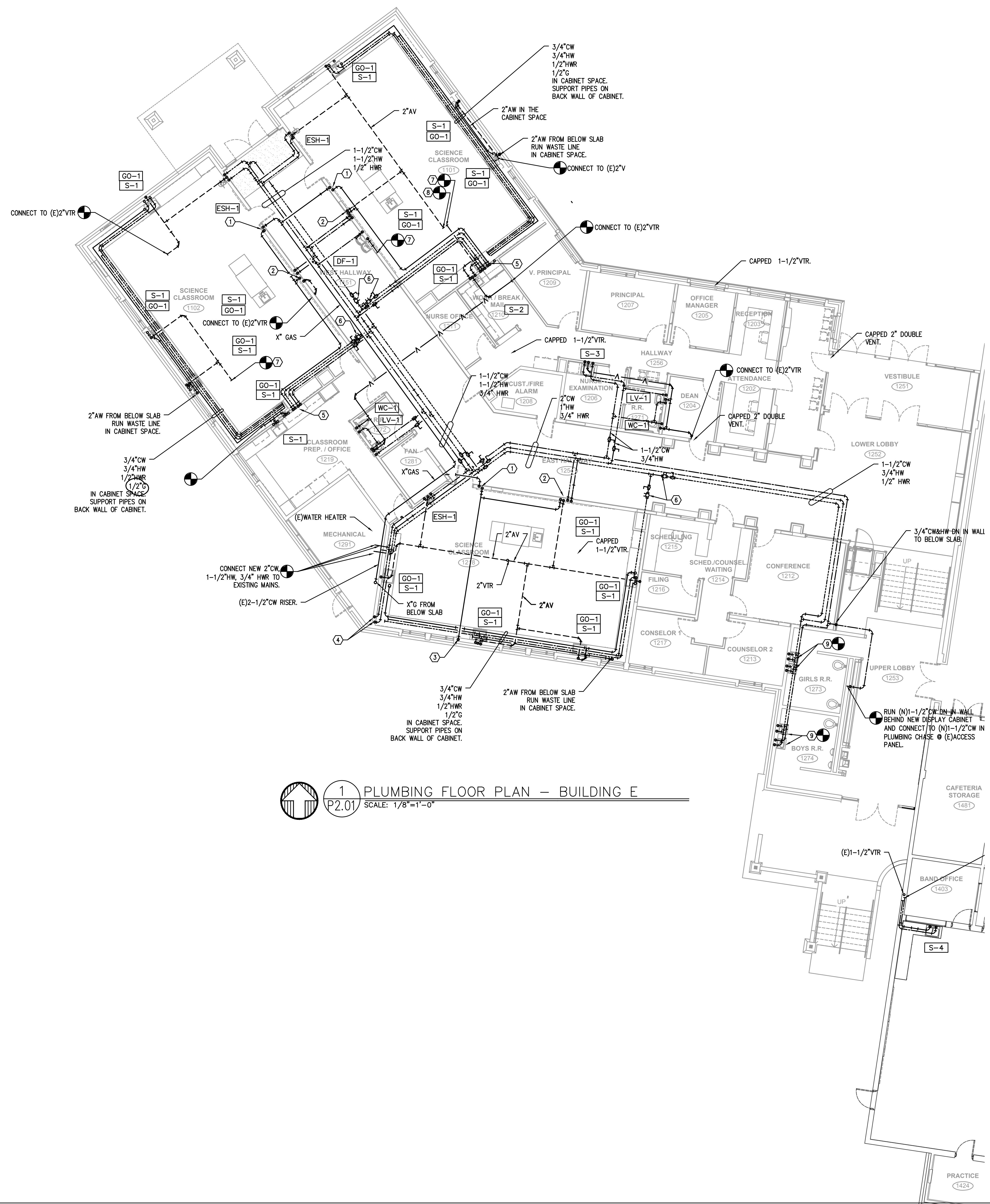
Stamp Sheet No.

P1.02

M F A INC. Consulting Engineers
 2007 S.E. Ash St.
 Portland, OR 97214
 PHN: (503) 234-0548
 FAX: (503) 234-0677
 WWW.MFA-ENG.COM
 CONTACT: TAKAHO BAKER

- KEYED NOTES:**
1. SCIENCE CLASSROOM EMERGENCY GAS SHUT-OFF. SEE 6/P6.01 FOR DETAIL.
 2. 1-1/2"V, 1/2"CW/HW AND 1/2"G DN IN WALL AND UNDERSLAB TO ISLAND FIXTURE.
 3. 3/4"CW DN IN WALL TO CABINET SPACE.
 4. 3/4"CW/HW DN IN WALL TO CABINET SPACE.
 5. 3/4"CW & HW, 1/2" HWR DN IN WALL TO CABINET SPACE.
 6. BALANCE VALVE, SET TO 0.5 GPM.
 7. CONNECT (N)1-1/2"AV TO (E).
 8. CONNECT (N)2"AV TO (E).
 9. CONNECT 1/2"CW&HW TO EXISTING LAV.

City Of Bend Approval Stamp:



1 PLUMBING FLOOR PLAN - BUILDING E
P2.01 SCALE: 1/8"=1'-0"

#	Date	Description

65% PROGRESS SET

PILOT BUTTE MIDDLE SCHOOL - BLDGS E&F
 1501 NE Neff Road,
 Bend OR 97701

BLRB architects

Drawing Title:
PLUMBING FLOOR PLAN - BUILDING E

Date:	11.11.2017	Drawn By:	INITIALS
Revised Date:		Project No.:	17.34B
Stamp:		Sheet No.:	

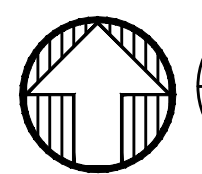
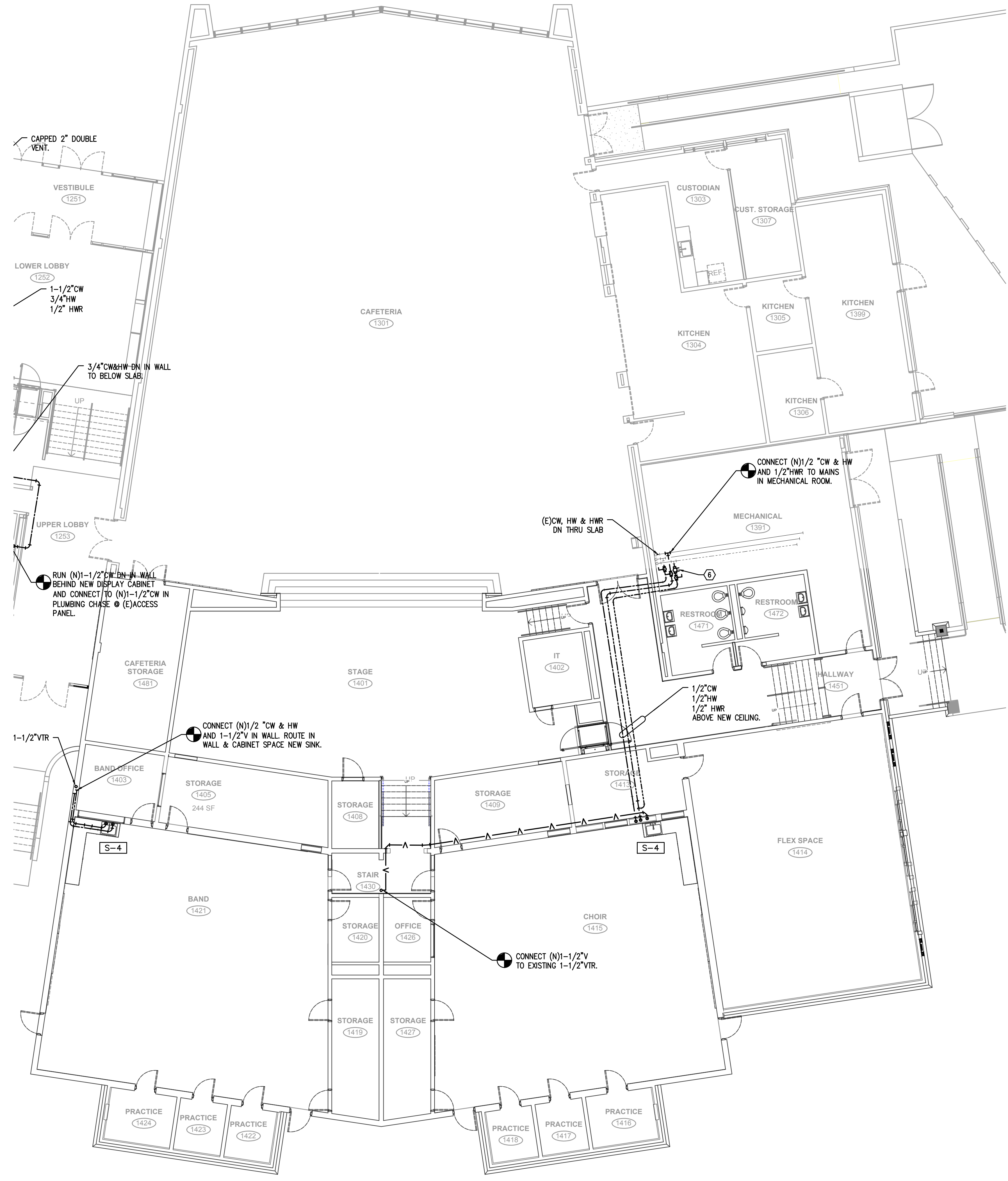
M
ET
A
INC.
 Consulting Engineers
 2007 S.E. Ash St.
 Portland, OR 97214
 PHN: (503) 234-0549
 FAX: (503) 234-0877
 CONTACT: TAKAKO BAKER

P2.01

1 2 3 4 5 6

A
B
C
D
E
F
G
H
J
K

City Of Bend Approval Stamp:



1 PLUMBING FLOOR PLAN - BUILDING F
SCALE: 1/8"=1'-0"

#	Date	Description
Revision Schedule		

65% PROGRESS SET

PILOT BUTTE MIDDLE SCHOOL - BLDGS E&F
1501 NE Neff Road,
Bend OR 97701

BLRB architects

Drawing Title:
**PLUMBING FLOOR PLAN
BUILDING F**

Date: 11.11.2017 Drawn By: INITIALS

Revised Date: Project No. 17.34B

Stamp Sheet No.

P2.02

**M
F
A
INC.** Consulting Engineers
2007 S.E. Ash St.
Portland, OR 97214
PHN: (503) 234-0548
FAX: (503) 234-0677
WWW.MFA-ENG.COM
CONTACT: TAKAHO BAKER

A
B
C
D
E
F
G
H
J
K

City Of Bend Approval Stamp:

PLUMBING LEGEND

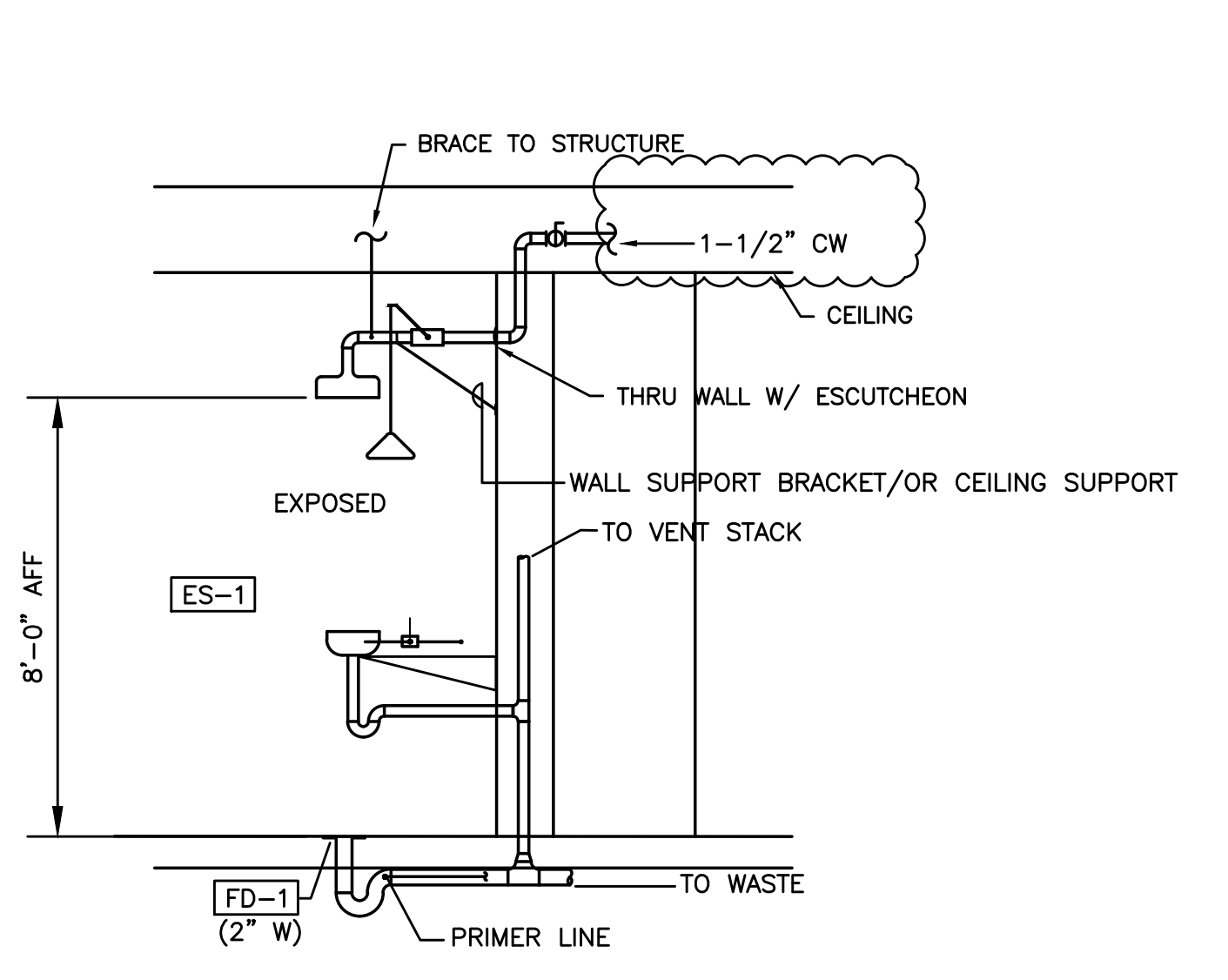
AFF	ABOVE FINISHED FLOOR	(CW)	COLD WATER
ARCH	ARCHITECTURAL	(HW)	HOT WATER
B.G.	BELOW GRADE	(HWR)	HOT WATER RECIRC
BTU	BRITISH THERMAL UNIT	(HT)	HOT WATER HEAT TRACED
CAP.	CAPACITY	(W)	BELOW GRADE WASTE
C.I.	CAST IRON	(W)	ABOVE GRADE WASTE
COMP.	COMPARTMENT	(V)	VENT
CONT.	CONTINUATION	(AV)	AV (AV) ACID VENT
CU.	CUBIC	(RD)	(RD) RAIN DRAIN
DF	DRINKING FOUNTAIN	(OD)	(OD) OVERFLOW RAIN DRAIN
DJ	DEIONIZED (WATER)	(FDC)	(FDC) FIRE DEPARTMENT CONNECTION
DIA.	DIAMETER	(A)	(A) COMPRESSED AIR
ELEV.	ELEVATION	(PHW)	(PHW) PROCESS HOT WATER
EWC	ELECTRIC WATER COOLER	(PCW)	(PCW) PROCESS COLD WATER
FD	FLOOR DRAIN	(VAC)	(VAC) VACUUM
FDC	FIRE DEPARTMENT CONNECTION	(G)	(G) NATURAL GAS
F.F.	FINISH FLOOR	(F)	(F) FIRE WATER
FLG.	FLANGE	(GW)	(GW) GREASE WASTE
FT	FOOT / FEET	(AW)	(AW) ACID WASTE
G	GAS		
GA.	GAUGE		
GALV.	GALVANIZED		
GPM	GALLONS PER MINUTE		
G.V.	GATE VALVE		
HP	HORSEPOWER		
HR.	HOUR		
I.E.	INVERT ELEVATION		
KW	KILOWATT		
LAV	LAVATORY		
LBS	POUNDS		
MX.	MAXIMUM		
MBH	THOUSANDS OF BTUs PER HOUR		
MIN.	MINIMUM		
M.J.	MECHANICAL JOINT		
N.I.M.	NOT IN MECHANICAL		
OS&Y	OUTSIDE STEM & YOKE		
PROT.	PROTECTION		
PRV	PRESSURE REDUCING VALVE		
PSI	POUNDS PER SQUARE INCH		
PSIG	PSI ABOVE GROUND		
P/T	PRESSURE / TEMPERATURE		
REQ'D	REQUIRED		
RBPB	REDUCED PRESSURE BACKFLOW PREVENTER		
RPM	REVOLUTIONS PER MINUTE		
TYP.	TYPICAL		
UR	URINAL		
VTR	VENT THROUGH ROOF		
WC	WATER CLOSET		

(X XX)	EQUIPMENT MARK NUMBER	PRV	PRESSURE/TEMP RELIEF VALVE
XXX	FIXTURE MARK	BV	BUTTERFLY VALVE
(E)	EXISTING	GRV	GAS PRESSURE REGULATING VALVE
(N)	NOTE	TC	TOP CONNECTION
(C)	CONNECT TO EXISTING	BC	BOTTOM CONNECTION
(T)	CAP	PTU	PIPE TURNED UP, PIPE TURNED DOWN
(L)	TEE	GV	GATE VALVE
(EL)	ELBOW	BV	BALL VALVE
(C)	CLEANOUT	BV	BALANCING VALVE
		CV	CHECK VALVE
		U	UNION
		DC	DOUBLE CHECK ASSEMBLY

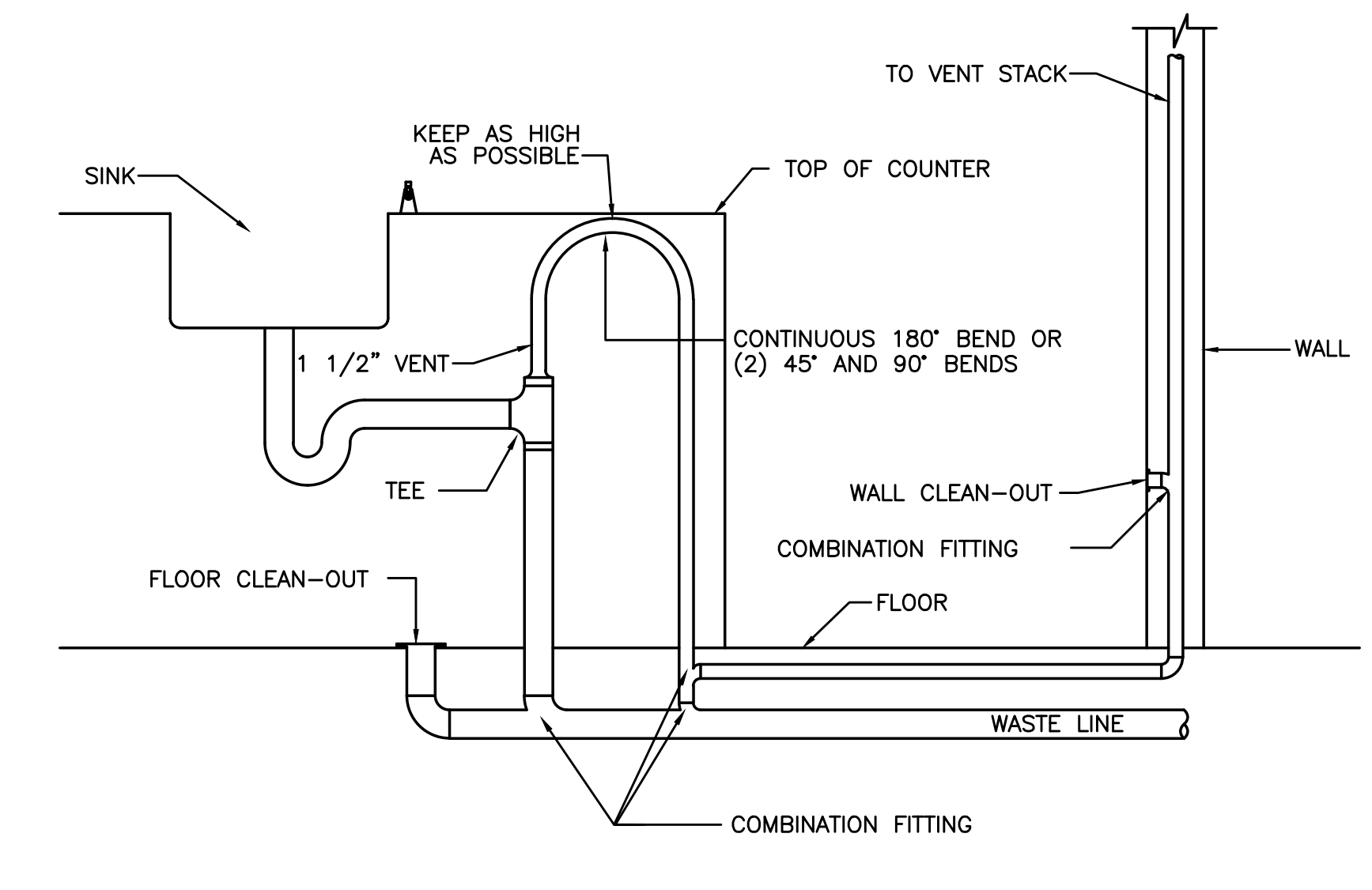
PLUMBING CONNECTION SCHEDULE

MARK	EXCISE	W	V	CW	HW	REMARKS
ESH-1	EMERGENCY SHOWER AND EYE WASH	2"	V.L.	1-1/4"	1-1/4"	SEE SPECS, SEE 1/P6.01
CV-1	LAVATORY	1-1/2"	1-1/2"	1-1/2"	1-1/2"	WALL MOUNT, SEE SPECS
S-1	SINK	1-1/2"	1-1/2"	1/2"	1/2"	SCIENCE CLASSROOM SINK
S-2	SINK	1-1/2"	1-1/2"	1/2"	1/2"	BREAKROOM
S-3	SINK	1-1/2"	1-1/2"	1/2"	1/2"	NURSE
S-4	SINK	1-1/2"	1-1/2"	1/2"	1/2"	BAND/CHOIR ROOM
GO-1	GAS OUTLET					1/2"G
WC-1	WATER CLOSET	3"	2"	1"		WALL MOUNT, FLUSH VALVE, ADA
FD-1	FLOOR DRAIN	2"	V.L.			J.R. SMITH 2005A (ROUND) OR EQUAL APPROVED.
DF-1	DRINKING FOUNTAIN	1-1/2"	1-1/2"	1/2"		DUAL HEIGHT, WITH BOTTLER FILTER

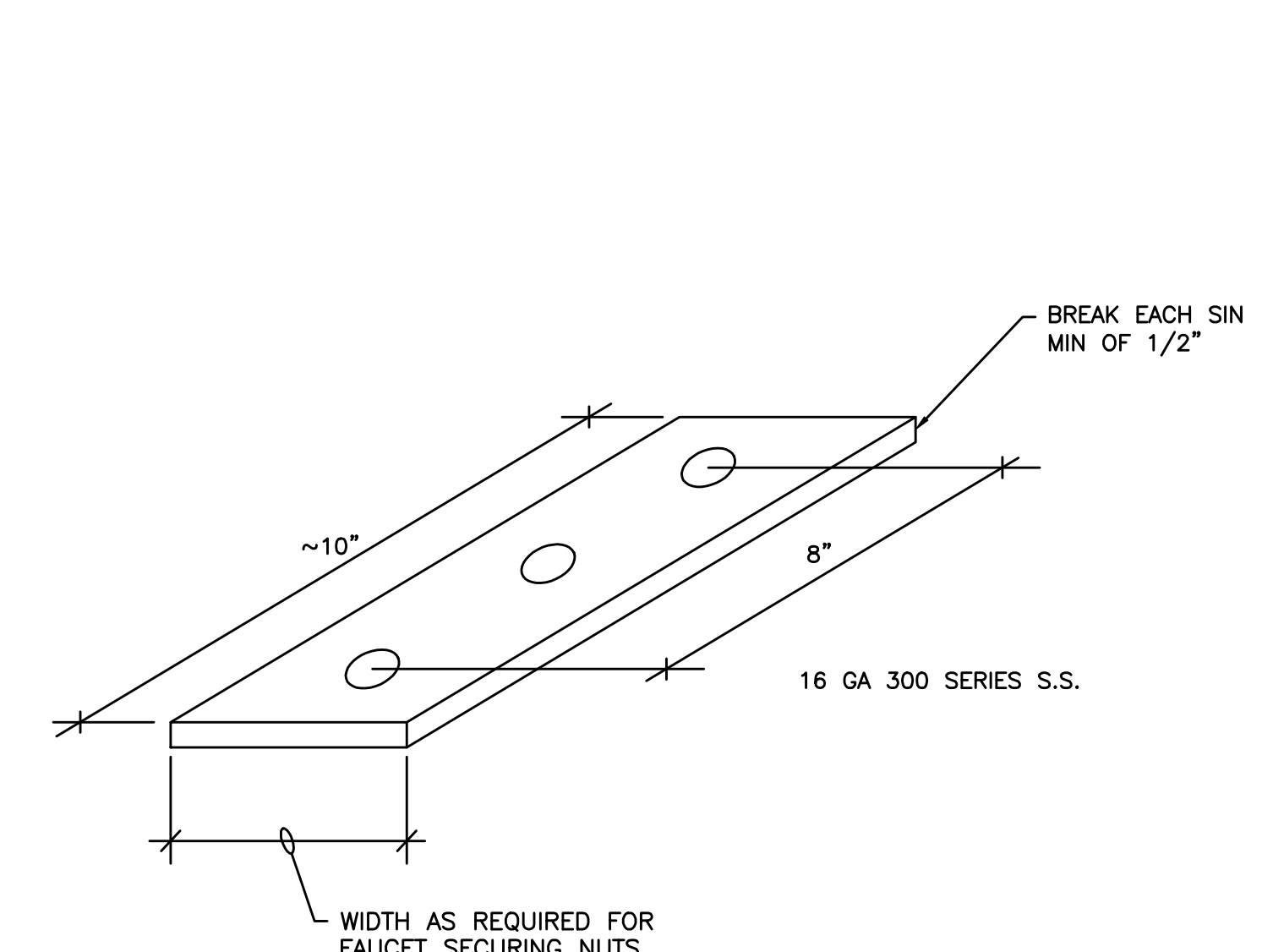
* PROVIDE W/ WALL CLEAN-OUT BELOW EACH SINK



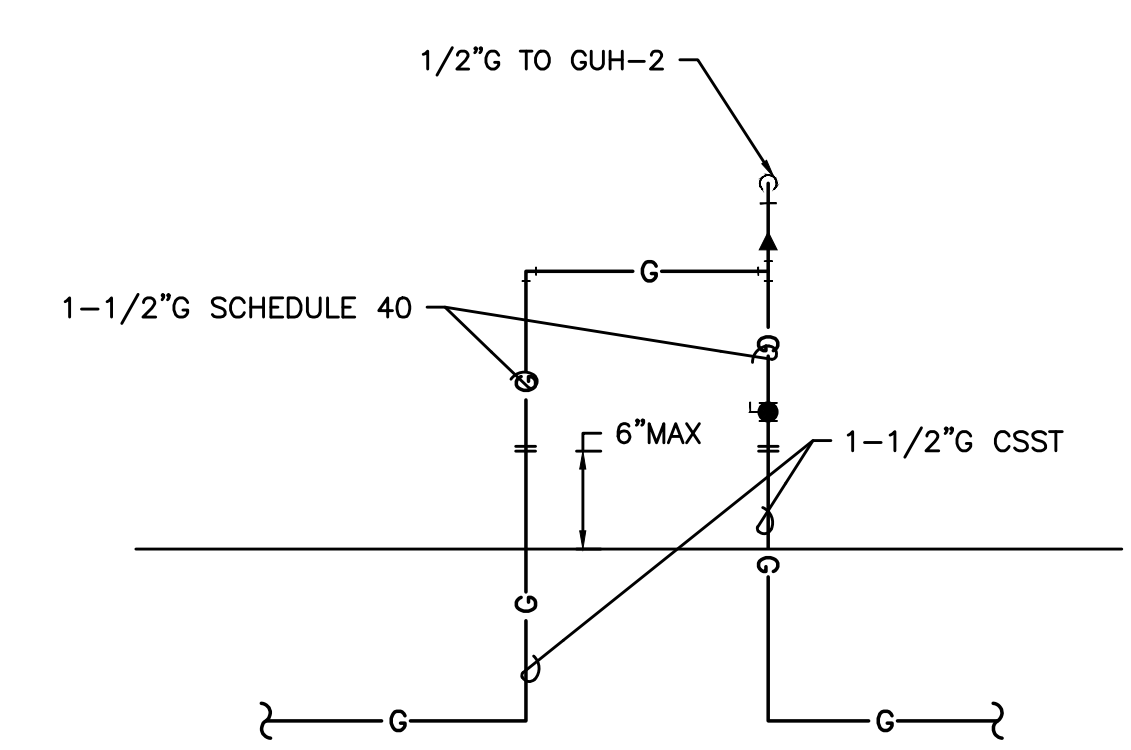
1 EMERGENCY SHOWER/EYE WASH DETAIL
SCALE: DETAIL



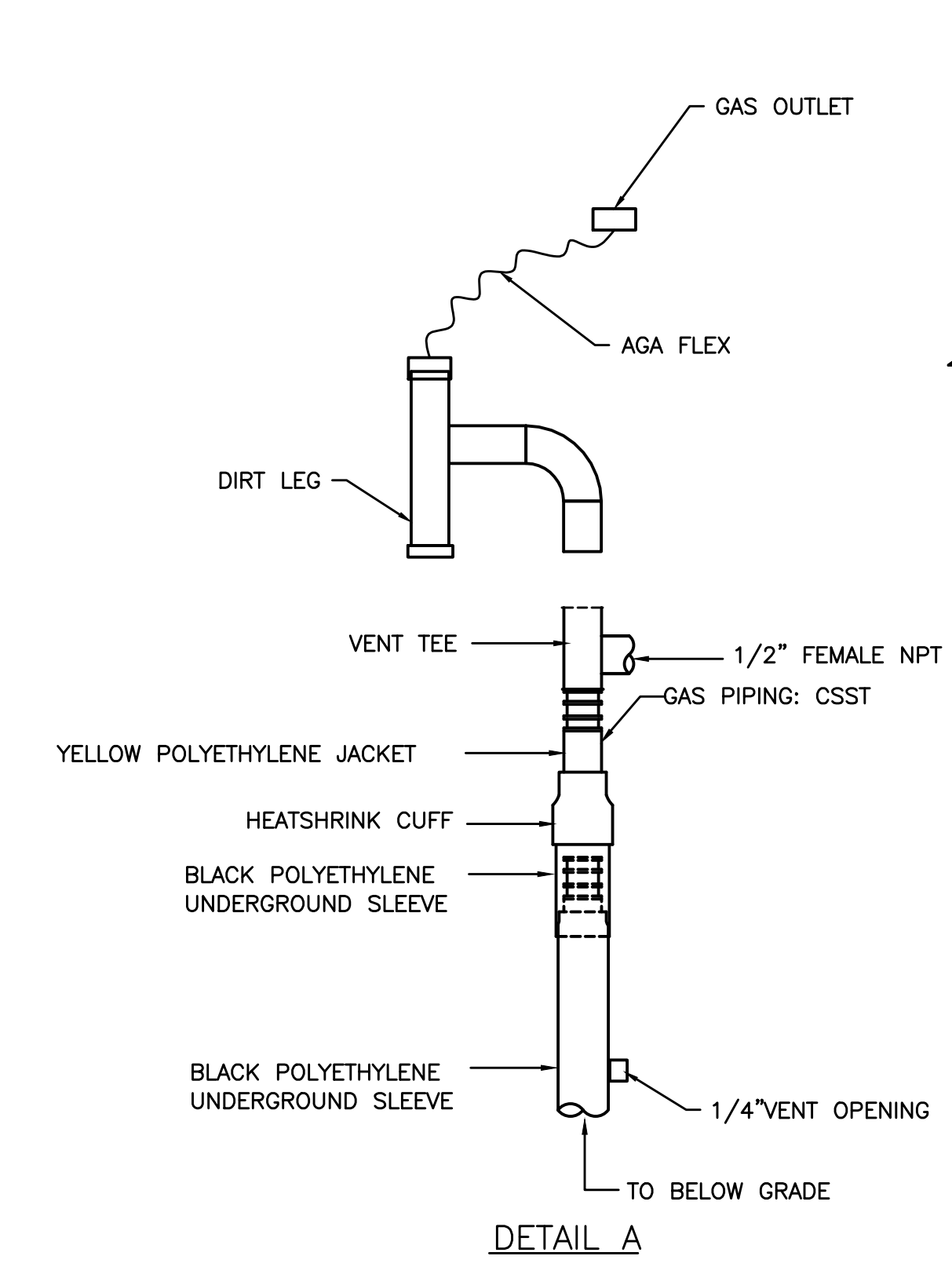
2 ISLAND SINK
SCALE: DETAIL



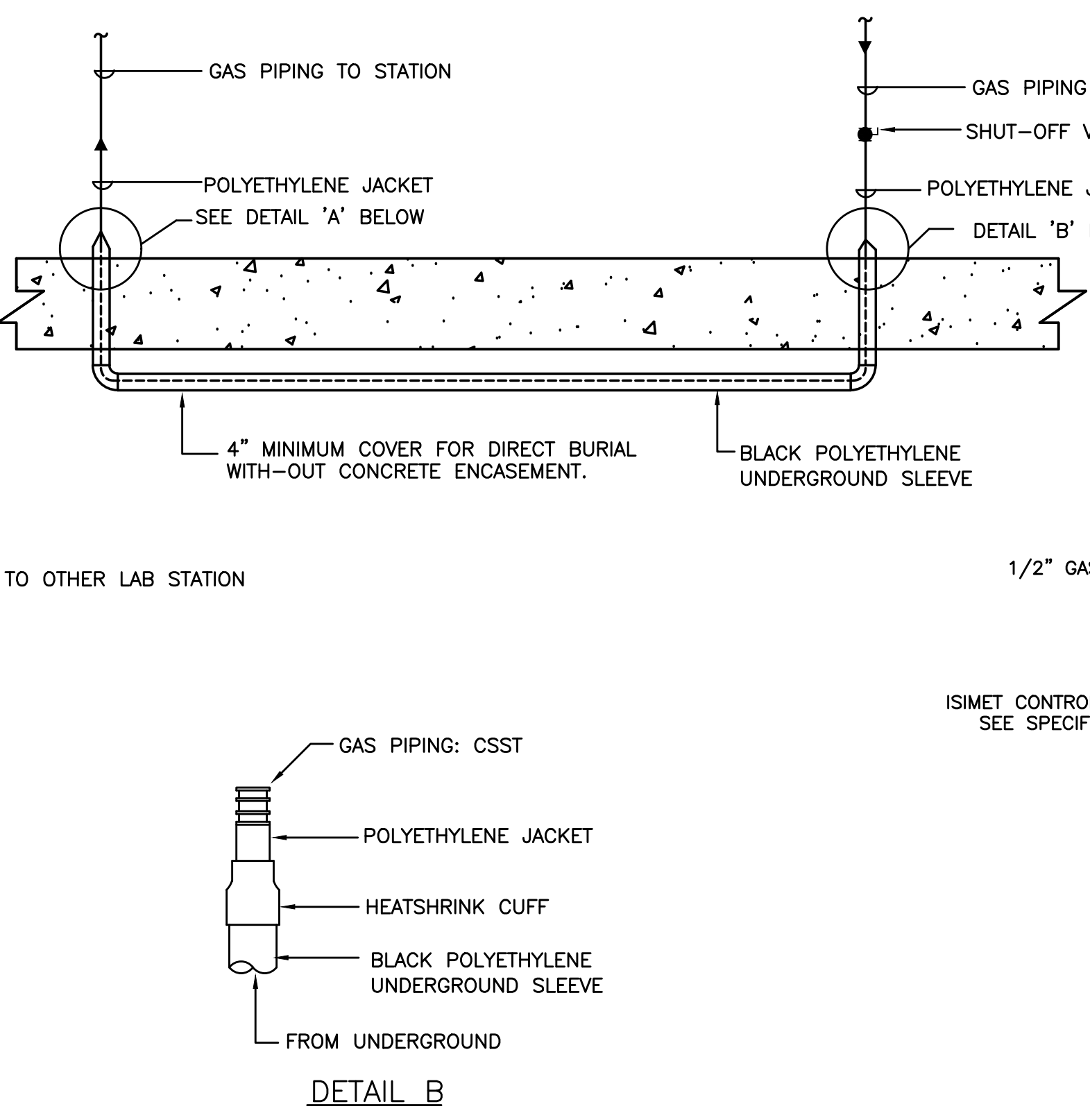
3 SINK REINFORCEMENT
SCALE: DETAIL



4 GAS PIPING TRANSITION DETAIL
SCALE: DETAIL



5 GAS PIPING UNDERGROUND
NOT TO SCALE



6 LAB GAS VALVE
SCALE: DETAIL

#	Date	Description
Revision Schedule		

65% PROGRESS SET

PILOT BUTTE MIDDLE SCHOOL - BLDGS E&F
1501 NE Neff Road,
Bend OR 97701

BLRB architects

Drawing Title: PLUMBING LEGEND AND SCHEDULES	
Date: 11.11.2017	Drawn By: INITIALS
Revised Date:	Project No. 17.34B
Stamp	Sheet No.

P6.01