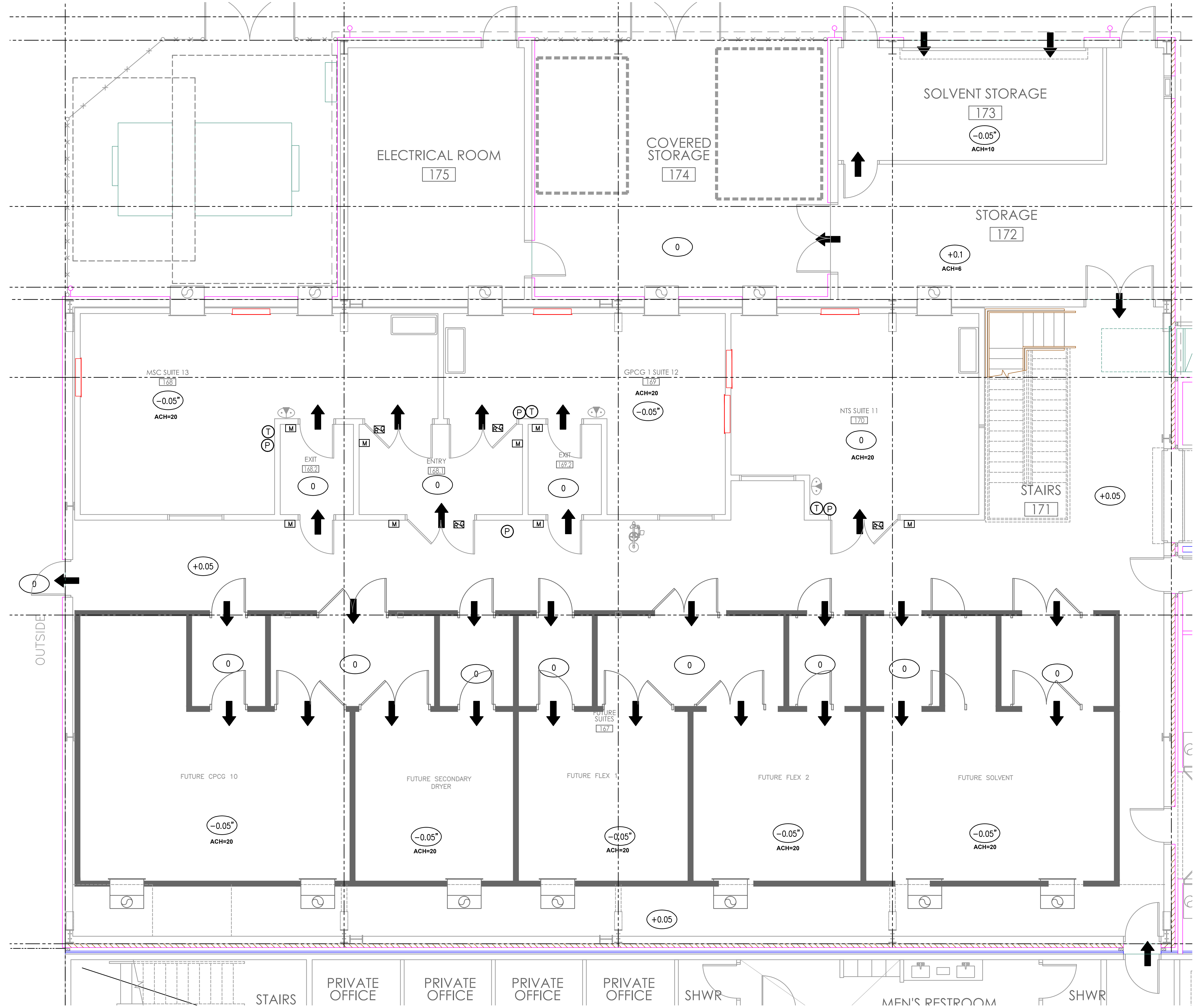
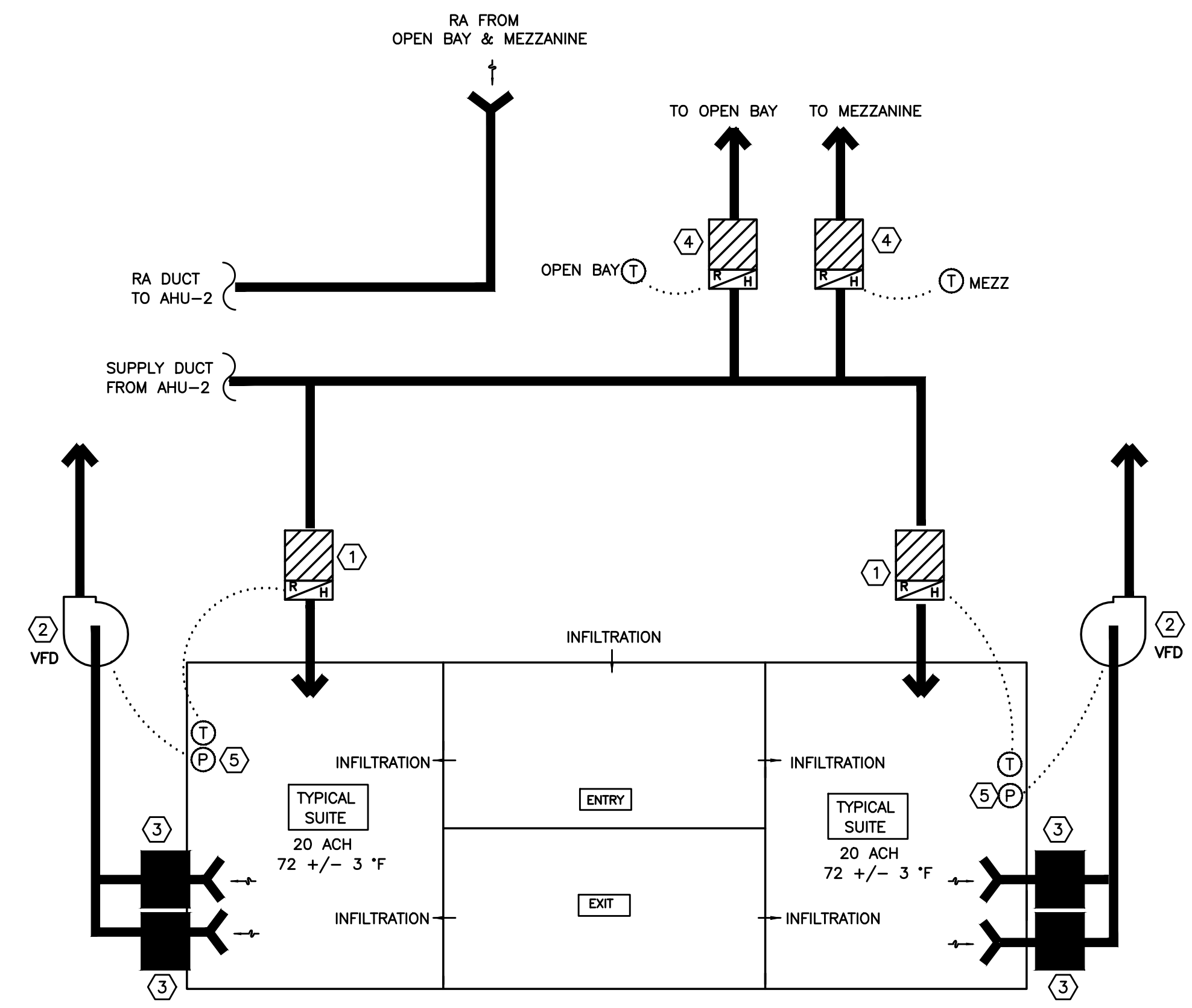


PLAN REVIEW APPROVAL STAMP



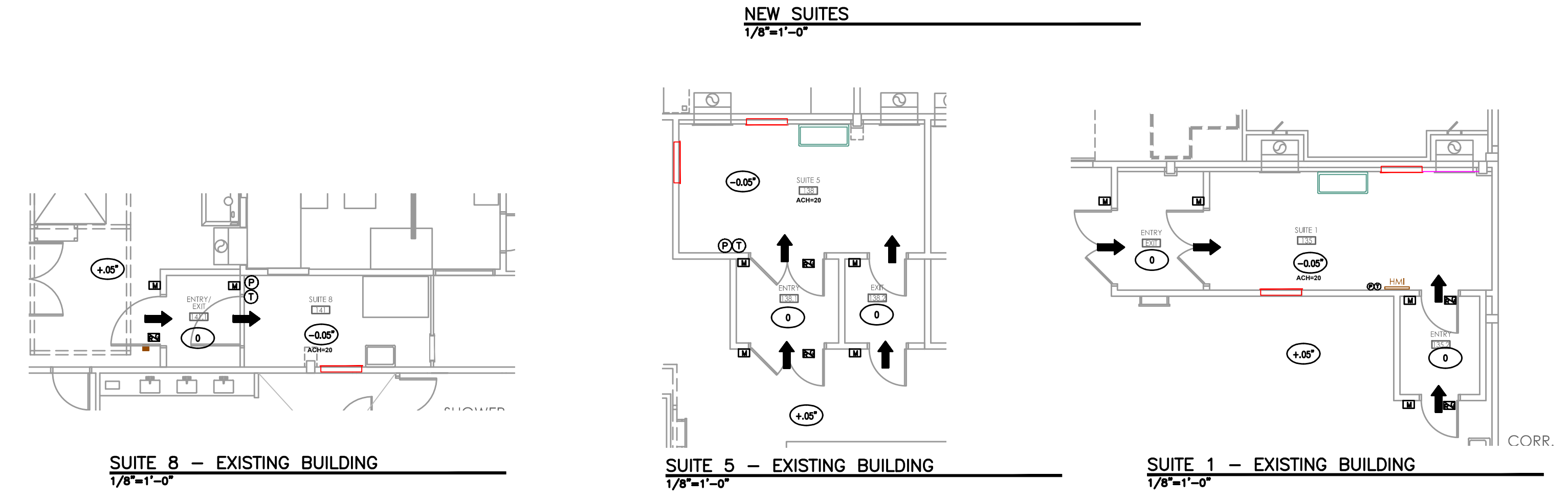
GENERAL NOTES:
 1. SUPPLY CFM TO BE BALANCED WITHIN +/- 10% UNLESS OTHERWISE NOTED.
 2. EXHAUST GRILLE CFM VALUES ARE APPROXIMATE. CONTRACTOR TO VARY EXHAUST SETPOINT BASED ON ROOM PRESSURIZATION.

- LEGEND:**
- T - ROOM TEMPERATURE SENSOR (TO DDC)
 - P - SPACE PRESSURE SENSOR (TO DDC)
 - R - RED /GREEN PRESSURE INDICATOR LIGHT
 - M - MAGNEHELIC PRESSURE GAUGE



- KEYED NOTES:**
- 1 - VAV BOXES WITH REHEAT COIL: SET VAV DAMPER AT CONSTANT AIRFLOW TO PROVIDE 20 ACH TO SUITE. HW VALVE TO MODULATE TO MAINTAIN SPACE TEMP.
 - 2 - EXHAUST FAN W/ VFD: CONTROL FAN SPEED TO MAINTAIN SPACE PRESSURE IN SUITE.
 - 3 - BAG-IN/BAG-OUT HEPA EXHAUST UNIT
 - 4 - VAV BOX WITH REHEAT COIL: VAV DAMPER AND HW VALVE MODULATE TO MAINTAIN SPACE TEMP.
 - 5 - SET TO -0.1" W.G. RELATIVE TO OPEN BAY.

2 AIRFLOW DIAGRAM
 M1.0 NONE



1 HVAC PRESSURE & INSTRUMENTATION DIAGRAM
 M1.0 1/8"=1'-0"

ROOM NAME	ACH	100% EXHAUST	TEMPERATURE	SPACE PRESSURE *	EQUIPMENT LOAD
MISC	20	YES	72 +/- 3 °F	-0.10"	20,130 MBH
GPCG 1	20	YES	72 +/- 3 °F	-0.10"	52,000 MBH
NTS	20	YES	72 +/- 3 °F	0	55,127 MBH
CLEAN EQUIPT STORAGE	6	NO	72 +/- 5 °F	POSITIVE	-
SOLVENT STORAGE	10	YES	UNCONDITIONED	NEGATIVE	-
OPEN BAY	6	NO	72 +/- 5 °F	+0.05"	16500 MBH
MEZZANINE	-	NO	72 +/- 5 °F	+0.05"	20642 MBH
FLEX 1 (FUTURE)	20	YES	72 +/- 3 °F	-0.10"	12000 MBH
FLEX 2 (FUTURE)	20	YES	72 +/- 3 °F	-0.10"	12000 MBH
SECONDARY DRYER (FUTURE)	20	YES	72 +/- 3 °F	-0.10"	24000 MBH
R SOLVENT (FUTURE)	20	YES	72 +/- 3 °F	-0.10"	41600 MBH
EXIT / ENTRY	**	NO	72 +/- 5 °F	NEGATIVE	0 MBH
GPCG 10 (FUTURE)	20	YES	72 +/- 3 °F	-0.10"	***

* RELATIVE TO OUTSIDE
 ** NONE REQUIRED TO MAINTAIN SPACE PRESSURE
 *** A DEDICATED HVAC WILL BE PROVIDED IN THE FUTURE.

3 BASIS OF DESIGN
 M1.0 NONE

BEND RESEARCH, INC
 CORPORATE PLACE FACILITY - BUILDING EXPANSION NORTH