

**NOTE:**

PROVIDE ALL REQUIRED CONTROL WIRING TO ACCOMPLISH:

**FIRE/SMOKE DAMPER** - FIRE/SMOKE DAMPER TO CLOSE UPON ACTIVATION OF LOCAL SMOKE DETECTOR (VIA FIRE ALARM)

**EXHAUST DUCTS/FANS** - FIRE/SMOKE DAMPER TO CLOSE UPON SHUTDOWN OF ASSOCIATED EXHAUST FAN. (VIA DDC)

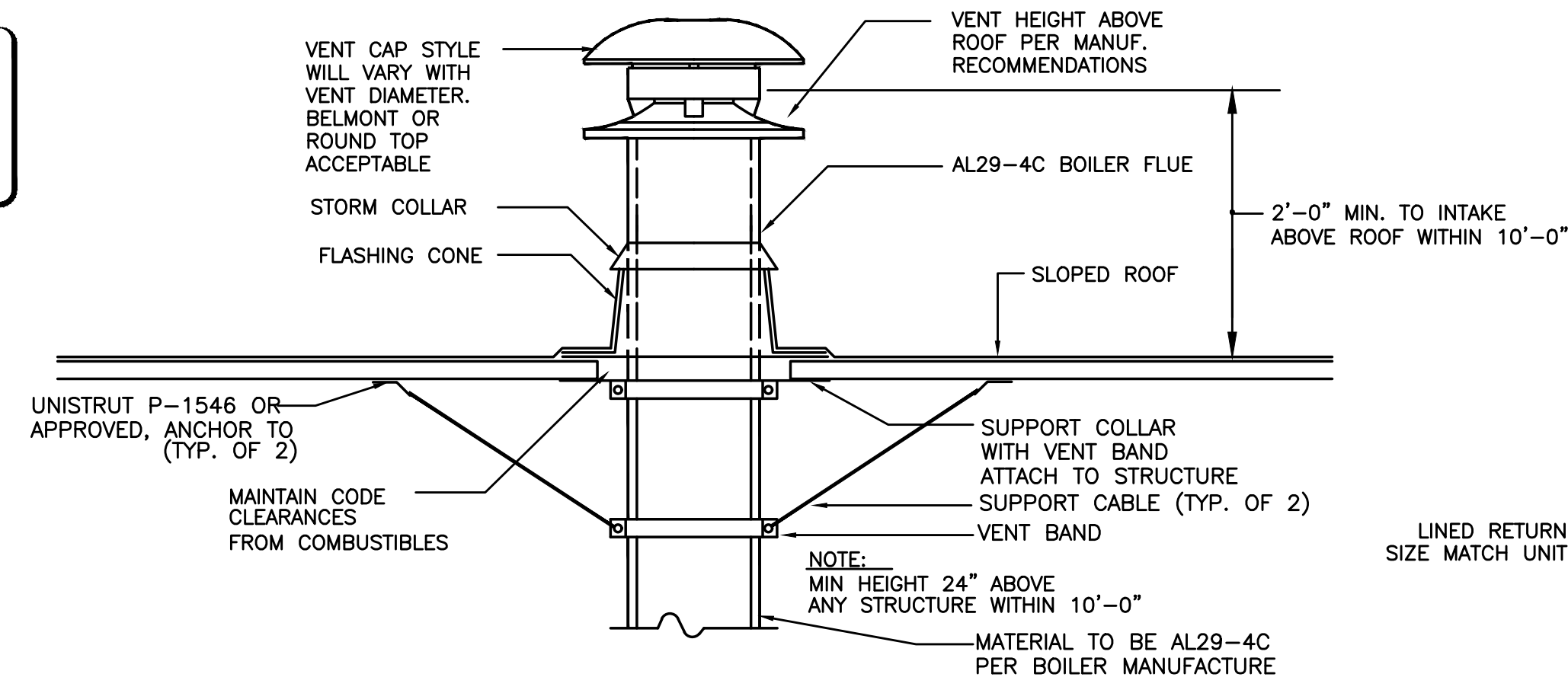
**SUPPLY OR RETURN DUCTS/FANS** - FIRE/SMOKE DAMPER TO CLOSE UPON SHUTDOWN OF ASSOCIATED AIR HANDLING UNIT. (VIA DDC)

**AHUs OR EXHAUST FANS** - AIR HANDLING UNITS TO SHUT DOWN UPON LOSS OF "PROOF OF OPEN" SIGNAL FROM DAMPER END SWITCH (VIA DDC)

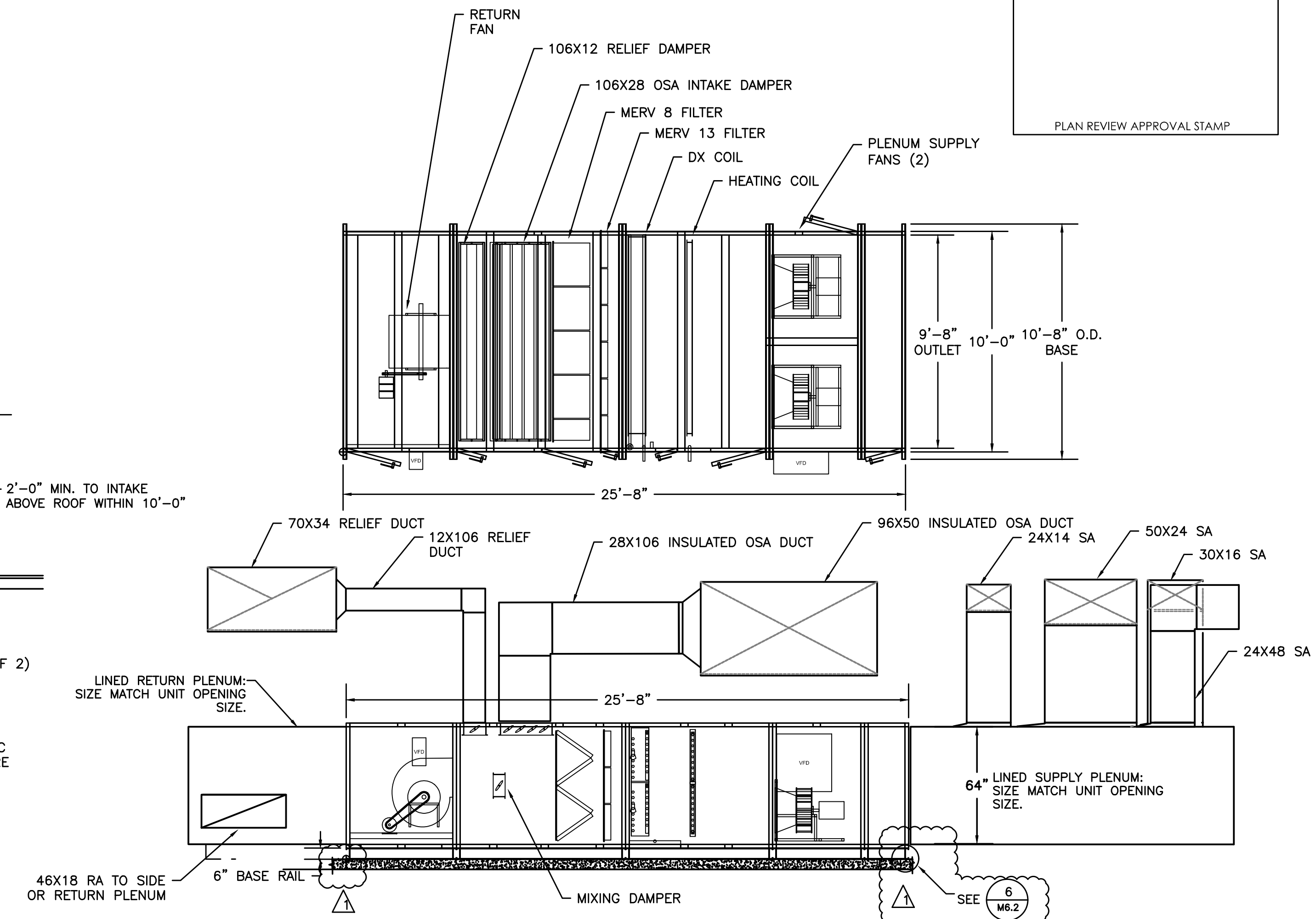
**GENERAL NOTES:**

PROVIDE ACCESS IN CEILING OR WALL FOR DAMPER AND SMOKE DETECTOR  
 SEE ELECTRICAL FOR WIRING INSTALLATION

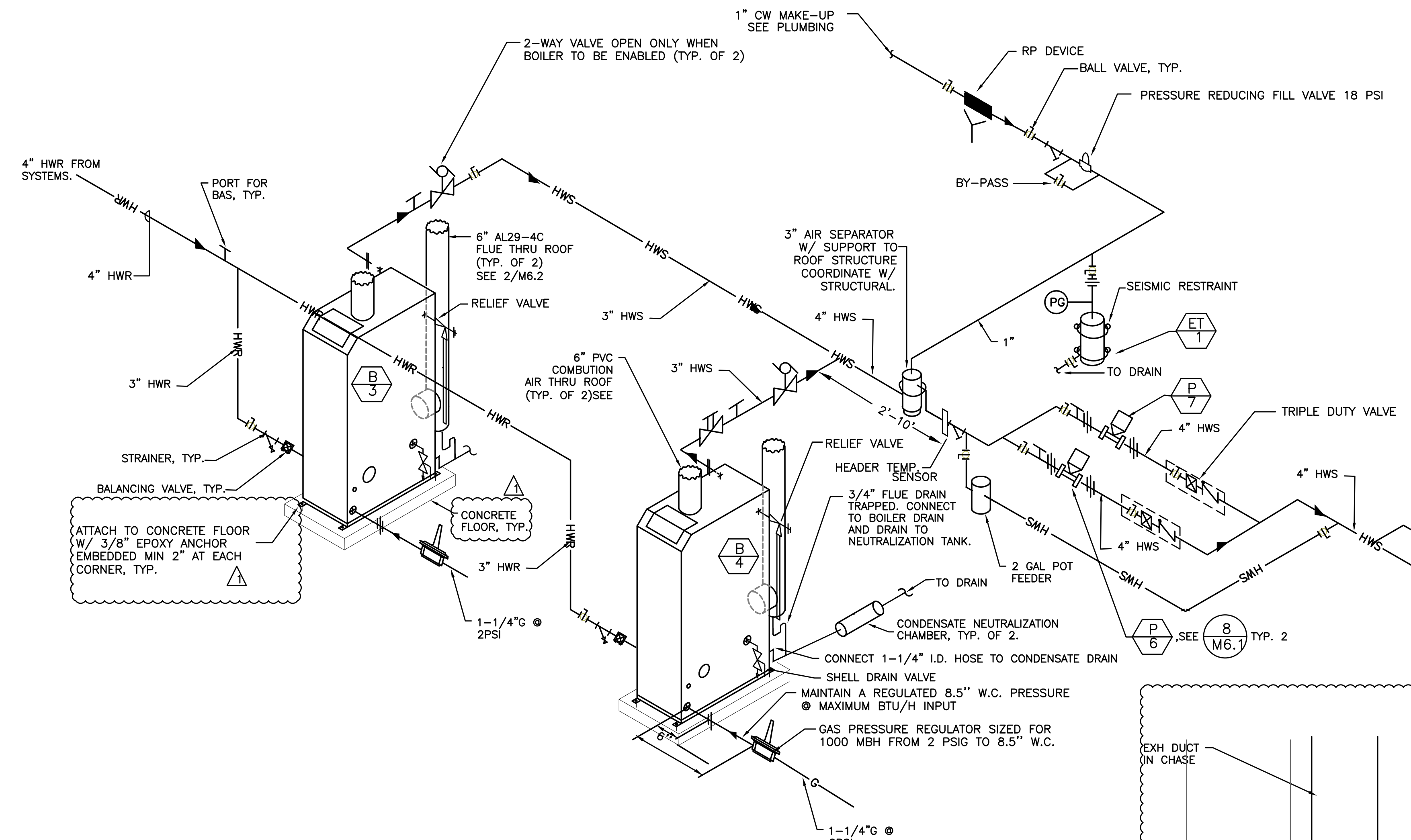
**1 FIRE/SMOKE DAMPER**  
 M6.2 SCALE: DETAIL



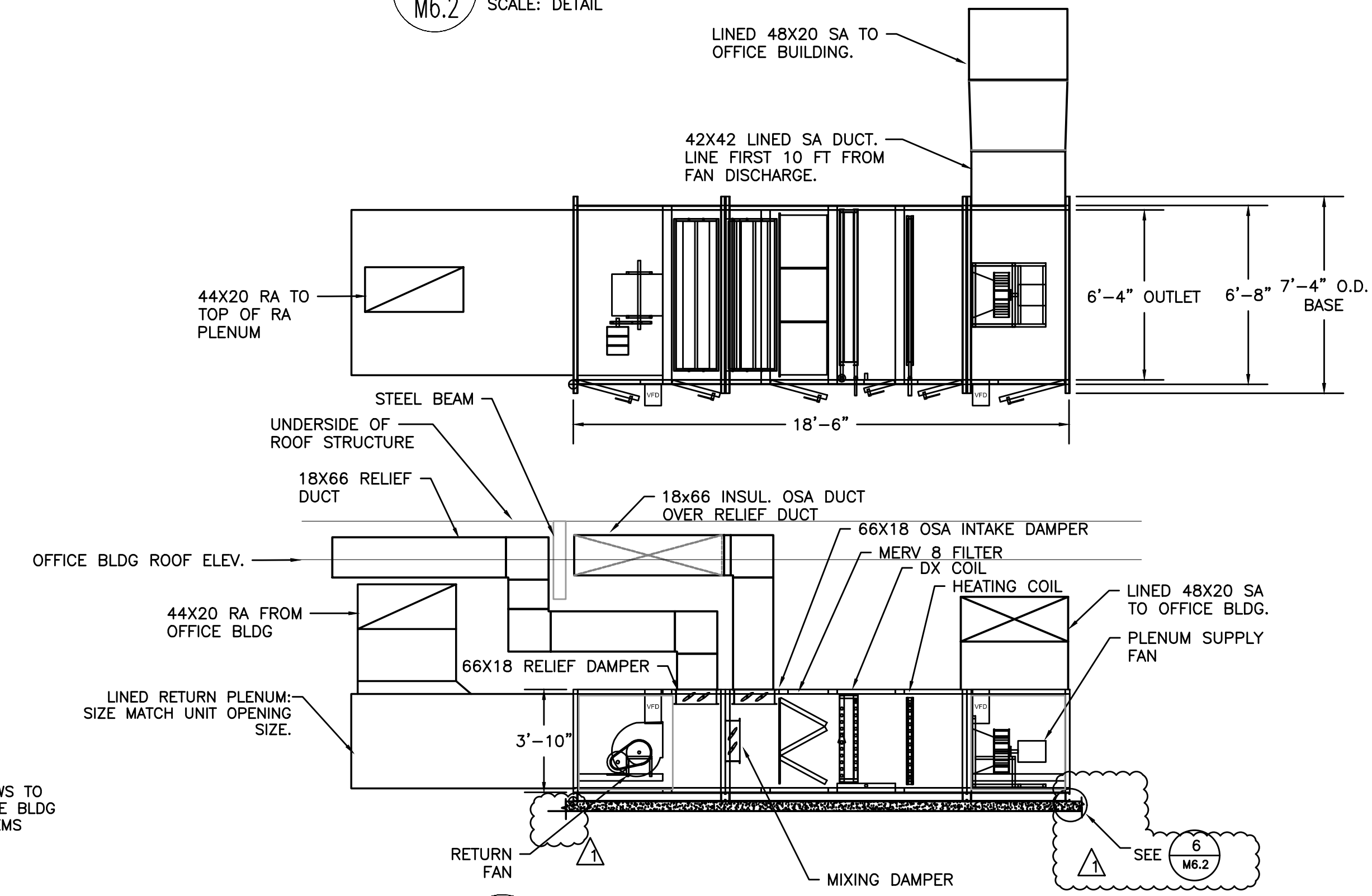
**2 BOILER VENT TERMINATION**  
 M6.2 SCALE: DETAIL



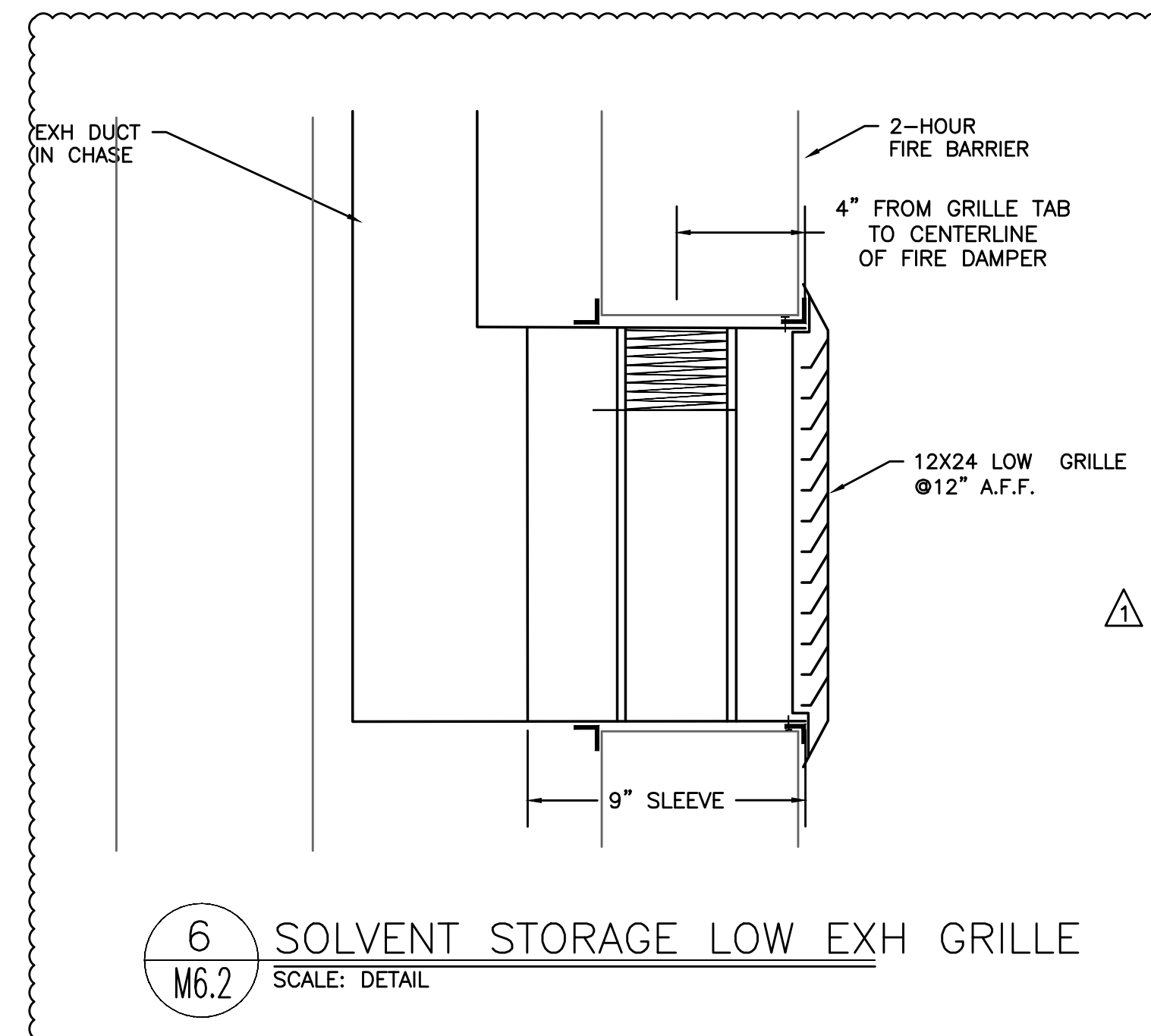
**4 AHU-2 DETAIL**  
 M6.2 SCALE: DETAIL



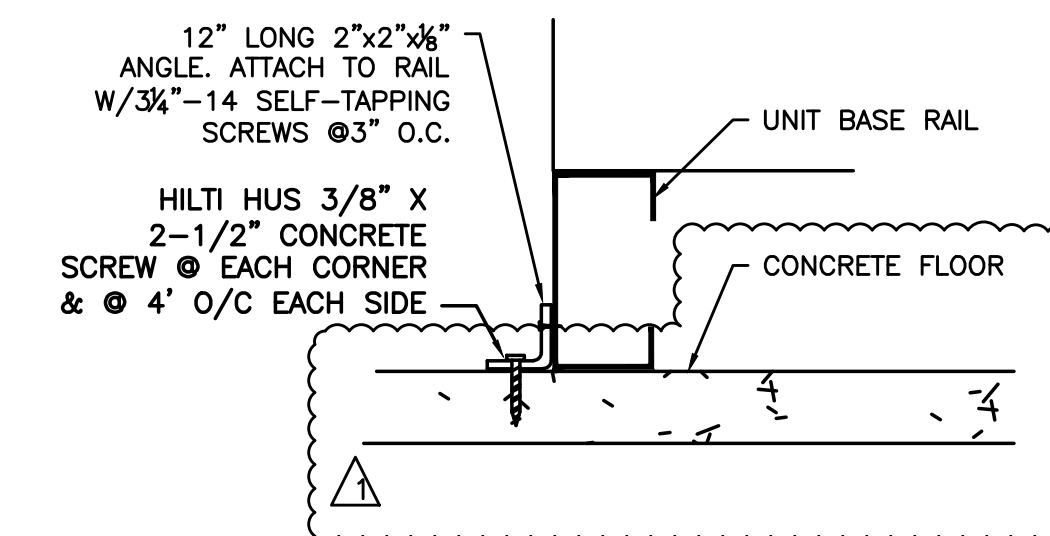
**3 BOILER PIPING DETAIL**  
 M6.2 SCALE: DETAIL



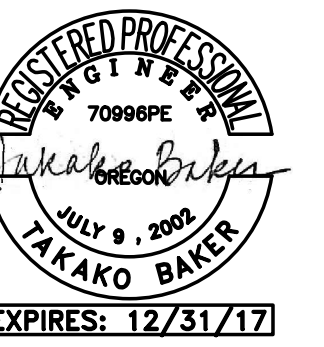
**5 AHU-1 DETAIL**  
 M6.2 SCALE: DETAIL



**6 SOLVENT STORAGE LOW EXH GRILLE**  
 M6.2 SCALE: DETAIL



**6 AHU CONNECTION DETAIL**  
 M6.2 SCALE: DETAIL



**BLAISE CACCIOLA**  
 ARCHITECT  
 1465 SW Knoll Avenue, Suite 250  
 Bend, OR 97702  
 Phone: 541.728.0375  
 www.BCA-Architect.com

DRAWN/ CHECKED: TB  
 ISSUES / REVISIONS:  
 BID SET 07/21/2017  
 PH 2 - GEN BLDG 07/28/2017  
 REV 1 09/13/2017