

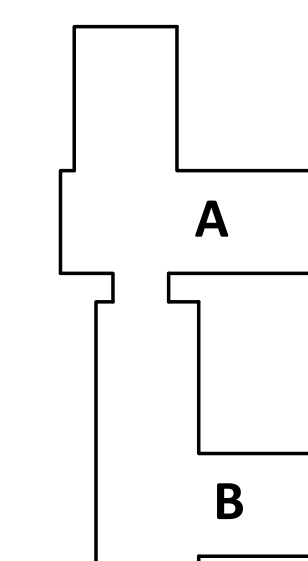


**MEI** Consulting Engineers  
 2007 S.E. Ash St.  
 Portland, OR 97214  
 PHN: (503) 234-0548  
 FAX: (503) 234-0677  
 INC. WWW.MEIA-ENG.COM  
 CONTACT: MARK DENYER

STAMP 3-15-22



REVISION NO. DATE



KEY PLAN - (INTS)



HOME FORWARD  
 5000 NE 42ND  
 PORTLAND, OR 97218

ISSUANCE PERMIT SET

PROJECT NUMBER 2003

DATE MARCH 18, 2022

SCALE As indicated

DRAWING TITLE MECHANICAL SCHEDULES/DETAILS

SHEET NUMBER

**M6.01**

**VENTILATION AIR SCHEDULE - FC-2**

ROOM NUMBER AND NAME	AREA (SQ. FT.)	OCCUPANT LOAD (#/1000 SQ. FT.)	NUMBER OF OCCUPANTS	OUTSIDE AIR REQUIREMENT (CFM/PP)	OUTSIDE AIR REQUIREMENT (CFM/SQ.FT.)	OUTSIDE AIR REQUIRED (CFM)	ZONE OSA (CFM)	SUPPLY AIR (CFM)	PRIMARY OSA FRACTION	RETURN AIR (CFM)	EXHAUST AIR (CFM)	Zone Ventilation Efficiency	Corrected OSA CFM	AIR SYSTEMS	
	Az	Pz	Rp	Ra	Vbz	Ez	Voz	Vpz	Zp			Evz			
OFFICE SPACE	364	5	2	5	0.06	32	0.8	40	1000	0.04	1000	0	1.00	39.80	FC-2
<b>TOTAL</b>	<b>364</b>		<b>2</b>			<b>32</b>		<b>40</b>	<b>1000</b>		<b>1000</b>	<b>0</b>	<b>1.00</b>	<b>40</b>	
				<b>CORRECTED TOTAL OUTDOOR AIR FLOW RATE</b>				<b>40</b>	<b>CFM</b>	<b>Corrected OSA Fractio</b>	<b>Zs =</b>	<b>0.04</b>			

**VENTILATION AIR SCHEDULE - FC-3**

ROOM NUMBER AND NAME	AREA (SQ. FT.)	OCCUPANT LOAD (#/1000 SQ. FT.)	NUMBER OF OCCUPANTS	OUTSIDE AIR REQUIREMENT (CFM/PP)	OUTSIDE AIR REQUIREMENT (CFM/SQ.FT.)	OUTSIDE AIR REQUIRED (CFM)	ZONE OSA (CFM)	SUPPLY AIR (CFM)	PRIMARY OSA FRACTION	RETURN AIR (CFM)	EXHAUST AIR (CFM)	Zone Ventilation Efficiency	Corrected OSA CFM	AIR SYSTEMS	
	Az	Pz	Rp	Ra	Vbz	Ez	Voz	Vpz	Zp			Evz			
HALL/MAIL 127	2012	0	0	0	0.06	121	0.8	151	1300	0.12	1143	0	1.02	203.64	FC-3
MGMT SUITE 123	360	5	2	5	0.06	32	0.8	40	100	0.40	0	0	0.74	53.31	FC-3
<b>TOTAL</b>	<b>2372</b>		<b>2</b>			<b>152</b>		<b>190</b>	<b>1400</b>		<b>1143</b>	<b>0</b>	<b>0.74</b>	<b>257</b>	
				<b>CORRECTED TOTAL OUTDOOR AIR FLOW RATE</b>				<b>257</b>	<b>CFM</b>	<b>Corrected OSA Fractio</b>	<b>Zs =</b>	<b>0.18</b>			

**VENTILATION AIR SCHEDULE - FC-4**

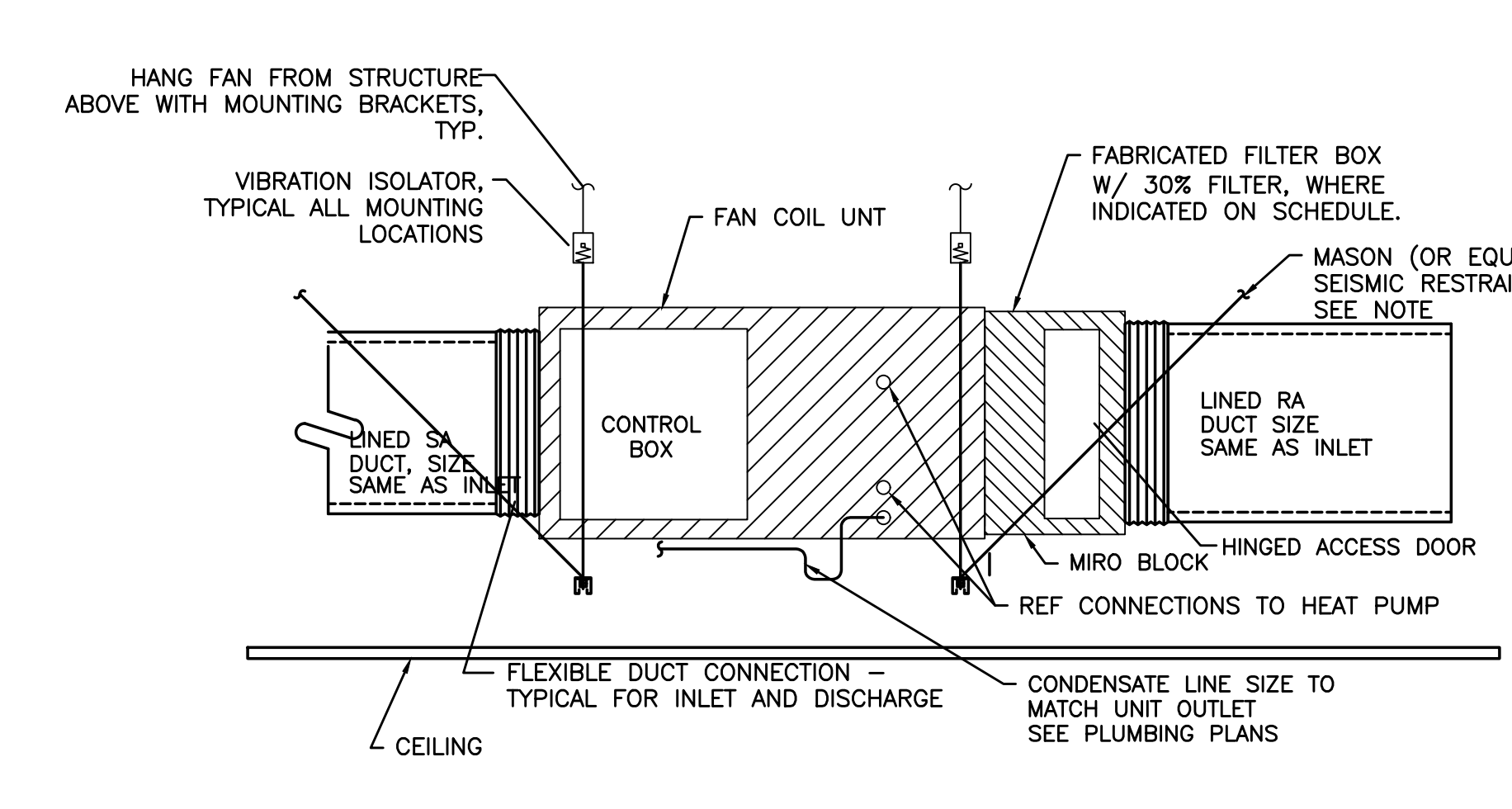
ROOM NUMBER AND NAME	AREA (SQ. FT.)	OCCUPANT LOAD (#/1000 SQ. FT.)	NUMBER OF OCCUPANTS	OUTSIDE AIR REQUIREMENT (CFM/PP)	OUTSIDE AIR REQUIREMENT (CFM/SQ.FT.)	OUTSIDE AIR REQUIRED (CFM)	ZONE OSA (CFM)	SUPPLY AIR (CFM)	PRIMARY OSA FRACTION	RETURN AIR (CFM)	EXHAUST AIR (CFM)	Zone Ventilation Efficiency	Corrected OSA CFM	AIR SYSTEMS	
	Az	Pz	Rp	Ra	Vbz	Ez	Voz	Vpz	Zp			Evz			
PACKAGE/BRK RM 124	225	0	0	0	0.12	27	0.8	34	600	0.06	1000	0	1.04	44.53	FC-4
CASE MGR 125	285	5	2	5	0.06	27	0.8	34	100	0.34	1000	0	0.76	44.70	FC-4
<b>TOTAL</b>	<b>510</b>		<b>2</b>			<b>54</b>		<b>68</b>	<b>700</b>		<b>2000</b>	<b>0</b>	<b>0.76</b>	<b>89</b>	
				<b>CORRECTED TOTAL OUTDOOR AIR FLOW RATE</b>				<b>89</b>	<b>CFM</b>	<b>Corrected OSA Fractio</b>	<b>Zs =</b>	<b>0.13</b>			

**VENTILATION AIR SCHEDULE - FC-6**

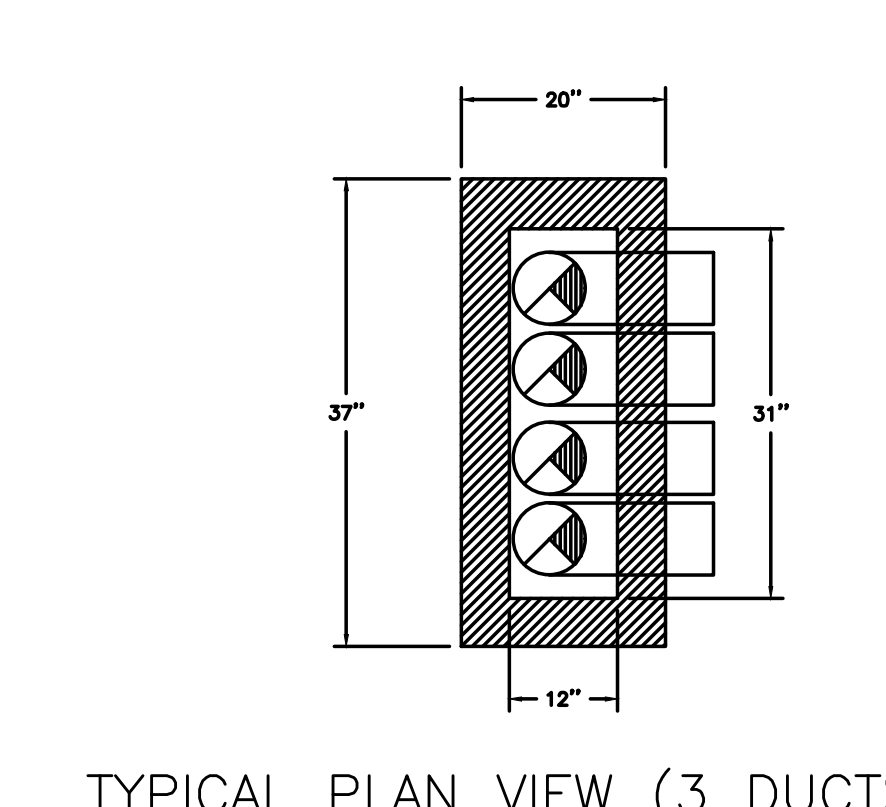
ROOM NUMBER AND NAME	AREA (SQ. FT.)	OCCUPANT LOAD (#/1000 SQ. FT.)	NUMBER OF OCCUPANTS	OUTSIDE AIR REQUIREMENT (CFM/PP)	OUTSIDE AIR REQUIREMENT (CFM/SQ.FT.)	OUTSIDE AIR REQUIRED (CFM)	ZONE OSA (CFM)	SUPPLY AIR (CFM)	PRIMARY OSA FRACTION	RETURN AIR (CFM)	EXHAUST AIR (CFM)	Zone Ventilation Efficiency	Corrected OSA CFM	AIR SYSTEMS	
	Az	Pz	Rp	Ra	Vbz	Ez	Voz	Vpz	Zp			Evz			
FAMILY ROOM 132	724	30	22	7.5	0.06	208	0.8	261	1000	0.26	1000	0	1.00	260.55	FC-6
<b>TOTAL</b>	<b>724</b>		<b>22</b>			<b>208</b>		<b>261</b>	<b>1000</b>		<b>1000</b>	<b>0</b>	<b>1.00</b>	<b>261</b>	
				<b>CORRECTED TOTAL OUTDOOR AIR FLOW RATE</b>				<b>261</b>	<b>CFM</b>	<b>Corrected OSA Fractio</b>	<b>Zs =</b>	<b>0.26</b>			

**VENTILATION AIR SCHEDULE - FC-7**

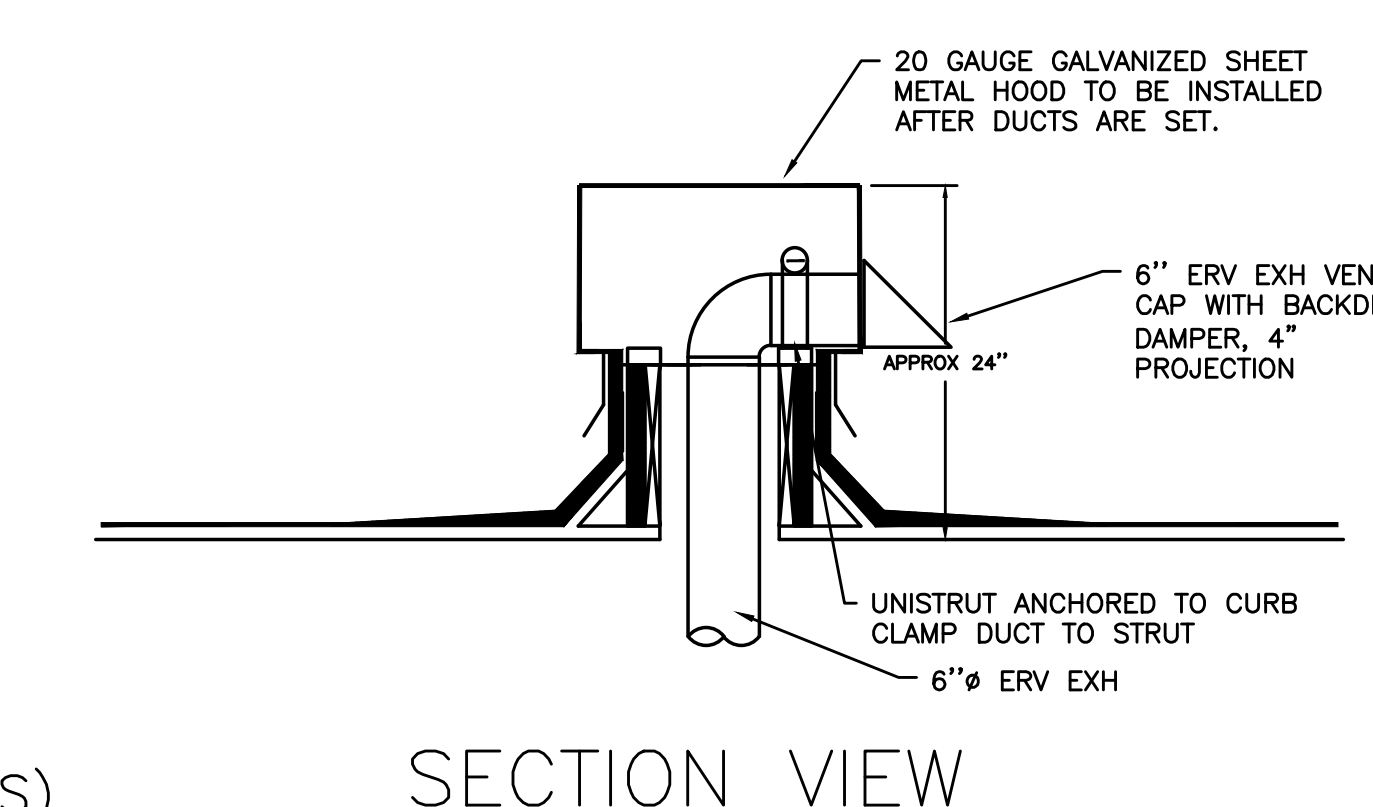
ROOM NUMBER AND NAME	AREA (SQ. FT.)	OCCUPANT LOAD (#/1000 SQ. FT.)	NUMBER OF OCCUPANTS	OUTSIDE AIR REQUIREMENT (CFM/PP)	OUTSIDE AIR REQUIREMENT (CFM/SQ.FT.)	OUTSIDE AIR REQUIRED (CFM)	ZONE OSA (CFM)	SUPPLY AIR (CFM)	PRIMARY OSA FRACTION	RETURN AIR (CFM)	EXHAUST AIR (CFM)	Zone Ventilation Efficiency	Corrected OSA CFM	AIR SYSTEMS	
	Az	Pz	Rp	Ra	Vbz	Ez	Voz	Vpz	Zp			Evz			
MEETING 133	490	50	25	5	0.06	154	0.8	193	1000	0.19	1000	0	1.00	193.00	FC-7
<b>TOTAL</b>	<b>490</b>		<b>25</b>			<b>154</b>		<b>193</b>	<b>1000</b>		<b>1000</b>	<b>0</b>	<b>1.00</b>	<b>193</b>	
				<b>CORRECTED TOTAL OUTDOOR AIR FLOW RATE</b>				<b>193</b>	<b>CFM</b>	<b>Corrected OSA Fractio</b>	<b>Zs =</b>	<b>0.19</b>			



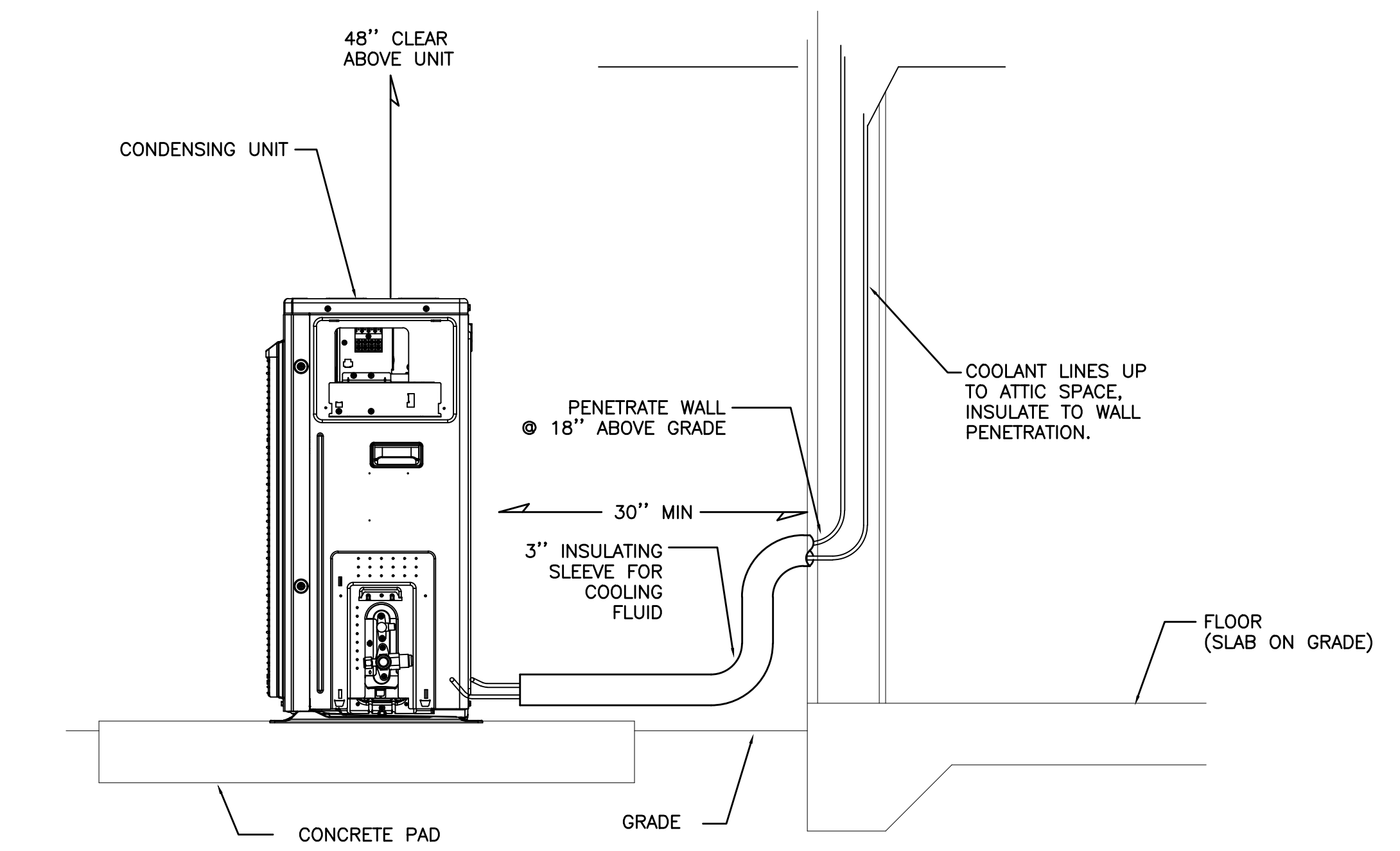
**1 DUCTED FAN COIL**  
 M6.01 SCALE: DETAIL



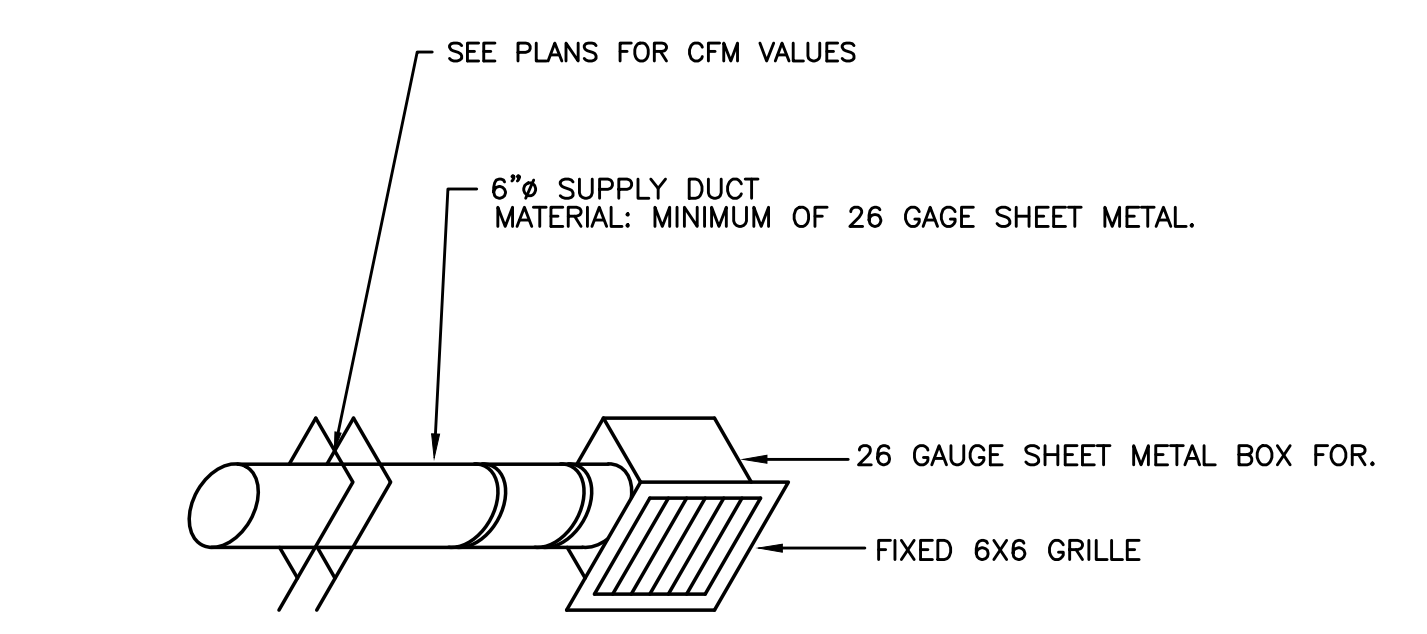
**2 TYPICAL ROOFTOP OUTLET HOOD**  
 M6.01 NOT TO SCALE



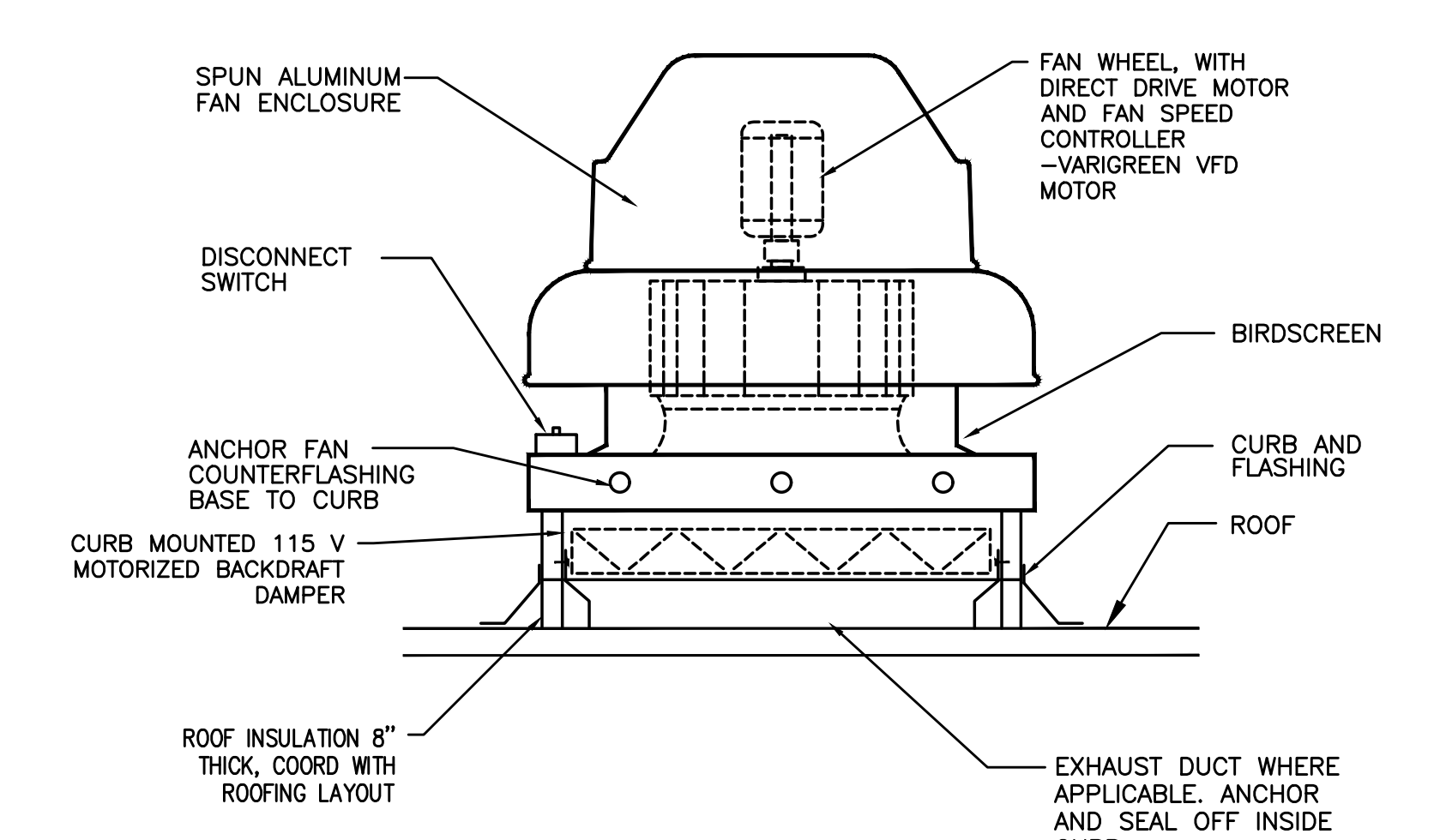
**SECTION VIEW**



**3 HEAT PUMP PAD MOUNT**  
 M6.01 SCALE: DETAIL



**4 CEILING DIFFUSER/GRILLE**  
 M6.01 NOT TO SCALE



**5 ROOF EXHAUST FAN**  
 M6.01 DETAIL